

CAVIST.

Instruction manual
Manuel d'utilisation
Gebrauchsanweisung
Gebruiksaanwijzing
Manual de Usuario
Manuale d'uso

48

CAVIST48

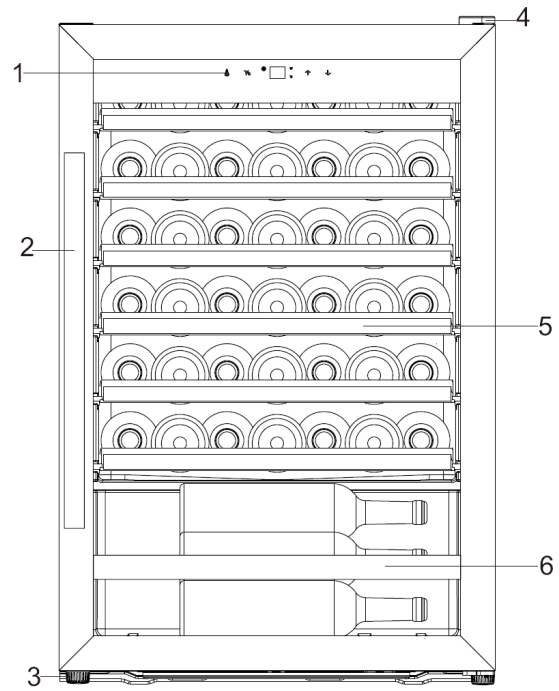
Wine cellar - 48 bottles
Cave à vin – 48 bouteilles
Weinkeller - 48 Flaschen
Wijnkelder - 48 flessen
Cantina - 48 bottiglie
Bodega - 48 botellas



ENGLISH

NAMES OF THE PARTS

1. Electronic Control Panel
2. Stainless Steel Handle
3. Adjustable Feet
4. Hinge Cover
5. Wooden Shelves
6. Wine Bottle Guard Bar



SPECIFICATIONS

	Volume (liter)	130L
Material	Case	Iron
	Door	Glass
Unit Dimension(W×D×H)(mm)		550*570*835mm
Packaging Dimension (W×D×H)(mm)		580*590*850mm
Net Weight (Kg)		30 KG
Gross Weight (Kg)		33.5 KG
Fitting ambient temperature range of working		≤32°C
Temperature Range		4°C-18°C
Rated Voltage		220-240V AC
Rated Frequency		50Hz
Input power		85W

IMPORTANT SAFETY INSTRUCTIONS

⚡WARNING⚡

To reduce the risk of fire, electrical shock, or injury when using your appliance, follow these basic precautions:

Read all instructions before using the wine cooler.

- DANGER or WARNING: Risk of child entrapment.
- To avoid the possibility of child entrapment, please take the following precautions before throwing out the wine cooler.
 - Remove all doors from the unit.
 - Leave the shelves in place so that children may not easily climb inside.
 - Never allow children to operate, play with, or crawl inside the wine cooler.
 - Children should be supervised to ensure that they do not play with the appliance. Keep the mains cord out of the reach of children. Do not let the mains cord hang over the edge of the table or worktop on which the appliance stands.
- This appliance is not intended for use by persons (including children) with reduced physical, sensory or mental capabilities, or lack of experience and knowledge, unless they have been given supervision or instruction concerning use of the appliance by a person responsible for their safety.
- Do not use the appliance if the plug, the mains cord or the appliance itself is damaged. If the mains cord is damaged, you must have it replaced by the manufacturer, or an authorized service centre or similarly

qualified persons in order to avoid a hazard.

- Refrigerants: All refrigeration products contain refrigerants, which under the guidelines of federal law must be removed before disposal of product. It is the consumer's responsibility to comply with local regulations when disposing of this product. Never clean wine cooler parts with flammable fluids. The fumes can create a fire hazard or explosion.
- Do not store or use gasoline or any other flammable vapors and liquids in the vicinity of this or any other appliance. The fumes can create a fire hazard or an explosion.
- This appliance is intended to be used in household and similar applications such as:
 - staff kitchen areas in shops, offices and other working environments;
 - farm houses and by clients in hotels, motels and other residential type environments;
 - bed and breakfast type environments;
 - catering and similar non-retail applications.
- Cleaning and maintenance should not be carried out by children unless they are at least 8 years of age and are supervised by an adult.
- When using electrical equipment, safety precautions must always be taken to prevent the risk of fire, electric shock and/or injury in the event of misuse.
- The device must not be used if it has been dropped, it obvious signs of damage are visible or if it has leaks.
- Please keep this document at hand and give it to the future owner in case of transfer of your device

INSTALLATION INSTRUCTIONS

Before Using Your Wine Cooler

Remove the exterior and interior packing.

Before connecting the wine cooler to the power source, let it stand upright for approximately 4 hours. This will reduce the possibility of a malfunction in the cooling system from improper handling during transportation. Clean the interior surface with lukewarm water using a soft cloth. (Cleaning instruction on page 9)

Installing Your Wine Cooler

This wine cooler is designed to be free standing only, and should not be recessed or built-in. Allow **5 inches** of space between the back and sides of the wine cooler, which allows the proper air ventilation. Adjust the feet to keep the wine cooler level. Locate the wine cooler away from direct sunlight and sources of heat (stove, heater, radiator, etc.). Direct sunlight may affect the acrylic coating and heat sources may increase electrical consumption. Ambient temperature below 5°C or above 32°C will hinder the performance of this appliance.

This unit is not designed for use in a garage or any other outside installation.

Avoid locating the wine cooler in moist areas.

Plug the wine cooler into dedicated, properly installed-grounded wall outlet. Do not under any circumstances cut or remove the third (ground) prong from the power cord. Any questions concerning power and/or grounding should be directed toward a certified electrician or an authorized service center.

This unit is not designed to be installed in an RV or used with an inverter.

After plugging the wine cooler into a wall outlet, turn the unit on and allow the unit to cool down for 3 ~ 4 hours under before placing wine bottles or beverages in the appliance.

WARNING: Keep ventilation openings in the appliance enclosure, clear of obstruction.

ELECTRICAL CONNECTION

⚡WARNING⚡

Improper use of the grounded plug can result in the risk of electrical shock. If the power cord is damaged, have it replaced by an authorized service center.

This wine cooler should be properly grounded for your safety. The power cord of this wine cooler is equipped with a three-prong plug which mates with standard three prong wall outlets to minimize the possibility of electrical shock.

Do not, under any circumstances, cut or remove the third ground prong from the power cord supplied. This wine cooler requires a standard 220-240 Volt AC~50Hz electrical outlet with three-prong ground.

This wine cooler is not designed to be used with an inverter.

The cord should be secured behind the wine cooler and not left exposed or dangling to prevent accidental injury.

Never unplug the wine cooler by pulling the power cord. Always grip the plug firmly and pull straight out from the receptacle.

Do not use an extension cord with this appliance. If the power cord is too short, have a qualified electrician or service technician install an outlet near the appliance. Use of an extension cord can negatively affect the performance of the unit.

Do not use electrical appliances inside the food storage compartments of the appliance, unless they are of the type recommended by the manufacturer.

Do not store explosive substances such as aerosol cans with a flammable propellant in this appliance.

WARNING: Do not damage the refrigerant circuit.

OPERATING YOUR APPLIANCE

Temperature Control

Control Panel

The control panel is located at the top of the door.



LIGHT BUTTON

To turn the inner light on or off.

TEMPERATURE SET BUTTON(UP BUTTON)

Used to increase (warm) the set temperature by 1°C or 1°F.

TEMPERATURE SET BUTTON(DOWN BUTTON)

Used to lower (cool) the set temperature by 1°C or 1°F.

SELECTOR DISPLAY

Choose to display temperatures in Celsius or Fahrenheit.

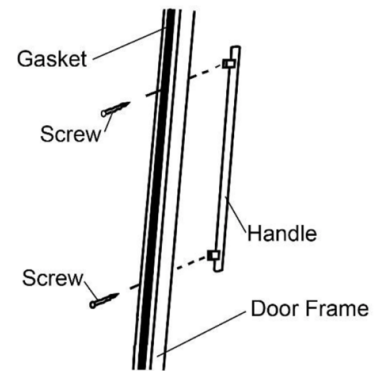
SELECT THE TEMPERATURE

Your wine cellar has one single compartment. The temperature can be chosen between 4°C and 18°C (39° and 65°F). It is recommended to set the temperature in the lower of 12°C to 18°C (55-64°F) range which is ideal for storing red wines and to adjust to between 4 and 12°C (39-55°F) range suitable for champagnes and white wines.

HANDLE INSTALLATION

To install the door handle follow the below steps:

1. Open the door of the appliance and move the door gasket slightly to one side so that you can see two designated holes for handle installation
2. Install the handle tightly as shown in the diagram above with the two screws provided.
3. Ensure the door gasket falls back into place and that the door opens and closes correctly.



DESCRIPTION OF THE PRODUCT FEATURES

1) Control panel

- The control panel is located at the top of the appliance, it is very easy to set the temperature of the appliance and see what temperature the appliance is set to.

2) Interior light

- The wine cooler has an interior light. The light can be switched on and off by using the light control button.

3) The wine cooler shelves

- The shelves are fully adjustable to suit various wine bottle shapes and sizes.
- To prevent damaging the door gasket, make sure the door is fully open when pulling shelves out of the rail compartment.

For easy access to the bottles stored, pull the shelves out approximately 1/3. The shelves are designed with an emergency stop to prevent them being removed too far when loaded.

USING YOUR WINE COOLER

Before switching on

- Make sure that it has been installed by a suitably qualified person, as per the information contained in the installation instructions.
- After delivery, wait for four hours before connecting the appliance to your mains supply. This will allow any refrigerant gasses that may have been disturbed during the transportation process to settle.
- The outside of the appliance and the removable accessories contained within it, should be cleaned with a solution of liquid detergent and water.
- The interior of the appliance should be cleaned with a solution of sodium bicarbonate dissolved in lukewarm water. The interior and accessories should be thoroughly dried, after the cleaning process has been completed.
- There can be an odour when you first switch on the appliance. It will lessen as the appliance starts to cool.

During first use

IMPORTANT: When you use the wine cooler for the first time or restart the appliance after it has been turned off for a long time, there could be a few degrees variance between the temperature

you select and the one indicated on the LED display. This is normal and it is due to the length of activation time. Once the wine cooler has been running for a few hours everything will be back to normal.

- When you first switch on the appliance, the compressor will run continuously until the wine cooler reaches a cool enough temperature.
- During this period of time, you should try not to open the door frequently or place bottles inside of the appliance.
- If the unit is switched off or unplugged, you must allow at least 5 minutes before restarting the appliance or reconnecting it to your mains supply.

Loading the wine cooler



IMPORTANT: *Your appliance is ideally suited to store 0.75 litre Bordeaux style wine bottles. Whilst it can store larger bottles, you must make sure that they do not prevent the door from shutting properly.*

- Always check that you can close the door without it fouling on a wine bottle, before shutting it.
- When loading several bottles of wine at once, it will take longer for the appliance to cool the individual bottles.
- As many bottles may differ in size and dimensions, the actual number of bottles you are able to store may vary.
- The maximum storage number is based on standard 0.75 litre Bordeaux style wine bottles.

Storing your wines

The chart below indicates the ideal storage temperatures for different types of wine:-

Type of wine	Temperature (Celsius)	Temperature (Fahrenheit)
Red wine	15 – 18°C	58 – 65°F
White wine	9 - 14°C	48 – 79°F
Sparkling wines/champagne	4 – 8°C	39 – 47°F

- Temperature stability is the most important factor when it comes to storing wine.
- Exposure to light, vibrations or fluctuations in temperature and humidity can all cause wine to spoil. When properly stored, wines not only maintain their quality but many will actually improve in aroma, flavour and complexity as they mature.
- Wines kept at a higher temperature will age faster. Wine that is exposed to temperatures that are greater than 18°C (64°F) will suffer from poorer flavour and aroma.
- If wine is kept at too low a temperature, this can result in the development of harmful deposits. A humidity of 60%~70% is ideal for keeping corks from shrinking.
- After a bottle of wine has been opened, the wine comes into contact with air. So it is best to store the remainder of the bottle upright, to minimize the surface area of the wine that is coming into contact with the air.
- Once opened, wine will remain in a drinkable condition for two days for delicate whites or three days for rich reds, as long as the bottle has been resealed. You should make sure that the seal is firm by checking the stopper.

- Special stoppers that keep wine sparkling and Champagne bubbling for one or two days after opening, can be bought at most good wine shops.
- When stored correctly, white wines can keep well for up to two years. Full bodied reds will age well for ten years and dessert wines will age well for up to twenty years.
- When you buy a bottle of wine, you should transfer it to a suitable storage location immediately (if you are not going to store it in your wine cooler).
- Cheaper bottles of wine will not age as well as more expensive ones.
- To make the most of the bouquet and taste of your wine, never fill more than half a glass at a time. It will also help if the shape of your wine glass is appropriate for your wine. The size and shape of your wine glass's bowl will determine the intensity and complexity of the bouquet. The stem should be long enough to allow you to avoid hand contact with the bowl of the glass and should be tulip-shaped or tapered at the top.

CARE AND MAINTENANCE

Cleaning Your Appliance

- ★ Upon installation of your new appliance, it is recommended that it be cleaned thoroughly.
- ★ Turn off the wine cooler first and then unplug the unit from the wall outlet.
- ★ Remove all contents.
- ★ Wash the inside with a damp warm cloth soaked in lukewarm water and baking soda solution. The solution should be about 2 tablespoons of baking soda to a quart of water.
- ★ Be sure to keep the door gasket (seal) clean to keep the unit running efficiently.
- ★ The outside of the wine cooler should be cleaned with mild detergent and warm water.
- ★ Dry the interior and exterior with a soft cloth.
- ★ Dust or anything else blocking the vent may hinder the cooling efficiency of the appliance. Vacuum the vent if necessary.

Vacation Time

- ★ Turn off the wine cooler first and then unplug the unit from the wall outlet.
- ★ Remove all the contents.
- ★ Clean the appliance.
- ★ Leave the lid open slightly to avoid possible formation of condensation, mold, or odors.
- ★ Short vacations: Leave the wine cooler operating during vacations of less than three weeks.
- ★ Long vacations: If the wine cooler will not be used for several months, remove all content and unplug the power cord. Clean and dry the interior thoroughly. To prevent odor and mold growth, leave the door open slightly: blocking it open if necessary.

Moving Your Appliance

- ★ Turn off the wine cooler first and then unplug the unit from the wall outlet.
- ★ Remove all the contents.
- ★ Securely tape down all loose items inside your appliance.
- ★ Tape the doors shut.

Energy Saving Tips

- ★ The wine cooler should be located in the coolest area of the room, away from heat producing appliances or heating ducts, and out of the direct sunlight.
- ★ Ensure that door is properly closed when the wine cooler is turned on.

TROUBLESHOOTING GUIDE

You can solve many common wine cooler problems easily, saving you the cost of a possible service call. Try the suggestions below to see if you can solve the problem before calling for service.

PROBLEM	POSSIBLE CAUSE
Wine cooler does not operate.	Not plugged in. The circuit breaker tripped or a blown fuse.
Temperature inside the wine cooler is too warm.	Temperature control is set too warm. Turn the control to a cooler setting and allow several hours for the temperature to stabilize. Door is kept open too long or is opened too frequently. Warm air enters the wine cooler every time the door is opened. Open the door less often. The door is not closed completely. The door gasket does not seal properly. The wine cooler has recently been disconnected for a period of time. 4 hours are required for the wine cooler to cool down completely.
Temperature inside the wine cooler is too cold.	Temperature control is set too cold. Turn the control to a warmer setting and allow several hours for the temperature to stabilize.
Vibrations.	Check to assure that the wine cooler is on a level surface. The wine cooler is touching the wall. Re-level the wine cooler and move it from the wall. If continued vibration occurs, turn off the wine cooler and unplug the power plug. Contact Customer Service Dept. for further assistance.
Moisture forms on inside wine cooler walls.	Door is slightly open. Door is kept open too long, or is opened too frequently. Open the door less often. The door is not sealed properly.
Moisture forms on outside of appliance.	Door is slightly open, causing cold air from inside the wine cooler to meet warm moist air from outside.
The door will not close properly.	The wine cooler is not on a level surface. The gasket is dirty.

ENVIRONMENT

CAUTION:

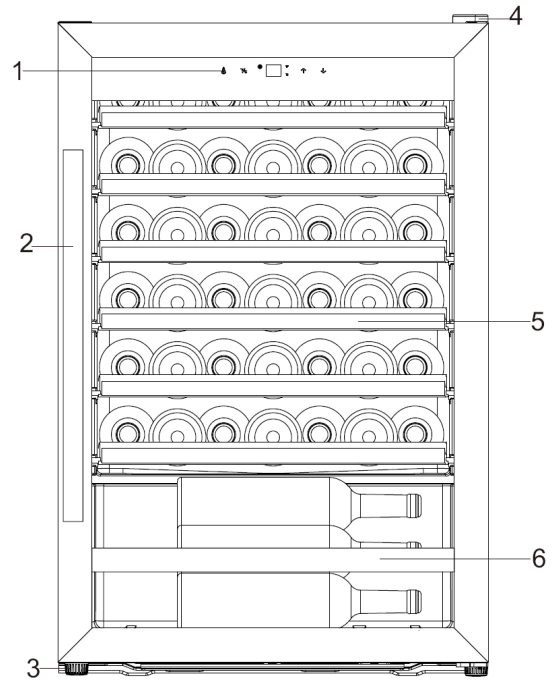


Do not dispose of this product as it has with other household products. There is a separation of this waste product into communities, you will need to inform your local authorities about the places where you can return this product. In fact, electrical and electronic products contain hazardous substances that have harmful effects on the environment or human health and should be recycled. The symbol here indicates that electrical and electronic equipment should be chosen carefully, a wheeled waste container is marked with a cross.

FRANÇAIS

NOMS DES PIÈCES

1. Panneau de contrôle électronique
2. Poignée en Acier Inoxydable
3. Pieds Réglables
4. Couverture de la Charnière
5. Étagères en Bois
6. Barre de Protection des Bouteilles De Vin



SPÉCIFICATIONS

	Volume (litres)	130L
Matériaux	Boîtier	Fer
	Porte	Verre
	Dimensions de l'unité (L×P×H)(mm)	550*570*835mm
	Dimension de L'Emballage (L×P×H)(mm)	580*590*850mm
	Poids Net (Kg)	30 KG
	Poids Brut (Kg)	33.5 KG
	Échelle de température ambiante pour un bon fonctionnement	≤32°C
	Échelle de température	4°C-18°C
	Tension Nominale	220-240V AC
	Fréquence Nominale	50Hz
	Alimentation électrique	85W

MESURES DE SÉCURITÉ IMPORTANTES

⚡ AVERTISSEMENT ⚡	Vous devriez prendre ces précautions élémentaires, afin d'éviter les chocs électriques, les blessures ou les accidents.
<p>Lisez toutes les instructions avant d'utiliser la cave de mise en température</p> <ul style="list-style-type: none">○ DANGER ou AVERTISSEMENT : Risque d'emprisonnement des enfants○ Afin d'empêcher les enfants de s'enfermer dans cet appareil, veuillez prendre les précautions suivantes.<ul style="list-style-type: none">- Enlevez toutes les portes de l'appareil- Laissez les étagères en place, afin d'empêcher les enfants de grimper à l'intérieur- Ne permettrait jamais aux enfants de jouer avec l'appareil ou de grimper à l'intérieur.- Les enfants doivent être surveillés, afin de les empêcher de jouer avec cet appareil. Ils ne doivent pas jouer avec le cordon d'alimentation, et ce dernier ne doit pas dépasser du report de la table ou du plan de travail sur lequel se trouve l'appareil.○ Cet appareil ne peut être utilisé par des enfants ou par des personnes qui ont un handicap physique, mental ou sensoriel, ou qui n'ont pas d'expérience et de connaissances en la matière, sauf s'ils sont instruits sur son utilisation par une personne qui est responsable de leur sécurité.○ Il ne faut pas utiliser cet appareil s'il est endommagé, ou si le cordon d'alimentation et la prise ne sont pas en bon état. Si le cordon d'alimentation est endommagé, il doit être remplacé par les fabricants, les agents de service ou toute autre personne	

qualifiée, et ceci vous permettra d'éviter les accidents.

- Le réfrigérants : tous les produits de réfrigération contiennent des réfrigérants, et selon la loi fédérale, ils doivent être enlevés avant de se débarrasser de l'appareil. Le consommateur doit respecter les règlements locaux lorsqu'il se débarrasse de son appareil. Il ne faut jamais nettoyer les pièces de la cave de mise en température à l'aide de liquides inflammables, car ceci peut causer un incendie ou une explosion.
- Il ne faut jamais ranger ou utiliser de l'essence (ou d'autres vapeurs et liquides inflammables) à côté de n'importe quel appareil ; en effet, ceci peut causer un incendie ou une explosion.
- Le nettoyage et l'entretien par l'utilisateur ne doivent pas être effectués par des enfants, à moins qu'ils ne soient âgés de plus de 8 ans et qu'ils soient sous la surveillance d'un adulte.
- Lors de l'utilisation d'appareils électriques, des précautions de sécurité doivent toujours être prises pour prévenir tout risque d'incendie, de choc électrique et/ou de blessure en cas de mauvaise utilisation.
- L'appareil ne doit pas être utilisé s'il a chuté, s'il y a des signes visibles de dommages ou en cas de fuite
- Veuillez conserver ce document à disposition et le remettre au futur propriétaire en cas de cession de votre appareil

○ **Cet appareil est destiné aux domiciles ou aux endroits similaires, tels que:**

- Dans les cuisines réservées aux employés de magasins, de bureaux, etc.
- Dans les fermes, et par les clients d'hôtels, d'auberges ou d'autres environnements résidentiels ;
- Dans les maisons d'hôte;
- Dans la restauration et les lieux non-commerciaux

- Rangez ces instructions soigneusement -

POUR L'INSTALLATION

Avant l'utilisation de votre cave de mise en température

Enlevez les emballages intérieurs et extérieurs

Avant de connecter la cave de mise en température à la prise électrique, laissez-le debout pendant environ 4 heures. Ceci réduira les possibilités de mauvais fonctionnement du système de refroidissement après le transport. Nettoyez la surface intérieure de l'appareil avec un chiffon doux imbibé d'eau chaude (lisez les instructions de nettoyage qui se trouve en page 9)

L'installation de la cave de mise en température

Cet appareil doit être installé par lui-même et ne doit pas être intégré dans une autre structure. Prévoyez un espace de **5 pouces** entre l'arrière et les côtés de la cave de mise en température, afin de permettre à l'air de circuler librement. Réglez les pieds afin de niveler la cave de mise en température. N'exposez pas votre appareil aux rayons du soleil ni à des sources de chaleur (cuisinière, radiateur, etc.). Le soleil peut affecter la couche acrylique de l'appareil, et les autres sources de chaleur peuvent augmenter la consommation d'électricité. Si la température ambiante est inférieure à 5°C ou supérieures à 32°C, ceci affectera la performance de l'appareil.

Cet appareil ne doit pas être utilisé dans un garage ou à l'extérieur

Ne placez pas votre cave de mise en température dans un endroit humide.

Branchez l'appareil dans une prise de mise à la terre qui a été installée correctement, Il ne faut jamais enlever ou couper la troisième douille qui fait partie du cordon d'alimentation. Si vous avez des questions à ce sujet, vous devez en parler à un électricien qualifié ou à un centre de services agréé.

Cet appareil ne doit pas être installé dans une caravane, ou utilisé avec un onduleur.

Après avoir branché la cave de mise en température à une prise murale, allumez l'appareil et permettez-lui de refroidir durant 3-4 heures avant d'y ranger le vin et d'autres boissons.

AVERTISSEMENT: la ventilation de l'appareil ne doit être obstruée par aucun objet

Connexion électrique

⚡ AVERTISSEMENT ⚡

Si la prise de mise à la terre n'est pas utilisée correctement, ceci peut provoquer un choc électrique. Si le cordon d'alimentation est endommagé il doit être remplacé par une personne qualifiée

Cette cave de mise en température doit être mise à la terre correctement, afin d'assurer votre sécurité. Le cordon d'alimentation est équipé d'une prise à trois douilles qui est compatible avec une prise murale du même genre, et ceci permet d'éviter le choc électrique.

Il ne faut jamais enlever ou couper la troisième douille qui fait partie du cordon d'alimentation.

La cave de mise en température a besoin d'une prise électrique de 220-240 Volts AC~50Hz qui est munie de trois douilles.

La cave de mise en température ne doit pas être utilisée avec un onduleur.

Le cordon d'alimentation doit être placé derrière la cave de mise en température et ne doit pas être exposée, afin d'éviter les accidents et les blessures.

Ne débranchez jamais l'appareil en tirant sur la prise. Tenez toujours la prise fermement, et débranchez-la directement du réceptacle.

N'utilisez pas de rallonge électrique avec cet appareil. Si le cordon d'alimentation est trop court, appelez un technicien qualifié qui vous aidera à installer une prise à côté de l'appareil. Si vous utilisez une prise, cela peut avoir un mauvais effet sur la performance de l'appareil

Ne rangez pas d'appareils électroménagers à l'intérieur des compartiments de l'appareil, à moins que ceci soit approuvé par les fabricants.

Ne rangez pas de substances explosives (telles que des bombes aérosols équipées d'un propulseur dans cet appareil.

AVERTISSEMENT: N'endommagez pas le circuit réfrigérant.

L'UTILISATION DE VOTRE APPAREIL

Contrôle de la température

Panneau de contrôle

Le panneau de contrôle est situé en haut de la porte



BOUTON DE LA LUMIÈRE

Ce bouton sert à allumer et à éteindre la lumière.

BOUTON POUR RÉGLER LA TEMPÉRATURE (BOUTON DU HAUT) ↑

Ce bouton est utilisé pour augmenter (réchauffer) la température indiquée par 1°C au 1°F.

BOUTON POUR RÉGLER LA TEMPÉRATURE (BOUTON DU BAS) ↓

Ce bouton est utilisé pour diminuer (rafraîchir) la température indiquée par 1°C ou 1°F.

AFFICHAGE DU SÉLECTEUR °F/°C

Vous pouvez sélectionner la température en degrés Celsius ou Fahrenheit.

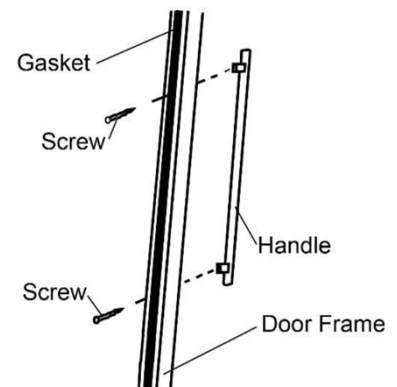
SÉLECTIONNEZ LA TEMPÉRATURE

Votre cave de mise en température ne dispose que d'un compartiment. La température peut varier entre 4°C et 18°C (39° et 65°F). Il est préférable de régler la température entre 12°C et 18°C (55-64°F), afin de pouvoir ranger les bouteilles de vin rouge, et cette température peut être ajustée entre 4 et 12°C (39-55°F), afin de ranger le vin blanc et le champagne.

INSTALLATION DE LA POIGNEE

Pour installer la poignée, suivez les instructions suivantes :

1. Ouvrez la porte et déplacez légèrement le joint sur le côté pour voir les deux trous de la poignée.
2. Fixez fermement la poignée selon le schéma à l'aide des deux vis fournies.
3. Vérifiez que le joint soit replacé correctement et que la porte ouvre/ferme normalement.



DESCRIPTION DES CARACTERISTIQUES DE L'APPAREIL

1) Panneau de contrôle

○ Le panneau de contrôle est situé en haut de l'appareil. Il est très facile de régler la température de l'appareil et de voir la température qui est indiquée.

2) Lumière intérieure

○ La cave de mise en température est équipée d'une lumière intérieure, qui peut être allumée en appuyant sur le bouton qui est prévu à cet effet.

3) Les étagères de la cave de mise en température

- Les étagères sont réglables, afin d'accommoder des bouteilles de toutes tailles et de toutes formes.
- Afin de ne pas endommager le joint d'étanchéité de la porte, cette dernière doit être complètement ouverte lorsque vous enlevez les étagères.
- Afin d'atteindre facilement les bouteilles, tirez sur les étagères jusqu'à ce qu'elles soient sorties à 1/3 du chemin.

L'UTILISATION DE VOTRE CAVE DE MISE EN TEMPERATURE

Avant d'allumer l'appareil

○ L'installation doit être faite par une personne qualifiée, comme il l'est expliqué dans les instructions d'installation. Après la livraison, attendez 8 heures avant de connecter l'appareil. De cette manière, tous les gaz réfrigérants auront le temps de se stabiliser.

○ L'intérieur de l'appareil et ses pièces détachées doivent être nettoyés avec du détergent liquide et de l'eau. L'intérieur de l'appareil doit être nettoyé avec une solution composée de bicarbonate de soude et d'eau chaude. L'intérieur et les accessoires doivent être séchés soigneusement après le nettoyage.

Lorsque vous allumez l'appareil pour la première fois, vous sentirez peut-être une drôle d'odeur, mais celle-ci s'estompera lors du refroidissement de votre appareil.

Durant la première utilisation

IMPORTANT: lorsque vous utilisez la cave de mise en température pour la première fois ou après un long moment, la température que vous sélectionnez diffère parfois de celle qui est indiquée sur l'affichage LED. Ne vous inquiétez pas, car tout rentrera dans l'ordre après quelques heures.

- Lorsque vous allumez l'appareil pour la première fois, le compresseur continuera à marcher jusqu'à ce que l'armoire à vin soit suffisamment refroidie.
- Durant cette période, essayez de ne pas ouvrir la porte trop souvent ou de placer des bouteilles dans l'armoire.
- Si l'appareil est débranché ou éteint, vous devez attendre au moins cinq minutes avant de le rallumer ou de le reconnecter.

Le remplissage de la cave de mise en température



IMPORTANT: votre appareil est conçu pour contenir des bouteilles de vin (style Bordeaux) de 0.75 litre. Même si vous pouvez y placer de plus grandes bouteilles, vous devez veiller à ce que la porte se ferme correctement.

- Il faut toujours fermer la porte correctement, et sans heurter les bouteilles de vin.
- Si vous y placez plusieurs bouteilles de vin en même temps, l'appareil mettra plus de temps pour refroidir les bouteilles individuelles.
- Le nombre de bouteilles que vous pouvez placer dans l'appareil dépend de leur dimension et de leur taille.
- Le nombre maximum de bouteilles est basée sur des bouteilles de vin (style Bordeaux) de 0.75 litre.

Le rangement des vins

La table ci-dessous indique les températures de rangement qui sont idéales pour différents types de vins:

Type de vin	Température (Celsius)	Température (Fahrenheit)
Vin rouge	15 – 18°C	58 – 65°F
Vin blanc	9 - 14°C	48 – 79°F
Vins pétillants/champagne	4 – 8°C	39 – 47°F

- La stabilité de la température est très importante lorsqu'il s'agit du rangement du vin.
- Si le vin est exposé à la lumière, aux vibrations ou aux fluctuations de température, il ne sera plus en bon état. Par contre, s'il est rangé correctement, il conservera sa qualité. Beaucoup de vins deviennent plus parfumés et délicieux au fur et à mesure de leur vieillissement.
- Si la température de rangement est élevée, le vin vieillit plus rapidement. Si le vin est exposé à une température qui dépasse 18°C (64°F), il perdra son parfum et sa saveur.
- Si la température de rangement est basse, ceci peut provoquer la formation de substances nocives. Un taux d'humidité de 60%~70% est idéal pour empêcher les bouchons de rapetisser.
- Après avoir une bouteille de vin, ce dernier est exposé à l'air ; ainsi, le mieux serait de ranger la bouteille debout, afin de minimiser le contact du vin avec l'air.
- Lorsque vous ouvrez une bouteille de vin, il demeure buvable durant deux jours (pour le vin blanc) ou trois jours (pour le vin rouge), du moment que la bouteille soit rebouchée. Vous devez vous assurer que la bouteille soit rebouchée correctement.
- Il existe des bouchons spéciaux qui permettent au vin de rester pétillant et au champagne de conserver ses bulles, pendant au moins un ou deux jours ; on peut acheter ces bouchons dans la plupart des boutiques de vins.
- Si le vin blanc est rangé correctement, il peut durer jusqu'à deux ans. Les vins corsés durent pendant 10 ans, et les vins de dessert peuvent durer jusqu'à vingt ans.
- Lorsque vous achetez une bouteille de vin, vous devriez la ranger immédiatement dans un endroit convenable (si vous n'avez pas l'intention de la mettre tout de suite dans votre cave de mise en température).
- Les bouteilles de vin un bon marché ne mûrissent pas aussi bien que celles qui coûtent cher.
- Afin de profiter le plus possible de votre vin, n'en buvez pas plus d'un demi-verre à la fois. Il est également préférable de choisir la forme du verre qui convient à votre vin. La taille et la forme de votre verre de vin intensifie l'intensité et la complexité du bouquet. La tige du verre doit être longue, afin que vous puissiez éviter de toucher le calice, et il devrait être également en forme de tulipe.

SOINS ET ENTRETIEN

Le nettoyage de votre appareil

★ Après l'installation de votre appareil, il est recommandé de le nettoyer soigneusement

★ Éteignez la cave de mise en température et débranchez-la

★ Enlevez toutes les bouteilles

★ Vous devez nettoyer l'intérieur de votre cave de mise en température avec une solution composée de bicarbonate de soude et d'eau chaude.

La solution doit être composée de 2 cuillerées de bicarbonate de soude et de 250 ml d'eau

- ★ La charnière de la porte (le sceau) doit être toujours propre, afin que l'appareil fonctionne correctement
- ★ L'extérieur de l'appareil doit être nettoyé à l'aide d'un détergent léger et d'eau chaude
- ★ Essuyez l'intérieur et l'extérieur à l'aide d'un chiffon doux
- ★ Si la source de ventilation est obstruée par de la poussière, cela peut rendre l'appareil moins efficace, et vous devriez utiliser l'aspirateur s'il le faut

Les vacances

- ★ Éteignez la cave de mise en température et débranchez-la
- ★ Enlevez toutes les bouteilles
- ★ Nettoyez l'appareil
- ★ Laissez le couvercle légèrement ouvert, afin d'éviter la condensation, la moisissure ou les odeurs.
- ★ Pendant de courtes vacances : vous pouvez laisser votre appareil en marche si vos vacances vont durer moins de 3 semaines
- ★ Pendant de longues vacances : si vous n'avez pas l'intention d'utiliser l'appareil pendant plusieurs mois, enlevez toutes les bouteilles, éteignez l'armoire à vin et débranchez-la. Nettoyez l'intérieur et essuyez-le soigneusement. Afin d'éviter les odeurs et la moisissure, laissez la porte entrouverte.

Le déplacement de l'appareil

- ★ Éteignez la cave de mise en température et débranchez-la
- ★ Enlevez toutes les bouteilles
- ★ Scotchez solidement toutes les pièces détachées, tels que les étagères, à l'intérieur de l'appareil

★ Scotchez la porte pour la fermer

Conseils pour économiser de l'électricité

★ La cave de mise en température doit être placée dans l'endroit le plus frais de la pièce, loin des sources de chaleur et des rayons du soleil.

★ La porte doit être fermée correctement lorsque la cave de mise en température est utilisée.

GUIDE SUR LA RÉOLUTION DES PROBLEMES

Vous pouvez facilement résoudre les petits problèmes que vous pose votre cave de mise en température, et ceci vous épargnera le coût d'une réparation.

Essayez de mettre en pratique les sujétions ci-dessous, afin de tenter de résoudre vous-même les problèmes.

LE PROBLÈME	LES CAUSES POSSIBLES
La cave de mise en température ne fonctionne pas	L'appareil n'est pas branché. Le disjoncteur ne fonctionne pas ou le fusible a grillé
La température intérieure de la cave de mise en température est trop chaude	La température choisie est trop chaude ; réglez-la, afin qu'elle soit plus froide, et attendez plusieurs heures pour que la température se stabilise La porte est ouverte trop fréquemment ou trop longtemps, ce qui permet à l'air chaud de pénétrer l'appareil. La porte n'est pas complètement fermée. La jointure de la porte n'est pas scellée correctement. L'appareil a été déconnecté récemment ; il lui faudra au moins 4 heures pour retrouver sa température normale
La température intérieure de la cave de mise en température est trop froide	La température choisie est trop froide ; réglez-la, afin qu'elle soit plus chaude, et attendez plusieurs heures pour que la température se stabilise
L'appareil se met à vibrer	Vérifiez si la cave de mise en température est nivelée. L'appareil est adossé au mur qui se trouve derrière lui, et vous devez l'éloigner du mur. Si la vibration continue, éteignez l'appareil et débranchez-le ; ensuite, contacter le département de services clients pour avoir de l'aide.
Il y a de l'humidité à l'intérieur de la cave	La porte est légèrement ouverte.

de mise en température	La porte est ouverte trop longtemps ou trop fréquemment ; ouvrez la porte moins souvent. La porte n'est pas fermée correctement
Il y a de l'humidité à l'extérieur de l'appareil.	La porte légèrement ouverte, et l'air froid qui se trouve à l'intérieur de l'appareil entre en contact avec l'air chaud qui se trouve à l'extérieur.
La porte ne se ferme pas correctement	La cave de mise en température n'est pas sur une surface nivelée. Le joint est sale.

ENVIRONNEMENT

ATTENTION :



Vous ne devez pas vous débarrasser de cet appareil avec vos déchets ménagers. Un système de collecte sélective pour ce type de produit est mis en place par les communes, vous devez vous renseigner auprès de votre mairie afin d'en connaître les emplacements.

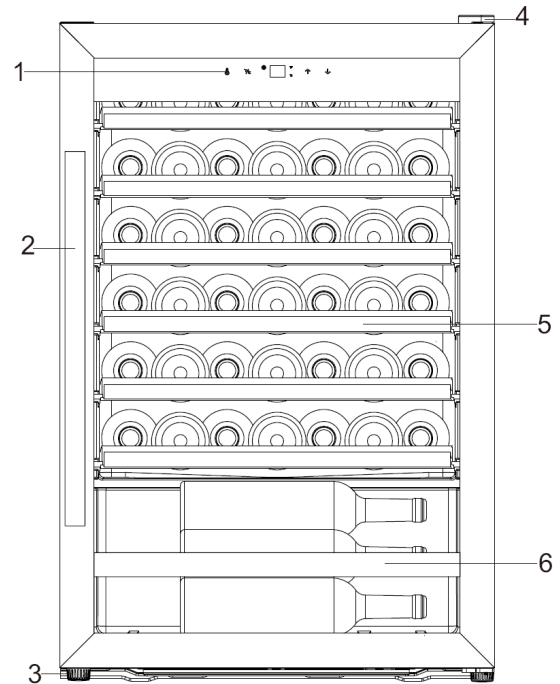
En effet, les produits électriques et électroniques peuvent contenir des substances dangereuses qui ont des effets néfastes sur l'environnement ou la santé humaine et doivent être recyclés. Le symbole ci-contre indique que les équipements électriques et électroniques font l'objet d'une collecte sélective, il représente une poubelle sur roues barrée d'une croix.

Adeva SAS / H.Koenig Europe - 8 rue Marc Seguin - 77290 Mitry Mory - France
www.hkoenig.com - sav@hkoenig.com - contact@hkoenig.com - Tél: +33 1 64 67 00 05

DEUTSCH

BEZEICHNUNG DER TEILE

1. Elektronisches Bedienfeld
2. Edelstahl-Griff
3. Einstellbare FüÙe
4. Scharnierdeckel
5. Holzregale
6. Weinflaschen-Schutzstreifen



SPEZIFIKATIONEN

	Umfang (Liter)	130L
Material	Gehäuse	Eisen
	Tür	Glas
	Geräteabmessungen (B×T×H)(mm)	550*570*835mm
	Verpackungsabmessungen (B×T×H) (mm)	580*590*850mm
	Nettogewicht (Kg)	30 KG
	Bruttogewicht (Kg)	33.5 KG
	Passender Umgebungstemperaturbereich	≤32°C
	Temperaturbereich	4°C-18°C
	Nennspannung	220-240V AC
	Nennfrequenz	50Hz
	Eingangsleistung	85W

WICHTIGE SICHERHEITSANWEISUNGEN

⚡WARNUNG⚡	Um das Risiko eines Brandes, eines Stromschlages oder Verletzungen bei der Nutzung des Gerätes zu vermeiden, folgen Sie bitte diesen grundlegenden Vorsichtsmaßnahmen:
<p>Lesen Sie alle Anweisungen, bevor Sie den Kühler benutzen.</p> <ul style="list-style-type: none">○ GEFAHR oder WARNUNG: Einklemmrisiko für Kinder. Um die Möglichkeit des Einklemmrisikos für Kinder zu vermeiden, treffen Sie bitte die folgenden Vorsichtsmaßnahmen, bevor Sie den Kühler wegwerfen.<ul style="list-style-type: none">- Entfernen Sie alle Türen vom Gerät.- Lassen Sie die Regale drin, so dass Kinder nicht so einfach dort hinein klettern können.- Erlauben Sie Kindern nie, das Gerät zu bedienen, damit zu spielen oder in den Weinkühler hineinzukriechen.- Kinder müssen beaufsichtigt werden, um sicherzustellen, dass sie mit dem Gerät nicht spielen. Bewahren Sie das Netzkabel außer Reichweite von Kindern auf. Lassen Sie das Netzkabel über die Kante eines Tisches oder einer Arbeitsplatte, auf der sich das Gerät befindet, nicht runterhängen.○ Das Gerät kann durch Personen (einschließlich Kinder) mit eingeschränkten physischen, sensorischen oder geistigen Fähigkeiten oder mangels Erfahrung und Wissen benutzt werden, wenn sie beaufsichtigt werden oder erhalten Anweisungen von einer für ihre Sicherheit zuständigen Person, wie das Gerät zu benutzen ist.○ Benutzen Sie das Gerät nicht, wenn der Stecker, das Netzkabel oder das Gerät selbst beschädigt ist. Wenn das Netzkabel beschädigt ist, muss es von dem Hersteller, einer autorisierten Werkstatt oder einer ähnlich qualifizierten Person ersetzt werden, um Gefahren zu vermeiden.○ Kältemittel: Alle Kältegeräte beinhalten Kältemittel, die laut	

der Richtlinien des Bundesgesetzes vor der Entsorgung des Gerätes entfernt werden müssen. Verbraucher sind dafür verantwortlich, bei der Entsorgung des Produkts lokale Regelungen zu befolgen. Reinigen Sie die Teile des Weinkühlers nie mit entflammbaren Flüssigkeiten. Die Dämpfe können Gefahren eines Brandes oder einer Explosion erzeugen.

- Benutzen Sie kein Benzin oder andere entzündlichen Dämpfe und Flüssigkeiten, und bewahren Sie diese in der Nähe von diesem oder jedem anderen Gerät nicht auf. Die Dämpfe können Gefahren eines Brandes oder einer Explosion erzeugen.
- Kinder dürfen das Gerät nur reinigen oder pflegen, wenn sie mindestens 8 Jahre alt sind und von einem Erwachsenen beaufsichtigt werden.
- Bei der Verwendung elektrischer Geräte sind stets Sicherheitsvorkehrungen zu treffen, um bei unsachgemäßer Verwendung die Gefahr von Bränden, elektrischen Schlägen und/oder Verletzungen zu vermeiden.
- Das Gerät darf nicht benutzt werden, wenn es fallen gelassen wurde, wenn auffällige Zeichen von Beschädigungen sichtbar sind oder wenn es undicht ist
- Bitte halten Sie dieses Dokument bereit und geben Sie es im Falle einer Übertragung Ihres Gerätes an den zukünftigen Besitzer weiter.

Dieses Gerät ist nur für die Haushaltsnutzung und gleichartigen häuslichen Anwendungen geeignet, wie zum Beispiel:

- in Küchenbereichen für Mitarbeiter in Geschäften, Büros und anderen Arbeitsumgebungen;
- in Bauerhäusern oder von den Gästen in Hotels, Motels und anderen Wohnumgebungen;
- in Bed and Breakfast- Einrichtungen;
- beim Catering und in ähnlichen Non-Retail Anwendungsbereichen.

INSTALLATIONSANWEISUNGEN

Vor der Nutzung des Weinkühlers

Entfernen Sie alle Außen- und Innenverpackungen.

Bevor Sie den Weinkühler an der Energiequelle anschließen, lassen Sie ihn für ungefähr 4 Stunden aufrecht stehen. Dies wird die Möglichkeit einer Fehlfunktion, die in dem Kühlsystem wegen unsachgemäßer Behandlung während des Transports entstehen könnte, verringern. Reinigen Sie die Außenfläche mit lauwarmen Wasser und einem weichen Tuch. (Reinigungsanweisungen auf der Seite 9)

Installation Ihres Weinkühlers

Der Weinkühler ist ausschließlich für die freie Platzierung bestimmt und darf nicht vertieft oder eingebaut werden.

Erlauben Sie **13 Zentimeter** Platz zwischen der Rückwand und Seiten des Weinkühlers, um ausreichende Belüftung zu ermöglichen. Passen Sie die Füße an, um den Weinkühler eben zu halten. Halten Sie den Weinkühler von direkter Sonnenstrahlung und Wärmequellen (Herd, Heizkörper, Radiator usw.) fern. Direkte Sonnenstrahlung kann die Acrylbeschichtung beschädigen und die Wärmequellen werden ihren Stromverbrauch erhöhen. Die Umgebungstemperatur unter 5°C oder über 32°C kann die Leistung des Gerätes behindern.

Das Gerät ist nicht dafür bestimmt, in einer Garage oder draußen installiert oder benutzt zu werden.

Installieren Sie Ihren Weinkühler nie an feuchten Stellen.

Schließen Sie den Weinkühler an einer dafür geeigneten, ordnungsgemäß installierten und geerdeten Steckdose an. Unter keinen Umständen schneiden Sie den dritten Erdungskontakt ab oder entfernen ihn aus dem Netzkabel. Alle Fragen über den Strom und/oder Erdung müssen einer Elektrofachkraft oder einem autorisierten Servicezentrum gestellt werden.

Das Gerät ist nicht dafür bestimmt, in einem Wohnmobil installiert zu werden oder mit einem Wechselrichter benutzt zu werden.

Nachdem Sie das Gerät angeschlossen haben, schalten Sie es an und erlauben Sie der Einheit 3 ~ 4 Stunden abkühlen, bevor Sie Weinflaschen oder Getränke im Gerät platzieren.

WARNUNG: Halten Sie Lüftungsöffnungen in dem Gehäuse des Gerätes frei.

ELEKTRISCHE VERBINDUNG

⚡WARNUNG⚡

Unsachgemäßer Gebrauch des Schukosteckers kann zu einem Risiko eines Stromschlages führen. Wenn das Stromkabel beschädigt ist, lassen Sie es in einem autorisierten Servicezentrum ersetzen.

Für Ihre Sicherheit muss der Weinkühler ordentlich geerdet sein. Das Stromkabel des Weinkühlers ist mit einem Drei-Zinken-Stecker ausgestattet, der zu der normalen Drei-Zinken-Steckdose passt, um die Möglichkeit eines Stromschlages zu minimieren.

Unter keinen Umständen schneiden Sie den dritten Erdungskontakt ab oder entfernen ihn aus dem Netzkabel. Der Weinkühler benötigt eine standardgemäÙe 220-240 Volt AC~50Hz Steckdose mit der Drei-Zicken- Grundlage.

Der Weinkühler ist nicht dafür bestimmt, mit einem Wechselrichter benutzt zu werden. Das Kabel muss hinter dem Weinkühler befestigt und nicht ausgesetzt und hängend gelassen werden, um unbeabsichtigte Verletzungen zu vermeiden.

Trennen Sie den Weinkühler nie vom Netz, indem Sie am Kabel ziehen. Halten Sie immer den Stecker fest, dann ziehen Sie ihn geradeaus aus der Steckerbuchse.

Benutzen Sie kein Verlängerungskabel mit dem Gerät. Wenn das Stromkabel zu kurz ist, beantragen Sie eine Elektrofachkraft oder einen Servicetechniker, eine Steckdose näher zu dem Gerät zu installieren. Nutzung des Verlängerungskabels kann die Leistung des Gerätes behindern.

Benutzen Sie keine elektrischen Geräte in dem Lebensmittel-Lagerfach des Gerätes, es sei denn sie wurden von dem Hersteller empfohlen.

Lagern Sie keine explosiven Stoffe wie zum Beispiel Aerosoldosen mit entzündlichen Treibgasen in diesem Gerät.

WARNUNG: Beschädigen Sie den Kältemittelkreislauf nicht.

BETRIEB IHRES GERÄTES

Temperaturkontrolle

Bedienfeld

Das Bedienfeld befindet sich oben an der Tür.



LICHTTASTE 

Um die Innenleuchte an- und auszuschalten.

TEMPERATUREINSTELLTASTE (UP TASTE) 

Wird benutzt, um die gewählte Temperatur um 1°C oder 1°F zu erhöhen.

TEMPERATUREINSTELLTASTE (DOWN TASTE) 

Wird benutzt, um die gewählte Temperatur um 1°C oder 1°F zu reduzieren.

SELEKTOR-DISPLAY 

Zu wählen, ob die Temperatur in Celsius oder Fahrenheit angezeigt wird.

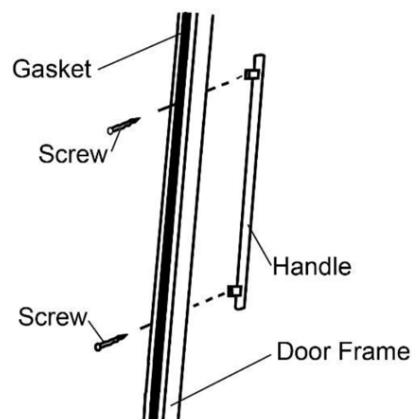
DIE TEMPERATUR ZU WÄHLEN

Ihr Weinkeller verfügt über eine Kammer. Die Temperatur kann zwischen 4°C und 18°C (39° und 65°F) gewählt werden. Es ist empfohlen, die Temperatur niedriger im Temperaturbereich von 12°C bis 18°C (55-64°F) einzustellen, da es perfekt für die Lagerung von roten Weinsorten passt, und im Bereich zwischen 4 und 12°C (39-55°F) einzustellen, der für Sekte und weiße Weinsorte geeignet ist.

GRIFF-INSTALLATION

Um den Türgriff zu installieren, folgen Sie den untenstehenden Schritten :

1. Öffnen Sie die Tür des Gerätes und schieben Sie die Türdichtung leicht zur Seite, so dass Sie zwei für die Griffinstallation geeigneten Löcher sehen.
2. Montieren Sie den Griff fest mit zwei vorhandenen Schrauben, wie es auf der Abbildung demonstriert ist.
3. Vergewissern Sie sich, dass die Türdichtung ihren Platz erneut eingenommen hat, und dass die Tür korrekt öffnet und schließt.



BESCHREIBUNG VON PRODUKTEIGENSCHAFTEN.

1) Bedienfeld

- Das Bedienfeld befindet sich oben auf dem Gerät, es ist sehr einfach, die Temperatur des Gerätes einzustellen und die eingestellte Temperatur zu sehen.

2) Innenleuchte

- Der Weinkühler verfügt über eine Innenleuchte. Die Leuchte kann an- und ausgeschaltet werden, indem Sie die Lichttaste benutzen.

3) Die Weinkühler-Regale

- Die Regale sind komplett einstellbar, um zu den verschiedenen Weinflasch-Formen und Größen zu passen.
 - Um die Beschädigung von Türdichtungen zu vermeiden, vergewissern Sie sich, dass die Tür komplett geöffnet ist, wenn Sie die Regale aus den Trageschienen rausziehen.
- Um die gelagerten Flaschen mühelos zu erreichen, ziehen Sie die Regale ungefähr 1/3 heraus. Die Regale sind mit einer Notbremse ausgestattet, damit Sie nicht zu weit rausgezogen werden können, wenn beladen.

NUTZUNG IHRES WEINKÜHLERS

Vor dem Anschalten

- Warten Sie nach der Lieferung für 4 Stunden, bevor Sie das Gerät an Ihrem Versorgungsnetz anschließen. Dies wird jeglichen Kältemittelgasen erlauben, die während des Transports gestört worden sein könnten, sich zu setzen.

- Vergewissern Sie sich, dass es von einer passend qualifizierten Person und gemäß der in der Montageanleitung angegebenen Informationen installiert worden ist.
- Das Äußere des Gerätes und das damit vorhandene abnehmbare Zubehör sollten mit einer Lösung von Flüssigwaschmittel und Wasser gereinigt werden.
- Das Innere des Gerätes sollte mit einer Lösung von Natron, das im lauwarmen Wasser aufgelöst wurde, gereinigt werden. Die Innenseite und das Zubehör sollten gründlich getrocknet werden, nachdem der Reinigungsprozess abgeschlossen wurde.
- Es kann einen Geruch geben, wenn das Gerät zum ersten Mal angeschaltet wird. Es wird nachlassen, wenn das Gerät sich abkühlt.

Beim ersten Gebrauch

WICHTIG: Wenn Sie den Weinkühler zum ersten Mal benutzen oder das Gerät, nachdem es eine lange Zeit ausgeschaltet war, neustarten, kann es ein paar Grad Unterschied zwischen der von Ihnen gewählten und der auf dem LED Display angezeigten Temperatur geben. Es ist normal und bedingt durch die Dauer der Aktivationszeit. Sobald der Weinkühler für ein paar Stunden gelaufen ist, wird alles wieder normal.

- Wenn Sie das Gerät zum ersten Mal anschalten, wird der Kompressor andauernd laufen, bis der Weinkühler eine ausreichend kühle Temperatur erreicht hat.
- Während dieses Zeitraums, versuchen Sie es, die Tür nicht zu häufig aufzumachen oder die Flaschen in dem Gerät nicht zu platzieren.
- Wenn das Gerät ausgeschaltet oder vom Netz getrennt ist, lassen Sie mindestens 5 Minuten Zeit, bevor Sie das Gerät neustarten oder es mit dem Versorgungsnetz wieder verbinden.

Beladung des Weinkühlers



WICHTIG: Ihr Gerät ist perfekt dafür geeignet, 0.75 Liter Bordeaux style Weinflaschen zu lagern. Obwohl es auch größere Flaschen lagern kann, überprüfen Sie es, ob diese das ordentliche Schließen von der Tür nicht verhindern.

- Überprüfen Sie immer, das die Tür geschlossen werden kann, ohne die Flaschen zu berühren, bevor Sie diese schließen.
- Beim Laden von mehreren Weinflaschen auf einmal wird es länger dauern, bis das Gerät die einzelnen Flaschen abgekühlt hat.
- Da die Flaschen sich in Größe und Abmessungen unterscheiden können, könnte die tatsächliche Anzahl der Flaschen, die man lagern kann, variieren.
- Die maximale Lagerungskapazität basiert auf standartmäßigen 0.75 Liter Weinflaschen.

Lagerung Ihres Weines.

Die Grafik unten bezeichnet die perfekte Lagerungstemperatur für verschiedene Weinsorten.

Weinsorte	Temperatur (Celsius)	Temperatur (Fahrenheit)
Rotwein	15 – 18°C	58 – 65°F
Weißwein	9 - 14°C	48 – 79°F
Sekte/Champagner	4 – 8°C	39 – 47°F

- Die Temperaturstabilität ist der wichtigste Faktor, wenn die Weinlagerung angeht.
- Lichtexposition, Vibrationen oder Temperatur- oder Feuchtigkeitsschwankungen können den Verderb von Wein verursachen. Bei der sachgemäßen Lagerung, werden Weinsorten nicht nur ihre Qualität aufrechterhalten, sondern auch ihr Aroma, den Geschmack und ihre Komplexität beim Reifen verbessern.
- Die Weine, die bei einer höheren Temperatur gelagert werden, altern schneller. Der Wein, der der Temperatur über 18°C (64°F) ausgesetzt ist, wird einen schlechteren Geschmack und ein ärmeres Aroma haben.
- Wenn Wein bei einer zu niedrigeren Temperatur aufbewahrt wird, kann es die Entwicklung von schädlichen Ablagerungen verursachen. Feuchtigkeit von 60%~70% ist perfekt, um die Korken vom Schrumpfen abzuhalten.
- Wenn eine Weinflasche geöffnet wurde, kommt der Wein in Kontakt mit der Luft. Es wird empfohlen, den Rest der Flasche aufrecht aufzubewahren, um die Fläche des Weines, die mit der Luft in Kontakt kommt, zu minimieren.
- Wenn geöffnet, wird der Wein einige Zeit genießbar bleiben, zwei Tage für delikate Weine und drei Tage für reiche Rotweine, solange die Flasche wieder verschlossen worden ist. Vergewissern Sie sich, dass die Plombe fest ist, indem Sie den Verschluss überprüfen.
- Spezielle Verschlüsse, die Wein spritzig und Champagner sprudelnd für einen oder zwei Tage nach der Öffnung halten, können in meisten guten Weinläden gekauft werden.
- Wenn richtig gelagert, können Weißweine bis zu zwei Jahren gut halten. Körperreiche Rotweine werden bis zu zehn Jahre alt und Dessertweine bis zu zwanzig.
- Wenn Sie eine Flasche Wein kaufen, sollten Sie sie unverzüglich an dem passenden Lagerort platzieren (wenn Sie es nicht vorhaben, diese in Ihrem Weinkühler zu lagern).
- Günstigere Flaschen Wein altern nicht so gut, wie die teureren.
- Um das Beste aus dem Bouquet und Geschmack Ihres Weines zu machen, füllen Sie das Glas nie mehr als zu Hälfte auf einmal. Die Form Ihres Glases, die zu Ihrem Wein passt, wird auch eine Rolle spielen. Die Größe und Form Ihres Weinglaskelches wird die Intensität und Komplexität des Bouquets bestimmen. Der Stiel muss lang genug sein, um den Handkontakt mit dem Kelch des Glases zu vermeiden und sollte oben tulpenförmig oder spitz zulaufend sein.

PFLEGE UND WARTUNG

Reinigung Ihres Gerätes

- ★ Nach der Montage Ihres Gerätes wird es empfohlen, es gründlich zu reinigen.
- ★ Schalten Sie den Weinkühler zuerst aus und dann trennen Sie das Gerät vom Netz.
- ★ Entfernen Sie alle Inhalte.
- ★ Waschen Sie die Innenseite mit einem feuchten, warmen Tuch, getränkt in einer Lösung von Wasser und Natron. Die Lösung sollte ungefähr aus 2 Esslöffeln Natron und einem

halben Liter Wasser bestehen.

- ★ Halten Sie die Türdichtungen sauber, damit das Gerät effizient weiterfunktioniert.
- ★ Die Außenseite des Weinkühlers sollte mit einem milden Spülmittel und warmem Wasser gereinigt werden.
- ★ Trocknen Sie die Innen- und Außenseiten mit einem weichen Tuch.
- ★ Der Staub oder etwas anderes, was die Entlüftung blockiert, kann die Kühlleistung des Gerätes behindern. Staubsaugen Sie die Entlüftung, wenn nötig.

Urlaubszeit

- ★ Schalten Sie das Gerät vorerst aus, dann ziehen Sie den Stecker aus der Steckdose.
- ★ Entfernen Sie alle Inhalte.
- ★ Reinigen Sie das Gerät.
- ★ Lassen Sie den Deckel leicht offen, um die mögliche Bildung von Kondenswasser, Schimmel oder Gerüchen zu vermeiden.
- ★ Kurzurlaub: Lassen Sie den Weinkühler im Betrieb während des Urlaubs, der weniger als drei Wochen dauert.
- ★ Langer Urlaub: Wenn der Weinkühler für ein paar Monate nicht benutzt wird, entfernen Sie alle Inhalte und ziehen Sie den Stecker. Reinigen und Trocknen Sie die Innenseite gründlich. Um einen Geruch oder Schimmelbildung zu vermeiden, lassen Sie die Tür leicht offen: wenn nötig, kann diese auch offen blockiert werden.

Umstellung Ihres Gerätes.

- ★ Schalten Sie das Gerät vorerst aus, dann ziehen Sie den Stecker aus der Steckdose.
- ★ Entfernen Sie alle Inhalte.

★ Fixieren Sie alle lose Gegenstände in Ihrem Gerät mit Klebeband.

★ Kleben Sie die Tür zu.

Energiespartipps.

★ Der Weinkühler sollte an der kühlfsten Stelle des Raums platziert werden, entfernt von Heizgeräten oder Heizkanälen, und nicht unter direkter Sonnenstrahlung.

★ Vergewissern Sie sich, dass die Tür ordentlich geschlossen ist, wenn der Weinkühler angeschaltet ist.

ANLEITUNG ZUR PROBLEMLÖSUNG

Sie können viele häufige Weinkühler-Probleme einfach lösen, und sparen dabei die Kosten des eventuellen Serviceanrufs.

Probieren Sie die Vorschläge unten aus, um zu sehen, ob Sie dieses Problem lösen können, bevor Sie den Kundendienst anrufen.

PROBLEM	MÖGLICHE URSACHE
Der Weinkühler funktioniert nicht.	Nicht angeschlossen. Der Leistungsausschalter ist ausgelöst oder die Sicherung ist durchgebrannt.
Die Temperatur in dem Weinkühler ist zu hoch.	Die Temperaturkontrolle ist zu warm eingestellt. Schalten Sie die Kontrolle auf eine kältere Einstellung um oder lassen Sie die Temperatur ein paar Stunden stabilisieren. Die Tür wurde zu lange aufgelassen oder zu häufig aufgemacht, Die warme Luft dringt in den Weinkühler ein jedes Mal, wenn die Tür geöffnet wird. Öffnen Sie die Tür nicht zu oft. Die Tür ist nicht komplett geschlossen. Die Türdichtung verschließt nicht richtig. Der Weinkühler wurde vor kurzem für eine längere Zeit abgeschaltet. 4 Stunden braucht der Weinkühler, um sich komplett abzukühlen.
Die Temperatur in dem Weinkühler ist zu kalt.	Die Temperaturkontrolle ist zu kalt eingestellt. Schalten Sie die Kontrolle auf eine wärmere Einstellung um oder lassen Sie die Temperatur ein paar Stunden stabilisieren.

Vibrationen	<p>Vergewissern Sie sich, dass der Weinkühler sich auf einer ebenen Fläche befindet.</p> <p>Der Weinkühler berührt die Wand. Nivellieren Sie den Weinkühler neu oder rücken es von der Wand.</p> <p>Wenn die Vibrationen anhalten, schalten Sie den Weinkühler aus und ziehen Sie den Stecker. Kontaktieren Sie den Kundendienst für weitere Unterstützung.</p>
Feuchtigkeit bildet sich in dem Weinkühler.	<p>Die Tür ist leicht geöffnet.</p> <p>Die Tür wurde zu lange aufgelassen oder zu häufig aufgemacht. Öffnen Sie die Tür nicht zu oft.</p> <p>Die Tür ist nicht richtig verschlossen.</p>
Feuchtigkeit bildet sich auf der Außenseite des Gerätes.	<p>Die Tür ist leicht geöffnet, was dazu führt, dass die kalte Luft aus dem Weinkühler trifft die feuchte Luft draußen.</p>
Die Tür schließt nicht richtig.	<p>Der Weinkühler befindet sich nicht auf einer ebenen Fläche. Die Dichtung ist schmutzig.</p>

UMWELT

ACHTUNG:



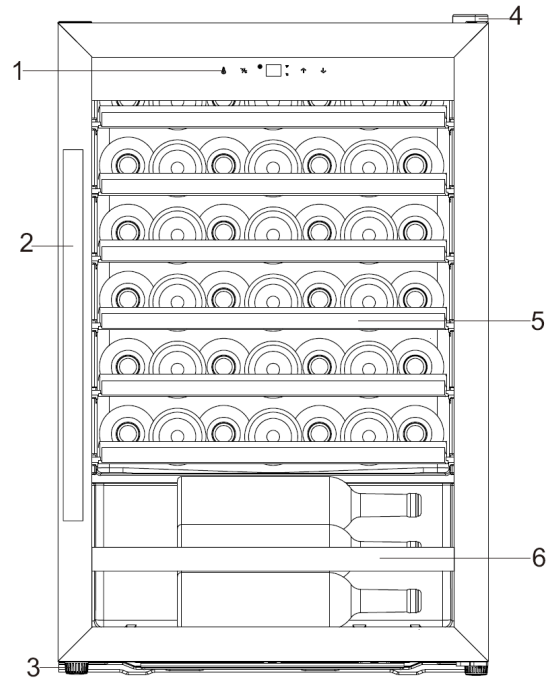
Werfen Sie nicht dieses Produkt, wie es mit anderen Haushaltsprodukten hat. Es gibt eine Mülltrennung von diesem Produkt in Gemeinden, Sie müssen Ihre lokalen Behörden über die Orte, wo man dieses Produkt zurückgeben können zu informieren. In der Tat enthalten elektrische und elektronische Produkte gefährliche Stoffe, die schädliche Auswirkungen auf die Umwelt oder die menschliche Gesundheit haben und sollte recycelt werden. Das Symbol hier darauf hinweisen, dass elektrische oder elektronische Geräte sollten sorgfältig ausgewählt werden, ist ein fahrbarer Abfallbehälter mit einem Kreuz markiert.

Adeva SAS / H.Koenig Europe - 8 rue Marc Seguin - 77290 Mitry Mory - France
www.hkoenig.com - sav@hkoenig.com - contact@hkoenig.com - Tél: +33 1 64 67 00 05

NEDERLANDS

NAMEN VAN DE ONDERDELEN

1. Elektronisch Bedieningspaneel
2. Roestvrij Stalen Handgreep
3. Verstelbare Poten
4. Scharnier Kap
5. Houten Schappen
6. Wijnfles Bescherm Beugel



SPECIFICATIES

	Volume (liter)	130L
Materiaal	Behuizing	IJzer
	Deur	Glas
	Unit Afmetingen(W×D×H)(mm)	550*570*835mm
	Verpakking Afmetingen (W×D×H)(mm)	580*590*850mm
	Net Gewicht (Kg)	30 KG
	Totaal Gewicht (Kg)	33.5 KG
	Geschikte omgevingstemperatuur om te functioneren	≤32°C
	Temperatuur Bereik	4°C-18°C
	Benodigde Voltage	220-240V AC
	Benodigde Frequentie	50Hz
	Stroomverbruik	85W

BELANGRIJKE VEILIGHEID INSTRUCTIES

⚡WAARSCHU WING⚡	Om het risico op vuur, elektrische schokken of verwondingen te beperken tijdens gebruik, volg deze standaard voorzorgsmaatregelen:
<p>Lees alle instructies door voor het gebruik van de wijnkoeler.</p> <ul style="list-style-type: none">○ GEVAAR of WAARSCHUWING: Risico op kind insluiting.○ Om de mogelijkheid op kind insluiting te vermijden, neem de volgende voorzorgsmaatregelen voordat u de wijnkoeler afvoert.<ul style="list-style-type: none">- Verwijder alle deuren van het apparaat.- Laat de schappen op hun plaats zodat kinderen er niet makkelijk in kunnen klimmen.- Laat kinderen nooit het apparaat gebruiken, mee spelen, of erin kruipen.- Hou kinderen onder toezicht, om te verzekeren dat ze niet met het apparaat spelen. Hou de stroomkabel buiten bereik van kinderen. Laat de kabel niet hangen over de rand van een tafel of aanrecht waar het apparaat op staat.○ Dit apparaat is niet bedoeld voor gebruik door personen (inclusief kinderen) met een beperkt lichamelijk, fysisch of mentale beperking, of een gebrek aan ervaring en kennis, tenzij er toezicht is of instructies zijn voor het gebruik van het apparaat door een persoon verantwoordelijk voor hun veiligheid.○ Niet het apparaat gebruiken als de stekker, stroomkabel of apparaat zelf beschadigd is. Als de stroomkabel beschadigd is, moet u deze laten vervangen door de fabrikant, een bevoegd servicemonteur of een gelijkwaardig bevoegd persoon om gevaren te vermijden.	

- Koelmiddelen: Alle koel producten bevatten koelmiddelen, die volgens de wetgeving moeten worden verwijderd voor het weggooien van dit apparaat. Het is de verantwoording van de consument om te voldoen aan de plaatselijke wetgeving bij het afvoeren van het product. Nooit onderdelen van de wijnkoeler schoonmaken met brandbare vloeistoffen. De dampen kunnen vuur of een explosie veroorzaken.
- Sla geen benzine of andere brandbare dampen of vloeistoffen in de buurt van dit of een ander apparaat. De dampen kunnen vuur of een explosie veroorzaken.
- Reiniging en onderhoud mogen niet worden uitgevoerd door kinderen tenzij ze 8 jaar of ouder zijn en onder toezicht van een volwassene staan.
- Bij het gebruik van elektrische apparatuur moeten altijd veiligheidsmaatregelen worden genomen om het risico van brand, elektrische schokken en/of letsel in geval van verkeerd gebruik te voorkomen.
- Het apparaat mag niet worden gebruikt als het is gevallen, er zijn duidelijke tekenen van schade zichtbaar of er zijn lekken.
- Bewaar dit document bij de hand en geef het aan de toekomstige eigenaar in geval van overdracht van uw apparaat.
- Dit apparaat is bedoeld voor huishoudelijk gebruik en voor dergelijke situaties zoals:
 - personeelsruimte in winkels, kantoor en andere werkomgevingen;
 - herbergen en bij cliënten in hotels, motels en andere woontype omgevingen;
 - bed & breakfast omgevingen;
 - catering en gelijkwaardige niet retail toepassingen.

INSTALLATIE INSTRUCTIES

Voordat U Uw Wijnkoeler Gebruikt

Verwijder het verpakkingsmateriaal van de buiten- en binnenkant.

Voordat u de wijnkoeler aansluit op het lichtnet, laat het eerst 4 uur rechtop staan. Dit voorkomt dat het koelsysteem storingen geeft door verkeerd vervoer. Maak de binnenkant schoon met handwarm water door gebruik van een zachte doek. (Schoonmaak instructies op pagina 9)

Installatie van Uw Wijnkoeler

Deze wijnkoeler is ontworpen voor vrijstaand gebruik, dus niet overdekt of ingebouwd.

Laat **13 centimeter** ruimte bij de achterkant en de zijkanten van de wijnkoeler, wat zorgt voor voldoende lucht ventilatie. Stel de poten zo in dat de wijnkoeler vlak staat. Plaats de wijnkoeler niet in direct zonlicht en hittebronnen (oven, verwarming, radiator, etc.). Direct zonlicht kan de acryllaag aantasten en hittebronnen kunnen het elektrisch verbruik verhogen.

Omgevingstemperaturen onder 5°C en boven 32°C tasten de prestaties van het apparaat aan.

Dit apparaat is niet ontworpen voor gebruik in een garage of ander buitengebouw.

Vermijd het plaatsen van de wijnkoeler in vochtige ruimtes.

Plaats de stekker van de wijnkoeler in een passend, juiste geïnstalleerd, geaard stopcontact. Verwijder onder geen enkele omstandigheid de derde (aarde) draad van de stroomkabel. Vragen over stroomvoorzieningen en aarde moeten worden gesteld aan een bevoegde elektricien of een bevoegde servicemonteur.

Dit apparaat is niet ontworpen voor gebruik in een camper of om te worden gebruikt met een omvormer.

Nadat de wijnkoeler is aangesloten op het lichtnet, schakel het apparaat in en laat het 3 ~ 4 koelen voor dat u wijnflessen of andere dranken in het apparaat plaatst.

WAARSCHUWING: Houd ventilatie openingen in het apparaat vrij van obstructies.

Elektrische Connectie

⚡WAARSCHUWING⚡

Onjuist gebruik van de geaarde stekker kan leiden tot een risico op een elektrische schok. Als de stroomkabel is beschadigd moet het worden vervangen door een bevoegde servicemonteur.

Deze wijnkoeler moet correct worden geaard voor uw veiligheid. De stroomkabel van de wijnkoeler is uitgerust met een stekker met 3 contacten die overeenkomt met een geaard stopcontact om het risico op elektrische schok te vermijden.

Onder geen enkele omstandigheid mag de aarde van de stroomkabel worden beschadigd of worden verwijderd.

Deze wijnkoeler benodigt een standaard 220-240 Volt AC~50Hz geaard stopcontact. De wijnkoeler is niet ontworpen voor gebruik met een omvormer.

De kabel moet veilig achter de wijnkoeler geplaatst worden en mag niet vrij liggen om verwondingen te vermijden.

Nooit de kabel van de wijnkoeler verwijderen door aan de kabel te trekken. Altijd de stekker recht uit het stopcontact trekken.

Gebruik geen verlengkabel met dit apparaat. Als de stroomkabel te kort is, laat een bevoegde elektricien of servicemonteur een stopcontact dichterbij het apparaat plaatsen. Een verlengkabel kan een negatief gevolg hebben op de prestaties van het apparaat.

Gebruik geen elektrische apparaten in de voedselruimtes van het apparaat, tenzij dit type wordt aanbevolen door de fabrikant.

Geen explosieve substantie zoals aerosol bussen met een brandbaar drijfgas in dit apparaat opslaan.

WAARSCHUWING: Niet het koelcircuit beschadigen.

BEDIENING VAN UW APPARAAT

Temperatuur Instelling

Bedieningspaneel

Het bedieningspaneel is bovenin de deur te vinden.



LICHT KNOP

Om de binnenverlichting aan of uit te schakelen.

TEMPERATUUR KNOP (OMHOOG KNOP)

Te gebruiken om de temperatuur te verhogen (warm) per 1°C or 1°F.

TEMPERATUUR KNOP (OMLAAG KNOP)

Te gebruiken om de temperatuur te verlagen (koud) per 1°C or 1°F.

KEUZE DISPLAY

Kies tussen het tonen van temperaturen in Celsius of Fahrenheit.

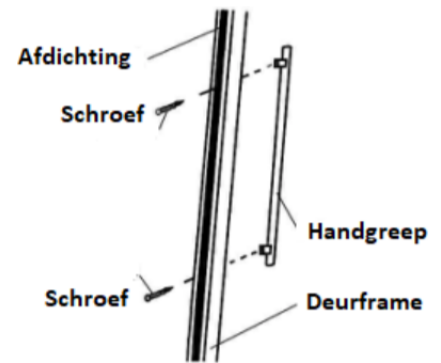
KIES DE TEMPERATUUR

Uw wijnkoeler heeft maar één compartiment. De temperatuur kan gekozen worden tussen 4°C en 18°C (39° en 65°F). Het wordt aanbevolen een temperatuur te kiezen in de 12°C tot 18°C (55-64°F), wat ideaal is voor het opslaan voor rode wijnen en 4 tot 12°C (39-55°F), wat ideaal is voor champagnes en witte wijnen.

HANDGREEP INSTALLATIE

Om de handgreep te installeren volg de volgende stappen:

1. Open de deur van het apparaat en duw de deurdichting iets aan de kant zodat u de bestemde gaten voor de handgreep installatie kunt zien.
2. Installeer de handgreep vast zoals aangegeven in het diagram hierboven met twee schroeven die zijn meegeleverd.
3. Controleer dat de deurafdichting weer op zijn plek zit en dat de deur juist opent en sluit.



BESCHRIJVING VAN DE PRODUCT VOORZIENINGEN

1) Bedieningspaneel

- Het bedieningspaneel is geplaatst bovenin het apparaat, het is eenvoudig de temperatuur van het apparaat in te stellen en om te zien welke temperatuur is ingesteld.

2) Binnenverlichting

- The wijnkloeler heeft een binnenverlichting. De verlichting kan aan- en uitgeschakeld worden met de licht knop.

3) De wijnkoeler schappen

- De schappen zijn volledig aanpasbaar voor wijnflessen met verschillende vormen en groottes.
- Om beschadiging van de deurdichting te voorkomen, controleer dat de deur helemaal open is als u schappen uit de rails haalt.

Voor makkelijke toegang tot de opgeslagen wijnflessen, haal de schappen eruit ongeveer 1/3 uit. De schappen zijn uitgerust met een noodstop om te voorkomen dat ze te ver eruit komen als ze gevuld zijn.

Uw Wijnkoeler Gebruiken

Voor het inschakelen

- Verzeker dat het geïnstalleerd is door een gekwalificeerd persoon, zoals aangegeven in de Baumatic's installatie instructies.
- Na aflevering, wacht vier uur voordat u het apparaat aansluit op het lichtnet. Dit laat de koelgassen die tijdens transport mogelijk zijn verstoord, weer tot rust komen.
- De buitenkant van het apparaat en de verwijderbare accessoires erin, kunnen schoongemaakt worden met een oplossing van een vloeibaar schoonmaakmiddel en water.
- De binnenkant van het apparaat kan worden schoongemaakt met een sopje van natrium bicarbonaat in warm water.
- De binnenkant en de accessoires moeten goed worden afgedroogd, nadat de schoonmaak is afgerond.
- Er kan een geur vrijkomen bij het eerste gebruik. Dit zal minder worden als het apparaat begint te koelen.

Tijdens eerst gebruik

BELANGRIJK: Als u de wijnkoeler voor het eerst gebruikt of opnieuw gebruikt na een lange periode uit gestaan te hebben, kan er een paar graden verschil zitten tussen de gekozen temperatuur en de aangegeven temperatuur op het LED. Dit is normaal en komt door de lengte van de activatie tijd. Als de wijnkoeler een paar uur heeft gewerkt zal alles weer normaal zijn.

- Bij het eerste gebruik van het apparaat, zal de compressor continu blijven draaien totdat de juiste temperatuur is bereikt.
- In deze periode, probeer dan niet de deur vaak te openen of flessen te plaatsen in het apparaat.
- Als het apparaat is uitgeschakeld of de stekker is los geweest, wacht dan minimaal 5 minuten voordat het apparaat opnieuw opstart of weer aansluit op het lichtnet.

Vullen van de wijnkoeler



BELANGRIJK: Uw apparaat is uitermate geschikt om 0.75 liter flessen in Bordeaux stijl op te slaan. Er kunnen ook grotere flessen in, maar controleer dan wel dat de deur dan nog goed kan sluiten.

- Altijd controleren dat de deur dicht kan zonder een fles te raken, voordat u hem daadwerkelijk dicht doet.
- Als u meerdere flessen in één keer plaatst, zal het langer duren voordat het apparaat weer op temperatuur is.
- Omdat veel flessen verschillende vormen hebben, kan het aantal mogelijke flessen die erin kunnen variëren.
- Het maximale aantal is gebaseerd op standaard 0.75 liter flessen in Bordeaux stijl.

Opslag van uw wijnen

Het schema hieronder geeft de ideale opslag temperatuur voor verschillende type wijn:-

Type wijn	Temperatuur (Celsius)	Temperatuur (Fahrenheit)
Rode wijn	15 – 18°C	58 – 65°F
Witte wijn	9 - 14°C	48 – 79°F
Bruisende wijnen/champagne	4 – 8°C	39 – 47°F

- Temperatuur stabiliteit is het belangrijkste bij opslag van wijn.
- Blootstelling aan licht, vibraties en schommelingen in temperatuur en luchtvochtigheid kunnen wijn bederven. Bij juiste opslag behouden wijnen niet alleen hun kwaliteit, maar velen zullen ook een beter aroma, smaak en complexiteit krijgen als ze rijpen.
- Wijnen die bewaard worden op een hogere temperatuur worden sneller oud. Wijn die is blootgesteld aan een temperatuur hoger dan 18°C (64°F) zal minder smaak en aroma hebben.
- Als wijn bewaard wordt op een te lage temperatuur, kan dit resulteren in de ontwikkeling van schadelijke afzettingen. Een vochtigheid van 60%~70% is ideaal voor het voorkomen van krimpende kurken.

- Als een wijnfles is geopend, komt de wijn in contact met lucht. Daarom is het het best om het overblijfsel in een rechtop staande fles te bewaren, zodat er minder contact oppervlak is met lucht.
- Eenmaal geopend, blijft de wijn drinkbaar voor twee dagen voor delicate wijnen of drie dagen voor rijke roden, zolang de fles weer gesloten wordt. Controleer dat de fles goed is afgesloten.
- Speciale doppen die bruisende wijnen en champagne bruisend laten voor één of twee dagen na opening, kunnen worden gekocht bij goede wijnwinkels.
- Indien goed opgeslagen, blijven witte wijnen goed tot twee jaar. Rijke rode wijnen rijpen goed voor tien jaar en dessert wijnen rijpen tot twintig jaar.
- Als u een fles wijn koopt, dient u het meteen te plaatsen in een geschikte opslag locatie (als u het niet gaat opslaan in uw wijnkoeler).
- Goedkopere flessen wijn rijpen niet zo goed als duurdere.
- Om alles uit de boeket en smaak van uw wijn te halen, een glas nooit voller dan halfvol inschenken. Het helpt ook als het wijnglas geschikt is voor uw wijn. De grootte en vorm van uw wijnglas zorgt voor de intensiteit en complexiteit van de boeket. De steel moet lang genoeg zijn om te vermijden dat uw hand in aanraking komt met het glas en moet tulp-vormig of taps toelopend.

ZORG EN ONDERHOUD

Schoonmaken van Uw Apparaat

★ Bij de installatie van uw nieuwe apparaat wordt het aanbevolen het grondig te reinigen.

★ Schakel de wijnkoeler eerst uit en haal de stekker uit het stopcontact.

★ Verwijder de inhoud.

★ Was de binnenkant met een vochtige doek in handwarm water met een soda oplossing.

De oplossing moet ongeveer 2 eetlepels soda op een liter water.

★ Controleer dat de dichting van de deur schoon is, zodat het apparaat efficiënt werkt.

★ De buitenkant van de wijnkoeler moet worden schoongemaakt met een mild schoonmaakmiddel en warm water.

★ Droog de binnen- en buitenkant met een zachte doek.

★ Stof of andere dingen die de ventilatieopeningen blokkeren kunnen de effectiviteit van het apparaat beïnvloeden, zuig de opening schoon indien nodig.

Vakantie Tijd

- ★ Schakel de wijnkoeler eerst uit en haal de stekker uit het stopcontact.
- ★ Verwijder de inhoud.
- ★ Maak het apparaat schoon.
- ★ Laat de deur een beetje open om condensatie, schimmel of geuren te voorkomen.
- ★ Korte vakanties: Laat de wijnkoeler in werking bij vakanties korter dan drie weken.
- ★ Lange vakanties: Als de wijnkoeler niet wordt gebruikt voor meerdere maanden, verwijder de inhoud en haal de stekker uit het stopcontact. Maak het schoon en droog de binnenkant goed af. Laat de deur een beetje open om condensatie, schimmel of geuren te voorkomen: blokkeer de deur indien nodig.

Verplaatsen van Uw Apparaat

- ★ Schakel de wijnkoeler eerst uit en haal de stekker uit het stopcontact.
- ★ Verwijder de inhoud.
- ★ Plak alle losse onderdelen in uw apparaat goed vast.
- ★ Plak de deur dicht.

Energie Besparing Tips

- ★ De wijnkoeler moet worden geplaatst op de koelste plaats in de kamer, weg bij warmte producerende apparaten of verwarmingen en buiten direct zonlicht.
- ★ Controleer dat de deur goed is gesloten als het apparaat is ingeschakeld.

PROBLEEM OPLOSSING HANDLEIDING

U kunt veel voorkomende wijnkoeler problemen makkelijk oplossen, wat u de kosten van een monteur bespaart.

Probeer de volgende suggesties hieronder voordat u hulp inroept.

PROBLEEM	MOGELIJKE OORZAAK
De wijnkoeler werkt niet.	Stekker niet in het stopcontact. Een zekering is gesprongen.
Temperatuur in de wijnkoeler is te hoog.	Temperatuur instelling staat te hoog. Stel de temperatuur lager in en geef het een paar uur tijd om de temperatuur te stabiliseren. De deur is te lang open geweest of wordt te vaak geopend. Warme lucht stroomt binnen iedere keer als de deur wordt geopend. Open de deur minder vaak. De deur is niet goed gesloten. De dichting van de deur sluit niet goed. De wijnkoeler is recent voor een langere tijd uitgeschakeld geweest. 4 uur zijn nodig om de wijnkoeler helemaal te laten koelen.
Temperatuur in de wijnkoeler is te laag.	Temperatuur instelling staat te laag. Stel de temperatuur hoger in en geef het een paar uur tijd om de temperatuur te stabiliseren.
Vibraties.	Controleer dat de wijnkoeler op een vlakke ondergrond staat. De wijnkoeler raakt de muur aan. Plaats de wijnkoeler van de muur af. Als het blijft vibreren, schakel de wijnkoeler uit en haal de stekker uit het stopcontact. Neem contact op met de klantenservice voor verdere ondersteuning.
Vocht vormt zich aan de binnenkant van de wijnkoeler.	De deur is iets geopend. De deur is te lang open geweest, of is te vaak open geweest. Open de deur minder vaak. De dichting van de deur sluit niet goed.
Vocht vormt zich aan de buitenkant van de wijnkoeler.	De deur is iets open, waardoor koude lucht van binnen het apparaat de warme, vochtige buitenlucht tegenkomt.
De deur sluit niet goed.	De wijnkoeler staat niet recht. De dichting van de deur is vies.

MILIEU

ATTENTIE:



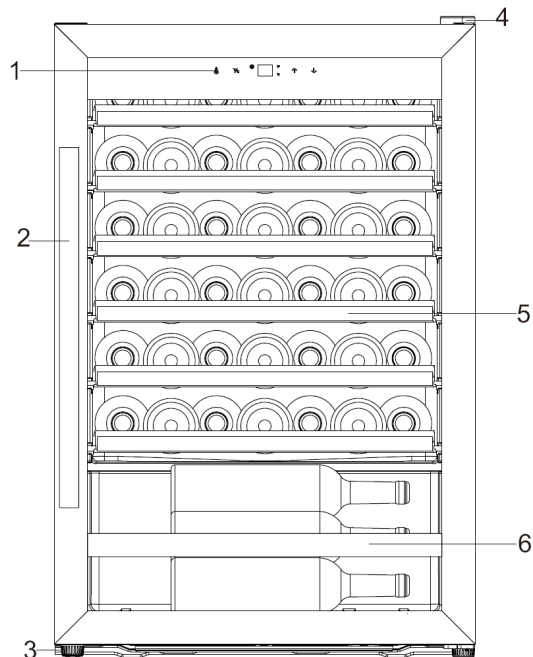
Dit apparaat mag niet met uw ander huishoudelijke toestellen worden verwijderd. Dit product moet op een geselecteerde stortplaats verwijderd worden. U kunt bij de gemeente een indiceerde plaats aanvragen. Elektrisch en elektronische producten kunnen gevaarlijke stoffen inhouden die schadelijk zijn voor mensen en het milieu en moet recycled worden. Het symbool aan de kant geeft aan dat het een elektrisch en elektronisch toestel is en zijn dus artikelen van een selectieve collectie. Het beeld geeft een afvalbak met een X teken aan.

Adeva SAS / H.Koenig Europe - 8 rue Marc Seguin - 77290 Mitry Mory - France
www.hkoenig.com - sav@hkoenig.com - contact@hkoenig.com - Tél: +33 1 64 67 00 05

ESPAÑOL

DESCRIPCIÓN DEL PRODUCTO

1. Panel de control electrónico
2. Manija de acero inoxidable
3. Peanas regulables
4. Bisagra superior
5. Botelleros de madera
6. Gaveta para botellas de vino



ESPECIFICACIONES

Volumen (litros)		130L
Material	Chasis	Hierro
	Puerta	Vidrio
Dimensiones del refrigerador (W×D×H) (mm)		550×570×835 mm
Dimensiones del embalaje (W×D×H) (mm)		580×590×850 mm
Peso neto (kg)		30 kg
Peso bruto (kg)		33.5 kg
Temperatura ambiente adecuada para instalar el refrigerador		≤ 32°C
Rango de temperatura de enfriamiento		4°C-18°C
Tensión nominal		220-240 V AC
Frecuencia nominal		50 Hz
Potencia de entrada		85 W

INSTRUCCIONES IMPORTANTES DE SEGURIDAD

⚡ ADVERTENCIA ⚡

Para reducir los riesgos de incendio, choques eléctricos o lesiones personales durante el uso de este refrigerador, siga las siguientes precauciones:

Lea todas las instrucciones antes de usar el refrigerador de vinos.

ADVERTENCIA/PELIGRO: Riesgo de que los niños queden atrapados en el interior del refrigerador.

Para evitar la posibilidad de que los niños queden atrapados en el compartimiento interior, tome las siguientes precauciones antes de desechar su refrigerador viejo.

- Retire todas las puertas del refrigerador.
- Deje los botelleros en su lugar para que los niños no se puedan adentrar en el refrigerador con facilidad.
- Nunca permita que los niños operen, jueguen o entren en el refrigerador de vinos.
- Los niños deben ser supervisados para asegurarse de que no juegan con el refrigerador desechado. Mantenga el cable de alimentación fuera del alcance de los niños. No deje que el cable de alimentación cuelgue del borde de la mesa o de la encimera en la que se encuentra instalado. Este refrigerador de vinos no está diseñado para ser usado por personas (incluyendo niños) con discapacidad física, sensorial o motora, o con falta de experiencia y conocimiento, a menos que sean supervisados o hayan sido debidamente instruidos en el uso del aparato por parte de una persona responsable de su seguridad.

No utilice el refrigerador si el enchufe, el cable de alimentación o el aparato en sí están dañados. Si el cable de alimentación está deteriorado, debe ser remplazado por

el fabricante, su personal técnico o un especialista similar para evitar riesgos potenciales.

Gas refrigerante: Todos los equipos de refrigeración contienen gases refrigerantes, que bajo las directrices de la ley federal deben ser eliminados antes de reciclar tales equipos. Es responsabilidad del consumidor cumplir con las regulaciones locales cuando vaya a descartar su unidad vieja. Nunca limpie las piezas del refrigerador de vinos con líquidos inflamables. Los vapores de estas sustancias pueden crear un riesgo de incendio o una explosión.

No guarde ni use gasolina o cualquier otro líquido inflamable cerca de este u otro electrodoméstico. Los vapores de estas sustancias pueden crear un riesgo de incendio o una explosión.

La limpieza y mantenimiento de la máquina no debe ser efectuada por niños a menos que tengan como mínimo 8 años de edad y cuenten con la supervisión de un adulto.

Al utilizar equipos eléctricos, siempre se deben tomar precauciones de seguridad para evitar el riesgo de incendio, descarga eléctrica y/o lesiones en caso de uso indebido.

El dispositivo no debe utilizarse si se ha caído, si hay signos evidentes de daño o si hay fugas.

Por favor, tenga este documento a mano y entréguelo al futuro propietario en caso de transferencia de su dispositivo

Este refrigerador está diseñado para el uso doméstico en interiores y aplicaciones domésticas similares tales como:

- Áreas de cocina en tiendas, oficinas y otros entornos de trabajo.
- A disposición de huéspedes en hoteles, moteles y otros entornos similares de tipo residencial.
- Instalaciones como posadas o pensiones.

- Centros de abastecimiento y locales similares con fines no comerciales.

Guarde bien este Manual de Instrucciones.

INSTRUCCIONES DE INSTALACIÓN

Antes de usar su refrigerador de vinos

Retire el material de embalaje por fuera y por dentro.

Antes de conectar el refrigerador de vinos por primera vez, déjelo reposar en posición vertical durante aproximadamente 4 horas. Esto reducirá la posibilidad de un malfuncionamiento en el sistema de enfriamiento debido a la posible perturbación del gas refrigerante durante la transportación. Limpie la superficie interior con agua tibia utilizando un paño suave (Instrucciones de limpieza en este Manual).

Instalación su refrigerador de vinos

Este refrigerador está diseñado solo para instalación independiente. No debe ser empotrado o incorporado en otro lugar.

Deje 5 pulgadas de espacio libre en la parte posterior y los laterales del refrigerador para permitir una ventilación adecuada. Use las peanas regulables para nivelar el refrigerador. Proteja al refrigerador de la incidencia directa de la luz solar y manténgala alejada de fuentes de calor (cocinas, estufas, radiador, etc.). La incidencia directa de la luz puede dañar el revestimiento de acrílico y las fuentes de calor aumentan el consumo eléctrico. Una temperatura ambiente inferior a 5°C o superior a 32°C hará que disminuya el rendimiento del refrigerador.

Este refrigerador no está diseñado para ser usado en garajes o cualquier otro ambiente exterior.

Evite ubicar el refrigerador de vinos en áreas húmedas.

Enchufe el refrigerador a un tomacorriente de pared correctamente instalado y destinado únicamente al refrigerador. En ninguna circunstancia corte o retire la tercera clavija (salida a tierra) del enchufe. Acuda a un electricista certificado o a un centro de servicios autorizado para cualquier pregunta relacionada con la alimentación eléctrica del refrigerador.

Este producto no está diseñado para ser instalado en un RV o utilizada con un inversor.

Después de conectar el refrigerador al tomacorriente, enciéndalo y déjelo enfriar durante 3 o 4 horas antes de colocar botellas de vino u otras bebidas en su interior.

ADVERTENCIA: Nunca obstruya las aberturas de ventilación que se encuentran en el gabinete del refrigerador.

Conexión eléctrica



El uso incorrecto del enchufe y la conexión a tierra puede ocasionar una descarga eléctrica. Si el cable de alimentación está deteriorado, acuda a un centro de servicios autorizado para su reemplazo.

Este refrigerador de vinos debe estar debidamente conectado a tierra para su seguridad. El cable de alimentación tiene un enchufe de tres clavijas compatible con los tomacorrientes de pared comunes, esto es para minimizar la posibilidad de una descarga eléctrica.

Bajo ninguna circunstancia corte o retire la tercera clavija (salida a tierra) del enchufe. Este refrigerador de vinos debe ser conectado a un tomacorriente estándar de 220-240 V, corriente alterna, 50 Hz y tres terminales.

Este refrigerador no está diseñado para ser utilizado con un inversor de voltaje.

Para evitar accidentes o lesiones personales, no deje expuesto el cable de alimentación ni colgando por donde pueda entorpecer el paso, asegúrelo debidamente detrás del refrigerador.

No tire del cable de alimentación para desconectarlo del tomacorriente, hágalo agarrando firmemente el enchufe.

No utilice extensiones eléctricas. Si el cable de alimentación es demasiado corto, acuda a un electricista cualificado o al personal de servicios técnicos para que instale un tomacorriente cerca del refrigerador. El uso de un cable de extensión puede afectar negativamente el rendimiento del refrigerador.

No introduzca ni guarde dispositivos eléctricos en el compartimento interior del refrigerador, a menos que sean del tipo recomendado por el fabricante.

No almacene sustancias explosivas tales como latas de aerosol en el refrigerador.





ADVERTENCIA: *Tenga cuidado para no dañar los serpentines de refrigeración.*

INSTRUCCIONES DE OPERACIÓN

Panel de control

El panel de control está ubicado en la parte superior de la puerta.



-  **BOTÓN DE LA LUZ INTERIOR**
Para encender o apagar la luz del compartimento interior.
-  **AJUSTE DE TEMPERATURA (BOTÓN SUBIR)**
Se utiliza para aumentar gradualmente la temperatura (calentar el interior) en 1°C o 1°F.
-  **AJUSTE DE TEMPERATURA (BOTÓN BAJAR)**
Se utiliza para disminuir gradualmente la temperatura (enfriar el interior) en 1°C o 1°F.
-  **SELECTOR DE ESCALA**
Se utiliza para cambiar la escala de la temperatura mostrada en la pantalla, en grados Celsius o Fahrenheit.

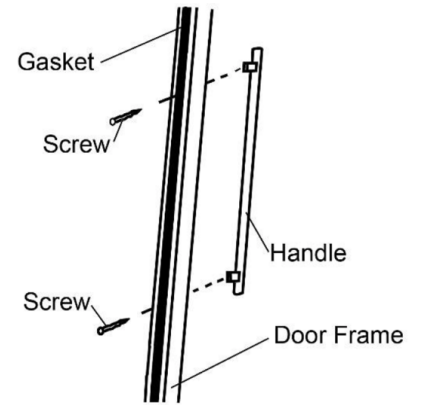
Ajustes de temperatura

Su refrigerador tiene un solo compartimiento. La temperatura puede ser ajustada entre 4°C y 18°C (39-65°F). Si almacena en su mayoría vinos tintos, lo ideal es ajustar la temperatura entre 12°C y 18°C (55-64°F). Si almacena en su mayoría vinos blancos y espumosos, lo ideal es ajustar la temperatura entre 4°C y 12°C (39-55°F).

COLOCACIÓN DE LA MANIJA

Para instalar la manija de la puerta, siga los pasos a continuación:

1. Abra la puerta del refrigerador y mueva ligeramente la junta de la puerta para el lado. Así podrá ver los dos agujeros destinados específicamente a la instalación de la manija.
2. Fije la manija como se muestra en la figura siguiente, usando para ello los dos tornillos, las arandelas planas y las arandelas de fijación que se entregan junto con el refrigerador.
3. Coloque la junta de la puerta nuevamente en su lugar y asegúrese de que la puerta se abra y se cierre correctamente.



DESCRIPCIÓN DE LOS COMPONENTES DEL REFRIGERADOR

1) Panel de control

- El panel de control está ubicado en la parte superior de la puerta del refrigerador. Esto permite ajustar y visualizar la temperatura con facilidad.

2) Luz interior

- El refrigerador de vinos cuenta con iluminación en su interior. Esta luz se enciende y se apaga presionando el botón de luz, señalado con un bombillo en el panel.

3) Botelleros

- Los botelleros son completamente ajustables y se pueden adaptar a botellas de vino de varias formas y tamaños.
- Para prevenir el deterioro de la junta de la puerta, asegúrese de que la puerta esté completamente abierta antes de mover los botelleros en sus correderas hacia afuera.
- Para acceder mejor a las botellas en el interior del refrigerador, saque los botelleros aproximadamente 1/3 de su recorrido. Los botelleros cuentan con un mecanismo de seguridad para evitar que sean retirados cuando estén demasiado cargados.

INSTRUCCIONES DE USO

Antes de encender el refrigerador

- Asegúrese de que el refrigerador sea instalado por una persona debidamente cualificada, acatando las instrucciones de instalación.
- Cuando reciba su refrigerador, espere 4 horas antes de enchufarlo al tomacorriente, esto es para garantizar que el gas refrigerante se asiente luego de haber sido agitado durante la transportación.
- La parte exterior del refrigerador y sus accesorios desmontables se deben limpiar con una solución de detergente líquido y agua.
- El compartimiento interior del refrigerador se debe limpiar con una solución de bicarbonato de sodio en agua tibia. Una vez terminada la limpieza, debe secar por dentro completamente y también los accesorios desmontables.
- Puede sentir un olor característico cuando encienda el refrigerador por primera vez. Este olor desaparecerá gradualmente a medida que el refrigerador empiece a enfriar.

Durante el primer uso

IMPORTANTE: *Cuando use el refrigerador por primera vez o lo encienda luego de haber estado apagado por mucho tiempo, la temperatura configurada y la que se muestra en pantalla pueden diferir en algunos grados. Esto es normal y se debe al período de activación del termostato. Todo volverá a la normalidad después de algunas horas en funcionamiento.*

- Cuando encienda el refrigerador por primera vez, el compresor funcionará continuamente hasta que el compartimiento interior alcance una temperatura lo suficientemente fría.
- Durante este período de tiempo, evite abrir la puerta con frecuencia o colocar más botellas de vino en el refrigerador.
- Si al refrigerador le falta el suministro eléctrico, lo desconecta del tomacorriente o lo apaga, debe esperar al menos 5 minutos antes volver a ponerlo en funcionamiento.

Abastecimiento del refrigerador



IMPORTANTE: *Su refrigerador es ideal para guardar botellas de vino estilo Bordeaux de 75cl. Aunque es posible almacenar botellas más grandes, debe cerciorarse de que no estorben para que la puerta cierre correctamente.*

- Antes de cerrar la puerta de su refrigerador de vinos, compruebe que la misma pueda cerrar sin que se incruste o choque con alguna botella de vino.
- Cuando se introducen varias botellas de vino de una sola vez, el refrigerador tardará más tiempo en enfriar cada botella.
- Debido a la gran diversidad de tamaños y formas de las botellas de vino, la capacidad de almacenamiento del refrigerador es muy variada.
- La capacidad máxima que se informa en este manual se basa en botellas de vino comunes estilo Bordeaux de 75cl.

Conservación de vinos

En la siguiente tabla se indican los rangos de temperatura ideales para almacenar los tipos más comunes de vino.

<i>Tipo de vino</i>	<i>Temperatura (Celsius)</i>	<i>Temperatura (Fahrenheit)</i>
Vinos tintos	15 – 18°C	58 – 65°F
Vinos blancos	9 – 14°C	48 – 79°F
Vinos espumosos/champañas	4 – 8°C	39 – 47°F

- La estabilidad de la temperatura es el factor más importante cuando se trata de la conservación de vinos.
- La exposición a la luz, las vibraciones o las fluctuaciones de temperatura y humedad pueden provocar el deterioro del vino. Cuando el vino se almacena en las condiciones correctas, no sólo preserva su calidad, sino que muchos adquieren su mejor cuerpo, sabor y aroma con el envejecimiento.
- Los vinos que se almacenan a temperaturas altas envejecerán más rápidamente. Los vinos expuestos a temperaturas superiores a 18°C (64°F) perderán mucho de su sabor y aroma.
- Si el vino se almacena a temperaturas demasiado bajas, pueden aparecer sedimentos dañinos en las botellas. Para prevenir la contracción del corcho, la humedad relativa se debe mantener en 60-70%.
- Una vez abierta una botella, el vino entra en contacto con el aire. Si no bebe todo el vino, lo mejor es guardar la botella en posición vertical para minimizar la superficie de contacto entre el vino sobrante y el aire.
- Una vez abierta una botella, el vino permanecerá en buenas condiciones para el consumo durante 2 días si es blanco suave o 3 días si es tinto con cuerpo, siempre y cuando vuelva a sellar la botella. Compruebe que el corcho esté apretado con firmeza.
- En casi todas las tiendas especializadas en vino se venden corchos especiales para mantener las burbujas de vinos espumosos y champán por 1 o 2 días más después de abrir las botellas.
- Cuando se almacenan correctamente, los vinos blancos pueden permanecer en buenas condiciones por hasta 2 años. Los vinos tintos de gran cuerpo envejecen por hasta 10 años y los vinos de sobremesa duran alrededor de 20 años.
- Cuando compre una botella de vino, la debe guardar de inmediato en un local con las condiciones adecuadas (cuando no la vaya a guardar en su refrigerador de vinos).
- Las botellas de vino más baratas perduran menos tiempo que aquellas más caras.
- Para degustar el vino con su mejor aroma y sabor, nunca llene más de medio vaso a la vez. También ayuda mucho servir en una copa con la forma apropiada para su tipo de vino. El tamaño y la forma de la copa son determinantes para degustar todo el aroma y el cuerpo de su vino. El fuste de la copa debe ser lo suficientemente largo como para evitar que su mano entre en contacto con el cáliz y la boca debe ser cóncava hacia el interior.

LIMPIEZA Y MANTENIMIENTO

Limpieza del refrigerador

- Antes de instalar su nuevo refrigerador de vinos, se recomienda que lo limpie a fondo.
- Primero apague el refrigerador y luego desenchufe el cable de alimentación del tomacorriente.
- Vacíe el refrigerador.
- Limpie el interior del refrigerador usando un paño húmedo con agua tibia y una solución de bicarbonato de sodio. Esta solución debe ser preparada con 2 cucharadas de bicarbonato de sodio en 1 litro de agua.
- Asegúrese de mantener limpia la junta de la puerta (sello) para que el refrigerador pueda funcionar de forma eficiente.
- Limpie las partes exteriores del refrigerador con detergente suave y agua tibia.
- Seque bien el refrigerador por fuera y por dentro, con un paño suave.
- El polvo o cualquier otra cosa que obstruya las aberturas de ventilación pueden afectar la eficiencia del refrigerador. Limpie o despeje las ranuras de ventilación si es necesario.

Período vacacional

- Apague el refrigerador de vinos y desenchufe el cable de alimentación del tomacorriente.
- Vacíe el refrigerador.
- Limpie el refrigerador.
- Deje la puerta ligeramente abierta para evitar que condense la humedad, el mal olor o la formación de moho.

- Períodos cortos: Puede dejar el refrigerador en funcionamiento si sus vacaciones duran menos de tres semanas.
- Períodos largos: Si no pretende usar el refrigerador por varios meses, retire todas las botellas de vino de su interior y desconéctelo del tomacorriente. Limpie y seque completamente el interior del refrigerador. Para evitar el mal olor o la formación de moho, deje la puerta ligeramente abierta, bloqueándola si es necesario.

Movimentación del refrigerador

- Primero apague el refrigerador y luego desenchufe el cable de alimentación del tomacorriente.
- Vacíe el refrigerador.
- Asegure firmemente todos los accesorios sueltos en el interior del refrigerador.
- Cierre la puerta y asegúrela firmemente usando una soga o cinta.

Consejos para ahorrar energía

- El refrigerador de vinos se debe instalar en la zona más fresca de la habitación, lejos de cualquier dispositivo que genere calor (incluyendo los conductos de calefacción) y protegido de la incidencia directa de la luz solar.
- Asegúrese de que la puerta esté bien cerrada cuando el refrigerador esté encendido.

SOLUCIÓN DE PROBLEMAS

Usted puede solucionar fácilmente varios problemas comunes en el refrigerador de vinos, ahorrándose el costo de una posible visita al centro de servicios técnicos. Primero intente solucionar el problema con las sugerencias que se presentan a continuación, antes de llamar al centro de asistencia.

PROBLEMA	CAUSAS POSIBLES
El refrigerador de vinos no funciona.	El cable de alimentación está desconectado. El disyuntor de su red eléctrica está caído o el fusible está fundido.
La temperatura en el interior del refrigerador es demasiado alta.	La temperatura ajustada es demasiada alta. Disminuya la temperatura a través del panel de control y espere algunas horas hasta que se estabilice. La puerta se mantiene abierta por mucho tiempo o se abre con mucha frecuencia. El aire caliente entra al refrigerador cada vez que se abre la puerta. Abra la puerta con menos frecuencia. La puerta no está bien cerrada. La junta de la puerta no sella bien. Hubo una falla de electricidad reciente o se desconectó el refrigerador, demora unas 4 horas para estabilizar de nuevo la temperatura.
La temperatura en el interior del refrigerador es demasiado baja.	La temperatura ajustada es demasiada baja. Aumente la temperatura a través del panel de control y espere algunas horas hasta que se estabilice.
Vibración excesiva.	Compruebe que el refrigerador esté sobre una superficie nivelada y revise si está pegado a la pared posterior. Vuelva a nivelar el refrigerador y sepárelo de la pared. Si la vibración continúa, apague el refrigerador y desconecte el enchufe del tomacorriente. Acuda al Departamento de Atención al Cliente para recibir ayuda especializada.
Humedad o condensación en el interior del refrigerador.	La puerta se queda ligeramente abierta. La puerta se mantiene abierta por mucho tiempo o se abre con mucha frecuencia. Abra la puerta con menos frecuencia. La junta de la puerta no sella bien.
Humedad o condensación en el exterior del refrigerador.	La puerta está ligeramente abierta, provocando que el aire frío del interior del refrigerador se mezcle con el aire caliente y húmedo del exterior.
No puede cerrar bien la puerta.	El refrigerador no está colocado sobre una superficie plana o no está bien nivelado. La junta de la puerta está sucia.

MEDIO AMBIENTE

ATENCIÓN:

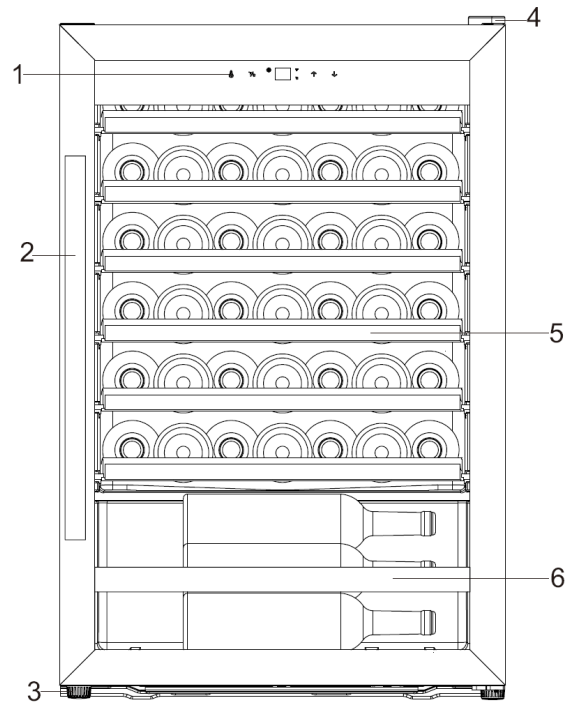


No se deshaga de este producto como lo hace con otros productos del hogar. Existe un sistema selectivo de colecta de este producto puesto en marcha por las comunidades, debe de informarse en su ayuntamiento acerca de los lugares en los que puede depositar este producto. De hecho, los productos eléctricos y electrónicos pueden contener sustancias peligrosas que tienen efectos nefastos para el medio ambiente o para la salud humana y deben ser reciclados. El símbolo aquí presente indica que los equipos eléctricos o electrónicos deben de ser cuidadosamente seleccionados, representa un recipiente de basura con ruedas marcado con una X.

ITALIANO

Nomi delle parti

1. Pannello di controllo elettronico
2. Maniglia in acciaio inox
3. Piedini regolabili
4. Coperchio cerniera
5. Mensole di legno
6. Barra di protezione bottiglie



SPECIFICHE

	Volume (litri)	130L
Materiale	Struttura	Ferro
	Porta	Vetro
	Dimensione dell'unità (L × P × H) (mm)	550 * 570 * 835 millimetri
	Dimensione imballaggio (L × P × H) (mm)	580 * 590 * 850 millimetri
	Peso netto (kg)	30 KG
	Peso lordo (kg)	33,5 KG
	Intervallo di temperatura ambiente di lavoro	≤32 ° C
	Intervallo di temperatura	4 ° C-18 ° C
	Tensione nominale	220-240V AC
	Frequenza nominale	50Hz
	Potenza in ingresso	85W

IMPORTANTI NORME DI SICUREZZA

AVVERTIMENTO	Per ridurre il rischio di incendi, scosse elettriche, o lesioni quando si utilizza l'apparecchio, seguire queste precauzioni di base:
<p>Leggere tutte le istruzioni prima di utilizzare il dispositivo di raffreddamento del vino.</p> <ul style="list-style-type: none">• PERICOLO o AVVERTENZA: rischio di intrappolamento per i bambini.• Per evitare la possibilità di intrappolamento per i bambini, si prega di prendere le seguenti precauzioni prima di buttare il dispositivo di raffreddamento vino.<ul style="list-style-type: none">- Rimuovere tutte le porte dall'unità.- Lasciare i ripiani in modo che i bambini non possano entrare facilmente all'interno.- Non permettere ai bambini di utilizzare, giocare, o strisciare all'interno dell'apparecchio di raffreddamento vino.- I bambini devono essere sorvegliati per assicurarsi che non giochino con l'apparecchio. Mantenere il cavo di alimentazione fuori dalla portata dei bambini. Non lasciare che il cavo penda dal bordo del tavolo o piano di lavoro sul luogo di installazione.• Questo apparecchio non è destinato ad essere utilizzato da persone (compresi i bambini) con ridotte capacità fisiche, sensoriali o mentali, o senza esperienza e conoscenza, a meno che non siano controllati o istruiti all'uso dell'apparecchio da una persona responsabile della loro sicurezza.• Non utilizzare l'apparecchio se la spina, il cavo di alimentazione o l'apparecchio stesso sono danneggiati. Se il cavo di alimentazione fosse danneggiato, dovrà essere sostituito dal produttore, da un centro di assistenza autorizzato o da personale qualificato al fine di evitare	

rischi.

- Refrigeranti: Tutti i prodotti di refrigerazione contengono refrigeranti, che in base alle direttive della legge federale devono essere rimossi prima dello smaltimento del prodotto. È responsabilità del consumatore rispettare le normative locali per lo smaltimento di questo prodotto. Mai pulire con fluidi infiammabili. I fumi possono creare un pericolo di incendio o esplosione.
- Non conservare o utilizzare benzina o altri gas e liquidi infiammabili in prossimità di questo o di altri elettrodomestici. I fumi possono creare pericolo di incendio o di esplosione.
- La pulizia e la manutenzione non devono essere eseguite da bambini a meno che abbiano più di 8 anni e siano sorvegliati da un adulto.
- Quando si utilizzano apparecchiature elettriche, è necessario adottare sempre misure di sicurezza per prevenire il rischio di incendi, scosse elettriche e/o lesioni in caso di uso improprio.
- Si prega di tenere questo documento a portata di mano e di consegnarlo al futuro proprietario in caso di trasferimento del dispositivo.
- Il dispositivo non deve essere utilizzato se è stato lasciato cadere, sono visibili evidenti segni di danneggiamento o se presenta perdite.
- Questo apparecchio è destinato ad essere utilizzato in ambienti domestici e similari, quali:
 - aree cucina per il personale di negozi, uffici e altri ambienti di lavoro;
 - case coloniche e da parte dei clienti in alberghi, motel e altri ambienti di tipo residenziale;
 - Bed & Breakfast;
 - restaurazione e le applicazioni non al dettaglio similari.

-Conservare queste istruzioni-

ISTRUZIONI DI INSTALLAZIONE

Prima di usare la Cantinetta Vino

Rimuovere l'imballaggio esterno e interno.

Prima di collegare la cantinetta vino alla fonte di alimentazione, lasciatela in posizione verticale per circa 4 ore. Ciò ridurrà la possibilità di un malfunzionamento del sistema di raffreddamento da un uso improprio durante il trasporto. Pulire la superficie interna con acqua tiepida con un panno morbido. (Istruzioni per la Pulizia a pagina 9)

Installazione della Cantinetta Vino

Questo dispositivo di raffreddamento vino è stato progettato per essere free standing, e non deve essere incassato o incorporato.

Lasciare **5 pollici** di spazio tra la parte posteriore e i lati della cantinetta vino, per permettere la ventilazione dell'aria. Regolare i piedi per mantenere il vino più fresco. Posizionare la cantinetta vino lontano dalla luce solare diretta e da fonti di calore (stufa, riscaldatore, radiatore, ecc). La luce solare diretta può influenzare il rivestimento acrilico e le fonti di calore possono aumentare il consumo elettrico. Una temperatura ambiente inferiore a 5 ° C o superiore a 32 ° C inciderà sulle prestazioni di questo apparecchio.

Questa unità non è stata progettata per l'uso in un garage o qualsiasi altra unità esterna.

Evitare di posizionare il dispositivo di raffreddamento vino in aree umide.

Collegare la cantinetta vino collegandola ad una presa dedicata. Non tagliare o rimuovere in nessun caso il terzo polo dal cavo di alimentazione (massa). Tutte le domande riguardanti l'energia e / o la messa a terra devono essere indirizzate verso un elettricista certificato o un centro di assistenza autorizzato.

Questa unità non è progettato per essere installata in un camper o utilizzata con un inverter.

Dopo aver collegato la cantinetta vino in una presa di corrente, accendere l'unità unità e lasciarla raffreddare per 3 ~ 4 ore prima di collocare bottiglie di vino o bevande nell'apparecchio.

ATTENZIONE: lasciare le aperture di ventilazione interne all'apparecchio, libere da ostruzioni.

Connessione elettrica

AVVERTIMENTO

Un uso improprio della presa può comportare il rischio di scosse elettriche. Se il cavo di alimentazione è danneggiato, farlo sostituire da un centro di assistenza autorizzato.

Questo dispositivo di raffreddamento vino deve essere adeguatamente messo a terra per la vostra sicurezza. Il cavo di alimentazione di questo dispositivo di raffreddamento vino è dotato di una spina tripolare che si accoppia con prese a tre poli per minimizzare il rischio di scosse elettriche.

In nessun caso, tagliare o rimuovere il terzo polo di massa a terra dal cavo di alimentazione fornito. Questo dispositivo di raffreddamento d vino richiede una presa elettrica con messa a terra a tre poli 220-240 Volt AC ~ 50Hz .

Questa cantinetta vino non è concepita per essere utilizzato con un inverter.

Il cavo deve essere fissato dietro la cantinetta vino e non lasciato esposto o appeso per evitare lesioni accidentali.

Non scollegare la cantinetta vino tirando il cavo di alimentazione. Afferrare sempre la spina ed estrarla dalla presa.

Non utilizzare una prolunga con questo apparecchio. Se il cavo è troppo corto, contattare un elettricista o un servizio tecnico qualificato per installare una presa vicino all'apparecchio. L'uso di una prolunga può influire negativamente sulle prestazioni dell'unità.

Non utilizzare apparecchi elettrici all'interno degli scomparti per la conservazione degli alimenti, a meno che non siano del tipo consigliato dal produttore.

Non conservare sostanze esplosive, come bombolette spray con un propellente infiammabile in questo apparecchio.

ATTENZIONE: Non danneggiare il circuito refrigerante.

Utilizzare l'elettrodomestico

Controllo della temperatura

Pannello di controllo

Il pannello di controllo si trova nella parte superiore della porta.



PULSANTE LUCE

Per accendere o spegnere la luce interna

PULSANTE TEMPERATURA (pulsante SU)

Utilizzato per aumentare (caldo) la temperatura impostata di 1 ° C o 1 ° F.

PULSANTE TEMPERATURA (pulsante Giù)

Usato per abbassare (freddo) la temperatura impostata di 1 ° C o 1 ° F.

SELETTORE DISPLAY

Per scegliere se visualizzare le temperature in gradi Celsius o Fahrenheit.

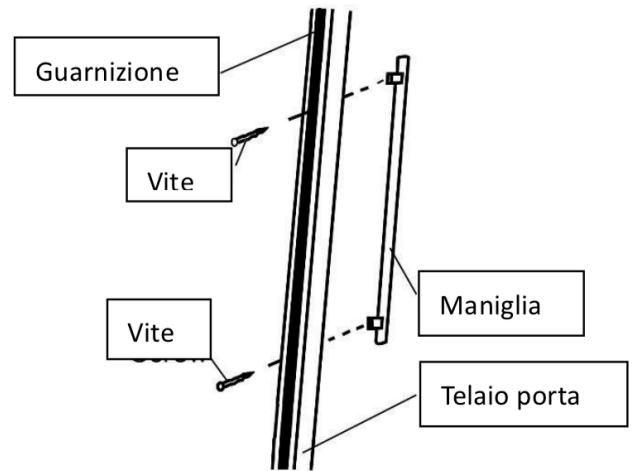
Selezionare la temperatura

La vostra cantina ha un unico vano. La temperatura può essere scelta tra 4 ° C e 18 ° C (39 ° e 65 ° F). Si raccomanda di impostare la temperatura dai 12 ° C a 18 ° C (55-64 ° F) che è ideale per la conservazione dei vini rossi e regolare tra 4 e 12 ° C (39-55 ° F) la gamma adatta per champagne e vini bianchi.

GESTIRE L'INSTALLAZIONE

Per installare la maniglia della porta, attenersi alla seguente procedura:

1. Aprire la porta dell'apparecchio e spostare leggermente la guarnizione della porta su un lato in modo da poter vedere i due fori designati per l'installazione della maniglia.
2. Installare la maniglia saldamente come mostrato nella figura con le due viti fornite.
3. Assicurarsi che la guarnizione della porta vada di nuovo in posizione e che la porta si apra e si chiuda correttamente.



DESCRIZIONE DELLE CARATTERISTICHE DEL PRODOTTO

1) Pannello di controllo

- Il pannello di controllo si trova nella parte superiore dell'apparecchio, è molto facile impostare la temperatura dell'apparecchio e vedere su che temperatura l'apparecchio è impostato.

2) Luce interna

- La cantinetta vino ha una luce interna. La luce può essere accesa e spenta utilizzando il pulsante di controllo della luce.

3) Ripiani Cantinetta Vino

- I ripiani sono completamente regolabili per adattarsi a varie forme e dimensioni di bottiglie di vino
- Per evitare di danneggiare la guarnizione della porta, assicurarsi che la porta sia completamente aperta quando si tirano gli scaffali fuori dallo scompartimento.

Per un facile accesso alle bottiglie conservate, tirare fuori le mensole per circa 1/3. I ripiani sono progettati con un blocco per evitare che vengano estratti troppo quando vengono caricati.

Uso Cantinetta Vino

Prima dell'accensione

- Assicurarsi che sia stato installata da una persona adeguatamente qualificata, secondo le informazioni contenute nelle Istruzioni per l'installazione.
- Dopo la consegna, attendere per quattro ore prima di collegare l'apparecchio alla rete elettrica. Questo permetterà al gas refrigerante di stabilizzarsi e che potrebbe essere stato agitato durante il trasporto.
- L'esterno dell'elettrodomestico e gli accessori amovibili in esso contenuti, devono essere puliti con una soluzione di detergente ed acqua.
- L'interno dell'apparecchio deve essere pulito con una soluzione di bicarbonato di sodio sciolto in acqua tiepida. L'interno e gli accessori devono essere accuratamente asciugati, al termine del processo di pulizia.
- Potrebbe esserci odore durante la prima accensione dell'apparecchio. Esso si ridurrà quando la macchina inizia a raffreddarsi.

Durante il primo utilizzo

Importante: Quando si utilizza la cantinetta vino per la prima volta o si riavvia l'apparecchio dopo che è stato spento per lungo tempo, ci potrebbe essere una variazione di pochi gradi tra la temperatura selezionata e quella indicata sul display a LED. Questo è normale ed è dovuto al tempo di attivazione. Una volta che la cantinetta vino è in funzione da qualche ora tutto tornerà alla normalità.

- Quando si accende l'apparecchio, il compressore funzionerà continuamente fino a quando la cantinetta vino raggiunge una temperatura abbastanza fresca.
- Durante questo periodo di tempo, si dovrebbe cercare di non aprire la porta frequentemente o posizionare bottiglie all'interno dell'apparecchio.
- Se l'apparecchio viene spento o scollegato, è necessario attendere almeno 5 minuti prima di riavviarlo o riconnetterlo alla rete elettrica.

Caricamento della cantinetta vino



IMPORTANTE: L'apparecchio è ideale per conservare bottiglie di vino bordolesi da 0,75 litri. Quando si conservano bottiglie più grandi, è necessario assicurarsi che esse non impediscono la chiusura della porta.

- Controllare sempre di poter chiudere la porta senza urtare la bottiglia di vino, prima di chiuderlo.
- Quando si caricano diverse bottiglie di vino in un'unica volta, sarà necessario più tempo per raffreddare le singole bottiglie.
- Dato che le bottiglie possono variare nelle dimensioni, il numero effettivo di bottiglie conservabili può variare.
- Il numero massimo si basa su bottiglie di vino bordolesi standard da 0,75 litri .

Conservazione dei vostri vini

La tabella seguente indica le temperature di conservazione ideali per diversi tipi di vino: -

<i>Tipo di vino</i>	<i>Temperatura (Centigradi)</i>	<i>Temperatura (Fahrenheit)</i>
vino rosso	15 - 18 ° C	58 - 65 ° C
vino bianco	9 - 14 ° C	48 - 79 ° C
Spumanti / champagne	4 - 8 ° C	39-47 ° C

- La stabilità di temperatura è il fattore più importante quando si tratta di conservazione del vino.
- L'esposizione alla luce, vibrazioni o oscillazioni di temperatura e umidità possono rovinare i vini. Se correttamente conservati, i vini mantengono non solo la loro qualità ma molti miglioreranno l'aroma, il sapore e la complessità in quanto maturi.
- I vini conservati ad una temperatura superiore invecchieranno più velocemente. Il vino che viene esposto a temperature superiori a 18 ° C o 64 ° F avranno un sapore e un aroma più poveri.
- Se il vino è mantenuto ad una temperatura troppo bassa, questo può portare allo sviluppo di depositi dannosi. Un umidità del 60% ~ 70% è l'ideale per evitare la contrazione dei tappi.
- Dopo che una bottiglia di vino è stata aperta, il vino viene a contatto con l'aria. Quindi è meglio conservare il resto della bottiglia in posizione verticale, per ridurre al minimo l'area della superficie del vino che entra a contatto con l'aria.

- Una volta aperto, il vino rimane in una condizione fruibile per due giorni per i bianchi delicati o tre giorni per rossi ricchi, come quando la bottiglia come era chiusa. È necessario assicurarsi che il tappo sia chiuso bene.
- Dei tappi speciali che mantengono vino e champagne spumeggianti per uno o due giorni dopo l'apertura, possono essere acquistati nella maggior parte dei negozi di vino.
- Se conservati correttamente, i vini bianchi possono mantenersi per un massimo di due anni. I rossi corposi invecchieranno bene per dieci anni e i vini da dessert saranno invecchieranno bene per un massimo di venti anni.
- Quando si acquista una bottiglia di vino, si dovrebbe subito conservare in una posizione adatta immediatamente (se non si ha intenzione di conservarla nella vostra cantinetta).
- Le bottiglie più economiche di vino non invecchieranno come quelle più costose.
- Per sfruttare al meglio il bouquet e il gusto del vostro vino, non riempire mai più di mezzo bicchiere alla volta. Aiuterà anche scegliere la forma del bicchiere appropriata per il vostro vino. La dimensione e la forma del calice del vostro bicchiere di vino determinerà l'intensità e la complessità del bouquet. Il gambo deve essere sufficientemente lungo da consentire di evitare la mano venga a contatto con il calice di vetro e dovrebbe essere a forma di tulipano o rastremato verso l'alto.

CURA E MANUTENZIONE

Pulire l'apparecchio

- ★ Dopo l'installazione del nuovo apparecchio, si raccomanda che questo venga pulito accuratamente.
- ★ Spegnerne la cantinetta vino e scollegare l'unità dalla presa a muro.
- ★ Rimuovere tutti i contenuti.
- ★ Lavare l'interno con un panno umido caldo imbevuto di acqua tiepida e soluzione di bicarbonato di sodio. La soluzione deve essere di circa 2 cucchiaini di bicarbonato di sodio per un litro d'acqua.
- ★ Essere sicuri di mantenere la guarnizione della porta (di tenuta) pulita per mantenere l'unità funzionante in modo efficiente.
- ★ L'esterno della cantinetta vino deve essere pulito con un detergente delicato e acqua calda.
- ★ Asciugare l'interno e l'esterno con un panno morbido.
- ★ La polvere o qualsiasi altra cosa che bloccano lo sfiato possono ostacolare l'efficienza di raffreddamento dell'apparecchio. Pulire lo sfiato, se necessario.

Ferie

- ★ Spegner la cantinetta vino e poi scollegare l'unità dalla presa a muro.
- ★ Rimuovere tutti i contenuti.
- ★ Pulire l'apparecchio.
- ★ Lasciare il coperchio leggermente aperto per evitare la possibile formazione di condensa, muffe o odori.
- ★ Vacanze brevi: Lasciare accesa la cantinetta vino durante le vacanze di meno di tre settimane.
- ★ Vacanze lunghe: se non si intende utilizzare il dispositivo di raffreddamento vino per alcuni mesi, rimuovere tutti i contenuti e scollegare il cavo di alimentazione. Pulire e asciugare accuratamente. Per evitare odori e muffe, lasciare la porta leggermente aperta: bloccandola aperta se necessario.

Spostamento dell'apparecchio

- ★ Spegner la cantinetta vino prima e poi scollegare l'unità dalla presa a muro.
- ★ Rimuovere tutti i contenuti.
- ★ Fissare con lo scotch tutti gli elementi mobili all'interno dell'apparecchio.
- ★ Sigillare le porte chiuse.

Suggerimenti per il risparmio energetico

- ★ La cantinetta vino deve essere posizionata nella zona più fresca della stanza, lontano da fonti di calore, tubi di riscaldamento, e dalla luce solare diretta.
- ★ Assicurarsi che la porta sia correttamente chiusa quando la cantinetta vino è accesa.

GUIDA ALLA RISOLUZIONE DEI PROBLEMI

È possibile risolvere molti problemi comuni della cantinetta vino facilmente, risparmiando il costo di una possibile chiamata al servizio assistenza.

Provate i suggerimenti di seguito per vedere se è possibile risolvere il problema prima di rivolgersi all'assistenza.

PROBLEMA	CAUSA POSSIBILE
La cantinetta vino non funziona.	Presenza non inserita. L'interruttore o il fusibile è scattato.
La temperatura all'interno della cantinetta vino è troppo calda.	La temperatura impostata è troppo alta. Ruotare il controllo su una diversa impostazione e consentire diverse ore affinché la temperatura si stabilizzi. La porta rimane aperta troppo a lungo o si apre troppo frequentemente. L'aria calda entra nella cantinetta vino ad ogni apertura della porta. Aprite a porta meno spesso. La porta non è completamente chiusa. La guarnizione della porta non tiene perfettamente. La cantinetta vino è stata recentemente scollegata per un certo periodo di tempo. 4 ore sono richiesti per il raffreddamento del vino raffreddare completamente.
La temperatura all'interno della cantinetta vino è troppo fredda.	La temperatura impostata è troppo fredda. Ruotare il controllo su una temperatura più calda e consentire diverse ore affinché la temperatura si stabilizzi.
Vibrazioni.	Controllare per assicurarsi che la cantinetta vino si trovi su una superficie piana. La cantinetta vino tocca la parete. Regolare la cantinetta vino e spostarla dalla parete. Se la vibrazione persiste, spegnere la cantinetta vino e scollegare la spina di alimentazione. Contattare clienti Servizio Clienti per ulteriore assistenza.
C'è umidità sulle pareti interne.	La porta è leggermente aperta. La porta rimane aperta troppo a lungo, o la si apre troppo frequentemente. Aprite porta meno spesso. La porta non è sigillata correttamente.
C'è umidità all'esterno dell'apparecchio.	La porta è leggermente aperta, e causa una fuoriuscita di aria fredda che forma umidità quando entra a contatto con l'area calda esterna.
La porta non si chiude correttamente.	La cantinetta vino non è posizionata su una superficie piana. La guarnizione è sporca.

AMBIENTE

ATTENZIONE:



Non gettare quest' apparecchio tra i rifiuti domestici. Per questo tipo di prodotti è fornito dai comuni un sistema di raccolta e ritiro in zona ed è quindi un dovere informarsi per conoscere il giusto smistamento del rifiuto. Infatti, i prodotti elettrici ed elettronici possono contenere sostanze pericolose che hanno effetti dannosi sull'ambiente o sulla nostra salute e quindi devono essere riciclati. Il simbolo al lato indica che le apparecchiature elettriche ed elettroniche fanno parte di una raccolta selettiva e differenziata (rappresentata da un bidone su due ruote sbarrato da una croce).

Adeva SAS / H.Koenig Europe - 8 rue Marc Seguin - 77290 Mitry Mory - France
www.hkoenig.com - sav@hkoenig.com - contact@hkoenig.com - Tél: +33 1 64 67 00 05