

HKoenig

**Instruction Manual
Manuel d'instructions
Bedienungsanleitung
Gebruiksaanwijzing
Manual de instrucciones
Manuale d'uso**



BOE50

**Temperature controlled kettle
Bouilloire à température réglable
Wasserkocher
Elektrische Ketel
Hervidor eléctrico
Bollitore elettrico**



ENGLISH

IMPORTANT SAFETY INSTRUCTIONS

READ CAREFULLY AND KEEP FOR FUTURE REFERENCE

Carefully read this manual before using this appliance. Ensure that you know how the appliance functions and how to operate it. Maintain the appliance in accordance with the instructions to ensure that it functions properly. Keep this manual with the appliance. If the appliance is to be used by a third party, this instruction manual must be supplied with it. The safety instructions do not by themselves eliminate any danger completely and proper accident prevention measures must always be used. No liability can be accepted for any damage caused by non-compliance with these instructions or any other improper use or mishandling. Do not use this appliance if it has been dropped or damaged in any way, or if the supply cord is damaged.

SAFETY

1. Keep away from their kids or mentally handicapped person, or there are children when in use, please strictly supervise them by adults, besides, this product can not be played as a toy by the child.
2. Before connecting the power, please check whether the using voltage of the kettle is in line with the voltage marked on the kettle or not (rated voltage marked at the bottom of the kettle). If it is out of line, do not use, and contact your local dealer.
3. During filling water, cleaning, or when not in use, turn off the kettle, and unplug the plug.
4. When filling water, please keep the water away from the bottom of the enclose, besides, before connecting the

- base, please wipe away beads of water below with a dry cloth to avoid a risk of electric shock or short circuit.
5. Loaded water should not exceed the maximum water level, or boiling water may spill and cause danger.
 6. Please use this product in the horizontal plane.
 7. The pensile power cord can cause an accident, it is recommended that when boiling water, in order to avoid tripping kettle, then cause the danger of scalding, please put the kettle near to the power socket beside the wall.
 8. To avoid burns, please make sure to confirm the kettle lid has been covered before using.
 9. When heating, do not open the kettle lid or move the kettle, or may be burned.
 10. In order to prevent electrical danger, please don't let this product and power lines immersed into any liquid.
 11. At the room with temperature below 0 degrees Celsius, please do not let the kettle power supply have been connected to power plug all the time, otherwise automatic temperature controller will automatically reset so that it leads to heat element.
 12. The power cord is damaged, in order to avoid danger, you must use the same model of power line replaced by the staff of the maintenance department from the manufactory.
 13. Do not let the kettle drily combust, when not in use, make sure to cut off the power.
 14. When cleaning this kettle, please remove the base, please wipe away the water on the kettle encloser and base before using again.
 15. The product must be used together with base offered.
 16. This product can only be used to heat water, not for other purposes, please do not add the soluble drinks, coffee, soup, milk and other substances to water.

17. When boiling water, please do not open the kettle lid.
18. When pouring boiling water , please be very careful and slow, in order to prevent wounding of gushy water.
19. The power socket is used with a good three-core power socket grounded
20. When unplugging the Plug, please do not pull the power cord, please unplugthe plug by hand.
21. When hands are wet, please do not operate this product.
22. Make sure to turn off the power switch before removing the base.
23. The appliance is not to be used by children or persons with reduced physical, sensory or mental capabilities, or lack of experience and knowledge, unless they have been given supervision or instruction
24. Children being supervised not to play with the appliance
25. If the kettle is overfilled, boiling water may be ejected
26. The instructions for use for cordless kettles shall state that the kettle is only to be used with the stand provided
27. This appliance is intended to be used in household and similar applications as:
 - Staff kitchen areas in shops, offices and other working environments
 - Farm houses
 - By clients in hotels, motels and other residential type environments
 - Bed and breakfast type environments
28. This device is not intended for use by persons with reduced capacity on the physical, mental or sensory or lack of experience and knowledge (including children), unless they have had instructions to use the appliance by a person responsible for their safety use of the

appliance and understand the hazards involved.

Children should be supervised to ensure they do not play with the device.

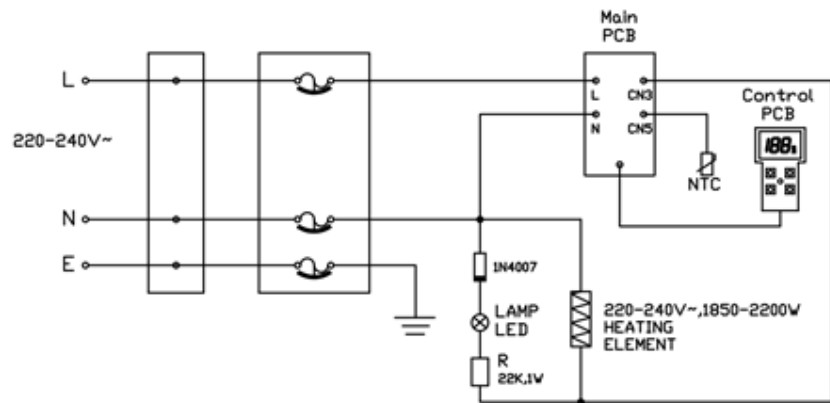
29. The device must not be used if it has been dropped, it obvious signs of damage are visible or if it has leaks.
30. Do not operate this appliance if it has a damaged cord or plug, if it is not working properly or if it has been damaged or dropped. If the supply cord is damaged, it must be replaced by the manufacturer or its service agent or a similarly qualified person in order to avoid a hazard.
31. This appliance may be used by children of at least 8 years of age, as long as they are supervised and have been given instructions about using the appliance safely and are fully aware of the dangers involved.
32. Keep the appliance and its power cord out of reach of children under 8 years of age.
33. When using electrical equipment, safety precautions must always be taken to prevent the risk of fire, electric shock and/or injury in the event of misuse.
34. Make sure that the voltage rating on the typeplate corresponds to your main voltage of your installation. If this is not the case, contact the dealer and do not connect the unit
35. Never leave the unit unattended while in operation.
36. Never open the appliance from the front, always position yourself slightly to the side to avoid burning yourself with steam.
37. Cleaning and maintenance should not be carried out by children unless they are at least 8 years of age and are supervised by an adult.

Rated Voltage/ Frequency: 220-240V / 50Hz

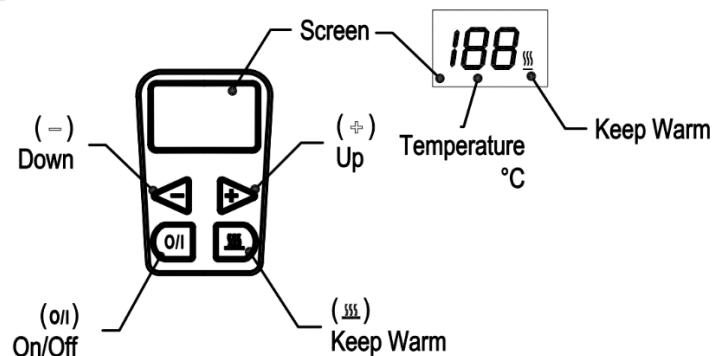
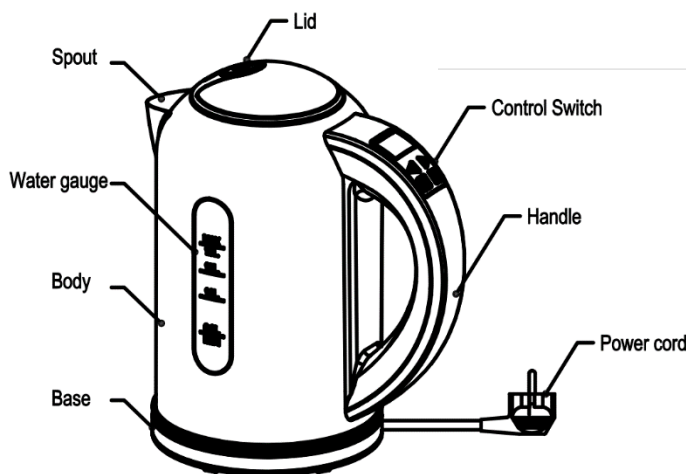
Rated Power: 1850-2200W

Rated Capacity: 1.7L

SCHEMATIC CIRCUIT DIAGRAM



PART DESCRIPTION



FEATURES

1. High-quality temperature controller ensures 100% boiling, food-grade plastic material in accordance with national health standards.
2. With triple safety protection devices, the more precise temperature controller, the safer use, the longer life.
3. Wireless-type pot body design, 360-degree rotating base to avoid right place, easy to use.
4. Concealed heating element design, high thermal efficiency, long service life, easy to clean.
5. High-polished stainless steel kettle body, lasting beautiful, noble and generous, health and durable.
6. Heating to boiling quickly after 5-8 minutes after filling with water.
7. know the water level at a glance from a water altitude scale.
8. The indicator light shows that the kettle shuts the power automatically after water boiling.
9. With elegant appearance, unique features, be the fine gift of new friend, catering to requirement of fast-speed life in the families and living rooms.

USE

1. Boiling water function

Open the lid and full water (not more than the maximum water level 1.8 L and cannot be less than minimum water level 0.8 L), then put on the lid.

Connected the power, the pot body into the power base. Now nothing appear in LCD, which means the kettle is on standby. When the kettle on standby, only can use the 'I/O', you can use '+' and '-' buttons.

Method 1: firstly, press '+' or '-', LCD show 40°C. Press '+' or '-' again, choose to set temperature of the boiling water, and then press 'I/O', LCD flashing constantly means boiling water; if don't press 'I/O', LCD will not flicker, after 10 seconds, LCD no display, the kettle back to standby.

Method 2: firstly press the '+' or '-' button and select the temperature of the boiling water (if only press 'I/O', by default water will be boiled up to 100°C).

LCD shows '100', LCD will keep flashing, into boiling water. When Set the boiling water for 100 °C, the water must be 100 °C.

In the process of boiling water, press '+' or '-', you can reset the temperature. When set temperature is higher than the actual water temperature, continue to boil water; When the actual water temperature is up to the set temperature, the heating tube will not work, and electronic board start the time, about 2 minutes later, LED no display, which means the kettle back to standby.

When water is finished boiling, the heat pipe stop working, electronic board start timing, about 2 minutes later, LCD no display, the kettle back to standby. If in 2 minutes, press 'I/O' key, LCD no display, the kettle back to standby. If press '+' or '-' key, and don't press 'I/O' again, electronic board start timing, about 10 seconds later, LCD without any display. If press '+' or '-', and press 'I/O' again, electronic board will reset the work.

2. Insulation functions

Open the lid and full water (not more than the maximum water level 1.8 L and cannot be less than minimum water level 0.8 L), then put on the lid..

Connected the power, the pot body into the power base. Now nothing appear in LCD, which means the kettle is on standby. When the kettle on standby, only can use the 'I/O', you can use '+' and '-' buttons.

Highest heat preservation temperature can only be set at 90 °C: when the set temperature and actual water temperature is higher than 90 °C, then press '''' button will not work; When '''' button has been pressed, and set the water temperature as 90 °C, and then press '+' button will not work.

Method 1: firstly, press '+' or '-', LCD show 40°C, then press '+' or '-' button and set heat preservation temperature, press '''' keep warm Button, and then press 'I/O' again, LCD and the ''' sign under the LCD on right keep flashing. The kettle is into the preservation and began to boil water. At this time, if not press 'I/O', LCD and the dot under the LCD on right will not flash, after 10 seconds, the LCD no display, kettle back to standby.

Method 2: you can press '''' , and then press the '+' or '-' button and set preservation temperature, and then push the 'I/O' heat preservation, LCD and the ''' sign under the LCD on right keep flashing, The kettle is into the preservation and began to boil water.

In the process of boiling water, press '+' or '-', can reset the heat preservation temperature. When set temperature is higher than the actual water temperature, continue to boil water; When the actual water temperature is up to the set temperature, the heating tube will not work, and electronic board start the time, about 4 hour later, LCD no display, which means the kettle back to standby. When, after LCD no display, the kettle back to standby mode.

When the boiling water temperature is up to the set temperature, then heat pipes stop working, and the kettle began to heat preservation.

When the water temperature lower than the set temperature, heat pipes began to heat and up to setting temperature, and LCD and the ''' sign under the LCD on right keep flashing. When the water temperature is equal to or higher than the set temperature, the heat pipe does not work, in the insulation state, LCD and the ''' sign under the LCD on right will not flash, and repeat.

In the process of heat preservation, if press ''' key to exit heat preservation function, return to boil water.

When entered into the state of thermal insulation, electronic board start time, about 4 hour later, the LCD no display, then the kettle back to standby. Within an hour, press 'I/O', LCD no display, the kettle back to standby.

HOW TO CLEAN KETTLE

1. Please unplug the power plug and let the pot become cool before cleaning.

2. Please do not immerse the kettle, power cord, power plug and power socket into water.
3. Please ensure the electronic line circuit dry.
4. Please wipe the kettle body with a damp cloth. Please do not use scouring powder, cleaning ointment product, they will damage the surface characteristics of kettle.

Cleaning and maintenance should not be carried out by children unless they are at least 8 years of age and are supervised by an adult.

HOW TO ELIMINATE SCALE

In order to keep good working condition of the kettle, it needs to remove scale frequently. If the outage happens in advance when working, indicating that you need to clear the scale of the kettle. Please use several methods in the following to clear the scale:

1. Please use dedicated product that can remove the scale very well, proceed in accordance with product instructions.
2. Please add the 0.5 liter eight-degree white vinegar to the pot, need cost one hour to keep soak, then drain white vinegar, at last wash it 4-5 times with clean water.
3. Please add 0.5 liter of water to the pot and then boil it, then add 25 grams of citric acid, later soak 15 minutes, at last wash it 4-5 times with clean water.

TROUBLESHOOTING

Failure	Sources of failure and troubleshooting ways
it shuts down automatically in advance before boiling	<ol style="list-style-type: none"> 1. It can be resolved by clearing the scale that is usually caused by the scale. 2. It also may be due to inadequate water in the kettle or empty kettle when using, causing to start dry combustion protection devices, we follow these steps to re-setting: again we add cold water to the pot, the dry burning protection device will be reseted after about 2 minutes, then the kettle can work.
The kettle can not work	<ol style="list-style-type: none"> 1. Please check whether the connecting of plug and socket is ok or not. 2. If the power cord is damaged, you must use the same type of power cord replaced by the staff of the maintenance department in the manufactory. 3. When the kettle starts dry combustion, the dry combustion protection device will shut the power.
There is a little peculiar smell inside water	<ol style="list-style-type: none"> 1. This phenomenon usually happens when the kettle is used for the first time. To solve this trouble in accordance with Use Article 6. 2. If this problem persists, add water to the pot to the maximum position, add two soup spoons of saleratus to the water, and then drain the water after boiling.
There is dirty water or water scale inside the kettle	As the local water is hard, this kind of water caused by calcium carbonate and magnesium carbonate, just clear the scale in time.

ENVIRONMENT

CAUTION:



Do not dispose of this product as it has with other household products. There is a separation of this waste product into communities, you will need to inform your local authorities about the places where you can return this product. In fact, electrical and electronic products contain hazardous substances that have harmful effects on the environment or human health and should be recycled. The symbol here indicates that electrical and electronic equipment should be chosen carefully, a wheeled waste container is marked with a cross.

Adeva SAS / H.Koenig Europe - 8 rue Marc Seguin - 77290 Mitry Mory - France

www.hkoenig.com - sav@hkoenig.com - contact@hkoenig.com - Tél: +33 1 64 67 00 01

FRANÇAIS

INSTRUCTIONS DE SECURITE IMPORTANTES

A LIRE ATTENTIVEMENT ET A CONSERVER

Veillez lire attentivement ce manuel avant la première utilisation de cet appareil. Assurez-vous de bien connaître les fonctions de l'appareil et comment l'utiliser. Entretenez l'appareil selon les indications fournies dans ce manuel afin de garantir tout son potentiel et son fonctionnement. Gardez ce manuel à proximité de l'appareil et consultez-le avant usage. Les instructions de sécurité fournies n'éliminent pas le danger lié à l'utilisation de l'appareil, exercez une précaution particulière pendant l'utilisation pour prévenir tout accident. Nous ne saurons être tenus par responsables pour tout dommage résultant du non-respect de ces instructions de sécurité. Ne jamais utiliser l'appareil s'il est endommagé.

CONSEILS DE SECURITE

1. Ne pas laissez les enfants ou adultes souffrant d'un handicap physique ou moral à moins d'être supervisés par un adulte responsable de leur sécurité. Cet appareil n'est pas un jouet, ne laissez pas les enfants le traiter comme tel.
2. Avant de brancher l'appareil pour la première fois, vérifiez qu'il compatible avec le voltage de votre installation électrique (voltage marqué sous la bouilloire). Si ce n'était pas compatible, ne branchez pas l'appareil car ceci pourrait provoquer des dommages à la fois sur l'appareil et votre installation électrique.
3. Toujours débrancher la bouilloire avant de la remplir, de la nettoyer ou de la laisser sans utilisation pendant une période de temps prolongée.

4. Lorsque vous remplissez la bouilloire veillez à ne pas éclabousser la base. Par ailleurs il est recommandé de ne brancher la base qu'une fois la bouilloire pleine. Si la base était mouillée, débranchez-la immédiatement et séchez-la avec un chiffon doux et sec.
5. Ne jamais remplir la bouilloire au-delà du niveau maximum indiqué sur celle-ci, car ceci pourrait causer des débordements pouvant être dangereux.
6. Placer cet appareil sur une surface lisse et plane.
7. Pour éviter tout danger, il est conseillé de ne pas laisser le cordon d'alimentation pendre du plan de travail pendant et après utilisation.
8. Pour éviter les brûlures, assurez-vous de bien fermer le couvercle avant l'utilisation.
9. Ne pas ouvrir le couvercle ou déplacer la bouilloire pendant l'utilisation.
10. Pour éviter les risques d'électrocution, cet appareil ne doit en aucun cas être immergé dans l'eau ou tout autre liquide.
11. Si la température ambiante devait être inférieure à zéro il est recommandé de débrancher l'appareil.
12. Si le câble d'alimentation était endommagé, il est recommandé de le confier à un professionnel qualifié pour la réparation. N'essayez jamais de le réparer ou le remplacer vous-même.
13. Ne jamais laisser la bouilloire chauffer à vide, débranchez-la après utilisation.
14. Pour nettoyer la bouilloire, retirez-la de la base et videz l'eau avant de l'utiliser à nouveau.
15. La bouilloire doit être utilisée uniquement avec la base fournie.

16. Cet appareil ne peut être utilisé que pour chauffer de l'eau. Ne pas essayer de faire chauffer autre chose que de l'eau.
17. Ne pas ouvrir le couvercle pendant l'utilisation.
18. Soyez prudent lorsque vous versez l'eau bouillante afin de ne pas vous brûler.
19. Le câble d'alimentation est doté d'une prise avec un raccord à la terre.
20. Ne jamais tirer sur le câble pour débrancher l'appareil, faites-le en tirant fermement sur la prise.
21. Ne pas toucher l'appareil avec des mains humides ou mouillées.
22. Débrancher l'appareil avant de retirer la bouilloire de.
23. Ne pas laissez les enfants ou adultes souffrant d'un handicap physique ou moral à moins d'être supervisés par un adulte responsable de leur sécurité.
24. Les enfants doivent toujours être supervisés pendant l'utilisation de l'appareil.
25. Ne jamais dépasser la limite maximum d'eau afin de ne pas provoquer des éclaboussures pouvant provoquer des brûlures.
26. La bouilloire doit être utilisée uniquement avec la base fournie et dans le cadre d'un usage domestique tel que dans les cuisines privées et des bureaux, dans les chambres d'hôtel ou tout autre résidence ou installation hôtelière.
27. Cet appareil n'est pas destiné à être utilisé par des personnes présentant des capacités réduites sur le plan physique, mental ou sensoriel ou bien manquant d'expérience ou de connaissance, (y compris les enfants), sauf si elles ont eu des instructions concernant l'utilisation de l'appareil par une personne responsable de leur sécurité et qu'elle en comprennent les risques.

Les enfants doivent être surveillés pour s'assurer qu'ils ne jouent pas avec l'appareil.

28. L'appareil ne doit pas être utilisé s'il a chuté, s'il y a des signes visibles de dommages ou en cas de fuite
29. N'utilisez pas l'appareil si son câble d'alimentation ou sa prise est endommagée, s'il ne fonctionne pas correctement, s'il a été abîmé ou s'il est tombé. Si le câble d'alimentation est endommagé, il doit être remplacé par le fabricant ou son agent ou encore par une personne qualifiée afin d'éviter tout risque.
30. Cet appareil peut être utilisé par des enfants âgés d'au moins 8 ans, à condition qu'ils bénéficient d'une surveillance ou qu'ils aient reçu des instructions quant à l'utilisation de l'appareil en toute sécurité et qu'ils comprennent bien les dangers encourus.
31. Conserver l'appareil et son câble hors de portée des enfants âgés de moins 8ans.
32. Lors de l'utilisation d'appareils électriques, des précautions de sécurité doivent toujours être prises pour prévenir tout risque d'incendie, de choc électrique et/ou de blessure en cas de mauvaise utilisation.
33. Vérifier que le voltage indiqué sur la plaque signalétique de l'appareil correspond bien à celui de votre installation électrique. Si ce n'est pas le cas, adressez-vous au revendeur et ne branchez pas l'appareil
34. Ne jamais laisser l'appareil sans surveillance lorsqu'il est en fonctionnement.

35. Ne jamais ouvrir l'appareil de face, toujours vous positionner légèrement sur le côté pour ne pas vous brûler avec la vapeur.

36. Le nettoyage et l'entretien par l'utilisateur ne doivent pas être effectués par des enfants, à moins qu'ils ne soient âgés de plus de 8ans et qu'ils soient sous la surveillance d'un adulte.

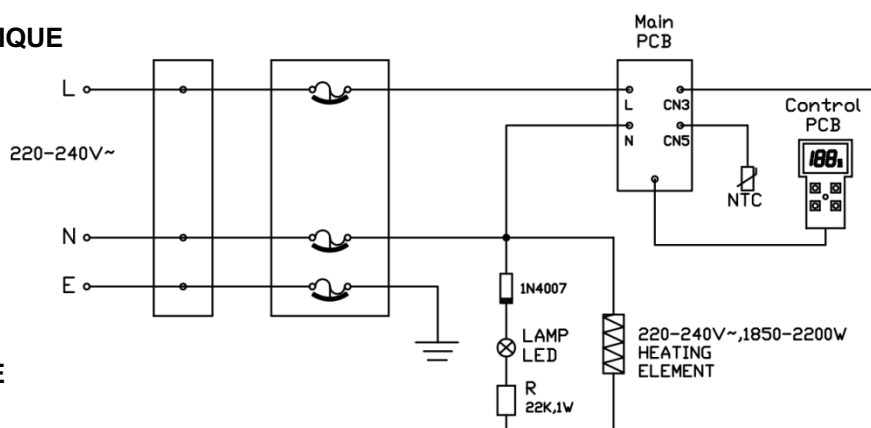
SPECIFICITES

Voltage/ Fréquence: 220-240V / 50Hz

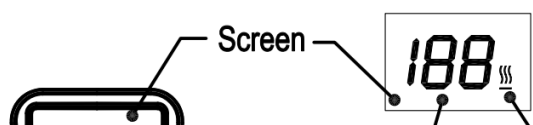
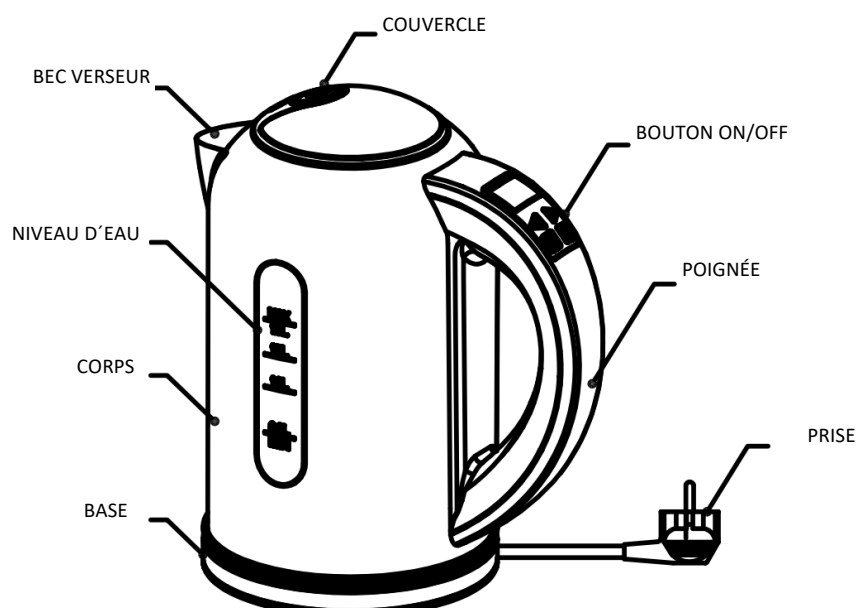
Puissance: 1850-2200W

Capacité: 1.7L

DIAGRAMME DU CIRCUIT ELECTRIQUE



COMPOSANTS DE LA BOUILLIOIRE



ÉCRAN

GARDER AU CHAUD

BAS

HAUT

GARDER AU CHAUD

FONCTIONNALITES

1. Le thermostat de haute qualité garantit une ébullition complète de l'eau selon les standards alimentaires.
2. Le triple système de sécurité garantit un résultat fiable, un control précis de la température, une utilisation sécurisée et une durée de vie plus longue de l'appareil.
3. Bouilloire amovible, tournant à 360 degrés permettant une utilisation facile.
4. Système de chauffe entièrement dissimulé, permettant une efficacité de chauffe maximale, une durée de vie prolongée, et un nettoyage facile.
5. La bouilloire est en inox ; résistant aux rayures ce matériau est facile à nettoyer tout en étant conservant son esthétique noble pendant longtemps.
6. L'eau sera portée à ébullition en 5 à 8 minutes selon la quantité.
7. Le niveau de l'eau peut être vu depuis l'extérieur.
8. Le témoin lumineux vous indique lorsque l'eau bout et la bouilloire s'éteint une fois l'eau est à ébullition.
9. Son apparence élégante et son côté pratique font de cette bouilloire le cadeau idéal pour un ami et peut être exposée sans problème dans des pièces décorées telles que le salon ou la salle à manger.

UTILISATION

1. Fonction d'ébullition

Ouvrez le couvercle et remplissez la bouilloire d'eau (attention à ne pas dépasser le niveau maximum de l'eau, soit 1.8L et à respecter le niveau minimum soit 0.8 L, et refermez le couvercle.

Branchez la prise et déposez la bouilloire sur la base. L'écran LCD ne devrait rien afficher ce qui veut dire que la bouilloire est en veille. Vous pouvez tout de même utiliser les boutons 'I/O', '+' et '-'.

Méthode 1: Pressez les boutons '+' ou '-', l'écran LCD affiche 40°C. Pressez '+' ou '-' à nouveau, choisissez la température d'ébullition de l'eau, puis pressez 'I/O', l'écran LCD clignotant indique que l'eau est à ébullition. Si vous ne pressez pas le bouton 'I/O', l'écran LCD ne clignote plus au bout de 10 secondes, Si l'écran LCD est éteint, la bouilloire est de nouveau en veille.

Méthode 2: Pressez les boutons '+' ou '-' et sélectionnez la température (si vous pressez seulement le bouton 'I/O', la température se programme automatiquement à 100°C.

L'écran LCD affiche '100' et clignote jusqu'à ébullition. Si vous fixez le thermostat à 100 °C, l'eau atteindra 100 °C exactement.

Pendant l'ébullition, vous pouvez presser les boutons '+' ou '-', pour réajuster les températures. Si vous sélectionnez une température supérieure à celle de l'eau, la bouilloire continuera à chauffer, si vous sélectionnez une température inférieure la bouilloire s'arrête. Lorsque la température sélectionnée est atteinte, la résistance arrête de chauffer. Un décompte de 2 minutes commence, au bout duquel l'écran LCD s'éteint et la bouilloire se met en veille.

Une fois l'eau à ébullition, un décompte de 2 minutes commence, au bout duquel l'écran LCD s'éteint et la bouilloire se met en veille. Si pendant ces 2 minutes vous pressez le bouton 'I/O', la bouilloire se met immédiatement en veille. Si vous pressez les boutons '+' ou '-' et ne pressez pas le bouton 'I/O' ensuite, au bout de 10 secondes l'écran LCD n'affichera plus rien et le processus de chauffe commence. Si vous pressez les boutons '+' ou '-' et pressez le bouton 'I/O' ensuite, le paramétrage s'annule.

2. Fonctions de maintien au chaud

Ouvrez le couvercle et remplissez la bouilloire d'eau (attention à ne pas dépasser le niveau maximum de l'eau, soit 1.8L et à respecter le niveau minimum soit 0.8 L, et refermez le couvercle.

Branchez la prise et déposez la bouilloire sur la base. L'écran LCD ne devrait rien afficher ce qui veut dire que la bouilloire est en veille. Vous pouvez tout de même utiliser les boutons 'I/O', '+' et '-'.

La plus haute température que vous pouvez maintenir est de 90 °C, si la température est plus élevée que 90 °C et vous pressez le bouton '⏏', ça ne fonctionnera pas. Lorsque vous pressez le bouton '⏏' et que ensuite vous devez régler la température à 90 °C en pressant le bouton '+' ça ne marchera pas.

Méthode 1: Pressez les boutons '+' ou '-', l'écran LCD affiche 40°C, pressez les boutons '+' ou '-' et choisissez la température que vous voulez maintenir, pressez ensuite le bouton '⏏' puis le bouton 'I/O'. L'écran LCD et le symbole '⏏' clignotent, la bouilloire est alors en mode de maintien de température et commence à chauffer l'eau jusqu'à la température désirée. Une fois l'eau chauffée, si vous ne pressez pas le bouton 'I/O' et que le point à droite de l'écran LCD ne clignote pas, la bouilloire se mettra en veille au bout de 10 secondes.

Méthode 2: Pressez le bouton '⏏', et pressez le bouton '+' ou '-' pour sélectionner la température que vous souhaitez maintenir. Pressez ensuite le bouton 'I/O' pour activer la fonction de maintien au chaud. L'écran LCD et le symbole '⏏' en bas à droite de l'écran clignotent. La fonction maintien au chaud est active et l'eau commence à chauffer jusqu'à la température désirée.

Pendant que l'eau bout, pressez les boutons '+' ou '-', c pour ajuster la température. Si la température choisie est inférieure à la température de l'eau, le maintien au chaud s'annule. Si la température choisie est supérieure à celle de l'eau, celle-ci continuera de chauffer. Si vous sélectionnez la température de l'eau, la résistance ne chauffera plus. Au bout de 4 heures l'écran LCD s'éteindra et la bouilloire se remettra en veille.

Quand la température souhaitée est atteinte, la résistance arrête de chauffer et la fonction de maintien au chaud s'active.

Si la température est inférieure à la température demandée, la résistance chauffe et l'écran LCD ainsi que le symbole '⏏' clignotent. Un fois la température programmée atteinte ou dépassée, la résistance arrête de chauffer. Le mode maintien au chaud se réinitialise.

Si en mode maintien au chaud vous pressez le bouton '⏏', la bouilloire retourne en mode normal et continue à chauffer l'eau.

En mode de maintien au chaud, au bout de 4 heures, l'écran LCD s'éteint et la bouilloire se met en veille. Si vous pressez le bouton 'I/O', l'écran LCD s'éteint et la bouilloire passe directement en mode veille.

COMMENT NETTOYER LA BOUILLOIRE

1. Débranchez l'appareil et laissez la bouilloire refroidir totalement avant de la nettoyer.
2. Ne jamais immerger la bouilloire ou tout autre composant dans de l'eau ou tout autre liquide, même débranchée !
3. Ne jamais exposer l'appareil à l'eau ou à haute humidité.
4. Vous pouvez nettoyer la bouilloire avec un chiffon très légèrement humide, mais n'utilisez jamais de produit abrasif car ceci pourrait endommager l'extérieur de la

bouilloire. De même seul un chiffon doux convient au nettoyage, des éponges abrasives ou brosses, etc sont déconseillées.

Le nettoyage et l'entretien par l'utilisateur ne doivent pas être effectués par des enfants, à moins qu'ils ne soient âgés de plus de 8ans et qu'ils soient sous la surveillance d'un adulte

COMMENT ELIMINER LE CALCAIRE

Pour assurer un fonctionnement optimal de la bouilloire et une bonne durée de vie, il est conseillé de ne pas laisser le calcaire s'accumuler car ceci pourrait l'endommager prématurément.

Pour éviter cela, un détartrage régulier est recommandé, vous pouvez à cet effet procéder de différentes manières :

1. Utilisez un produit prévu à cet effet et suivez les instructions fournies avec le produit.
2. Versez 0.5 litres de vinaigre blanc et laissez reposer pendant une heure. Jetez le vinaigre et rincez à l'eau claire 4 ou 5 fois.
3. Versez 0.5 litres d'eau dans la bouilloire et portez à ébullition. Ajoutez 25 grammes d'acide citrique et laissez 15 minutes avant de rincer 4 ou 5 fois à l'eau claire.

PANNES POTENTIELLES ET DEPANNAGE

Panne	Sources de la panne et solutions
La bouilloire s'éteint après ébullition	<ol style="list-style-type: none">1. Détartrez la bouilloire, il se peut qu'elle soit trop entartrée.2. Il se peut qu'il n'y ait pas assez d'eau dans la bouilloire ou qu'elle soit vide. Pour relancer la bouilloire il faut ajouter assez d'eau et attendre 2 minutes avant que le système de sécurité permette à la bouilloire de fonctionner à nouveau.
La bouilloire ne fonctionne pas	<ol style="list-style-type: none">1. Vérifier que la prise est bien branchée.2. Si le câble d'alimentation est endommagé vous devez confier l'appareil à un professionnel pour les réparations.3. Si vous avez fait fonctionner la bouilloire à vide ou avec un niveau d'eau insuffisant, vous devez la remplir et attendre 2 minutes avant de pouvoir l'utiliser à nouveau.
L'eau a une odeur particulière	<ol style="list-style-type: none">1. Cela peut se produire lors de la première utilisation mais disparaît ensuite.2. Si le problème persiste, faites bouillir de l'eau et ajoutez deux cuillères de bicarbonate de soude, laissez reposer et rincez.
L'eau est trouble ou vous voyez du calcaire	Si l'eau est dure dans votre région, ceci est normal et peut se produire régulièrement. Bien que ce phénomène soit inoffensif, il est recommandé de détartrer encore plus régulièrement l'appareil.

ENVIRONNEMENT

ATTENTION :



Vous ne devez pas vous débarrasser de cet appareil avec vos déchets ménagers. Un système de collecte sélective pour ce type de produit est mis en place par les communes, vous devez vous renseigner auprès de votre mairie afin d'en connaître les emplacements. En effet, les produits électriques et électroniques peuvent contenir des substances dangereuses qui ont des effets néfastes sur l'environnement ou la santé humaine et doivent être recyclés. Le symbole ci-contre indique que les équipements électriques et électroniques font l'objet d'une collecte sélective, il représente une poubelle sur roues barrée d'une croix.

Adeva SAS / H.Koenig Europe - 8 rue Marc Seguin - 77290 Mitry Mory - France
www.hkoenig.com - sav@hkoenig.com - contact@hkoenig.com - Tél: +33 1 64 67 00 01

DEUTSCH

WICHTIGE SICHERHEITSHINWEISE

LESEN SIE SORGFÄLTIG UND BEWAHREN SIE ES ZUM NACHSCHLAGEN

Vor der Verwendung dieses Geräts lesen Sie dieses Handbuch. Stellen Sie sicher, dass Sie wissen, wie die Gerätefunktionen und wie es zu bedienen. Pflegen Sie das Gerät nicht in Übereinstimmung mit den Anweisungen, um sicherzustellen, dass es richtig funktioniert. Bewahren Sie dieses Handbuch mit dem Gerät. Wenn das Gerät von einem Dritten verwendet werden, muss diese Bedienungsanleitung mit ihm geliefert werden. Die Sicherheitsanweisungen nicht von selbst beseitigen jede Gefahr vollständig und richtig Unfallverhütungsmaßnahmen müssen immer verwendet werden. Kann keine Haftung für Schäden, die durch Nichtbeachtung dieser Vorschriften oder anderen unsachgemäßen Gebrauch oder unsachgemäße Handhabung akzeptiert. Verwenden Sie dieses Gerät nicht, wenn sie heruntergefallen oder in irgendeiner Weise beschädigt ist oder wenn das Netzkabel beschädigt ist.

SICHERHEIT

1. Halten Sie das Gerät fern von ihren Kindern oder geistig behinderten Person, oder wenn Kinder in der Nähe sind, wenn es in Gebrauch ist, müssen sie streng von Erwachsenen überwacht werden, damit dieses Produkt nicht als Spielzeug von dem Kind benutzt werden kann.
2. Bevor Sie den Strom anschalten, überprüfen Sie bitte, ob die Spannung des Kochers die gleiche ist, wie die Spannung die auf dem Kessel vermerkt ist (Nennspannung am Boden des Kessels markiert). Wenn

es nicht übereinstimmt, verwenden Sie nicht und kontaktieren Sie Ihren Händler vor Ort.

3. Während Sie das Wasser einfüllen, das Gerät reinigen, oder wenn es nicht in Gebrauch ist, schalten Sie den Kocher aus und ziehen den Stecker.
4. Wenn Sie Wasser einfüllen, halten Sie bitte das Wasser weg von der Unterseite, bevor Sie es mit der Basis verbinden, wischen Sie bitte unten mit einem trockenen Tuch Wasserperlen weg, um die Gefahr von einem Stromschlag oder Kurzschluss zu vermeiden.
5. Das eingefüllte Wasser sollte den maximalen Wasserstand nicht übersteigen, oder kochendes Wasser kann verschütten und Gefahren können verursacht werden.
6. Bitte verwenden Sie dieses Produkt in der horizontalen Ebene.
7. Das dehnbare Netzkabel kann einen Unfall verursachen, deswegen empfiehlt es sich, wenn das Wasser kocht, um eine Gefahr von Verbrühungen zu vermeiden, benutzen Sie bitte den Kocher in der Nähe der Steckdose neben der Wand.
8. Um Verbrennungen zu vermeiden, stellen Sie sicher, dass Sie den Deckel richtig schließen, bevor Sie den Kocher verwenden.
9. Wenn der Kocher in Betrieb ist, öffnen Sie den Deckel nicht und bewegen Sie den Kocher nicht, es kann zu Verbrennungen kommen.
10. Um elektrische Gefahren zu vermeiden, bitte tauchen Sie dieses Produkt und das Stromkabel nicht in Flüssigkeiten.
11. Bei einer Raumtemperatur unter 0 Grad Celsius, lassen die Stromversorgung des Wasserkochers bitte nicht die ganze Zeit mit dem Netzstecker verbunden, da

sonst der automatische Temperaturregler automatisch zurückgesetzt wird, so dass es bei dem Element zum Erhitzen führt.

12. Um die Gefahr bei einem beschädigten Netzkabel zu vermeiden, können Sie das gleiche Modell der Stromleitung durch die Mitarbeiter der Instandhaltungsabteilung der Manufaktur ersetzt bekommen.
13. Lassen Sie den Wasserkocher nicht verbrennen, wenn er nicht in Gebrauch ist, stellen Sie sicher, dass er von der Stromversorgung abgeschnitten ist.
14. Wenn Sie den Kocher reinigen, entfernen Sie die Basis, wischen Sie das Wasser von der Basis bevor Sie ihn wieder benutzen.
15. Die Produkt muss zusammen mit der mitgelieferten Basis verwendet werden.
16. Dieses Produkt kann nur verwendet werden, um Wasser zu erhitzen, nicht für andere Zwecke, bitte fügen Sie dem Wasser keine anderen löslichen Getränke, wie Kaffee, Suppe, Milch und andere Stoffe hinzu.
17. Wenn Sie Wasser kochen öffnen Sie bitte nicht den Deckel.
18. Wenn Sie das das kochende Wasser ausgießen, sein Sie sehr vorsichtig und langsam, um Verletzungen zu vermeiden.
19. Die verwendete Steckdose ist mit einer guten Drei-Leiter-Netzsteckdose geerdet.
20. Wenn Sie den Stecker herausziehen, ziehen Sie bitte nicht an dem Netzkabel, sondern ziehen Sie bitte an dem Stecker mit der Hand.
21. Bedienen Sie dieses Gerät nicht, wenn Sie nasse Hände haben.

22. Achten Sie darauf, den Netzschalter auszuschalten, bevor Sie die Basis entfernen.
23. Das Gerät darf nicht von Kindern oder Personen mit eingeschränkten physischen, sensorischen oder geistigen Fähigkeiten oder Mangel an Erfahrung und Wissen verwendet werden, es sei denn, sie werden beaufsichtigt oder haben entsprechende Instruktionen erhalten.
24. Kinder müssen beaufsichtigt werden, um nicht mit dem Gerät zu spielen.
25. Wenn der Kocher überfüllt ist, kann kochendes Wasser herausspritzen.
26. Die Gebrauchsanweisung für schnurlose Kocher, der zur Verfügung gestellt wird, muss angeben, dass der Kessel nur mit dem Ständer verwendet werden soll. Dieses Gerät soll im Haushalt und ähnlichen Anwendungen eingesetzt werden:
- Mitarbeiter Küchenbereich in Läden, Büros und anderen Arbeitsumgebungen
 - Bauernhäuser
 - Für Kunden in Hotels, Motels und anderen Wohnumgebungen
 - Bed and Breakfast Wohnumgebung
27. Dieses Gerät ist nicht für Personen mit eingeschränkter Kapazität aufgrund körperlicher, geistiger oder sensorischer oder mangelnder Erfahrung und Kenntnisse (einschließlich Kindern) bestimmt, es sei denn, sie haben Anweisungen zur Verwendung des Geräts durch eine für ihre Sicherheit verantwortliche Person erhalten . und dass sie die Risiken verstehen. Kinder sollten beaufsichtigt werden, um sicherzustellen , dass sie nicht mit dem Gerät spielen.

28. Das Gerät darf nicht benutzt werden, wenn es fallen gelassen wurde, wenn auffällige Zeichen von Beschädigungen sichtbar sind oder wenn es undicht ist
29. Bedienen Sie das Gerät nicht, wenn das Kabel oder der Stecker beschädigt ist, wenn es nicht richtig funktioniert, heruntergefallen ist oder anderweitig beschädigt wurde. Wenn das Stromkabel in jeglicher Weise beschädigt ist, darf es nur vom Hersteller, einer von ihm beauftragten Werkstatt oder einer ähnlich qualifizierten Person ersetzt werden, um Gefährdungen zu vermeiden.
30. Dieses Gerät darf von Kindern ab 8 Jahren benutzt werden, sofern diese beaufsichtigt werden oder eine Einweisung in den sicheren Gebrauch des Geräts erhalten haben und die damit verbundenen Gefahren verstehen.
31. Bewahren Sie das Gerät und das zugehörige Netzkabel außerhalb der Reichweite von Kindern unter 8 Jahren auf.
32. Bei der Verwendung elektrischer Geräte sind stets Sicherheitsvorkehrungen zu treffen, um bei unsachgemäßer Verwendung die Gefahr von Bränden, elektrischen Schlägen und/oder Verletzungen zu vermeiden.
33. Achten Sie darauf, dass die auf dem Typenschild angegebene Nennspannung mit Ihrer Netzspannung übereinstimmt Ihrer Installation. Wenn dies nicht der Fall ist, wenden Sie sich an den Händler und schließen Sie das Gerät nicht an.
34. Lassen Sie das Gerät während des Betriebs niemals unbeaufsichtigt.

35. Öffnen Sie das Gerät niemals von vorne, sondern stellen Sie sich immer leicht zur Seite, um sich nicht mit Dampf zu verbrennen.

36. Kinder dürfen das Gerät nur reinigen oder pflegen, wenn sie mindestens 8 Jahre alt sind und von einem Erwachsenen beaufsichtigt werden.

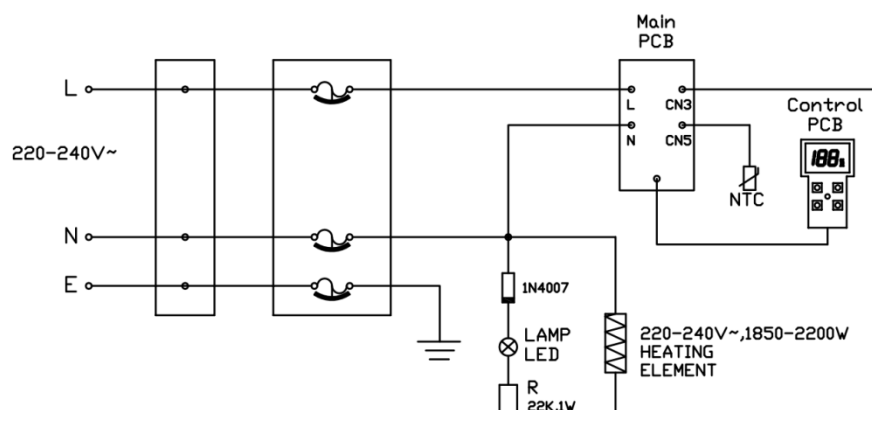
TECHNISCHE DATEN

Nennspannung / Frequenz: 220-240V / 50Hz

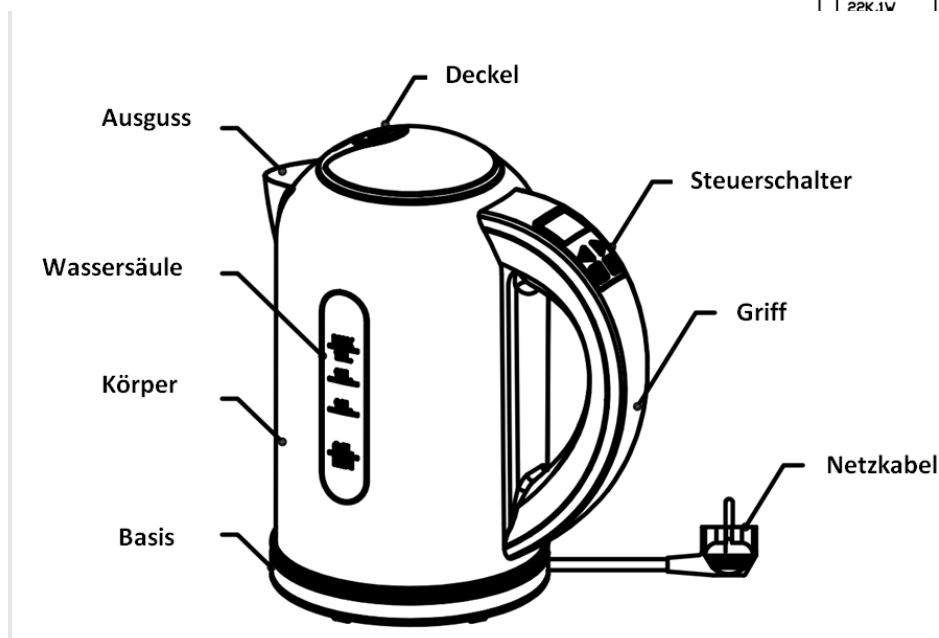
Nennleistung: 1850-2200W

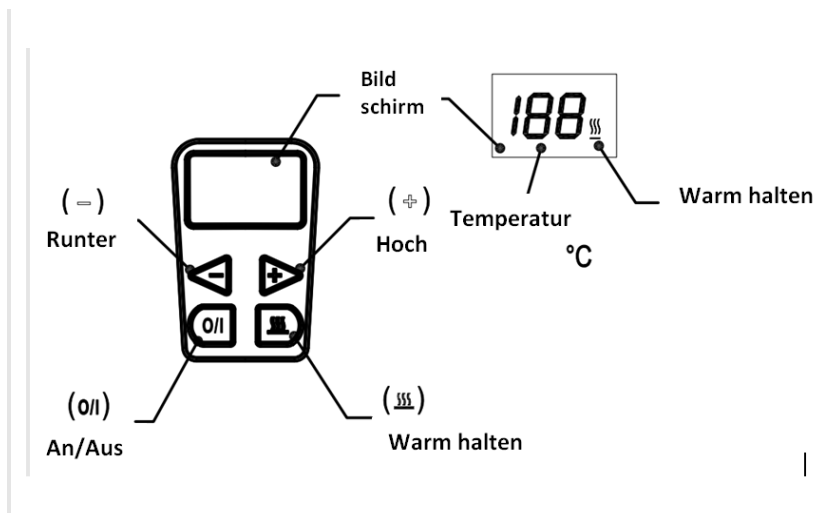
Nennleistung: 1.7L

SCHALTSKIZZE



TEIL BESCHREIBUNG





EIGENSCHAFTEN

1. Der hochwertige Temperaturregler sorgt für 100% Kochen, Lebensmittelqualität Kunststoff in Übereinstimmung mit den nationalen Gesundheitsstandards.
2. Mit dreifacher Sicherheitsschutzeinrichtung, genaue Temperaturreglung, sicherere Nutzung, längere Lebensdauer.
3. Drahtloser- Typ Körper -Design, 360-Grad-Drehung der Basis um den richtigen Ort zu vermeiden, einfach zu bedienen.
4. Verborgenes Heizelement Design, hohe thermische Effizienz, lange Lebensdauer, leicht zu reinigen.
5. Edelstahl Kesselkörper Hochglanz poliert, dauerhaft schön, edel und großmütig, Gesundheit und langlebig.
6. Heitzt zum Sieden schnell nach 5-8 Minuten, nach dem es mit Wasser aufgefüllt wurde.
7. Erkennen Sie den Wasserstand auf einen Blick auf der Wassersäule.
8. Die Kontrollleuchte zeigt, dass der Kessel die Leistung nach dem Wasser Kochen automatisch abschaltet.
9. Mit elegantem Aussehen, einzigartigen Funktionen, sei es das feine Geschenk eines neuen Freundes, nach den Anforderungen des Lebens von Schnellebigkeit in den Familien und Wohnräumen.

GEBRAUCH

1. Siedewasserfunktion

Öffnen Sie den Deckel und füllen Sie Wasser ein (nicht mehr als den maximalen Wasserstand 1.8 L und nicht weniger als Mindestwasserstand 0.8 l), dann machen Sie den Deckel wieder zu.

Schalten Sie den Strom ein, stellen Sie den Körper auf die Basis. Jetzt erscheint nichts in LCD, das bedeutet das der Kocher im Standby-Modus ist. Wenn der Kocher in dem Standby-Modus ist, können Sie nur die 'I / O' und sie können die '+' und '-' Tasten verwenden.

Methode 1: als erstes drücken Sie '+' oder '-', die LCD zeigt 40°C. Drücken Sie '+' oder '-' nochmal, wählen Sie um die Temperatur für das kochende Wasser einzugeben und drücken Sie dann 'I/O', LCD leuchtet konstant auf, das heißt das Wasser kocht; Wenn nicht drücken Sie 'I/O', LCD wird nicht flackern, nach 10 Sekunden, LCD kein Bildschirm, der Kocher geht zurück auf Standby-Modus.

Methode 2: Drücken Sie zuerst die '+' oder '-' Taste und wählen Sie die Temperatur für das kochende Wasser (Wenn Sie 'I/O' drücken, wird das Wasser Standardgemäß auf 100°C heizen).

Die LCD Anzeige zeigt '100', LCD wird weiter blinken, in siedendem Wasser. Wenn Sie das Wasser auf 100°C einstellen, muss das Wasser 100°C haben.

Während das Wasser kocht, drücken Sie '+' oder '-', so können Sie die Temperatur zurücksetzen. Wenn die eingestellte Temperatur höher ist, als die tatsächliche Wassertemperatur, kochen Sie das Wasser weiter; Wenn die tatsächliche Wassertemperatur so hoch ist wie die eingestellte, wird das Heizrohr aufhören zu arbeiten und die elektronische Platte startet die Zeit, ungefähr 2 Minuten später wird die LED nicht mehr angezeigt, das heißt das der Kocher in den Standby-Modus zurückkehrt.

Wenn das Wasser gekocht hat, stoppt das Heizrohr zu heizen, die elektronische Platte startet die Zeit, ungefähr zwei Minuten später zeigt das LCD nichts an, der Wasserkocher kehrt in den Standby-Modus zurück. Nach 2 Minuten, drücken Sie 'I/O', das LCD zeigt nichts, der Wasserkocher kehrt in den Standby-Modus zurück. Wenn Sie '+' oder '-'

drücken, und Sie drücken 'I/O' nochmal, startet die elektronische Platte die Zeit, ungefähr 10 Sekunden später, LCD ohne irgendeine Anzeige. Wenn Sie '+' oder '-' drücken und 'I/O' nochmal drücken, wird die elektronische Platte die Arbeit wieder aufnehmen.

2. Isolations Funktion

Öffnen Sie den Deckel und füllen Sie Wasser ein (nicht mehr als den maximalen Wasserstand 1.8 L und nicht weniger als Mindestwasserstand 0.8 l), dann machen Sie den Deckel wieder zu..

Schalten Sie den Strom ein, stellen Sie den Körper auf die Basis. Es wird auf dem LCD nichts erscheinen, das heißt das der Kocher im Standby-Modus ist. Wenn der Wasserkocher im Standby-Modus ist, können Sie nur die Tasten 'I/O' und '+' und '-' benutzen.

Die höchste Wärmekonservierungstemperatur kann nur bei 90°C eingestellt werden: Wenn die eingestellte Temperatur und die tatsächliche Temperatur höher als 90°C ist, dann drücken Sie die Taste '|||' es wird nicht funktionieren; Wenn die '|||' Taste gedrückt wird und die eingestellte Temperatur auf 90°C ist und sie dann '+' drücken, wird es nicht arbeiten.

Methode 1: drücken Sie zuerst '+' oder '-', die LCD zeigt 40°C, drücken Sie dann die '+' oder '-' Taste und stellen Sie die Wärmekonservierungstemperatur ein, drücken Sie die ' ' Warmhaltetaste, und dann drücken Sie 'I/O' nochmal, LCD und die Anzeige wird unter der LCD aufleuchten. Der Kocher befindet sich jetzt in der Konservierung und beginnt das Wasser zu kochen. Wenn Sie in diesem Moment nicht die 'I/O' Taste drücken, wird die LCD und die Leuchte unter dem LCD nicht aufleuchten, nach 10 Sekunden zeigt das LCD nichts an und der Kocher geht in den Standby-Modus zurück.

Methode 2: Sie können '|||' drücken und dann drücken Sie die '+' oder '-' Taste und Sie stellen die Konservierungstemperatur ein, dann drücken Sie 'I/O' Wärmekonservierung, die LCD und das Zeichen unter der LCD fängt an zu leuchten, Der Kocher befindet sich jetzt in der Konservierung und beginnt das Wasser zu kochen..

Während das Wasser kocht, drücken Sie '+' oder '-', so können Sie die Wärmekonservierungstemperatur zurücksetzen. Wenn die eingestellte Temperatur höher ist als die tatsächliche Temperatur, lassen Sie das Wasser weiter kochen; Wenn die tatsächliche Temperatur so hoch ist wie die eingestellte, wird das Heizrohr aufhören zu heizen und die elektronische Platte startet die Zeit, ungefähr 4 Stunden später, zeigt das LCD nichts an, der Kocher geht in den Standby-Modus zurück.

Wenn die Temperatur vom kochenden Wasser so hoch ist wie die eingestellte Temperatur stoppen die Heizrohre zu heizen und der Kocher beginnt die Wärmekonservierung.

Wenn die Wassertemperatur niedriger ist als die eingestellte Temperatur, beginnen die Heizrohre zu heizen bis die eingestellte Temperatur erreicht wird, und die LCD und das Zeichen '|||' unter der LCD beginnen zu leuchten. Wenn die Wassertemperatur gleich oder höher ist als die eingestellte Temperatur, stoppen die Heizrohre zu heizen, es befindet sich im Isolationszustand, die LCD und das Zeichen unter der LCD werden nicht aufleuchten, und der Vorgang wiederholt sich.

Während der Wärmekonservierung können Sie die '|||' Taste drücken, um die Wärmekonservierungsfunktion zu beenden und das Wasser wieder kochen zu lassen.

Wenn es in die Wärme Isolation wechselt, startet die elektronische Platte, ungefähr 4 Stunden später zeigt das LCD nichts an, der Kocher geht in den Standby-Modus innerhalb einer Stunde, drücken Sie 'I/O', LCD zeigt nichts an, der Kocher geht zurück in den Standby-Modus.

REINIGUNG DES WASSERKOCHERS

1. Ziehen Sie bitte den Netzstecker und lassen Sie den Kocher vor der Reinigung abkühlen.
2. Bitte tauchen Sie den Kocher, das Netzkabel, den Netzstecker und die Steckdose nicht in Wasser.
3. Stellen Sie sicher, dass die elektronische Leitungsschaltung trocken ist.

4. Bitte wischen Sie den Kesselkörper mit einem feuchten Tuch ab. Bitte verwenden Sie keine Scheuerpulver, Reinigungsprodukte, damit werden sie die Oberflächeneigenschaften des Kessels beschädigen.

Kinder dürfen das Gerät nur reinigen oder pflegen, wenn sie mindestens 8 Jahre alt sind und von einem Erwachsenen beaufsichtigt werden.

KALKABLAGERUNGEN ENTFERNEN

Um einen guten Betriebszustand des Kochers zu halten, müssen Sie Kalkablagerungen regelmäßig entfernen. Wenn das Gerät vorher bei der Arbeit ausfällt, weist es daraufhin, dass Sie den Kalk aus dem Kocher entfernen müssen. Bitte verwenden Sie die folgenden verschiedenen Methoden, um den Kalk zu entfernen:

1. Bitte benutzen Sie zugehöriges Produkt, das den Kalk gut entfernen kann, verwenden Sie es wie in den Produktanweisungen beschrieben.
2. Bitte fügen Sie 0,5 Liter acht Grad weißen Essig in den Topf, es dauert 1 Stunde, um es einzuweichen, dann lassen Sie den weißen Essig abtropfen, schließlich waschen Sie es 4-5 mal mit sauberem Wasser aus.
3. Bitte fügen Sie 0,5 Liter Wasser in den Topf und kochen es dann, fügen Sie dann 25 Gramm Zitronensäure hinzu, lassen Sie es 15 Minuten einweichen, schließlich waschen Sie es 4-5 mal mit sauberem Wasser.

FEHLERBEHEBUNG

Fehler	Fehlerquellen und Möglichkeiten der Fehlerbehebung
Es schaltet sich automatisch vor dem Kochen aus	1. Es kann durch das Entfernen des Kalks ausgelöst werden, dies ist oft verursacht durch Kalk. 2. Es kann auch aufgrund unzureichendem Wasser im Kessel oder leeren Kessel sein, es startet automatisch die Schutzeinrichtungen, um Verbrennungen zu vermeiden, wir befolgen diese Schritte, um die Einstellungen zurückzusetzen: wir fügen wieder kaltes Wasser in den Kessel, die Schutzeinrichtung setzt sich nach ca. 2 Minuten zurück, dann kann der Kessel benutzt werden.
Der Wasserkocher funktioniert nicht	1. Überprüfen Sie bitte, ob das Netzkabel mit der Steckdose verbunden ist. 2. Wenn das Netzkabel beschädigt ist, müssen Sie es mit dem gleichen Typen durch die Mitarbeiter der Instandhaltungsabteilung der Manufaktur ersetzen lassen. 3. Wenn der Kocher beginnt zu verbrennen, wird die Schutzeinrichtung den Strom abschalten.
Es ist ein kleiner eigenartiger Geruch in dem Wasser	1. Dieses Phänomen tritt normalerweise auf, wenn der Kocher zum ersten Mal verwendet wird. Um diese Probleme zu lösen, verwenden Sie Artikel 6. 2. Wenn dieses Problem weiterhin besteht, geben Sie Wasser in den Topf auf die maximale Position, fügen Sie zwei Esslöffel Saleratus zum Wasser und gießen Sie das Wasser nach dem Kochen ab.
Das Wasser ist dreckig oder in dem Wasser ist Kalk	Das lokale Wasser kann hart sein, Wasser dieser Art wird durch Calciumcarbonat und Magnesiumcarbonat verursacht, entfernen Sie regelmäßig die Kalkablagerungen.

UMWELT

ACHTUNG:



Werfen Sie nicht dieses Produkt, wie es mit anderen Haushaltsprodukten hat. Es gibt eine Mülltrennung von diesem Produkt in Gemeinden, Sie müssen Ihre lokalen Behörden über die Orte, wo man dieses Produkt zurückgeben können zu informieren. In der Tat enthalten elektrische und elektronische Produkte gefährliche Stoffe, die schädliche Auswirkungen auf die Umwelt oder die menschliche Gesundheit haben und sollte recycelt werden. Das Symbol hier darauf hinweisen, dass elektrische oder elektronische Geräte sollten sorgfältig ausgewählt werden, ist ein fahrbarer Abfallbehälter mit einem Kreuz markiert.

Adeva SAS / H.Koenig Europe - 8 rue Marc Seguin - 77290 Mitry Mory - France

www.hkoenig.com - sav@hkoenig.com - contact@hkoenig.com - Tél: +33 1 64 67 00 01

NEDERLANDS

BELANGRIJKE VEILIGHEIDSINSTRUCTIES

LEES ZORGVULDIG EN BEWAAR VOOR TOEKOMSTIGE VERWIJZINGEN

Lees deze gebruiksaanwijzing zorgvuldig voor het in gebruik nemen van het apparaat. Zorg ervoor dat u weet hoe het apparaat werkt en hoe u het moet gebruiken. Bewaar deze gebruiksaanwijzing bij het apparaat. Als het apparaat gebruikt wordt door een derde partij, moet de gebruiksaanwijzingen erbij worden gegeven. De veiligheidsinstructies voorkomen niet automatisch al het gevaar en geschikte veiligheidsmaatregelen moeten altijd getroffen worden. Aansprakelijkheid wordt niet geaccepteerd bij schade veroorzaakt door het niet volgens de veiligheidsinstructies opereren of het ongeoorloofd gebruik van het apparaat. Gebruik dit apparaat niet als het ooit is gevallen of beschadigd is op wat voor een manier dan ook, of als de stroomkabel is beschadigd

VEILIGHEID

1. Bewaar Uit de buurt van hun kinderen of geestelijk gehandicapte, of er kinderen tijdens het gebruik, kunt u ze strikt toezicht van volwassenen, naast, kan dit product niet worden afgespeeld als een stuk speelgoed van het kind.
2. Alvorens point Verbinden de kracht, controleer dan of het gebruik van spanning van de ketel is in lijn met de spanning aangegeven op de ketel of niet (nominale spanning gemerkt aan de onderkant van de ketel). Als het uit van de lijn, geen gebruik maken, en neem contact op met uw plaatselijke dealer.
3. During vullen water, schoonmaak, of wanneer deze niet in gebruik is, schakelt de ketel uit en trek de stekker.

4. Wanneer het vullen van water, gelieve u het water uit de buurt van de bodem van de waterkoker te houden, naast, voordat u de basis, dan kunt u wegvegen kralen van het water onderaan met een droge doek om het risico van een elektrische schok of kortsluiting te voorkomen.
5. Hoeveelheid water mag niet hoger zijn dan de maximale waterstand of kokend water kan morsen en gevaar veroorzaken.
6. Gebruik dit product op een vlakke ondergrond.
7. Het netsnoer kan een ongeluk veroorzaken, wordt aanbevolen om bij het koken van water, om te voorkomen struikelen waterkoker, dan voor zorgen dat het gevaar voor brandwonden, zorg er dan voor de ketel in de buurt van het stopcontact naast de muur.
8. To voorkomen brandwonden, zorg ervoor dat u de ketel deksel bevestigen is bedekt voor gebruik.
9. Wanneer verwarming, niet open de ketel deksel of verplaats de ketel, of kan worden verbrand.
10. In om elektrische gevaar te voorkomen, aarzel dan niet laat dit product en stroomleidingen ondergedompeld in een vloeistof.
11. At de kamer met de temperatuur lager dan 0 graden Celsius, aarzel dan niet laat de ketel voeding zijn aangesloten op stekker de hele tijd, anders zal de automatische temperatuurregelaar automatisch hersteld, zodat het leidt tot element te verwarmen.
12. Het netsnoer is beschadigd, om gevaar te vermijden, moet u hetzelfde model van de macht lijn vervangen door het personeel van de onderhoudsafdeling van de fabriek te gebruiken.
13. Do niet laten de ketel droogjes verbranden, wanneer niet in gebruik, zorg ervoor dat de stroom af te snijden.
14. Wanneer deze ketel schoonmaken, verwijder de basis,

dan kunt u veeg het water op de ketel waterkoker en de basis weer gebruiken.

15. Het product moet worden gebruikt met base aangeboden.
16. Dit product kan alleen worden gebruikt om water te verwarmen, niet voor andere doeleinden, aarzel dan niet de oplosbare dranken, koffie, soep, melk en andere stoffen toe te voegen aan water.
17. Wanneer kokend water, aarzel dan niet de ketel deksel te openen.
18. Bij het gieten kokend water, wees dan heel voorzichtig en langzaam, om te verwonden van heet water te voorkomen.
19. Het stopcontact wordt gebruikt in combinatie met een goede drie-core stopcontact geaard
20. Bij het uit het stopcontact halen van de stekker, trek dan niet aan het snoer, doe dit altijd met de hand.
21. Wanneer uw handen nat zijn, dan kunt u dit product niet bedienen.
22. Zorg ervoor dat de stroomschakelaar uit te schakelen voordat u de basis.
23. Het apparaat is niet voor gebruik door kinderen of personen met verminderde lichamelijke, zintuiglijke of geestelijke vermogens, of gebrek aan ervaring en kennis, tenzij ze onder toezicht staan of instructies
24. Kinderen onder toezicht niet te spelen met het apparaat
25. Indien de waterkoker te vol is, kan kokend water worden uitgeworpen
26. De instructies voor het gebruik van draadloze waterkokers wordt vermeld dat de ketel mag alleen worden gebruikt met de standaard voorzien. Dit apparaat is bedoeld voor gebruik in huishoudelijke en soortgelijke toepassingen als:

- Personeel keuken gebieden in winkels, kantoren en andere werkomgevingen
- Boerderijen
- Door klanten in hotels, motels en andere woonomgevingen
- Bed and breakfast soort omgevingen

27. Dit apparaat is niet bedoeld voor gebruik door personen met een verminderd lichamelijk, mentaal of sensorisch vermogen of gebrek aan ervaring en kennis (inclusief kinderen), tenzij zij instructies hebben gehad om het apparaat te gebruiken door een persoon die verantwoordelijk is voor hun veiligheid gebruik van het en begrijp de gevaren die ermee gepaard gaan. Kinderen moeten onder toezicht staan om ervoor te zorgen dat ze niet met het apparaat spelen.

28. Het apparaat mag niet worden gebruikt als het is gevallen, er zijn duidelijke tekenen van schade zichtbaar of er zijn lekken.

29. Gebruik dit apparaat niet als het een beschadigde kabel of stekker heeft, het niet correct werkt of als het beschadigd is of is gevallen. Als de stroomkabel beschadigd is, moet het worden vervangen door de fabrikant, klantenservice, servicemonteur of een gelijkwaardig gekwalificeerd persoon, om gevaren te vermijden.

30. Dit apparaat mag worden gebruikt door kinderen vanaf 8 jaar en ouder indien dit gebeurt onder toezicht, als zij van tevoren instructies hebben ontvangen betreffende het veilige gebruik van het apparaat en als zij de mogelijke gevaren kennen.

31. Houd het apparaat en het snoer buiten bereik van kinderen onder de 8 jaar.

32. Bij het gebruik van elektrische apparatuur moeten

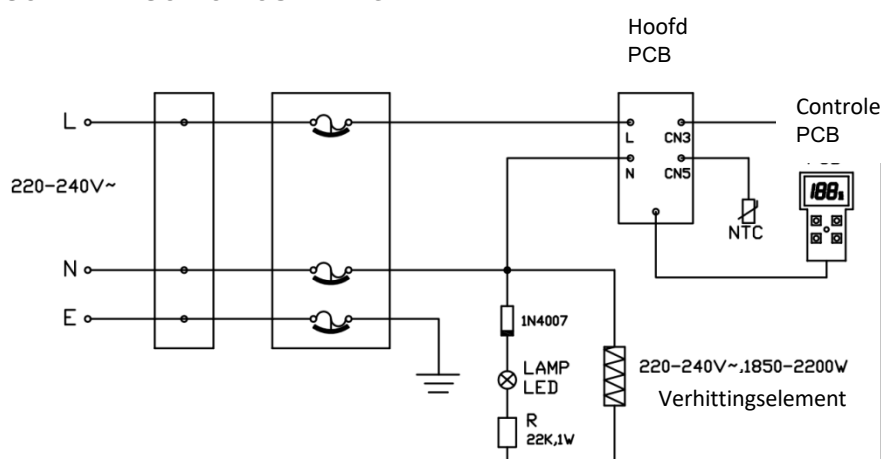
Altijd veiligheidsmaatregelen worden genomen om het risico van brand, elektrische schokken en/of letsel in geval van verkeerd gebruik te voorkomen.

33. Controleer of de spanning op het typeplaatje overeenkomt met de spanning die op het typeplaatje staat van uw installatie. Als dit niet het geval is, neem dan contact op met de dealer en sluit het apparaat niet aan.
34. Laat het apparaat nooit onbeheerd achter terwijl het in bedrijf is.
35. Open het apparaat nooit van voren, maar plaats uzelf altijd iets opzij om te voorkomen dat u zich met stoom verbrandt.
36. Reiniging en onderhoud mogen niet worden uitgevoerd door kinderen tenzij ze 8 jaar of ouder zijn en onder toezicht van een volwassene staan.

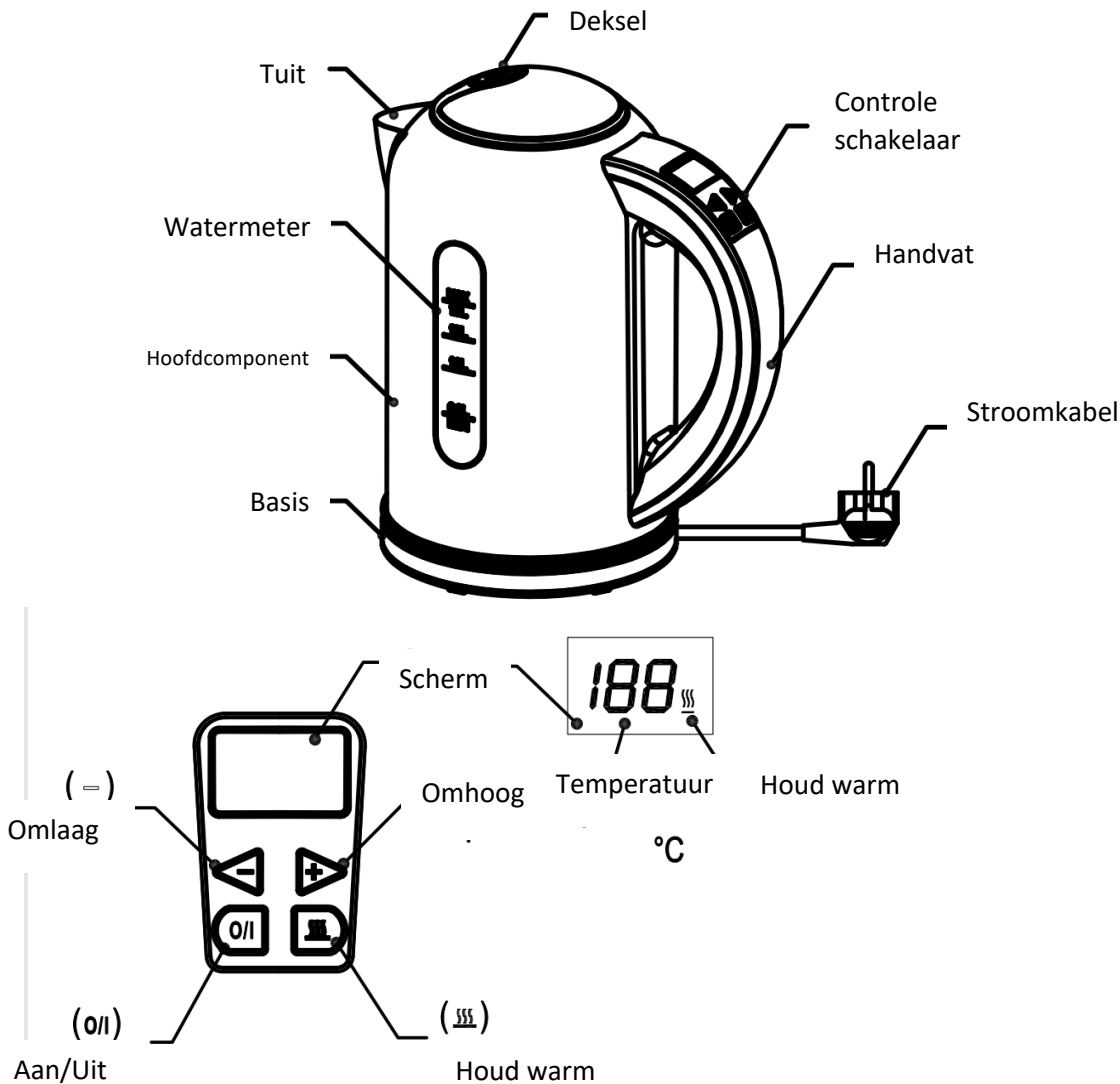
SPECIFICATIES

Voltage/ Frequentie:	220-240V / 50Hz
Nominaal vermogen:	1850-2200W
Capaciteit:	1.7L

SCHEMATISCH CIRCUIT DIAGRAM



ONDERDELEN BESCHRIJVING



KENMERKEN

1. Hoge kwaliteit temperatuur controller zorgt voor 100% koken, food-grade plastic materiaal in overeenstemming met de nationale gezondheidsnormen.
2. Wat triple beveiligingen veiligheid, hoe nauwkeuriger temperatuurregelaar, het veiliger gebruik, de langere levensduur.
3. Wireless-type pot body design, 360 graden draibare voet naar rechts plek te vermijden, gemakkelijk te gebruiken.
4. Concealed verwarmingselement design, hoge thermische efficiëntie, lange levensduur, gemakkelijk schoon te maken.
5. High-gepolijst roestvrij staal waterkoker lichaam, blijvend mooi, edele en grootmoedige, gezondheid en duurzaam.
6. Heating aan de kook snel na 5-8 minuten na het vullen met water.
7. know het waterpeil in een oogopslag van een water hoogte schaal.
8. De indicator geeft aan dat de ketel automatisch schakelt de stroom nadat het water koken.
9. With elegante verschijning, unieke kenmerken, zijn de fijne gift van de nieuwe vriend, de catering aan eis van fast-speed leven in de gezinnen en woonkamers.

GEBRUIK

1. Water kook functie

Open het deksel en vol water (niet meer dan het maximum waterniveau 1.8 liter en kan niet lager zijn dan de minimale waterpeil 0.8 L zijn), zet dan op het deksel ..

Aangesloten de kracht, de pot lichaam in de machtsbasis. Nu verschijnen er niets in LCD, waarin de ketel betekent op standby .Wanneer de ketel op stand-by, kan alleen gebruik maken van de 'I / O', kun je '+' en gebruik '-' knoppen.

Methode 1: ten eerste, druk op '+' of '-', LCD tonen 40 °C. Druk op '+' of '-' weer, ervoor kiezen om de temperatuur van het kokende water in te stellen en vervolgens press'I / O', LCD knipperen betekent voortdurend kokend water, Als niet op 'I / O', LCD zal niet flinkeren, na 10 seconden, LCD-display blijft de ketel terug naar stand-by.

Methode 2: in de eerste plaats op de '+' of - toets en selecteer de temperatuur van het kokend water (al was het maar druk 'I / O', standaard water zal worden tot 100 °C gekookt).

LCD-show s '100', LCD zal blijven knipperen, in kokend water. Wanneer set het kokende water voor 100 °C, het water moet 100 °C zijn.

In het proces van kokend water, druk op '+' of '-', kunt u de temperatuur opnieuw in te stellen. Wanneer de ingestelde temperatuur hoger is dan de werkelijke temperatuur van het water, blijven om water te koken, wanneer de werkelijke temperatuur van het water is aan de ingestelde temperatuur, zal de verwarmingsbuis niet werken, en elektronische kaart start de tijd, ongeveer 2 minuten later, LE D geen vertoning, die de ketel terug naar stand-by betekent.

Wanneer het water klaar is koken, de heat pipe stoppen met werken, elektronische kaart start timing, ongeveer 2 minuten later, LCD display blijft, de ketel terug naar stand-by. Als in 2 minuten, druk op de 'I / O' knop, LCD display blijft, de ketel terug naar stand-by. Als op '+' of '-' toets en druk niet 'I / O' opnieuw, elektronische kaart start timing, about 10 seconden later, LCD zonder display. Als op '+' of '-' en druk opnieuw op 'I / O', elektronische kaart zal het werk opnieuw in te stellen.

2. Isolatie functies

Open het deksel en vol water (niet meer dan het maximum waterniveau 1.8 liter en kan niet lager zijn dan de minimale waterpeil 0.8 L zijn), zet dan op het deksel ..

Verbind de kracht, de pot lichaam in de machtsbasis. 'Knoppen - Nu niets verschijnen in LCD, wat betekent dat de ketel wordt op standby .Wanneer de ketel op stand-by, kan alleen de 'I / O' gebruiken '+' en ", kunt u gebruik maken '.

Hoogste hittebehoud temperatuur kan alleen worden ingesteld op 90 °C: als de ingestelde temperatuur en de werkelijke temperatuur van het water hoger is dan 90 °C, en druk op "''' knop zal niet werken; Wanneer "''' knop is ingedrukt, en zet het water temperatuur 90 °C, en druk op '+' knop zal niet werken.

Methode 1: ten eerste, druk op '+' of '-', LCD tonen 40 °C, druk dan op '+' of '-' knop en zet warmte behoud temperatuur, druk '''' warm houden knop en druk nogmaals op 'I / O', LCD-scherm en het ''' teken onder het LCD-scherm aan de rechterkant blijven knipperen, de ketel is in het behoud en begon te koken water. Op deze tijd, zo niet druk 'I / O', LCD en de stip in het kader van het LCD-scherm op de rechter zal niet knipperen, na 10 seconden, het LCD display blijft, waterkoker terug naar stand-by.

Methode 2: kunt u op ''''', en druk op de '+' of '-' knop en stel bewaar temperatuur, en dan druk op de 'I / O' hitte behoud, LCD-scherm en het ''' teken onder het LCD-scherm aan de rechterkant blijven knipperen, de ketel is in het behoud en begon om water te koken ..

In het proces van kokend water, druk op '+' of '-', kan resetten van de warmte behoud temperatuur.when ingestelde temperatuur hoger is dan de werkelijke temperatuur van het water, blijven om water te koken; Wanneer de werkelijke temperatuur van het water is aan de ingestelde temperatuur, zal de verwarmingsbuis niet werken, en elektronische kaart start de tijd, ongeveer 4 uur later, LCD geen display, dat de ketel terug naar standby. Wanneer betekent, na de LCD-display blijft de ketel terug naar de standby-modus.

Wanneer het kokende water temperatuur tot de ingestelde temperatuur is gekomen, dan stoppen de hitte pijpjes met werken, en de ketel begint te behoud verwarmen.

Wanneer de temperatuur van het water lager is dan de ingestelde temperatuur, beginnen de hitte pijpjes op te warmen en tot het instellen van de temperatuur en de LCD en het ''' teken onder het LCD-scherm aan de rechterkant blijven knipperen. Wanneer de temperatuur van het water die gelijk is aan of hoger dan de ingestelde temperatuur is, is de heat pipe niet werken, in de isolatie staat, LCD-scherm en het ''' teken onder het LCD-scherm aan de rechterkant zal niet knipperen, en herhaal.

In het proces van warmte behoud, als druk op "''' om warmte behoud functie af te sluiten, terug te keren om water te koken.

Wanneer in de toestand van de thermische isolatie is getreden, elektronisch bord starttijd, ongeveer 4 uur later, het LCD display blijft, dan is de ketel terug naar stand-by Binnen een uur, drukt u op 'I / O', LCD display blijft, de waterkoker terug naar standby.

HOE DE KETEL SCHOON TE MAKEN

1. please de stekker uit het stopcontact en laat de pot afkoelen voordat u het schoonmaakt geworden.
2. Please niet onderdompelen de waterkoker, netsnoer, stekker en stopcontact in het water.
3. Please zorgen voor de elektronische lijn circuit droog.
4. Vervolgens veeg de ketel lichaam met een vochtige doek. Gebruik geen schuurmiddel, reiniging zalf product, zullen ze schade aan de oppervlakte-eigenschappen van de ketel.

Reiniging en onderhoud mogen niet worden uitgevoerd door kinderen tenzij ze 8 jaar of ouder zijn en onder toezicht van een volwassene staan

HOE KALKVORMING TE VOORKOMEN

Om de goede staat van de ketel te houden, moet het regelmatig schaal te verwijderen. Als de storing gebeurt op voorhand bij het werken aan te geven dat je nodig hebt om de omvang van de ketel te wissen. Gebruik verschillende methoden in de volgende om de schaal te wissen:

1. Please gebruik maken van speciale product dat de schaal heel goed kunnen verwijderen, gaat in overeenstemming met de instructies van het product.
2. please voeg de 0,5 liter acht graden witte azijn aan de pot, moet kost een uur te blijven genieten, laat ze uitlekken witte azijn, eindelijk wassen 4-5 keer met schoon water.
3. please voeg 0,5 liter water aan de pan en kook het dan, voeg dan 25 gram citroenzuur, later genieten van 15 minuten, eindelijk wassen 4-5 keer met schoon water.

PROBLEEMOPLOSSING

Probleem	Bron van probleem en mogelijke oplossingen
De ketel schakelt zichzelf uit voordat het water kookt	<ol style="list-style-type: none">1. Het kan worden opgelost door het verwijderen van de kalk die gewoonlijk wordt veroorzaakt door de kalk in het water.2. Het kan ook te wijten zijn aan onvoldoende water in de ketel of lege ketel bij het gebruik, waardoor droge bescherming verbranding apparaten te starten, volgen we deze stappen om opnieuw te plaatsen: we weer koud water toe te voegen aan de pot, de droge bescherming brandende toestel zal worden gereset na ongeveer 2 minuten, dan de ketel kan werken.
De koker werkt niet	<ol style="list-style-type: none">1. Controleer of het aansluiten van de stekker en stopcontact in orde is of niet.

	<p>2. Als het netsnoer beschadigd is, moet u hetzelfde type netsnoer vervangen door de medewerkers van de afdeling onderhoud in de fabriek te gebruiken.</p> <p>3. Wanneer de ketel begint droge verbranding, zal de droge bescherming verbrandingsinrichting de stroom uitgeschakeld.</p>
Eigenaardige geur in het water	<p>1. Dit fenomeen gebeurt meestal wanneer de ketel wordt gebruikt voor de eerste keer. Om dit probleem in overeenstemming met de gebruiken van artikel 6 op te lossen.</p> <p>2. Als dit probleem zich blijft voordoen, voeg water toe tot de pot aan de maximale stand, voeg twee eetlepels soda toe aan het water, en dan laat het water na het koken.</p>
Er zit vies water of kalkwater in de koker	Lokaal water is hard. Dat wil zeggen dat er calcium carbonaten en magnesium carbonaten in het water zitten. Verschoon de ketel regelmatig.

MILIEU

ATTENTIE:



Dit apparaat mag niet met uw ander huishoudelijke toestellen worden verwijderd. Dit product moet op een geselecteerde stortplaats verwijderd worden. U kunt bij de gemeente een indiceerde plaats aanvragen. Elektrisch en elektronische producten kunnen gevaarlijke stoffen inhouden die schadelijk zijn voor mensen en het milieu en moet recycled worden. Het symbool aan de kant geeft aan dat het een elektrisch en elektronisch toestel is en zijn dus artikelen van een selectieve collectie. Het beeld geeft een afvalbak met een X teken aan.

Adeva SAS / H.Koenig Europe - 8 rue Marc Seguin - 77290 Mitry Mory - France

www.hkoenig.com - sav@hkoenig.com - contact@hkoenig.com - Tél: +33 1 64 67 00 01

ESPAÑOL

INSTRUCCIONES DE SEGURIDAD IMPORTANTES

LEA Y GUARDE PARA REFERENCIA FUTURA

Lea atentamente este manual antes de usar este dispositivo. Asegúrese de que conoce cómo funciona el dispositivo y cómo hacerlo funcionar. Mantenga el dispositivo de acuerdo con las instrucciones para asegurarse de que funciona correctamente. Guarde este manual con el dispositivo. Si el dispositivo será utilizado por un tercero, entréguelo con este manual de instrucciones. Las instrucciones de seguridad no eliminan por sí mismas ningún peligro por completo y siempre se deben utilizar medidas de prevención de accidentes. No se aceptará responsabilidad alguna por cualquier daño causado por el incumplimiento de estas instrucciones o cualquier otro uso indebido o mal manejo del dispositivo. No utilice este dispositivo si se ha caído o dañado de alguna manera, o si el cable de alimentación está dañado.

SEGURIDAD

1. Mantener alejado de sus hijos o personas con discapacidad mental, o alejar a los niños cuando este en uso o dejar bajo supervisión estricta de los adultos, además, este producto no puede ser utilizado como un juguete por los niños.
2. Antes de conectar a la fuente de poder, por favor, compruebe si la tensión de la unidad concuerda con la tensión especificada en la parte posterior de la caldera o no (voltaje nominal indicado en la parte inferior de la caldera). Si esta no concuerda, no utilice y póngase en contacto con su distribuidor local.

3. Durante el llenado de agua, limpieza, o cuando no esté en uso, apague el calentador de agua, y desconecte de la toma de corriente.
4. Cuando se llena de agua, por favor mantener el agua lejos de la parte inferior de la unidad, además, antes de conectar la base, por favor limpie las gotas de agua por debajo con un paño seco para evitar un riesgo de descarga eléctrica o un cortocircuito.
5. La carga de agua no debe exceder el nivel máximo de agua, o el agua hirviendo podría derramarse y causar algún daño.
6. Por favor use este producto sobre una base horizontal.
7. El cable de alimentación puede causar un accidente, se recomienda que al hervir el agua y con el fin de evitar que se dispare la caldera, y ocasione algún accidente o quemaduras, por favor poner el hervidor cerca de la toma de corriente junto a la pared.
8. Para evitar quemaduras, por favor, asegúrese de verificar que la tapa del hervidor este bien tapada antes de usar.
9. Cuando caliente, no abra la tapa del hervidor, no mueva el hervidor de agua, ya que puede sufrir alguna quemadura.
10. Con el fin de evitar un peligro eléctrico, por favor, no deje que este producto y las líneas eléctricas se sumerjan en algún líquido.
11. En una habitación con temperatura por debajo de los 0 grados centígrados, por favor, no deje que el hervidor de agua esté conectado al enchufe de energía todo el tiempo, de lo contrario el controlador de temperatura automático se restablecerá automáticamente de modo que calentará la unidad todo el tiempo.

12. Si el cable de alimentación está dañado, con el fin de evitar algún peligro, se debe utilizar el mismo modelo de la línea eléctrica y debe ser reemplazado por el personal del departamento de mantenimiento de la fábrica.
13. No deje la caldera sin agua, cuando esté en uso, asegúrese de cortar la energía, para no generar un incendio.
14. Al limpiar el hervidor, por favor, retire la base, por favor retire el agua del recinto de la caldera y de la base antes de usar de nuevo.
15. El producto debe ser utilizado junto con la base con la que viene.
16. Este producto sólo puede ser utilizado para calentar el agua, no para otros fines, por favor no agregar bebidas solubles, café, sopa, leche y otras sustancias al agua.
17. Cuando hierva el agua, por favor, no abra la tapa del hervidor.
18. Al verter agua hirviendo, por favor, ser muy cuidadoso y verter lentamente, con el fin de prevenir lesiones por el agua caliente.
19. La toma de corriente se utiliza con una buena toma de corriente con conexión a tierra de tres hilos.
20. Al desconectar el enchufe, por favor no tire del cable de alimentación, desconecte el enchufe con la mano.
21. Cuando tenga las manos mojadas, por favor, no utilice este producto.
22. Asegúrese de apagar el interruptor de alimentación antes de retirar la base.
23. El aparato no debe ser utilizado por niños o personas con discapacidad física reducida, sensoriales o mentales, o con falta de experiencia y conocimiento, a menos que hayan recibido supervisión o instrucción, por

una persona adulta o con conocimiento sobre los riesgos.

24. Los niños deben estar supervisados para que no jueguen con el aparato.

25. Si se llena demasiado el hervidor de agua, al hervir el agua puede ser expulsada.

26. El modo de empleo de los hervidores sin cable debe de indicarse que el hervidor es sólo para ser utilizado con el soporte proporcionado. Este aparato está destinado a ser utilizado en aplicaciones domésticas y similares a los de:

- Áreas de cocina del personal en tiendas
- Oficinas y otros entornos de trabajo
- Casas rurales.
- Por los clientes en hoteles, moteles y otros entornos de tipo residencial y otro tipo de entornos de cama y desayuno

27. Este dispositivo no debe ser utilizado por personas con capacidad física, mental o sensorial reducida o sin experiencia y conocimientos (incluidos niños), a menos que hayan recibido instrucciones de uso del aparato por parte de una persona responsable de su uso seguro del dispositivo. y comprender los peligros involucrados. Los niños deben ser supervisados para asegurarse de que no jueguen con el dispositivo.

28. El dispositivo no debe utilizarse si se ha caído, si hay signos evidentes de daño o si hay fugas.

29. No use este aparato si su cable de alimentación o enchufe están dañados, si no está funcionando correctamente, está en mal estado o se ha caído. Si el cable de alimentación está deteriorado deberá ser remplazado por el fabricante, su personal técnico o un especialista similar para evitar riesgos potenciales.

30. Este aparato puede ser utilizado por niños de al menos 8 años de edad, siempre que cuenten con supervisión y hayan recibido instrucciones sobre el uso seguro del electrodoméstico y sean plenamente conscientes de los peligros que implica.

31. Mantenga el aparato y su cable eléctrico fuera del alcance de niños de menos de 8 años.

32. Al utilizar equipos eléctricos, siempre se deben tomar precauciones de seguridad para evitar el riesgo de incendio, descarga eléctrica y/o lesiones en caso de uso indebido.

33. Asegúrese de que la tensión nominal de la placa de características corresponde a la tensión de red de su instalación. Si no es así, póngase en contacto con el distribuidor y no conecte la unidad.

34. Nunca deje la unidad desatendida mientras esté en funcionamiento.

35. Nunca abra el aparato por delante, siempre colóquese ligeramente de lado para evitar quemarse con el vapor.

36. La limpieza y mantenimiento de la máquina no debe ser efectuada por niños a menos que tengan como mínimo 8 años de edad y cuenten con la supervisión de un adulto.

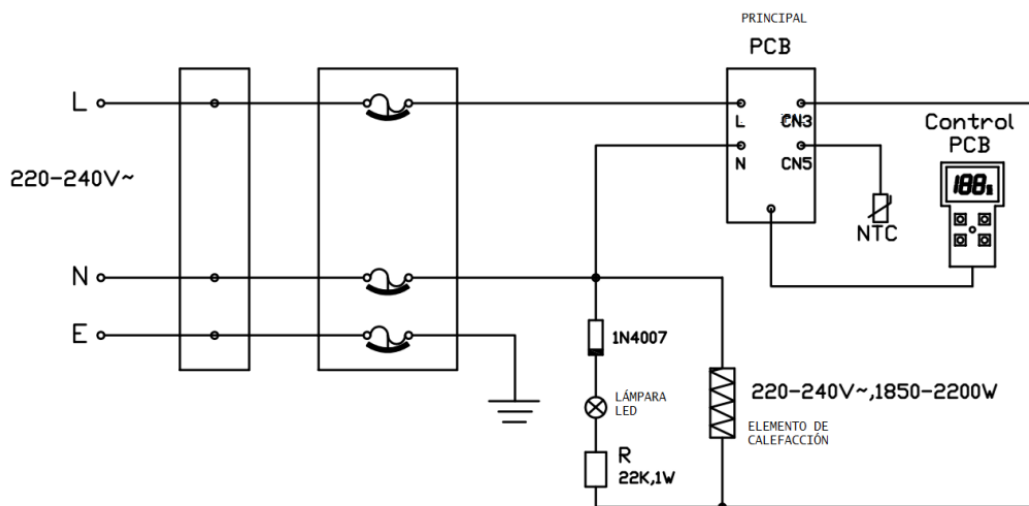
ESPECIFICACIONES

Tensión nominal/ Frecuencia: 220-240V / 50Hz

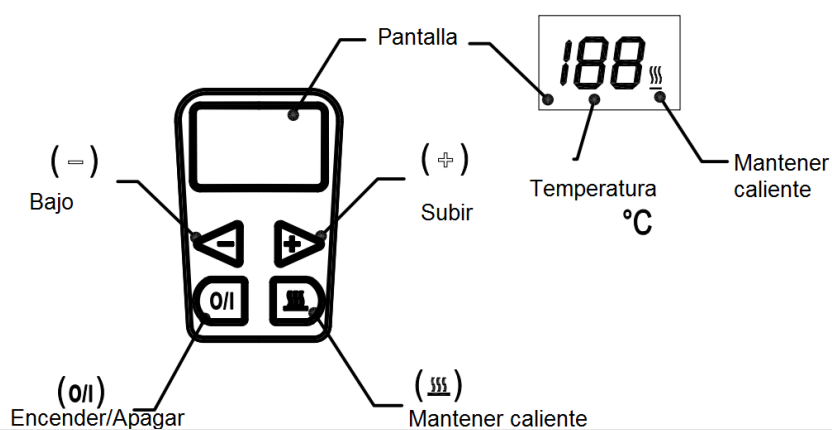
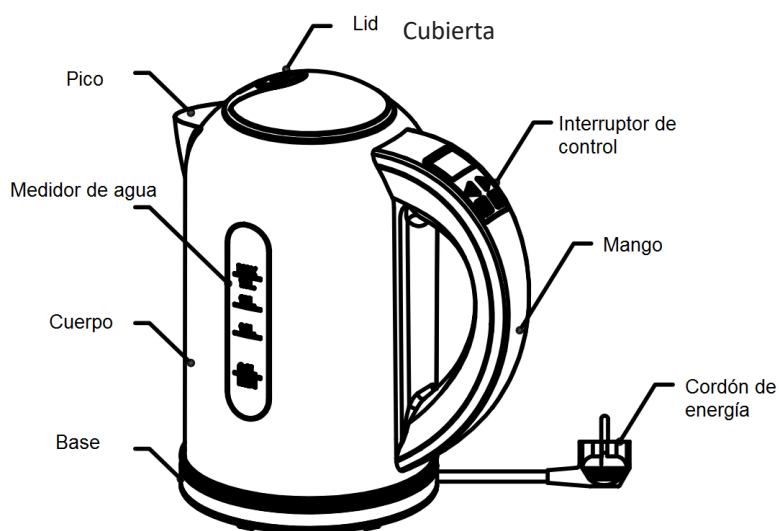
Potencia nominal: 1850-2200W

Capacidad nominal: 1.7L

DIAGRAMA ESQUEMÁTICO DE CIRCUITO



DESCRIPCION DE LAS PARTES



CARACTERÍSTICAS

1. Controlador de temperatura de alta calidad garantiza el 100% de ebullición, material plástico de calidad alimentaria de conformidad con las normas nacionales de salud.
2. Con los dispositivos de triple protección y seguridad, el controlador de temperatura más preciso, el uso más seguro, la vida más larga.
3. De tipo inalámbrico diseño de cuerpo de la olla, base giratoria de 360 grados para lograr el lugar correcto, fácil de usar.
4. Diseño con calefactor oculto, alta eficiencia térmica, larga vida útil, fácil de limpiar.
5. De alto pulido corporal caldera de acero inoxidable, con una duración hermosa, noble y generosa, la salud y duradero.
6. Calentamiento a ebullición rápidamente después de 5-8 minutos después de llenar con agua.
7. Puede ver el nivel de agua de un vistazo gracias a un medidor de la altitud del agua.
8. La luz del indicador muestra que la caldera se apaga automáticamente y se desconecta de la alimentación después de hervir el agua.
9. Con aspecto elegante, características únicas, Puede ser el regalo fino para un nuevo amigo, que atienden a los requerimientos de la vida rápida velocidad en las familias y las salas de estar.

USO

1. Función agua hirviendo

Abrir la tapa y llena de agua (no más que el nivel máximo de agua 1.8 L y no puede ser inferior al nivel mínimo de agua 0.8 l), a continuación, poner en la tapa.

Conectar el cable de alimentación, el cuerpo de la unidad en la base de alimentación. Ahora bien, nada aparece en la pantalla LCD, lo que significa que la caldera está en modo de espera. Cuando la caldera en modo de espera, sólo se puede utilizar el 'I / O', se puede utilizar '+' y '-' botones.

Método 1: en primer lugar, pulse "+" o "-", la pantalla LCD muestra 40 °C. Pulse "+" o "-" de nuevo, elegir para ajustar la temperatura del agua hirviendo, y luego pulse 'I / S', LCD el parpadeo constante significa que el agua está hirviendo; Si no pulse 'I / O', LCD si no parpadeo, después de 10 segundos, la pantalla LCD no, la podrá volver al modo de espera.

Método 2: en primer lugar, pulse el signo '+' o '-' botón y seleccionar la temperatura del agua hirviendo (aunque sólo pulsar 'I / S', por el agua por defecto se hierve hasta 100 °C).

LCD muestra '100', LCD aparece parpadeando, cuando el agua este en ebullición. Cuando se coloca la unidad en 100 °C, el agua debe estar en 100 °C.

En el proceso de agua hirviendo, pulse "+" o "-", puede restablecer la temperatura. Cuando la temperatura del conjunto es mayor que la temperatura real del agua, mantener la ebullición del agua; cuando la temperatura real del agua depende de la temperatura de consigna, el tubo de la calefacción no funciona, y el tablero electrónico inicia el tiempo, aproximadamente 2 minutos más tarde, si la pantalla LED no enciende, significa que la caldera está en posición de espera.

Cuando el agua haya terminado de hervir, el tubo de calor deja de funcionar, el cronometraje electrónico de la unidad comienza a funcionar, aproximadamente 2 minutos más tarde, si pantalla LCD no enciende, la unidad vuelve al modo de espera. Si en 2 minutos, pulse 'I / O', y la pantalla LCD no enciende, el hervidor volverá al modo de espera. Si pulsa '+' o '-', y no pulsa 'I / O' nuevamente, el sistema electrónico de temporización se iniciará nuevamente, luego de 10 segundos, la pantalla LCD no encenderá ". Si pulsa "+" o "-", y presiona 'E / O' nuevamente, el Sistema electrónico restablecerá el trabajo.

2. Funciones de aislamiento

Abra la tapa y llene de agua (no más que el nivel máximo de agua 1.8 L y no puede ser inferior al nivel mínimo de agua 0.8 l), a continuación, coloque la tapa.

Conecta el cable de alimentación, el cuerpo de la olla en la base de alimentación. Ahora bien, nada aparece en la pantalla LCD, lo que significa que la caldera está en modo de espera. Cuando la caldera está en modo de espera, sólo se puede utilizar los botones 'I / S', y "+" y "-".

La temperatura más alta de preservación de calor sólo se puede ajustar a 90 °C: cuando la temperatura fijada y la temperatura real del agua es superior a 90 °C, a continuación, pulse el botón para mantener el calor; Cuando el botón ha sido presionado, ajuste la temperatura del agua a 90 °C, y luego presione el botón "+".

Método uno: en primer lugar, pulse "+" o "-", en la pantalla LCD se muestra 40 °C, a continuación, pulse "+" o el botón "-" y ajustar la temperatura de preservación de calor, pulse el botón para mantener el calor, y luego pulse 'I / S' de nuevo, LCD y el signo bajo la pantalla LCD a la derecha seguirá parpadeando, a continuación el agua empezará a hervir en hervidor. Durante este tiempo, pulse 'I / S', LCD y visualizará el punto debajo de la pantalla LCD a la derecha parpadeará, después de 10 segundos, la pantalla LCD no enciende, el hervidor volverá al modo de espera.

Método 2: Pulse el botón luego pulse los botones "+" o "-" y ajuste la temperatura de conservación, y luego pulse 'I / O' para calentar, aparecerá el signo bajo la pantalla LCD a la derecha y seguirá parpadeando, la unidad empezará a trabajar y el agua comenzará a hervir.

Mientras el agua está hirviendo, pulse "+" o "-", para restablecer la temperatura. Cuando la temperatura del calor es más alta que la temperatura real del agua, siga hirviendo el agua; Cuando la temperatura real del agua es más alta que la temperatura que usted desea, el tubo de la calefacción no funcionará, y el tablero electrónico iniciará el tiempo, si luego de alrededor de 4 hora más tarde, la pantalla LCD no enciende significa que la caldera de nuevo a vuelto al modo de espera.

Cuando la temperatura de ebullición del agua llega hasta la temperatura fijada, a continuación, tubos de calor dejan de funcionar, y el hervido empieza a conservar el calor.

Cuando la temperatura del agua más baja que la temperatura del sistema, los tubos de calor comenzarán a calentarse hasta que ajuste la temperatura, y la pantalla LCD mostrará el signo que seguirá parpadeando en la parte inferior derecha. Cuando la temperatura del agua es igual o superior a la temperatura de consigna, el tubo de calor no funciona, el modo de preservación de calor se activará, y se mostrará el signo dejará de parpadear en la parte inferior de la pantalla LCD.

En el proceso de preservación del calor, si pulsa la Tecla podrá detener la función de preservación del calor y podrá volver a hervir el agua.

Cuando inicia el estado de aislamiento térmico, el sistema electrónico se iniciará, aproximadamente 4 horas más tarde, la pantalla LCD no encenderá, la unidad entrará en el modo de espera, pulse 'I / O', la pantalla no encenderá y el hervidor volverá al modo de espera.

CÓMO LIMPIAR LA CALDERA

1. Por favor, desconecte el enchufe de la fuente de alimentación y deje que el cuerpo de la unidad se enfríe antes de la limpieza.
2. Por favor, no sumerja el hervidor de agua, el cable de conexión ni cualquier otra parte de la unidad en agua u cualquier otro líquido.
3. Asegúrese de que la tarjeta de línea electrónica este seca.
4. Por favor, limpie el cuerpo del hervidor de agua con un paño húmedo. Por favor, no use detergente en polvo u otros productos de limpieza, ya que pueden dañar las características de la superficie de la caldera.

La limpieza y mantenimiento de la máquina no debe ser efectuada por niños a menos que tengan como mínimo 8 años de edad y cuenten con la supervisión de un adulto.

COMO ELIMINAR EL SARRO

Con el fin de mantener en buenas condiciones de funcionamiento el hervidor de agua, es necesario eliminar el sarro con frecuencia. Si ocurre un corte del funcionamiento cuando se está usando la unidad, lo que se debe hacer es eliminar el sarro del hervidor de agua de inmediato. Por favor utilizar varios métodos que se muestran la siguiente lista para borrar el sarro:

1. Por favor, use productos indicados que puedan eliminar el sarro muy bien, proceder de acuerdo con las instrucciones del producto.
2. Por favor, añadir los 0,5 litros y ocho grados de vinagre blanco al interior, se necesita al menos en remojo una hora para que se elimine el sarro, escurrir el vinagre blanco, y lavar la unidad al menos 4-5 veces con agua limpia.
3. Por favor, añadir 0,5 litros de agua al interior y luego hervirla, a continuación, añadir 25 gramos de ácido cítrico, se necesita al menos 15 minutos en remojo para eliminar el sarro, lavar al menos 4-5 veces con agua limpia

SOLUCIÓN DE PROBLEMAS

Falla	Fuentes de fallas y solución de problemas
se apaga automáticamente por adelantado antes de hervir	<ol style="list-style-type: none"> 1. Se puede resolver con la limpieza del sarro que es causado generalmente por la acumulación de este. 2. También puede ser debido a la falta de agua en la caldera o calentador de agua se encuentra vacío cuando se utiliza, lo que produce que se activen los dispositivos de protección de combustión secos, seguimos estos pasos para volver al ajuste: de nuevo se añade agua fría al hervidor, el dispositivo de protección se reiniciará después de aproximadamente 2 minutos, a continuación, el hervidor volverá a trabajar.
El hervidor no funciona	<ol style="list-style-type: none"> 1. Por favor, compruebe si la conexión del enchufe y la toma están bien o no. 2. Si el cable de alimentación está dañado, debe utilizar el mismo tipo de cable de alimentación, este deber ser reemplazado por el personal del departamento de mantenimiento en la fábrica. 3. Cuando el hervidor inicia la combustión seca, el dispositivo de protección combustión seca, cancelará automáticamente la energía.
Hay un olor peculiar dentro del agua	<ol style="list-style-type: none"> 1. Este fenómeno suele ocurrir cuando se utiliza el calentador de agua por primera vez. Para resolver este problema, lea las instrucciones de acuerdo con el artículo 6 Uso. 2. Si este problema persiste, añada agua al hervidor hasta la posición máxima, añadir dos cucharadas soperas de bicarbonato de soda al agua, y luego drenar el agua después de hervir.
El Agua está sucia o hay sarro en el interior de La tetera	A medida que el agua local puede contener mucho mineral, el agua con carbonato de calcio o carbonato de magnesio, ayuda a eliminar el sarro del hervidor.

MEDIO AMBIENTE

ATENCIÓN:



No se deshaga de este producto como lo hace con otros productos del hogar. Existe un sistema selectivo de colecta de este producto puesto en marcha por las comunidades, debe de informarse en su ayuntamiento acerca de los lugares en los que puede depositar este producto. De hecho, los productos eléctricos y electrónicos pueden contener sustancias peligrosas que tienen efectos nefastos para el medio ambiente o para la salud humana y deben ser reciclados. El símbolo aquí presente indica que los equipos eléctricos o electrónicos deben de ser cuidadosamente seleccionados, representa un recipiente de basura con ruedas marcado con una X.

Adeva SAS / H.Koenig Europe - 8 rue Marc Seguin, 77290 Mitry-Mory, France
www.hkoenig.com - sav@hkoenig.com - contact@hkoenig.com - Tél: +33 1 64 67 00 01

ITALIANO

IMPORTANTI ISTRUZIONI DI SICUREZZA

LEGGERE ATTENTAMENTE E CONSERVARE PER RIFERIMENTI FUTURI

Leggere attentamente questo manuale prima di utilizzare l'apparecchio. Assicurarsi di conoscere le funzioni dell'apparecchio e come metterle in azione. Per assicurare il suo corretto funzionamento, conservare l'apparecchio come riportato in questo manuale.

Conservare questo manuale con l'apparecchio. Si prega di consegnare questo manuale nel caso in cui l'apparecchio dovesse essere utilizzato da una terza persona. Seguire tutte le istruzioni di sicurezza non elimina completamente ogni pericolo; per questo motivo bisogna agire comunque usando le dovute precauzioni per prevenire incidenti.

Nessuna responsabilità può essere attribuita al produttore per eventuali danni causati dalla mancata osservanza di queste istruzioni o da qualsiasi altro uso improprio o maltrattamento dell'apparecchio o delle sue parti. Non usare questo apparecchio in seguito a una caduta o se è stato danneggiato in qualsiasi modo, o se il cavo di alimentazione è danneggiato.

SICUREZZA

1. Tenere l'apparecchio lontano dalla portata dei bambini e da persone con handicap mentali. Se durante l'uso ci sono bambini in prossimità, si prega rigorosamente di prestare la massima attenzione. Non permettere ai bambini di giocare con questo bollitore come se fosse un giocattolo.
2. Prima di collegare alla presa, controllare che la tensione della vostra rete elettrica sia conforme a quella del

bollitore (tensione nominale marcata sul fondo del bollitore). Se non è idonea, non usare l'apparecchio e contattare il rivenditore locale.

3. Quando si riempie il bollitore con acqua, durante la pulizia, o quando il bollitore non è in uso, spegnere l'apparecchio e staccare la spina.
4. Durante il riempimento della brocca, si prega di mantenere l'acqua lontano dal connettore elettrico della brocca; inoltre, prima di collegare la spina, si prega di asciugare le eventuali gocce di acqua con un panno asciutto per evitare il rischio di scosse elettriche o corto circuito.
5. Il livello dell'acqua non deve superare il livello massimo, altrimenti durante l'ebollizione, potrebbe fuoriuscire e causare pericoli.
6. Si prega di utilizzare questo prodotto su un piano orizzontale.
7. Se il cavo di alimentazione pende dal tavolo o da un piano, può causare un incidente; si raccomanda quindi che durante l'ebollizione, per evitare che il bollitore si sganci e quindi causi pericoli di scottature, si prega di mettere l'apparecchio vicino alla presa di corrente accanto al muro.
8. Per evitare scottature, si prega di assicurarsi che il coperchio della brocca sia stato chiuso prima dell'utilizzo.
9. Durante il riscaldamento, non aprire il coperchio o spostare il bollitore, o si corre il rischio di scottarsi.
10. Al fine di evitare pericoli di natura elettrica, si prega di non immergere mai l'apparecchio o il cavo in alcun liquido.
11. Se la stanza in cui è installato il bollitore ha una temperatura inferiore ai 0°C, si prega di non lasciare la spina attaccata alla presa per tutto il tempo, altrimenti il regolatore automatico della temperatura si ripristinerà automaticamente in modo da trasmettere calore al tubo

riscaldante.

12. Se il cavo di alimentazione è danneggiato, al fine di evitare pericoli, è necessario utilizzare lo stesso modello della linea elettrica e farlo sostituire da personale del reparto di manutenzione del produttore.
13. Non lasciare che il bollitore si secchi e si bruci; quando non in uso, assicurarsi di staccare la spina.
14. Quando si pulisce il bollitore, si prega di rimuovere la base, si prega di asciugare l'acqua sul connettore elettrico della brocca e sulla base prima di utilizzare di nuovo.
15. Il prodotto deve essere usato insieme alla base in dotazione.
16. Questo prodotto può essere utilizzato solo per riscaldare l'acqua, non per altri scopi, si prega di non aggiungere bevande solubili oltre all'acqua, come caffè, zuppe, latte e altre sostanze.
17. Durante la bollitura, non aprire il coperchio.
18. Quando si versa l'acqua bollente, si prega di essere molto attenti e di farlo lentamente, al fine di prevenire scottature.
19. La spina di alimentazione deve essere inserita in una presa di corrente a tre conduttori, ovvero con messa a terra.
20. Quando si toglie la spina, si prega di non tirare il cavo di alimentazione, ma di tirare direttamente la spina.
21. Quando le mani sono bagnate, si prega di non utilizzare l'apparecchio.
22. Assicurarsi di spegnere l'interruttore di alimentazione prima di rimuovere la base.
23. L'apparecchio non deve essere utilizzato da bambini o persone con capacità fisiche, sensoriali o mentali ridotte, o con mancanza di esperienza e conoscenza dell'apparecchio, a meno che non siano attentamente

sorvegliati e istruiti da un adulto.

24. I bambini devono essere sorvegliati per evitare che non giochino con l'apparecchio

25. Se la brocca è troppo piena, l'acqua bollente può fuoriuscire.

26. Le istruzioni per l'uso per bollitori senza filo specificano che la brocca deve essere utilizzata solo con il supporto fornito dal produttore.

27. Questo apparecchio è destinato ad essere utilizzato per applicazioni domestiche e simili come :

- aree di cucina per personale di negozi
- uffici e altri ambienti di lavoro
- case coloniche
- con clienti in alberghi, motel e altri ambienti di tipo residenziale, tipo Bed and breakfast.

Questo dispositivo non è destinato all'uso da parte di persone con capacità ridotte sul piano fisico, mentale o sensoriale o sulla mancanza di esperienza e conoscenza (compresi i bambini), a meno che non abbiano ricevuto istruzioni per l'uso dell'apparecchio da parte di una persona responsabile del loro uso di sicurezza dell'apparecchio e capire i rischi coinvolti. I bambini dovrebbero essere sorvegliati per assicurarsi che non giochino con il dispositivo

28. Il dispositivo non deve essere utilizzato se è stato lasciato cadere, sono visibili evidenti segni di danneggiamento o se presenta perdite.

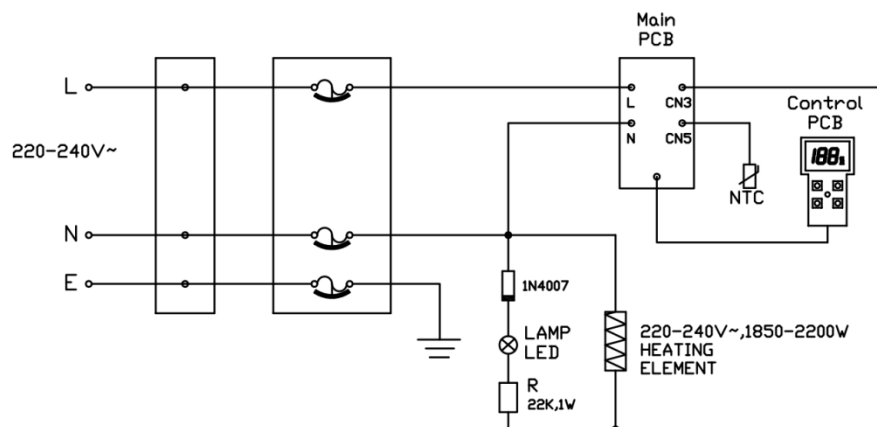
29. Non utilizzare l'apparecchio se il cavo o la spina sono danneggiati, se non funziona correttamente o se è stato danneggiato o caduto. Se il cavo di alimentazione è danneggiato, deve essere sostituito dal costruttore, da un suo rappresentante o da una persona qualificata al fine di evitare rischi.

30. Questo apparecchio può essere utilizzato da bambini a partire da 8 anni, purché sorvegliati e istruiti all'uso sicuro dell'apparecchio e pienamente a conoscenza dei pericoli che comporta.
31. Conservare l'apparecchio e il cavo di alimentazione fuori dalla portata di bambini di età inferiore a 8 anni.
32. Quando si utilizzano apparecchiature elettriche, è necessario adottare sempre misure di sicurezza per prevenire il rischio di incendi, scosse elettriche e/o lesioni in caso di uso improprio.
33. Accertarsi che la tensione nominale sulla targhetta corrisponda alla tensione principale della vostra installazione. In caso contrario, contattare il rivenditore e non collegare l'unità.
34. Non lasciare mai l'unità incustodita durante il funzionamento.
35. Non aprire mai l'apparecchio dalla parte anteriore, posizionarsi sempre leggermente di lato per evitare di scottarsi con il vapore.
36. La pulizia e la manutenzione non devono essere eseguite da bambini a meno che abbiano più di 8 anni e siano sorvegliati da un adulto.

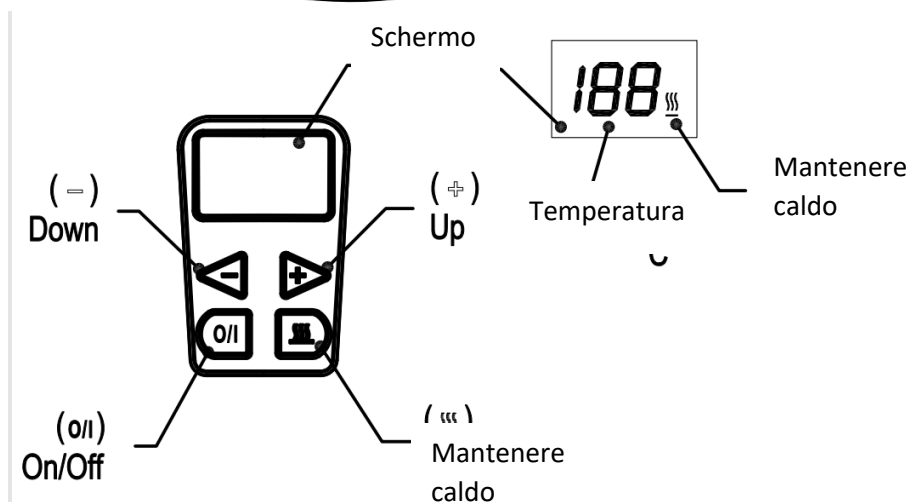
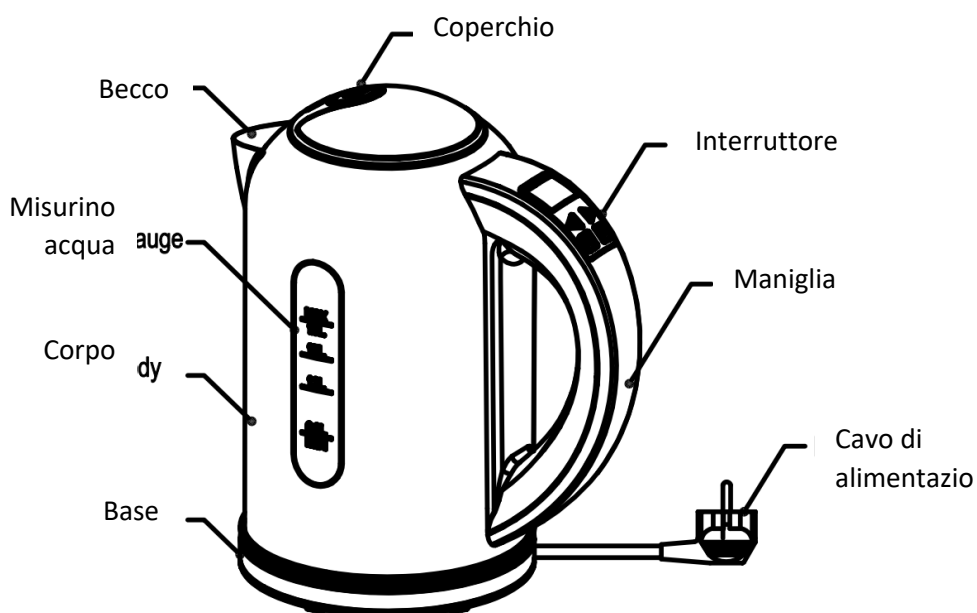
SPECIFICHE TECNICHE

Tensione nominale / Frequenza:	220-240V / 50Hz
Potenza nominale:	1850-2200W
Capacità nominale:	1.7L

SCHEMA DEL CIRCUITO ELETTRICO



DESCRIZIONE DEI COMPONENTI



CARATTERISTICHE

1. Il regolatore della temperatura di alta qualità garantisce il 100% di ebollizione e il materiale plastico per alimenti è conforme con le norme sanitarie nazionali.
2. Con i tre dispositivi di protezione di sicurezza e un preciso regolatore della temperatura questo apparecchio garantisce un uso più sicuro e una maggiore longevità.

3. La caraffa senza filo e la base sfruttabile a 360 gradi (e che quindi non necessita di inserire la brocca in una posizione specifica) garantiscono un facile utilizzo dell'apparecchio.
4. Il design nascosto dell'elemento riscaldante ha un'alta efficienza termica, una lunga durata ed è facile da pulire.
5. La caraffa ha un corpo in acciaio inox che mantiene la sua estetica, igiene ed efficacia nel tempo.
6. Il bollitore passa dalla fase di riscaldamento a quella di ebollizione rapidamente dopo 5-8 minuti dopo il riempimento con acqua.
7. Grazie al misurino sulla caraffa, è facile vedere subito il livello dell'acqua.
8. La spia luminosa indica che il bollitore si spegne automaticamente dopo la bollitura dell'acqua.
9. Grazie al suo aspetto elegante, e le sue caratteristiche uniche, questo bollitore può essere un'idea regalo per un nuovo amico, o per famiglie o ambienti che richiedono stili di vita veloci.

COME USARE

1. Funzione di bollitura dell'acqua

Aprire il coperchio e versare l'acqua (non superiore al livello massimo di 1,8 L e non inferiore al livello minimo di 0,8 L), poi rimettere il coperchio.

Collegare alla presa e mettere la caraffa sulla base. Non apparirà nulla sullo schermo, il che significa che il bollitore è in standby. Quando la brocca in standby, premere l'interruttore "I/O" e regolare con "+" e "-".

Metodo 1: in primo luogo, premere il tasto "+" o "-", sullo schermo appare 40°C. Premere "+" o "-" ancora una volta, scegliere di impostare la temperatura dell'acqua bollente, e poi premere "I/O", quando lo schermo lampeggia costantemente significa che l'acqua sta bollendo. Se non si preme "I/O", il display lampeggia e dopo 10 secondi il bollitore ritorna in modalità standby.

Metodo 2: premere "+" o "-" e selezionare la temperatura dell'acqua bollente (se si preme "I/O", l'acqua verrà bollita fino a 100°C come default).

Sullo schermo appare '100' e continua a lampeggiare finché l'acqua non sarà bollita. Quando si imposta la temperatura su 100°C, la fase di bollitura terminerà quando l'acqua avrà raggiunto i 100°C.



Nel processo di bollitura, premendo il tasto "+" o "-", è possibile ripristinare la temperatura. Quando la temperatura impostata è superiore alla temperatura effettiva dell'acqua, l'acqua continua a bollire; quando invece la temperatura dell'acqua reale è fino alla temperatura impostata, il tubo di riscaldamento non funziona e il dispositivo elettronico riavvia il timer circa 2 minuti più tardi, se sullo schermo non appare niente, significa che il bollitore è in standby.


Quando l'acqua ha finito il processo di ebollizione, il tubo di riscaldamento non funziona e il dispositivo elettronico riavvia il tempo circa 2 minuti più tardi, se sullo schermo non appare niente, significa che il bollitore è in standby. Se non si preme il tasto "I/O" per due minuti, lo schermo si spegne e il bollitore va in standby. Se si preme "+" o "-", e non si preme il tasto "I/O" entro 10 secondi, lo schermo si spegne. Se si preme "+" o "-" e poi si preme "I/O" ancora una volta, il dispositivo elettronico resetta il lavoro.


2. Funzione di isolamento



Aprire il coperchio e versare l'acqua (non superiore al livello massimo di 1,8 L e non inferiore al livello minimo di 0,8 L), poi mettere il coperchio.

Collegare alla presa e mettere la caraffa sulla base. Non apparirà nulla sullo schermo, il che significa che il bollitore è in standby. Quando la brocca in standby, premere l'interruttore "I/O" e regolare con "+" e "-".

La temperatura massima di conservazione del calore può essere impostata solo a 90°C: quando la temperatura impostata o reale dell'acqua è superiore a 90°C, premendo il pulsante  non funziona; quando il tasto  è stato premuto e la temperatura è stata impostata su 90°C, premendo il pulsante "+" non funzionerà.


Metodo 1: in primo luogo, premere il tasto "+" o "-", sullo schermo appare 40°C. Premere "+" o "-" per scegliere la temperatura da preservare, e poi premere il tasto  "mantenere caldo" (keep warm), e premere il tasto "I/O".


Quando l'icona  sulla destra dello schermo lampeggia costantemente significa che il bollitore è in modalità per "mantenere caldo" e l'acqua sta bollendo. Se non si preme "I/O", il display lampeggia e dopo 10 secondi il bollitore ritorna in modalità standby.


Metodo 2: premere il tasto “” e poi “+” o “-” e selezionare la temperatura che si intende mantenere e poi premere l'interruttore “I/O”. Quando l'icona  sulla destra dello schermo lampeggia costantemente significa che il bollitore è in modalità “mantenere caldo” e l'acqua sta bollendo.

Nel processo di bollitura, premere il tasto “+” o “-”, per impostare la temperatura di conservazione dell'acqua. Quando la temperatura impostata è superiore alla temperatura effettiva dell'acqua, l'acqua continua a bollire. Quando la temperatura dell'acqua reale è fino alla temperatura impostata, il tubo di riscaldamento non funziona e il dispositivo elettronico avvia il timer, circa quattro ore dopo, sullo schermo non appare niente, il che significa che il bollitore è in standby. Se sullo schermo non appare niente, significa che il bollitore è in standby.

Quando la temperatura dell'acqua è fino alla temperatura impostata, il tubo riscaldante smette di funzionare e il bollitore entra in fase di conservazione della temperatura.

Quando la temperatura dell'acqua inferiore alla temperatura impostata, il tubo riscaldante comincia a riscaldare fino alla temperatura impostata, l'icona  a destra sullo schermo lampeggia. Quando la temperatura dell'acqua è uguale o superiore alla temperatura impostata, il tubo riscaldante smette di funzionare e

l'icona  a destra sullo schermo smette di lampeggiare e così via.

Nel processo di conservazione del calore, se si preme il tasto '' si esce dalla funzione di conservazione della temperatura e si torna alla bollitura dell'acqua.

Quando si entra in stato di isolamento termico, il dispositivo elettronico comincia con il timer, circa 4 ore più tardi, sullo schermo non appare niente, significa che il bollitore è in standby.

Nel giro di un'ora, premere “I/O”, sullo schermo non appare niente, significa che il bollitore è in standby.

COME PULIRE IL BOLLITORE

1. Si prega di staccare la spina e lasciare che la brocca si raffreddi prima di pulirla.
2. Si prega di non immergere il bollitore, il cavo di alimentazione, la spina e la presa di corrente in acqua.
3. Si prega di assicurarsi che la linea elettrica non sia bagnata.
4. Si prega di pulire il corpo della brocca con un panno umido. Si prega di non usare detersivi in polvere o balsami per la pulizia, per non danneggiare le caratteristiche della superficie del bollitore.

La pulizia e la manutenzione non devono essere eseguite da bambini a meno che abbiano più di 8 anni e siano sorvegliati da un adulto.

COME ELIMINARE IL CALCARE

Al fine di mantenere una buona condizione di lavoro del bollitore, è necessario rimuovere frequentemente il calcare. Se l'apparecchio smette di funzionare mentre è in funzione, significa che necessita di una pulizia anticalcare. Si prega di utilizzare i seguenti metodi di rimozione del calcare:

1. Si prega di usare un prodotto dedicato in grado di rimuovere il calcare in modo accurato, procedere in conformità con le istruzioni del prodotto.
2. Si prega di aggiungere mezzo litro di aceto bianco di otto gradi nella brocca, lasciar riposare per almeno un'ora, poi scolare l'aceto bianco e sciacquare per almeno 4-5 volte con acqua pulita.
3. Si prega di aggiungere mezzo litro di acqua nella brocca e poi bollirla, quindi aggiungere 25 grammi di acido citrico, lasciar riposare per 15 minuti e sciacquare per almeno 4-5 volte con acqua pulita.

RISOLUZIONE DEI PROBLEMI

Problema	Cause del malfunzionamento e risoluzione dei problemi
L'apparecchio si spegne automaticamente in anticipo prima dell'ebollizione	<ol style="list-style-type: none">1. Può essere risolto eliminando le incrostazioni che di solito sono causate dal calcare.2. Può anche essere causa di acqua insufficiente nel bollitore o se il bollitore è vuoto nel momento in cui si utilizza l'apparecchio. In questo caso un dispositivo di sicurezza previene la combustione a secco. È opportuno quindi seguire questi passi per re-impostazione il bollitore: ancora una volta si aggiunge acqua fredda nella brocca, il dispositivo di protezione si azzererà dopo circa 2 minuti, poi il bollitore potrà nuovamente funzionare.
Il bollitore non funziona	<ol style="list-style-type: none">1. Controllare se il collegamento della spina e la presa siano a posto.2. Se il cavo di alimentazione è danneggiato, è necessario utilizzare lo stesso tipo di cavo di alimentazione e di farlo sostituire dal personale del reparto di manutenzione del produttore.3. Quando il bollitore si mette in funzione senza acqua, il dispositivo di protezione di combustione a secco spegnerà l'apparecchio.
C'è un po' di odore particolare dentro l'acqua	<ol style="list-style-type: none">1. Questo fenomeno accade solitamente quando il bollitore viene utilizzato per la prima volta. Per risolvere questo problema, usare le istruzioni riportate al punto 6.2. Se il problema persiste, aggiungere acqua alla brocca fino al MAX, aggiungere due cucchiaini di bicarbonato, e poi svuotare l'acqua dopo l'ebollizione.
Nella caraffa c'è acqua sporca o con calcare	Probabilmente l'acqua che si utilizza è molto dura e quindi molto calcarea. Quindi è opportuno eliminare nel tempo il carbonato di calcio e di magnesio.

AMBIENTE

ATTENZIONE:



Non gettare quest' apparecchio tra i rifiuti domestici. Per questo tipo di prodotti è fornito dai comuni un sistema di raccolta e ritiro in zona ed è quindi un dovere informarsi per conoscere il giusto smistamento del rifiuto. Infatti, i prodotti elettrici ed elettronici possono contenere sostanze pericolose che hanno effetti dannosi sull'ambiente o sulla nostra salute e quindi devono essere riciclati. Il simbolo al lato indica che le apparecchiature elettriche ed elettroniche fanno parte di una raccolta selettiva e differenziata (rappresentata da un bidone su due ruote sbarrato da una croce).

Adeva SAS / H.Koenig Europe - 8 rue Marc Seguin - 77290 Mitry Mory - France

www.hkoenig.com - sav@hkoenig.com - contact@hkoenig.com - Tél: +33 1 64 67 00 01