

HKoenig

**Instruction manual
Manuel d'utilisation
Bedienungsanleitung
Handboek
Manual de Utilización
Manuale d'uso**



VIO8

**MICROWAVE
MICRO-ONDES
MIKROWELLE
MICROONDAS
MICROONDE
MAGNETRON**



ENGLISH

Please read these instructions carefully before installing and operating the oven.

Record in the space below the SERIAL NO. Found on the nameplate on your oven and retain this information for future reference.

Important Instruction Safety

When using electrical appliance basic safety precautions should be followed, including the following:

WARNING: To reduce the risk of burns, electric shock, fire, injury to persons or exposure to excessive microwave energy:

- Read all instructions before using the appliance.
- Use this appliance only for its intended use as described in this manual. Do not use corrosive chemicals or vapors in this appliance. This type of oven is specifically designed to heat, cook or dry food. It is not designed for industrial or laboratory use.
- Do not operate the oven when empty.
- Do not operate this appliance if it has a damaged cord or plug, if it is not working properly or if it has been damaged or dropped. If the supply cord is damaged, it must be replaced by the manufacturer or its service agent or a similarly qualified person in order to avoid a hazard
- **WARNING:** Only allow children to use the oven without supervision when adequate instructions have been given so that the child is able to use the oven in a safe way and understands the hazards of improper use.
- To reduce the risk of fire in the oven cavity:
- When heating food in plastic or paper container, check the oven frequently to the possibility of ignition.
- Remove wire twist-ties from paper or plastic bags before placing bag in oven.
- If smoke is observed, switch off or unplug the appliance

- and keep the door closed in order to stifle any flames.
- Do not use the cavity for storage purposes. Do not leave paper products, cooking utensils or food in the cavity when not in use.
 - **WARNING:** Liquid or other food must not be heated in sealed containers since they are liable to explode.
 - Microwave heating of beverage can result in delayed eruptive boiling, therefore care has to be taken when handle the container.
 - Do not fry food in the oven. Hot oil can damage oven parts and utensils and even result in skin burns.
 - Eggs in their shell and whole hard-boiled eggs should not be heated in microwave ovens since they may explode even after microwave heating has ended.
 - Pierce foods with heavy skins such as potatoes, whole squashes, apples and chestnuts before cooking.
 - The contents of feeding bottles and baby jars should be stirred or shaken and the temperature should be checked before serving in order to avoid burns.
 - Cooking utensils may become hot because of heat transferred from the heated food. Potholders may be needed to handle the utensil.
 - Utensils should be checked to ensure that they are suitable for use in microwave oven.
 - **WARNING:** It is hazardous for anyone other than a trained person to carry out any service or repair operation which involves the removal of any cover which gives protection against exposure to microwave energy.
 - This product is a Group 2 Class B ISM equipment. The definition of Group 2 which contains all ISM (Industrial, Scientific and Medical) equipment in which radio-frequency energy is intentionally generated and/or used in the form of electromagnetic radiation for the

treatment of material, and spark erosion equipment. For Class B equipment is equipment suitable for use in domestic establishments and in establishments directly connected to a low voltage power supply network which supplies buildings used for domestic purpose.

- Children should be supervised to ensure that they do not play with the appliance.
- The microwave oven is only used in freestanding.
- **WARNING:** Do not install oven over a range cooktop or other heat-producing appliance. if installed could be damaged and the warranty would be avoid .
- The accessible surface may be hot during operation.
- The microwave oven shall not be placed in a cabinet.
- The door or the outer surface may get hot when the appliance is operating.
- The temperature of accessible surfaces may be high when the appliance is operating.
- The appliance shall be placed against a wall.
- Children being supervised not to play with appliance.
- **WARNING:** If the door or door seals are damaged, the oven must not be operated until it has been repaired by a competent person.
- The instructions shall state that appliances are not intended to be operated by means of an external timer or separate remote-control system.
- The microwave oven is for household use only and not for commercial use.
- Never remove the distance holder in the back or on the sides, as it ensures a minimum distance from the wall for air circulation.
- Please secure the turn table before you move the appliance to avoid damages.
- **Caution:** It is dangerous to repair or maintain the

appliance by no other than a specialist because under these circumstances the cover have to be removed which assures protection against microwave radiation. This applies to changing the power cord or the lighting as well. Send the appliance in these cases to our service centre.

- The microwave oven is intended for defrosting, cooking and steaming of food only.
- Use gloves if you remove any heated food.
- Caution! Steam will escape, when opening lids or wrapping foil.
- This appliance can be used by children aged from 8 years and above and persons with reduced physical, sensory or mental capabilities or lack of experience and knowledge if they have been given supervision or instruction concerning use of the appliance in a safe way and understand the hazards involved. Children shall not play with the appliance. Cleaning and user maintenance shall not be made by children unless they are aged from 8 years and above and supervised.
- If smoke is emitted, switch off or unplug the appliance and keep the door closed in order to stifle.
- The device must not be used if it has been dropped, it obvious signs of damage are visible or if it has leaks.
- Keep the appliance and its power cord out of reach of children under 8 years of age.
- When using electrical equipment, safety precautions must always be taken to prevent the risk of fire, electric shock and/or injury in the event of misuse.
- Make sure that the voltage rating on the typeplate corresponds to your main voltage of your installation. If this is not the case, contact the dealer and do not connect the unit
- Never leave the unit unattended while in operation.

- Please keep this document at hand and give it to the future owner in case of transfer of your device

1. Do not attempt to operate this oven with the door open since open door operation can result in harmful exposure to microwave energy. It is important not to defeat or tamper with the safety interlocks.
2. Do not place any object between the oven front face and the door or allow soil or cleaner residue to accumulate on sealing surfaces.
3. Do not operate the oven if it is damaged. It is particularly important that the oven door close properly and that there is no damage to the
 - a. Door (bent),
 - b. Hinges and latches (broken or loosened),
 - c. Door seals and sealing surfaces.

PRECAUTIONS TO AVOID POSSIBLE EXPOSURE TO EXCESSIVE MICROWAVE ENERGY

The oven should not be adjusted or repaired by anyone except properly qualified service personnel.

READ CAREFULLY AND SAVE FOR FUTURE USE.

- This device is intended for use in domestic and similar applications such as :
 - staff kitchen areas in stores, offices and other professional environments ;
 - farms;
 - guest use in hotels, motels and other residential environments;
 - bed and breakfast type environments.
- Metal containers for food and beverages are not permitted when cooking in microwaves.
- The microwave oven is intended for heating food and beverages. Drying foodstuffs or laundry and heating heating pads, slippers, sponges, wet laundry and similar items may result in the risk of injury, ignition or fire.
- The appliance must not be steam cleaned.

INSTALLATION

1. Make sure that all the packing materials are removed from the inside of the door.
2. **WARNING:** Check the oven for any damage, such as misaligned or bent door, damaged door seals and sealing surface, broken or loose door hinges and latches and dents inside the cavity or on the door. If there is any damage, do not operate the oven and contact qualified service personnel.
3. This microwave oven must be placed on a flat, stable surface to hold its weight and the heaviest food likely to be cooked in the oven.
4. Do not place the oven where heat, moisture, or high humidity are generated, or near combustible materials.
5. For correct operation, the oven must have sufficient airflow. Allow 20cm of space above the oven, 10cm at back and 5cm at both sides. Do not cover or block any openings on the appliance. Do not remove feet.
6. Do not operate the oven without glass tray, roller support, and shaft in their proper positions.
7. Make sure that the power supply cord is undamaged and does not run under the oven or over any hot or sharp surface.
8. The socket must be readily accessible so that it can be easily unplugged in an emergency.
9. Do not use the oven outdoors.

RADIO INTERFERENCE

Operation of the microwave oven can cause interference to your radio, TV, or similar equipment. When there is interference, it may be reduced or eliminated by taking the following measures:

1. Clean door and sealing surface of the oven.
2. Reorient the receiving antenna of radio or television.
3. Relocate the microwave oven with respect to the receiver.
4. Move the microwave oven away from the receiver.
5. Plug the microwave oven into a different outlet so that microwave oven and receiver are on different branch circuits.

MICROWAVE COOKING PRINCIPLES

1. Arrange food carefully. Place thickest areas towards outside of dish.
2. Watch cooking time. Cook for the shortest amount of time indicated and add more as needed. Food severely overcooked can smoke or ignite.
3. Cover foods while cooking. Covers prevent spattering and help foods to cook evenly.
4. Turn foods over once during microwave cooking to speed cooking of such foods as chicken and hamburgers. Large items like roasts must be turned over at least once.
5. Rearrange foods such as meatballs halfway through cooking both from top to bottom and from the center of the dish to the outside.

GROUNDING INSTRUCTIONS

This appliance must be grounded. This oven is equipped with a cord having a grounding wire with a grounding plug. It must be plugged into a wall receptacle that is properly installed and grounded. In the event of an electrical short circuit, grounding reduces risk of electric shock by providing an escape wire for the electric current. It is recommended that a separate circuit serving only the oven be provided. Using a high voltage is dangerous and may result in a fire or other accident causing oven damage.

WARNING Improper use of the grounding plug can result in a risk of electric shock.

Note:

1. If you have any questions about the grounding or electrical instructions, consult a qualified electrician or service person.
2. Neither the manufacturer nor the dealer can accept any liability for damage to the oven or personal injury resulting from failure to observe the electrical connection procedures.

The wires in this cable main are colored in accordance with the following code:

Green and Yellow = EARTH

Blue = NEUTRAL

Brown = LIVE

BEFORE YOU CALL FOR SERVICE

If the oven fails to operate:

1. Check to ensure that the oven is plugged in securely. If it is not, remove the plug from the outlet, wait 10 seconds, and plug it in again securely.
2. Check for a blown circuit fuse or a tripped main circuit breaker. If these seem to be operating properly, test the outlet with another appliance.
3. Check to ensure that the control panel is programmed correctly and the timer is set.
4. Check to ensure that the door is securely closed engaging the door safety lock system. Otherwise, the microwave energy will not flow into the oven.

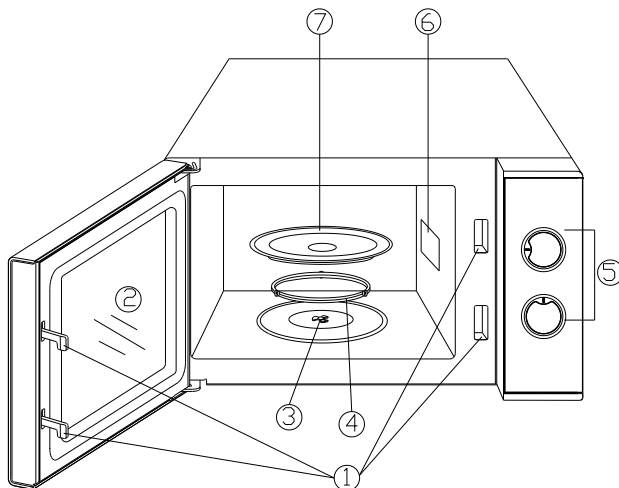
IF NONE OF THE ABOVE RECTIFIES THE SITUATION, THEN CONTACT A QUALIFIED TECHNICIAN. DO NOT TRY TO ADJUST OR REPAIR THE OVEN YOURSELF.

UTENSILS GUIDE

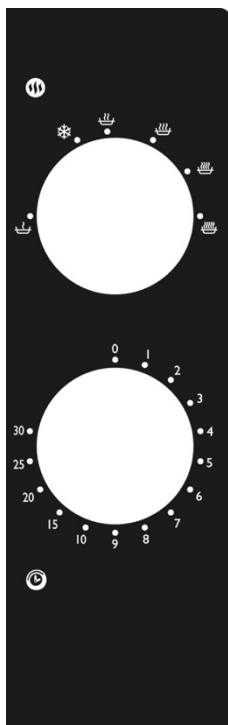
1. The ideal material for a microwave utensil is transparent to microwave, it allows energy to pass through the container and heat the food.
 2. Microwave cannot penetrate metal, so metal utensils or dishes with metallic trim should not be used.
 3. Do not use recycled paper products when microwave cooking, as they may contain small metal fragments which may cause sparks and/or fires.
 4. Round /oval dishes rather than square/oblong ones are recommend, as food in corners tends to overcook.
 5. Narrow strips of aluminum foil may be used to prevent overcooking of exposed areas. But be careful don't use too much and keep a distance of 1 inch (2.54cm) between foil and cavity.
- The list below is a general guide to help you select the correct utensils.

COOKWARE	MICROWAVE
Heat-Resistant Glass	Yes
Non Heat-Resistant Glass	No
Heat-Resistant Ceramics	Yes
Microwave-Safe Plastic Dish	Yes
Kitchen Paper	Yes
Metal Tray	No
Metal Rack	No
Aluminum Foil & Foil Containers	No

PART NAMES



1. Door Safety Lock System
2. Oven Window
3. Shaft
4. Roller Ring
5. Control Panel
6. Wave Guide
7. Glass Tray



CONTROL PANEL

The control panel consists of two function operators. One is a timer knob, and another a power knob.

POWER/ACTION SELECTOR

You use this operator knob to choose a cooking power level. It is the first step to start a cooking session.

TIMER KNOB

Offers visual timing settings at easy turn of your thumb to select a desired cooking time up to 30 minutes per cooking session.

MICROWAVE COOKING

For pure microwave cooking, there are six power levels from which to choose one as best fit to do the job at hand.

Power level increases with the knob turning clockwise. The power levels can be classified as the following:

Power Output	Description
100%	HIGH
88%	M.HIGH
73%	MED
52%	M.LOW
42%	DEFROST
20%	LOW

OPERATION

To start a cooking session,

1. Place food in oven and close the door.
2. Turn Power Selector to select a power level.
3. Use Timer knob to set a cooking time

NOTE:

As soon as the timer is turned, oven starts cooking.

When selecting time for less than 2 minutes, turn timer past 2 minutes and then return to the correct time.

CAUTION: ALWAYS RETURN TIMER BACK TO ZERO POSITION if food is removed from oven before the set cooking time is complete or when oven is not in use. To stop oven during cooking process, push the door release button or open the door by the handle.

CLEANING AND CARE

Turn off the oven and remove the power plug from the wall socket before cleaning.

1. Keep the inside of the oven clean. When food splatters or spilled liquids adhere to oven walls, wipe with a damp cloth. Mild detergent may be used if the oven gets very dirty. Avoid the use of spray and other harsh cleaners as they may stain, streak or dull the door surface.
2. The outside surfaces should be cleaned with a damp cloth. To prevent damage to the operating parts inside the oven, water should not be allowed to seep into the ventilation openings.
3. Wipe the door and window on both sides, the door seals and adjacent parts frequently with a damp cloth to remove any spills or spatters. Do not use abrasive cleaner.
4. Do not allow the control panel to become wet. Clean with a soft, damp cloth. When cleaning the control panel, leave oven

- door open to prevent oven from accidentally turning on.
5. If steam accumulates inside or around the outside of the oven door, wipe with a soft cloth. This may occur when the microwave oven is operated under high humidity condition. And it is normal.
 6. It is occasionally necessary to remove the glass tray for cleaning. Wash the tray in warm sudsy water or in a dishwasher.
 7. The roller ring and oven floor should be cleaned regularly to avoid excessive noise. Simply wipe the bottom surface of the oven with mild detergent. The roller ring may be washed in mild sudsy water or dishwasher. When removing the roller ring from cavity floor for cleaning, be sure to replace in the proper position.
 8. Remove odors from your oven by combining a cup of water with the juice and skin of one lemon in a deep microwaveable bowl, microwave for 5 minutes. Wipe thoroughly and dry with a soft cloth.
 9. When it becomes necessary to replace the oven light, please consult a dealer to have it replaced.
 10. The oven should be cleaned regularly and any food deposits removed. Failure to maintain the oven in a clean condition could lead to deterioration of the surface that could adversely affect the life of the appliance and possibly result in a hazardous.
 11. Please do not dispose this appliance into the domestic rubbish bin; it should be disposed to the particular disposal center provided by the municipalities.

ENVIRONMENT



CAUTION:

Do not dispose of this product as it has with other household products. There is a separation of this waste product into communities, you will need to inform your local authorities about the places where you can return this product. In fact, electrical and electronic products contain hazardous substances that have harmful effects on the environment or human health and should be recycled. The symbol here indicates that electrical and electronic equipment should be chosen carefully, a wheeled

waste container is marked with a cross.

Adeva SAS / H.Koenig Europe - 8 rue Marc Seguin, 77290 Mitry-Mory, France
www.hkoenig.com - sav@hkoenig.com - contact@hkoenig.com - Tél: +33 1 64 67 00 05

FRANÇAIS

Merci de lire attentivement les instructions avant d'installer et d'utiliser le four.

Veuillez noter ci-dessous le N° DE SÉRIE que vous trouverez sur la plaque de l'appareil et gardez cette information qui pourra être utile dans l'avenir.

Instructions importantes de sécurité

Lors de l'emploi d'appareils électriques, il est important de suivre les règles de précaution suivantes :

ATTENTION : Pour réduire les risques de brûlure, d'électrocution, d'incendie, de blessure aux personnes ou d'exposition excessive aux micro-ondes :

- Lisez bien les instructions avant d'utiliser l'appareil.
- Employez l'appareil uniquement pour l'utilisation prévue et décrite dans le manuel. N'employez pas de produits chimiques ou de gaz corrosifs dans cet appareil. Ce four a été conçu spécifiquement pour réchauffer, cuire ou déshydrater la nourriture. Il n'est pas prévu pour un usage industriel ou de laboratoire.
- Ne faites pas fonctionner le four quand il est vide.
- N'utilisez pas cet appareil si son câble ou sa prise est endommagé, s'ils ne fonctionnent pas correctement ou s'ils ont subi un choc. Dans le cas où le câble a été abîmé, il doit être remplacé par le fabricant ou son agent, ou encore par une personne qualifiée afin d'éviter tout danger.
- **ATTENTION :** N'autorisez les enfants à utiliser le four sans surveillance que si des instructions leur ont été données de telle sorte qu'ils soient capables de faire fonctionner le four en toute sécurité et qu'ils soient conscients des dangers provoqués par un usage inadéquat.

- Pour réduire le risque d'incendie à l'intérieur du four, pensez à :
- Surveiller qu'il n'y ait pas d'étincelle quand vous cuisez de la nourriture enveloppée dans du plastique ou du papier.
- Enlever toute attache métallique des boîtes en plastique ou en papier avant de les placer dans le four. Si vous observez de la fumée, éteignez ou débranchez l'appareil et gardez la porte fermée pour éteindre toute flamme éventuelle.
- Ne pas utiliser pas le four pour entreposer quoi que ce soit. Ne pas laisser de choses en papier, d'ustensiles de cuisine ou de nourriture dans le four quand vous ne l'utilisez pas.
- **ATTENTION** : Les liquides ou la nourriture ne doivent pas être réchauffés s'ils sont dans des contenants hermétiques car ils sont susceptibles d'exploser.
- Le chauffage des boissons au four micro-ondes peut provoquer des ébullitions tardives ; il faut donc prendre des précautions avant de se saisir du contenant.
- Ne faites pas frire de nourriture dans le four. L'huile chaude peut endommager des éléments de l'appareil, des ustensiles et même provoquer des brûlures de la peau.
- Les œufs frais ou les œufs durs ne devraient pas être réchauffés dans les fours à micro-ondes car ils peuvent exploser même après que le four se soit éteint.
- Faites des trous dans les aliments à la peau épaisse comme les pommes de terre, les courges, les pommes et les châtaignes avant de cuire.
- Le contenu des biberons ou des pots pour bébés devrait être remué ou agité et sa température vérifiée avant d'être servi pour éviter tout risque de brûlure.
- Les ustensiles de cuisine peuvent devenir très chauds

de par le transfert de chaleur des aliments. Il peut être nécessaire d'employer des gants.

- Il faut vérifier si les ustensiles sont adaptés à un usage dans un four à micro-ondes.
- **ATTENTION** : Il est dangereux pour toute personne non spécialisée d'effectuer une réparation du four impliquant l'enlèvement des protections contre les radiations.
- Ce produit est du Groupe 2 Classe B ISM. La définition du Groupe 2 qui contient les ISM (*Industrial, Scientific and Medical equipment*) correspond à tout équipement produisant intentionnellement des radios-fréquences et/ou utilisées sous forme de radiations électromagnétiques pour le traitement des matériaux et les équipements à électro-érosion. Les appareils de Classe B sont conçus pour un usage domestique à faible voltage comme dans les immeubles d'habitation.
- Les jeunes enfants doivent être surveillés afin qu'ils ne jouent pas avec l'appareil.
- Ce four à micro-ondes est un appareil autonome.
- **ATTENTION** : N'installez pas le four sur des éléments ou des appareils de cuisine qui dégagent de la chaleur car sinon le four pourrait être endommagé et la garantie serait caduque.
- Les surfaces du four peuvent être très chaudes pendant son fonctionnement.
- Le four à micro-ondes ne doit pas être enfermé dans un meuble.
- La porte du four et la partie supérieure peuvent être très chaudes pendant son fonctionnement.
- La température des surfaces du four peut être très élevée pendant son fonctionnement.
- L'appareil devrait être placé contre un mur.
- Il faut surveiller que les enfants ne jouent pas avec

l'appareil.

- **ATTENTION:** Si la porte ou ses joints d'étanchéité sont abimés, il ne faut pas se servir du four jusqu'à ce qu'il ait été réparé par une personne qualifiée.
- Les instructions doivent confirmer qu'il ne faut pas tenter d'utiliser les appareils à l'aide d'un minuteur externe ou d'une télécommande qui ne fasse pas partie du four.
- Le four à micro-ondes est destiné à un usage privé et non commercial.
- N'enlevez pas les pattes d'écartement situées derrière ou sur les côtés du four car elle assure une ventilation entre l'appareil et le mur.
- Merci de fixer le plateau tournant avant de déplacer le four pour éviter de le casser.
- Attention: Il est risqué de faire entretenir ou réparer le four par une personne autre qu'un spécialiste car dans ce cas il faut retirer les protections contre les radiations. Cela implique alors de retirer le câble électrique ainsi que l'éclairage. Dans ce genre de situation, il est préférable d'emmener l'appareil à un agent agréé.
- Le four à micro-ondes est conçu pour décongeler la nourriture, la cuisiner ou la cuire à la vapeur.
- Utilisez des gants pour retirer les plats réchauffés.
- Attention! De la vapeur peut s'échapper lorsque vous ouvrez les boîtes ou que vous retirez les films d'emballage.
- Cet appareil peut être utilisé par des enfants à partir de huit ans et plus, ainsi que par des personnes ayant une incapacité physique, sensorielle ou mentale, un manque d'expérience ou de connaissance, à condition qu'elles aient reçu des instructions concernant l'usage du four et compris les risques en jeu. Les enfants ne doivent pas jouer avec le four. Le nettoyage et

l'utilisation de l'appareil ne doivent pas être effectués par des enfants à moins qu'ils soient âgés d'au moins huit ans et qu'ils soient surveillés.

- Conserver l'appareil et son câble hors de portée des enfants âgés de moins 8ans.
- Lors de l'utilisation d'appareils électriques, des précautions de sécurité doivent toujours être prises pour prévenir tout risque d'incendie, de choc électrique et/ou de blessure en cas de mauvaise utilisation.
- Vérifier que le voltage indiqué sur la plaque signalétique de l'appareil correspond bien à celui de votre installation électrique. Si ce n'est pas le cas, adressez-vous au revendeur et ne branchez pas l'appareil
- Ne jamais laisser l'appareil sans surveillance lorsqu'il est en fonctionnement.
- Veuillez conserver ce document à disposition et le remettre au futur propriétaire en cas de cession de votre appareil
- S'il apparaît de la fumée, éteignez ou débranchez le four et gardez la porte fermée pour éteindre des flammes éventuelles.
- L'appareil ne doit pas être utilisé s'il a chuté, s'il y a des signes visibles de dommages ou en cas de fuite.

PRECAUTIONS À PRENDRE POUR ÉVITER UNE EXPOSITION ÉVENTUELLE AUX RADIATIONS EXCESSIVES
--

- | |
|--|
| <ol style="list-style-type: none">1. Ne pas tenter d'utiliser ce four avec la porte ouverte car cela entraînerait une exposition dangereuse aux radiations. Il est important de ne pas toucher ou altérer le verrouillage de sécurité.2. Ne laissez pas la porte ouverte car des poussières pourraient se déposer sur les joints d'étanchéité.3. Ne faites pas fonctionner le four s'il est endommagé. Il est particulièrement important que la porte ferme bien et qu'il n'y ait pas de dommages à :<ol style="list-style-type: none">d. La porte (pluie)e. Les charnières et loquets (cassés ou branlants)f. Les joints de la porte et des surfaces.4. Le four ne doit pas être arrangé ou réparé par une personne autre qu'un spécialiste dûment qualifié. |
|--|

LIRE AVEC ATTENTION ET GARDER POUR DE FUTURES UTILISATIONS.

- Cet appareil est destiné à être utilisé dans des applications domestiques et analogues telles que :
 - des coins cuisines réservés au personnel dans des magasins, bureaux et autres environnements professionnels ;
 - des fermes ;
 - l'utilisation par les clients des hôtels, motels et autres environnements à caractère résidentiel ;
 - des environnements de type chambres d'hôtes.
- L'utilisation de récipients métalliques pour les aliments et les boissons n'est pas autorisée dans le four à micro-ondes.
- Le four à micro-ondes est prévu pour chauffer des denrées alimentaires et des boissons. Le séchage de denrées alimentaires ou de linge et le chauffage de coussins chauffants, pantoufles, éponges, linge humide et autres articles similaires peuvent entraîner des risques de blessures, d'inflammation ou de feu.
- L'appareil ne doit pas être nettoyé avec un nettoyeur à vapeur.

INSTALLATION

1. Assurez-vous que tous les emballages ont été retirés de l'intérieur du four.
2. **ATTENTION:** Vérifiez que le four n'a pas de dégâts tels que : une porte pliée ou mal alignée, des joints de porte ou de surface défectueux, des charnières et des loquets cassés ou branlants, des bosses ou des enfoncements à l'intérieur du four ou dans la porte. S'il y a un dommage, n'utilisez pas le four et portez-le à un agent qualifié.
3. Le four à micro-ondes doit être disposé sur un support plan et stable qui résiste à son poids quand il est à pleine charge.
4. Ne placez pas le four dans des endroits où il y a de la chaleur, de l'humidité légère ou forte, ou encore près de matériaux inflammables.
5. Pour fonctionner correctement, le four doit être aéré suffisamment. Laissez 20cm d'espace au-dessus, 10cm à l'arrière et 5cm sur les côtés. Ne recouvrez ni ne bouchez pas les ouvertures ; n'enlevez pas les pieds.
6. N'utilisez pas le four sans que le plateau de verre, l'entraîneur à galets et l'axe ne soient en bonne position.
7. Assurez-vous que le câble électrique n'est pas abimé, qu'il ne passe pas sous le four ou sur n'importe quelle surface chaude ou coupante.
8. La prise de courant doit être aisément accessible pour débrancher rapidement le four en cas d'urgence.
9. N'utilisez pas le four en plein air

INTERFÉRENCES RADIO

Le fonctionnement du four à micro-ondes peut provoquer des interférences avec votre radio, votre téléviseur ou tout autre appareil similaire.

Quand c'est le cas, on peut les réduire ou les supprimer en prenant les mesures suivantes :

1. Nettoyez la porte et les joints du four.
2. Modifiez l'orientation de l'antenne de radio ou de la télévision.
3. Déplacez l'appareil en tenant compte du récepteur.
4. Éloignez l'appareil du récepteur.
5. Branchez le four dans une autre prise de courant afin que lui et le récepteur soient connectés à des circuits différents

PRINCIPES DE CUISSON AU FOUR À MICRO-ONDES

1. Disposez les aliments avec précaution en plaçant les morceaux les plus épais vers la périphérie du plat.
2. Surveillez le temps de cuisson. Basez-vous sur le temps minimum indiqué et prolongez si nécessaire. La nourriture qui est beaucoup trop cuite peut dégager de la fumée, voire s'enflammer.
3. Recouvrez les aliments durant la cuisson. Cela évite les projections et assure une cuisson uniforme.
4. Retournez les aliments tels que du poulet ou un hamburger une fois durant la cuisson pour l'accélérer. Des grands morceaux comme le rôti doivent être retournés au moins une fois.
5. Déplacez les aliments tels que les boulettes de viande à la moitié de la cuisson du haut vers le bas et du centre à l'extérieur du plat.

INSTRUCTIONS DE MISE À LA TERRE

Cet appareil doit être branché à la terre. Il est équipé d'un câble muni d'une prise de terre. Il faut le brancher sur une prise de courant murale correctement installée et reliée à la terre. Dans le cas d'un éventuel court-circuit, la prise de terre réduit les risques de choc électrique en assurant une échappatoire au courant. Il est recommandé de prévoir un circuit électrique uniquement au four à micro-ondes. L'usage d'un courant à haute tension est dangereux et peut provoquer un incendie ou tout autre accident dommageable.

ATTENTION : Un emploi inadéquat de la prise de terre peut provoquer un risque d'électrocution.

Remarque:

1. Si vous avez des questions concernant la mise à la terre ou sur les recommandations au sujet du système électrique, veuillez consulter un électricien qualifié ou un agent agréé.
2. Ni le fabricant, ni le revendeur ne peuvent être tenus responsables de dommages occasionnés au four ou à quelqu'un si les règles de branchement électrique n'ont pas été respectées.

Les fils du câble ont des couleurs respectant le code suivant:

Vert et jaune = TERRE

Bleu = NEUTRE

Marron = SOUS TENSION

AVANT D'APPELER LE SERVICE CLIENTÈLE

Si le four ne fonctionne pas:

1. Vérifiez que l'appareil est bien branché correctement. Si ce n'est pas le cas, débranchez le câble, attendez 10 secondes puis rebranchez-le avec soin.
2. Contrôlez qu'il n'y a pas un fusible fondu ou que le circuit n'a pas disjoncté. Si tout est normal, contrôlez la prise de courant avec un autre appareil.
3. Vérifiez que le panneau de commande est programmé correctement et que le minuteur est bien réglé.
4. Contrôlez que la porte est bien fermée et que le système de verrouillage est bien en place.

Dans le cas contraire, il n'y aura pas d'émission de micro-ondes dans le four.
SI AUCUNE DES RECOMMANDATIONS CI-DESSUS N'EST UTILE, CONTACTEZ UN TECHNICIEN QUALIFIÉ. NE TENTEZ PAS DE RÉGLER OU DE RÉPARER LE FOUR PAR VOUS-MÊME.

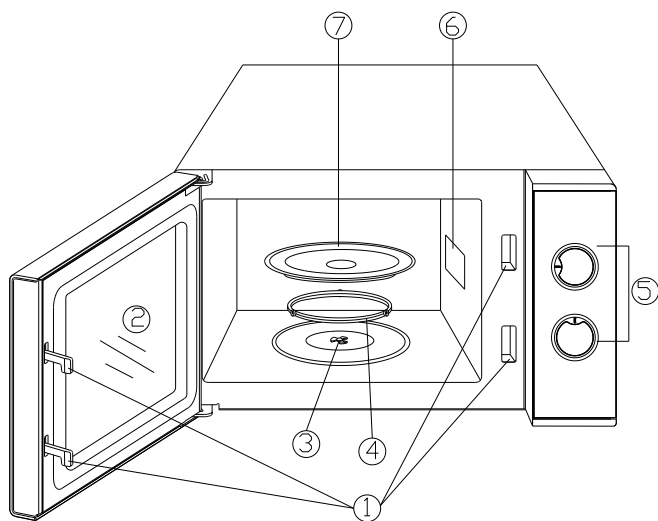
USTENSILES RECOMMANDÉS

1. Le matériau idéal d'un ustensile de four à micro-ondes laisse passer les ondes. Il permet à l'énergie de traverser le contenant pour chauffer la nourriture
2. Les micro-ondes ne peuvent pas traverser le métal, donc il faut éviter tous les ustensiles métalliques.
3. 3. N'utilisez pas de produits constitués de papier recyclé quand vous cuisinez au four car ils peuvent contenir des traces de métaux qui peuvent provoquer des étincelles et/ou des incendies.
4. 4. Les plats ronds ou ovales sont préférables à ceux de forme carrée ou oblongue car les aliments situés dans les angles ont tendance à être trop cuit.
5. De fines feuilles d'aluminium peuvent être utilisées pour éviter de trop cuire les parties exposées. Mais attention de ne pas trop en utiliser et de garder une distance de 2cm environ entre les feuilles et les parois du four.

Pour vous aider dans le choix des ustensiles, nous vous avons préparé la liste ci-dessous:

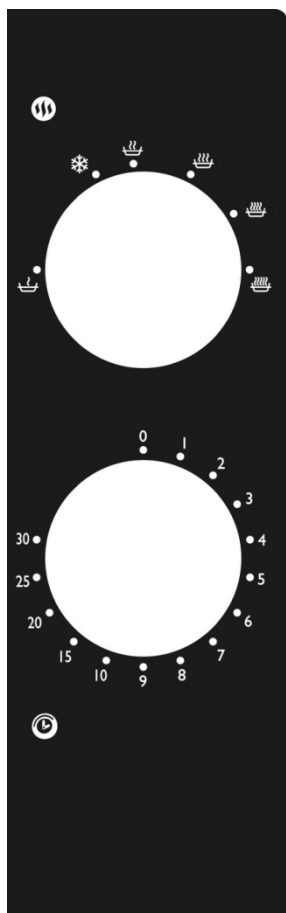
USTENSILES DE CUISINE	FOUR
Verre résistant à la chaleur	Oui
Verre non-résistant à la chaleur	Non
Céramique résistante à la chaleur	Oui
Plat en plastique pour micro-ondes	Oui
Sopalin	Oui
Barquette métallique	Non
Plat métallique	Non
Film et barquette d'aluminium	Non

ÉLÉMENTS DU FOUR



1. Porte munie d'un système de verrouillage
2. Hublot du four
3. Coupleur
4. Anneau de guidage
5. Panneau de contrôle
6. Guide d'ondes
7. Plateau en verre

PANNEAU DE CONTRÔLE



Le panneau de contrôle possède deux molettes. L'une règle la minuterie et l'autre la puissance.

SELECTEUR DE PUISSANCE

Vous utilisez cette molette pour régler la puissance de cuisson. C'est la première étape à suivre pour commencer à cuisiner

MINUTEUR

Le réglage du temps de cuisson se fait aisément avec le doigt jusqu'à 30 minutes

CUISSON AU MICRO-ONDES

Pour une cuisson entièrement au four micro-ondes, vous disposez de six niveaux de puissance à portée de main.

Vous augmentez la puissance en tournant la molette dans le sens des aiguilles d'une montre. Les niveaux de puissance sont classés comme suit :

FONCTIONNEMENT

Puissance	Description
100%	ÉLEVÉ
88%	M.ÉLEVÉ
73%	MED
52%	M.FAIBLE
42%	DÉCONGÉLATION
20%	FAIBLE

Pour commencer à cuisiner,

1. Placez la nourriture dans le four et fermez la porte.
2. Sélectionnez la puissance désirée avec la molette.
3. Programmez la durée de la cuisson avec le minuteur.

REMARQUE:

Dès que vous tournez le minuteur, le four commence à fonctionner.

Si vous sélectionnez une durée de cuisson inférieure à 2 minutes, tournez la molette au-delà des 2 minutes puis revenez à la durée choisie.

ATTENTION: TOUJOURS RAMENER LE MINUTEUR À LA POSITION ZÉRO si vous retirez la nourriture du four avant que le temps de cuisson sélectionné soit atteint ou que le four n'est pas utilisé. Pour arrêter la cuisson, appuyez sur le bouton de la porte ou ouvrez-la à l'aide de la poignée.

NETTOYAGE ET ENTRETIEN

1. Éteignez le four et débranchez la prise avant de nettoyer l'appareil.
2. Maintenez propre l'intérieur du four. Quand il y a des projections de nourriture ou de liquide sur les parois du four, essuyez avec un chiffon humide. Utilisez un détergent doux si le four est vraiment très sale. Évitez l'emploi de spray ou de nettoyeurs agressifs car ils peuvent tacher la surface de la porte, la rayer ou la ternir.
3. Les surfaces extérieures doivent être nettoyées avec un chiffon humide. Afin d'éviter d'abîmer le moteur du four, il ne faut pas faire couler d'eau dans les ouvertures de ventilation.
4. Essuyez la porte et le hublot des deux côtés avec un chiffon humide, les joints de porte et les parties adjacentes pour enlever toutes les projections. N'employez pas de nettoyeurs abrasifs.
5. Ne laissez pas le panneau de contrôle se mouiller. Nettoyez-le avec un chiffon doux et humide. Gardez la porte du four ouverte afin d'éviter de le mettre en marche accidentellement.
6. Si de la vapeur s'accumule à l'intérieur du four ou à l'extérieur devant le hublot, essuyez avec un chiffon doux. Cela peut se produire quand le taux d'humidité de l'air est très élevé et c'est normal.
7. Il est parfois nécessaire d'enlever le plateau de verre pour le nettoyer. Utilisez alors de l'eau tiède savonneuse ou mettez-le au lave-vaisselle.
8. L'entraîneur à galets et le sol du four doivent être nettoyés régulièrement pour éviter des bruits excessifs. Essuyez simplement les surfaces avec un détergent doux. L'entraîneur à galets peut être lavé avec de l'eau tiède savonneuse ou au lave-vaisselle. Faites bien attention à le

- remettre dans la bonne position.
9. Pour retirer les mauvaises odeurs du four, versez dans un bol pour micro-ondes de l'eau additionnée du jus d'un citron avec sa peau ; chauffez le tout pendant 5 minutes puis essuyez vigoureusement et séchez avec un chiffon doux.
 10. Quand il est nécessaire de remplacer la lampe du four, merci de consulter un agent agréé pour qu'il le fasse.
 11. Le four doit être nettoyé régulièrement et toutes les projections de nourriture enlevées. Un nettoyage négligent peut conduire à une détérioration éventuelle de la surface, ce qui peut affecter la durée de vie de l'appareil et provoquer un accident.
 12. Merci de ne pas jeter cet appareil aux ordures, mais de le laisser dans les containers de recyclage fournies par les municipalités.

ENVIRONNEMENT



ATTENTION :

Vous ne devez pas vous débarrasser de cet appareil avec vos déchets ménagers. Un système de collecte sélective pour ce type de produit est mis en place par les communes, vous devez vous renseigner auprès de votre mairie afin d'en connaître les emplacements. En effet, les produits électriques et électroniques peuvent contenir des substances dangereuses qui ont des effets néfastes sur l'environnement ou la santé humaine et doivent être recyclés.

Le symbole ci-contre indique que les équipements électriques et électroniques font l'objet d'une collecte sélective, il représente une poubelle sur roues barrée d'une croix.

Adeva SAS / H.Koenig Europe - 8 rue Marc Seguin, 77290 Mitry-Mory, France

www.hkoenig.com - sav@hkoenig.com - contact@hkoenig.com - Tél: +33 1 64 67 00 05

DEUTSCH

Bitte lesen Sie diese Anweisungen sorgfältig durch, bevor Sie den Ofen installieren und bedienen. Tragen Sie bitte die Seriennummer, die auf dem Typenschild Ihres Ofens zu finden ist, in das untenstehende Feld ein und bewahren Sie diese Information als künftige Referenz auf.

Wichtige Sicherheitsanweisungen

Wenn Sie das elektrische Gerät nutzen, müssen grundlegende Vorsichtsmaßnahmen beachtet werden, einschließlich der folgenden:

WARNUNG: Um das Risiko von Verbrennungen, eines Stromschlages, eines Brandes, von Körperverletzungen oder der Aussetzung zur übermäßigen Mikrowellenstrahlungsenergie zu verringern:

- Lesen Sie alle Anweisungen durch bevor Sie das Gerät benutzen.
- Verwenden Sie das Gerät ausschließlich zu dem vorgesehenem Zweck, wie in dieser Bedienungsanleitung beschrieben ist. Benutzen Sie keine korrosiven Chemikalien oder Dämpfe in diesem Gerät. Dieser Typ von Öfen ist gezielt entworfen worden, um Nahrungsmittel aufzuwärmen, zu kochen oder zu trocknen. Nicht für industrielle Zwecke oder Laboreinsätze geeignet.
- Bedienen Sie den Ofen nicht, wenn er leer ist.
- Bedienen Sie das Gerät nicht, wenn das Kabel oder der Stecker beschädigt ist, wenn es nicht richtig funktioniert, heruntergefallen ist oder anderweitig beschädigt wurde. Wenn das Stromkabel in jeglicher Weise beschädigt ist, darf es nur vom Hersteller, einer von ihm beauftragten Werkstatt oder einer ähnlich qualifizierten Person ersetzt werden, um Gefährdungen zu vermeiden.
- Erlauben Sie nur dann Kindern den Ofen ohne Aufsicht zu nutzen sofern sie eine angemessene Einweisung zur sicheren Nutzung des Ofens und den mit dem

unsachgemäßen Gebrauch verbundenen Gefahren erhalten haben.

- Um das Risiko des Brandes im Garraum des Ofens zu verringern:
- Wenn Sie Lebensmittel in einem Plastik- oder Papierbehälter aufwärmen, schauen Sie häufig in den Ofen, um die Möglichkeit der Entflammung auszuschließen.
- Entfernen Sie alle Wendeknoten von Papier- und Plastiktüten, bevor Sie diese in den Ofen legen.
- Bei Rauch, schalten Sie das Gerät aus oder ziehen Sie den Netzstecker und halten Sie die Tür zu, um die möglichen Flammen zu unterdrücken.
- Benutzen Sie den Garraum nicht für Lagerzwecke. Hinterlassen Sie bei Nichtgebrauch keine Papierprodukte, Kochutensilien oder Lebensmittel im Garraum.
- **WARNUNG:** Flüssigkeit oder andere Nahrungsmittel dürfen nicht in geschlossenen Behältern aufgewärmt werden, da sie explosionsfähig sind.
- Mikrowellenerwärmung der Getränke kann zu einem verzögerten eruptiven Kochen führen, deswegen muss drauf geachtet werden, vorsichtig mit dem Behälter umzugehen.
- Braten Sie keine Lebensmittel im Ofen. Heißes Öl kann die Ofenteile oder Utensilien beschädigen und sogar zu Hautverbrennungen führen.
- Eier mit ihrer Schale und ganze hart-gekochte Eier dürfen in den Mikrowellenöfen nicht aufgewärmt werden, da sie, sogar nach dem Beenden der Mikrowellenerwärmung, explosionsfähig sind.
- Durchstechen Sie Nahrungsmittel mit den starken Schalen, wie zum Beispiel Kartoffeln, ganze Kürbisse, Äpfel und Maronen vor dem Kochen.

- Der Inhalt der Babyfläschchen und Gläser muss aufgerührt oder geschüttelt werden und die Temperatur muss vor dem Geben überprüft werden, um Verbrennungen zu vermeiden.
- Kochutensilien können durch die Hitze von den erhitzten Lebensmitteln heiß werden. Topflappen können benötigt werden, um die Utensilien zu halten.
- Vergewissern Sie sich, dass Ihre Utensilien für Mikrowellenöfen geeignet sind.
- **WARNUNG:** Dieses Gerät darf nur von qualifiziertem Wartungspersonal gewartet oder repariert werden, was die Entfernung jeder Deckung, die vor der Exposition zur Mikrowellenenergie schützt, umfasst.
- Dieses Produkt ist ein ISM-Gerät der Gruppe 2 Klasse B. Gruppe 2 umfasst alle ISM-Geräte (industrielle, wissenschaftliche, medizinische), in denen Radiofrequenzenergie entsteht und/oder in Form von elektromagnetischer Ausstrahlung zur Bearbeitung von Material benutzt wird, sowie Funkenerosionsgeräte. Klasse B sind Geräte für den Hausgebrauch oder Geräte an Stromversorgungsnetzen, die Wohngebäude speisen.
- Kleine Kinder müssen beaufsichtigt werden, um zu garantieren, dass sie mit dem Gerät nicht spielen.
- Die Mikrowelle ist nur freistehend zu benutzen.
- **WARNUNG:** Über der Herdfläche oder die anderen Wärme-erzeugenden Geräte nicht installieren. Falls installiert, könnte diese beschädigt werden und die Garantie wird erlöschen.
- Die erreichbare Fläche kann während des Betriebs heiß werden.
- Der Mikrowellenofen darf nicht in einen Schrank gestellt werden.
- Die Tür oder die Außenfläche des Gerätes können

während des Betriebs heiß werden.

- Die Temperatur der erreichbaren Fläche kann während des Betriebs hoch werden.
- Das Gerät soll an eine Wand gestellt werden.
- Kleine Kinder müssen beaufsichtigt werden, um zu garantieren, dass sie mit dem Gerät nicht spielen.
- **WARNUNG:** Wenn die Tür oder die Türdichtungen beschädigt sind, darf der Ofen nicht bedient werden bis er von einer kompetenten Person repariert worden ist.
- Die Anweisungen stellen fest, dass die Geräte nicht dafür geeignet sind, über eine externe Schaltuhr oder ein separates Fernsteuerungs-System bedient zu werden.
- Der Mikrowellenofen ist nur im Haushalt und nicht kommerziell zu benutzen.
- Entfernen Sie nie den Abstandshalter an der Rückseite oder an den Seiten, da er einen Mindestabstand von der Wand für die Luftzirkulation sichert.
- Bitte befestigen Sie den Drehteller, bevor Sie das Gerät bewegen, um Beschädigungen zu vermeiden.
- **Achtung:** Es ist gefährlich für alle anderen, außer für eine dafür ausgebildete Person, Wartungs- oder Reparaturarbeiten auszuführen, die die Entfernung einer Abdeckung erfordert, die den Schutz gegen Strahlenbelastung durch Mikrowellenenergie sicherstellt. Das bezieht sich auch auf die Ersetzung des Stromkabels oder der Beleuchtung. In diesem Fall, schicken Sie das Gerät in unser Servicecenter.
- Der Mikrowellenofen ist nur für das Auftauen, Kochen und Dampfgaren des Lebensmittels geeignet.
- Benutzen Sie Handschuhe, um das aufgeheizte Lebensmittel zu entnehmen.
- **Achtung!** Der Dampf wird beim Öffnen der Deckel oder Wickelfolie freigesetzt.

- Das Gerät ist nicht dafür bestimmt, durch Kinder ab 8 Jahren und über und Personen mit eingeschränkten physischen, sensorischen oder geistigen Fähigkeiten oder mangels Erfahrung und Wissen benutzt zu werden, es sei denn, sie werden durch eine für ihre Sicherheit zuständige Person beaufsichtigt oder erhielten von ihr Anweisungen, wie das Gerät zu benutzen ist. Kinder dürfen mit dem Gerät nicht spielen. Die Reinigung und Wartung darf nicht durch Kinder durchgeführt werden, es sei denn Sie sind über 8 Jahre alt und sind betreut.
- Bei Rauch, schalten Sie das Gerät aus oder ziehen Sie den Netzstecker und halten Sie die Tür zu, um die möglichen Flammen zu unterdrücken
- Das Gerät darf nicht benutzt werden, wenn es fallen gelassen wurde, wenn auffällige Zeichen von Beschädigungen sichtbar sind oder wenn es undicht ist
- Bewahren Sie das Gerät und das zugehörige Netzkabel außerhalb der Reichweite von Kindern unter 8 Jahren auf.
- Bei der Verwendung elektrischer Geräte sind stets
- Sicherheitsvorkehrungen zu treffen, um bei unsachgemäßer Verwendung die Gefahr von Bränden, elektrischen Schlägen und/oder Verletzungen zu vermeiden.
- Achten Sie darauf, dass die auf dem Typenschild angegebene Nennspannung mit Ihrer Netzspannung übereinstimmt Ihrer Installation. Wenn dies nicht der Fall ist, wenden Sie sich an den Händler und schließen Sie das Gerät nicht an.
- Lassen Sie das Gerät während des Betriebs niemals unbeaufsichtigt.
- Bitte halten Sie dieses Dokument bereit und geben Sie es im Falle einer Übertragung Ihres Gerätes an den zukünftigen Besitzer weiter.

SICHERHEITSMABNAHMEN, UM DIE MÖGLICHE AUSSETZUNG ZUR ÜBERMÄßIGEN MIKROWELLENSTRAHLUNGSENERGIE ZU VERMEIDEN:

1. Versuchen Sie nicht, das Gerät zu bedienen ,während die Tür offen ist, da es zu schädlicher Aussetzung von Mikrowellenstrahlungenergie führen kann. Die Sicherheitsverriegelungen dürfen nicht manipuliert oder funktionsunfähig gemacht werden.
2. Platzieren Sie keine Gegenstände zwischen der Ofen-Vorderseite und der Tür oder hinterlassen Sie keine Schmutz- oder Reiniger-Rückstände auf den Sicherheitsverriegelungen.
3. Bedienen Sie den Ofen nicht, wenn er beschädigt ist. Es ist besonderes wichtig, dass die Ofen-Tür richtig geschlossen ist und dass die folgenden Teile nicht beschädigt sind:
 - a. Die Tür (gebeugt)
 - b. Scharniere und Verriegelungen (gebrochen oder gelockert)
 - c. Türdichtungen und Dichtungsflächen.
4. Der Ofen sollte nur von qualifiziertem Fachpersonal gewartet und repariert werden.

SORGFÄLTIG LESEN UND FÜR DEN SPÄTEREN GEBRAUCH AUFBEWAHREN.

- Dieses Gerät ist für den Einsatz in häuslichen und ähnlichen Anwendungen vorgesehen, wie z. B. :
 - Personalküchenbereichen in Geschäften, Büros und anderen professionellen Umgebungen ;
 - Bauernhöfen;
 - Gastnutzung in Hotels, Motels und anderen Wohnumgebungen;
 - Umgebungen des Typs "Bed and Breakfast".
- Metallbehälter für Lebensmittel und Getränke sind beim Garen in Mikrowellengeräten nicht zulässig.
- Der Mikrowellenherd ist für das Erwärmen von Speisen und Getränken bestimmt. Beim Trocknen von Lebensmitteln oder Wäsche sowie beim Erwärmen von Heizkissen, Hausschuhen, Schwämmen, nasser Wäsche und ähnlichen Gegenständen besteht Verletzungs-, Entzündungs- und Brandgefahr.

- Das Gerät darf nicht mit einem Dampfreiniger gesäubert werden.

INSTALLATION

1. Vergewissern Sie sich, dass die sämtlichen Verpackungsmaterialien von der Innenseite des Bodens entfernt sind.
2. **WARNUNG:** Überprüfen Sie den Ofen auf eventuelle Beschädigungen, wie beispielsweise eine aus den Angeln gehobene oder verbogene Tür, beschädigte Isolierungen, gebrochene oder lose Scharniere oder verbeulte Stellen im Innenraum oder an der Tür. Sollten Sie Schäden feststellen, nehmen Sie den Ofen nicht in Betrieb, sondern wenden Sie sich an qualifiziertes Service-Personal.
3. Dieser Mikrowellen-Ofen muss auf einer ebenen, stabilen Oberfläche platziert werden, die das Gewicht des Geräts und der schwersten Speisen, die im Ofen gemacht werden, tragen kann.
4. Platzieren Sie den Ofen nicht in der Nähe von Hitze, Feuchtigkeits- oder Luftfeuchtigkeitsquellen oder von entflammbar Materialen.
5. Für einen ordnungsgemäßen Betrieb benötigt der Ofen ausreichende Luftzufuhr. Gewähren Sie dem Gerät einen Abstand zu Wänden und anderen Objekten von mindestens 20 cm nach oben, 10 cm nach Hinten und 5 cm auf beiden Seiten. Verdecken Sie keine der Öffnungen an der Außenwand des Gerätes und entfernen Sie die Standfüße nicht.
6. Betreiben Sie den Ofen nicht, wenn Glas-Teller, Roll-Ring und Achse sich nicht an der korrekten Position befinden.
7. Stellen Sie sicher, dass das Stromkabel unbeschädigt

ist und nicht unter dem Gerät oder auf anderen scharfkantigen oder heißen Oberflächen verläuft.

8. Der Stecker muss zu jeder Zeit leicht erreichbar sein, um im Falle eines Notfalls schnell gezogen werden zu können.

9. Verwenden Sie den Ofen nicht draußen.

FUNKSTÖRUNGEN.

Der Betrieb der Mikrowelle kann Funkstörungen bei Ihrem Radio, Fernseher oder ähnlichen Geräten hervorrufen.

Sollte es zu einer solchen Störung kommen, können sie durch folgende Maßnahmen reduziert oder getilgt werden.

1. Reinigen Sie die Tür und die Oberfläche des Ofens.
2. Positionieren Sie die Antenne von Fernseher oder Radio neu.
3. Positionieren Sie die Mikrowelle neu in Bezug auf den Empfänger.
4. Vergrößern Sie den Abstand von Mikrowelle zum Empfänger
5. Stecken Sie das Stromkabel der Mikrowelle in eine andere Steckdose, damit sich Ofen und Empfänger in unterschiedlichen Stromkreisen befinden.

HINWEISE ZUM KOCHEN

1. Ordnen Sie die Speisen gewissenhaft an. Platzieren Sie die dicksten Bereiche möglichst am Rand des Geschirrs.
2. Achten Sie auf die Garzeit. Erhitzen Sie die Speisen mit der kürzesten angegebenen Zeit und verlängern Sie die Zeit falls Notwendig. Zu lange erhitzte Speisen können Rauch entwickeln und sich entzünden.
3. Decken Sie die Speisen während des Kochens ab. Das Abdecken verhindert Spritzer und hilft, die Speisen gleichmäßig zu erwärmen.
4. Wenden Sie die Speisen um die Erwärmung beispielsweise von Hähnchen und Burgern zu beschleunigen. Größere Speisen wie zum Beispiel Braten müssen mindestens ein Mal gewendet werden.
5. Platzieren Sie die Speisen neu. Schieben Sie die Speisen bei der Hälfte der Garzeit vom Rand des Geschirrs in die Mitte und umgekehrt.

ERDUNGSVORSCHRIFTEN.

Dieses Gerät muss geerdet sein. Das Gerät ist mit einem Stromkabel mit integriertem Erdungskabel und Erdungsstecker ausgestattet. Es muss mit einer Steckdose verbunden werden, die sachgemäß eingebaut und geerdet ist. Im Falle eines elektrischen Kurzschlusses reduziert die Erdung die Gefahr eines Stromschlages, in dem sie dem Strom die Möglichkeit gibt, zu entweichen. Es wird empfohlen, dieses Gerät an einen eigenen Stromkreis anzuschließen. Der Gebrauch von hohen Spannungen ist gefährlich und kann in einem Feuer oder anderen Unfällen resultieren, die den Ofen beschädigen könnten.

Hinweis:

1. Sollten Sie Fragen zur Erdung oder anderen technischen Hinweisen haben, wenden Sie sich an einen qualifizierten Elektriker oder das Kundendienstpersonal.
2. Weder der Hersteller, noch der Händler können die Haftung für Schäden am Gerät oder

Verletzungen von Personen übernehmen, die aus einem fehlerhaften Anschlussverfahren resultieren.

Die einzelnen Kabel im Netzanschluss sind nach folgender Kodierung eingefärbt.

Grün-Gelb: SCHUTZLEITER / Blau: NULLLEITER / Braun: PHASE

BEVOR SIE DEN KUNDENDIENST ANRUFEN

Falls der Ofen seinen Dienst versagt:

1. Stellen Sie sicher, dass der Stromstecker fest in der Steckdose steckt. Sollte er nicht sicher eingesteckt sein, ziehen Sie den Stecker aus der Steckdose, warten Sie 10 Sekunden und stecken Sie ihn wieder ein.
2. Überprüfen Sie Ihren Sicherungskasten nach herausgesprungenen Sicherungen oder einem abgeschalteten Haupt-Sicherungsschalter. Sollten diese keine Fehler aufweisen testen Sie die Steckdose mit einem anderen Gerät.
3. Überprüfen Sie, ob das Bedienfeld korrekt programmiert ist und der Timer korrekt eingestellt wurde.
4. Stellen Sie sicher, dass die Tür des Ofens fest im Sicherheits-Schließmechanismus eingerastet ist. Sollte dies nicht der Fall sein, wird der Ofen nicht mit Strom versorgt.

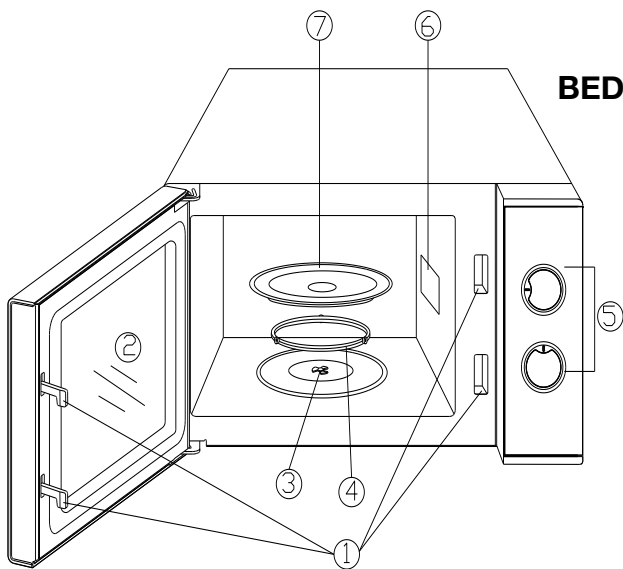
FALLS KEINER DIESER HINWEISE HILFT, WENDEN SIE SICH BITTE AN EINEN QUALIFIZIERTEN TECHNIKER. VERSUCHEN SIE NICHT DEN OFEN EIGENHÄNDIG ZU REPARIEREN.

HINWEISE ZUM GESCHIRR

1. Das ideale Material für Mikrowellen-Geschirr ist mikrowellendurchlässig, es lässt die Energie durchfließen und ermöglicht, die Speisen zu erhitzen.
2. Mikro Wellen können kein Metall durchdringen, so Metall-Geschirr oder Geschirr mit metallischer Ummantelung sollten daher nicht benutzt werden.
3. Verwenden Sie keine Produkte aus recycelten Papier, da diese kleinste Metalleile enthalten können, die Funkenflug und Feuer hervorrufen können.
4. Rundes/ovales Geschirr ist gegenüber eckigem zu bevorzugen, da die Speisen in den Ecken dazu neigen überkocht zu werden.
5. Schmale Streifen aus Aluminium-Folie können beim Grill dazu verwendet werden um das überkochen an einigen Stellen zu verhindern. Aber seien Sie vorsichtig, nutzen Sie nicht zu viel Folie und halten Sie stets einen Abstand von 1Inch (2,54 cm) zwischen der Innenwand und der Folie.

Die folgende Liste gibt Ihnen einen Überblick um das richtige Geschirr auszusuchen .

KOCHGESCHIRR	MIKROWELLE
Hitze-festes Glas	Ja
nicht Hitze-festes Glas	Nein
Hitze-feste Keramik	Ja
Mikrowellen-sicheres Plastik-Geschirr	Ja
Küchenpapier	Ja
Metall-Schale	Nein
Metall-Gestell	Nein
Aluminium-Folie und Behälter aus Folie	Nein



BEDIENELEMENTE

1. Sicherheits-Türschließmechanismus
2. Ofen-Fenster
3. Welle
4. RollerRing
5. Bedienfeld
6. Wellen-Auslass
7. Glas-Teller

BEDIENFELD

Das Bedienfeld besteht aus zwei Funktionsbetreiber:der eine ist ein Timer-Regler und der andere ist ein Power-Regler.

Power/Action Schalter.

Sie benutzen den Bedienschalter, um die Kochenergiestufe zu bestimmen.Das ist der erste Schritt, um mit dem Kochvorgang anzufangen.

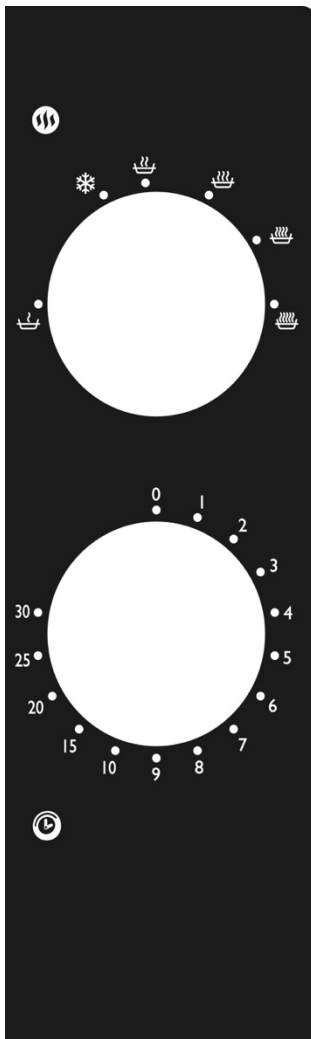
Timer-Regler.

Bietet eine visuelle Zeiteinstellung durch eine einfache Drehung Ihres Daumens, um eine gewünschte Kochzeit bis zu 30 Minuten pro eine Kochrunde auszuwählen.

Mikrowellen-Kochen.

Für normales Kochen in der Mikrowelle gibt es sechs Energiestufen, um zu wählen, welche von denen für die vorliegende Aufgabe am besten passt.

Die Energiestufen steigern, wenn der Regler rechtsgängig gedreht wird. Die Stufen können als folgende qualifiziert werden:



Leistung	Beschreibung
100%	HOCH
88%	M.HOCH
73%	MED
52%	M.NIEDRIG
42%	ABTAU
20%	NIEDRIG

BEDIENUNG

Um eine Kochrunde zu starten:

1. Legen Sie die Speisen in den Ofen und schließen Sie die Tür.
2. Drehen Sie den Power-Schalter, um eine Energiestufe auszuwählen.
3. Benutzen Sie den Zeit-Regler, um die Kochzeit zu bestimmen.

HINWISSE: Sobald der Regler gedreht ist, fängt der Ofen an zu arbeiten.

Wenn Sie eine Zeit auswählen möchten, die weniger als 2 Minuten beträgt, drehen Sie den Regler weiter als 2 Minuten, und dann stellen Sie ihn auf die richtige Zeit zurück.

ACHTUNG: STELLEN SIE DEN REGLER IMMER AUF DIE AUSGANGSPOSITION ZURÜCK wenn das Essen vor der eingegebenen Zeit entnommen ist oder wenn der Ofen nicht gebraucht wird. Um den Ofen während des Kochprozesses anzuhalten, drücken Sie auf die Türöffnertaste oder öffnen Sie die Tür bei dem Griff.

REINIGUNG UND WARTUNG

1. Stellen Sie den Ofen ab und entfernen Sie den Stromstecker aus der Steckdose bevor Sie mit der Reinigung des Gerätes beginnen.
2. Halten Sie den Innenraum des Ofens sauber. Essensspritzer und verschüttete Flüssigkeiten, die an den Innenwänden haften, können Sie mit einem feuchten Tuch abwischen. Milde Reinigungsmittel können bei stärkeren Verschmutzungen verwendet werden. Vermeiden Sie den Gebrauch von Spray und anderen aggressiven Reinigern, da sie Flecken oder Streifen bilden oder das Sichtfenster trüben können.
3. Die äußeren Oberflächen sollten mit einem feuchten Tuch gereinigt werden. Um Schäden im Inneren des Gerätes zu vermeiden, darf kein Wasser in die Lüftungsschlitze eindringen.
4. Wischen Sie die Tür und das Sichtfenster von beiden Seiten und auch die Bestandteile des Schließmechanismus regelmäßig mit einem feuchten Tuch um Spritzer und Flecken zu entfernen. Benutzen Sie keine Scheuermittel.
5. Lassen Sie das Bedienfeld niemals nass werden. Reinigen Sie es mit einem weichen, feuchten Tuch. Beim Reinigen des Bedienfeldes lassen Sie die Tür offen, um zu vermeiden, dass der Ofen unbeabsichtigt angeht.

6. Falls sich beim Betrieb Dampf innerhalb der Ofentür bildet, wischen Sie diese mit einem weichen Tuch ab. Dies kann vorkommen, wenn das Gerät bei hoher Luftfeuchtigkeit betrieben wird und ist völlig normal.

7. Es ist gelegentlich notwendig den Glas-Teller zu entfernen um ihn zu reinigen. Spülen Sie den Teller in warmem, seifigem Wasser oder tun Sie ihn in die Spülmaschine.

8. Der Roll-Ring und der Boden des Ofens sollten regelmäßig gereinigt werden um Störgeräusche zu vermeiden. Wischen Sie den Boden ganz einfach mit einem milden Reinigungsmittel aus. Der Roll-Ring kann in warmem Seifenwasser oder im Geschirrspüler gewaschen werden. Beim Entfernen des Roll-Ring vergewissern Sie sich, dass er wieder eine richtige Position einnimmt.

9. Entfernen Sie störende Gerüche aus dem Ofen, in dem eine Mikrowellen-feste Schüssel mit Wasser, Zitronensaft und der Schale einer ganzen Zitrone füllen und diese 5 Minuten per Mikrowelle erhitzen. Wischen Sie den Ofen danach mit einem weichen Tuch trocken.

10. Sollte es notwendig sein, das Ofen-Licht zu ersetzen, wenden Sie sich bitte an den Händler oder an einen qualifizierten Techniker.

11. Der Ofen sollte regelmäßig gereinigt und von Essensresten befreit werden. Eine mangelnde Reinigung kann zur Abnutzung der Oberflächen führen, was eine Beeinträchtigung der Lebensdauer des Gerätes zur Folge hat und in gefährlichen Situationen resultieren kann.

12. Bitte entsorgen Sie das Gerät nicht im gewöhnlichen Hausmüll, sondern geben Sie es bei einem geeigneten von der Gemeinde zur Verfügung gestellten Entsorgungszentrum ab.

UMWELT

ACHTUNG :



Werfen Sie nicht dieses Produkt, wie es mit anderen Haushaltsprodukten hat. Es gibt eine Mülltrennung von diesem Produkt in Gemeinden, Sie müssen Ihre lokalen Behörden über die Orte, wo man dieses Produkt zurückgeben können zu informieren.

In der Tat enthalten elektrische und elektronische Produkte gefährliche Stoffe, die schädliche Auswirkungen auf die Umwelt oder die menschliche Gesundheit haben und sollte recycelt werden. Das Symbol hier darauf hinweisen, dass elektrische oder elektronische Geräte sollten sorgfältig ausgewählt werden, ist ein fahrbarer

Abfallbehälter mit einem Kreuz markiert.

Adeva SAS / H.Koenig Europe - 8 rue Marc Seguin, 77290 Mitry-Mory, France
www.hkoenig.com - sav@hkoenig.com - contact@hkoenig.com - Tél: +33 1 64 67 00 05

NEDERLANDS

Lees deze instructies aandachtig voor het installeren en gebruiken van de oven.

Noteer in de ruimte hieronder het SERIAL NO. Te vinden op het naamplaatje op je oven en bewaar deze informatie voor toekomstige referentie.

Belangrijke Veiligheidsinstructies

Bij gebruik van elektrische apparaten moet altijd de standaard voorzorgsmaatregelen worden gevolgd, waaronder de volgende:

WAARSCHUWING: Om het gevaar te verkleinen op verbrandingen, elektrische schokken, vuur en verwondingen, of blootstelling aan overmatige magnetron straling:

- Lees alle instructies voor het gebruik van het apparaat.
- Gebruik dit apparaat alleen voor beoogd gebruik, zoals beschreven in deze handleiding. Gebruik geen bijtende chemicaliën of of dampen in dit apparaat. Dit type oven is specifiek ontworpen voor verwarmen, koken of het drogen van voedsel. Het is niet ontworpen voor industrieel of laboratorium gebruik.
- Gebruik de oven niet als het leeg is.
- Gebruik dit apparaat niet als het een beschadigde kabel of stekker heeft, als het niet goed werkt, beschadigd is of is gevallen. Als de kabel is beschadigd moet het worden vervangen door de fabrikant, service monteur of een gelijkwaardig gekwalificeerd persoon om gevaar te vermijden
- **WAARSCHUWING:** Laat kinderen alleen de oven gebruiken zonder toezicht als ze voldoende instructies hebben gehad, zodat het kind de oven op een veilige manier kan gebruiken en de gevaren begrijpt van verkeerd gebruik.
- Om het gevaar van vuur te verkleinen in de oven ruimte:
- Bij het verwarmen van voedsel in een plastic of papieren bak, controleer de oven regelmatig op mogelijke ontbranding.

- Verwijder metalen sluitingen van papieren en plastic zakken voor het plaatsen van van de zak in de oven.
- Indien rook wordt waargenomen, het apparaat uitschakelen of de stekker los maken en houd de deur dicht om mogelijke vlammen te doven.
- Gebruik de oven ruimte niet voor opslag. Laat geen papieren producten, bak voorwerpen of voedsel in de oven ruimte als het niet in gebruik is.
- **WAARSCHUWING:** Vloeistoffen en ander voedsel moeten niet in gesloten bakjes opgewarmd worden, omdat ze mogelijk kunnen exploderen.
- Het opwarmen van dranken in een magnetron kan resulteren dat overkoken kan worden verlaat, daarom altijd voorzichtig de beker pakken.
- Geen voedsel in de oven frituren. Hete olie kan oven onderdelen en toebehoren beschadigen en tevens resulteren in verbrandingen.
- Eieren in hun schaal en hele hardgekookte eieren moeten niet worden opgewarmd in de oven, omdat ze mogelijk nog kunnen exploderen als de opwarming als afgelopen is.
- Maak een gaatje in voedsel met een harde schil, zoals aardappelen, hele pompoenen, appels en kastanjes voor het verwarmen.
- De inhoud van zuigflesjes en babyflesjes moet worden geroerd of geschud en de temperatuur moet worden gecontroleerd voor serveren om verbrandingen te vermijden.
- Keukengerei kan heet worden als de hitte van het verwarmde voedsel wordt overgedragen. Pannelappen moeten mogelijk worden gebruikt om het vast te houden.
- Keukengerei moet worden gecontroleerd of ze geschikt zijn voor gebruik in een magnetron.

- **WAARSCHUWING:** Het is gevaarlijk voor iedereen, behalve een opgeleid persoon, om onderhoud of reparaties uit te voeren, waarvoor een afdekking moet worden verwijderd, die bescherming geeft tegen magnetron straling.
- Dit product is een Groep 2 Class B ISM apparaat. De definitie van Groep 2 is alles wat ISM (Industriële, Wetenschappelijke en Medische) apparaten omvat, welke opzettelijk radio frequentie straling genereren en/of in de vorm elektromagnetische straling voor de behandeling van materiaal en vonk erosie apparaten. Class B apparaten zijn apparaten geschikt voor huishoudelijk gebruik en instellingen die aangesloten zijn op een laag voltage voedingsnetwerk, die gebouwen voorzien van huishoudelijk gebruik.
- Kinderen moeten onder toezicht blijven om te verzekeren dat ze niet met het apparaat spelen.
- De magnetron oven kan alleen vrijstaand worden gebruikt.
- **WAARSCHUWING:** Plaats de oven niet boven een kookplaat of andere hitte producerend apparaat. Dit kan schade veroorzaken en de garantie vervalt.
- Het toegankelijke oppervlak kan heet worden tijdens gebruik.
- De magnetron oven mag niet in een kast worden geplaatst.
- De deur of de buitenkant kan heet worden als het apparaat in gebruik is.
- De temperatuur van toegankelijke oppervlakken kan hoog oplopen als het apparaat in gebruik is.
- Het apparaat moet worden geplaatst tegen een muur.
- Er moet worden toegezien dat kinderen niet spelen met het apparaat.
- **WAARSCHUWING:** Als de deur of de deurafdichting is

beschadigd, mag de oven niet meer gebruikt worden totdat het is gerepareerd door een vakbekwaam persoon.

- De instructies vermelden dat het apparaat niet is gemaakt om te worden beheerd door een externe timer of een ander bedieningssysteem.
- De magnetron oven is alleen voor huishoudelijk gebruik en niet voor commercieel gebruik.
- Verwijder nooit de afstandhouders aan de achter of zijkanten, omdat het verzekerd dat er voldoende ruimte blijft tussen de muur voor lucht circulatie.
- Verwijder eerst de draaischijf voor het verplaatsen van het apparaat om schade te voorkomen.
- Pas op: Het is gevaarlijk om reparatie en onderhoud uit voeren door iemand anders dan een specialist, omdat hiervoor de kap moet worden verwijderd, die bescherming geeft tegen magnetron straling. Dit geldt ook voor vervanging van de stroomkabel en verlichting. Stuur het apparaat in deze gevallen naar ons service center.
- De magnetron oven is alleen bedoeld voor ontdooien, verwarmen en stomen van voedsel.
- Gebruik wanten bij het verwijderen van opgewarmd voedsel.
- Pas op! Stoom kan vrijkomen bij het openen van deksels of folies.
- Houd het apparaat en het snoer buiten bereik van kinderen onder de 8 jaar.
- Bij het gebruik van elektrische apparatuur moeten altijd veiligheidsmaatregelen worden genomen om het risico van brand, elektrische schokken en/of letsel in geval van verkeerd gebruik te voorkomen.
- Controleer of de spanning op het typeplaatje overeenkomt met de spanning die op het typeplaatje staat van uw installatie. Als dit niet het geval is, neem dan

• VOORZORGSATREGELN OM MOGELIJKE BLOOTSTELLING AAN OVERMATIGE MAGNETRON STRALING TE VERMIJDEN

- Probeer niet om deze oven te gebruiken met de deur open, omdat dit kan leiden tot een schadelijke blootstelling aan magnetron straling. Het is belangrijk om niets aan de veiligheidsvoorzieningen te veranderen.
- Plaats geen ander object tussen de voorkant van de oven en de deur en laat geen vuiligheid of schoonmaakmiddel overblijfselen ophopen op de afsluitstrippen.
- Gebruik de oven niet als het beschadigd is. Het is belangrijk dat de oven goed gesloten wordt en er geen schade is aan de
 - Deur (gebogen),
 - Scharnieren en vergrendelingen (kapot of los),
 - Deurafdichtingen en afdichtvlakken.
- De oven mag niet worden aangepast of gerepareerd, behalve door gekwalificeerd personeel.

contact op met de dealer en sluit het apparaat niet aan.

- Laat het apparaat nooit onbeheerd achter terwijl het in bedrijf is
- Bewaar dit document bij de hand en geef het aan de toekomstige eigenaar in geval van overdracht van uw apparaat.
- Dit apparaat kan gebruikt worden door kinderen vanaf 8 jaar en personen met een beperkte lichamelijke, zintuiglijke en geestelijke capaciteit of een gebrek van ervaring en kennis als er toezicht is of instructies hebben gehad voor het gebruik van het apparaat op een veilige manier en de gevaren begrijpen. Kinderen mogen niet met het apparaat spelen. Schoon maken en gebruikersonderhoud mag niet door kinderen gebeuren, tenzij ze 8 jaar en ouder zijn en er toezicht is.
- Als er rook vrijkomt, schakel het apparaat uit of trek de stekker eruit en houdt de deur dicht om te smoren.
- Het apparaat mag niet worden gebruikt als het is gevallen, er zijn duidelijke tekenen van schade zichtbaar of er zijn lekken.

ZORGVULDIG TE LEZEN EN TE BEWAREN VOOR TOEKOMSTIG GEBRUIK.

- Dit apparaat is bedoeld voor gebruik in huishoudelijke en soortgelijke toepassingen zoals :
 - personeelskeukens in winkels, kantoren en andere professionele omgevingen;
 - boerderijen;
 - gebruik door gasten in hotels, motels en andere woonomgevingen;
 - bed and breakfast-omgevingen.
- Metalen containers voor voedsel en dranken zijn niet toegestaan bij het koken in microgolven.
- De magnetron is bedoeld voor het verwarmen van voedsel en dranken. Het drogen van voedsel of was- en verwarmingskussens, pantoffels, sponzen, nat wasgoed en dergelijke kan leiden tot het risico van letsel, ontsteking of brand.
- Het apparaat mag niet met stoom worden gereinigd.

INSTALLATIE

1. Controleer of al het verpakkingsmateriaal is verwijderd van de binnenkant van de deur.
2. **WAARSCHUWING:** Controleer de oven op schade, bijvoorbeeld slechte deurafsluiting of gebogen deur, beschadigde deurafdichtingen en afdichtvlakken, kapotte of losse scharnieren en vergrendelingen en deuken aan de binnenkant van de ruimte of op de deur. Als er schade is, gebruik de oven niet en neem contact op met gekwalificeerd personeel.
3. Deze magnetron moet worden geplaatst op een vlakke, stabiele ondergrond dat het gewicht aan kan met het zwaarste voedsel dat erin verwarmd kan worden.
4. Plaats de oven niet waar hitte, vocht of hoge luchtvochtigheid wordt opgewekt, of naast ontbrandbare materialen.
5. Voor een goede werking, moet de oven voldoende luchtstroom hebben. Zorg voor 20cm ruimte boven de oven, 10cm aan de achterkant en 5cm aan de zijden. Blokkeer geen van de openingen van het apparaat. Niet de voeten verwijderen.
6. Gebruik de oven niet zonder de glas plaat, roldragers en schacht op de correcte posities.
7. Controleer dat de stroomkabel onbeschadigd is en niet onder de oven ligt of op een heet of scherp oppervlak.
8. Het stopcontact moet gemakkelijk toegankelijk zijn, zodat de stekker er snel uit kan in geval van nood.
9. Gebruik de oven niet buiten.

RADIO INTERFERENTIE

Het gebruik van de magnetron oven kan interferentie opleveren op uw radio, TV of dergelijke apparaten.

Als er interferentie is kan het mogelijk worden opgelost of verminderd door de volgende maatregelen:

1. Maak de deur en afdichtvlak schoon van de oven.
2. Richt de antenne van de radio of tv opnieuw uit.
3. Richt de magnetron weg van de ontvanger.
4. Verplaats de magnetron verder van de ontvanger.
5. Steek de stekker van de magnetron in een ander stopcontact zodat de magnetron en ontvanger op een andere groep zitten.

MAGNETRON VERWARM STELREGELS

1. Plaats het voedsel zorgvuldig. Plaats de dikste stukken richting de buitenkant van het bord.
2. Bekijk de verwarm tijd. Verwarm voor de kortste tijd aangegeven en doe het langer indien nodig. Voedsel dat te gaar is kan roken of verbranden.
3. Bedek het voedsel tijdens het verwarmen. Een deksel voorkomt spetters en zorgt voor gelijkwaardiger verwarmen.
4. Draai het voedsel een keer om tijdens het verwarmen in de magnetron, zodat ze voedsel als kip en hamburgers sneller opwarmen. Grote stukken zoals gebrad moet meerdere keren worden omgedraaid.
5. Verplaats voedsel zoals gehaktballen halverwege het verwarmen van onder naar boven en van het midden naar buiten van het bord.

AARDING INSTRUCTIES

Dit apparaat moet worden geaard. Deze oven is voorzien van een kabel met een aarddraad en aarde stekker. Deze moet worden gestoken in een stopcontact voorzien van aarde. In het geval van een kortsluiting, verkleint de aarde de kans op een elektrische schok doordat de stroom wordt weg geleid. Het wordt aanbevolen dat de oven alleen op een groep wordt aangesloten. Het gebruik van een hoog voltage is gevaarlijk en kan leiden tot vuur of andere ongelukken en kan de oven permanent beschadigen.

WAARSCHUWING Ondeugdelijk gebruik van de aarde stekker kan leiden tot risico op een elektrische schok.

Notitie:

1. Als u vragen heeft over het aarden of elektrische instructies, neem contact op met een elektricien of een service persoon.
2. Noch de fabrikant of de dealer kan aansprakelijk worden gesteld voor schade aan de oven of persoonlijke verwondingen, die het resultaat zijn van het niet opvolgen van de instructies.

De draden in de kabel zijn gekleurd volgens de code:

Groen en Geel = AARDE

Blauw = NUL

Bruin = FASE

VOORDAT UW DE SERVICE BELT

Als de oven niet werkt:

1. Controleer of de stekker goed is aangesloten. Zo niet, haal de stekker uit het stopcontact en wacht 10 seconden en duw hem er weer in.
2. Controleer of er zekering uit ligt, alsook de hoofdschakelaar. Als dit alles goed blijkt, controleer het stopcontact met een ander apparaat.
3. Controleer of het bedieningspaneel goed is ingesteld en de timer is ingesteld.
4. Controleer of de deur goed is gesloten en of het veiligheidssysteem goed vergrendeld. Is dit niet het geval dan zal de straling niet in de oven blijven.

ALS GEEN VAN HET BOVENSTAANDE HET GEVAL IS, NEEM DAN CONTACT OP MET EEN ELECTRICIEN. PROBEER NIETS ZELF AAN TE PASSEN OF TE REPAREREN.

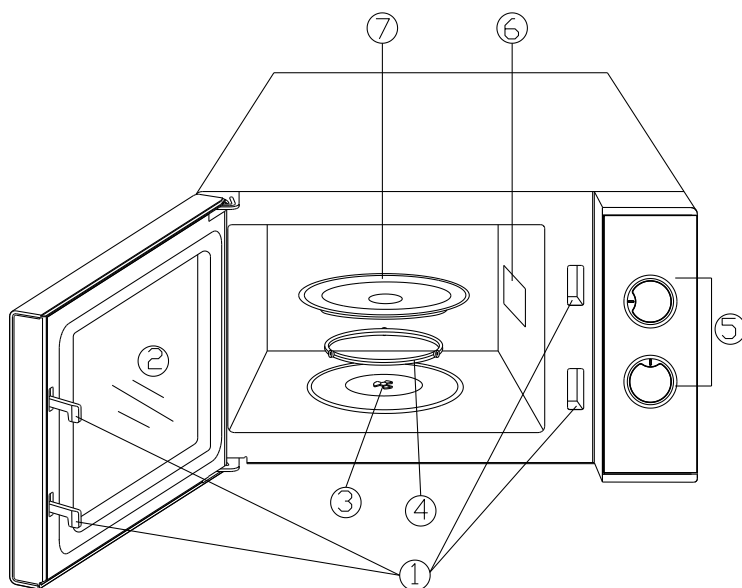
TOEBEHOREN

1. Het ideale materiaal voor gebruiksvoorwerpen voor een magnetron is ongevoelig voor de straling, het laat de straling door de behuizing en verwarmt het voedsel.
2. Microgolven kunnen niet door metaal, dus metalen voorwerpen of met een metallic afwerking moeten niet worden gebruikt.
3. Gebruik geen producten van gerecycled papier voor magnetron verwarming, omdat ze mogelijk metalen deeltjes bevatten die vonken en/of vuur veroorzaken.
4. Ronde/ovale borden worden aangeraden in plaats van vierkante/langwerpige, omdat voedsel in hoeken te gaar wordt.
5. Kleine strips van aluminium folie kunnen worden gebruikt om te voorkomen dat sommige stukken te gaar worden. Maar gebruik niet te veel en hou genoeg ruimte 1 inch (2.54cm) over tussen de folie en de oven ruimte.

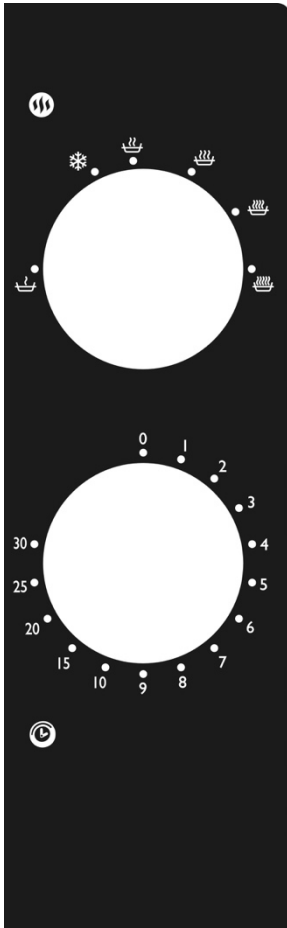
De onderstaande lijst is als hulp om het juiste keukengerei te kiezen.

KOOKGEREI	MAGNETRON
Hitte Bestendig Glas	Ja
Hitte Onbestendig Glas	Nee
Hitte Bestendig Keramiek	Ja
Magnetron Veilig Plastic Bord	Ja
Keukenpapier	Ja
Metalen Schaal	Nee
Metalen Standaard	Nee
Aluminium Folie & Folie Bakje	Nee

ONDERDEEL NAMEN



1. Deur Veiligheid Sluiting
Systeem
2. Oven Raam
3. Schacht
4. Roller Ring
5. Bedieningspaneel
6. Stralinggeleider
7. Glazen Schaal



BEDIENINGSPANEEL

Het bedieningspaneel heeft twee functie schakelaars. De een is een timer knop, de ander een power knop.

POWER/ACTIE KEUZE

Je gebruikt deze knop om het verwarm niveau te kiezen. Het is de eerste stap in het verwarm proces.

TIMER KNOP

Geeft een visuele tijd instelling met een makkelijke draai om de juiste tijd instelling tot 30 minuten per sessie te kiezen.

MAGNETRON VERWARMING

Voor pure magnetron verwarming zijn er zes niveaus om uit te kiezen, kies degene die het best bij het te verwarmen product.

Het power niveau stijgt als knop met de klok mee wordt gedraaid. De power niveaus zijn als volgt:

Power Vermogen	Beschrijving
100%	EXTRA HOOG
88%	HOOG
73%	GEMIDDELD
52%	LAAG
42%	ONTDOOIEN
20%	EXTRA LAAG

GEBRUIK

Om het verwarmen te beginnen,

1. Plaats voedsel in de oven en sluit de deur.
2. Draai de Power naar de juiste keuze.
3. Zet de Timer op de juiste tijd

OPMERKING:

Zodra de timer is gedraaid, begint de oven met verwarmen.

Voor korter dan 2 minuten, draai de timer eerst voorbij 2 minuten en dan terug naar de correcte tijd.

PAS OP: ALTIJD DE TIMER TERUG NAAR DE NUL STAND ZETTEN als het voedsel al uit de oven is verwijderd voordat de timer is afgegaan of als de oven niet in gebruik is. Om de oven te stoppen tijdens het verwarmen, druk op de ontgrendel knop of open de deur bij de hendel.

SCHOONMAKEN EN ONDERHOUD

1. Schakel de oven uit en haal de stekker uit het stopcontact voor het schoon maken.
2. Hou de binnenkant van de oven schoon. Als er voedsel spetters of gemorste vloeistoffen op de oven wanden zit, veeg het schoon met een vochtige doek. Een mild schoonmaakmiddel kan gebruikt worden als het erg vies is. Vermijd het gebruik van spuitbussen en andere bijtende schoonmaakmiddelen, omdat ze mogelijk vlekken, strepen of dofheid op het oppervlak kunnen veroorzaken.
3. De buitenkant kan worden schoongemaakt met een vochtige doek. Om schade aan het binnenwerk van de oven te vermijden, laat geen water in de ventilator openingen druppelen.
4. Veeg de deur en het raam regelmatig schoon aan beide zijden, alsook de afdichtingen met een vochtige doek om viezigheid te verwijderen. Gebruik geen bijtende schoonmaakmiddelen.
5. Laat het bedieningspaneel niet nat worden. Maak schoon met een zachte, vochtige doek. Bij het schoon maken van het bedieningspaneel laat de deur open zodat het niet per ongeluk aan kan gaan.
6. Als er condens ontstaat aan de binnen of buitenkant van de deur, veeg het af met een zachte doek. Dit kan gebeuren als de magnetron gebruikt wordt in een omgeving met hoge luchtvochtigheid. Dit is normaal.
7. Het is af en toe noodzakelijk om de glazen plaat te verwijderen om het schoon te maken. Was de plaat in warme sop of in de vaatwasser.
8. De driepoot met wieltjes en de oven bodem moet regelmatig worden schoongemaakt om overbodig

geluid te vermijden. Veeg de bodem schoon met een mild schoonmaakmiddel. De driepoot met wieltjes kan worden gewassen in een mild sopje of in de vaatwasser. Bij verwijdering van de driepoot met wieltjes, controleer of het goed is teruggeplaatst.

9. Verwijder geuren in je oven door een kop water met het sap en schil van een citroen in een diepe schaal te doen en de magnetron 5 minuten laten draaien. Veeg zorgvuldig en droog het met een zachte doek.
10. Als het noodzakelijk is om het ovenlicht te vervangen, raadpleeg een dealer om het te laten vervangen.
11. De oven moet regelmatig worden schoongemaakt en voedselresten moeten worden verwijderd. Het niet schoon houden van de oven kan leiden tot afbraak van het oppervlak dat weer kan leiden tot een kortere levensduur van het apparaat en kan mogelijk gevaarlijk zijn.
12. Gooi dit apparaat niet bij het normale afval; het moet afgevoerd worden als elektrisch apparaat zoals aangegeven wordt door de gemeente.

MILIEU



ATTENTIE :

Dit apparaat mag niet met uw ander huishoudelijke toestellen worden verwijderd. Dit product moet op een geselecteerde stortplaats verwijderd worden. U kunt bij de gemeente een indiceerde plaats aanvragen. Elektrisch en elektronische producten kunnen gevaarlijke stoffen inhouden die schadelijk zijn voor mensen en het milieu en moet recycled worden. Het symbool aan de kant geeft aan dat het een elektrisch en elektronisch toestel is en zijn dus artikelen van een selectieve collectie. Het beeld geeft een afvalbak met een X teken aan.

ESPAÑOL

Lea estas instrucciones detalladamente antes de instalar y utilizar su horno de microondas.

En el espacio debajo, registre el NÚMERO DE SERIE que se encuentra en la placa de identificación en su horno y guarde este manual de instrucciones para su consulta futura.

Instrucciones de seguridad importantes

Para utilizar un electrodoméstico se deben seguir ciertas precauciones básicas de seguridad, incluyendo las siguientes:

ADVERTENCIA: Para reducir el riesgo de quemaduras, descargas eléctricas, incendios, lesiones corporales o la exposición a energías de microondas excesivas:

- Lea todas las instrucciones antes de usar el horno.
- Use este electrodoméstico sólo para los fines descritos en este manual. No utilice productos químicos corrosivos o vapores en este aparato. Este tipo de horno está diseñado específicamente para calentar, cocinar o secar alimentos. No está concebido para usos industriales ni laboratorios.
- No utilice el horno con su cavidad vacía.
- No utilice este horno si el cable de alimentación o el enchufe están dañados, o si el aparato propiamente dicho no está funcionando como debería, está en mal estado o se ha caído. Si el cable de alimentación está deteriorado debe ser remplazado por el fabricante, su personal técnico o un especialista similar para evitar riesgos.
- **ADVERTENCIA:** A los niños se les puede permitir el uso del horno sin supervisión única y exclusivamente cuando hayan recibido las instrucciones adecuadas para utilizar el aparato de forma segura y hayan entendido los peligros que acarrea un uso inapropiado.
- Para reducir el riesgo de incendio dentro de la cavidad del horno:

- Cuando caliente alimentos en envases de papel o plásticos, verifique regularmente el horno para prevenir una posible combustión.
- Retire las torceduras de alambre de las bolsas de papel o de plástico antes de introducirlas al horno.
- Si observa humo, apague el horno inmediatamente o desenchúfelo del tomacorriente y mantenga la puerta cerrada con el fin de ahogar cualquier indicio de llamas.
- No utilice la cavidad del horno como local de almacenamiento. No deje productos de papel, utensilios de cocina ni alimentos en la cavidad del horno cuando no esté en uso.
- **ADVERTENCIA:** Los líquidos u otros alimentos no deben ser calentados en recipientes cerrados ya que estos son proclives a explotar.
- Las bebidas calentadas por microondas pueden hervir de forma violenta incluso después de sacarlas del horno, por lo que debe tener cuidado al manipular el recipiente.
- No utilice el horno para freír alimentos. El aceite caliente puede dañar las piezas del horno y sus accesorios e incluso provocar quemaduras en la piel.
- Los huevos enteros con cáscara, naturales o duros, no se deben calentar en hornos de microondas ya que pueden explotar incluso después de haberlos sacado del horno.
- Alimentos con cáscaras densas como patatas, calabazas enteras, manzanas y castañas, deben ser perforados antes de colocarlos para cocción.
- Debe agitar o sacudir el contenido de biberones y frascos para bebés en general, así como verificar su temperatura antes de servirlo para evitar quemaduras.
- Los utensilios de cocina pueden calentarse debido al

calor transferido por los alimentos calentados. Puede que necesite agarraderas para manipular el utensilio.

- Debe revisar los utensilios que pretende utilizar para garantizar que puedan ser usados en el horno de microondas.
- **ADVERTENCIA:** Es peligroso que alguien que no sea un especialista calificado realice cualquier servicio o reparación que implique quitar cualquiera de las cubiertas de protección contra la exposición a la energía de microondas.
- Este horno de microondas es un equipo ISM del Grupo 2 Clase B. La definición del Grupo 2 incluye todos los equipos ISM (Industrial, Científico y Médico) en los que intencionalmente se genera energía de radiofrecuencia y/o la utilizan en forma de radiación electromagnética para el tratamiento de materiales y en equipos de soldadura por arco. Por ser de la Clase B, el equipo es adecuado para el uso en establecimientos domésticos y en locales directamente conectados a una red eléctrica de baja tensión que abastezca a instalaciones utilizadas para fines domésticos.
- Este electrodoméstico no debe ser usado por personas (incluyendo niños) con discapacidad física, sensorial o motora, o con falta de experiencia y conocimiento, a menos que sean supervisadas o hayan sido instruidas en el uso del aparato por una persona responsable por su seguridad.
- Los niños deben ser supervisados para garantizar que no jueguen con el aparato.
- El horno de microondas sólo se utiliza de forma autónoma.
- **ADVERTENCIA:** No coloque el horno sobre una placa de cocción, anafe u otro artefacto que produzca calor.

De hacerlo, el horno podría dañarse y eso anularía la garantía.

- El horno de microondas no debe colocarse en un armario.
- La puerta o las superficies accesibles pueden calentarse con el horno en funcionamiento.
- El horno de microondas deberá colocarse contra una pared.
- **ADVERTENCIA:** Si la puerta o los sellos de la puerta están dañados, es imperativo que no utilice el horno hasta que sea reparado por una persona competente.
- Se reitera la indicación de que los electrodomésticos no son diseñados para ser operados a través de un temporizador externo ni por un sistema de control remoto.
- El horno de microondas es para uso doméstico únicamente y no para uso comercial.
- Nunca retire el soporte separador en la parte trasera o en los laterales ya que este garantiza la distancia mínima desde la pared para la circulación de aire.
- Asegure la bandeja de vidrio antes de mover el aparato para evitar que se dañe.
- **PRECAUCIÓN:** Es peligroso que alguien que no sea un especialista repare o le de mantenimiento al horno, porque en estas circunstancias hay que retirar la cubierta de protección contra la radiación de microondas. Esto también se aplica al reemplazo del cable de alimentación o la bombilla. En esos casos, envíe el aparato a nuestro centro de servicios.
- El horno de microondas está diseñado únicamente para el deshielo y la cocción normal o al vapor de alimentos.
- Use guantes para retirar cualquier alimento caliente del horno.

- **PRECAUCIÓN:** Se desprende vapor al abrir las tapas o el papel de embalajes.
- Este electrodoméstico puede ser utilizado por niños mayores de 8 años y personas con discapacidad física, sensorial o motora, o con falta de experiencia y conocimiento, siempre que hayan recibido supervisión o instrucciones en el uso del aparato de forma segura y entienden los peligros involucrados. La limpieza y el mantenimiento a cargo del usuario no deben ser realizados por niños, a menos que sean mayores de 8 años y estén bajo la supervisión de un adulto.
- El dispositivo no debe utilizarse si se ha caído, si hay signos evidentes de daño o si hay fugas.
- Mantenga el aparato y su cable eléctrico fuera del alcance de niños de menos de 8 años.
- Al utilizar equipos eléctricos, siempre se deben tomar precauciones de seguridad para evitar el riesgo de incendio, descarga eléctrica y/o lesiones en caso de uso indebido.
- Asegúrese de que la tensión nominal de la placa de características corresponde a la tensión de red de su instalación. Si no es así, póngase en contacto con el distribuidor y no conecte la unidad.
- Nunca deje la unidad desatendida mientras esté en funcionamiento.
- Por favor, tenga este documento a mano y entréguelo al futuro propietario en caso de transferencia de su dispositivo

PRECAUCIONES PARA EVITAR UNA POSIBLE EXPOSICIÓN A ENERGÍAS DE MICROONDAS EXCESIVAS

1. No intente operar este horno con la puerta abierta, esto puede provocar una exposición nociva a la energía de microondas. Es importante no quebrar ni obstruir los cierres de seguridad.
2. No coloque ningún objeto entre la puerta y el frente de la cavidad del horno, ni permita que residuos de suciedad o de productos de limpieza se acumulen en las superficies de cierre.
3. No opere el horno si está dañado. Es particularmente importante que la puerta del horno cierre correctamente y que no hayan daños en:
 - a. Puerta (desalineada o doblada)
 - b. Bisagras y pestillos (rotos o sueltos)
 - c. Sellos de la puerta y superficies de cierre.
4. El horno no debe ser ajustado ni reparado por alguien que no sea del personal técnico debidamente calificado para ello.

LEA CUIDADOSAMENTE Y GUARDE PARA UN USO FUTURO.

- Este dispositivo está destinado a ser utilizado en aplicaciones domésticas y similares como :
 - áreas de cocina del personal en tiendas, oficinas y otros entornos profesionales ;
 - granjas;
 - uso de huéspedes en hoteles, moteles y otros entornos residenciales;
 - entornos de tipo cama y desayuno.
- No se permite el uso de recipientes metálicos para alimentos y bebidas al cocinar en microondas.
- El horno de microondas está destinado a calentar alimentos y bebidas. El secado de alimentos o de ropa y el calentamiento de almohadillas, zapatillas, esponjas, ropa húmeda y artículos similares pueden provocar el riesgo de lesiones, ignición o incendio.
- El aparato no debe limpiarse con vapor.

INSTALACIÓN

1. Asegúrese de retirar todo el material de embalaje y los accesorios que están en la cavidad del horno.
2. **ADVERTENCIA:** Verifique que el horno no esté dañado, por ejemplo: puerta desalineada o doblada, daños en los sellos de la puerta y superficies de cierre, bisagras y pestillos de la puerta rotos o sueltos y abolladuras dentro de la cavidad o en la puerta. Si percibe algún daño, no utilice el horno y póngase en contacto con el personal técnico calificado.
3. Este horno de microondas debe colocarse sobre una superficie plana y estable que soporte su peso en conjunto con los alimentos más pesados que pretenda cocinar en el horno.
4. No coloque el horno donde se pueda producir calor o humedad, ni cerca de materiales inflamables.
5. Para un funcionamiento correcto, el horno debe tener un buen flujo de aire. Deje 20 cm de espacio encima del horno, 10 cm en la parte trasera y 5 cm en ambos lados. No cubra ni obstruya los conductos de ventilación del aparato. No quite las patas de apoyo.
6. No utilice el horno sin la bandeja de vidrio, el aro giratorio y el eje debidamente acomodados en sus posiciones.
7. Asegúrese de que el cable de alimentación no esté dañado y que no quede debajo del horno o sobre cualquier superficie caliente o afilada.
8. El tomacorriente para el enchufe tiene que estar en un lugar de fácil acceso para que pueda desenchufar el aparato rápidamente en caso de emergencia.
9. No utilice el horno a la intemperie.

INTERFERENCIAS DE RADIO

El funcionamiento del horno de microondas puede causar interferencias en la señal de su radio, televisor o equipos similares.

Cuando haya interferencias, estas pueden ser reducidas o eliminadas adoptando las medidas siguientes:

1. Limpie la puerta y las superficies de cierre del horno.
2. Cambie la orientación de la antena de su radio o televisor.
3. Cambie la posición del horno de microondas con respecto al receptor.
4. Aleje el horno de microondas del receptor.
5. Enchufe el horno de microondas en otro tomacorriente, de modo el horno y el receptor estén conectados a ramales eléctricos diferentes.

PRINCIPIOS DE COCCIÓN CON MICROONDAS

1. Acomode los alimentos con cautela. Coloque las áreas más gruesas hacia fuera del plato.
2. Esté atento al tiempo de cocción. Cocine por el menor tiempo sugerido y prolongue cuando sea necesario. Los alimentos muy pasados de cocción pueden echar humo o incendiarse.
3. Cubra los alimentos durante la cocción. Esto evita salpicaduras y ayuda a que los alimentos se cocinen uniformemente.
4. Voltee los alimentos una vez durante la cocción con microondas, esto acelera la cocción de alimentos como pollo y hamburguesas. Piezas grandes como los asados deberán ser volteadas por lo menos una vez.
5. Reacomode alimentos como las albóndigas a mitad del tiempo de cocción, tanto de arriba hacia abajo como desde el centro del plato hacia fuera.

INSTRUCCIONES DE CONEXIÓN A TIERRA

Este aparato tiene que estar conectado a tierra. Este horno cuenta con un cable de alimentación con conexión a tierra a través de un enchufe de tres clavijas, una de las cuales es para la conexión a tierra. El cable debe enchufarse a un tomacorriente de pared correctamente instalado y conectado a tierra. En caso de cortocircuito, la conexión a tierra reduce el riesgo de descarga eléctrica al proporcionar un cable de escape para la corriente. Se recomienda conectar el horno a un ramal eléctrico independiente. El uso de voltajes superiores al indicado es peligroso y puede provocar un incendio u otro accidente perjudicial para el horno.

ADVERTENCIA: El uso inadecuado de la clavija de conexión a tierra en el enchufe podría provocar una descarga eléctrica. **Nota:**

1. Si tiene alguna duda sobre las instrucciones para la conexión a tierra o el sistema eléctrico, consulte a un electricista calificado o al personal técnico.
2. El fabricante y el distribuidor están exentos de cualquier responsabilidad por daños al horno o lesiones personales que resulten del incumplimiento de los procedimientos establecidos para la conexión eléctrica del aparato.

Los alambres por dentro del cable de alimentación obedecen el siguiente código de colores:

Verde y Amarillo = TIERRA

Azul = NEUTRO

Marrón = VIVO

ANTES DE SOLICITAR ASISTENCIA

Si el horno deja de funcionar:

1. Compruebe que el horno esté bien enchufado. Si no lo está, retire el enchufe del tomacorriente, espere 10 segundos y vuelva a enchufarlo que quede bien firme.

2. Compruebe si hay un fusible quemado o un interruptor disparado en el circuito principal. Si estos parecen estar funcionando correctamente, pruebe el estado del tomacorriente con otro aparato.
3. Compruebe que el panel de control esté programado correctamente y que el temporizador esté configurado.
4. Compruebe que la puerta esté firmemente cerrada con su sistema de cierre de seguridad. De lo contrario, la energía de microondas no llegará a la cavidad del horno.

SI NINGUNA DE ESTAS ACCIONES REMEDIA LA SITUACIÓN, ENTONCES CONTACTE A UN TÉCNICO CALIFICADO. NO INTENTE AJUSTAR O REPARAR EL HORNO POR USTED MISMO.

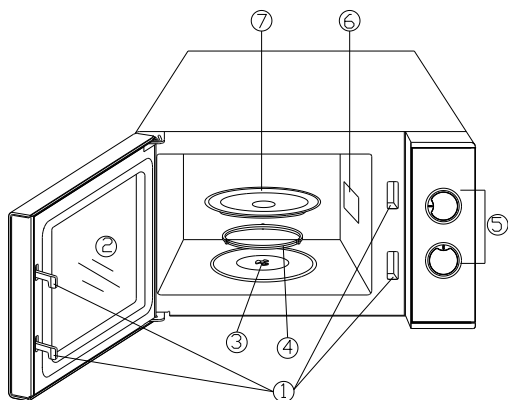
GUÍA DE UTENSILIOS

1. El material ideal para un utensilio de microondas es transparente a las microondas, es decir, permite que la energía pase a través del envase y caliente los alimentos.
2. Las microondas no pueden penetrar el metal, por lo tanto, no debe utilizar utensilios de metal ni platos con ribetes metálicos.
3. No utilice productos de papel reciclado para la cocción con microondas ya que pueden contener pequeños fragmentos de metal que pueden provocar chispas o incendios.
4. Se recomienda el uso de platos redondos/ovalados en lugar de cuadrados/rectangulares ya que los alimentos se pueden pasar del punto de cocción en las esquinas.
5. Puede usar cintas de papel de aluminio para prevenir la cocción excesiva de las áreas expuestas. Pero tenga cuidado, no use demasiadas y deje una distancia mínima de 1 pulgada (2,54 cm) entre la cinta de aluminio y la cavidad del horno.

La siguiente lista es una guía general para ayudarle a escoger los utensilios adecuados.

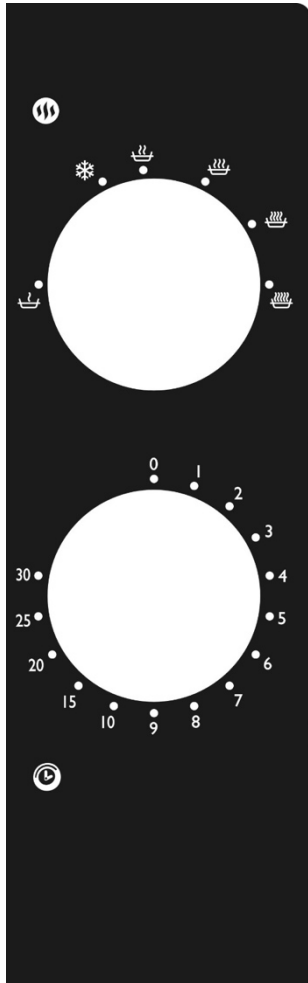
UTENSILIO DE COCINA	MICROONDAS
Cristalería resistente al calor	Si
Cristalería no resistente al calor	No
Alfarería y cerámica resistente al calor	Si
Envases de plástico para Microondas	Si
Papel de cocina	Si
Bandeja de metal	No
Porta platos de metal	No
Envases de Aluminio y de papel de Aluminio	No

IDENTIFICACIÓN DE COMPONENTES Y ACCESORIOS



1. Sistema de cierre de seguridad.
2. Puerta del horno.
3. Eje
4. Soporte de plato giratorio
5. Panel de control.
6. Dispersor de microondas.
7. Bandeja de vidrio.

PANEL DE CONTROL



El panel de control consta de dos perillas de función. Una es la perilla del temporizador y la otra es la perilla del selector de potencia.

SELECTOR DE POTENCIA/ACCIÓN

Utilice esta perilla para seleccionar la potencia de cocción deseada. Este es el primer paso para iniciar un ciclo de cocción.

PERILLA DEL TEMPORIZADOR

Cuenta con una escala de tiempo visual que le permite seleccionar el tiempo de cocción deseado con un simple giro del pulgar. Este tiempo puede ser de hasta 30 minutos por ciclo de cocción.

COCCIÓN CON MICROONDAS

Para la cocción puramente con microondas, usted puede escoger uno de los seis niveles de potencia predefinidos como los de mejor ajuste para hacer el trabajo a mano.

El nivel de potencia aumenta girando la perilla en el sentido de las manecillas del reloj. Los niveles de potencia se pueden clasificar de la siguiente manera:

Potencia de Salida	Clasificación
100%	ALTA
88%	MEDIA ALTA
73%	MEDIA
52%	MEDIA BAJA
42%	DESCONGELAR
20%	BAJA

USO DEL HORNO

Para iniciar un ciclo de cocción:

1. Coloque los alimentos en el horno y cierre la puerta.
2. Gire el Selector de Potencia para seleccionar el nivel de potencia deseado.
3. Utilice la perilla del Temporizador para establecer el tiempo de cocción.

NOTA:

El horno empieza a cocinar inmediatamente después de girar el temporizador.

Para seleccionar un tiempo de cocción inferior a 2 minutos, gire el temporizador a más de 2 minutos y luego regréselo a la posición deseada.

PRECAUCIÓN: SIEMPRE REGRESE EL TEMPORIZADOR A LA POSICIÓN CERO si retira el alimento del horno antes de que se haya completado el tiempo de cocción establecido o cuando el horno no esté en uso. Para detener el horno durante el proceso de cocción, presione el botón de apertura de la puerta o ábrala manualmente por el mango.

LIMPIEZA Y MANTENIMIENTO

1. Apague el horno y desconecte el enchufe del tomacorriente antes de limpiarlo.
2. Mantenga limpio el interior del horno. Cuando salpicaduras de alimentos o derrames de líquidos se adhieran a las paredes del horno, límpielo con un paño húmedo. Puede utilizar detergente suave si el horno está demasiado sucio. Evite el uso de aerosoles y otros limpiadores agresivos ya que estos pueden manchar, opacar o rayar las superficies.
3. Las superficies exteriores deben limpiarse con un paño húmedo. Para evitar daños en los componentes operacionales dentro del horno, nunca permita que el agua penetre por los conductos de ventilación.
4. Limpie regularmente la puerta y la ventana por ambos lados, así como los sellos de la puerta y las áreas adyacentes, utilizando un paño húmedo para eliminar cualquier derrame o salpicadura. No utilice productos de limpieza abrasivos.
5. No deje que el panel de control se moje. Límpielo con un paño suave y húmedo. Para limpiar el panel de control deje la puerta del horno abierta para evitar que este se encienda accidentalmente.
6. Si se acumula vapor por dentro o por fuera de la puerta del horno, límpielo con un paño suave. Esto puede ocurrir cuando el horno de microondas funciona en ambientes muy húmedos y es completamente normal.
7. A veces es necesario quitar la bandeja de vidrio para limpiarla. Lávela con agua jabonosa tibia o en un lavavajillas.

8. El aro giratorio y el piso del horno deben limpiarse con regularidad para evitar ruidos excesivos. Simplemente limpie el piso del horno con un paño y detergente suave. El aro giratorio se puede lavar con agua jabonosa suave o en el lavavajillas. Cuando retire el aro giratorio del piso de la cavidad para limpiarlo, asegúrese de volver a colocarlo en la posición correcta.
9. Quite los malos olores de su horno mezclando una taza de agua con el jugo y la cáscara de un limón en un tazón hondo adecuado para microondas. Accione el horno durante 5 minutos con el tazón en la cavidad. Luego limpie bien y seque con un paño suave.
10. Cuando sea necesario reemplazar la bombilla del horno, consulte a un distribuidor para providenciar el servicio.
11. Debe limpiar el horno con regularidad y eliminar cualquier depósito de alimentos. La falta de mantenimiento del horno en términos de limpieza podría conllevar al deterioro de la superficie, lo que puede reducir la vida útil del aparato e incluso, provocar riesgos.
12. No deseche este aparato en el nicho de basura del hogar; este debe ser descartado en el depósito para desechos electrodomésticos providenciado por los municipios.



MEDIO AMBIANTE

ATENCIÓN :

No se deshaga de este producto como lo hace con otros productos del hogar. Existe un sistema selectivo de colecta de este producto puesto en marcha por las comunidades, debe de informarse en su ayuntamiento acerca de los lugares en los que puede depositar este producto. De hecho, los productos eléctricos y electrónicos pueden contener sustancias peligrosas que tienen efectos nefastos para el medio ambiente o para la salud humana y deben ser reciclados. El símbolo aquí presente indica que los equipos eléctricos o electrónicos deben de ser cuidadosamente seleccionados, representa un recipiente de basura con ruedas marcado con una X.

Adeva SAS / H.Koenig Europe - 8 rue Marc Seguin, 77290 Mitry-Mory, France
www.hkoenig.com - sav@hkoenig.com - contact@hkoenig.com - Tél: +33 1 64 67 00 05

ITALIANO

Si prega di leggere attentamente le istruzioni prima di installare e utilizzare il forno.

Registra nello spazio sottostante il numero seriale sulla targhetta del forno e conservare queste informazioni per riferimento futuro.

Istruzioni importanti per la sicurezza

Quando si utilizzano apparecchi elettrici bisogna seguire diverse precauzioni di sicurezza, tra cui le seguenti:

AVVERTIMENTO: Per ridurre il rischio di ustioni, scosse elettriche, incendi, danni alle persone o esposizione eccessiva alle microonde:

- Leggere tutte le istruzioni prima di utilizzare l'apparecchio.
- Utilizzare l'apparecchio solo per l'uso previsto, come descritto in questo manuale. Non usare prodotti chimici o vapori corrosivi in questo apparecchio. Questo tipo di forno è specificamente progettato per riscaldare o cucinare cibo secco. Non è progettato per l'uso industriale o di laboratorio.
- Non far funzionare il forno a vuoto.
- Non utilizzare l'apparecchio se il cavo o la spina sono danneggiati, se non funziona correttamente o se è stato danneggiato o è caduto. Se il cavo di alimentazione è danneggiato, deve essere sostituito dal costruttore, da un suo rappresentante o da una persona qualificata al fine di evitare rischi.
- **ATTENZIONE:** Consentire ai bambini di utilizzare il forno senza la supervisione solo quando adeguate istruzioni sono state date in modo che il bambino sia in grado di utilizzare il forno in modo sicuro e sia in grado di capire i pericoli di un uso improprio.
- Per ridurre il rischio di incendio nel forno:
- Durante il riscaldamento di alimenti in contenitori di plastica o di carta, controllare il forno spesso per evitare che si incendino.

- Rimuovere i lacci di chiusura dalla carta o i sacchetti di plastica prima di mettere in forno.
- Se si nota del fumo, spegnere o staccare la spina e tenere la porta del forno chiusa per soffocare eventuali fiamme.
- Non usare il forno per lo stoccaggio. Non lasciare prodotti di carta, utensili da cucina o cibo nel forno quando non in uso.
- **ATTENZIONE:** liquido o altri alimenti non devono essere riscaldati in contenitori sigillati in quanto potrebbero esplodere.
- Il riscaldamento di bevande nel forno a microonde può causare l'ebollizione del liquido e la sua fuoriuscita, quindi, fare attenzione quando si prende il contenitore.
- Non friggere cibo nel forno. L'olio caldo può danneggiare le parti e gli utensili del forno e addirittura provocare ustioni della pelle.
- Le uova nel loro guscio e intere non vanno riscaldate nel forno a microonde in quanto potrebbero esplodere anche dopo che il riscaldamento a microonde è terminato.
- Alimenti con buccia come le patate, zucche intere, mele e castagne vanno pulite prima della cottura.
- Il contenuto di biberon e vasetti da bambino dovrebbe essere mescolato o agitato e la temperatura deve essere controllata prima di servire in modo da evitare scottature.
- Gli utensili da cucina possono surriscaldarsi a causa del calore trasferito dal cibo riscaldato. Le presine possono essere necessarie per manipolare l'utensile.
- Gli utensili dovrebbero essere controllati per assicurare che siano adatti per l'uso in microonde.
- **ATTENZIONE:** È pericoloso per chiunque non sia una persona addestrata procedere a qualsiasi operazione

di assistenza o riparazione che comporta la rimozione di qualsiasi copertura che offre una protezione contro l'esposizione alle microonde.

- Questo prodotto è un gruppo di 2 apparecchiature di classe B ISM. Sono definiti del gruppo 2, tutte le apparecchiature ISM (Industrial, Scientific and Medical) in cui l'energia di radio-frequenza è generata e / o utilizzata sotto forma di radiazione elettromagnetica per il trattamento di materiale e attrezzature elettroerosione. Le apparecchiature di Classe B sono adatte all'uso in ambienti domestici e in strutture direttamente collegate a una rete di alimentazione a bassa tensione che alimenta edifici utilizzati per uso domestico.
- I bambini devono essere sorvegliati per assicurarsi che non giochino con l'apparecchio.
- Il forno a microonde va utilizzato in libera installazione.
- **ATTENZIONE:** Non installare il forno su un piano di cottura o su un'altro apparecchio che produce calore. se installato potrebbe essere danneggiato e la garanzia decadrebbe.
- La superficie accessibile potrebbe essere molto calda durante il funzionamento.
- Il forno a microonde non deve essere collocato in un armadio.
- La porta o la superficie esterna possono diventare molto calde quando l'apparecchio è in funzione.
- La temperatura delle superfici accessibili può essere elevata quando l'apparecchio è in funzione.
- L'apparecchio deve essere posto contro una parete.
- I bambini devono essere sorvegliati per evitare che giochino con l'apparecchio.
- **ATTENZIONE:** Se le guarnizioni delle porte sono danneggiate, il forno non deve essere utilizzato fino a

quando non è stato riparato da una persona competente.

- Le istruzioni devono indicare che gli apparecchi non sono destinati ad essere azionati per mezzo di un timer esterno o un sistema di comando a distanza separato.
- Il forno a microonde è per uso domestico e non per uso commerciale.
- Non rimuovere il distanziale nella parte posteriore o ai lati, in quanto garantisce una distanza minima dalla parete per la circolazione dell'aria.
- Si prega di fissare il tavolo prima di spostare l'apparecchio per evitare danni.
- Attenzione: È pericoloso riparare o effettuare manutenzione sull'apparecchio se non si è un esperto perché in queste circostanze il coperchio deve essere rimosso ed esso assicura la protezione contro le radiazioni a microonde. Questo vale sia per il cambio del cavo di alimentazione che per l'illuminazione. In questi casi bisogna inviare l'apparecchio al nostro centro di assistenza.
- Il forno a microonde è destinato all'utilizzo per scongelamento, cottura e riscaldamento di solo cibo.
- Utilizzare guanti se si rimuove qualsiasi cibo riscaldato.
- Attenzione! Il vapore esce, quando si aprono i coperchi o c'è della stagnola.
- Questo apparecchio può essere utilizzato da bambini da 8 anni in su e le persone con capacità fisiche, sensoriali o mentali ridotte o senza esperienza e conoscenza solo se sono stati controllati o istruiti all'uso dell'apparecchio in modo sicuro e capiscono i pericoli. I bambini non devono giocare con l'apparecchio. La pulizia e la manutenzione utente non devono essere effettuate da parte dei bambini a meno che non siano di età superiore agli 8 anni e sotto

supervisione.

- Se il viene emesso fumo, spegnere o scollegare l'apparecchio e tenere la porta chiusa in modo da soffocare le fiamme.
- Il dispositivo non deve essere utilizzato se è stato lasciato cadere, sono visibili evidenti segni di danneggiamento o se presenta perdite.
- Conservare l'apparecchio e il cavo di alimentazione fuori dalla portata di bambini di età inferiore a 8 anni.
- Quando si utilizzano apparecchiature elettriche, è necessario adottare sempre misure di sicurezza per prevenire il rischio di incendi, scosse elettriche e/o lesioni in caso di uso improprio.
- Accertarsi che la tensione nominale sulla targhetta corrisponda alla tensione principale della vostra installazione. In caso contrario, contattare il rivenditore e non collegare l'unità.
- Non lasciare mai l'unità incustodita durante il funzionamento.
- Si prega di tenere questo documento a portata di mano e di consegnarlo al futuro proprietario in caso di trasferimento del dispositivo.

PRECAUZIONI PER EVITARE L'ESPOSIZIONE ECCESSIVA ALL' ENERGIA A MICROONDE

1. Non tentare di far funzionare il forno con la porta aperta in quanto il funzionamento a porta aperta può causare una pericolosa esposizione alle microonde. È importante non alterare o manomettere i blocchi di sicurezza.
2. Non posizionare alcun oggetto tra la parte frontale del forno e la porta e non consentire che residui di detergente si accumulino sulle superfici di tenuta.
3. Non mettere in funzione il forno se è danneggiato. È particolarmente importante che la porta del forno si chiuda bene e che non vi è alcun danno al
 - a. Porta (piegata),
 - b. Cerniere e chiusure (rotte o allentate),
 - c. guarnizioni della porta e superfici di tenuta.
4. Il forno deve essere regolato o riparato esclusivamente da personale di assistenza qualificato.

LEGGERE ATTENTAMENTE E RISPARMIARE PER UN USO FUTURO.

- Questo apparecchio è destinato all'uso in applicazioni domestiche e simili come :
 - aree di cucina per il personale in negozi, uffici e altri ambienti professionali ;
 - aziende agricole;
 - uso da parte degli ospiti in alberghi, motel e altri ambienti residenziali;
 - ambienti di tipo bed and breakfast".
- I contenitori metallici per alimenti e bevande non sono consentiti quando si cucina nel microonde.
- Il forno a microonde è destinato al riscaldamento di cibi e bevande. L'asciugatura di alimenti o biancheria e il riscaldamento di tamponi riscaldanti, pantofole, spugne, biancheria bagnata e articoli simili possono comportare il rischio di lesioni, accensione o incendio.
- L "apparecchio non deve essere pulito a vapore.

INSTALLAZIONE

1. Assicurarsi che tutti i materiali di imballaggio siano rimossi dall'interno della porta.
2. **ATTENZIONE:** Controllare il forno per eventuali danni, come la porta non allineata o piegata, guarnizioni delle porte danneggiate, superficie di tenuta, cerniere e chiavistelli e ammaccature all'interno della cavità o sulla porta rotta o allentata. Se vi è un danno, non utilizzare il forno e contattare il personale di assistenza qualificato.
3. Questo forno deve essere posizionato su una superficie piana e stabile per sostenere il peso e il cibo cotto in forno.
4. Non posizionare il forno in luoghi in cui si genera calore, umidità o elevata umidità, o vicino a materiali infiammabili.
5. Per un corretto funzionamento, il forno deve avere un flusso d'aria sufficiente. Lasciare 20cm spazio sopra il forno, 10cm indietro e 5 centimetri su entrambi i lati. Non coprire o bloccare le aperture sull'apparecchio. Non rimuovere i piedi.
6. Non far funzionare il forno senza vassoio di vetro, supporto del rullo, e l'albero nelle loro posizioni corrette.
7. Assicurarsi che il cavo di alimentazione non sia danneggiato e non sia poggiato sul forno o su una superficie calda o tagliente.
8. La presa deve essere facilmente accessibile in modo che sia possibile scollegarla facilmente in caso di emergenza.
9. Non utilizzare il forno all'aperto.

RADIO INTERFERENZE

Il funzionamento del forno a microonde può causare interferenze con la radio, TV, o apparecchiature simili.

Quando ci sono interferenze, queste possono essere ridotte o eliminate adottando le seguenti misure:

1. Pulire porta e la superficie di tenuta del forno.
2. Riorientare l'antenna di ricezione di radio o televisione.
3. Spostare il forno a microonde rispetto al ricevitore.
4. Spostare il forno a microonde dal ricevitore.

Collegare il forno a microonde in una presa diversa in modo che il forno a microonde e ricevitore si trovino su circuiti diversi.

PRINCIPI di cottura a microonde

1. Disporre con attenzione il cibo. Posizionare le aree più spesse verso l'esterno del piatto.
2. Guardare il tempo di cottura. Cuocere per il più breve lasso di tempo indicato e aggiungere se necessario. Il cibo troppo cotto può fumare o prendere fuoco.
3. Coprire i cibi durante la cottura. Si evitano così spruzzi ed è possibile cucinare in modo uniforme.
4. Girare gli alimenti una volta durante la cottura a microonde per accelerare la cottura di alimenti come il pollo e gli hamburger. Oggetti di grandi dimensioni come gli arrostiti devono essere girati almeno una volta.
5. Ridisporre alimenti come polpette a metà cottura sia dall'alto verso il basso che dal centro del piatto verso l'esterno.
- 6.

ISTRUZIONI PER MESSA A TERRA

Questo apparecchio deve essere collegato a terra. Questo forno è dotato di un cavo con un filo di terra con una spina di terra. Deve essere inserito in una presa a muro che sia correttamente installata e messa a terra. Nel caso di un corto circuito elettrico, la messa a terra riduce il rischio di scosse elettriche, fornendo un filo di fuga per la corrente elettrica. Si raccomanda un circuito separato per il forno. Utilizzare una tensione elevata è pericoloso e può provocare un incendio o altro incidente causando danni al forno.

AVVERTIMENTO L'uso improprio della spina di messa a terra può comportare il rischio di scossa elettrica.

Nota:

1. Se avete domande circa la messa a terra o sulle istruzioni elettriche, consultare un elettricista o un servizio personale qualificato.
2. Né il produttore né il rivenditore può accettare qualsiasi responsabilità per danni al forno o personali derivanti dalla mancata osservanza delle procedure di collegamento elettrico.

I fili in questo cavo principale sono colorati secondo il codice seguente:

Verde e giallo = TERRA

Blu = NEUTRO

Marrone = DIRETTA

PRIMA DI CHIAMARE PER ASSISTENZA

Se il forno non funziona:

1. Verificare che il forno è collegato saldamente. Se non lo è, staccare la spina dalla presa di corrente, attendere 10 secondi e ricollegarlo saldamente.
2. Verificare la presenza di un fusibile bruciato del circuito bruciato o un interruttore principale scattato. Se questi sembrano funzionare correttamente, verificare la presa con un altro apparecchio.
3. Verificare che il pannello di controllo sia programmata correttamente e che il timer sia impostato.
4. Verificare che la porta sia ben chiusa utilizzando il sistema di blocco di sicurezza della porta. Altrimenti, l'energia a microonde non scorrerà nel forno.
5. Se nessuno dei SOPRA risolve la situazione, bisogna contattare un tecnico qualificato. NON tentare di regolare o riparare il forno personalmente.
- 6.

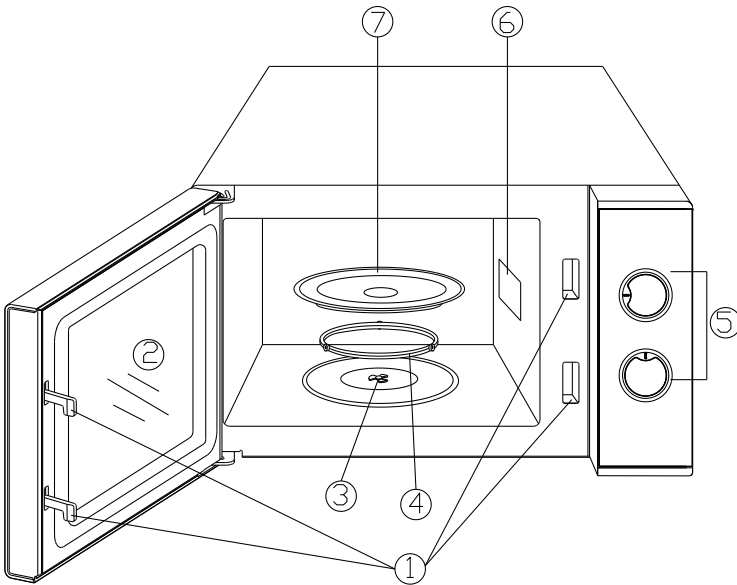
UTENSILI GUIDA

1. Il materiale ideale per il microonde è la plastica trasparente per microonde, che permette all'energia di passare attraverso il contenitore e riscaldare il cibo.
2. Il forno a microonde non può penetrare il metallo, quindi utensili in metallo o piatti con finiture in metallo non devono essere usati.
3. Non utilizzare prodotti di carta riciclata nella cottura a microonde, in quanto potrebbero contenere frammenti di metallo di piccole dimensioni che possono causare scintille e / o incendi.
4. è raccomandabile l'utilizzo di piatti ovali, piuttosto che quelli quadrati / oblungi, in quanto il cibo negli angoli tende a cuocere troppo.
5. Strette strisce di alluminio possono essere usate per impedire la cottura eccessiva delle aree esposte. Ma attenzione a non utilizzare troppo e mantenere una distanza di 1 pollice (2,54 centimetri) tra la pellicola e le pareti del forno.

L'elenco che segue è una guida generale per aiutarvi a selezionare gli utensili corretti.

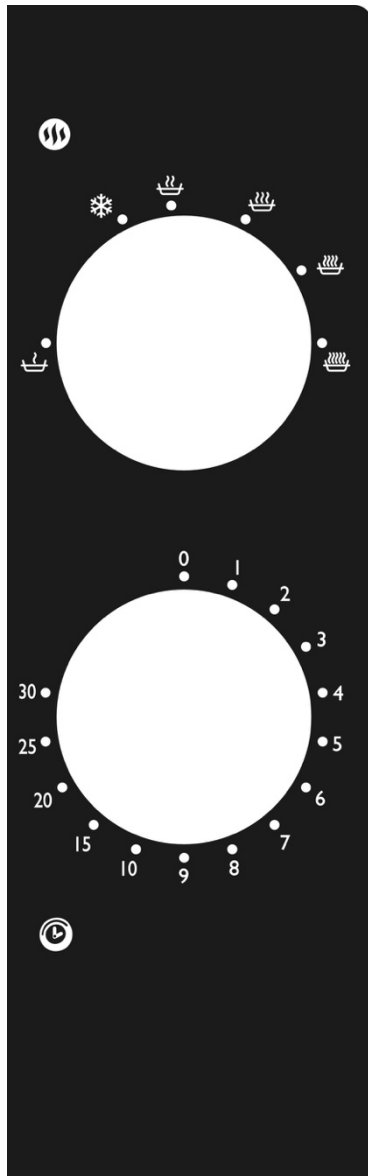
PENTOLE	MICROONDE
Vetro resistente al calore	sì
Vetro non resistente al calore	No
Ceramica resistente al calore	sì
Piatto microonde plastica	sì
Carta da cucina	sì
Vassoio di metallo	No
Rack metallo	No
Di alluminio & Foil Container	No

NOMI



1. Bloccaggio di sicurezza della porta
2. Finestra Forno
3. Albero
4. Anello Roller
5. Pannello di controllo
6. Guida d'onda
7. Vassoio di vetro

PANNELLO DI CONTROLLO



Il pannello di controllo è costituito da due manopole. Una è la manopola del timer, e l'altra è la manopola della potenza.

POTENZA / AZIONE SELETORE

È possibile utilizzare questa manopola per scegliere un livello di potenza di cottura. È il primo passo per iniziare una sessione di cottura.

TIMER MANOPOLA

Offre impostazioni di temporizzazione visive a per selezionare un tempo di cottura desiderato fino a 30 minuti per sessione di cottura.

LA COTTURA A MICROONDE

Per la cottura a microonde puro, ci sono sei livelli di potenza tra cui scegliere come soluzione migliore per fare il lavoro in maniera veloce.

Il livello di potenza aumenta con la manopola in senso orario. I livelli di potenza possono essere classificati come di seguito:

Potenza di uscita	Descrizione
100%	ALTO
88%	MED ALTO
73%	MED
52%	MED BASSO
42%	SCONGELARE
20%	BASSO

OPERAZIONE

Per avviare una sessione di cottura,

1. Mettete il cibo in forno e chiudere lo sportello.
2. Accendere e selezionare un livello di potenza.
3. Utilizzare la manopola del timer per impostare un tempo di cottura

NOTA:

Non appena il timer si attiva, il forno inizia la cottura.

Quando si seleziona il tempo per meno di 2 minuti, girare il timer sugli ultimi 2 minuti e poi tornare al tempo corretto.

ATTENZIONE: Ricordarsi di riposizionare il TIMER di nuovo a in POSIZIONE zero se il cibo viene rimosso dal forno prima che il tempo di cottura è completato o quando il forno non è in uso. Per arrestare il forno durante il processo di cottura, premere il pulsante apriporta o aprire la porta dalla maniglia.

PULIZIA E CURA

- 1. Spegnerne il forno ed estrarre la spina dalla presa di corrente prima di pulirlo.**
2. Mantenere l'interno del forno pulito. Quando schizzi di cibo o liquidi versati aderiscono alle pareti del forno, pulire con un panno umido. Un detergente delicato può essere utilizzato se il forno è sporco. Evitare l'uso di spray e altri detergenti aggressivi in quanto potrebbero macchiare, strisciare o opacizzare la superficie della porta.
3. Le superfici esterne devono essere pulite con un panno umido. Per evitare danni alle parti che operano all'interno del forno, l'acqua non dovrebbe essere fatta penetrare nelle aperture di ventilazione.
4. Pulire la porta e la finestra su entrambi i lati, le guarnizioni della porta e le parti adiacenti frequentemente con un panno umido per rimuovere eventuali fuoriuscite o schizzi. Non utilizzare detergenti abrasivi.
5. Non lasciare che il pannello di controllo si bagni. Pulire con un panno morbido e umido. Durante la pulizia del pannello di controllo, lasciare la porta del forno aperta per evitare l'accensione accidentale.
6. Se il vapore si accumula all'interno o intorno alla parte esterna della porta del forno, pulire con un panno morbido. Questo si può verificare quando il forno è in funzione in condizioni di elevata umidità. Ed è normale.
7. Occasionalmente è necessario rimuovere il vassoio di

- vetro per la pulizia. Lavare il vassoio in acqua saponata calda o in lavastoviglie.
8. L'anello rotante e la base forno devono essere puliti regolarmente per evitare un rumore eccessivo. Basta pulire la superficie di fondo del forno con detergente delicato. L'anello rotante può essere lavato in acqua saponata o lavastoviglie. Quando si rimuove l'anello del rullo dalla base per la pulizia, accertarsi di riposizionarlo nella posizione corretta.
 9. Rimuovere gli odori dal vostro forno tramite l'utilizzo di una tazza di acqua con il succo e la buccia di un limone in una ciotola per microonde profonda, in forno a microonde per 5 minuti. Pulire accuratamente e asciugare con un panno morbido.
 10. Quando diventa necessario sostituire la luce del forno, si prega di rivolgersi a un rivenditore per la sostituzione.
 11. Il forno deve essere pulito regolarmente e eventuali resti di cibo. L'incapacità di mantenere il forno pulito può provocare deterioramenti della superficie che possono influenzare negativamente la durata dell'apparecchio e causare pericoli.
 12. Si prega di non gettare questo apparecchio nella spazzatura domestica; esso deve essere smaltito in un centro di smaltimento fornito dai comuni.

AMBIANTE



ATTENZIONE :

Non gettare quest' apparecchio tra i rifiuti domestici. Per questo tipo di prodotti è fornito dai comuni un sistema di raccolta e ritiro in zona ed è quindi un dovere informarsi per conoscere il giusto smistamento del rifiuto. Infatti, i prodotti elettrici ed elettronici possono contenere sostanze pericolose che hanno effetti dannosi sull'ambiente o sulla nostra salute e quindi devono essere riciclati. Il simbolo al lato indica che le apparecchiature elettriche ed elettroniche fanno parte di una raccolta selettiva e differenziata (rappresentata da un bidone su due ruote sbarrato da una croce).