

wëasy

Instructions manual

Manuel d'utilisation

Benutzerhandbuch

Gebruiksaanwijzing

Manual de usuario

Manuale d'uso



WH500

Hand vacuum cleaner

Aspirateur à main

Handstaubsauger

Hand stofzuiger

Aspiradora manual

Aspurapolvere manuale

ENGLISH

Dear customer,

We are delighted that you have decided on this battery-operated handheld vacuum cleaner.

Before using the device for the first time, please carefully read the instructions and store them for future reference.

These instructions are to accompany the device when passed on to others.

The manufacturer and importer assume no liability in the event the data in these instructions have not been observed!

Please note: The illustrations in these instructions may vary slightly from the real device.

Proper use

- This device is intended for vacuum cleaning dry surfaces.
- Do not in any case vacuum up the following:
 - Smouldering ashes, cigarette butts, matches etc.,
 - Flammable or ignitable materials,
 - Very fine dust (e.g. cement dust), ash or toner,
 - Pointy, hard objects such as larger glass shards,
 - Liquids or wet dirt.
- The device is intended for domestic, not commercial use.
- Only use the device as described in this instruction manual. Any other use is deemed improper.
- Defects arising due to improper handling, damage or attempts at repair are excluded from the warranty. This also applies to normal wear and tear.

I. Safety notes

■ This device may be used by children aged 8 and over and by people with reduced physical, sensory or mental abilities or a lack of experience and/or knowledge if they are supervised or have received instruction on how to use the device safely and have understood the dangers resulting from this.

■ Children may not play with the device.

■ Cleaning and user maintenance may not be carried out by children.

- Children younger than 8 years of age and animals must be kept away from the device and the connecting cable!
- Children must be supervised to guarantee that they do not play with and/or injure themselves on the device.
- Only use and store the device out of the reach of children and animals. Improper use may result in injury and electrical shock. The mains cable must also be kept out of the reach of children and animals.
- The device must always be disconnected from the mains power when it is left unattended and before assembling, disassembling or cleaning the device.
- Only charge the rechargeable battery with the enclosed mains adapter and the charging station. Do not charge any devices other than the handheld vacuum cleaner with the enclosed mains adapter and the charging station.
- Never immerse the device, mains cable or plug in water or other liquids and ensure that they cannot fall into water or become wet.
- If the device, the connecting cable or the plug of the device is damaged, it must be replaced by the manufacturer or customer service department or a similarly qualified person (e.g. specialist workshop) in order to avoid any hazards.

Risks of injury

- Keep children and animals away from the device and packaging material. There is a danger of injury and suffocation!
- Do not use the device if it is damaged.
- During use, keep the nozzles away from body parts and pets. They could be caught in the vacuum cleaner. If the

vacuum cleaner attaches itself when vacuuming, turn it off immediately with the On/Off switch.

Risk of electric shock and fire

■ Only connect the mains adapter to a properly installed socket with protective earth contacts.

The socket must also be easily accessible after connecting so that the mains connection can be quickly disconnected. The mains voltage must correspond to the technical data of the device. Only use proper extension cords, whose technical data correspond to those of the device or mains adapter.

■ If the device falls in water, immediately disconnect the power supply. Do not attempt to pull the device out of the water when it is connected to the mains supply!

■ Never touch the device, the mains cord and the mains adapter with wet hands when these components are connected to the mains supply.

■ Turn the device off and pull the mains adapter out of the socket

■ if you stop working with it,

■ before a storm,

■ if an error or fault occurs during operation,

■ if foreign objects penetrate the device.

■ Do not use the device if it is still connected to the mains adapter or to the power source.

■ Always pull on the mains adapter and never on the mains cord.

■ Only use the device in enclosed areas.

■ Do not use the device in rooms containing easily flammable dust or toxic and explosive vapours.

- Do not operate the device in very moist environment or in the vicinity of flammable material.

- For your own safety, always check the device for damages prior to using it. Only use the device if the device, the rechargeable battery, mains cord and the plug do not exhibit any damages!

Danger from Rechargeable Batteries

- Rechargeable batteries can be deadly if swallowed. Seek medical attention immediately if a battery has been swallowed.

- Before inserting the battery pack, check whether the contacts are clean and clean them if necessary.

- Use only the battery type specified in the technical data.

- If the battery has leaked, do not allow your skin, eyes and mucous membranes to come into contact with the battery acid. If you touch battery acid, rinse the affected sites with abundant fresh water immediately and contact a doctor as soon as possible.

- Remove a leaking battery from the device immediately. Clean the contacts before inserting a new battery.

- The battery must not be taken apart, thrown into a fire, immersed in liquids or short circuited.

Avoiding damage to materials, property and the device

- Always place the device on a dry, level, firm and heat resistant surface.

- Lay the cable of the mains adapter so that it does not pose a tripping hazard.

- Make sure that the mains cord does not get pinched, kinked or laid over sharp edges and does not come into contact with hot surfaces.
- Maintain adequate distance to heat sources such as stoves or ovens to prevent damage to the device. Do not place any open flames, e.g. burning candles, in the direct vicinity of the device, cord, rechargeable battery and mains adapter.
- Do not allow the device to fall and do not subject it to strong percussions.
- Do not pull or carry the device by the cord of the mains adapter.
- Do not subject the device to extreme temperatures, severe changes in temperature, moisture, wetness or direct sunlight.
- Do not use any corrosive or abrasive cleaning agents to clean the device. They could damage the surface.
- Only use the device if it has been completely and correctly assembled! The dust bin and filter must be in place. The filters may not be damaged!
- Do not insert anything in the openings / nozzles of the device and make sure that they are not plugged.
- Empty the dust bin after every use. The filters must also be cleaned regularly to prevent the motor from being overloaded.
- Only use the accessories recommended by the manufacturer.

II. Product contents and device overview



- 1 Charge control light
- 2 On/Off switch
- 3 Motor assembly/main unit
- 4 Rechargeable battery (Removable)
- 5 Dust bin lid
- 6 Dust filter (located inside of the dust bin)
- 7 Dust bin
- 8 Suction opening
- 9 Floor nozzle
- 10 Brush nozzle
- 11 Tile nozzle
- 12 Nozzle adapter (is always attached to the suction opening first thing)
- 13 Mains adapter
- Not shown
 - HEPA filter (in the dust filter)
 - charging station
- 14 Electric tube

Accessories :

Floor nozzle



The floor nozzle is suitable for both carpets and smooth floors.

Tile nozzle



Use the tile nozzle to vacuum up dirt and dust. It is suitable for cushions, cleaning the inside of cars and is perfect for hard-to-reach areas like corners, niches or gaps.

Brush nozzle



Use the brush nozzle for all objects, furniture, lamps, window sills, profile strips and skirting boards with uneven surfaces as well as delicate objects like picture frames, lamp shades, keyboards, books etc.

III. Using the product

Keep children and animals away from the packaging material. Danger of suffocation exists!

1. Unpack all parts, remove the foils and transport guards and make sure that the product contents are complete (see chapter “Product contents and device overview”) and check for any damages from transport. If you identify damages to the components, do not use them (!), instead contact our customer service centre.
2. Charge the rechargeable battery (see chapter “Charging the rechargeable battery”).

Charging the rechargeable battery

■ Pull the mains adapter out of the socket if you do not use it for a prolonged period.

■ **Completely charge the rechargeable battery before first use for maximum charge. Charging takes approx. 4 to 5 hours.**

■ **If the rechargeable battery is completely depleted after use, it will take approx. 4 to 5 hours to recharge the rechargeable battery.**

1. Remove the rechargeable battery from the device: Push the latch on the rechargeable battery (see photo) and remove it.
2. Insert the rechargeable battery into the charging station.
3. First connect the barrel connector of the mains adapter to the connector jack on the charging station and then to a properly installed, easily accessible socket.
4. The green and the red control light on the charging station will be illuminated. The rechargeable battery will be charged.
5. Let the rechargeable battery of the device charge for approx. 4 to 5 hours in order to reach the maximum charge.
If only the green control light is still illuminated, the rechargeable battery has been fully charged.
6. First disconnect the mains adapter from the mains supply and then the barrel connector from the charging station.
7. Remove the rechargeable battery from the charging station and insert it in the device again.

Operation

■ During use, never hold the nozzles near body parts and do not reach into them. The device could attach itself to them and you could be injured. If the vacuum cleaner attaches itself to the floor, turn it off immediately.

■ Keep the nozzles away from animals during use. Do not attempt to vacuum off animals with the device. The device could attach itself to them and you could be injured. If the vacuum cleaner attaches itself to the floor, turn it off immediately.

- Make sure that there are no large, pointy objects on the area to be cleaned.
- Do not in any case vacuum up the following:
 - smouldering ashes, cigarette butts, matches etc.,
 - flammable or ignitable materials,
 - very fine dust (e.g. cement dust), ash or toner,
 - pointy, hard objects such as larger glass shards,
 - liquids and wet dirt.
- Empty and clean the dust bin after every use (see chapter “Cleaning and storage”).
- Do not use the device when it is connected to the mains adapter.

1. Stick the nozzle adapter on the suction opening.
2. If desired, attach the extension tube to the nozzle adapter.
3. Attach the desired nozzle to the extension tube.
The nozzles can also be attached to the nozzle adapter directly without attaching the extension tube between them.
4. Switch the device on. This can be done in one of two ways:
 - By gently holding the On / Off switch down. The device will switch off when you let it go.
 - By firmly pushing the On / Off switch once and then releasing it. If you would like to switch the device back off, push the On / Off switch again
5. The device will immediately start to vacuum clean.
6. Run the device over the area to be cleaned.
7. Turn the device off.
8. If you would like to remove the nozzles, simply pull them off the nozzle adapter or off of the extension tubes.

IV. Cleaning and storage

- Ensure that the device has been deactivated before you clean it!
- Never immerse the device, the mains adapter, the rechargeable battery or the cable in water or other liquids.
- The device may not be connected with the mains adapter when cleaning the dust bin.
- Never use soap or other cleaners to clean the dust and HEPA filter. Otherwise this would damage the filters.
- The filters are not suitable for the washing machine, dishwasher or dryer! Only air

dry the filters and do not in any case use a hair dryer.

■ Only put the device back together once all parts are completely dry!

■ Do not use any corrosive or abrasive cleaners to clean the housing. They could damage the surface. If needed, clean the housing with a damp, soft cloth.

Emptying the dust bin and cleaning the filters

1. Take the dust bin off of the device by turning it approx. one quarter revolution counterclockwise and pulling it out.

2. Push the release button on the dust bin and empty the dust bin over a waste bin.

3. Pull the filters out of the dust bin: Turn the dust filter approx. one quarter turn counterclockwise and remove both filters. Tap out the filters over a waste bin.

4. If necessary, clean the dust bin and the filters with clean, lukewarm water.

5. Allow all parts to dry completely before assembling them.

ATTENTION: Do not in any case insert the filters if they are still moist. Reverse the steps to assemble them.

Make sure that the catches on the dust bin are inserted into the corresponding recesses on the main unit.

Otherwise, the dust bin will not correctly lock into the device.

6. Store the device and accessories in a dry area out of the sun that is not accessible to children and animals.

If you do not want to use the device for a prolonged period, remove the rechargeable battery to stay on the safe side (see section “Removing the rechargeable battery”).

V. Troubleshooting

If the device is not working properly, please check whether you are able to rectify the problem yourself first.

Do not attempt to repair a defective device yourself!

PROBLEM	POSSIBLE REASON	POSSIBLE SOLUTION
Hand vacuum do not operate	<ol style="list-style-type: none">1. Battery is discharged2. Battery is dead (battery won't hold charge)3. Contacts between the unit and the charging stand are dirty4. No power in electrical outlet supplying transformer5. Charger is plugged in	<ol style="list-style-type: none">1. Charge unit2. Dispose of unit3. Wipe and clean dirt from contacts4. Check fuse or breaker, replace fuse/reset breaker5. Unplug charger
Motorized brush do not work	<ol style="list-style-type: none">1. The agitator is blocked with debris or string2. The belt is broken3. Power unit/hand vacuum cleaner is not seated correctly.	<ol style="list-style-type: none">1. Remove debris from agitator. If there is string or thread wrapped out gently with scissors2. Call customer service3. Seat the power unit/hand vacuum cleaner correctly.
Hand vacuum do not pick up or suction power is weak	<ol style="list-style-type: none">1. Dust cup container is full2. Dust cup filter needs cleaning or replacement3. Units needs recharging	<ol style="list-style-type: none">1. Empty dust cup container2. Remove dust cup filter and check for object in air dust and remove it. Clean or replace dust cup filter3. Charge unit
Dust escaping from hand vacuum	<ol style="list-style-type: none">1. Dust cup container is full2. Dust cup filter is not installed correctly3. Puncture/hole in dust cup filter	<ol style="list-style-type: none">1. Empty dust cup container2. Review dust cup filter installation instructions.3. Replace dust cup filter
Battery do not hold charge	<ol style="list-style-type: none">1. Battery has reached the end of its service life.	Call customer service

Removing the rechargeable battery

■ Do not open the rechargeable battery; there is a risk of a short circuit; irritating vapours or corrosive liquids may also be emitted.

■ Do not expose the rechargeable battery to intense sunlight, heat or fire; there is a risk of explosion.

This device has a rechargeable battery; it must be removed before disposing of the old device.

1. The rechargeable battery is located on the bottom of the main unit.
2. Push the latch on the rechargeable battery (see photo) and remove it.
3. Dispose of the rechargeable battery in an environmentally- friendly manner (collection points or vendors).

Dispose of the article in an environmentally friendly manner. It should not be disposed of in the normal household waste. Please dispose of it at a recycling centre for used electrical and electronic devices. You can obtain more information from your local authorities.

Rechargeable batteries and batteries must be removed and disposed of separately before disposing of the device. To protect the environment, batteries and rechargeable batteries may not be disposed of together with normal household waste. Instead, they must be turned in at appropriate collection points. Please also observe applicable statutory provisions regulating the disposal of batteries.

ENVIRONMENT

CAUTION:



Do not dispose of this product as it has with other household products. There is a separation of this waste product into communities, you will need to inform your local authorities about the places where you can return this product. In fact, electrical and electronic products contain hazardous substances that have harmful effects on the environment or human health and should be recycled. The symbol here indicates that electrical and electronic equipment should be chosen carefully, a wheeled waste container is marked with a cross.

Adeva SAS / H.Koenig Europe - 8 rue Marc Seguin - 77290 Mitry Mory - France

www.hkoenig.com - sav@hkoenig.com - contact@hkoenig.com - Tél: +33 1 64 67 00 01

FRANÇAIS

Cher client,

Nous sommes ravis que vous ayez décidé d'acheter cet aspirateur à main qui fonctionne avec des piles.

Avant d'utiliser cet appareil, veuillez lire attentivement les instructions et rangez celles-ci soigneusement, afin de pouvoir les retrouver plus tard.

Si vous donnez l'appareil à quelqu'un d'autre, vous devez également y joindre les instructions.

Le fabricant et l'importateur n'acceptent aucune responsabilité si les instructions ne sont pas respectées !

Attention : Les illustrations qui font partie de ces instructions diffèrent parfois de l'appareil.

Utilisation correcte :

- Cet appareil doit être utilisé pour nettoyer les surfaces sèches.
 - Vous ne devez jamais aspirer les substances et objets suivants:
 - Des cendres brûlantes, des mégots de cigarettes, des allumettes, etc.
 - Des matériaux inflammables,
 - De la poussière très fine (ex. la poussière de ciment) ou des cendres,
 - Des objets pointus et durs (tels que de grands débris de verre).
 - Des liquides ou de la poussière mouillée
 - Videz et nettoyez le bac à poussière après chaque utilisation.
- Cet appareil doit seulement être utilisé à domicile, et non à des fins commerciales
- vous devez respecter les instructions lorsque vous vous servez de cet appareil ; si ce n'est pas le cas, l'utilisation sera incorrecte.
- La garantie n'est pas valable si l'appareil est mal utilisé, s'il est endommagé ou si l'utilisateur essaie de le réparer lui-même, et ceci s'applique également à l'usure.

I. Conseils de sécurité:

■ Cet appareil peut être utilisé par les enfants âgés de 8 ans ou plus, s'ils sont surveillés par des adultes ou si on leur a expliqué comment utiliser cet appareil correctement ; en effet, ils doivent comprendre tous les dangers que cette opération représente.

■ Les enfants ne doivent pas jouer avec cet appareil.

■ Les enfants ne doivent pas nettoyer l'appareil, ou entretenir celui-ci.

■ Les enfants âgés de moins de 8 ans et les animaux ne doivent pas s'approcher de l'appareil ou du câble de raccordement.

■ Il faut toujours surveiller les enfants, afin que ces derniers ne jouent pas avec l'appareil ou que ce dernier ne les blesse pas.

■ L'appareil doit être rangé dans un endroit qui soit inaccessible aux enfants et aux animaux. Si l'appareil est mal utilisé, vous risquez de vous blesser ou de subir un choc électrique. Le câble d'alimentation doit également être hors de portée des enfants et des animaux.

■ L'appareil doit toujours être déconnecté avant l'assemblage, le désassemblage ou le nettoyage.

■ La pile doit seulement être rechargée à l'est de l'adaptateur et de la station de chargement qui sont fournies. Il ne faut pas utiliser ces dernières pour charger d'autres appareils.

■ Il ne faut jamais plonger l'appareil, le câble principal ou la prise dans l'eau ou dans tout autre liquide, et ils ne doivent pas non être mouillés.

■ Si l'appareil, le câble de raccordement ou la prise sont endommagés, ils doivent être remplacés par le fabricant, le service à la clientèle ou une personne qualifiée (un atelier spécialisé, par exemple), afin d'éviter les accidents.

Risques de blessures

■ Les enfants et les animaux ne doivent pas s'approcher de l'appareil ou de son emballage, afin d'éviter qu'ils se blessent ou qu'ils s'étouffent !

■ N'utilisez pas l'appareil s'il est endommagé.

■ Pendant l'utilisation, éloignez les embouts des parties de votre corps ou de vos animaux, afin d'éviter les blessures. Si l'aspirateur s'attache durant l'utilisation, éteignez-le immédiatement en appuyant sur le bouton Marche/ Arrêt.

Risques de chocs électriques et d'incendie

■ L'adaptateur principal doit seulement être connecté à une prise de mise à la terre qui est correctement installée.

■ La prise doit être facilement accessible, afin de pouvoir connecter et déconnecter l'appareil facilement. La tension secteur doit correspondre aux données techniques de l'appareil. Il faut seulement utiliser des rallonges électriques qui sont compatibles à l'adaptateur principal

■ Si l'appareil tombe dans l'eau, il doit immédiatement être débranché. N'essayez pas de le sortir de l'eau pendant qu'il est encore branché !

■ Si vous avez les mains mouillées, il ne faut jamais toucher l'appareil, l'adaptateur ou le cordon d'alimentation principal si ceux-ci sont branchés.

■ Eteignez l'appareil et débranchez-le dans les cas suivants:

■ Si vous ne l'utilisez plus,

■ Avant un orage,

■ Si une erreur se produit pendant l'opération,

■ Si des objets étrangers pénétrant l'appareil.

■ N'utilisez pas l'appareil s'il est encore branché à l'adaptateur principal.

■ Vous pouvez tirer sur l'adaptateur principal, mais pas sur le cordon d'alimentation principal.

- L'appareil doit seulement être utilisé dans les lieux fermés.
- N'utilisez pas l'appareil dans les pièces où l'on peut trouver de la poussière inflammable ou des vapeurs explosives.
- N'utilisez pas l'appareil dans des endroits très humides ou à proximité de matériels inflammables.
- Afin d'assurer votre propre sécurité, vous devez toujours vérifier l'état de l'appareil avant chaque utilisation. Il faut seulement utiliser l'appareil s'il est en bon état, de même que le cordon d'alimentation et la prise !

Les dangers des piles rechargeables

- Une personne peut mourir si elle avale une pile rechargeable. Si une pile a été avalée, veuillez contacter immédiatement un docteur.
- Avant d'insérer la pile, assurez-vous que les contacts soient bien nettoyés.
- Utilisez uniquement les piles qui sont citées dans les données techniques.
- Si du liquide s'est échappé de la pile, n'approchez pas cette dernière de votre peau, de vos yeux ou de vos membranes muqueuses. Si vous touchez de l'acide de batterie, nettoyez la surface affectée avec de l'eau fraîche et consultez immédiatement un docteur.
- Si du liquide s'échappe de la pile, enlever cette dernière immédiatement. Nettoyez soigneusement les contacts avant d'insérer une nouvelle pile.
- La pile ne doit pas être désassemblée, jetée au feu, plongée dans un liquide quelconque court-circuitée.

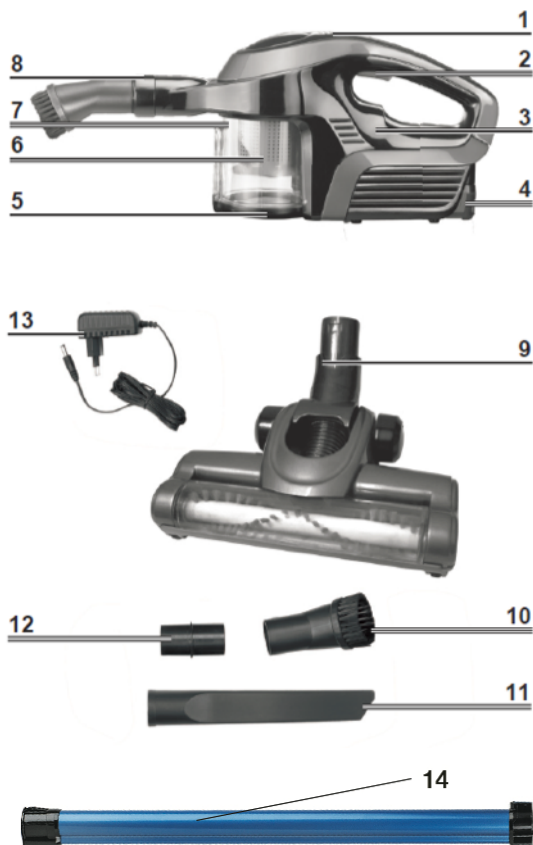
Evitez d'endommager l'appareil, les surfaces et les possessions

- L'appareil doit toujours être placé sur une surface égale, sèche et résistante à la chaleur.
- Placez le câble de connexion et l'adaptateur de telle façon à ce que les gens ne trébuchent par-dessus.
- Le cordon d'alimentation ne doit pas être entortillé, ni être en contact avec des surfaces chaudes ou des coins pointus.
- L'aspirateur doit être éloigné des sources de chaleur, telles que les fours ou les cuisinières, afin d'éviter les dégâts. Ne placez pas des bougies près de l'appareil, de l'adaptateur ou du cordon d'alimentation.
- Prenez garde à ne pas faire tomber l'appareil ou à le percuter trop fort.
- Ne transportez pas l'appareil à l'aide du cordon d'alimentation ou de l'adaptateur principal.
- N'exposez pas votre aspirateur à des températures extrêmes, à l'humidité ou aux rayons de soleil.
- Cet appareil ne doit pas être nettoyé à l'aide de détergents corrosifs ou abrasifs, car ceci peut endommager la surface de l'aspirateur.
- L'appareil doit être assemblé correctement avant chaque utilisation. Le bac à poussière et le filtre doivent être correctement installés, et les filtres ne doivent pas être endommagés !
- Vous ne devez rien insérer dans les ouvertures ou les embouts de l'appareil, et ces derniers ne doivent pas être bouchés.

■ Videz le bac à poussière après chaque utilisation. Les filtres doivent également être nettoyés régulièrement, afin de ne pas surcharger le moteur.

■ Vous devez uniquement utiliser les accessoires qui sont recommandés par le fabricant.

II. Composantes de l'aspirateur et son analyse



- 1 Lumière du contrôle de chargement
 - 2 Bouton Marche/Arrêt
 - 3 Assemblages du moteur/partie principale
 - 4 Pile rechargeable (amovible)
 - 5 Couvercle du bac à poussière
 - 6 Filtre à poussière (il se trouve à l'intérieur du bac à poussière)
 - 7 Bac à poussière
 - 8 Ouvertures d'aspiration
 - 9 Buse à sol
 - 10 Buse à brosse
 - 11 Buse à carreaux
 - 12 Adaptateur des embouts (celui-ci doit toujours être fixé à l'ouverture d'aspiration)
 - 13 Adaptateur principal
- Ne fait pas partie de l'image
- Filtre HEPA (dans le filtre à poussière)
 - Station de chargement
- 14 Tube électrique

Accessoires :

Buse à sol



La buse à sol peut être utilisée sur les moquettes et les planchers lisses.

Buse à carreaux



Utilisez la buse à carreaux pour aspirer la poussière. Cette buse peut également être utilisée pour nettoyer les coussins, l'intérieur des voitures et les coins.

Buse à brosse



Utilisez la buse à brosse pour nettoyer les objets, les lampes, les rebords de fenêtres ainsi que les bordures inégales. Vous pouvez également l'utiliser pour nettoyer les objets plus fragiles comme les cadres, les abat-jour, les claviers, les livres, etc.

III. L'utilisation de l'appareil

Les enfants et les animaux ne doivent pas s'approcher de l'appareil ou de son emballage, afin d'éviter qu'ils s'étouffent !

1. Déballer toutes les pièces, enlever tous les emballages et les protections durant le transport, et assurez-vous que toutes les pièces de l'appareil sont bien là (voir le chapitre intitulé "Composantes de l'aspirateur et son analyse"), et vérifiez s'il apparaît a été endommagé par le transport. Si vous détectez un problème quelconque, n'utilisez pas l'appareil et contactez plutôt le service à la clientèle.
2. Chargez la pile rechargeable (consultez le chapitre intitulé : " Le chargement de la pile rechargeable ").

Le chargement de la pile rechargeable

■ Si vous n'utilisez pas l'appareil pendant une longue période, vous devez le débrancher.

■ **La pile doit être complètement rechargée avant la première utilisation et ceci prend approximativement 4 à 5 heures.**

■ **Si la pile est complètement faible après l'utilisation de l'appareil, il vous faudra environ 4 à 5 heures pour la recharger**

1. Enlevez la pile de l'appareil : Appuyez sur le loquet de la pile rechargeable pour l'enlever (voir la photo).
2. Insérez la pile rechargeable dans la station de recharge.
3. D'abord, connectez l'adaptateur cylindrique de l'adaptateur principal à la prise de connexion de la station de chargement, puis connectez le tout à une prise accessible.
4. La lumière verte et la lumière rouge de la station de chargement s'illumineront, et la pile sera ensuite chargée
5. La pile doit être rechargée pendant approximativement 4 à 5 heures, afin qu'elle soit chargée au maximum.
Si la lumière verte est allumée, cela signifie que la pile est complètement chargée.
6. D'abord, déconnecter l'adaptateur principal de l'alimentation secteur, puis déconnecter l'adaptateur cylindrique de la station de chargement.
7. Enlevez la pile rechargeable de la station de chargement, et replacez-la dans l'appareil.

Opération

■ Pendant l'utilisation, il ne faut jamais approcher les embouts de votre corps, ni y mettre la main, car vous risquez de vous blesser. Si l'aspirateur s'attache au plancher, veuillez le débrancher immédiatement.

■ Pendant que vous utilisez l'appareil, les animaux ne doivent pas approcher des embouts, car ils risquent de se blesser. Il ne faut pas non plus utiliser l'aspirateur sur les animaux, car ils peuvent se blesser. Si l'aspirateur s'attache au plancher, veuillez le débrancher immédiatement.

■ Il ne faut pas nettoyer une surface si des objets pointus s'y trouvent.

- Vous ne devez jamais aspirer les substances et objets suivants:
 - Des cendres brûlantes, des mégots de cigarettes, des allumettes, etc.
 - Des matériels inflammables,
 - De la poussière très fine (ex. la poussière de ciment) ou des cendres,
 - Des objets pointus et durs (tels que de grands débris de verre).
 - Des liquides ou de la poussière mouillée
- Videz et nettoyez le bac à poussière après chaque utilisation (lisez le chapitre intitulé : “Nettoyage et Rangement”).
- N'utilisez pas l'appareil s'il est connecté à l'adaptateur principal

1. Fixez l'adaptateur d'embouts sur l'ouverture de succion.
2. Si vous le désirez, vous pouvez connecter le tube d'extension à l'adaptateur d'embouts.
3. Connectez l'embout que vous désirez au tube d'extension.
Les embouts peuvent également être fixés directement à l'adaptateur d'embouts, et vous n'avez pas besoin d'utiliser le tube d'extension
4. Vous pouvez utiliser les deux méthodes suivantes pour allumer l'appareil :
 - Appuyez doucement sur le bouton Marche/Arrêt, et l'appareil s'éteindra lorsque vous n'appuierez plus sur le bouton.
 - Appuyez fermement sur le bouton Marche/Arrêt, puis relâchez-le. Si vous désirez éteindre l'appareil de nouveau, il vous suffit d'appuyer encore une fois sur le bouton Marche/Arrêt.
5. L'aspirateur peut être utilisé immédiatement.
6. Placez l'appareil sur l'endroit qui doit être nettoyé
7. Eteignez l'appareil.
8. Si vous désirez enlever les embouts, il vous suffit simplement de les détacher de l'adaptateur ou des tubes extension

IV. Nettoyage et rangement

- L'appareil doit être désactivé avant le nettoyage.
- Il ne faut jamais plonger l'appareil, l'adaptateur principal, la pile rechargeable ou le câble dans l'eau ou dans tout autre liquide.
- L'appareil ne doit pas être connecté à l'adaptateur principal pendant que le bac à poussière est nettoyé.
- N'utiliser jamais de savon ou d'autres détergents pour nettoyer le filtre HEPA, car ceci risque de l'endommager.
- Les filtres ne doivent pas être placés dans le lave-vaisselle, la machine à laver ou le sèche-linge ! Ils doivent être

uniquement séchés à l'air, et vous ne devez en aucun cas utiliser un sèche-cheveux.

■ Toutes les pièces doivent être parfaitement sèches avant d'être assemblé !

■ N'utilisez pas de détergents abrasifs au corrosif pour nettoyer l'extérieur de l'appareil, car ceci risque de l'endommager. Si besoin est, nettoyez l'extérieur de l'aspirateur à l'aide d'un chiffon doux et humide.

Vider le bac à poussière et nettoyer les filtres

1. Afin d'enlever le bac à poussière, tournez-le légèrement dans le sens inverse des aiguilles d'une montre.

2. Appuyez sur le bouton du bac à poussière, et videz le contenu de celui-ci dans la poubelle.

3. Enlevez les filtres du bac à poussière : tournez le bac à poussière légèrement dans le sens inverse des aiguilles d'une montre, enlevez les deux filtres et videz leur contenu dans la poubelle.

4. Si besoin est, nettoyez le bac à poussière et les filtres avec de l'eau fraîche et tiède.

5. Toutes les pièces doivent être parfaitement sèches avant l'assemblage.

ATTENTION: ne remplacez jamais les filtres dans l'appareil s'ils sont encore humides. Lorsqu'ils seront parfaitement secs, remplacez-les correctement dans la partie principale, afin de permettre au bac à poussière d'être correctement inséré.

6. L'appareil doit être rangé dans un endroit sec, il ne doit pas être en contact avec le soleil, ne doit pas s'en approcher. Et les enfants et les animaux

Si vous ne désirez pas utiliser l'aspirateur pendant une longue période, il vaut mieux enlever la pile rechargeable (voir la section intitulée "Enlever la pile rechargeable").

V. Résolution des problèmes

Si l'appareil ne fonctionne pas correctement, veuillez vérifier si vous pouvez d'abord résoudre les problèmes par vous-même.

Ne tentez pas de réparer un appareil défectueux par vous-même !

PROBLEME	RAISON POSSIBLE	SOLUTION POSSIBLE
L'aspirateur à main ne fonctionne pas.	<ol style="list-style-type: none">1. La pile n'est pas chargée2. Il est impossible de charger la pile.3. Les contacts entre l'appareil et l'unité de chargement sont sales.4. Le transformateur électrique ne fonctionne pas.5. Le chargeur est branché	<ol style="list-style-type: none">1. Chargez l'appareil.2. Jetez l'appareil.3. Nettoyez les contacts.4. Vérifiez le fusible le disjoncteur, et remplacez-les.5. Débranchez le chargeur
La brosse motorisée ne fonctionne pas	<ol style="list-style-type: none">1. L'agitateur est bloqué par des débris ou de la ficelle.2. La ceinture est brisée3. L'unité de puissance ou l'aspirateur ne sont pas scellés correctement.	<ol style="list-style-type: none">1. Enlevez les débris de l'agitateur ; si vous y trouvez de la ficelle, utilisez une paire de ciseaux pour l'enlever.2. Appelez le service à la clientèle.3. Scellez l'unité de puissance et l'aspirateur correctement
L'aspirateur à main ne ramasse pas de poussière e la succion est faible.	<ol style="list-style-type: none">1. Le bac à poussière est plein.2. Le bac à poussière doit être nettoyé ou remplacé.3. L'appareil doit être rechargé.	<ol style="list-style-type: none">1. Videz le bac à poussière.2. Enlevez le filtre du bac à poussière et vérifiez s'il n'est pas obstrué par un objet quelconque. Ensuite, nettoyez ou remplacez le filtre du bac à poussière.3. L'appareil doit être chargé.
La poussière s'échappe de l'aspirateur à main.	<ol style="list-style-type: none">1. Le bac à poussière est plein.2. Le bac à poussière n'est pas installé correctement3. Le filtre du bac à poussière est troué.	<ol style="list-style-type: none">1. Videz le bac à poussière.2. Relisez les instructions sur l'installation du filtre du bac à poussière.3. Remplacez le filtre du bac à poussière.
La pile n'est pas suffisamment chargée	<ol style="list-style-type: none">1. La pile n'est plus en bon état.	Appelez le service à la clientèle.

Enlever la pile rechargeable

■ Il ne faut pas ouvrir la pile rechargeable, afin d'éviter les court-circuits ou de laisser s'échapper des vapeurs irritantes ou des liquides corrosifs.

■ La pile rechargeable ne doit pas être exposée au soleil, à la chaleur au feu, afin d'éviter les explosions.

Cet appareil est équipé d'une pile rechargeable, et celle-ci doit être enlevée avant que l'appareil ne soit jeté.

1. La pile rechargeable se trouve au bas de l'appareil.
2. Appuyez sur le loquet de la pile rechargeable pour l'enlever (voir la photo).
3. Débarrassez-vous de vos piles rechargeables tout en respectant l'environnement (par exemple, vous pouvez les déposer dans des lieux de collecte ou chez des vendeurs).

Lorsque vous débarrassez de votre appareil, assurez-vous que cet acte ne nuit pas à l'environnement. Par exemple, vous pouvez les déposer dans un lieu où les appareils électroménagers sont recyclés. Si vous désirez procéder de cette manière, veuillez contacter les autorités locales, afin d'obtenir tous les renseignements nécessaires.

Avant de vous débarrasser de l'appareil, vous devez enlever les piles et les jeter séparément. Afin de protéger l'environnement, les piles et les piles rechargeables ne devraient pas être jetées en même temps que les autres déchets ; par contre, vous pouvez les déposer dans certains points de collecte, et il faut également vous renseigner afin de connaître la marche à suivre dans ce cas.

ENVIRONNEMENT

ATTENTION :



Vous ne devez pas vous débarrasser de cet appareil avec vos déchets ménagers. Un système de collecte sélective pour ce type de produit est mis en place par les communes, vous devez vous renseigner auprès de votre mairie afin d'en connaître les emplacements. En effet, les produits électriques et électroniques peuvent contenir des substances dangereuses qui ont des effets néfastes sur l'environnement ou la santé humaine et doivent être recyclés. Le symbole ci-contre indique que les équipements électriques et électroniques font l'objet d'une collecte sélective, il représente une poubelle sur roues barrée d'une croix.

DEUTSCH

Liebe Kunden,

Wir freuen uns sehr, dass Sie diesen batteriebetriebenen Handstaubsauger gewählt haben.

Bevor Sie das Gerät zum ersten Mal benutzen, lesen Sie bitte die Anweisungen sorgfältig durch und bewahren Sie diese als künftige Referenz auf.

Diese Anweisungen müssen bei Weitergabe an andere mitgegeben werden.

Der Hersteller oder Importeur übernimmt keine Haftung, im Falle, wenn die in diesen Anweisungen erhaltenden Informationen nicht beachtet worden sind!

Bitte beachten Sie: Die Abbildungen in dieser Anleitung können von dem tatsächlichen Gerät geringfügig abweichen.

Ordnungsgemäße Nutzung

- Dieses Gerät ist dafür geeignet, auf trockenen Flächen staubzusaugen.
- Staubsaugen Sie auf keinen Fall das folgende:
 - Glimmende Asche, Zigarettenstummel, Streichhölzer usw.,
 - Entflammbare oder entzündliche Stoffe,
 - Feinstaub (z.B. Zementstaub), Asche oder Toner,
 - Spitzige, feste Gegenstände wie z.B. größere Glasscherben,
 - Flüssigkeiten oder feuchten Schmutz.
- Das Gerät ist für die Haushaltsnutzung, keine kommerzielle Nutzung gedacht.
- Nur für den sachgemäßen Gebrauch, wie es in der Bedienungsanleitung beschrieben ist. Alle anderen Verwendungen gelten als nicht bestimmungsgemäß.
- Defekte, die durch eine unsachgemäße Nutzung, Schäden oder Reparaturversuche sind aus der Garantie ausgeschlossen. Dies gilt auch für die normale Abnutzung.

I. Sicherheitshinweise

■ Das Gerät darf durch Kinder ab 8 Jahren und über und Personen mit eingeschränkten physischen, sensorischen oder geistigen Fähigkeiten oder mangels Erfahrung und Wissen benutzt werden, wenn sie beaufsichtigt werden oder erhaltenen Anweisungen, wie das Gerät sicher zu benutzen ist und kennen die damit angebundene Gefahren.

■ Kinder dürfen mit dem Gerät nicht spielen.

■ Die Reinigung und Wartung des Gerätes darf von Kindern nicht durchgeführt werden.

■ Kinder unter 8 Jahren und Tiere müssen von dem Gerät und dem Verbindungskabel ferngehalten werden!

■ Kinder müssen beaufsichtigt werden, um zu sichern, dass sie mit dem Gerät nicht spielen und/oder sich an dem nicht verletzen.

■ Benutzen Sie das Gerät und bewahren Sie es ausschließlich außer Reichweite von Kindern und Tieren auf. Eine unsachgemäße Nutzung kann Verletzungen oder ein Stromschlag verursachen. Das Netzkabel muss ebenso außer Reichweite von Kindern und Tieren aufbewahrt werden.

■ Das Gerät muss immer vom Versorgungsnetz getrennt werden, wenn es unbeaufsichtigt ist und bevor Sie das Gerät montieren, abbauen oder reinigen.

■ Laden Sie die wiederaufladbare Batterie ausschließlich mit dem beiliegenden Netzteil und der Ladestation auf. Laden Sie damit keine anderen Geräte außer dem Handstaubsauger.

■ Tauchen Sie das Gerät, das Netzkabel oder den Stecker nie in Wasser oder andere Flüssigkeiten und vergewissern Sie sich, dass diese in Wasser nicht fallen oder nicht nass werden.

■ Wenn das Gerät, das Netzkabel oder der Stecker des Gerätes beschädigt ist, müssen sie durch den Hersteller, die Kundendienstabteilung oder einer ähnlich qualifizierten Person (z.B. Fachwerkstatt) ersetzt werden, um Gefahren zu vermeiden.

Verletzungsrisiko

■ Halten Sie Kinder und Tiere von dem Gerät oder Verpackungsmaterialien fern. Es besteht eine Verletzungs- oder Erstickungsgefahr.

■ Benutzen Sie das Gerät nicht, wenn es beschädigt ist.

■ Während der Nutzung, halten Sie die Düsen von Körperteilen und Haustieren fern. Diese können in dem Staubsauger gefangen werden. Wenn der Staubsauger sich an etwas festsaugt, schalten Sie ihn unverzüglich mit dem On/Off Schalter aus.

Risiko eines Stromschlages oder eines Brandes

■ Schließen Sie das Netzteil ausschließlich an einer ordnungsgemäß installierten Steckdose mit Schutzleiterkontakt an.

Die Steckdose muss nach dem Anschließen einfach erreichbar sein, so dass die Netzverbindung schnell abgebrochen werden kann. Die Netzspannung muss mit den technischen Daten des Gerätes übereinstimmen.

Benutzen Sie ausschließlich ordentliche Verlängerungskabel, deren technische Daten mit denen von dem Gerät oder Netzteil übereinstimmen.

■ Wenn das Gerät ins Wasser fällt, trennen Sie es vom Netz unverzüglich. Versuchen Sie es nicht, das Gerät aus Wasser herauszuziehen, wenn es an dem Versorgungsnetz angeschlossen ist.

■ Fassen Sie das Gerät, das Netzkabel oder den Netzteil mit nassen Händen nie an, wenn diese Komponente am Versorgungsnetz angeschlossen sind.

■ Schalten Sie das Gerät aus und ziehen Sie das Netzteil aus der Steckdose

- Wenn Sie damit nicht mehr arbeiten,
- Vor einem Unwetter,
- Wenn ein Fehler oder eine Fehlfunktion während der Nutzung vorkommt.
- Wenn Fremdkörper in das Gerät gelangen.

■ Benutzen Sie das Gerät nicht, wenn es immer noch mit der Netzversorgung oder Stromquelle verbunden ist.

■ Ziehen Sie immer am Netzteil, nie am Versorgungskabel.

■ Benutzen Sie das Gerät ausschließlich in geschlossenen Räumen.

■ Benutzen Sie das Gerät nicht in Räumen, die leicht entzündliche Stäube, toxische oder explosive Dämpfe beinhalten.

■ Bedienen Sie das Gerät nicht in einer sehr feuchten Umgebung oder in der Nähe vom entzündbaren Stoffen.

■ Für Ihre eigene Sicherheit, überprüfen Sie das Gerät auf Beschädigungen bevor Sie es benutzen. Benutzen Sie das Gerät nur wenn es, die wiederaufladbare Batterie, Stromkabel oder der Stecker keine Beschädigungen aufweist!

Gefahr von wiederaufladbaren Batterien

■ Wiederaufladbare Batterien können, wenn verschluckt, tödlich sein. Suchen Sie sofort einen Arzt auf, wenn eine Batterie verschluckt worden ist.

■ Bevor Sie die Batteriepackung einsetzen, vergewissern Sie sich, ob die Kontakte sauber sind, und reinigen Sie diese, wenn nötig.

■ Benutzen Sie nur den in den technischen Daten angegebenen Batterietyp.

■ Wenn die Batterie ausgelaufen ist, lassen Sie niemals ihre Haut, Augen und Schleimhäute mit der Batteriesäure in Kontakt kommen. Wenn Sie Batteriesäure berühren, spülen Sie die betroffenen Stellen mit der ausreichenden Menge von Wasser sofort ab und kontaktieren Sie einen Arzt so bald wie möglich.

■ Entnehmen Sie die auslaufende Batterie unverzüglich aus dem Gerät. Reinigen Sie die Kontakte, bevor Sie eine neue Batterie einsetzen.

■ Die Batterie darf nicht ausgebaut, in Feuer geworfen, in eine Flüssigkeit getaucht oder kurzgeschlossen werden.

Beschädigungen von Stoff, Eigentum oder dem Gerät vermeiden

■ Platzieren Sie das Gerät immer auf einer trockenen, ebenen, festen und hitzebeständigen Fläche.

■ Legen Sie das Kabel von dem Netzteil so, dass es keine Stolpergefahr darstellt.

■ Vergewissern Sie sich, dass das Verbindungskabel nicht gezwickt, getreten, oder über scharfe Kanten gelegt wird, und nicht mit heißen Flächen in Kontakt kommt.

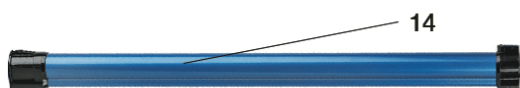
■ Erhalten Sie eine angemessene Distanz zu Hitzequellen wie z.B. Öfen oder Herde, um eine Beschädigung des Gerätes zu vermeiden. Platzieren Sie keine offenen Flammen, z.B. brennende Kerzen, in der unmittelbaren Nähe von dem Gerät, Kabel, der wiederaufladbaren Batterie und dem Netzteil.

■ Lassen Sie das Gerät nicht fallen und sichern Sie es von heftigen Schläge.

■ Ziehen oder tragen Sie das Gerät nicht am Kabel des Netzteils.

- Unterziehen Sie das Gerät keinen extremen Temperaturen, starken Temperaturschwankungen, Feuchtigkeit, Nässe oder direkter Sonnenstrahlung.
- Verwenden Sie keine ätzenden oder scheuernden Reinigungsmittel, um das Gerät zu reinigen. Diese können die Fläche beschädigen.
- Benutzen Sie das Gerät nur dann, wenn es komplett und korrekt montiert worden ist! Der Staubbehälter und der Filter müssen eingebaut sein. Der Filter darf nicht beschädigt werden!
- Setzen Sie nichts in die Öffnungen/ Düsen des Gerätes ein und vergewissern Sie sich, dass diese nicht verstopft sind.
- Entleeren Sie den Staubbehälter nach jedem Gebrauch. Die Filter müssen auch regelmäßig gereinigt werden, um eine Überlastung des Motors zu verhindern. Benutzen Sie nur das Zubehör, das von dem Hersteller empfohlen worden ist.

II. Produktinhalt und Geräteübersicht



- 1 Ladekontroll-Leuchte
 - 2 An/Aus Schalter
 - 3 Motormontage/Haupteinheit
 - 4 Wiederaufladbare Batterie (Abnehmbar)
 - 5 Staubbehälter-Deckel
 - 6 Staubfilter (befindet sich in dem Staubbehälter)
 - 7 Staubbehälter
 - 8 Saugöffnung
 - 9 Bodendüse
 - 10 Bürstendüse
 - 11 Fugendüse
 - 12 Düsenadaptor (ist immer zuerst an der Saugöffnung befestigt)
 - 13 Netzteil
- Nicht angezeigt
- HEPA Filter (im Staubfilter)
 - Ladestation
- 14 Elektrische rohre

Zubehör:

Bodendüse



Die Bodendüse ist sowie für Teppiche, als auch für einen glatten Boden geeignet.

Fugendüse



Benutzen Sie diese Düse, um Schmutz und Staub zu saugen. Es passt für die Reinigung von Kissen, Autoinnenraum und besonderes von schwer erreichbaren Stellen wie z.B. Ecken, Nischen oder Fugen.

Bürstendüse



Benutzen Sie die Bürstendüse für alle Gegenstände, Möbel, Lampen, Fensterbänke, Profilstreifen und Sockelleisten mit unebenen Oberflächen genauso wie empfindlichen Gegenständen wie z.B. Bilderrahmen, Lampenschirme, Tastaturen, Bücher usw.

III. Nutzung des Produktes

Halten Sie Kinder und Tiere von dem Verpackungsmaterial fern. Es besteht eine Erstickungsgefahr!

1. Packen Sie alle Teile aus, entfernen Sie die Folie und Transportsicherungselemente und vergewissern Sie sich, dass der Produktinhalt vollständig ist. (Siehe das Kapitel „Produktinhalt und Geräteübersicht“) und überprüfen Sie das Gerät auf jegliche Transportbeschädigungen. Wenn Sie eine Beschädigung von Bestandteilen bemerken, benutzen Sie diese nicht (!), stattdessen kontaktieren Sie unser Kundenservice.
2. Laden Sie die wiederaufladbare Batterie (siehe das Kapitel „Die wiederaufladbare Batterie aufladen“).

Die wiederaufladbare Batterie aufladen

■ Ziehen Sie den Netzteil aus der Steckdose, wenn Sie das Gerät für eine längere Zeit nicht benutzen.

■ **Laden Sie die wiederaufladbare Batterie vollständig vor dem ersten Gebrauch für bestmögliche Funktion. Der Ladeprozess wird ungefähr 4 bis 5 Stunden dauern.**

■ **Wenn die wiederaufladbare Batterie nach dem Gebrauch komplett leer ist, wird es ungefähr 4 bis 5 Stunden dauern, bis diese vollständig aufgeladen ist.**

1. Entfernen Sie die wiederaufladbare Batterie aus dem Gerät: Drücken Sie den Riegel auf der wiederaufladbaren Batterie (Siehe Bild) und entnehmen Sie diese.
2. Setzen Sie die wiederaufladbare Batterie in die Ladestation ein.
3. Schließen Sie den Verbindungsadapter des Netzteils zuerst an der Anschlussbuchse der Ladestation, und dann an der ordnungsgemäß installierten, einfach erreichbaren Steckdose an.
4. Die grüne und die rote Kontrollleuchte auf der Ladestation werden angehen. Die wiederaufladbare Batterie wird laden.
5. Lassen Sie die wiederaufladbare Batterie des Gerätes laden für ungefähr 4 bis 5 Stunden, um die maximale Ladung zu erreichen.
Wenn allein die grüne Kontrollleuchte an bleibt, ist die wiederaufladbare Batterie komplett aufgeladen.
6. Trennen Sie zuerst das Netzteil von der Stromversorgung, und dann den Verbindungsadapter von der Ladestation.
7. Entnehmen Sie die wiederaufladbare Batterie aus der Ladestation und setzen Sie diese in das Gerät wieder ein.

Operation

■ Während des Gebrauchs, halten Sie die Düsen nie in der Nähe von Körperteilen und greifen Sie in diese nicht. Das Gerät kann sich daran befestigen, was zu Verletzungen führen kann. Wenn sich das Gerät an dem Boden festsaugt, schalten Sie es unverzüglich aus.

■ Halten Sie die Düsen während des Gebrauchs von Tieren fern. Versuchen Sie es nicht, Tiere mit dem Gerät abzusaugen. Das Gerät kann sich an diesen festsaugen, was zu Verletzungen führen wird. Wenn sich das Gerät an dem Boden festsaugt, schalten Sie es unverzüglich aus.

■ Vergewissern Sie sich, dass es keine großen, spitzigen Gegenstände auf der Fläche, die gereinigt wird, gibt.

■ Saugen Sie in keinem Fall das Folgende:

- Glimmende Asche, Zigarettenstummel, Streichhölzer usw.,
- Entflammbare oder entzündliche Stoffe,
- Feinstaub (z.B. Zementstaub), Asche oder Toner,
- Spitzige, feste Gegenstände wie z.B. größere Glasscherben,
- Flüssigkeiten oder feuchten Schmutz.

■ Entleeren Sie den Staubbehälter nach jedem Gebrauch (Siehe das Kapitel "Reinigung und Lagerung")

■ Benutzen Sie das Gerät nicht, wenn das an dem Netzteil angeschlossen ist.

1. Setzen Sie den Düsenadapter auf die Saugöffnung.
2. Auf Wunsch, fügen Sie das Verlängerungsrohr zu dem Düsenadapter hinzu.
3. Befestigen Sie die gewünschte Düse an dem Verlängerungsrohr.
Die Düsen können auch direkt an dem Düsenadapter fixiert werden, ohne dass das Verlängerungsrohr dazwischenkommt.

4. Schalten Sie das Gerät an. Dies kann auf zwei Arten geschehen:
 - Indem Sie vorsichtig den An/Aus Schalten gedrückt halten. Das Gerät wird ausgehen, wenn Sie diesen loslassen.
 - Indem Sie auf den An/ Aus Schalter einmal festdrücken und dann diesen lösen. Wenn Sie das Gerät wieder ausschalten wollen, drücken Sie auf den An/ Aus Schalten noch einmal.
5. Das Gerät wird unverzüglich anfangen, staubzusaugen,
6. Führen Sie das Gerät über die Fläche, die gereinigt werden soll.
7. Schalten Sie das Gerät aus.
8. Wenn Sie die Düsen abnehmen wollen, ziehen Sie diese von dem Düsenadapter oder Verlängerungsrohren einfach ab.

IV. Reinigung und Lagerung

■ Vergewissern Sie sich, dass das Gerät ausgeschaltet ist, bevor Sie es reinigen!

■ Tauchen Sie das Gerät, das Netzteil, die wiederaufladbare Batterie oder das Kabel nie in Wasser oder andere Flüssigkeiten.

■ Das Gerät darf während der Reinigung von dem Staubbehälter an dem Netzteil nicht angeschlossen sein.

■ Benutzen Sie nie Seife oder andere Reinigungsmittel, um den Staub- oder HEPA Filter zu Reinigen. Sonst werden die Filter beschädigt.

■ Die Filter sind für die Waschmaschine, Spülmaschine oder Trockener nicht geeignet! Lassen Sie die Filter an der Luft trocknen und benutzen Sie auf keinen Fall einen Haartrockner.

■ Bauen Sie das Gerät nur dann wieder zusammen, wenn alle Bestandteile komplett trocken sind!

■ Benutzen Sie keine schleifenden oder ätzenden Reinigungsmittel, um das Gehäuse zu reinigen. Sie können die Oberfläche beschädigen. Wenn nötig, reinigen Sie das Gehäuse mit einem feuchten, weichen Tuch.

Den Staubbehälter entleeren und die Filter reinigen

1. Nehmen Sie den Staubbehälter von dem Gerät ab, indem Sie diesen ungefähr eine Viertel Drehung nach links drehen und ihn rausziehen.
2. Drücken Sie auf den Entriegelungsknopf auf dem Staubbehälter und entleeren Sie diesen über dem Mülleimer.
3. Entnehmen Sie die Filter aus dem Staubbehälter: Drehen Sie den Staubfilter ungefähr eine Viertel Drehung nach links und entfernen Sie beide Filter. Klopfen Sie den Staub auf den Filtern über dem Mülleimer heraus.
4. Wenn nötig, reinigen Sie den Staubbehälter und die Filter mit sauberem, lauwarmem Wasser.
5. Lassen Sie alle Teile komplett trocknen, bevor Sie diese montieren.

ACHTUNG: Setzen Sie die Filter auf keinen Fall ein, wenn sie noch feucht sind. Gehen Sie die obigen Schritte in umgekehrter Reihenfolge durch, um diese zu montieren. Vergewissern Sie sich, dass die Verschlüsse auf dem Staubbehälter in den entsprechenden Aussparungen auf dem Hauptgerät eingeführt sind. Ansonsten wird der Staubbehälter nicht ordnungsgemäß in dem Gerät einrasten.

6. Lagern Sie das Gerät und das Zubehör an einem trockenen Ort, weg von der Sonne und außer Reichweite von Kindern und Tieren.

Wenn Sie es beabsichtigen, das Gerät für eine längere Zeit nicht zu benutzen, entnehmen Sie die wiederaufladbare Batterie, um auf der sicheren Seite zu bleiben. (siehe das Kapitel „Die wiederaufladbare Batterie entfernen“).

V. Fehlersuche

Wenn das Gerät nicht richtig funktioniert, überprüfen Sie zuerst, ob sie dieses Problem selbständig lösen können.

Versuchen Sie es nicht, das fehlerhafte Gerät zu reparieren!

PROBLEM	MÖGLICHE URSACHE	MÖGLICHE LÖSUNG
Der Handstaubsauger funktioniert nicht	<ol style="list-style-type: none">1. Die Batterie ist leer2. Die Batterie ist verbraucht (Batterie hält die Ladung nicht)3. Die Kontakte zwischen dem Gerät und Ladegerät sind schmutzig.4. Die Steckdose ist ohne Strom5. Das Ladegerät ist angeschlossen	<ol style="list-style-type: none">1. Laden Sie die Batterie2. Entsorgen Sie die Einheit3. Wischen oder reinigen Sie den Schmutz von den Kontakten4. Kontrollieren Sie die Sicherung oder den Schalter, ersetzen Sie die Sicherung/ setzen Sie den Schalter zurück5. Trennen Sie das Ladegerät vom Netz
Die motorisierte Bürste funktioniert nicht	<ol style="list-style-type: none">1. Der Agitator ist durch Schutt oder ein Seil blockiert.2. Der Gürtel ist kaputt3. Das Aggregat/Staubsauger ist nicht richtig positioniert	<ol style="list-style-type: none">1. Entfernen Sie Schutt aus dem Agitator. Wenn sich dort ein eingewickeltes Seil oder einen Faden befinden, entfernen Sie diese vorsichtig mit einer Schere.2. Rufen Sie den Kundendienst an3. Positionieren Sie das Aggregat/ den Staubsauger korrekt
Der Staubsauger saugt nicht gut/ die Saugleistung ist zu schwach	<ol style="list-style-type: none">1. Staubbehälter ist voll2. Staubfilter muss gereinigt oder ersetzt werden3. Das Gerät muss aufgeladen werden	<ol style="list-style-type: none">1. Entleeren Sie den Staubbehälter2. Entfernen Sie den Staubfilter, überprüfen Sie diesen auf Gegenstände und entnehmen Sie diese. Reinigen oder ersetzen Sie den Staubfilter.3. Laden Sie das Gerät auf
Staub kommt aus dem Staubsauger	<ol style="list-style-type: none">1. Staubbehälter ist voll2. Staubfilter ist nicht richtig installiert worden3. Der Staubfilter hat Punctionen/Löcher	<ol style="list-style-type: none">1. Entleeren Sie den Staubbehälter2. Überprüfen Sie die Staubfilter- Einbauvorschriften3. Ersetzen Sie den Staubfilter
Die Batterie hält nicht	<ol style="list-style-type: none">1. Die Batterie hat das Ende ihrer Lebensdauer erreicht	Rufen Sie den Kundendienst an.

Die wiederaufladbare Batterie entfernen

■ Öffnen Sie die wiederaufladbare Batterie nicht; es besteht das Risiko eines Kurzschlusses; irritativ wirkende Dämpfe oder ätzende Flüssigkeiten können auch ausgestoßen werden.

■ Setzen Sie die wiederaufladbare Batterie nicht intensiver Sonneneinstrahlung, Hitze oder Feuer aus; es besteht das Risiko einer Explosion.

Das Gerät verfügt über eine wiederaufladbare Batterie; diese muss entnommen werden, wenn Sie das Gerät entsorgen.

1. Die wiederaufladbare Batterie befindet sich auf dem Boden des Hauptgerätes.
2. Drücken Sie den Riegel auf der wiederaufladbaren Batterie (Siehe Bild) und entnehmen Sie diese.
3. Entsorgen Sie die wiederaufladbare Batterie umweltfreundlich (Sammelpunkte oder Lieferanten)

Entsorgen Sie das Gerät umweltfreundlich. Es darf über den normalen Hausmüll nicht entsorgt werden. Bitte entsorgen Sie es auf Recyclinghöfen für gebrauchte elektrische und elektronische Geräte. Weitere Informationen erhalten Sie bei Ihren örtlichen Behörden.

Wiederaufladbare und andere Batterien müssen vor der Entsorgung des Gerätes entfernt und separat entsorgt werden. Um die Umwelt zu schützen dürfen wiederaufladbare und andere Batterien zusammen mit dem normalen Hausmüll nicht entsorgt werden. Stattdessen müssen Sie an entsprechenden Sammelpunkten abgegeben werden. Beachten Sie bitte auch die anwendbaren gesetzlichen Bestimmungen, die Entsorgung von Batterien regeln.

UMWELT

ACHTUNG:



Werfen Sie nicht dieses Produkt, wie es mit anderen Haushaltsprodukten hat. Es gibt eine Mülltrennung von diesem Produkt in Gemeinden, Sie müssen Ihre lokalen Behörden über die Orte, wo man dieses Produkt zurückgeben können zu informieren. In der Tat enthalten elektrische und elektronische Produkte gefährliche Stoffe, die schädliche Auswirkungen auf die Umwelt oder die menschliche Gesundheit haben und sollte recycelt werden. Das Symbol hier darauf hinweisen, dass elektrische oder elektronische Geräte sollten sorgfältig ausgewählt werden, ist ein fahrbarer Abfallbehälter mit einem Kreuz markiert.

NEDERLANDS

Geachte klant,

Wij stellen het zeer op prijs dat u deze, op een accu aangedreven draagbare stofzuiger, heeft gekozen.

Voor het eerste gebruik, eerst zorgvuldig de instructies lezen en bewaar ze voor toekomstige referentie.

Deze instructies horen bij het apparaat als het aan een ander wordt gegeven.

De fabrikant en de importeur zijn niet aansprakelijk als deze instructies niet worden nageleefd!

Opmerking: De afbeeldingen in deze handleiding kunnen afwijken van het echte apparaat.

Juist gebruik

- Dit apparaat is ontworpen voor het zuigen van droge oppervlakken.
- In geen geval het volgende op zuigen:
 - Smeulende as, sigaretten peuken, lucifers, etc.,
 - Brandbaar of ontvlambaar materiaal,
 - Heel erg fijne stof (bv. cement stof), as of inkt,
 - Puntige, harde objecten zoals grote stukken glas,
 - Vloeistoffen en nat vuil.
- Het apparaat is bedoeld voor huishoudelijk, niet commercieel gebruik.
- Gebruik het apparaat alleen zoals beschreven in deze handleiding. Al het ander gebruik is niet gewenst.
- Defecten ontstaan door onjuist gebruik, schade of pogingen tot reparatie laten de garantie vervallen. Dit geldt ook voor normale slijtage.

I. Veiligheid opmerkingen

■ Het apparaat mag gebruikt worden door kinderen van 8 jaar en ouder en door personen met een geestelijke of lichamelijke beperking, of met een gebrek aan ervaring en/of kennis, zolang er toezicht wordt gehouden of instructies hebben gehad over hoe ze het apparaat veilig moeten gebruiken en de gevaren begrijpen.

■ Kinderen mogen niet met dit apparaat spelen.

■ Schoonmaken en gebruikersonderhoud mag niet worden uitgevoerd door kinderen.

■ Kinderen jonger dan 8 jaar en dieren moeten weg worden gehouden van het apparaat en de stroomkabel!

■ Kinderen moeten onder toezicht worden gehouden om te verzekeren dat ze niet gaan spelen of zich met het apparaat verwonden.

■ Gebruik en sla het apparaat op buiten bereik van kinderen en dieren. Verkeerd gebruik kan leiden tot verwondingen en elektrische schokken. De stroomkabel moet buiten bereik van kinderen en dieren worden gehouden.

■ Het apparaat moet altijd van het stroom worden gehaald als er geen toezicht op is en voor het in elkaar zetten of uit elkaar halen of het schoonmaken van het apparaat.

■ De accu alleen opladen met de bijgeleverde adapter en laadstation. Geen andere apparaten dan de stofzuiger opladen met de bijgeleverde adapter en laadstation.

■ Nooit het apparaat, stroomkabel of stekker onderdompelen in water of andere vloeistof en verzeker dat het niet in water kan vallen of nat kan worden.

■ Als het apparaat, de stroomkabel of de stekker is beschadigd, moet het worden vervangen door de fabrikant of een servicemonteur of een gelijkwaardig gekwalificeerd persoon (zoals een reparatiebedrijf) om gevaren te vermijden.

Risico's op verwondingen

■ Houd kinderen en dieren weg van het apparaat en het verpakkingsmateriaal. Er is gevaar op verwondingen en verstikking!

■ Niet het apparaat gebruiken als het beschadigd is.

- Tijdens gebruik, de zuigmond weghouden van lichaamsdelen en huisdieren. Ze kunnen worden opgezogen door de stofzuiger. Als de stofzuiger zich ergens aan vast zuigt, schakel het meteen uit met de On/Off schakelaar.

Risico op elektrische schok en vuur

- Steek de stekker alleen in een goed geïnstalleerd stopcontact met beschermende randdaarde.

Het stopcontact moet goed bereikbaar zijn zodat de stekker snel kan worden losgemaakt. De spanningsbron moet overeenkomen met de technische gegevens van het apparaat. Gebruik alleen geschikte verlengkabels, die overeenkomen met de technische gegevens van het apparaat en de stekker.

- Als het apparaat in water valt, meteen de stekker uit het stopcontact halen. Probeer niet het apparaat uit het water te halen als de stekker er nog in zit!

- Nooit het apparaat, de stroomkabel of de stekker met natte handen vast pakken als ze nog aangesloten zijn op het lichtnet.

- Schakel het apparaat uit en haal de stekker uit het stopcontact

- als u klaar bent met zuigen,

- voor een storm,

- als er een complicatie is tijdens het zuigen,

- als vreemde objecten het apparaat ingaan.

- Niet het apparaat gebruiken als het nog steeds aangesloten zit op het lichtnet.

- Trek altijd aan de stekker en nooit aan de kabel.

- Gebruik het apparaat alleen binnenshuis.

- Gebruik het apparaat niet in ruimtes met makkelijk ontvlambaar stof of met giftige en explosieve dampen.
- Gebruik het apparaat in vochtige omgevingen of in de buurt van brandbaar materiaal.
- Voor uw eigen veiligheid, altijd eerst het apparaat op beschadigingen controleren voor gebruik. Alle het apparaat gebruiken als er geen beschadigingen zijn aan het apparaat, accu, stroomkabel of de stekker!

Gevaren van de accu

- De accu kan dodelijk zijn als het wordt doorgeslikt. Zoek medische hulp als de accu is doorgeslikt.
- Voor het plaatsen van de accu, controleer of de contactpunten schoon zijn en maak ze anders schoon.
- Gebruik alleen de type accu die wordt aangegeven bij de technische gegevens.
- Als de accu heeft gelekt, laat het accu zuur niet in contact komen met uw huid, ogen of slijmvliezen. Als u het accu zuur heeft aangeraakt, spoel het meteen af met overmatig water en neem zo snel mogelijk contact op met een dokter.
- Haal een lekkende accu meteen uit het apparaat. Maak de contactpunten schoon voor plaatsing van een nieuwe accu.
- De accu mag niet uit elkaar worden gehaald, in vuur worden gegooid, ondergedompeld worden in een vloeistof of worden kortgesloten.

Vermijd schade aan de materialen, eigendommen en het apparaat.

- Altijd het apparaat plaatsen op een droog, stevig en hittebestendig oppervlak.
- Plaats de kabel zodanig dat er geen gevaar voor struikelen ontstaat.
- Verzeker dat de kabel niet beklemd of geknikt wordt of dat het over een scherpe rand of een heet oppervlak ligt.
- Houd voldoende afstand tot hittebronnen zoals kachels en ovens om schade aan het apparaat te voorkomen. Plaats geen open vuur, zoals brandende kaarsen, in de directe nabijheid van het apparaat, kabel, accu en adapter.
- Laat het apparaat niet vallen en schud er niet mee.
- Trek of draag het apparaat niet aan de stroomkabel of adapter.
- Houdt het apparaat verwijderd van extreme temperaturen, grote temperatuurverschillen, vochtigheid, nattigheid of direct zonlicht.
- Gebruik geen bijtende schoonmaakmiddelen om het apparaat schoon te maken. Dat kan het oppervlak beschadigen.
- Gebruik het apparaat alleen als het helemaal en correct in elkaar is gezet! De stofbak en filter moeten juist geplaatst zijn. Het filter mag niet beschadigd zijn!
- Niets in de openingen / zuigmond plaatsen en controleer dat er niets vast zit.
- Leeg de stofbak iedere keer na gebruik. De filters moeten regelmatig schoon worden gemaakt om te voorkomen dat de motor overbelast wordt.
- Alleen de accessoires gebruiken die worden aanbevolen door de fabrikant.

II. Product inhoud en apparaat overzicht



- 1 Oplaad controle lampje
- 2 Aan/Uit knop
- 3 Motor assembleer/hoofd unit
- 4 Oplaadbare accu (verwijderbaar)
- 5 Stofbak deksel
- 6 Stoffilter (in de stofbak)
- 7 Stofbak
- 8 Zuig opening
- 9 Vloer zuigmond
- 10 Borstel zuigmond
- 11 Tegel zuigmond
- 12 Zuigmond adapter (wordt altijd als eerste op de zuigopening geplaatst)
- 13 Hoofd adapter
- Niet getoond
 - HEPA filter (in het stoffilter)
 - laadstation
- 14 Elektrische buis

Accessoires:

Vloer zuigmond



De vloer zuigmond is geschikt voor zowel tapijt als gladde vloeren.

Tegel zuigmond



Gebruik de tegel zuigmond om viezigheid en stof op te zuigen. Het is geschikt voor kussens, de binnenkant van de auto en uitermate geschikt voor moeilijk bereikbare plekken zoals hoeken en gaten.

Borstel zuigmond



Gebruik de borstel zuigmond voor alle objecten, meubels, lampen, vensterbanken, profielen en plinten met een ongelijk oppervlak alsook breekbare objecten zoals fotolijstjes, lampenkappen, toetsenborden, boeken, etc.

III. Gebruik van het product

Houd kinderen en dieren weg van het verpakkingsmateriaal. Er is verstikkingsgevaar!

1. Pak alle onderdelen uit, verwijder het plastic en transport materiaal en controleer dat alles compleet is (zie hoofdstuk "Product inhoud en apparaat overzicht") en controleer of er transportschade is. Als u beschadigde onderdelen ziet, gebruik ze dan niet (!), maar neem contact op met de helpdesk.
2. Laad de accu op (zie hoofdstuk "Opladen van de accu").

Opladen van de accu.

- Haal de stekker uit het stopcontact als het langere tijd niet gebruikt.
- **Laad de accu helemaal op voor het eerste gebruik. Opladen duurt ongeveer 4 tot 5 uur.**
- **Als de accu helemaal leeg is na gebruik, zal het ongeveer 4 tot 5 uur duren om weer op te laden.**

1. Haal de accu uit het apparaat: Druk op de vergrendeling van de accu (zie afbeelding) en verwijder het.
2. Plaats de accu in het laadstation.
3. Plaats eerst de connector van de adapter in de stekker van het laadstation en dan de stekker in een correct aangesloten stopcontact.
4. De groene en rode controle lampjes op het laadstation zullen gaan branden. De accu zal zijn opgeladen.
5. Laat de accu in het laadstation voor ongeveer 4 tot 5 uur voor een maximale lading.
Als alleen het groene lampje brandt, is de accu volledig opgeladen.
6. Maak eerst de adapter los van de stroomtoevoer en dan de connector van het laadstation.
7. Verwijder de accu van het laadstation en plaats het weer in het apparaat.

Gebruik

- Tijdens gebruik, nooit de zuigmond boven lichaamsdelen houden en stop er niets in. Het apparaat kan zichzelf vastzuigen en kan u daardoor verwonden. Als de stofzuiger zich vast zuigt aan de vloer, schakel het meteen uit.
- Houd de zuigmond uit de buurt van dieren tijdens gebruik. Probeer geen dieren af te zuigen met dit apparaat. Het apparaat kan zichzelf vastzuigen en kan u daardoor verwonden. Als de stofzuiger zich vast zuigt aan de vloer, schakel het meteen uit.
- Controleer dat er geen grote, puntige objecten zijn in het te zuigen gebied.
- In geen geval het volgende op zuigen:
 - smeulende as, sigaretten peuken, lucifers, etc.,
 - brandbare of ontvlambare materialen,

- heel erg fijne stof (bv. cement stof), as of inkt,
- puntige, harde objecten zoals grote stukken glas,
- vloeistoffen en nat vuil.
- Leeg iedere keer de stofbak na gebruik en maak het schoon (zie hoofdstuk "Schoonmaken en opslag").
- Niet het apparaat gebruiken als het nog steeds aangesloten zit op de adapter.

1. Plaats de zuigmond adapter op de zuigopening.
2. Indien gewenst, plaats de verlengslang op de zuigmond adapter.
3. Plaats de gewenste zuigmond op de verlengslang.

De zuigmonden kunnen ook direct op de zuigmond adapter worden geplaatst zonder de verlengslang er tussen.

4. Schakel het apparaat in. Dit kan op twee manieren gedaan worden:
 - Door zachtjes de On / Off schakelaar ingedrukt te houden. Het apparaat gaat uit als u weer los laat.
 - Door stevig On / Off schakelaar in te drukken en weer los te laten. Als u apparaat weer uit wilt zetten, druk nogmaals op de On / Off knop
5. Het apparaat begint meteen met zuigen
6. Ga met het apparaat of het gebied wat gezogen moet worden.
7. Schakel het apparaat uit.
8. Als u een zuigmond wilt verwijderen, trek hem simpelweg van de zuigmond adapter of van de verlengslang.

IV. Schoonmaken en opslag

- Verzekert dat het apparaat is uitgeschakeld voor u gaat schoonmaken!
- Nooit het apparaat, de adapter, accu of de kabel onderdompelen in water of een andere vloeistof.
- Het apparaat mag niet zijn aangesloten op de adapter bij het schoonmaken van de stofbak.
- Nooit zeep of ander schoonmaakmiddel gebruiken om stof te verwijderen van het HEPA filter. Anders kunnen de filters beschadigen.
- De filters zijn niet geschikt voor wasmachines, afwasmachines of drogers! Alleen lucht mag de filters laten drogen en nooit een föhn gebruiken.
- Zet het apparaat alleen in elkaar als alle onderdelen helemaal droog zijn!

■ Gebruik geen bijtende schoonmaakmiddelen om de behuizing schoon te maken. Dat kan het oppervlak beschadigen. Indien nodig, kan de behuizing worden schoongemaakt met een vochtige, zachte doek.

Leegmaken van de stofbak en schoonmaken van de filters

1. Verwijder de stofbak van het apparaat door het een kwartslag tegen de klok in te draaien en het eruit te trekken.
2. Druk op de verwijder knop op de stofbak en leeg de stofbak boven de prullenbak.
3. Haal de filters uit de stofbak: Draai het stoffilter ongeveer een kwartslag tegen de klok in en verwijder beide filters. Klop de filters uit boven de prullenbak.
4. Indien nodig, maak de stofbak en de filters schoon met schoon, handwarm water.
5. Laat alles goed drogen voor het assembleren.

LET OP: In geen geval de filters plaatsen als ze nog vochtig zijn. Volg de stappen in tegenovergestelde richting om weer te assembleren. Controleer dat de openingen in de stofbak overeenkomen met de uitstulpingen op de hoofd unit. Anders zal de stofbak niet goed op zijn plaats blijven zitten.

6. Bewaar het apparaat en de accessoires in een droge ruimte, uit de zon en niet bereikbaar voor kinderen en dieren. Als u het apparaat voor langere tijd niet gaat gebruiken, verwijder de accu voor de veiligheid (zie hoofdstuk "Verwijderen van de accu").

V. Probleemoplossing

Als het apparaat niet goed werkt, kijk dan eerst of u zelf het probleem kunt oplossen.

Niet proberen het apparaat zelf te repareren!

PROBLEEM	MOGELIJKE REDEN	MOGELIJKE OPLOSSING
Hand stofzuiger werkt niet	<ol style="list-style-type: none">1. De accu is leeg2. De accu is kapot (hij houdt geen lading meer vast)3. De contactpunten tussen de unit en het laadstation zijn smerig4. Geen stroom in het stopcontact waar de stekker in zit5. De oplader is aangesloten	<ol style="list-style-type: none">1. Laad de accu op2. Voer de accu af3. Veeg de contactpunten schoon4. Controleer zekering of stop, vervang of reset zekering/stop5. Maak de oplader los
Gemotoriseerde borstel werkt niet	<ol style="list-style-type: none">1. De zuiger is geblokkeerd met vuil of touw2. De riem is gebroken3. Het laadstation/hand stofzuiger is niet correct geplaatst.	<ol style="list-style-type: none">1. Verwijder het vuil van de zuiger. Als er een touw of lint is vastgedraaid, verwijder het met een schaar2. Bel de klantenservice3. Plaats het laadstation/hand stofzuiger op de juiste manier.
Hand stofzuiger zuigt niet of heel erg zwak	<ol style="list-style-type: none">1. De stofbak is vol2. Het filter in de stofbak moet worden schoongemaakt of vervangen3. Het apparaat moet worden opgeladen	<ol style="list-style-type: none">1. Leeg de stofbak2. Verwijder het filter in de stofbak en kijk of er iets in zit en verwijder dit. Maak het filter van de stofbak schoon of vervang het3. Laad de accu op
Stof ontsnapt uit de stofzuiger	<ol style="list-style-type: none">1. De stofbak is vol2. Het filter van de stofbak is niet goed geplaatst3. Gaatje/scheur in het filter van de stofbak	<ol style="list-style-type: none">1. Leeg de stofbak2. Bekijk de instructies voor het plaatsen van het filter in de stofbak3. Vervang het filter van de stofbak
Accu houdt lading niet vast	<ol style="list-style-type: none">1. De accu is kapot	Bel de klantenservice

Verwijderen van de accu

■ Niet de accu open maken; er is een risico op kortsluiting; irriterende dampen of bijtende vloeistoffen kunnen dan vrij komen.

■ Stel de accu niet bloot aan intensief zonlicht, warmte of vuur; er is een risico op explosie.

Het apparaat heeft een oplaadbare accu; die moet verwijderd worden voor u het apparaat afvoert.

1. De oplaadbare accu zit onderaan de hoofd unit.
2. Druk op de vergrendeling van de accu (zie afbeelding) en verwijder het.
3. Voer de accu af op een milieubewuste manier (inzamelpunt of verkoper).

Voer het apparaat af op een milieubewuste manier. Het mag niet worden afgevoerd met het normale huishoudelijk afval. Lever het af bij een recyclingbedrijf voor gebruikte elektronische apparaten. U kunt hier meer informatie over vinden bij u gemeente.

Accu's en batterijen moeten worden verwijderd en apart worden ingeleverd voor u het apparaat inlevert. Om het milieu te beschermen mogen accu's en batterijen niet bij het normale huishoudelijk afval. In plaats daarvan moeten ze worden ingeleverd bij de juiste inleverpunten. Houd ook rekening met de plaatselijke regelgeving over de afvoer van accu's.

MILIEU

ATTENTIE:



Dit apparaat mag niet met uw ander huishoudelijke toestellen worden verwijderd. Dit product moet op een geselecteerde stortplaats verwijderd worden. U kunt bij de gemeente een indiceerde plaats aanvragen. Elektrisch en elektronische producten kunnen gevaarlijke stoffen inhouden die schadelijk zijn voor mensen en het milieu en moet recycled worden. Het symbool aan de kant geeft aan dat het een elektrisch en elektronisch toestel is en zijn dus artikelen van een selectieve collectie. Het beeld geeft een afvalbak met een X teken aan.

Adeva SAS / H.Koenig Europe - 8 rue Marc Seguin - 77290 Mitry Mory - France

www.hkoenig.com - sav@hkoenig.com - contact@hkoenig.com - Tél: +33 1 64 67 00 01

ESPAÑOL

Estimado cliente,

nos complace que haya adquirido esta aspiradora de mano accionada por batería. Antes de utilizar la aspiradora por primera vez, lea atentamente las instrucciones contenidas en este manual y guárdelo para consultas futuras.

Si le cede la aspiradora a otra persona, asegúrese de entregarle también el manual de instrucciones.

¡El fabricante y el distribuidor no asumen ninguna responsabilidad por cualquier tipo de daño derivado del incumplimiento de estas instrucciones!

Observación: el diseño que se muestra en las ilustraciones del manual puede ser ligeramente diferente al diseño real de su aspiradora.

Uso previsto

- Este aparato está diseñado para la limpieza por aspiración de superficies secas.
- Bajo ninguna circunstancia use el aparato para aspirar lo siguiente:
 - Cenizas humeantes o latentes, colillas de cigarrillos, fósforos, etc.
 - Materiales inflamables o combustibles.
 - Polvos muy finos (por ejemplo, polvo de cemento), cenizas o rellenos de tóner.
 - Objetos puntiagudos y duros, tales como fragmentos grandes de vidrio.
 - Líquidos o suciedad húmeda.
- La aspiradora está prevista para uso doméstico, no comercial.
- Use la aspiradora únicamente como se describe en este manual de instrucciones. Cualquier otra forma de uso es considerada inapropiada.
- La garantía no cubre ningún defecto o daño como resultado de la manipulación incorrecta o intentos de reparación. Esto también se aplica al desgaste normal de la aspiradora.

I. Instrucciones de seguridad

- Esta aspiradora puede ser usada por niños mayores de 8 años y personas con discapacidad física, sensorial o motora, o con falta de experiencia y conocimiento, siempre que sean supervisados o hayan sido instruidos en el uso del aparato de manera segura y hayan entendido los peligros involucrados.
- Los niños no deben jugar con la aspiradora.

- Los niños no deben dejarse a cargo de la limpieza ni del mantenimiento de la aspiradora.
- ¡Mantenga la aspiradora y su cable de alimentación fuera del alcance de animales y de niños con menos de 8 años de edad!
- Vigile a los niños para garantizar que no jueguen y/o se lesionen ellos mismos con la aspiradora.
- Siempre use y guarde la aspiradora fuera del alcance de niños y animales. El uso inadecuado de la aspiradora puede provocar lesiones y descargas eléctricas. El cable de alimentación también se debe mantener fuera del alcance de niños y animales.
- Antes de montar, desmontar o limpiar la aspiradora, desconéctela del tomacorriente.
- Recargue la batería únicamente con el cargador y la estación de carga que se incluyen con la aspiradora. No use el cargador ni la estación de carga para cargar otro dispositivo que no sea esta aspiradora de mano.
- Nunca sumerja la aspiradora, su cable de alimentación o el cargador en agua u otros líquidos y asegúrese de que estos no corran el riesgo de caer en agua ni mojarse por accidente.
- Si el cable de alimentación o el cargador están deteriorados, deben ser remplazados por el fabricante, en el centro de atención al cliente, o por una persona cualificada (por ejemplo, técnico de un taller especializado) para evitar cualquier peligro.

Para prevenir lesiones

- Mantenga la aspiradora y el material de embalaje fuera del alcance de niños y animales. ¡Peligro de lesiones personales y asfixia!

- No use la aspiradora si presenta cualquier desperfecto.
- Durante el uso, mantenga la boquilla de aspiración alejada de las partes del cuerpo y mascotas. Estas pueden quedar atrapadas en la aspiradora. Si la aspiradora se adhiere a la superficie, apáguela inmediatamente por el interruptor ON/OFF.

Para prevenir descargas eléctricas e incendios

- Siempre enchufe el cargador a un tomacorriente de pared debidamente instalado con conexión a tierra. El tomacorriente debe de estar siempre a su alcance para que pueda desconectar la aspiradora rápidamente en caso de emergencias. La tensión de su red eléctrica debe corresponder a la indicada en la placa de características de la aspiradora. Puede usar cables de extensión siempre que cumplan las exigencias técnicas de la aspiradora o del cargador.
- Si la aspiradora cae dentro del agua, desconecte el cable de alimentación inmediatamente. ¡Nunca trate de sacar la aspiradora del agua estando conectada al tomacorriente!
- Nunca toque la aspiradora, el cable de alimentación o el cargador con las manos mojadas estando el cable conectado al tomacorriente.
- Apague la aspiradora y desenchufe el cargador del tomacorriente cuando no esté en uso, antes de una tormenta, si ocurre cualquier falla durante el funcionamiento o si succiona objetos extraños durante la aspiración.
- No use la aspiradora con el cable de alimentación enchufado o conectada a la estación de carga.

- Siempre desenchufe la aspiradora empuñando firmemente el cargador y nunca tirando del cable de alimentación.
- Use la aspiradora solamente en interiores.
- No use la aspiradora en habitaciones que contengan polvo fácilmente inflamable o vapores tóxicos y explosivos.
- No use la aspiradora en ambientes muy húmedos o cerca de materiales inflamables.
- Para su propia seguridad, siempre revise la aspiradora antes de cada uso. ¡No la utilice si el aparato como tal, la batería, el cable de alimentación o el cargador presentan cualquier indicio de daño!

Precauciones con la batería recargable

- La ingestión de baterías recargables o del ácido en su interior puede ser mortal. Procure atención médica de inmediato si ha ingerido cualquiera de estos elementos.
- Antes de insertar la batería en la aspiradora, compruebe si los contactos están limpios y límpielos en caso contrario.
- Utilice únicamente el tipo de batería que se especifica en la placa de características de la aspiradora.
- Si la batería se revienta o presenta fugas, no permita que el ácido haga contacto con su piel, ojos o membranas mucosas. Si esto ocurre, enjuague inmediatamente los sitios afectados con agua potable en abundancia y procure atención médica lo más rápido posible.
- Si una batería presenta fugas, se debe retirar inmediatamente de la aspiradora. Limpie bien los contactos antes de insertar una batería nueva.

- Las baterías no se deben desechar en la basura común y no se deben abrir, arrojar al fuego, sumergir en líquidos ni poner en cortocircuito.

Para prevenir daños materiales y a la propiedad

- Siempre coloque la aspiradora sobre una superficie firme, plana, seca y resistente al calor.
- Acomode el cable de alimentación de modo que no suponga un peligro de tropiezo.
- Asegúrese de que el cable de alimentación no se pellizque, se tuerza o pase por bordes afilados y que no entre en contacto con superficies calientes.
- Mantenga una distancia prudente de fuentes de calor, tales como hornos o estufas, para proteger la aspiradora. No coloque ninguna llama abierta, tal como velas encendidas, en las proximidades de la aspiradora, el cable de alimentación, la batería o el cargador.
- Evite que la aspiradora se caiga y no la someta a vibraciones fuertes.
- No arrastre, recoja o levante la aspiradora tirando del cable de alimentación.
- No someta la aspiradora a temperaturas extremas, cambios severos de temperatura, humedad, vapores o a la acción directa de la luz solar.
- No utilice productos de limpieza corrosivos o abrasivos para limpiar la aspiradora, estos pueden deteriorar la superficie.
- ¡Use la aspiradora únicamente después de haberla montado completa y correctamente! El depósito de polvo y el filtro deben estar en su lugar. ¡Los filtros deben estar en perfecto estado, sin daños!

- No introduzca nada en las aberturas/boquillas de la aspiradora y asegúrese de que no estén obstruidas.
- Vacíe el depósito de polvo después de cada uso. También debe limpiar los filtros periódicamente para evitar que el motor realice demasiado esfuerzo.
- Utilice únicamente los accesorios recomendados por el fabricante.

II. Contenido y descripción general del producto

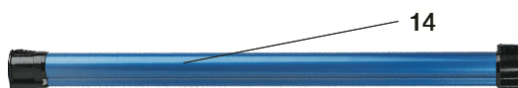


1. LED del nivel de carga de la batería
2. Interruptor ON/OFF
3. Unidad principal/motor
4. Batería recargable (extraíble)
5. Tapa del depósito de polvo
6. Filtro de polvo (situado en el interior del depósito de polvo)



7. Depósito de polvo
8. Abertura de succión
9. Boquilla de aspiración para el piso
10. Boquilla de aspiración con cepillo
11. Boquilla de aspiración para baldosas
12. Adaptador de boquillas (este siempre se conecta primero a la abertura de succión)
13. Cargador con cable de alimentación

No mostrados:



- Filtro HEPA (en el interior del filtro de polvo)
 - Estación de carga
14. Tubo eléctrico

Accesorios



Boquilla de aspiración para el piso:

Esta boquilla es adecuada para aspirar tanto alfombras como suelos y pisos lisos.



Boquilla de aspiración para baldosas:

Use esta boquilla para aspirar la suciedad y el polvo. Es adecuada para la aspiración de cojines, almohadones y el interior de coches. Es perfecta para áreas de difícil acceso, tales como esquinas, nichos, huecos o rendijas.



Boquilla de aspiración con cepillo:

Use esta boquilla para aspirar cualquier tipo de objeto, muebles, lámparas, umbrales de ventanas, persianas, molduras y zócalos con superficies irregulares, así como objetos delicados tales como marcos de cuadros, pantallas de lámparas, teclados, libros, etc.

III. Instrucciones de uso

Guarde el material de embalaje fuera del alcance de niños y animales. ¡Peligro de asfixia!

1. Desempaque todos los componentes, retire las envolturas y el material de embalaje que protege la aspiradora, verifique que el contenido del producto esté completo (consulte el capítulo “Contenido y descripción general del producto”) y que no se haya dañado durante la transportación. ¡Si detecta cualquier anomalía en los componentes, no los utilice! En ese caso, entre en contacto con nuestro centro de atención al cliente.

2. Cargue la batería recargable (consulte el capítulo “Recarga de la batería”).

Recarga de la batería

- Desenchufe el cargador del tomacorriente cuando no pretenda utilizar la aspiradora durante un largo período.

- **Cargue la batería completamente antes de usarla por primera vez para una mayor eficiencia. Para la carga máxima se requieren de 4 a 5 horas, aproximadamente.**

- **Si la batería se agota por completo después del uso, tardará aproximadamente de 4 a 5 horas para volver a adquirir la carga máxima.**

1. Extraiga la batería de la aspiradora de mano: presione el pestillo en la batería (vea la foto) y sáquela de su lugar.

2. Coloque la batería en la estación de carga.

3. Primero conecte el cable de alimentación del cargador a la entrada de la estación de carga y luego enchufe el cargador a un tomacorriente debidamente instalado y de fácil acceso.

4. Los LEDs de color verde y rojo en la estación de carga se iluminarán, indicando que el proceso de carga de la batería ha comenzado.

5. Deje que la batería se recargue durante unas 4 o 5 horas para alcanzar la carga máxima. Cuando el LED rojo se apague y el verde permanezca encendido, la batería está completamente cargada.

6. Primero desenchufe el cargador del tomacorriente y luego desconéctelo de la estación de carga.

7. Retire la batería de la estación de carga y vuelva a insertarla en la aspiradora.

Uso de la aspiradora

- Nunca acerque las boquillas a su cuerpo durante el uso y nunca introduzca sus extremidades en las boquillas. Puede ser succionado por la aspiradora y pudiera resultar herido. Si la aspiradora se adhiere a la superficie, apáguela inmediatamente.

- Nunca acerque las boquillas a los animales durante el uso. No intente aspirar animales con la aspiradora. Las mascotas pueden quedar atrapadas en la aspiradora y pudieran resultar heridas. Si la aspiradora se adhiere a la superficie, apáguela inmediatamente.

- Asegúrese de que el área que vaya a aspirar esté libre de objetos grandes y puntiagudos.

- Nunca use el aparato para aspirar lo siguiente:

- Cenizas humeantes, colillas de cigarrillos, fósforos, etc.
- Materiales inflamables o combustibles.
- Polvos muy finos tales como cemento, cenizas o rellenos de tóner.
- Objetos puntiagudos y duros tales como fragmentos grandes de vidrio.
- Líquidos o suciedad húmeda.

- Siempre vacíe y limpie el depósito de polvo después de cada uso (consulte el capítulo “Limpieza y conservación”).

- No utilice la aspiradora con el cable conectado y el cargador enchufado al tomacorriente.

1. Acople el adaptador de boquillas a la abertura de succión de la aspiradora.
2. Si lo desea, conecte el tubo o la manguera de extensión al adaptador de boquillas.
3. Conecte la boquilla deseada en el extremo del tubo de extensión. Las boquillas también se pueden conectar directamente al adaptador de boquillas, sin colocar el tubo de extensión.
4. Encienda la aspiradora. Esto se puede hacer de dos maneras:
 - Manteniendo el interruptor ON/OFF parcialmente presionado. La aspiradora se apagará cuando libere el interruptor.
 - Pulsando firmemente el interruptor ON/OFF una sola vez. Para apagar la aspiradora, vuelva a oprimir el interruptor.
5. La aspiradora comenzará la succión inmediatamente.

6. Pase la aspiradora sobre el área que vaya a limpiar.
7. Apague la aspiradora cuando termine.
8. Si desea retirar las boquillas, simplemente tire de ellas para sacarlas del adaptador de boquillas o del tubo de extensión.

IV. Limpieza y conservación

- ¡Asegúrese de desconectar la aspiradora del tomacorriente antes de efectuar la limpieza!
- Nunca sumerja la aspiradora, el cargador, la batería recargable o el cable de alimentación en agua u otros líquidos.
- Asegúrese de desconectar la aspiradora del tomacorriente antes de vaciar el depósito de polvo.
- Nunca use jabón u otros detergentes para fregar el filtro de polvo o el filtro HEPA. Estos productos pueden deteriorar los filtros.
- ¡Los filtros no se pueden fregar en máquinas de lavar, lavavajillas o secadoras! Solo deje secar los filtros al aire libre y en ningún caso utilice un secador de cabellos.
- ¡Vuelva a montar la aspiradora solamente cuando todos los accesorios estén completamente secos!
- No use productos corrosivos o abrasivos para limpiar la carcasa de la aspiradora. Estos productos pueden dañar la superficie. Si es necesario, limpie la carcasa con un paño suave húmedo.

Para vaciar el depósito de polvo y limpiar los filtros

1. Retire el depósito de polvo girándolo aproximadamente un cuarto de vuelta en sentido antihorario y luego sáquelo de la aspiradora.

2. Abra la tapa del depósito de polvo y vacíe su contenido en el cesto de basura.

3. Retire los filtros del interior del depósito de polvo: gire el filtro aproximadamente un cuarto de vuelta en sentido antihorario y saque ambos filtros del depósito. Sacuda los filtros en un cesto.

4. Si es necesario, limpie el depósito de polvo y los filtros con agua limpia tibia.

5. Espere que todos los accesorios se sequen completamente antes de montarlos en la aspiradora.

ATENCIÓN: nunca monte los filtros aun estando húmedos. Siga los pasos en sentido inverso para montar los filtros. Asegúrese de que los retenes del depósito de polvo encajen correctamente en las ranuras de la unidad principal. De lo contrario, el depósito de polvo no acoplará correctamente en su lugar.

6. Guarde la aspiradora y todos sus accesorios en un lugar seco, protegido de la luz y fuera del alcance de niños y animales. Si no pretende utilizar la aspiradora durante un largo período, extraiga la batería de la aspiradora y guárdela por separado en un lugar seguro (consulte la sección “Extracción de la batería”).

Extracción de la batería

- No abra la batería; riesgo de crear un cortocircuito; también se pueden expeler vapores irritantes o líquidos corrosivos.

- No exponga la batería a la luz solar intensa, calor o fuego; riesgo de explosión.

Esta aspiradora funciona con una batería recargable; debe extraer y separar la batería antes de desechar su aspiradora vieja.

1. La batería se encuentra en la parte inferior de la unidad principal, debajo del mango.
2. Presione el pestillo de la batería para liberarla (vea la foto) y sáquela de la aspiradora.
3. Deseche la batería en conformidad con las normas de protección al medio ambiente (puntos de recogida o distribución).

Deseche la aspiradora de forma amistosa con el medio ambiente. No deseche la aspiradora junto con los residuos domésticos habituales. Descarte el aparato en algún centro de reciclaje especializado en equipos electro-electrónicos. Puede obtener más información al respecto dirigiéndose a los órganos de dirección locales.

Las pilas y las baterías recargables se deben retirar de los equipos electrodomésticos y se deben desechar por separado. Para proteger el medio ambiente, las pilas y las baterías recargables no se deben eliminar junto con los residuos domésticos habituales. En cambio, deben ser entregadas en los puntos de recolección apropiados. También tenga en cuenta las disposiciones legales vigentes en su localidad para la eliminación de baterías.

V. Solución de problemas

Si la aspiradora no está funcionando correctamente, compruebe si puede remediar la situación usted mismo antes de acudir por ayuda especializada.

¡No intente reparar por sí mismo ningún desperfecto técnico en la aspiradora!

PROBLEMA	CAUSA POSIBLE	POSIBLE SOLUCIÓN
La aspiradora no funciona	<ol style="list-style-type: none">1. Batería descargada2. Batería agotada o vencida (no retiene la carga)3. Suciedad en los contactos de la unidad principal o en la estación de carga4. No hay energía eléctrica en el tomacorriente del cargador5. El cargador está conectado	<ol style="list-style-type: none">1. Recargue la batería2. Sustituya la batería3. Limpie bien la suciedad en los contactos de la batería4. Compruebe los fusibles o disyuntores de su red eléctrica y tome las medidas necesarias5. Desenchufe el cargador del tomacorriente
El cepillo mecánico no funciona	<ol style="list-style-type: none">1. Los filamentos del cepillo están trabados por escombros o hilos2. La correa está rota3. La posición de trabajo de la aspiradora no es la más correcta	<ol style="list-style-type: none">1. Retire los residuos del cepillo. Si hay hilos enredados, córtelos suavemente con una tijera.2. Llame al centro de atención al cliente para revisar la correa3. Coloque la aspiradora en la posición de trabajo correcta
La aspiradora no recoge el polvo o la succión es muy débil	<ol style="list-style-type: none">1. El depósito de polvo está lleno2. El filtro del depósito de polvo puede estar sucio o deteriorado3. La batería tiene poca carga	<ol style="list-style-type: none">1. Vacíe el depósito de polvo2. Retire el filtro del depósito de polvo y elimine cualquier suciedad en el conducto de aire. Limpie o reemplace el filtro3. Recargue la batería
La aspiradora no está reteniendo el polvo en el depósito	<ol style="list-style-type: none">1. El depósito de polvo está lleno2. El filtro del depósito de polvo no está montado correctamente3. Perforación o grieta en el filtro del depósito de polvo	<ol style="list-style-type: none">1. Vacíe el depósito de polvo2. Revise las instrucciones de instalación del filtro3. Reemplace el filtro del depósito de polvo
La carga de la batería dura muy poco	La batería puede haber llegado al fin de su vida útil	Llame al centro de atención al cliente

MEDIO AMBIENTE

ATENCIÓN:



No se deshaga de este producto como lo hace con otros productos del hogar. Existe un sistema selectivo de colecta de este producto puesto en marcha por las comunidades, debe de informarse en su ayuntamiento acerca de los lugares en los que puede depositar este producto. De hecho, los productos eléctricos y electrónicos pueden contener sustancias peligrosas que tienen efectos nefastos para el medio ambiente o para la salud humana y deben ser reciclados. El símbolo aquí presente indica que los equipos eléctricos o electrónicos deben de ser cuidadosamente seleccionados, representa un recipiente de basura con ruedas marcado con una X.

Adeva SAS / H.Koenig Europe - 8 rue Marc Seguin, 77290 Mitry-Mory, France
www.hkoenig.com - sav@hkoenig.com - contact@hkoenig.com - Tél: +33 1 64 67 00 01

ITALIANO

Gentile cliente,

Siamo lieti che abbiate scelto questo aspirapolvere portatile a batteria.

Prima di utilizzare il dispositivo per la prima volta, si prega di leggere attentamente le istruzioni e conservarle per riferimenti futuri.

Queste istruzioni devono accompagnare il dispositivo quando quest'ultimo viene trasferito ad altri soggetti.

Il produttore e l'importatore non si assumono alcuna responsabilità nel caso in cui non vengano osservate queste istruzioni!

Notare che: Le illustrazioni in queste istruzioni possono variare leggermente dal dispositivo reale.

Uso corretto

- Questo dispositivo va utilizzato per l'aspirazione di superfici asciutte.
- Non aspirare in nessun caso:
 - Cenere fumante, mozziconi di sigarette, fiammiferi, ecc,
 - Materiali infiammabili,
 - Polveri molto fini (ad esempio polvere di cemento), cenere o toner,
 - Oggetti duri e taglienti come schegge di vetro grandi,
 - Liquidi o sporcizia bagnata.
- Il dispositivo è destinato per uso domestico e non commerciale.
- Utilizzare il dispositivo solo come descritto in questo manuale di istruzioni. Ogni altro uso è considerato improprio.
- I difetti derivanti da uso improprio, danni o tentativi di riparazione sono esclusi dalla garanzia. Ciò vale anche per la normale usura.

I. Note di sicurezza

■ Questo dispositivo può essere utilizzato da bambini di età superiore agli 8 anni e da parte di persone con ridotte capacità fisiche, sensoriali o mentali o senza esperienza e / o conoscenza solo se sono sorvegliati o hanno ricevuto istruzioni su come utilizzare il dispositivo in modo sicuro e ne hanno capito il pericoli derivanti.

■ I bambini non possono giocare con il dispositivo.

■ La pulizia e manutenzione utente non possono essere effettuate da parte dei bambini.

■ I bambini di età inferiore agli 8 anni di età e gli animali devono essere tenuti lontani dal dispositivo e dal cavo di collegamento!

■ I bambini devono essere sorvegliati per garantire che non giochino e/o si feriscono con il dispositivo.

■ Utilizzare e lasciare il dispositivo fuori dalla portata di bambini e animali. L'uso improprio può causare lesioni o scosse elettriche. Il cavo di rete deve essere tenuto fuori dalla portata dei bambini e degli animali.

■ Il dispositivo deve sempre essere scollegato dalla rete elettrica quando viene lasciato incustodito e prima del montaggio, lo smontaggio e la pulizia.

■ Caricare la batteria ricaricabile solo con l'adattatore di rete in dotazione e la stazione di ricarica. Non ricaricare dispositivi diversi dall'aspirapolvere portatile con l'adattatore di rete e la stazione di ricarica.

■ Non immergere il dispositivo, il cavo di rete o la spina in acqua o altri liquidi e garantirsi che essi non possano cadere in acqua o bagnarsi.

■ Se il dispositivo, il cavo di collegamento o la spina del dispositivo sono danneggiati, devono essere sostituiti dal produttore, dal servizio clienti o da una persona altamente qualificata (ad esempio un laboratorio specializzato) al fine di evitare eventuali pericoli.

Rischi di lesioni

■ Tenere i bambini e gli animali lontano dal materiale d'imballaggio. C'è pericolo di lesioni e soffocamento!

■ Non utilizzare il dispositivo se è danneggiato.

■ Durante l'uso, mantenere gli ugelli lontano da parti del corpo e animali domestici. Essi potrebbero essere

intrappolati nell'aspirapolvere. Se l'aspirapolvere si attacca accidentalmente, spegnerlo immediatamente con l'interruttore on / off.

Rischio di scosse elettriche e incendi

- Collegare l'alimentatore ad una presa installata con messa a terra.

La presa deve essere facilmente accessibile dopo il collegamento in modo che il collegamento alla rete possa essere rapidamente scollegato. La tensione di rete deve corrispondere ai dati tecnici del dispositivo. Utilizzare solo prolunghe adeguate, i cui dati tecnici corrispondono a quelli dell'adattatore del dispositivo o della rete.

- Se il dispositivo cade in acqua, scollegare immediatamente l'alimentazione. Non tentare di estrarre il dispositivo fuori dall'acqua quando è collegato alla rete elettrica!

- Non toccare il dispositivo, il cavo di alimentazione e l'adattatore di rete con le mani bagnate quando tali componenti sono collegati alla rete di alimentazione.

- Spegnere il dispositivo e staccare la presa

- se si finisce di usarlo,

- prima di una tempesta,

- se un errore o un guasto si verificano durante il funzionamento,

- Se corpi estranei entrano nel dispositivo.

- Non utilizzare il dispositivo se è ancora collegato alla presa o alla fonte di alimentazione.

- Tirare sempre la presa e non sul cavo di alimentazione.

- Utilizzare il dispositivo solo in ambienti chiusi.

- Non utilizzare il dispositivo in ambienti con presenza di polveri facilmente infiammabili o vapori tossici ed esplosivi.
- Non utilizzare il dispositivo in un ambiente molto umido o nelle vicinanze di materiale infiammabile.
- Per la vostra sicurezza, controllare sempre che il dispositivo non abbia danni prima di utilizzarlo. Utilizzare il dispositivo solo se quest'ultimo, la batteria ricaricabile, il cavo di alimentazione e la spina non presentano alcun danno!

Pericolo batterie ricaricabili

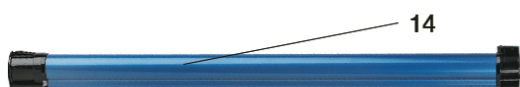
- Le batterie ricaricabili possono essere mortali se ingerite. Rivolgersi immediatamente al medico se una batteria è stata ingerita.
- Prima di inserire la batteria, controllare se i contatti siano puliti e pulirli se necessario.
- Utilizzare solo il tipo di batteria specificato nei dati tecnici.
- Se la batteria è deteriorata, non consentire il contatto con la pelle, gli occhi e le mucose con l'acido della batteria. Se si tocca l'acido della batteria, lavare le zone interessate con abbondante acqua fresca immediatamente e contattare un medico il prima possibile.
- Rimuovere immediatamente la batteria deteriorata dal dispositivo. Pulire i contatti prima di inserire una nuova batteria.
- La batteria non deve essere smontata, gettata nel fuoco, immersa in liquidi o cortocircuitata.

Evitare danni a materiali, proprietà e dispositivo

- Posizionare sempre il dispositivo su una superficie asciutta, livellata, stabile e resistente al calore.
- Sistemare il cavo dell'adattatore di rete in modo che esso non costituisca un pericolo.
- Assicurarsi che il cavo di alimentazione non venga schiacciato, piegato né posato su spigoli vivi e non venga a contatto con superfici calde.
- Mantenere una distanza sufficiente da fonti di calore come stufe o forni per evitare danni al dispositivo. Non collocare fiamme, per esempio candele, nelle immediate vicinanze dell' adattatore, del cavo, della batteria e della rete elettrica ricaricabile del dispositivo.
- Non permettere al dispositivo di cadere e non sottoporlo a forti percussioni.
- Non tirare o trasportare il dispositivo dal cavo dell'adattatore di rete.
- Non sottoporre l'apparecchio a temperature estreme, gravi sbalzi di temperatura, umidità, umidità o luce solare diretta.
- Non utilizzare detergenti corrosivi o abrasivi per pulire il dispositivo. Potrebbero danneggiare la superficie.
- Utilizzare solo il dispositivo se è stato assemblato completamente e correttamente! Il bidone e il filtro polvere devono essere montati correttamente. I filtri non possono essere danneggiati!
- Non inserire oggetti nelle aperture / ugelli del dispositivo e fare in modo che essi non siano otturati.
- Svuotare il contenitore della polvere dopo ogni uso. I filtri devono essere puliti regolarmente per evitare che il motore venga sovraccaricato.

■ Utilizzare solo gli accessori consigliati dal produttore.

II. Contenuto della confezione e panoramica apparecchio



- 1 Luce di controllo di carica
 - 2 On / Off
 - 3 Gruppo motore / unità principale
 - 4 Batteria ricaricabile (rimovibile)
 - 5 Coperchio contenitore della polvere
 - 6 Filtro polvere (situato all'interno del contenitore polvere)
 - 7 Contenitore polvere
 - 8 Apertura di aspirazione
 - 9 Bocchetta per pavimenti
 - 10 Bocchetta spazzola
 - 11 Bocchetta fessure
 - 12 Adattatore ugello (è sempre collegato all'apertura di aspirazione)
 - 13 Adattatore di rete
- Non mostrato
- Filtro HEPA (nel filtro della polvere)
 - Stazione di ricarica
 - 14 Tubo elettrico

Accessori:

Bocchetta per pavimenti



L'ugello pavimento è adatto sia per tappeti che per pavimenti lisci.

Bocchetta fessure



Utilizzare la bocchetta fessure per aspirare polvere e sporcizia. È adatta per i cuscini, per pulire l'interno di autoveicoli ed è perfetta per punti difficili da raggiungere zone come angoli, nicchie o fessure.

Bocchetta spazzola



Utilizzare la bocchetta spazzola per tutti gli oggetti, mobili, lampade, davanzali, profili e battiscopa con superfici irregolari così come oggetti delicati come cornici, paralumi, tastiere, libri, ecc

III. Uso del prodotto

Tenere i bambini e gli animali lontano dal materiale di imballaggio. Vi è pericolo di soffocamento!

1. Disimballare tutte le parti, rimuovere le pellicole e i fermi di trasporto e assicurarsi che il contenuto della confezione sia completo (vedi capitolo “Contenuto della confezione e panoramica apparecchio”) e verificare la presenza di eventuali danni da trasporto. Se si notano danni ai componenti, non usarli (!), Contattare il nostro servizio di assistenza clienti.
2. Caricare la batteria ricaricabile (vedi capitolo “Carica della batteria ricaricabile”).

Carica della batteria ricaricabile

■ Estrarre l'alimentatore dell'aspirapolvere dalla presa di corrente se non la si usa per un periodo prolungato.

■ **Caricare completamente la batteria ricaricabile prima dell'uso. La carica richiede circa 4/5 ore.**

■ **Se la batteria ricaricabile è completamente scarica dopo l'uso, ci vorranno circa 4/5 ore per ricaricare la batteria ricaricabile.**

1. Rimuovere la batteria ricaricabile dal dispositivo: Premere il fermo sulla batteria ricaricabile (vedi foto) e rimuoverlo.

2. Inserire la batteria ricaricabile nella stazione di carica.

3. Prima collegare il connettore cilindrico dell'adattatore di rete alla presa della stazione di ricarica e quindi collegarlo ad una presa correttamente installata, facilmente accessibile.

4. La spia verde e rossa sulla stazione di ricarica si illuminano. Verrà avviata la carica della batteria ricaricabile.

5. Lasciare la batteria ricaricabile in carica dispositivo per circa 4/5 ore per raggiungere la massima carica.

Quando solo la spia verde sarà accesa, la batteria ricaricabile sarà completamente carica.

6. Scollegare prima l'alimentatore dalla rete elettrica e poi il connettore cilindrico dalla stazione di ricarica.

7. Rimuovere la batteria ricaricabile dalla stazione di ricarica e inserirla nel dispositivo.

Funzionamento

■ Durante l'uso, non tenere mai le bocchette vicino a parti del corpo. Il dispositivo si potrebbe attaccare a loro causando ferite. Se l'aspirapolvere si attacca al pavimento, spegnerla immediatamente.

■ Tenere le bocchette a distanza dagli animali durante l'uso. Non cercare di aspirare il pelo degli animali con il dispositivo. Il dispositivo si potrebbe attaccare causando ferite. Se l'aspirapolvere si attacca al pavimento, spegnerla immediatamente.

■ Assicurarsi che non ci siano grandi oggetti appuntiti sulla zona da pulire.

■ Non aspirare mai:

- cenere fumante, mozziconi di sigarette, fiammiferi, ecc,
- materiali infiammabili,
- polveri molto sottili (ad esempio polvere di cemento), cenere o toner,
- oggetti duri e appuntiti come schegge di vetro grandi,
- liquidi e sporcizia bagnata.

■ Svuotare e pulire il contenitore della polvere dopo ogni utilizzo (vedi capitolo "Pulizia e conservazione").

■ Non utilizzare il dispositivo quando è collegato all'adattatore di rete.

1. Attaccare l'adattatore sulla bocchetta di aspirazione.

2. Se lo si desidera, collegare il tubo prolunga all'adattatore.

3. Fissare la bocchetta desiderata al tubo prolunga.

Le bocchette anche essere collegate direttamente senza collegare il tubo prolunga tra loro.

4. Accendere il dispositivo. Questo può essere fatto in due modi:

- Tenendo delicatamente il interruttore on / off verso il basso. Il dispositivo si spegne quando si lascia andare.

- Premendo fermamente l'interruttore On / Off una volta per poi rilasciarlo. Se si desidera spegnere il dispositivo, premere nuovamente l'interruttore On / Off

5. Il dispositivo inizierà immediatamente ad aspirare.

6. Passare il dispositivo sopra la zona da pulire.

7. Spegner il dispositivo.

8. Se si desidera rimuovere le bocchette, basta semplicemente tirarle fuori dall'adattatore o dal tubo prolunga.

IV. Pulizia e conservazione

- Assicurarsi che il dispositivo sia spento prima di pulirlo!
- Non immergere il dispositivo, l'alimentatore, la batteria ricaricabile o il cavo in acqua o altri liquidi.
- Il dispositivo non può essere collegato con l'alimentatore durante la pulizia del contenitore della polvere.
- Non usare mai sapone o altri detergenti per pulire la polvere e il filtro HEPA. In caso contrario, questo potrebbe danneggiare i filtri.
- I filtri non sono adatti per essere lavati in lavatrice, lavastoviglie o asciugatrice!
asciugare i filtri all'aria e non utilizzare mai un asciugacapelli.
- Semplicemente rimontare il dispositivo una volta che tutti i componenti sono asciutti!
- Non utilizzare detergenti corrosivi o abrasivi per pulire l'alloggiamento. Potrebbero danneggiare la superficie. Se necessario, pulire il corpo con un panno morbido e umido.

Svuotamento del contenitore della polvere e pulizia dei filtri

1. Smontare il contenitore della polvere del dispositivo ruotandolo in senso antiorario ed estraendolo.
2. Premere il pulsante di rilascio sul contenitore e svuotarlo nel contenitore per rifiuti.
3. Smontare i filtri dal contenitore della polvere: girare il filtro in senso antiorario e rimuovere entrambi i filtri.
Svuotare i filtri in un contenitore per rifiuti.

4. Se necessario, pulire il contenitore della polvere e dei filtri con acqua tiepida e pulita.

5. Lasciare asciugare completamente le parti prima di assemblarle.

ATTENZIONE: Non inserire i filtri se sono ancora umidi. Invertire i passaggi per assemblarli. Assicurarsi che i fermi sulla pattumiera vengano inseriti nelle corrispondenti aperture sull'unità principale. In caso contrario, il contenitore della polvere non si blocca correttamente nel dispositivo.

6. Conservare il dispositivo e gli accessori in un luogo asciutto al riparo dal sole che non sia accessibile ai bambini e gli animali.

Se non si desidera utilizzare il dispositivo per un periodo prolungato, rimuovere la batteria ricaricabile conservandola in un luogo sicuro (vedere la sezione “Rimozione della batteria ricaricabile”).

V. Risoluzione dei problemi

Se il dispositivo non funziona correttamente, si prega di verificare se si è in grado di risolvere il problema da soli.

Non tentare di riparare un dispositivo difettoso da soli!

PROBLEMA	POSSIBILE CAUSA	POSSIBILE SOLUZIONE
L'aspirapolvere non funziona	<ol style="list-style-type: none">1. La batteria è scarica2. La batteria è morta(batteria non tiene la carica)3. I contatti tra l'apparecchio e il supporto di ricarica sono sporchi4. Nessuna corrente nel trasformatore di alimentazione della presa elettrica5. Caricatore collegato	<ol style="list-style-type: none">1. Caricare il dispositivo2. Smaltire il dispositivo3. Pulire e rimuovere lo sporco dai contatti4. Controllare il fusibile o l'interruttore, sostituire il fusibile / resettare5. Scollegare il caricatore
Le spazzole motorizzata non funzionano	<ol style="list-style-type: none">1. Il meccanismo è bloccato da detriti2. La cinghia è rotta3. La batteria aspirapolvere / non è inserita correttamente.	<ol style="list-style-type: none">1. Rimuovere i residui. Se ci sono stringhe o fili avvolti tagliarli delicatamente con le forbici2. Chiamare il servizio clienti3. Inserire correttamente la batteria
L'aspirapolvere non aspira o la potenza di aspirazione è debole	<ol style="list-style-type: none">1. Il contenitore polvere è troppo pieno2. Il Filtro del contenitore polvere ha bisogno di pulizia o sostituzione3. Necessità di ricarica	<ol style="list-style-type: none">1. Svuotare il contenitore2. Rimuovere il filtro contenitore polvere e controllare il filtro. Pulire o sostituire il filtro del contenitore polvere3. Ricaricare l'unità
Fuoriuscita di polvere dall'aspirapolvere	<ol style="list-style-type: none">1. Il contenitore polvere è pieno2. Il filtro polvere non è installato correttamente3. Buco / foro nel filtro contenitore polvere	<ol style="list-style-type: none">1. Svuotare il contenitore polvere2. Rivedere le istruzioni per l'installazione del filtro antipolvere3. Sostituire il filtro del contenitore polvere
Batteria non tiene carica	<ol style="list-style-type: none">1. La batteria ha raggiunto la durata massima.	Chiamare il servizio clienti

Rimozione della batteria ricaricabile

■ Non aprire la batteria ricaricabile; v'è il rischio di un corto circuito; vapori irritanti o liquidi corrosivi potrebbero anche essere emessi.

■ Non esporre la batteria ricaricabile a luce solare intensa, calore o fuoco; v'è il rischio di esplosione.

Questo dispositivo è dotato di una batteria ricaricabile; deve essere rimossa prima di smaltire il dispositivo.

1. La batteria ricaricabile è situata sul fondo dell'unità principale.
2. Spingere il fermo sul lato della batteria ricaricabile (vedi foto) e rimuoverlo.
3. Smaltire la batteria ricaricabile in modo ecocompatibile (nei punti di raccolta o presso i rivenditori).

Smaltire l'articolo in modo ecologico. Non deve essere smaltito nei rifiuti domestici. Smaltire in un centro di riciclaggio di dispositivi elettrici ed elettronici usati. È possibile ottenere maggiori informazioni dalle autorità locali.

Le batterie ricaricabili e le batterie in generale devono essere rimosse e smaltite separatamente prima di smaltire il dispositivo. Per proteggere l'ambiente, le batterie e gli accumulatori non devono essere smaltiti insieme ai rifiuti domestici. Al contrario, esse devono essere portate presso appositi centri di raccolta. Si prega di osservare le disposizioni di legge che regolano lo smaltimento delle batterie.

AMBIENTE

ATTENZIONE:



Non gettare quest' apparecchio tra i rifiuti domestici. Per questo tipo di prodotti è fornito dai comuni un sistema di raccolta e ritiro in zona ed è quindi un dovere informarsi per conoscere il giusto smistamento del rifiuto. Infatti, i prodotti elettrici ed elettronici possono contenere sostanze pericolose che hanno effetti dannosi sull'ambiente o sulla nostra salute e quindi devono essere riciclati. Il simbolo al lato indica che le apparecchiature elettriche ed elettroniche fanno parte di una raccolta selettiva e differenziata (rappresentata da un bidone su due ruote sbarrato da una croce).

Adeva SAS / H.Koenig Europe - 8 rue Marc Seguin - 77290 Mitry Mory - France

www.hkoenig.com - sav@hkoenig.com - contact@hkoenig.com - Tél: +33 1 64 67 00 01