

# HKoenig

vio2

## Instruction Manual

Manuel d'instructions  
Bedienungsanleitung  
Gebruiksaanwijzing  
Manual de instrucciones  
Manuale d'uso  
Instrukcja obsługi



## Microwave

Micro-Ondes  
Mikrowelle  
Magnetron  
Microondas  
Microonda



## ENGLISH

Please read these instructions carefully before installing and operating the microwave.

### PRECAUTIONS TO AVOID POSSIBLE EXPOSURE TO EXCESSIVE MICROWAVE ENERGY

1. Do not attempt to operate this microwave with the door open since open door operation can result in harmful exposure to microwave energy. It is important not to defeat or tamper with the safety interlocks.
2. Do not place any object between the microwave front face and the door or allow soil or cleaner residue to accumulate on sealing surfaces.
3. Do not operate the microwave if it is damaged. It is particularly important that the microwave door close properly and that there is no damage to the
  - a) Door (bent),
  - b) Hinges and latches (broken or loosened),
  - c) Door seals and sealing surfaces.
4. The microwave should not be adjusted or repaired by anyone except properly qualified service personnel.

### IMPORTANT SAFETY INSTRUCTIONS

When using electrical appliance basic safety precautions should be followed, including the following:

**WARNING:** To reduce the risk of burns, electric shock, fire, injury to persons or exposure to excessive microwave energy:

- Read all instructions before using the appliance and keep for future reference.
- Use this appliance only for its intended use as described in this manual. Do not use corrosive

chemicals or vapors in this appliance. This type of microwave is specifically designed to heat, cook or dry food. It is not designed for industrial or laboratory use.

- Do not operate the microwave when empty.
- Do not operate this appliance if it has a damaged cord or plug, if it is not working properly or if it has been damaged or dropped. If the supply cord is damaged, it must be replaced by the manufacturer or its service agent or a similarly qualified person in order to avoid a hazard.
- **WARNING:** Only allow children to use the microwave without supervision when adequate instructions have been given so that the child is able to use the microwave in a safe way and understands the hazards of improper use.
- To reduce the risk of fire in the microwave cavity:
- When heating food in plastic or paper container, keep an eye on the microwave due to the possibility of ignition.
- Remove wire twist-ties from paper or plastic bags before placing bag in microwave.
- If smoke is observed, switch off or unplug the appliance and keep the door closed in order to stifle any flames.
- Do not use the cavity for storage purposes. Do not leave paper products, cooking utensils or food in the cavity when not in use.
- The microwave microwave is intended for heating food and beverages. Drying of clothing and heating of

warming pads, slippers, sponges, and damp cloth and similar may lead to risk of injury, ignition or fire.

- **WARNING:** Liquid or other food must not be heated in sealed containers since they are liable to explode.
- Microwave heating of beverage can result in delayed eruptive boiling, therefore care has to be taken when handle the container.
- Do not fry food in the microwave. Hot oil can damage microwave parts and utensils and even result in skin burns.
- Eggs in their shell and whole hard-boiled eggs should not be heated in microwave microwaves since they may explode even after microwave heating has ended.
- Pierce foods with heavy skins such as potatoes, whole squashes, apples and chestnuts before cooking.
- The contents of feeding bottles and baby jars should be stirred or shaken and the temperature should be checked before serving in order to avoid burns.
- Cooking utensils may become hot because of heat transferred from the heated food. Potholders may be needed to handle the utensil.
- Utensils should be checked to ensure that they are suitable for use in microwave microwave.
- **WARNING:** It is hazardous for anyone other than a trained person to carry out any service or repair operation which involves the removal of any cover which gives protection against exposure to microwave energy.

- This product is a Group 2 Class B ISM equipment. The definition of Group 2 which contains all ISM (Industrial, Scientific and Medical) equipment in which radio-frequency energy is intentionally generated and/or used in the form of electromagnetic radiation for the treatment of material, and spark erosion equipment. For Class B equipment is equipment suitable for use in domestic establishments and in establishments directly connected to a low voltage power supply network which supplies buildings used for domestic purpose for domestic purpose.
- This appliance is not intended for use by persons with reduced physical, sensory or mental capabilities, or lack of experience and knowledge, unless they have been given supervision or instruction concerning use of the appliance by a person responsible for their safety.
- Children should be supervised to ensure that they do not play with the appliance.
- The microwave microwave is only used in freestanding.
- **WARNING:** Do not install microwave over a range cooktop or other heat-producing appliance. If installed could be damaged and the warranty would be avoid.
- The microwave microwave shall not be placed in a cabinet.
- The door or the outer surface may get hot when the appliance is operating.
- **WARNING:** Accessible parts may become hot during use. Young children should be kept away.

- During use the appliances becomes hot. Care should be taken to avoid touching heating elements inside the microwave, for cooking ranged and microwaves.
- The temperature of accessible surfaces may be high when the appliance is operating.
- The appliance shall be placed against a wall.
- Appliance is not to be used by children or persons with reduced physical, sensory or mental capabilities, or lack of experience and knowledge, unless they have been given supervision or instruction
- **WARNING:** If the door or door seals are damaged, the microwave must not be operated until it has been repaired by a competent person
- The instructions shall state that appliances are not intended to be operated by means of an external timer or separate remote-control system.
- The microwave microwave is for household use only and not for commercial use.
- Never remove the distance holder in the back or on the sides, as it ensures a minimum distance from the wall for air circulation.
- Please secure the turn table before you move the appliance to avoid damages.
- **CAUTION:** It is dangerous to repair or maintain the appliance by no other than a specialist because under these circumstances the cover have to be removed which assures protection against microwave radiation. This applies to changing the power cord or the lighting as well. Send the appliance in these cases to our service centre.

- The microwave microwave is intended for defrosting, cooking and steaming of food only.
- Use gloves if you remove any heated food.
- **Caution!** Steam will escape, when opening lids or wrapping foil.
- This appliance can be used by children aged from 8 years and above and persons with reduced physical, sensory or mental capabilities or lack of experience and knowledge if they have been given supervision or instruction concerning use of the appliance in a safe way and understand the hazards involved. Children shall not play with the appliance. Cleaning and user maintenance shall not be made by children unless they are aged from 8 years and above and supervised.
- Keep the appliance and its power cord out of reach of children under 8 years of age.
- This appliance may be used by children of at least 8 years of age, as long as they are supervised and have been given instructions about using the appliance safely and are fully aware of the dangers involved.
- If smoke is emitted, switch off or unplug the appliance and keep the door closed in order to stifle any flames.
- The device must not be used if it has been dropped, it obvious signs of damage are visible or if it has leaks.
- The user manual can also be checked and download from our website: [www.hkoenig.com](http://www.hkoenig.com)

## READ CAREFULLY AND SAVE FOR FUTURE USE.

- This device is intended for use in domestic and similar applications such as :
  - staff kitchen areas in stores, offices and other professional environments ;
  - farms;
  - guest use in hotels, motels and other residential environments; bed and breakfast type environments.
- Metal containers for food and beverages are not permitted when cooking in microwaves.
- The microwave oven is intended for heating food and beverages. Drying foodstuffs or laundry and heating heating pads, slippers, sponges, wet laundry and similar items may result in the risk of injury, ignition or fire.
- The appliance must not be steam cleaned.

## INSTALLATION

1. Make sure that all the packing materials are removed from the inside of the door.
2. **WARNING:** Check the microwave for any damage, such as misaligned or bent door, damaged door seals and sealing surface, broken or loose door hinges and latches and dents inside the cavity or on the door. If there is any damage, do not operate the microwave and contact qualified service personnel.
3. This microwave microwave must be placed on a flat, stable surface to hold its weight and the heaviest food likely to be cooked in the microwave.
4. Do not place the microwave where heat, moisture, or high humidity are generated, or near combustible materials.
5. For correct operation, the microwave must have sufficient airflow. Allow 20cm of space above the microwave, 10cm at back and 5cm at both sides. Do not cover or block any openings on the appliance. Do not remove feet.
6. Do not operate the microwave without glass tray, roller support, and shaft in their proper positions.
7. Make sure that the power supply cord is undamaged and does not run under the microwave or over any hot or sharp surface.
8. The socket must be readily accessible so that it can be easily unplugged in an emergency.
9. Do not use the microwave outdoors.



## RADIO INTERFERENCE

Operation of the microwave microwave can cause interference to your radio, TV, or similar equipment.

When there is interference, it may be reduced or eliminated by taking the following measures:

1. Clean door and sealing surface of the microwave.
2. Reorient the receiving antenna of radio or television.
3. Relocate the microwave microwave with respect to the receiver.
4. Move the microwave microwave away from the receiver.
5. Plug the microwave microwave into a different outlet so that microwave microwave and receiver are on different branch circuits.

## MICROWAVE COOKING PRINCIPLES

1. Arrange food carefully. Place thickest areas towards outside of dish.
2. Watch cooking time. Cook for the shortest amount of time indicated and add more as needed. Food severely overcooked can smoke or ignite.
3. Cover foods while cooking. Covers prevent spattering and help foods to cook evenly.
4. Turn foods over once during microwave cooking to speed cooking of such foods as chicken and hamburgers. Large items like roasts must be turned over at least once.
5. Rearrange foods such as meatballs halfway through cooking both from top to bottom and from the center of the dish to the outside.

## GROUNDING INSTRUCTIONS

This appliance must be grounded. This microwave is equipped with a cord having a grounding wire with a grounding plug. It must be plugged into a wall receptacle that is properly installed and grounded. In the event of an electrical short circuit, grounding reduces risk of electric shock by providing an escape wire for the electric current. It is recommended that a separate circuit serving only the microwave be provided. Using a high voltage is dangerous and may result in a fire or other accident causing microwave damage.

**WARNING** Improper use of the grounding plug can result in a risk of electric shock.

*Note:*

1. If you have any questions about the grounding or electrical instructions, consult a qualified electrician or service person.
2. Neither the manufacturer nor the dealer can accept any liability for damage to the microwave or personal injury resulting from failure to observe the electrical connection procedures.

The wires in this cable main are colored in accordance with the following code:

**Green and Yellow = EARTH**

**Blue = NEUTRAL**

**Brown = LIVE**

## BEFORE YOU CALL FOR SERVICE

If the microwave fails to operate:

1. Check to ensure that the microwave is plugged in securely. If it is not, remove the plug from the outlet, wait 10 seconds, and plug it in again securely.
2. Check for a blown circuit fuse or a tripped main circuit breaker. If these seem to be operating properly, test the outlet with another appliance.
3. Check to ensure that the control panel is programmed correctly and the timer is set.
4. Check to ensure that the door is securely closed engaging the door safety lock system. Otherwise, the microwave energy will not flow into the microwave.

**IF NONE OF THE ABOVE RECTIFIES THE SITUATION, THEN CONTACT A QUALIFIED TECHNICIAN. DO NOT TRY TO ADJUST OR REPAIR THE MICROWAVE YOURSELF.**

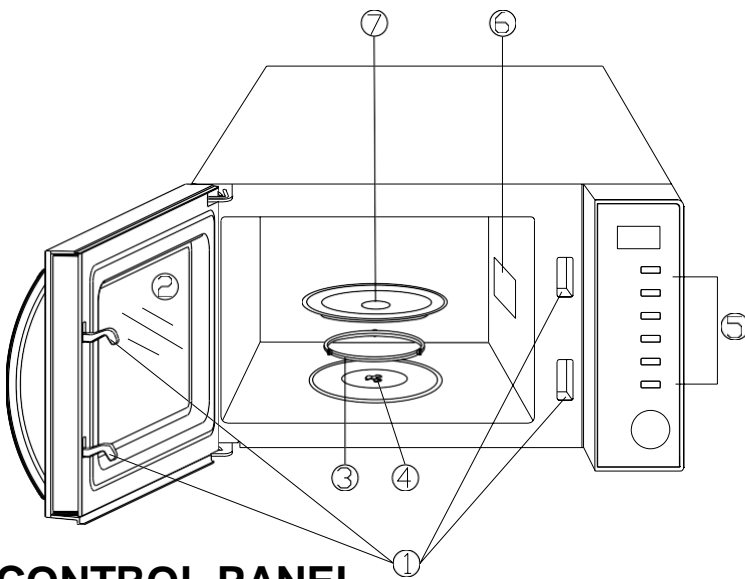
## USTENSILS GUIDE

1. Microwave cannot penetrate metal. Only use utensils that are suitable for use in microwave microwaves. Metallic containers for food and beverages are not allowed during microwave cooking. This requirement is not applicable if the manufacturer specifies size and shape of metallic containers suitable for microwave cooking.
2. Microwave cannot penetrate metal, so metal utensils or dishes with metallic trim should not be used.
3. Do not use recycled paper products when microwave cooking, as they may contain small metal fragments which may cause sparks and/or fires.
4. Round /oval dishes rather than square/oblong ones are recommend, as food in corners tends to overcook.
5. Narrow strips of aluminum foil may be used to prevent overcooking of exposed areas. But be careful don't use too much and keep a distance of 1 inch (2.54cm) between foil and cavity.

The list below is a general guide to help you select the correct utensils.

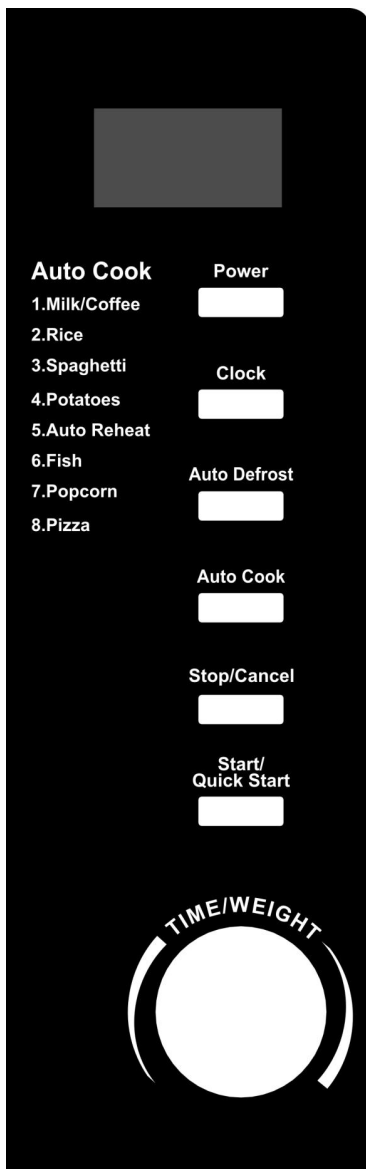
<b>COOKWARE</b>	<b>MICROWAVE</b>
Heat-Resistant Glass	Yes
Non Heat-Resistant Glass	No
Heat-Resistant Ceramics	Yes
Microwave-Safe Plastic Dish	Yes
Kitchen Paper	Yes
Metal Tray	No
Metal Rack	No
Aluminum Foil & Foil Containers	No

## PART NAMES




1. Door Safety Lock System
2. Microwave Window
3. Roller Ring
4. Shaft
5. Control Panel
6. Wave Guide(Please do not remove the mica plate covering the wave guide)
7. Glass Tray

## CONTROL PANEL



- **MENU ACTION SCREEN**  
Cooking time, power, action indicators, and clock time are displayed.
- **POWER**  
Touch this button a number of times to set microwave cooking power level.
- **CLOCK**  
Touch this button to start setting the microwave clock and ending by touching it again.
- **AUTO DEFROST**  
Touch to defrost food by weight.
- **AUTO COOK**  
Press for instant settings to cook popular food,
- **STOP/CANCEL**
  - Press to cancel setting or reset the microwave before setting a cooking program.
  - Press once to temporarily stop cooking, or twice to cancel cooking altogether.
  - It is also used for setting child lock.
- **START/QUICK START**
  - Touch to start a cooking program.
  - Simply touch it a number of times to begin express cooking without previously setting power level and cooking time.
- **TIME/WEIGHT**
  - Turn the dial to enter the microwave clock time or input cooking time.
  - Rotate to specify food weight or number of servings

# HOW TO SET THE MICROWAVE CONTROLS

- When the microwave is first plugged in, the display will show  and "1:01".
- During the setting mode (except quick start cooking), the system will return to waiting mode if there is not any operation within 28 seconds.
- During cooking, if press STOP/CANCEL pad once or open the door, the program will be paused, then press START/QUICK START pad to resume, but if press STOP/CANCEL pad twice, the program will be canceled.
- You do not need to press STOP/CANCEL pad, Microwave cooking, Auto cooking, Weight defrost can be switched between each other.
- During quick start cooking and microwave cooking in process, you can turn TIME/WEIGHT dial to increase or decrease cooking time.
- After ending cooking, the screen will display End with sound every two minutes until user press STOP/CANCEL pad or open the door.
- Each time a button is touched, a beep will sound to acknowledge the touch.

## 1. SETTING DIGITAL CLOCK

With the microwave ready for input, touch the CLOCK button once or twice to set the digital clock in 12 or 24 hours cycle.

*For example:* Suppose you want to set the microwave clock time to 8:30.

1. Press CLOCK button once or twice.
2. Turn TIME/WEIGHT to indicate the hour digit 8.
3. Press CLOCK button.
4. Turn TIME/WEIGHT dial to indicate the minute digits until the screen shows 8: 30.
5. Press CLOCK to confirm the setting.

*Note:* To check clock time during cooking, press the CLOCK button once.

## 2. QUICK START

This feature allows you to start the microwave quickly.

In standby mode, press the START/QUICK START button a number of times to set the cooking time, the microwave starts work at full power level 2 seconds later. The maximum cooking time can be set is 12 minutes.

## 3. MICROWAVE COOKING

For microwave cooking, just press POWER pad a numbers of time enter cooking power level and then turn the TIME/WEIGHT knob enter cooking time. The longest cooking time is 60 minutes. The microwave will start to cook after START/QUICK START pad is pressed.

Select power level by pressing the POWER button:

<b>PRESS POWER BUTTON</b>	<b>COOKING POWER</b>
Once	100%
Twice	80%
3 times	60%
4 times	40%
5 times	20%
6 times	0%

*For example:* Suppose you want to cook for 5 minute at 60% of microwave power.

1. Press POWER button 3 times.
2. Turn TIME/WEIGHT to enter cooking time.
3. Press START/QUICK START button.

*Note:* During microwave cooking, press POWER button to check the present power level. If you want to cook at 100% power level, omit the first step.

#### **4. AUTO DEFROST**

The microwave allows the defrosting of meat, poultry, and seafood. The time and the defrosting power are adjusted automatically once the weight is programmed. The range weight of frozen foods varies between 100g and 1800g.

*For example:* Suppose you want to defrost 600g of shrimp.

1. Place the shrimp to be defrosted into the microwave.
2. Press AUTO DEFROST button once.
3. Turn TIME/WEIGHT dial to choose a weight 600g.
4. Press START/QUICK START button.

*Note:* During defrosting process, the system will pause and sound beeps to remind you to turn over the food in the microwave.

#### **5. CHILD LOCK**

Use to prevent unsupervised operation of the microwave by little children. The CHILD LOCK indicator will show up on display screen, and the microwave cannot be operated while the CHILD LOCK is set.

- To set the CHILD LOCK: Press and hold the STOP/CANCEL button for 3 seconds, a beep sounds and lock indicator lights.
- To cancel the CHILD LOCK: Press and hold the STOP/CANCEL button for 3 seconds until lock indicator on display goes off.

#### **6. AUTO COOK**

For food or the following cooking mode, it is not necessary to program the duration and the cooking power. It is sufficient to indicate the type of food that you wish to cook as well as the weight of this food. During cooking you can check the current cook menu by touching AUTO COOK button.

For example: to cook 400g of fish.

1. Press the AUTO COOK button repeatedly to select menu code of fish 6.
2. Turn TIME/WEIGHT dial to indicate a weight of 400g.
3. Press START/QUICK START button.

#### Auto Cook Menu

MENUS CODE	MENUS	
1	Milk/Coffee(200ml/cup)	<ol style="list-style-type: none"><li>1. Turn TIME/WEIGHT dial to indicate weight of food or number of servings. For milk/coffee and potato, the screen will show the number of servings.</li><li>2. The result of auto cooking depends on factors such as the shape and size of food, your personal preference as to the doneness of certain foods and even how well you happen to place food in the microwave. If you find the result at any rate not quite satisfactory, please adjust the cooking time a little bit accordingly.</li><li>3. For Spaghetti add boiling water before cooking.</li></ol>
2	Rice (g)	
3	Spaghetti (g)	
4	Potatoes (230g/unit)	
5	Auto Reheat (g)	
6	Fish (g)	
7	Popcorn (99g)	
8	Pizza (g)	

## CLEANING AND CARE

- Turn off the microwave and remove the power plug from the wall socket before cleaning.
- Keep the inside of the microwave clean. When food splatters or spilled liquids adhere to microwave walls, wipe with a damp cloth. Mild detergent may be used if the microwave gets very dirty. Avoid the use of spray and other harsh cleaners as they may stain, streak or dull the door surface.
- The outside surfaces should be cleaned with a damp cloth. To prevent damage to the operating parts inside the microwave, water should not be allowed to seep into the ventilation openings.
- Wipe the both sides of the door and window, the door seals and adjacent parts frequently with a damp cloth

to remove any spills or spatters. Do not use abrasive cleaner.

- A steam cleaner is not be used.
- Do not allow the control panel to become wet. Clean with a soft, damp cloth. When cleaning the control panel, leave microwave door open to prevent microwave from accidentally turning on.
- If steam accumulates inside or around the outside of the microwave door, wipe with a soft cloth. This may occur when the microwave microwave is operated under high humidity condition. And it is normal.
- It is occasionally necessary to remove the glass tray for cleaning. Wash the tray in warm sudsy water or in a dishwasher.
- The roller ring and microwave floor should be cleaned regularly to avoid excessive noise. Simply wipe the bottom surface of the microwave with mild detergent. The roller ring may be washed in mild sudsy water or dishwasher. When removing the roller ring from cavity floor for cleaning, be sure to replace in the proper position.
- Remove odors from your microwave by combining a cup of water with the juice and skin of one lemon in a deep microwaveable bowl, microwave for 5 minutes. Wipe thoroughly and dry with a soft cloth.
- When it becomes necessary to replace the microwave light, please consult a dealer to have it replaced.
- The microwave should be cleaned regularly and any food deposits removed. Failure to maintain the microwave in a clean condition could lead to deterioration of the surface that could adversely affect

the life of the appliance and possibly result in a hazardous.

- Please do not dispose this appliance into the domestic rubbish bin; it should be disposed to the particular disposal center provided by the municipalities.

## **WARRANTY**

The warranty period for our products is 2 years, unless otherwise stated, starting from the date of initial purchase or the date of delivery.

If you have any problems or questions, you can easily access our help pages, troubleshooting tips, FAQ, and user manuals on our service site: <https://sav.hkoenig.com>.

By typing the reference name of your device in the search bar, you can access all available online support, designed to best meet your needs.

If you still cannot find an answer to your question or problem, then click on "Did the answer solve your problem?". This will direct you to the Customer Support Request Form, which you can fill out to validate your request and get help.

### **WARRANTY CONDITIONS**

The warranty covers all failures occurring under normal use, in accordance with the usage and specifications in the user's manual.

This warranty does not apply to packaging or transportation problems during shipment of the product by the owner. It also does not include normal wear and tear of the product, nor maintenance or replacement of consumable parts.

### **EXCLUSION OF WARRANTY**

- Accessories and wearing parts (\*).
- Normal maintenance of the device.
- All breakdowns resulting from improper use (shocks, failure to comply with power supply recommendations, poor conditions of use, etc.), insufficient maintenance or misuse of the device, as well as the use of unsuitable accessories.
- Damage of external origin: fire, water damage, electrical surge, etc.
- Any equipment that has been disassembled, even partially, by persons other than those authorized to do so (notably the user).
- The products whose serial number would be missing, deteriorated or illegible that would not allow its identification.
- The products subjected to leasing, demonstration, or exhibition.

(\*) Some parts of your device, called wear parts or consumables, deteriorate with time and frequency of use of your device. This wear and tear are normal but can be accentuated by poor conditions of use or maintenance of your device. These parts are therefore not covered by the warranty.



The accessories supplied with the device are also excluded from the warranty. They cannot be exchanged or refunded. However, some accessories can be purchased directly through our website: <https://sav.hkoenig.com/>.

## ENVIRONMENT

### CAUTION:



Do not dispose of this product as it has with other household products. There is a separation of this waste product into communities, you will need to inform your local authorities about the places where you can return this product. In fact, electrical and electronic products contain hazardous substances that have harmful effects on the environment or human health and should be recycled. The symbol here indicates that electrical and electronic equipment should be chosen carefully, a wheeled waste container is marked with a cross.

Adeva SAS / H.Koenig Europe - 8 rue Marc Seguin - 77290 Mitry Mory - France  
[www.hkoenig.com](http://www.hkoenig.com) - [sav@hkoenig.com](mailto:sav@hkoenig.com) - [contact@hkoenig.com](mailto:contact@hkoenig.com) - Tél: +33 1 64 67 00 05

# FRANÇAIS

*Veillez lire attentivement ces instructions avant d'installer et d'utiliser le micro-ondes.*

## **PRECAUTIONS POUR EVITER UNE EXPOSITION EVENTUELLE AUX RADIATIONS EXCESSIVES**

1. Ne pas essayer de faire fonctionner ce micro-ondes avec la porte ouverte, car cela pourrait entraîner une exposition dangereuse aux micro-ondes. Il est important de ne pas modifier ou d'altérer le dispositif de verrouillage de sécurité.
2. Ne placer aucun objet entre la face avant du micro-ondes et la porte et ne pas laisser la saleté ou des résidus se déposer sur les joints d'étanchéité.
3. Ne pas faire fonctionner le micro-ondes s'il est endommagé. Il est particulièrement important que la porte du micro-ondes puisse bien se fermer et qu'il n'y ait aucun dommage au niveau de :
  - a) La porte (pluie),
  - b) Les charnières et loquets (cassés ou desserrés),
  - c) Les joints de porte et les surfaces d'étanchéité.
4. Le micro-ondes ne doit être réglé ou réparé que par un spécialiste qualifié

## **CONSIGNES IMPORTANTES DE SÉCURITÉ**

Lorsque vous utilisez cet appareil électrique, il est important de toujours respecter les consignes de sécurité élémentaires.

**ATTENTION** : pour réduire les risques de brûlure, d'électrocution, d'incendie, de blessure ou d'exposition excessive aux micro-ondes :

- Lisez toutes les instructions avant d'utiliser l'appareil et conservez le manuel en lieu sûr.
- N'utilisez cet appareil que pour l'usage prévu comme décrit dans ce manuel. N'employez pas de produits

chimiques ou de gaz corrosifs dans cet appareil. Ce type de micro-ondes a été spécialement conçu pour chauffer, cuire ou sécher des aliments. Il n'est pas conçu pour une utilisation industrielle ou de laboratoire.

- Ne faites pas fonctionner le micro-ondes lorsqu'il est vide.
- N'utilisez pas cet appareil si le cordon d'alimentation ou la fiche est endommagée, s'il ne fonctionne pas correctement, ou s'il a été endommagé, ou est tombé. Si le cordon d'alimentation est endommagé, il doit être remplacé par le fabricant, ou son réparateur, ou une personne de même qualification afin d'éviter tout accident.
- **AVERTISSEMENT** : n'autorisez les enfants à utiliser le micro-ondes sans surveillance que lorsque des instructions adéquates leur ont été données de telle sorte qu'ils soient capables de faire fonctionner le micro-ondes en toute sécurité et qu'ils soient conscients des dangers provoqués par un usage inadéquat.
- Pour réduire le risque d'incendie à l'intérieur du micro-ondes :
  - a) Lorsque vous chauffez des aliments dans un récipient en plastique ou en papier, gardez un œil sur le micro-ondes en raison de la possibilité d'inflammation.
  - b) Retirer les attaches torsadées des sacs en papier ou en plastique avant de les placer dans le micro-ondes.

- c) Si de la fumée est observée, éteignez ou débranchez l'appareil et gardez la porte fermée afin d'étouffer toute flamme éventuelle.
- d) N'utilisez pas le micro-ondes pour entreposer quoi que ce soit. Ne laissez pas de produits en papier, d'ustensile de cuisine ou de la nourriture dans le micro-ondes lorsqu'il n'est pas utilisé.
- e) Le micro-ondes à micro-ondes est prévu pour le réchauffage d'aliments et de boissons. Le séchage de la nourriture ou de vêtements et le chauffage de patchs chauffants, de pantoufles, d'éponges, de linge humide, et similaire, peut conduire à un risque de blessures, d'inflammation ou d'incendie.

- **AVERTISSEMENT** : les liquides ou autres aliments ne doivent pas être chauffés dans des récipients hermétiques car ils risquent d'exploser.
- Le chauffage par micro-ondes de boissons peut entraîner une ébullition éruptive retardée, il faut donc prendre des précautions avant de manipuler le récipient.
- Ne faites pas frire de la nourriture dans le micro-ondes. L'huile chaude peut endommager les pièces et les ustensiles du micro-ondes et même provoquer des brûlures de la peau.
- Les œufs frais et les œufs durs ne doivent pas être chauffés dans un micro-ondes à micro-ondes car ils peuvent exploser même après que le micro-ondes s'est éteint.
- Percez les aliments avec des peaux épaisses comme les pommes de terre, les courges entières, les pommes et les châtaignes avant de les faire cuire.

- Le contenu des biberons et des bocaux doit être agité ou secoué et la température doit être vérifiée avant d'être servi pour éviter toute brûlure.
- Les ustensiles de cuisine peuvent devenir chauds à cause de la chaleur transmise par les aliments réchauffés. Des gants peuvent être nécessaires pour manipuler les ustensiles.
- Il faut vérifier que les ustensiles conviennent à une utilisation dans un micro-ondes à micro-ondes.
- **AVERTISSEMENT** : il est dangereux pour toute personne non spécialisée d'effectuer une réparation du micro-ondes impliquant l'enlèvement des protections contre les radiations.
- Ce produit est un équipement ISM Groupe 2 Classe B. La définition du groupe 2 qui contient tous les équipements ISM (industriels, scientifiques et médicaux) dans lesquels l'énergie radiofréquence est intentionnellement produite et / ou utilisée sous forme de rayonnement électromagnétique pour le traitement des matériaux, et les équipements à électroérosion. Les appareils de Classe B sont conçus pour un usage domestique à faible voltage comme dans les immeubles d'habitation.
- Cet appareil peut être utilisé par des personnes dont les capacités physiques, sensorielles ou mentales sont réduites ou dont l'expérience ou les connaissances ne sont pas suffisantes, à condition qu'elles bénéficient d'une surveillance ou qu'elles aient reçu des instructions quant à l'utilisation de l'appareil en toute sécurité et qu'elles en comprennent bien les dangers potentiels.

- Les enfants doivent être surveillés afin de s'assurer qu'ils ne jouent pas avec l'appareil.
- Ce micro-ondes à micro-ondes est un appareil autonome.
- **ATTENTION** : n'installez pas le micro-ondes sur une cuisinière ou un autre appareil produisant de la chaleur, car sinon le micro-ondes pourrait être endommagé et la garantie serait annulée.
- Le micro-ondes à micro-ondes ne doit pas être placé dans une armoire.
- La porte ou les surfaces extérieures peuvent devenir très chaudes lorsque le micro-ondes fonctionne.
- **ATTENTION** : des parties accessibles peuvent devenir très chaudes pendant l'utilisation. Ne laissez pas les jeunes enfants s'approcher.
- Pendant l'utilisation, les appareils deviennent chauds. Il faut être prudent et ne pas toucher les éléments chauffants à l'intérieur du micro-ondes utilisés pour la cuisson.
- La température des surfaces du micro-ondes peut être élevée lorsque l'appareil fonctionne.
- L'appareil doit être placé contre un mur.
- **ATTENTION** : si la porte ou ses joints d'étanchéité sont abimés, il ne faut pas se servir du micro-ondes

jusqu'à ce qu'il ait été réparé par une personne qualifiée.

- Les instructions doivent confirmer qu'il ne faut pas tenter d'utiliser les appareils à l'aide d'un minuteur externe ou d'une télécommande qui ne fasse pas partie du micro-ondes.
- Le micro-ondes à micro-ondes est destiné à un usage domestique uniquement et non à un usage commercial.
- N'enlevez pas les pattes d'écartement situées derrière ou sur les côtés du micro-ondes car elles assurent une ventilation entre l'appareil et le mur.
- Veuillez fixer le plateau tournant avant de déplacer le micro-ondes pour éviter de l'abîmer.
- **ATTENTION** : il est risqué de faire entretenir ou réparer le micro-ondes par une personne autre qu'un spécialiste car dans ce cas il faut retirer les protections contre les radiations. Cela implique alors de retirer le câble électrique ainsi que l'éclairage. Dans ce genre de situation, il est préférable d'emmener l'appareil à un agent agréé.
- Le micro-ondes à micro-ondes est conçu pour la décongélation, la cuisson et la cuisson à la vapeur des aliments uniquement.
- Utilisez des gants si vous enlevez tout aliment réchauffé.
- **Attention !** De la vapeur s'échappe lors de l'ouverture des couvercles ou de l'emballage.
- Cet appareil peut être utilisé par des enfants âgés de 8 ans et plus et par des personnes aux capacités

physiques ou mentales réduites ou manquant d'expérience et de connaissances si elles sont sous surveillance ou si elles ont reçu des instructions relatives à l'utilisation sécurisée de l'appareil et si elles comprennent les dangers impliqués. Les enfants ne doivent pas jouer avec l'appareil. Cet appareil ne doit pas être nettoyé et entretenu par des enfants de 8 ans et plus, à moins qu'ils ne soient sous surveillance.

- Conserver l'appareil et son câble hors de portée des enfants âgés de moins de 8 ans.
- Cet appareil peut être utilisé par des enfants âgés d'au moins 8 ans, à condition qu'ils bénéficient d'une surveillance ou qu'ils aient reçu des instructions quant à l'utilisation de l'appareil en toute sécurité et qu'ils comprennent bien les dangers encourus.
- Si de la fumée apparaît, éteignez ou débranchez l'appareil et gardez la porte fermée afin d'étouffer toute flamme éventuelle.
- L'appareil ne doit pas être utilisé s'il a chuté, s'il y a des signes visibles de dommages ou en cas de fuite.
- Le manuel d'utilisation peut également être téléchargé sur notre site web : [www.hkoenig.com](http://www.hkoenig.com)
- Cet appareil est destiné à être utilisé dans des applications domestiques et analogues telles que :
  - des coins cuisines réservés au personnel dans des magasins, bureaux et autres environnements professionnels ;
  - des fermes ;
  - l'utilisation par les clients des hôtels, motels et autres environnements à caractère résidentiel ;



- des environnements de type chambres d'hôtes.

- L'utilisation de récipients métalliques pour les aliments et les boissons n'est pas autorisée dans le four à micro-ondes.
- Le four à micro-ondes est prévu pour chauffer des denrées alimentaires et des boissons. Le séchage de denrées alimentaires ou de linge et le chauffage de coussins chauffants, pantoufles, éponges, linge humide et autres articles similaires peuvent entraîner des risques de blessures, d'inflammation ou de feu.
- L'appareil ne doit pas être nettoyé avec un nettoyeur à vapeur.

**-LIRE AVEC ATTENTION ET GARDER POUR DE FUTURES UTILISATIONS.**

## **INSTALLATION**

1. Assurez-vous que tous les emballages aient été retirés de l'intérieur du micro-ondes.
2. **ATTENTION:** vérifiez que le micro-ondes n'a pas de dégâts tels que : une porte pliée ou mal alignée, des joints de porte ou de surface défectueux, des charnières et des loquets cassés ou branlants, des bosses ou des enfoncements à l'intérieur du micro-ondes ou dans la porte. S'il y a un dommage, n'utilisez pas le micro-ondes et portez-le à un agent qualifié.
3. Le micro-ondes à micro-ondes doit être disposé sur un support plan et stable qui résiste à son poids quand il est à pleine charge.
4. Ne placez pas le micro-ondes dans des endroits où il y a de la chaleur, de l'humidité légère ou forte, ou encore près de matériaux inflammables.
5. Pour fonctionner correctement, le micro-ondes doit être aéré suffisamment. Laissez 20cm d'espace au-dessus, 10cm à l'arrière et 5cm sur les côtés. Ne recouvrez ni ne bouchez pas les ouvertures ; n'enlevez pas les pieds.
6. N'utilisez pas le micro-ondes sans que le plateau de verre, l'entraîneur à galets et l'axe ne soient en bonne position.
7. Assurez-vous que le câble électrique ne soit pas abimé, qu'il ne passe pas sous le micro-ondes ou sur n'importe quelle surface chaude ou coupante.
8. La prise de courant doit être aisément accessible pour débrancher rapidement le micro-ondes en cas d'urgence.
9. N'utilisez pas le micro-ondes en plein air.

## PERTURBATIONS RADIOELECTRIQUES

L'utilisation du micro-ondes à micro-ondes peut causer des interférences avec votre radio, téléviseur ou équipement similaire.

Lorsqu'il y a une interférence, elle peut être réduite ou éliminée en prenant les mesures suivantes:

1. Nettoyer la porte et les joints du micro-ondes.
2. Réorienter l'antenne de réception de la radio ou de la télévision.
3. Déplacer le micro-ondes à micro-ondes par rapport au récepteur.
4. Éloigner le micro-ondes à micro-ondes du récepteur.
5. Brancher le micro-ondes à micro-ondes à une autre prise de sorte que le micro-ondes à micro-ondes et le récepteur soient sur des circuits de dérivation différents.

## PRINCIPES DE CUISSON AU MICRO-ONDES À MICRO-ONDES

1. Disposez les aliments avec précaution en plaçant les morceaux les plus épais vers la périphérie du plat.
2. Surveillez le temps de cuisson. Basez-vous sur le temps minimum indiqué et prolongez si nécessaire. La nourriture qui est beaucoup trop cuite peut dégager de la fumée, voire s'enflammer.
3. Recouvrez les aliments durant la cuisson. Cela évite les projections et assure une cuisson uniforme.
4. Retournez les aliments tels que du poulet ou un hamburger une fois durant la cuisson pour l'accélérer. Des grands morceaux comme le rôti doivent être retournés au moins une fois.
5. Déplacez les aliments tels que les boulettes de viande à la moitié de la cuisson du haut vers le bas et du centre à l'extérieur du plat

## INSTRUCTIONS DE MISE À LA TERRE

Cet appareil doit être mis à la terre. Cet appareil est équipé d'un cordon muni d'un fil de mise à la terre avec une fiche de mise à la terre. Il doit être branché dans une prise de courant murale correctement installée et mise à la terre. En cas d'un court-circuit électrique, la mise à la terre réduit le risque de décharge électrique en permettant au courant électrique de s'échapper par ce fil. Il est conseillé d'utiliser une prise d'alimentation uniquement pour cet appareil. L'utilisation d'une haute tension est dangereuse et peut entraîner un incendie ou un autre accident causant des dommages au micro-ondes.

**ATTENTION** : un emploi inadéquat de la prise de terre peut provoquer un risque d'électrocution.

*Remarque :*

1. Si vous avez des questions concernant la mise à la terre ou sur les recommandations au sujet du système électrique, veuillez consulter un électricien qualifié ou un agent agréé.
2. Ni le fabricant, ni le revendeur ne peuvent être tenus responsables de dommages occasionnés au micro-ondes ou à quelqu'un si les règles de branchement électrique n'ont pas été respectées.

Les fils du câble ont des couleurs respectant le code suivant :

**Vert et jaune = TERRE**

**Bleu = NEUTRE**

**Marron = SOUS TENSION**

## AVANT D'APPELER LE SERVICE-CLIENT

Si le micro-ondes ne fonctionne pas:

1. Vérifiez que l'appareil soit branché correctement. Si ce n'est pas le cas, débranchez le câble, attendez 10 secondes puis rebranchez-le avec soin.
2. Contrôlez qu'il n'y ait pas un fusible fondu ou que le circuit n'ait pas disjoncté. Si tout est normal, contrôlez la prise de courant avec un autre appareil.
3. Vérifiez que le panneau de commandes soit programmé correctement et que le minuteur soit bien réglé.
4. Contrôlez que la porte soit bien fermée et que le système de verrouillage soit bien en place. Dans le cas contraire, il n'y aura pas d'émission de micro-ondes dans le micro-ondes.

**SI AUCUNE DES RECOMMANDATIONS CI-DESSUS N'EST UTILE, CONTACTEZ UN TECHNICIEN QUALIFIÉ. NE TENTEZ PAS DE RÉGLER OU DE RÉPARER LE MICRO-ONDES PAR VOUS-MÊME.**

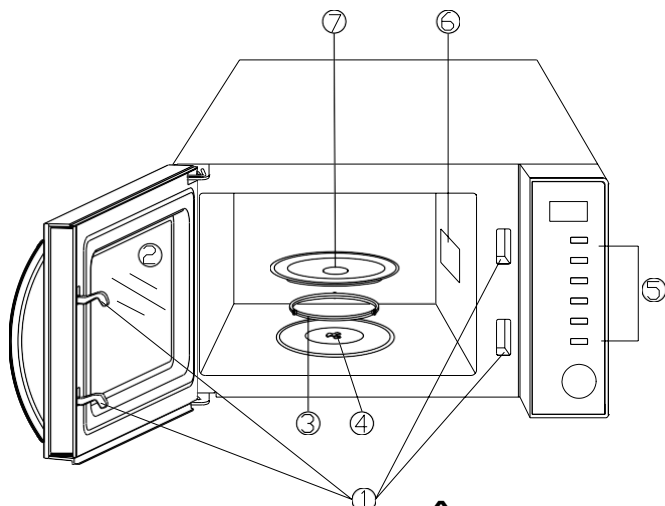
## GUIDE DES USTENSILES

1. Les micro-ondes ne peuvent pénétrer le métal. Utilisez uniquement des ustensiles adaptés à une utilisation dans des micro-ondes à micro-ondes. Des récipients métalliques pour aliments et boissons ne sont pas autorisés pour la cuisson aux micro-ondes. Ce dernier point n'est pas à prendre en compte si le fabricant recommande des récipients métalliques d'une certaine forme et taille, adaptés à une cuisson au micro-ondes micro-ondes.
2. Puisque les micro-ondes ne peuvent pas pénétrer le métal, n'employez pas d'ustensiles métalliques ou de plats comportant une décoration en métal.
3. N'utilisez pas de produits constitués de papier recyclé quand vous cuisinez au micro-ondes car ils peuvent contenir des traces de métaux qui peuvent provoquer des étincelles et/ou des incendies.
4. Les plats ronds ou ovales sont préférables à ceux de forme carrée ou oblongue car les aliments situés dans les angles ont tendance à être trop cuit.
5. De fines feuilles d'aluminium peuvent être utilisées pour éviter de trop cuire les parties exposées. Mais attention de ne pas trop en utiliser et de garder une distance de 2cm environ entre les feuilles et les parois du micro-ondes.

Pour vous aider dans le choix des ustensiles, nous vous avons préparé la liste ci-dessous :

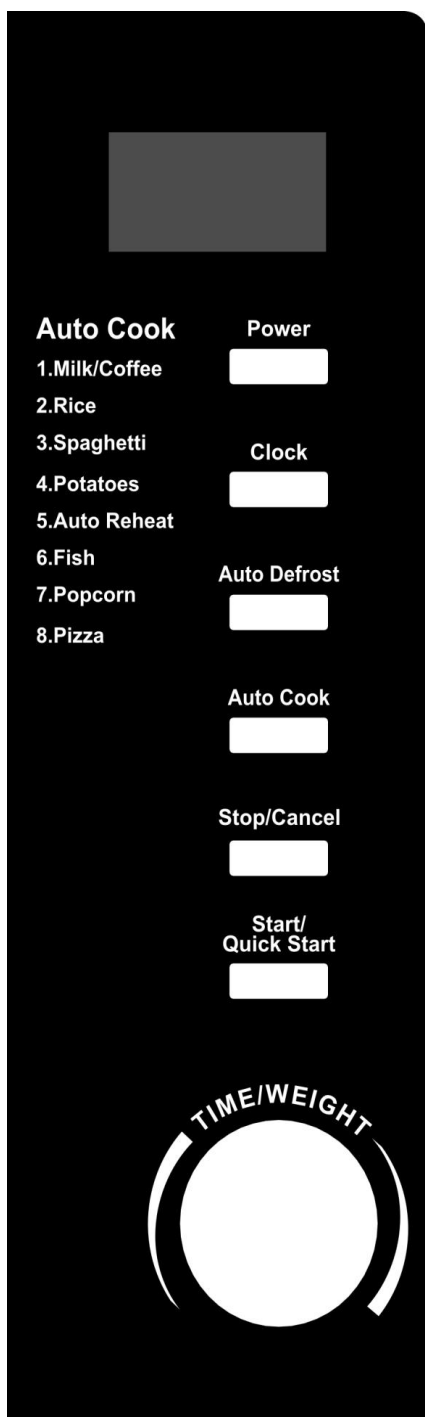
BATTERIE DE CUISINE	MICRO-ONDES
Verre réfractaire	Oui
Verre non réfractaire	Non
Céramique résistante à la chaleur	Oui
Plat en plastique pour micro-ondes	Oui
Essuie-tout	Oui
Barquette en métal	Non
Plat en métal	Non
Récipient en aluminium	Non

## DESCRIPTION DES PIÈCES



1. Système de verrouillage de la porte
2. Hublot du micro-ondes
3. Entraîneur à plateau.
4. Arbre d'entraînement
5. Panneau de contrôle
6. Guide des ondes (Ne pas enlever la plaque de mica couvrant le guide)
7. Plateau en verre

## PANNEAU DE CONTRÔLE



- **ÉCRAN DE CONTRÔLE DU MENU**

Le temps de cuisson, la puissance, les commandes et la minuterie sont affichés.

- **PUISSANCE**

Presser ce bouton un certain nombre de fois pour régler le niveau de puissance de la cuisson.

- **MINUTERIE**

Presser ce bouton pour commencer à régler la minuterie du micro-ondes puis terminer en le pressant à nouveau.

- **DÉCONGÉLATION AUTOMATIQUE**

Presser le bouton pour décongeler les aliments selon le poids.

- **CUISINE AUTOMATIQUE**

Presser le bouton pour obtenir les paramètres instantanés de cuisson des aliments courants,

- **ARRÊTER / ANNULER**

- Presser le bouton pour annuler le réglage ou réinitialiser le micro-ondes avant de définir un programme de cuisson.

- Presser le bouton une fois pour arrêter temporairement la cuisson ou deux fois pour annuler complètement la cuisson.

- Cette commande est également utilisée pour gérer la sécurité enfants.

- **DÉMARRER / DÉMARRAGE RAPIDE**

- Presser le bouton pour démarrer un programme de cuisson.


- Il suffit de le presser un certain nombre de fois pour commencer la cuisson express sans avoir auparavant réglé le niveau de puissance et le temps de cuisson.

- **TEMPS / POIDS**

- Tourner la molette pour régler l'heure de l'horlogedu micro-ondes ou le temps de cuisson.

- Tourner la molette pour spécifier le poids ou le nombre de portions

# COMMENT RÉGLER LES COMMANDES DU MICRO-ONDES

- Lorsque le micro-ondes est branché, l'écran affiche  et "1:01".
- Pendant le mode de réglage (sauf la cuisson à démarrage rapide), le système retournera en mode attente s'il n'y a aucune opération dans les 28 secondes.
- Pendant la cuisson, si vous appuyez une fois sur la touche STOP / CANCEL ou si vous ouvrez la porte, le programme sera mis en pause. Appuyez alors sur START / QUICK START pour reprendre, mais si vous appuyez deux fois sur STOP / CANCEL, le programme sera annulé.
- Vous n'avez pas besoin d'appuyer sur la touche STOP / CANCEL, car on peut passer de la cuisson aux micro-ondes à la cuisson automatique et à la décongélation.
- Pendant la cuisson rapide et la cuisson aux micro-ondes, vous pouvez tourner la molette TIME / WEIGHT pour augmenter ou diminuer le temps de cuisson.
- Une fois la cuisson terminée, l'écran affiche END accompagné d'une sonnerie toutes les deux minutes jusqu'à ce que l'utilisateur appuie sur la touche STOP / CANCEL ou bien ouvre la porte.
- Chaque fois qu'on appuie sur un bouton, un bip retentit pour confirmer.

## 1. REGLAGE DE L'HORLOGE NUMERIQUE

Lorsque le micro-ondes est branché, appuyer une ou deux fois sur le bouton CLOCK pour régler l'horloge numérique sur un cycle de 12 ou 24 heures.

*Par exemple* : supposons que vous vouliez régler l'horloge du micro-ondes à 8h30.

1. Appuyez sur le bouton CLOCK une ou deux fois.
2. Tournez la molette TIME / WEIGHT pour indiquer le chiffre des heures 8.
3. Appuyez sur le bouton CLOCK.
4. Tournez TIME / WEIGHT pour indiquer les chiffres des minutes jusqu'à ce que l'écran affiche 8:30.
5. Appuyez sur CLOCK pour confirmer le réglage.

*Remarque* : pour vérifier l'heure pendant la cuisson, appuyez une fois sur le bouton CLOCK.

## 2. DEMARRAGE RAPIDE

Cette fonction vous permet de démarrer le micro-ondes rapidement.

En mode veille, appuyez plusieurs fois sur le bouton START / QUICK START pour régler le temps de cuisson, le micro-ondes commence à fonctionner à pleine puissance 2 secondes plus tard. La durée maximale de cuisson peut être réglée sur 12 minutes.

## 3. CUISSON AU MICRO-ONDES

Pour la cuisson aux micro-ondes, il suffit d'appuyer sur la touche POWER un certain nombre de fois pour saisir le niveau de puissance de cuisson, puis tourner la molette TIME / WEIGHT pour établir le temps de cuisson. Le temps de cuisson le plus long est de 60 minutes. Le micro-ondes commencera à cuire après avoir appuyé sur la touche START / QUICK START.

Sélectionner le niveau de puissance en appuyant sur le bouton POWER :

<b>APPUYER SUR LA TOUCHE POWER</b>	<b>PUISSANCE DE CUISSON</b>
Une fois	100%
Deux fois	80 %
Trois fois	60 %
Quatre fois	40 %
Cinq fois	20 %
Six fois	0%

*Par exemple* : supposons que vous vouliez cuisiner pendant 5 minutes à 60% de la puissance du micro-ondes à micro-onde :

1. Appuyez sur le bouton POWER 3 fois.
2. Tournez la molette TIME / WEIGHT pour saisir le temps de cuisson.
3. Appuyez sur le bouton START / QUICK START.

*Remarque* : pendant la cuisson aux micro-ondes, appuyez sur le bouton POWER pour vérifier le niveau de puissance en cours. Si vous voulez cuisiner à un niveau de puissance de 100%, omettez la première étape.

#### **4. DÉCONGÉLATION AUTOMATIQUE**

Le micro-ondes permet la décongélation de la viande, de la volaille et des fruits de mer. L'heure et la puissance de décongélation sont réglées automatiquement une fois le poids programmé. Le poids des aliments congelés varie entre 100g et 1800g.

*Par exemple* : supposons que vous vouliez décongeler 600 g de crevettes.

1. Placez les crevettes congelées dans le micro-ondes.
2. Appuyez une fois sur le bouton AUTO DEFROST.
3. Tournez la molette TIME / WEIGHT pour choisir un poids de 600g.
4. Appuyez sur le bouton START / QUICK START.

*Remarque* : pendant le processus de décongélation, le système fait une pause et émet un bip pour vous rappeler de retourner les aliments dans le micro-ondes.

#### **5. SECURITE ENFANTS**

Elle permet d'empêcher que les petits enfants fassent fonctionner le micro-ondes sans surveillance. L'indicateur CHILD LOCK apparaît sur l'écran et le micro-ondes ne peut pas être utilisé lorsque ce mode est activé.

- Pour activer la SÉCURITÉ ENFANTS : appuyez sur le bouton STOP / CANCEL (arrêt / annulation) et maintenez-le enfoncé pendant 3 secondes, un bip retentit et les voyants de verrouillage s'allument.

- Pour annuler la SÉCURITÉ ENFANTS : appuyez sur le bouton STOP / CANCEL (arrêt / annulation) et maintenez-le enfoncé pendant 3 secondes jusqu'à ce que l'indicateur de verrouillage s'éteigne.

## 6. CUISINE AUTOMATIQUE

Pour la nourriture ou le mode de cuisson suivant, il n'est pas nécessaire de programmer la durée et la puissance de cuisson. Il suffit d'indiquer le type d'aliment que vous souhaitez cuisiner ainsi que le poids de cet aliment. Pendant la cuisson, vous pouvez vérifier le menu de cuisson en cours en pressant le bouton AUTO COOK.

*Par exemple* : pour cuisiner 400g de poisson :

1. Appuyez plusieurs fois sur le bouton AUTO COOK pour sélectionner le code de menu du poisson 6.
2. Tournez la molette TIME / WEIGHT pour indiquer un poids de 400g.
3. Appuyez sur le bouton START / QUICK START.

Menu de cuisson automatique :

CODE	MENU	
1	Lait / café (200ml / tasse)	<ol style="list-style-type: none"> <li>1. Tournez la molette TIME / WEIGHT pour indiquer le poids de la nourriture ou le nombre de portions. Pour le lait / café et les pommes de terre, l'écran affichera le nombre de portions.</li> <li>2. Le résultat de la cuisson automatique dépend de facteurs tels que la forme et la taille des aliments, de vos préférences personnelles quant à la cuisson de certains aliments et même de la façon dont vous placez les aliments dans le micro-ondes. Si vous trouvez que le résultat n'est pas satisfaisant, ajustez le temps de cuisson en conséquence.</li> <li>3. Pour les spaghettis, ajoutez de l'eau bouillante avant de les faire cuire.</li> </ol>
2	Riz (g)	
3	Spaghetti (g)	
4	Pommes de terre (230g / unité)	
5	Réchauffage automatique (g)	
6	Poisson (g)	
7	Maïs soufflé (99g)	
8	Pizza (g)	

## NETTOYAGE ET ENTRETIEN

- Éteignez le micro-ondes et débranchez le cordon d'alimentation de la prise murale avant de le nettoyer.

- Gardez l'intérieur du micro-ondes propre. Lorsque des éclaboussures de nourriture ou de liquides adhèrent aux parois du micro-ondes, essuyez-les avec un linge humide. Un détergent doux peut être utilisé si le micro-ondes est très sale. Évitez l'utilisation de vaporisateur et d'autres nettoyants agressifs car ils peuvent tacher, strier ou émousser la surface de la porte.
- Les surfaces extérieures doivent être nettoyées avec un chiffon humide. Pour éviter d'endommager les pièces de fonctionnement à l'intérieur du micro-ondes, l'eau ne doit pas s'infiltrer dans les ouvertures de ventilation.
- Essuyez les deux côtés de la porte et la fenêtre, les joints de porte et les pièces adjacentes fréquemment avec un chiffon humide pour enlever les éclaboussures. N'utilisez pas de nettoyant abrasif.
- Un nettoyeur à vapeur ne doit pas être utilisé.
- Ne laissez pas le panneau de contrôle devenir humide. Nettoyez-le à l'aide d'un chiffon humide. Lorsque vous nettoyez le panneau de contrôle, laissez la porte du micro-ondes ouverte pour éviter que le micro-ondes ne s'allume accidentellement.
- Si de la vapeur s'accumule à l'intérieur ou autour de la porte du micro-ondes, essuyez-la avec un chiffon doux. Cela peut se produire lorsque le micro-ondes à micro-ondes fonctionne dans des conditions d'humidité élevée, ce qui est normal.
- Il est parfois nécessaire de retirer le plateau en verre pour le nettoyer. Lavez-le dans de l'eau chaude savonneuse ou dans un lave-vaisselle.



- L'entraîneur à galets et le fond du micro-ondes doivent être nettoyés régulièrement pour éviter les bruits excessifs. Essuyez simplement la surface inférieure du micro-ondes avec un détergent doux. L'entraîneur à galets peut être lavé dans de l'eau savonneuse douce ou au lave-vaisselle. Lorsque vous le retirez du micro-ondes pour le nettoyer, assurez-vous de le replacer dans la bonne position.
- Enlevez les odeurs de votre micro-ondes en ajoutant à un bol d'eau le jus et la peau d'un citron que vous mettrez dans le micro-ondes pendant 5 minutes. Essuyez soigneusement et séchez avec un chiffon doux.
- Lorsqu'il devient nécessaire de remplacer la lampe du micro-ondes, veuillez consulter un revendeur pour la faire remplacer.
- Le micro-ondes doit être nettoyé régulièrement et tous les dépôts de nourriture doivent être enlevés. Le fait de ne pas maintenir le micro-ondes propre peut entraîner une détérioration de la surface qui pourrait nuire à la durée de vie de l'appareil et entraîner un accident.
- Veuillez ne pas jeter cet appareil dans la poubelle domestique, mais déposez-le à la déchetterie de votre municipalité.

## **GARANTIE**

La durée de garantie de nos produits est de 2 ans, sauf décret en vigueur, à compter de la date d'achat initiale ou la date de livraison.

En cas de problèmes ou d'interrogations, vous pouvez facilement accéder à nos pages d'aides, conseils de dépannage, FAQ et modes d'emplois sur notre site SAV : <https://sav.hkoenig.com>.

En tapant le nom de référence de votre appareil dans la barre de recherche, vous accédez à tous les supports en ligne disponibles, conçus pour vous répondre au mieux à vos besoins.

Si vous ne trouvez toujours pas de réponse à votre question ou votre problème, alors cliquez sur « Est-ce que la réponse a résolu votre problème ? ». Vous accéderez alors au formulaire de demande d'assistance SAV, qu'il vous suffira de compléter pour valider votre demande et obtenir de l'aide.

## CONDITIONS DE GARANTIE

La garantie couvre l'ensemble des pannes survenant dans le cadre d'une utilisation normale, conforme aux usages et spécifications présentes sur le manuel d'utilisation.

Cette garantie ne s'applique pas aux problèmes d'emballage ou de transport pendant l'expédition du produit par son propriétaire. Elle n'inclut également pas l'usure normale du produit, ni la maintenance ou le remplacement de pièces consommables.

## EXCLUSION DE GARANTIE

- Les accessoires et les pièces d'usure (\*).
- L'entretien normal de l'appareil.
- Toutes pannes survenant par suite d'une mauvaise utilisation (chocs, non-respect des préconisations d'alimentation électrique, mauvaises conditions d'utilisation, etc.), d'un entretien insuffisant ou d'un détournement de fonction de l'appareil, ainsi que l'usage d'accessoires non appropriés.
- Les dommages d'origine externe : incendie, dégâts des eaux, surtension électrique, etc.
- Tout matériel qui aura été démonté même partiellement par des personnes autres que celles habilitées (notamment l'utilisateur).
- Les produits dont le numéro de série serait absent, détérioré ou illisible que ne permettrait pas son identification.
- Les produits soumis à la location, à la démonstration ou à l'exposition.

(\*) Certaines pièces de votre appareil dites pièces d'usure ou consommables se détériorent avec le temps et la fréquence d'usage de votre appareil. Cette usure est normale, mais peut être accentuée par des mauvaises conditions d'utilisation ou entretien de votre appareil. Ces pièces ne sont donc pas couvertes par la garantie.

Les accessoires fournis avec l'appareil sont également exclus du champ de la garantie. Ils ne peuvent donc être ni échangés, ni remboursés. Toutefois, certains accessoires peuvent être directement achetés via notre site : <https://sav.hkoenig.com/>.

## ENVIRONNEMENT

ATTENTION :



Vous ne devez pas vous débarrasser de cet appareil avec vos déchets ménagers. Un système de collecte sélective pour ce type de produit est mis en place par les communes, vous devez vous renseigner auprès de votre mairie afin d'en connaître les emplacements. En effet, les produits électriques et électroniques peuvent contenir des substances dangereuses qui ont des effets néfastes sur l'environnement ou la santé humaine et doivent être recyclés. Le symbole ci-contre indique que les équipements électriques et électroniques font l'objet d'une collecte sélective, il représente une poubelle sur roues barrée d'une croix.

# DEUTSCH

Bitte lesen Sie diese Anweisungen sorgfältig durch, bevor Sie den Mikrowelle in Betrieb nehmen.

## **SICHERHEITSMASSNAHMEN, UM DIE MÖGLICHE AUSSETZUNG ZUR ÜBERMÄSSIGEN MIKROWELLENSTRAHLUNGSENERGIE ZU VERMEIDEN:**

1. Versuchen Sie nicht, das Gerät zu bedienen, während die Tür offen ist, da es zu schädlicher Aussetzung von Mikrowellenstrahlungsenergie führen kann. Die Sicherheitsverriegelungen dürfen nicht manipuliert oder funktionsunfähig gemacht werden.
2. Platzieren Sie keine Gegenstände zwischen der Mikrowelle-Vorderseite und der Tür oder hinterlassen Sie keine Schmutz- oder Reiniger-Rückstände auf den Sicherheitsverriegelungen.
3. Bedienen Sie den Mikrowelle nicht, wenn er beschädigt ist. Es ist besonders wichtig, dass die Mikrowelle-Tür richtig geschlossen ist und dass die folgenden Teile nicht beschädigt sind:
  - a) Die Tür (gebeugt)
  - b) Scharniere und Verriegelungen (gebrochen oder gelockert)
  - c) Türdichtungen und Dichtungsflächen.
4. Der Mikrowelle sollte nur von qualifiziertem Fachpersonal gewartet und repariert werden.

## **WICHTIGE SICHERHEITSANWEISUNGEN**

Wenn Sie das elektrische Gerät nutzen, müssen grundlegende Vorsichtsmaßnahmen beachtet werden, einschließlich der folgenden:

**WARNUNG:** Um das Risiko von Verbrennungen, eines Stromschlages, eines Brandes, von Körperverletzungen oder der Aussetzung zur übermäßigen Mikrowellenstrahlungsenergie zu verringern:

- Lesen Sie alle Anweisungen durch, bevor Sie das Gerät benutzen und bewahren Sie diese als künftige Referenz auf.
- Verwenden Sie das Gerät ausschließlich zu dem vorgesehenen Zweck, wie es in dieser Bedienungsanleitung beschrieben wird. Benutzen Sie keine korrosiven Chemikalien oder Dämpfe in diesem Gerät. Dieser Typ von Öfen ist gezielt entworfen worden, um Nahrungsmittel aufzuwärmen, zu kochen oder zu trocknen. Nicht für industrielle Zwecke oder Laboreinsätze geeignet.
- Bedienen Sie den Mikrowelle nicht, wenn er leer ist.
- Bedienen Sie das Gerät nicht, wenn das Kabel oder der Stecker beschädigt ist, wenn es nicht richtig funktioniert, heruntergefallen ist oder anderweitig beschädigt wurde. Wenn das Stromkabel in jeglicher Weise beschädigt ist, darf es nur vom Hersteller, einer von ihm beauftragten Werkstatt oder einer ähnlich qualifizierten Person ersetzt werden, um Gefährdungen zu vermeiden.
- **WARNUNG:** Erlauben Sie nur dann Kindern den Mikrowelle ohne Aufsicht zu nutzen, sofern sie eine angemessene Einweisung zur sicheren Nutzung des Mikrowelles und den mit dem unsachgemäßen Gebrauch verbundenen Gefahren erhalten haben.
- Um das Risiko eines Brandes im Garraum des Mikrowelles zu verringern:
- Wenn Sie Lebensmittel in einem Plastik- oder Papierbehälter aufwärmen, schauen Sie häufig in den Mikrowelle, um die Möglichkeit einer Entflammung auszuschließen.

- Entfernen Sie alle Wendeknoten von Papier- und Plastiktüten, bevor Sie diese in den Mikrowelle legen.
- Bei Rauch, schalten Sie das Gerät aus oder ziehen Sie den Netzstecker und halten Sie die Tür zu, um die möglichen Flammen zu unterdrücken.
- Benutzen Sie den Garraum nicht für Lagerzwecke. Hinterlassen Sie bei Nichtgebrauch keine Papierprodukte, Kochutensilien oder Lebensmittel im Garraum.
- Die Mikrowelle ist für das Erhitzen von Lebensmitteln und Getränke geeignet. Das Trocknen von Kleidung, das Erhitzen von Wärmepads, Hausschuhen, Schwämmen oder feuchten Stoffen und ähnliches kann zu einem Risiko einer Verletzung, Zündung oder eines Brandes führen.
- **WARNUNG:** Flüssigkeiten oder andere Nahrungsmittel dürfen nicht in geschlossenen Behältern aufgewärmt werden, da sie explosionsfähig sind.
- Die Mikrowellenerwärmung von Getränken kann zu einem verzögerten eruptiven Kochen führen, deswegen muss drauf geachtet werden, vorsichtig mit dem Behälter umzugehen.
- Braten Sie keine Lebensmittel im Mikrowelle. Heißes Öl kann die Mikrowelleteile oder Utensilien beschädigen und sogar zu Hautverbrennungen führen.
- Eier mit ihrer Schale und ganze hart-gekochte Eier dürfen in den Mikrowellenöfen nicht aufgewärmt werden, da sie, sogar nach dem Beenden der Mikrowellenerwärmung, explosionsfähig sind.

- Durchstechen Sie Nahrungsmittel mit den starken Schalen, wie zum Beispiel Kartoffeln, ganze Kürbisse, Äpfel und Maronen vor dem Kochen.
- Der Inhalt der Babyfläschchen und Gläser muss aufgerührt oder geschüttelt werden und die Temperatur muss vor dem Geben überprüft werden, um Verbrennungen zu vermeiden.
- Kochutensilien können durch die Hitze von den erhitzten Lebensmitteln heiß werden. Topflappen können benötigt werden, um die Utensilien zu halten.
- Vergewissern Sie sich, dass Ihre Utensilien für Mikrowellenöfen geeignet sind.
- **WARNUNG:** Dieses Gerät darf nur von qualifiziertem Wartungspersonal gewartet oder repariert werden, was die Entfernung jeder Deckung, die vor der Exposition zur Mikrowellenenergie schützt, umfasst.
- Dieses Produkt ist ein ISM-Gerät der Gruppe 2 Klasse B. Gruppe 2 umfasst alle ISM-Geräte (industrielle, wissenschaftliche, medizinische), in denen Radiofrequenzenergie absichtlich erzeugt und/oder in Form von elektromagnetischer Ausstrahlung zur Bearbeitung von Material, sowie Funkerosionsgeräte, benutzt wird. Klasse B sind Geräte, geeignete für den Hausgebrauch oder für Einrichtungen, die direkt an den Niederspannungsnetzen angeschlossen sind und in Wohngebäuden für die Haushaltszwecke benutzt werden.
- Dieses Gerät ist nicht dafür bestimmt, durch Personen mit eingeschränkten physischen, sensorischen oder geistigen Fähigkeiten

oder mangels Erfahrung und Wissen benutzt zu werden, es sei denn, sie werden durch eine für ihre Sicherheit zuständige Person beaufsichtigt oder erhalten von ihr Anweisungen, wie das Gerät zu benutzen ist.

- Kinder müssen beaufsichtigt werden, um zu garantieren, dass sie mit dem Gerät nicht spielen.
- Die Mikrowelle ist nur freistehend zu benutzen.
- **WARNUNG:** Über einer Herdfläche oder anderen Wärme erzeugenden Geräte nicht installieren. Falls installiert, könnte diese beschädigt werden und die Garantie erlischt.
- Der MikrowellenMikrowelle darf nicht in einen Schrank gestellt werden.
- Die Tür oder die Außenfläche des Gerätes können während des Betriebs heiß werden.
- Warnung: Zugängliche Teile können während der Nutzung heiß werden. Kleine Kinder müssen ferngehalten werden.
- Während der Nutzung wird das Gerät heiß. Vorsicht wird geboten, um den Kontakt mit Heizelementen in dem Mikrowelle oder dem Herd zu vermeiden.
- Die Temperatur der erreichbaren Fläche kann während des Betriebs hoch werden.
- Das Gerät sollte an eine Wand gestellt werden.
- Das Gerät ist nicht dafür bestimmt, durch Kinder oder Personen mit eingeschränkten physischen, sensorischen oder geistigen Fähigkeiten oder mangels Erfahrung und Wissen benutzt zu werden, es

sei denn, sie Aufsicht werden oder die Anweisungen, wie das Gerät zu benutzen ist, erhalten haben.

- **WARNUNG:** Wenn die Tür oder die Türdichtungen beschädigt sind, darf der Mikrowelle nicht bedient werden bis er von einer kompetenten Person repariert worden ist.
- Die Anweisungen stellen fest, dass die Geräte nicht dafür geeignet sind, über eine externe Schaltuhr oder ein separates Fernsteuerungs-System bedient zu werden.
- Der Mikrowellenofen ist nur im Haushalt und nicht kommerziell zu benutzen.
- Entfernen Sie nie den Abstandshalter an der Rückseite oder an den Seiten, da er einen Mindestabstand von der Wand für die Luftzirkulation sichert.
- Bitte befestigen Sie den Drehteller, bevor Sie das Gerät bewegen, um Beschädigungen zu vermeiden.
- **ACHTUNG:** Es ist gefährlich für alle anderen, außer für eine dafür ausgebildete Person, Wartungs- oder Reparaturarbeiten auszuführen, die eine Entfernung einer Abdeckung erfordert, die den Schutz gegen Strahlenbelastung durch Mikrowellenenergie sicherstellt. Das bezieht sich auch auf die Ersetzung des Stromkabels oder der Beleuchtung. In diesen Fällen schicken Sie das Gerät in unser Servicecenter.
- Der Mikrowellenofen ist nur für das Auftauen, Kochen und Dampfgaren des Lebensmittels geeignet.
- Benutzen Sie Handschuhe, um das aufgeheizte Lebensmittel zu entnehmen.



- **Achtung!** Der Dampf wird beim Öffnen der Deckel oder Wickelfolie freigesetzt.
- Das Gerät ist nicht dafür bestimmt, durch Kinder ab 8 Jahren und über und Personen mit eingeschränkten physischen, sensorischen oder geistigen Fähigkeiten oder mangels Erfahrung und Wissen benutzt zu werden, es sei denn, sie werden durch eine für ihre Sicherheit zuständige Person beaufsichtigt oder erhalten von ihr Anweisungen, wie das Gerät zu benutzen ist. Kinder dürfen mit dem Gerät nicht spielen. Die Reinigung und Wartung darf nicht durch Kinder durchgeführt werden, es sei denn Sie sind über 8 Jahre alt und sind betreut.
- Bewahren Sie das Gerät und das zugehörige Netzkabel außerhalb der Reichweite von Kindern unter 8 Jahren auf.
- Dieses Gerät darf von Kindern ab 8 Jahren benutzt werden, sofern diese beaufsichtigt werden oder eine Einweisung in den sicheren Gebrauch des Geräts erhalten haben und die damit verbundenen Gefahren verstehen.
- Bei Rauch, schalten Sie das Gerät aus oder ziehen Sie den Netzstecker und halten Sie die Tür zu, um mögliche Flammen zu ersticken.
- Das Gerät darf nicht benutzt werden, wenn es fallen gelassen wurde, wenn auffällige Zeichen von Beschädigungen sichtbar sind oder wenn es undicht ist
- Die Bedienungsanleitung kann auch auf unsere Seite [www.hkoenig.com](http://www.hkoenig.com) gefunden und heruntergeladen werden.

## **SORGFÄLTIG LESEN UND FÜR DEN SPÄTEREN GEBRAUCH AUFBEWAHREN.**

- Dieses Gerät ist für den Einsatz in häuslichen und ähnlichen Anwendungen vorgesehen, wie z. B. :
  - Personalküchenbereichen in Geschäften, Büros und anderen professionellen Umgebungen ;
  - Bauernhöfen;
  - Gastnutzung in Hotels, Motels und anderen Wohnumgebungen;
  - Umgebungen des Typs "Bed and Breakfast".
- Metallbehälter für Lebensmittel und Getränke sind beim Garen in Mikrowellengeräten nicht zulässig.
- Der Mikrowellenherd ist für das Erwärmen von Speisen und Getränken bestimmt. Beim Trocknen von Lebensmitteln oder Wäsche sowie beim Erwärmen von Heizkissen, Hausschuhen, Schwämmen, nasser Wäsche und ähnlichen Gegenständen besteht Verletzungs-, Entzündungs- und Brandgefahr.
- Das Gerät darf nicht mit einem Dampfreiniger gesäubert werden.

## INSTALLATION

1. Vergewissern Sie sich, dass sämtliche Verpackungsmaterialien von der Innenseite des Bodens entfernt sind.
2. **WARNUNG:** Überprüfen Sie den Mikrowelle auf eventuelle Beschädigungen, wie beispielsweise eine aus den Angeln gehobene oder verbogene Tür, beschädigte Isolierungen, gebrochene oder lose Scharniere oder verbeulte Stellen im Innenraum oder an der Tür. Sollten Sie Schäden feststellen, nehmen Sie den Mikrowelle nicht in Betrieb, sondern wenden Sie sich an qualifiziertes Service-Personal.
3. Dieser Mikrowellen-Mikrowelle muss auf einer ebenen, stabilen Oberfläche platziert werden, die das Gewicht des Geräts und der schwersten Speisen, die im Mikrowelle zubereitet werden, tragen kann.
4. Platzieren Sie den Mikrowelle nicht in der Nähe von Hitze, Feuchtigkeits- oder Luftfeuchtigkeitsquellen oder von entflammaren Materialien.
5. Für einen ordnungsgemäßen Betrieb benötigt der Mikrowelle ausreichende Luftzufuhr. Gewähren Sie dem Gerät einen Abstand zu Wänden und anderen Objekten von mindestens 20 cm nach oben, 10 cm nach Hinten und 5 cm auf beiden Seiten. Verdecken Sie keine der Öffnungen an der Außenwand des Gerätes und entfernen Sie die Standfüße nicht.
6. Betreiben Sie den Mikrowelle nicht, wenn Glas-Teller, Roll-Ring und Achse sich nicht an der korrekten Position befinden.
7. Stellen Sie sicher, dass das Stromkabel unbeschädigt ist und nicht unter dem Gerät oder auf anderen scharfkantigen oder heißen Oberflächen verläuft.
8. Der Stecker muss zu jeder Zeit leicht erreichbar sein, um im Falle eines Notfalls schnell gezogen werden zu können.
9. Verwenden Sie den Mikrowelle nicht draußen.

## FUNKSTÖRUNGEN

Der Betrieb der Mikrowelle kann Funkstörungen bei Ihrem Radio, Fernseher oder ähnlichen Geräten hervorrufen.

Sollte es zu einer solchen Störung kommen, können sie durch folgende Maßnahmen reduziert oder getilgt werden.

1. Reinigen Sie die Tür und die Oberfläche des Mikrowelles.
2. Positionieren Sie die Antenne von Fernseher oder Radio neu.
3. Positionieren Sie die Mikrowelle neu in Bezug auf den Empfänger.
4. Vergrößern Sie den Abstand von der Mikrowelle zum Empfänger
5. Stecken Sie das Stromkabel der Mikrowelle in eine andere Steckdose, damit sich Mikrowelle und Empfänger in unterschiedlichen Stromkreisen befinden.

## HINWEISE ZUM KOCHEN IN DER MIKROWELLE

1. Ordnen Sie die Speisen gewissenhaft an. Platzieren Sie die dicksten Bereiche möglichst am Rand des Geschirrs.
2. Achten Sie auf die Garzeit. Erhitzen Sie die Speisen mit der kürzesten angegebenen Zeit und verlängern Sie die Zeit falls Notwendig. Zu lange erhitzte Speisen können Rauch entwickeln und sich entzünden.
3. Decken Sie die Speisen während des Kochens ab. Das Abdecken verhindert Spritzer und hilft, die Speisen gleichmäßig zu erwärmen.

4. Wenden Sie die Speisen um die Erwärmung beispielsweise von Hähnchen und Burgern zu beschleunigen. Größere Speisen wie zum Beispiel Braten müssen mindestens einmal gewendet werden.
5. Platzieren Sie die Speisen neu. Schieben Sie die Speisen bei der Hälfte der Garzeit vom Rand des Geschirrs in die Mitte und umgekehrt.

## **ERDUNGSVORSCHRIFTEN**

Dieses Gerät muss geerdet sein. Das Gerät ist mit einem Stromkabel mit integriertem Erdungskabel und Erdungsstecker ausgestattet. Es muss mit einer Steckdose verbunden werden, die sachgemäß eingebaut und geerdet ist. Im Falle eines elektrischen Kurzschlusses reduziert die Erdung die Gefahr eines Stromschlages, in dem sie dem Strom die Möglichkeit gibt, zu entweichen. Es wird empfohlen, dieses Gerät an einen eigenen Stromkreis anzuschließen. Der Gebrauch von hohen Spannungen ist gefährlich und kann in einem Feuer oder anderen Unfällen resultieren, die den Mikrowelle beschädigen könnten.

**WARNUNG:** Unsachgemäßer Gebrauch des Erdungskabels erhöht die Gefahr eines Stromschlages.

### *Hinweis:*

1. Sollten Sie Fragen zur Erdung oder anderen technischen Hinweisen haben, wenden Sie sich an einen qualifizierten Elektriker oder das Kundendienstpersonal.
2. Weder der Hersteller, noch der Händler können die Haftung für Schäden am Gerät oder Verletzungen von Personen übernehmen, die aus einem fehlerhaften Anschlussverfahren resultieren.

Die einzelnen Kabel im Netzanschluss sind nach folgender Kodierung eingefärbt.

**Grün-Gelb= SCHUTZLEITER**

**Blau= NULLLEITER**

**Braun= PHASE**

## **BEVOR SIE DEN KUNDENDIENST ANRUFEN**

Falls der Mikrowelle seinen Dienst versagt:

1. Stellen Sie sicher, dass der Stromstecker fest in der Steckdose steckt. Sollte er nicht sicher eingesteckt sein, ziehen Sie den Stecker aus der Steckdose, warten Sie 10 Sekunden und stecken Sie ihn wieder ein.
2. Überprüfen Sie Ihren Sicherungskasten nach herausgesprungenen Sicherungen oder einem abgeschalteten Haupt-Sicherungsschalter. Sollten diese keine Fehler aufweisen testen Sie die Steckdose mit einem anderen Gerät.
3. Überprüfen Sie, ob das Bedienfeld korrekt programmiert ist und Die Schaltuhr korrekt eingestellt wurde.
4. Stellen Sie sicher, dass die Tür des Mikrowelles fest im Sicherheits-Schließmechanismus eingerastet ist. Sollte dies nicht der Fall sein, wird der Mikrowelle nicht mit Strom versorgt.

**FALLS KEINER DIESER HINWEISE HILFT, WENDEN SIE SICH BITTE AN EINEN QUALIFIZIERTEN TECHNIKER. VERSUCHEN SIE NICHT DEN MIKROWELLE EIGENHÄNDIG ZU REPARIEREN.**

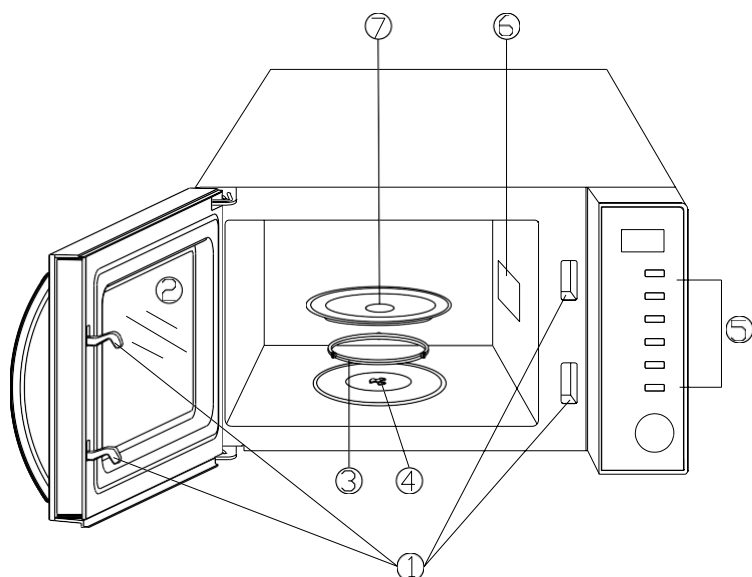
## HINWEISE ZUM GESCHIRR

1. Mikro-Wellen können kein Metall durchdringen. Benutzen Sie ausschließlich die Utensilien, die für die Nutzung in Mikrowellenöfen geeignet sind. Behälter für Lebensmittel und Getränke aus Metall sind während des Mikrowellen-Kochens nicht geeignet. Die Voraussetzungen gelten nicht, wenn der Hersteller die Größe und die Form von Behältern aus Metall angibt, die fürs Kochen in der Mikrowelle passen.
2. Mikro-Wellen können kein Metall durchdringen, so Metall-Geschirr oder Geschirr mit metallischer Ummantelung sollten daher nicht benutzt werden.
3. Verwenden Sie keine Produkte aus recycelten Papier, da diese kleinste Metalteile enthalten können, die Funkenflug und Feuer hervorrufen können.
4. Rundes/ovales Geschirr ist gegenüber eckigem zu bevorzugen, da die Speisen in den Ecken dazu neigen überkocht zu werden.
5. Schmale Streifen aus Aluminium-Folie können beim Grill dazu verwendet werden, das Überkochen an einigen Stellen zu verhindern. Aber seien Sie vorsichtig, nutzen Sie nicht zu viel Folie und halten Sie stets einen Abstand von 1Inch (2,54 cm) zwischen der Innenwand und der Folie.

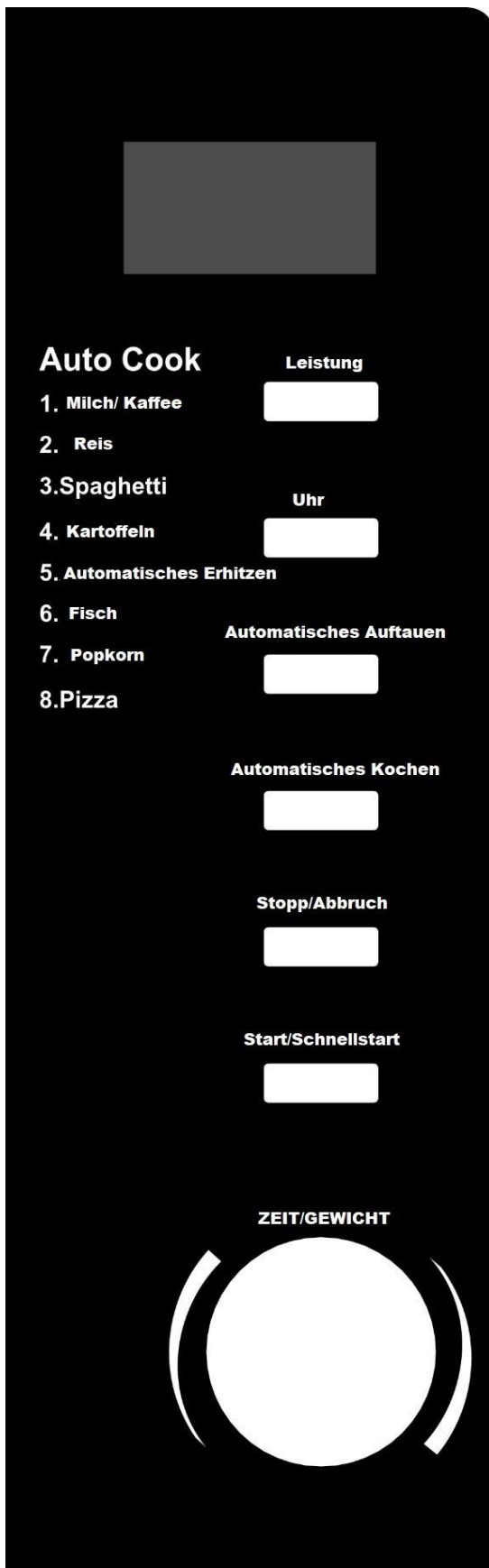
Die folgende Liste gibt Ihnen einen Überblick um das richtige Geschirr auszusuchen.

KOCHGESCHIRR	MIKROWELLE
Hitze-festes Glas	Ja
Nicht Hitze-festes Glas	Nein
Hitze-feste Keramik	Ja
Mikrowellen-sicheres Plastik-Geschirr	Ja
Küchenpapier	Ja
Metall-Schale	Nein
Metall-Gestell	Nein
Aluminium-Folie und Behälter aus Folie	Nein

## BESTANDTEILE




1. Sicherheits-Türschließmechanismus
2. Mikrowelle-Fenster
3. Roll-Ring
4. Achse
5. Bedienfeld
6. Wellen-Auslass (Entfernen Sie bitte nicht die Mikaplatte, die den Wellen-Auslass abdeckt)
7. Glas-Teller



## BEDIENFELD

- **MENÜ-AKTIONSBILODSCHIRM**  
Kochzeit, Leistung, Aktionsanzeigen und die Zeitschaltuhr wird angezeigt.
- **LEISTUNG**  
Drücken Sie auf diese Taste mehrmals, um die Mikrowellen-Kochleistungsstufe zu wählen.
- **ZEITSCHALTUHR**  
Drücken Sie auf diese Taste, um die Mikrowelleuhr zu starten und drücken Sie auf diese noch einmal, um sie zu stoppen.
- **AUTOMATISCHES AUFTAUEN**  
Berühren Sie diese, um Lebensmittel entsprechend dem Gewicht, zu defrostern.
- **AUTOMATISCHES KOCHEN**  
Drücken Sie auf sofortige Einstellung, um beliebte Gerichte zu kochen.
- **STOPP/ABBRECHEN**
  - Drücken Sie auf diese Taste, um eine Einstellung abubrechen oder den Mikrowelle neu zu starten, bevor Sie ein Zubereitungsprogramm wählen.
  - Drücken Sie einmal auf diese Taste, um den Kochvorgang vorläufig einzustellen, oder zweimal, um das Kochen komplett abubrechen.
  - Es kann auch für die Einstellung der Kindersicherung benutzt werden.
- **START/SCHNELLSTART**
  - Drücken Sie auf diese Taste, um ein Zubereitungsprogramm zu starten.
  - Drücken Sie auf diese Taste einfach mehrmals, um das Express-Kochen zu starten, ohne die Leistungsstufe oder die Kochzeit zu wählen.
- **ZEIT/GEWICHT**
  - Drehen Sie die Wählscheibe, um den Zugang zu der Mikrowelleuhr zu bekommen oder die Zubereitungszeit einzugeben.
  - Drehen Sie diese, um das Essensgewicht oder die Portionenanzahl anzugeben.

# EINSTELLUNG DER MIKROWELLESTEUERUNGEN

- Wenn der Mikrowelle ans Netz angeschlossen wird, wird das Display dies anzeigen:  und "1:01".
- Während des Einstellungsmodus (außer Schnellstart-Kochen) wird das System in den Ruhemodus zurückkehren, wenn keine Aktionen innerhalb von 28 Sekunden durchgeführt werden.
- Während des Kochens, wenn Sie auf die STOPP/ABBRUCH Taste einmal drücken oder die Tür öffnen, wird das Programm angehalten; Drücken Sie auf die START/SCHNELLSTART Taste, um fort zu setzen; Wenn jedoch die STOPP/ABBRUCH Taste zweimal gedrückt wird, wird das Programm abgebrochen.
- Sie brauchen nicht auf die STOPP/ABBRUCH Taste zu drücken, um zwischen Mikrowellen-Kochen, automatischem Kochen und Auftauen zu wechseln.
- Während des Schnellstart-Kochens und Mikrowellen-Kochens, können Sie die ZEIT/GEWICHT Wählscheibe drehen, um die Kochzeit zu verlängern oder zu verkürzen.
- Nach dem Kochen wird das Display das Ende mit einem Ton jede zwei Minuten signalisieren, bis der Nutzer die STOPP/ABBRUCH Taste drückt oder die Tür öffnet.
- Das Drücken von Tasten wird jedes Mal durch einen Piepton hörbar sein.

## 1. DIGITALUHR EINSTELLEN

Wenn der Mikrowelle für die Nutzung bereit ist, drücken Sie ein- oder zweimal auf die UHR Taste, um die Digitaluhr für einen 12 oder 24 Stunden Zyklus einzustellen.

*Zum beispiel:* Stellen Sie sich vor, Sie wollen die Mikrowelleuhr auf 08.30 Uhr einstellen.

1. Drücken Sie die UHR Taste ein- oder zweimal.
2. Drehen Sie die ZEIT/GEWICHT Wählscheibe auf die Stundenziffer 8.
3. Drücken Sie auf die UHR Taste.
4. Drehen Sie die ZEIT/GEWICHT Wählscheibe, um die Minutenziffer einzugeben, bis das Display 08.30 Uhr zeigt.
5. Drücken Sie die UHR Taste, um die Einstellung zu bestätigen.

*Hinweis:* Um die Uhrzeit während des Kochens zu überprüfen, drücken Sie einmal auf die UHR Taste.

## 2. SCHNELLSTART

Diese Funktion erlaubt es Ihnen, den Mikrowelle schnell zu starten.

Im Ruhemodus, drücken Sie mehrmals auf die START/SCHNELLSTART Taste, um die Zubereitungszeit einzustellen, der Mikrowelle fängt an zwei Sekunden später mit voller Leistung zu arbeiten. Die maximale einstellbare Kochzeit beträgt 12 Minuten.

## 3. MIKROWELLEN-KOCHEN

Für das Mikrowellen-Kochen drücken Sie einfach mehrmals auf die LEISTUNG Taste, um die Kochleistungsstufe auszuwählen, und dann drehen Sie die ZEIT/GEWICHT Wählscheibe, um die Garzeit einzustellen. Die längste Garzeit beträgt 60 Minuten. Die Mikrowelle fängt an zu kochen sobald die START/SCHNELLSTART Taste gedrückt wird.

Wählen Sie die Leistungsstufe, indem Sie auf die LEISTUNG Taste drücken:

LEISTUNG TASTE DRÜCKEN	KOCHLEISTUNG
Einmal	100%
Zweimal	80%
3 Mal	60%
4 Mal	40%
5 Mal	20%
6 Mal	0%

*Zum beispiel:* Stellen Sie sich vor, Sie wollen auf der 60% Mikrowellenleistung 5 Minuten kochen.

1. Drücken Sie auf die LEISTUNG Taste 3 Mal.
2. Drehen Sie ZEIT/GEWICHT, um die Kochzeit einzugeben.
3. Drücken Sie die START/SCHNELLSTART Taste.

*Hinweis:* Während des Kochend in der Mikrowelle, drücken Sie auf die LEISTUNG Taste, um die aktuelle Leistungsstufe zu sehen. Wenn Sie mit 100% LEISTUNG kochen wollen, lassen Sie den ersten Schritt aus.

#### 4. AUTOMATISCHES AUFTAUEN

Der Mikrowelle ermöglicht das Auftauen von Fleisch, Geflügel und Meeresfrüchten. Die Zeit und die Defrost-Leistung werden automatisch eingestellt sobald das Gewicht eingegeben wird. Der Gewichtsbereich variiert zwischen 100g und 1800g.

*Zum beispiel:* Sie wollen 600g Garnelen defrosten.

1. Platzieren Sie die Garnelen zum Auftauen in dem Mikrowelle.
2. Drücken Sie einmal auf die AUTOMATISCHES AUFTAUEN Taste.
3. Drehen Sie die ZEIT/GEWICHT Wählscheibe, um das 600g GEWICHT zu wählen.
4. Drücken Sie auf die START/SCHNELLSTART Taste.

*Hinweis:* Während des Auftauvorgangs wird das System anhalten und ein Piepton wird Sie dran erinnern, die Lebensmittel in dem Mikrowelle umzudrehen.

#### 5. KINDERSICHERUNG

Benutzen Sie diese, um eine unbeaufsichtigte Nutzung des Mikrowelles von kleinen Kindern zu verhindern. Die KINDERSICHERUNG Anzeige wird auf dem Display auftauchen; der Mikrowelle kann nicht bedient werden, solange die KINDERSICHERUNG eingeschaltet ist.

- Um die KINDERSICHERUNG einzustellen: Halten Sie die STOPP/ABBRUCH Taste für 3 Sekunden gedrückt, Sie werden ein Piepton hören und die Sperre- Lichtanzeige wird angehen.
- Um die KINDERSICHERUNG abzubrechen: Halten Sie die STOPP/ABBRUCH Taste für 3 Sekunden gedrückt, bis die Sperranzeige auf dem Display ausgeht.



## 6. AUTOMATISCHES KOCHEN

Um die Lebensmittel in diesem Modus zu kochen, brauchen Sie die ZEIT und die Kochleistung nicht einzustellen. Es genügt, einfach die Art der Lebensmittel, die Sie zubereiten möchten, zusammen mit dem Gewicht dieser Lebensmittel einzugeben. Während des Kochvorgangs können Sie das aktuelle Menü sehen, indem Sie auf die AUTOMATISCHES KOCHEN Taste drücken.

*Zum Beispiel:* um 400g Fisch zuzubereiten:

1. Drücken Sie mehrmals auf die AUTOMATISCHES KOCHEN Taste, um den Menücode von Fisch (6) zu wählen.
2. Drehen Sie die ZEIT/GEWICHT Wählscheibe, damit diese 400g anzeigt.
3. Drücken Sie auf die START/SCHNELLSTART Taste.

### Automatisches Kochen- Menü

MENUS CODE	MENUS	
1	Milch/ Kaffee(200ml/Tasse)	<ol style="list-style-type: none"><li>1. Drehen Sie die ZEIT/GEWICHT Wählscheibe, um das Gewicht von Lebensmitteln oder die Anzahl der Portionen einzugeben. Für Milch/Kaffee und Kartoffeln wird der Bildschirm die Anzahl der Portionen anzeigen.</li><li>2. Das Ergebnis des automatischen Kochens hängt von Faktoren ab wie z.B. die Form und das Gewicht von Lebensmitteln, Ihre persönlichen Vorlieben bezüglich des Fertigungsgrades von bestimmten Gerichten, oder sogar von der Lage des Essens im Mikrowelle. Wenn Sie von Ergebnissen in jegliche Weise nicht zufriedengestellt sind, passen Sie die Zubereitungszeit entsprechend an.</li><li>3. Für Spagetti fügen Sie kochendes Wasser vor dem Kochen hinzu.</li></ol>
2	Reis (g)	
3	Spaghetti (g)	
4	Kartoffeln (230g/Portion)	
5	Automatisches Erhitzen(g)	
6	Fisch (g)	
7	Popkorn (99g)	
8	Pizza (g)	

## REINIGUNG UND WARTUNG

- Stellen Sie den Mikrowelle ab und entfernen Sie den Stromstecker aus der Steckdose bevor Sie mit der Reinigung des Gerätes beginnen.
- Halten Sie den Innenraum des Mikrowelles sauber. Essensspritzer und verschüttete Flüssigkeiten, die an den Innenwänden haften, können Sie mit einem feuchten Tuch abwischen. Milde Reinigungsmittel können bei stärkeren Verschmutzungen verwendet werden. Vermeiden Sie den Gebrauch von Spray und anderen aggressiven Reinigern, da sie Flecken oder Streifen bilden oder das Sichtfenster trüben können.
- Die äußeren Oberflächen sollten mit einem feuchten Tuch gereinigt werden. Um Schäden im Inneren des Gerätes zu vermeiden, darf kein Wasser in die Lüftungsschlitze eindringen.
- Wischen Sie die Tür und das Sichtfenster von beiden Seiten und auch die Türdichtungen und Bestandteile des Schließmechanismus regelmäßig mit einem feuchten Tuch um Spritzer und Flecken zu entfernen. Benutzen Sie keine Scheuermittel.
- Ein Dampfreiniger darf nicht benutzt werden.
- Lassen Sie das Bedienfeld niemals nass werden. Reinigen Sie es mit einem weichen, feuchten Tuch. Beim Reinigen des Bedienfeldes lassen Sie die Tür offen, um zu vermeiden, dass der Mikrowelle unbeabsichtigt angeht.
- Falls sich beim Betrieb Dampf innerhalb der Mikrowelletür bildet, wischen Sie diese mit einem

weichen Tuch ab. Dies kann vorkommen, wenn das Gerät bei hoher Luftfeuchtigkeit betrieben wird und ist völlig normal.

- Es ist gelegentlich notwendig den Glas-Teller zu entfernen, um ihn zu reinigen. Spülen Sie den Teller in warmem, seifigem Wasser oder legen Sie ihn in die Spülmaschine.
- Der Roll-Ring und der Boden des Mikrowelles sollten regelmäßig gereinigt werden, um Störgeräusche zu vermeiden. Wischen Sie den Boden ganz einfach mit einem milden Reinigungsmittel aus. Der Roll-Ring kann in warmem Seifenwasser oder im Geschirrspüler gewaschen werden. Beim Entfernen des Roll-Rings vergewissern Sie sich, dass er wieder eine richtige Position einnimmt.
- Entfernen Sie störende Gerüche aus dem Mikrowelle, in dem eine Mikrowellen-feste Schüssel mit Wasser, Zitronensaft und der Schale einer ganzen Zitrone füllen und diese 5 Minuten per Mikrowelle erhitzen. Wischen Sie den Mikrowelle danach mit einem weichen Tuch trocken.
- Sollte es notwendig sein, das Mikrowelle-Licht zu ersetzen, wenden Sie sich bitte an den Händler oder an einen qualifizierten Techniker.
- Der Mikrowelle sollte regelmäßig gereinigt und von Essensresten befreit werden. Eine mangelnde Reinigung kann zur Abnutzung der Oberflächen führen, was eine Beeinträchtigung der Lebensdauer des Gerätes zur Folge hat und in gefährlichen Situationen resultieren kann.

- Bitte entsorgen Sie das Gerät nicht im gewöhnlichen Hausmüll, sondern geben Sie es bei einem geeigneten von der Gemeinde zur Verfügung gestellten Entsorgungszentrum ab.

## **GARANTIE**

Die Garantiezeit für unsere Produkte beträgt 2 Jahre, sofern keine anderen Bestimmungen gelten, ab dem Datum des ursprünglichen Kaufs oder ab dem Lieferdatum.

Bei Problemen oder Fragen können Sie sich an unsere Hilfeseiten, Tipps zur Fehlerbehebung, FAQs und Bedienungsanleitungen auf unserer Kundendienst-Website wenden:

<https://sav.hkoenig.com>.

Wenn Sie den Referenznamen Ihres Geräts in die Suchleiste eingeben, erhalten Sie Zugang zu allen verfügbaren Online-Supports.

Wenn Sie immer noch keine Antwort auf Ihre Frage oder Ihr Problem finden, dann klicken Sie auf "Hat die Antwort Ihr Problem gelöst?". Sie können dieses Formular ausfüllen, um Ihre Anfrage zu bestätigen und Hilfe zu erhalten.

## **GARANTIEBEDINGUNGEN**

Die Garantie deckt alle Defekte ab, die bei normalem, bestimmungsgemäßem Gebrauch und den in der Bedienungsanleitung enthaltenen Spezifikationen auftreten.

Diese Garantie gilt nicht für Probleme mit der Verpackung oder dem Transport während des Versands des Produkts durch den Eigentümer. Sie umfasst auch nicht den normalen Verschleiß des Produkts, die Wartung oder den Austausch von Verschleißteilen.

## **AUSSCHLUSS DER GARANTIE**

- Zubehör und Verschleißteile (\*).
- Die normale Wartung des Geräts.
- Alle Defekte, die durch unsachgemäßen Gebrauch (Stöße, Nichteinhaltung der empfohlenen Stromzufuhr, schlechte Nutzungsbedingungen usw.), unzureichende Wartung oder Zweckentfremdung des Geräts auftreten, sowie die Verwendung von ungeeignetem Zubehör.
- Schäden durch äußere Einflüsse: Brand, Wasserschäden, elektrische Überspannung usw.
- Alle Geräte, die von anderen als den befugten Personen (insbesondere dem Nutzer) auch nur teilweise auseinandergelassen wurden.
- Produkte, deren Seriennummer fehlt, beschädigt oder unleserlich ist, sodass sie nicht identifiziert werden können.
- Produkte, die vermietet, vorgeführt oder ausgestellt werden.

(\*) Einige Teile Ihres Geräts, die als Verschleißteile oder Verbrauchsmaterialien bezeichnet werden, verschleiben mit der Zeit und der Häufigkeit der Nutzung Ihres Geräts. Diese Abnutzung ist normal, kann aber durch falsche Nutzung oder Pflege Ihres Geräts noch verstärkt werden. Diese Teile sind daher nicht durch die Garantie abgedeckt.

Das mit dem Gerät gelieferte Zubehör ist ebenfalls von der Garantie ausgeschlossen. Sie können daher weder umgetauscht noch erstattet werden. Einige Zubehöerteile können jedoch direkt über unsere Website <https://sav.hkoenig.com/> erworben werden.

# UMWELT

## ACHTUNG:



Werfen Sie nicht dieses Produkt, wie es mit anderen Haushaltsprodukten hat. Es gibt eine Mülltrennung von diesem Produkt in Gemeinden, Sie müssen Ihre lokalen Behörden über die Orte, wo man dieses Produkt zurückgeben können zu informieren.

■ In der Tat enthalten elektrische und elektronische Produkte gefährliche Stoffe, die schädliche Auswirkungen auf die Umwelt oder die menschliche Gesundheit haben und sollte recycelt werden. Das Symbol hier darauf hinweisen, dass elektrische oder elektronische Geräte sollten sorgfältig ausgewählt werden, ist ein fahrbarer Abfallbehälter mit einem Kreuz markiert.

Adeva SAS / H.Koenig Europe - 8 rue Marc Seguin - 77290 Mitry Mory - France

[www.hkoenig.com](http://www.hkoenig.com) - [sav@hkoenig.com](mailto:sav@hkoenig.com) - [contact@hkoenig.com](mailto:contact@hkoenig.com) - Tél: +33 1 64 67 00 05

## NEDERLAND

*Lees deze instructies zorgvuldig door voor installatie en gebruik van deze magnetron.*

### **VOORZORGSMAATREGELEN OM MOGELIJK BLOOTSTELLING AAN OVERMATIGE MICROGOLVEN TE VERMIJDEN**

1. Probeer niet deze open te gebruiken met de deur open omdat dit kan leiden tot schadelijke blootstelling aan microgolven. Het is belangrijk niet de veiligheidssystemen te veranderen of te omzeilen.
2. Plaats geen objecten tussen de voorkant van de magnetron en de deur en laat geen viezigheid of schoonmaakmiddel zich ophopen op de afdichtingsoppervlaktes.
3. Niet de magnetron gebruiken als deze beschadigd is. Het is uitermate belangrijk dat de magnetron goed sluit en er geen schade is aan de
  - a) Deur (verbogen),
  - b) Scharnieren en borgingen (kapot of los),
  - c) Deurafdichtingen en afdichtingsoppervlaktes.
4. De magnetron mag niet aangepast of gerepareerd worden tenzij het door juist gekwalificeerd personeel gebeurt.

### **BELANGRIJKE VEILIGHEID INSTRUCTIES**

Bij het gebruik van elektrische apparaten moeten de standaard veiligheidsregels worden opgevolgd, waaronder de volgende:

**WAARSCHUWING:** Om het risico op verbranding, elektrische schok, vuur, verwondingen of blootstelling aan overmatige microgolven te verkleinen:

- Lees alle instructies voor gebruik van het apparaat en bewaar deze voor latere naslag.
- Gebruik dit apparaat alleen waar het voor bedoeld is zoals beschreven in deze handleiding. Gebruik geen bijtende chemicaliën of dampen in dit apparaat. Dit type magnetron is specifiek ontworpen voor het verwarmen, bakken of drogen van voedsel. Hij is niet geschikt voor industrieel of laboratoria gebruik.
- Niet de magnetron gebruiken als deze leeg is.
- Niet het apparaat gebruiken als deze een beschadigde kabel of stekker heeft, als het niet goed werkt of beschadigd of gevallen is. Als de stroomkabel beschadigd is, moet het worden vervangen door de fabrikant, een servicemonteur of een gelijkwaardig gekwalificeerd persoon om gevaren te vermijden.
- **WAARSCHUWING:** Kinderen mogen alleen de magnetron zonder toezicht gebruiken als ze voldoende instructies hebben gekregen zodat het kind de magnetron op een veilige manier kan gebruiken en de gevaren van verkeerd gebruik begrijpt.
- Om het risico op vuur in de magnetronruimte te verminderen:
  - Bij het opwarmen van voedsel in een plastic of papieren bakje, de magnetron in de gaten houden voor mogelijke ontbranding.
  - Verwijder sluitstrips van draad van papieren of plastic zakjes voordat u de zak in de magnetron doet.

- Als er rook wordt gezien, schakel het apparaat uit of haal de stekker eruit en hou de deur dicht om vlammen te magnetron.
- Niet de ruimte voor opslag gebruiken. Laat geen papieren producten, kookgerei of voedsel in de ruimte als deze niet in gebruik is.
- De magnetron is bedoeld voor het verwarmen van voedsel en drankjes. Het drogen van kleding en opwarmen van warmtepads, slippers, sponzen, vochtige kleding en dergelijke kan leiden tot verwondingen, ontbranding of vuur.
- **WAARSCHUWING:** Vloeistoffen en ander voedsel mogen niet in afgesloten bakjes worden verwarmd omdat deze mogelijk kunnen ontploffen.
- Het opwarmen van een drankje in de magnetron kan leiden tot overmatig koken, wees daardoor voorzichtig bij het uitnemen van de beker.
- Frituur geen voedsel in de magnetron. Hete olie kan onderdelen van de magnetron en de apparaat beschadigen en kan resulteren tot brandwonden.
- Eieren in hun schaal en hele hardgekookte eieren mogen niet worden opgewarmd in de magnetron omdat ze kunnen exploderen, ook nog na het opwarmen.
- Prik voedsel met een dikke schil zoals aardappelen, hele pompoenen, appels en noten voor het bakken.
- De inhoud van melkflesjes en babyflesjes moeten worden geroerd of geschud en de temperatuur moet worden gecontroleerd voor het serveren om verbrandingen te vermijden.



- Keukengerei kan heet worden doordat de hitte van het verwarmde voedsel wordt doorgegeven. Pannelappen zijn mogelijk nodig om het vast te pakken.
- Keukengerei dient te worden gecontroleerd om te zien of het geschikt is voor gebruik in een magnetron.
- **WAARSCHUWING:** Het is gevaarlijk voor iemand anders dan een getraind persoon onderhoud of reparaties uit te voeren waarbij het nodig is om een afdekking weg te halen wat bescherming biedt tegen de blootstelling van microgolven.
- Dit product is een Groep 2 Klasse B ISM-apparaat. De definitie van Groep 2 bevat alle ISM(industrieel, wetenschappelijk en medisch)-materiaal waar radiofrequentie-energie opzettelijk wordt gegenereerd en/of gebruikt in een vorm van elektromagnetische straling voor de behandeling van materiaal en vonkerosie-apparatuur. Klasse B-apparatuur is apparatuur die geschikt is voor gebruik in huishoudelijke omgevingen en voor omgevingen die aangesloten zijn op een laag voltage netwerk die gebouwen voorziet voor huishoudelijke doeleinden.
- Dit apparaat is niet bedoeld voor gebruik door personen met een beperkt lichamelijk, fysisch of mentale beperking, of een gebrek aan ervaring en kennis, tenzij er toezicht is of instructies zijn voor het gebruik van het apparaat door een persoon verantwoordelijk voor hun veiligheid.
- Kinderen moeten onder toezicht worden gehouden, om te verzekeren dat ze niet met het apparaat spelen.
- De magnetron mag alleen vrijstaand gebruikt worden.

- **WAARSCHUWING:** Plaats de magnetron niet magnetron een fornuis of een ander hitteproducerend apparaat. Als dit gebeurt kan het beschadigd raken en zal de garantie ongeldig verklaard worden.
- De magnetron mag niet in een kast worden geplaatst.
- De deur of de behuizing kan heet worden als het apparaat in gebruik is.
- **WAARSCHUWING:** Tastbare onderdelen kunnen heet worden tijdens gebruik. Jonge kinderen dienen weg te worden gehouden.
- Tijdens gebruik wordt het apparaat heet. Voorzichtigheid is geboden voor vermijding van het aanraken van verwarmingselementen in de magnetron, voor fornuizen en magnetrons.
- De temperatuur van tastbare oppervlaktes kunnen hoog oplopen als het apparaat in gebruik is.
- Het apparaat dient tegen een muur te worden geplaatst.
- Het apparaat mag niet worden gebruikt door kinderen of personen met een beperkte fysieke, zintuiglijke of mentale capaciteiten, of een gebrek aan ervaring en kennis, tenzij er toezicht is of instructies krijgen.
- **WAARSCHUWING:** Als de deur of de deurafdichting beschadigd is, mag de magnetron niet gebruikt worden tot deze gerepareerd is door een vakkundig persoon.
- De instructies geven aan dat het apparaat niet bedoeld is om gebruikt te worden met een externe timer of een apart besturingssysteem.

- De magnetron is alleen voor huishoudelijk gebruik en niet voor commercieel gebruik.
- Nooit de afstandhouder aan de achter- of zijkanten verwijderen, omdat deze voor een minimale afstand tot de muur zorgen voor de luchtstroming.
- Verwijder de draaiplaat voordat u het apparaat verplaatst om beschadigingen te vermijden.
- **WAARSCHUWING:** Het is gevaarlijk het apparaat te onderhouden of repareren door iemand dan een specialist omdat onder deze omstandigheden de afdekking verwijderd dient te worden wat bescherming geeft tegen microgolven. Dit geldt ook voor vervanging van de stroomkabel of verlichting. Stuur in deze gevallen het apparaat naar ons onderhoudscentrum.
- De magnetron is alleen bedoeld voor het ontdooien, bakken en stomen van voedsel.
- Gebruik handschoenen als u verwarmd voedsel eruit haalt.
- **Let op!** Stoom zal vrijkomen bij het openen van deksels of bij het openmaken van folies.
- Dit apparaat kan gebruikt worden door kinderen van 8 jaar en ouder en door personen met beperkte geestelijke of lichamelijke capaciteiten, of met een gebrek aan ervaring en kennis, zolang ze toezicht krijgen of instructies voor het veilig gebruik van dit apparaat hebben gehad en de bijbehorende gevaren begrijpen. Kinderen mogen niet met dit apparaat spelen. Schoonmaken en gebruikersonderhoud mag niet worden uitgevoerd door kinderen, tenzij ze ouder zijn dan 8 jaar en het onder toezicht gebeurt.

- Dit apparaat mag worden gebruikt door kinderen vanaf 8 jaar en ouder indien dit gebeurt onder toezicht, als zij van tevoren instructies hebben ontvangen betreffende het veilige gebruik van het apparaat en als zij de mogelijke gevaren kennen.
- Houd het apparaat en het snoer buiten bereik van kinderen onder de 8 jaar.
- Als er rook vrijkomt, schakel het apparaat uit of haal de stekker eruit en hou de deur dicht om vlammen te dmagnetron.
- Het apparaat mag niet worden gebruikt als het is gevallen, er zijn duidelijke tekenen van schade zichtbaar of er zijn lekken.
- De gebruikershandleiding kan ook worden bekeken en gedownload op onze website: [www.hkoenig.com](http://www.hkoenig.com)

## **ZORGVULDIG TE LEZEN EN TE BEWAREN VOOR TOEKOMSTIG GEBRUIK.**

- Dit apparaat is bedoeld voor gebruik in huishoudelijke en soortgelijke toepassingen zoals :
  - personeelskeukens in winkels, kantoren en andere professionele omgevingen;
  - boerderijen;
  - gebruik door gasten in hotels, motels en andere woonomgevingen;
  - bed and breakfast-omgevingen.
- Metalen containers voor voedsel en dranken zijn niet toegestaan bij het koken in microgolven.
- De magnetron is bedoeld voor het verwarmen van voedsel en dranken. Het drogen van voedsel of was- en verwarmingskussens, pantoffels, sponzen, nat wasgoed en dergelijke kan leiden tot het risico van

letsel, ontsteking of brand.

- Het apparaat mag niet met stoom worden gereinigd.

## INSTALLATIE

1. Zorg dat al het verpakkingsmateriaal verwijderd is van de binnenkant van de deur.
2. **WAARSCHUWING:** Controleer de magnetron op beschadiging, zoals een verkeerd uitgelijnde of beschadigde deur, beschadigde deurafdichting en afdichtingsoppervlak, kapotte of losse scharnieren en sluiting en deuken in de ruimte of in de deur. Als er schade is niet de magnetron gebruiken en contact opnemen met gekwalificeerd onderhoudspersoneel.
3. Deze magnetron dient te worden geplaatst op een vlakke, stabiele ondergrond die het gewicht kan dragen inclusief dat van het zwaarste voedsel dat erin bereid kan worden.
4. Plaats de magnetron niet op een plek waar warmte, nattigheid of hoge luchtvochtigheid wordt gegenereerd, of nabij ontbrandbare materialen.
5. Voor een correcte werking, heeft de magnetron voldoende luchtstroom nodig. Laat 20cm ruimte vrij omagnetron de magnetron, 10cm aan de achterkant en 5cm aan beide zijden. Blokkeer of dek geen openingen af van het apparaat. Niet de pootjes verwijderen.
6. Niet de magnetron gebruiken zonder glazen plaat, rolondersteuning en houder op hun correcte posities.
7. Controleer dat de stroomkabel onbeschadigd is en niet onder de magnetron doorloopt of over hete of scherpe oppervlaktes.
8. Het stopcontact dient makkelijk bereikbaar te zijn zodat de stekker er snel uit gehaald kan worden bij een noodgeval.
9. Gebruik de magnetron niet buiten.

## RADIOSTORING

Het gebruik van de magnetron kan zorgen voor interferentie bij uw radio, tv of dergelijke apparatuur.

Als er interferentie is, kan deze worden verminderd of opgelost worden door de volgende maatregelen:

1. Maak de deur en afdichtingsoppervlak schoon van de magnetron.
2. Verplaats de antenne van de radio of televisie.
3. Verplaats de magnetron met in acht neming van de ontvanger.
4. Verplaats de magnetron verder weg van de ontvanger.
5. Steek de stekker van de magnetron in een ander stopcontact zodat de magnetron en de ontvanger op verschillende circuits zitten.

## MAGNETRON-KOOKTIPS

1. Plaats het voedsel zorgvuldig. Plaats de dikste stukken langs de buitenkant van het bord.
2. Let op de bereidingstijd. Bereid het zo kort mogelijk van de aangegeven tijd en doe het langer als dat nodig blijkt. Voedsel dat overbakken is kan gaan roken of ontbranden.
3. Bedek voedsel af tijdens de bereiding. De afdekking voorkomt spetters en zorgt dat voedsel overal gelijk warm wordt.
4. Draai het voedsel een keer om tijdens de bereiding in de magnetron van voedsel als kip en hamburgers. Grotere stukken zoals een braadstuk dient vaker als één keer te worden

omgedraaid.

5. Verplaats voedsel zoals gehaktballen halverwege door ze om te draaien en in plaats op het midden van het bord aan de buitenkant te leggen.

## AARDINGINSTRUCTIES

Dit apparaat moet worden geaard. Deze magnetron is voorzien van een kabel met een aardedraad en een geaarde stekker. Deze dient te worden gestoken in een wandstopcontact die correct is aangesloten en is geaard. In het geval van een kortsluiting, verkleint de aarding het risico op een elektrische schok door een ontsnappingsroute te bieden aan de elektrische stroom. Het wordt aanbevolen dat de magnetron apart op een groep wordt aangesloten. Het gebruik van hoge spanning is gevaarlijk en kan resulteren in vuur of andere gevaren waardoor de magnetron beschadigd kan worden.

**WAARSCHUWING** Incorrect gebruik van de geaarde stekker kan resulteren in een elektrische schok.

*Opmerking:*

1. Als u vragen over aarding of elektriciteit heeft, neem contact op met een gekwalificeerde elektricien of onderhoudsmonteur.
2. Noch de fabrikant als de dealer kan aansprakelijk worden gesteld voor schade aan de magnetron of persoonlijke verwondingen als gevolg van het niet opvolgen van de elektrische aansluitingen.

De draden in de stroomkabel zijn gekleurd volgens de volgende code:

**Groen en Geel = AARDE**

**Blauw = NEUTRAAL**

**Bruin = FASE**

## VOORDAT U DE HELPDESK BELT

Als de magnetron niet werkt:

1. Controleer dat de stekker van de magnetron goed geplaatst is. Zo niet, haal dan de stekker uit het stopcontact, wacht 10 seconden, en steek hem er dan weer juist in.
2. Controleer of er geen zekering eruit ligt of de hoofdschakelaar uit is. Als deze allemaal juist lijken te werken, test het stopcontact dan met een ander apparaat.
3. Controleer dat het bedieningspaneel juist is geprogrammeerd en de timer is ingesteld.
4. Controleer dat de deur goed is gesloten en dat het veiligheidssluitingssysteem werkt. Anders zullen de microgolven niet in de magnetron blijven.

**ALS NIETS VAN HET BMAGNETRONSTAANDE HET PROBLEEM OPLOST, NEEM DAN CONTACT OP MET EEN GEKWALIFICEERDE MONTEUR. PROBEER NIET ZELF DE MAGNETRON TE REPAREREN OF AAN TE PASSEN.**

## HANDLEIDING KEUKENGEREI

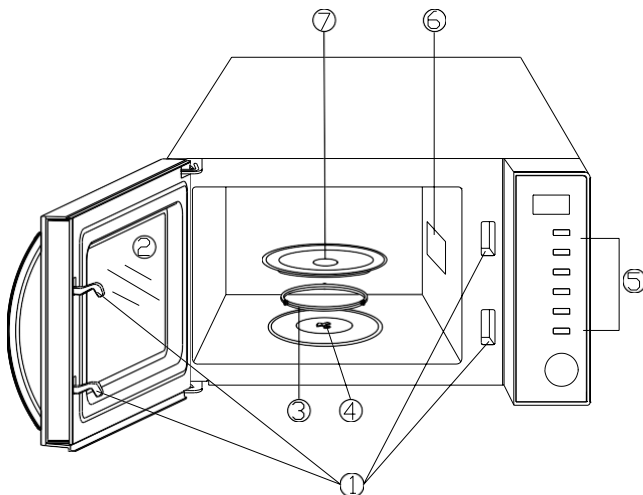
1. Microgolven kunnen niet door metaal gaan. Gebruik alleen gerei dat geschikt is voor gebruik in magnetrons. Metalen bakjes voor voedsel en drankjes niet toegestaan voor bereiding met de magnetron. Dit is geen vereiste als de fabrikant aangeeft dat de vorm en grootte van de metalen bakjes geschikt zijn voor bereiding in een magnetron.

2. Microgolven kunnen niet door metaal gaan, dus metalen bakjes of schalen met metalen randen mogen niet worden gebruikt.
3. Gebruik geen hergebruikte papieren producten bij in de magnetron, omdat ze kleine metalen fragmenten kunnen bevatten wat voor vonken en/of vuur kan zorgen.
4. Ronde/ovale schalen worden aanbevolen b magnetron vierkante/rechthoekige, omdat voedsel in de hoeken overbakken dreigt te raken.
5. Kleine reepjes aluminiumfolie kan worden gebruikt ter voorkoming van het overbakken blootgestelde gebieden. Maar wees voorzichtig, gebruik niet te veel en houd een afstand van 1 inch (2.54cm) tussen de folie en de ruimte.

De lijst hieronder is een algemene leidraad om u te helpen het juiste keukengerie te gebruiken.

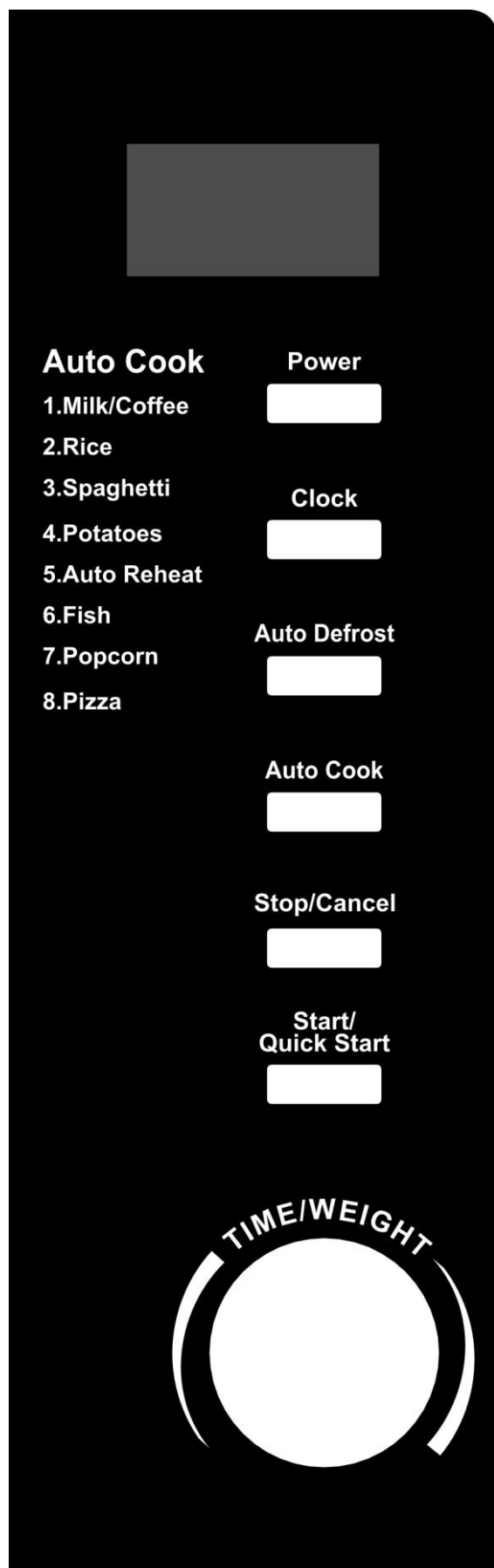
KEUKENGEREI	MAGNETRON
Hitte-bestendig glas	Ja
Niet gitte-bestendig glas	Nee
Hitte-bestendig keramiek	Ja
Magnetronveilige plastic schaal	Ja
Keukenpapier	Ja
Metalen schaal	Nee
Metalen rek	Nee
Aluminiumfolie & bakjes daarvan gemaakt	Nee

## NAMEN ONDERDELEN



1. Deurveiligheidssysteem
2. Magnetronruut
3. Rolring
4. Houder
5. Bedieningspaneel
6. Stralinggeleider (Niet de micaplaat verwijderen die de stralingsgeleider afdekt)
7. Glazen schaal


# BEDIENINGSPANEEL



- **MENUSCHERM**  
Kooktijd, vermogen, actie-indicatoren en tijd worden getoond.
- **POWER**  
Druk een aantal keer op deze knop om het vermogen van de magnetron in te stellen.
- **CLOCK**  
Druk op deze knop om de magnetronklok in te stellen en nogmaals om dat te beëindigen.
- **AUTO DEFROST**  
Druk hierop om voedsel te ontdooien op basis van het gewicht.
- **AUTO COOK**  
Druk op het voorgeprogrammeerde populaire voedsel.
- **STOP/CANCEL**
  - Druk hierop om de instelling te annuleren of de magnetron te resetten voor een kookprogramma.
  - Eenmaal drukken om tijdelijk te stoppen, of twee keer om helemaal te stoppen.
  - Dit wordt ook gebruikt als kinderslot.
- **START/QUICK START**
  - Druk hierop om het programma te laten starten.
  - Druk hier meerdere keren op om de bereiding te beginnen zonder vooraf ingesteld vermogen en kooktijd.
- **TIME/WEIGHT**
  - Draai de knop om de (kook)tijd in te stellen.
  - Draai om het gewicht van het voedsel aan te geven of het aantal porties



# HOE DE DIGITALE BEDIENING GEBRUIKEN

- Als de magnetron voor de eerste keer aangesloten wordt, zal het display  en "1:01" tonen.
- Tijdens de instellen van de modus (behalve bij quick start), zal het systeem terug naar wachtmodus gaan als er binnen 28 seconden niets meer gebeurt.
- Als tijdens de bereiding eenmaal op STOP/CANCEL wordt gedrukt, zal het programma stoppen, druk dan op START/QUICK START om verder te gaan, of druk tweemaal op STOP/CANCEL om het programma te annuleren.
- U hoeft niet op STOP/CANCEL te drukken om te schakelen tussen magnetron, automatisch bereiden en ontdooien.
- Bij gebruik van quick start en magnetron, kunt u aan TIME/WEIGHT draaien om de bereidingstijd te verhogen of te verlagen.
- Als de bereiding klaar is, zal het display End tonen en iedere twee minuten piepen tot er op STOP/CANCEL wordt gedrukt of de deur wordt geopend.
- Iedere keer als een knop wordt ingedrukt zal een piepje klinken om te laten weten dat de knop is ingedrukt.

## 1. INSTELLEN DIGITALE KLOK

Met de magnetron die klaar is voor ingave, druk op CLOCK een- of tweemaal om de digitale klok in een 12- of 24-urige cyclus te zetten.

*Bijvoorbeeld:* Stel uw wilt de magnetronklok instellen op 8:30.

1. Druk één of twee keer op CLOCK.
2. Draai TIME/WEIGHT zodat de indicator van de uren op 8 komt te staan.
3. Druk dan op CLOCK.
4. Draai TIME/WEIGHT zodat de minuten veranderen en het scherm 8:30 toont.
5. Druk CLOCK ter bevestiging.

*Opmerking:* Om de tijd van de klok te zien tijdens de bereiding druk eenmaal op CLOCK.

## 2. QUICK START

Met deze functie kunt u de magnetron snel starten.

In standby-modus druk meerdere keren op START/QUICK START om de bereidingstijd in te stellen, de magnetron zal 2 seconden later met vol vermogen starten. De langste bereidingstijd die ingesteld kan worden is 12 minuten.

## 3. MAGNETRON

Voor het gebruik van de magnetron druk op POWER, meerdere keren om het vermogen in te stellen en draai aan TIME/WEIGHT om de bereidingstijd in te stellen. De langste bereidingstijd is 60 minuten. De magnetron zal beginnen als de START/QUICK START wordt ingedrukt.

Kies het vermogen door POWER te drukken:

<b>DRUK OP POWER</b>	<b>VERMOGEN</b>
Eenmaal	100%
Tweemaal	80%
3 keer	60%
4 keer	40%
5 keer	20%
6 keer	0%

*Bijvoorbeeld:* U wilt iets 5 minuten bereiden met 60% vermogen.

1. Druk op drie keer POWER.
2. Draai aan TIME/WEIGHT om de kooktijd in te voeren.
3. Druk op START/QUICK START.

*Opmerking:* Bij gebruik van de magnetron, druk op POWER om het huidige vermogen te controleren. Als u met 100% vermogen wilt werken, sla dan de eerste stap over.

#### **4. AUTOMATISCH ONTDOOIEN**

Met de magnetron kunt u vlees, gevogelte en zeevruchten ontdooien. De tijd en het vermogen worden automatisch aangepast als het gewicht wordt ingevoerd. Het bereik van bevroren voedsel ligt tussen 100g en 1800g.

*Bijvoorbeeld:* Stel u wilt 600g garnalen ontdooien.

1. Plaats de garnalen die ontdooid moeten worden in de magnetron.
2. Druk eenmaal op AUTO DEFROST.
3. Draai TIME/WEIGHT om het gewicht 600g te kiezen.
4. Druk op START/QUICK START.

*Opmerking:* Tijdens het ontdooien, zal het systeem pauzeren en een piepen om u te helpen herinneren het voedsel in de magnetron om te draaien.

#### **5. KINDERBEVEILIGING**

Gebruik dit om te voorkomen dat de magnetron gebruikt wordt door kleine kinderen zonder toezicht. De CHILD LOCK-indicator zal gaan branden op het display en de magnetron kan niet gebruikt worden als de CHILD LOCK is ingesteld.

- Om de CHILD LOCK in te stellen: Druk en hou STOP/CANCEL 3 seconden ingedrukt, er klinkt een piepje en de indicator zal gaan branden.
- Om de CHILD LOCK uit te schakelen: Druk en hou STOP/CANCEL 3 seconden ingedrukt tot de indicator uitgaat.

#### **6. AUTOMATISCH BEREIDEN**

Voor voedsel in de volgende bereidingsmodus is niet noodzakelijk de duur en het vermogen van het programma in te stellen. Het is voldoende aan te geven welk type voedsel u wilt bereiden en

hoeveel het weegt. Tijdens de bereiding kunt u de huidige bereidingsmodus controleren door op AUOT COOK te drukken.

*Bijvoorbeeld:* om 400g vis te bereiden.

1. Druk meermaals op AUTO COOK om menucode 6 voor vis te kiezen.
2. Draai TIME/WEIGHT om het gewicht 400g te kiezen.
3. Druk op START/QUICK START.

Automatisch bereiden

MENUCODES	MENU'S	
1	Melk/Koffie (200ml/beker)	<ol style="list-style-type: none"><li>1. Draai TIME/WEIGHT om het gewicht of aantal porties aan te geven. Voor melk/koffie en aardappelen, zal het scherm het aantal porties tonen.</li><li>2. Het resultaat van automatische bereiding hangt af van factoren van de vorm en grootte van het voedsel, uw persoonlijke voorkeur van de gaarheid van bepaald voedsel en hoe het voedsel geplaatst is in de magnetron. Als het niet tevreden bent met het resultaat, kunt u bereidingstijd aanpassen.</li><li>3. Voeg bij spaghetti kokend water toe voor een beter resultaat.</li></ol>
2	Rijst (g)	
3	Spaghetti (g)	
4	Aardappelen (230g/stuk)	
5	Auto opwarmen (g)	
6	Vis (g)	
7	Popcorn (99g)	
8	Pizza (g)	

## SCHOONMAKEN EN ONDERHOUD

- Schakel de magnetron uit en haal de stekker uit het stopcontact voor het schoonmaken.
- Hou de binnenkant van de magnetron schoon. Als er voedselresten of gemorste vloeistoffen op de magnetronwanden zitten, veeg dit dan af met een vochtige doek. Een mild schoonmaakmiddel kan gebruikt worden als de magnetron erg smerig is. Vermijd het gebruik van spuitmiddelen en andere agressieve schoonmaakmiddelen, omdat ze mogelijk voor vlekken, strepen of dofheid zorgen.
- De buitenkant dient te worden schoongemaakt met een vochtige doek. Om schade te voorkomen aan de

operationele delen van de magnetron, mag er geen water de ventilatieopeningen inlopen.

- Veeg beide zijden van de deur en ruit, deurafdichtingen, een aanliggende delen regelmatig schoon met een vochtige doek om morsingen en spetters te verwijderen. Gebruik geen bijtende schoonmaakmiddelen.
- Een stoomreiniger mag niet gebruikt worden.
- Laat het bedieningspaneel niet nat worden. Veeg deze af met een zachte, vochtige doek. Bij het schoonmaken van het bedieningspaneel, de magnetrondeur open laten staan ter voorkoming dat de over per ongeluk aangaat.
- Als stoom zich ophoopt aan de binnenkant of rond de buitenkant van de magnetrondeur, veeg dit af met een zachte doek. Dit kan gebeuren als de magnetron gebruikt wordt onder een erg luchtvochtige omgeving. En dit is normaal.
- Het is noodzakelijk af en toe om de glazen schaal te verwijderen om deze schoon te maken. Was de schaal in een warm sopje of in een vaatwasser.
- De rolring en bodem van de magnetron dienen regelmatig schoongemaakt te worden om overmatig geluid te vermijden. Veeg de bodem van de magnetron simpelweg schoon met een mild schoonmaakmiddel. De rolring mag worden gewassen in een mild sopje of een vaatwasser. Bij het verwijderen van de rolring uit de ruimte voor het schoonmaken, dient u deze weer op dezelfde manier terug te plaatsen.

- Verwijder geuren van uw magnetron door een kop water met het sap en schil van een citroen in magnetrongeschikte schaal te doen, en 5 minuten de magnetron te gebruiken. Goed droog vegen met een zachte doek.
- Als het nodig is de magnetronverlichting te vernieuwen, neem contact op met de dealer om deze te vervangen.
- De magnetron dient regelmatig schoongemaakt te worden en voedselresten dienen te worden verwijderd. Het niet schoon houden van de magnetron kan leiden tot aantasting van het oppervlak wat een slechte invloed kan hebben op de levensduur van het apparaat en is mogelijk ook gevaarlijk.
- Gooi dit apparaat niet bij het huishoudelijk afval; het moet worden afgevoerd naar een milieustraat die aangegeven wordt door de gemeente.

## **GARANTIE**

De garantieperiode op onze producten is 2 jaar, tenzij anders vermeld, beginnend vanaf de datum van de initiële aankoop of bezorgdatum.

Als u problemen of vragen heeft, kunt u eenvoudig onze hulppagina's bezoeken voor tips om problemen op te lossen, de FAQ's en andere gebruikershandleidingen op onze website:

<https://sav.hkoenig.com>.

Door de referentiernaam van uw apparaat in de zoekbalk te typen, krijgt u toegang tot alle beschikbare online hulpmiddelen, ontworpen om aan uw behoeften te voldoen.

Als u toch niet een antwoord op uw vraag kunt vinden, klik dan op "Heeft het antwoord uw probleem opgelost? Hierdoor gaat u naar het Aanvraagformulier voor Klantenondersteuning, dat u in kunt vullen om uw verzoek te valideren en hulp te ontvangen.

## **GARANTIEVOORWAARDEN**

De garantie dekt alle mankementen die voortkomen uit normaal gebruik, volgens de sectie gebruik en specificaties in de gebruikershandleiding.

Deze garantie omvat niet verpakkings- of transportproblemen tijdens het vervoer van het product door de eigenaar. Het omvat ook niet de normale slijtage van het product, noch het onderhoud of vervangen van verbruiksartikelen.

## UITSLUITINGEN VAN DE GARANTIE

- Accessoires en verbruiksartikelen (\*).
- Normaal onderhoud van het apparaat.
- Alle mankementen veroorzaakt door verkeerd gebruik (schokken, het niet opvolgen van de aanbevolen stroomvoorziening, in slechte omstandigheden gebruiken, etc.), onvoldoende onderhoud of ondeugdelijk gebruik van het apparaat, alsook het gebruik van ongeschikte accessoires.
- Schade van buitenaf: vuur, waterschade, elektrische stroompiek, etc.
- Apparaten die uit elkaar zijn gehaald, ook gedeeltelijk, door personen die niet er niet gekwalificeerd voor zijn (zoals de gebruiker).
- Producten waarvan het serienummer verdwenen, beschadigd of onleesbaar is, waardoor we het niet kunnen identificeren.
- Producten die verhuurd werden of ter demonstratie of showmodel waren.

(\*) Sommige onderdelen van uw apparaat, genaamd verbruiksartikelen, slijten naar verloop van tijd en bij veel gebruik van uw apparaat. Deze slijtage is normaal, maar kan verergerd worden door slechte omstandigheden of onderhoud van uw apparaat. Deze onderdelen worden daarom niet gedekt door de garantie.

De accessoires meegeleverd met het apparaat zijn ook uitgesloten van de garantie. Ze kunnen niet vervangen of gerestitueerd worden. Echter, sommige accessoires zijn te koop via onze website: <https://sav.hkoenig.com/>.

## MILIEU

### ATTENTIE:



Dit apparaat mag niet met uw ander huishoudelijke toestellen worden verwijderd. Dit product moet op een geselecteerde stortplaats verwijderd worden. U kunt bij de gemeente een indiceerde plaats aanvragen. Elektrisch en elektronische producten kunnen gevaarlijke stoffen inhouden die schadelijk zijn voor mensen en het milieu en moet recycled worden. Het symbool aan de kant geeft aan dat het een elektrisch en elektronisch toestel is en zijn dus artikelen van een selectieve collectie. Het beeld geeft een afvalbak met een X teken aan.

# ESPAÑOL

*Lea estas instrucciones detalladamente antes de instalar y utilizar su microondas de microondas.*

## **PRECAUCIONES PARA EVITAR UNA POSIBLE EXPOSICIÓN A ENERGÍAS DE MICROONDAS EXCESIVAS**

1. No intente operar este microondas con la puerta abierta, esto puede provocar una exposición nociva a la energía de microondas. Es importante no quebrar ni obstruir los cierres de seguridad.
2. No coloque ningún objeto entre la puerta y el frente de la cavidad del microondas, ni permita que residuos de suciedad o de productos de limpieza se acumulen en las superficies de cierre.
3. No opere el microondas si está dañado. Es particularmente importante que la puerta del microondas cierre correctamente y que no hayan daños en:
  - a) Puerta (desalineada o doblada),
  - b) Bisagras y pestillos (rotos o sueltos),
  - c) Sellos de la puerta y superficies de cierre.
4. El microondas no debe ser ajustado ni reparado por alguien que no sea del personal técnico propiamente calificado.

## **INSTRUCCIONES DE SEGURIDAD IMPORTANTES**

Para utilizar un electrodoméstico debe acatar ciertas precauciones básicas de seguridad, incluyendo las siguientes:

**ADVERTENCIA:** Para reducir el riesgo de quemaduras, descargas eléctricas, incendios, lesiones corporales o la exposición a energías de microondas excesivas:

- Lea todas las instrucciones antes de usar el microondas de microondas y guárdelas para futuras consultas.
- Use este electrodoméstico sólo para los fines previstos en este manual. No utilice productos químicos corrosivos o vapores en este aparato. Este tipo de microondas está diseñado específicamente para calentar, cocinar o secar alimentos. No está concebido para usos industriales ni de laboratorio.
- No utilice el microondas con su cavidad vacía.
- No utilice este microondas si el cable de alimentación o el enchufe están dañados, o si el aparato propiamente dicho no está funcionando como debería, está en mal estado o se ha caído. Si el cable de alimentación está deteriorado debe ser reemplazado por el fabricante, su personal técnico o un especialista similar para evitar riesgos desnecesarios.
- **ADVERTENCIA:** A los niños se les puede permitir el uso del microondas sin supervisión única y exclusivamente cuando hayan recibido las instrucciones adecuadas para utilizar el aparato de forma segura y hayan entendido los peligros que acarrea un uso inapropiado.
- Para reducir el riesgo de incendio dentro de la cavidad del microondas:
- Cuando caliente alimentos en envases de papel o plásticos, verifique regularmente el microondas para prevenir una posible combustión.



- Retire las torceduras de alambre de las bolsas de papel o de plástico antes de introducirlas en el microondas.
- Si observa humo, apague el aparato inmediatamente o desenchúfelo del tomacorriente y mantenga su puerta cerrada para extinguir posibles llamas.
- No use la cavidad del microondas como local de almacenamiento. No deje productos de papel, utensilios de cocina o alimentos dentro de la cavidad cuando no esté en uso.
- El microondas de microondas está diseñado para calentar alimentos y bebidas. Secar ropas y calentar almohadillas térmicas, pantuflas, esponjas, trapos húmedos o similares pueden ocasionar lesiones, combustión o incendio.
- **ADVERTENCIA:** Los líquidos u otros alimentos no deben ser calentados en recipientes cerrados ya que estos son proclives a explotar.
- Las bebidas calentadas por microondas pueden hervir de forma violenta incluso después de sacarlas del microondas, por lo que debe tener cuidado al manipular el recipiente.
- No utilice el microondas para freír alimentos. El aceite caliente puede dañar las piezas del microondas y sus accesorios e incluso provocar quemaduras en la piel.
- Los huevos enteros con cáscara, naturales o duros, no se deben calentar en microondas de microondas ya que pueden explotar incluso después de haberlos sacado del microondas.

- Alimentos con cáscaras densas como patatas, calabazas enteras, manzanas y castañas, deben ser perforados antes de colocarlos para cocción.
- Debe agitar o sacudir el contenido de biberones y frascos para bebés en general, así como verificar su temperatura antes de servirlo para evitar quemaduras.
- Los utensilios de cocina pueden calentarse debido al calor transferido por los alimentos calentados. Puede que necesite agarraderas para manipular el utensilio.
- Debe revisar los utensilios que pretende utilizar para garantizar que puedan ser usados en el microondas de microondas.
- **ADVERTENCIA:** Es peligroso que alguien que no sea un especialista calificado realice cualquier servicio o reparación que implique quitar cualquiera de las cubiertas de protección contra la exposición a la energía de microondas.
- Este microondas de microondas es un equipo ISM del Grupo 2 Clase B. La definición del Grupo 2 incluye todos los equipos ISM (Industrial, Científico y Médico) en los que intencionalmente se genera energía de radiofrecuencia y/o la utilizan en forma de radiación electromagnética para el tratamiento de materiales y en equipos de soldadura por arco. Por ser de la Clase B, el equipo es adecuado para el uso en establecimientos domésticos y en locales directamente conectados a una red eléctrica de baja tensión que abastezca a instalaciones utilizadas para fines domésticos.

- Este electrodoméstico no debe ser usado por personas con discapacidad física, sensorial o motora, o con falta de experiencia y conocimiento, a menos que sean supervisadas o hayan sido instruidas en el uso del aparato por una persona responsable por su seguridad.
- Los niños deben ser supervisados para garantizar que no jueguen con el aparato.
- El microondas de microondas sólo se utiliza de forma autónoma.
- **ADVERTENCIA:** No coloque el microondas sobre una placa de cocción, anafe u otro artefacto que produzca calor. De hacerlo, el microondas podría dañarse y eso anularía la garantía.
- La puerta o las superficies accesibles pueden calentarse con el microondas en funcionamiento.
- El microondas de microondas deberá colocarse contra una pared.
- **ADVERTENCIA:** las partes accesibles del microondas pueden calentarse durante el uso. Los niños pequeños deben mantenerse alejados.
- Durante el uso, los aparatos se calientan. Evite tocar los elementos dentro del microondas.
- La temperatura de las superficies accesibles puede ser alta cuando el microondas está funcionando.
- El aparato debe colocarse contra una pared.
- El microondas de microondas no debe ser utilizado por niños o personas con capacidades físicas, sensoriales o mentales reducidas, o con falta de

experiencia y conocimiento, a menos que se les haya dado supervisión o instrucción.

- **ADVERTENCIA:** Si la puerta o los sellos de la puerta están dañados, es imperativo que no utilice el horno hasta que sea reparado por una persona competente.
- Se reitera la indicación de que los electrodomésticos no son diseñados para ser operados a través de un temporizador externo ni por un sistema de control remoto.
- El microondas de microondas es para uso doméstico únicamente y no para uso comercial.
- Nunca retire el soporte separador en la parte trasera o en los laterales ya que este garantiza la distancia mínima desde la pared para la circulación de aire.
- Asegure la bandeja de vidrio antes de mover el aparato para evitar que se dañe.
- **PRECAUCIÓN:** Es peligroso que alguien que no sea un especialista repare o le de mantenimiento al microondas, porque en estas circunstancias hay que retirar la cubierta de protección contra la radiación de microondas. Esto también se aplica al reemplazo del cable de alimentación o la bombilla. En esos casos, envíe el aparato a nuestro centro de servicios.
- El microondas de microondas está diseñado únicamente para la descongelación y la cocción normal o al vapor de alimentos.
- Use guantes para retirar cualquier alimento caliente del microondas.
- **PRECAUCIÓN:** Se desprende vapor al abrir las tapas de los recipientes o el papel de embalajes.

- Este electrodoméstico puede ser utilizado por niños mayores de 8 años y personas con discapacidad física, sensorial o motora, o con falta de experiencia y conocimiento, siempre que hayan recibido supervisión o instrucciones en el uso del aparato de forma segura y entienden los peligros involucrados. La limpieza y el mantenimiento a cargo del usuario no deben ser realizados por niños, a menos que sean mayores de 8 años y estén bajo la supervisión de un adulto.
- Mantenga el aparato y su cable eléctrico fuera del alcance de niños de menos de 8 años.
- Este aparato puede ser utilizado por niños de al menos 8 años de edad, siempre que cuenten con supervisión y hayan recibido instrucciones sobre el uso seguro del electrodoméstico y sean plenamente conscientes de los peligros que implica.
- Si el microondas emite humo, apáguelo o desenchúfelo y mantenga la puerta cerrada para sofocar las llamas.
- El dispositivo no debe utilizarse si se ha caído, si hay signos evidentes de daño o si hay fugas.
- Este manual también se encuentra disponible para la descarga desde nuestro sitio web: [www.hkoenig.com](http://www.hkoenig.com)

## **LEA CUIDADOSAMENTE Y GUARDE PARA UN USO FUTURO.**

- Este dispositivo está destinado a ser utilizado en aplicaciones domésticas y similares como :
  - áreas de cocina del personal en tiendas, oficinas y otros entornos profesionales ;

- granjas;
- uso de huéspedes en hoteles, moteles y otros entornos residenciales;
- entornos de tipo cama y desayuno.

- No se permite el uso de recipientes metálicos para alimentos y bebidas al cocinar en microondas.
- El horno de microondas está destinado a calentar alimentos y bebidas. El secado de alimentos o de ropa y el calentamiento de almohadillas, zapatillas, esponjas, ropa húmeda y artículos similares pueden provocar el riesgo de lesiones, ignición o incendio.
- El aparato no debe limpiarse con vapor.

## INSTALACIÓN

1. Asegúrese de retirar todo el material de embalaje y los accesorios que están en la cavidad del microondas.
2. **ADVERTENCIA:** Verifique que el microondas no esté dañado, por ejemplo: puerta desalineada o doblada, daños en los sellos de la puerta y superficies de cierre, bisagras y pestillos de la puerta rotos o sueltos y abolladuras dentro de la cavidad o en la puerta. Si percibe algún daño, no utilice el microondas y póngase en contacto con el personal técnico calificado.
3. Este microondas debe colocarse sobre una superficie plana y estable que soporte su peso en conjunto con los alimentos más pesados que pretenda cocinar en el microondas.
4. No coloque el microondas donde se pueda producir calor o humedad, ni cerca de materiales inflamables.
5. Para un funcionamiento correcto, el microondas debe tener un buen flujo de aire. Deje 20 cm de espacio encima del microondas, 10 cm en la parte trasera y 5 cm en ambos lados. No cubra ni obstruya los conductos de ventilación del aparato. No quite las patas de apoyo.
6. No utilice el microondas sin la bandeja de vidrio, el aro giratorio y el eje debidamente acomodados en sus posiciones.
7. Asegúrese de que el cable de alimentación no esté dañado y que no quede debajo del microondas o sobre cualquier superficie caliente o afilada.
8. El tomacorriente para el enchufe tiene que estar en un lugar de fácil acceso para que pueda desenchufar el aparato rápidamente en caso de emergencia.
9. No utilice el microondas a la intemperie.

## INTERFERENCIAS DE RADIO

El funcionamiento del microondas de microondas puede causar interferencias en la señal de su radio, televisor o equipos similares. Cuando haya interferencias, estas pueden ser reducidas o eliminadas adoptando las medidas siguientes:

1. Limpie la puerta y las superficies de cierre del microondas.
2. Cambie la orientación de la antena de su radio o televisor.
3. Cambie la posición del microondas de microondas con respecto al receptor.
4. Aleje el microondas de microondas del receptor.
5. Enchufe el microondas de microondas en otro tomacorriente, de modo el microondas y el receptor estén conectados a ramales eléctricos diferentes.

## PRINCIPIOS DE COCCIÓN CON MICROONDAS

1. Acomode los alimentos con cautela. Coloque las áreas más gruesas hacia fuera del plato.
2. Esté atento al tiempo de cocción. Cocine por el menor tiempo sugerido y prolongue cuando sea necesario. Los alimentos muy pasados de cocción pueden echar humo o incendiarse.
3. Cubra los alimentos durante la cocción. Esto evita salpicaduras y favorece una cocción uniforme.
4. Voltee los alimentos una vez durante la cocción con microondas, esto acelera la cocción de alimentos como pollo y hamburguesas. Piezas grandes como los asados deberán ser volteadas por lo menos una vez.
5. Reacomode alimentos como las albóndigas a mitad del tiempo de cocción, tanto de arriba hacia abajo como desde el centro del plato hacia fuera.

## INSTRUCCIONES DE CONEXIÓN A TIERRA

Este aparato tiene que estar conectado a tierra. Este microondas cuenta con un cable de alimentación con conexión a tierra a través de un enchufe de tres clavijas, una de las cuales es para la conexión a tierra. El cable debe enchufarse a un tomacorriente de pared correctamente instalado y conectado a tierra. En caso de cortocircuito, la conexión a tierra reduce el riesgo de descarga eléctrica al proporcionar un cable de escape para la corriente. Se recomienda conectar el microondas a un ramal eléctrico independiente. El uso de voltajes superiores al indicado es peligroso y puede provocar un incendio u otro accidente perjudicial para el microondas.

**ADVERTENCIA:** El uso incorrecto de la clavija de tierra del enchufe puede provocar descargas eléctricas.

### *Observaciones:*

1. Si tiene alguna duda sobre las instrucciones para la conexión a tierra o el sistema eléctrico, consulte a un electricista calificado o al personal técnico.
2. El fabricante y el distribuidor están exentos de cualquier responsabilidad por daños materiales o lesiones que resulten del incumplimiento de los procedimientos establecidos para la conexión eléctrica del aparato.

Los alambres por dentro del cable de alimentación obedecen el siguiente código de colores:

**Verde y Amarillo = TIERRA**

**Azul = NEUTRO**

**Marrón = VIVO**



# ANTES DE ACUDIR AL CENTRO DE SERVICIOS

## Si el microondas no funciona normalmente:

1. Compruebe que el cable de alimentación del microondas esté bien enchufado. Si no lo está, retire el enchufe del tomacorriente, espere 10 segundos y vuelva a enchufarlo que quede bien firme.
2. Verifique si hay un fusible quemado o un disyuntor disparado en el circuito principal. Si estos parecen estar funcionando correctamente, verifique que el tomacorriente funcione con otro aparato.
3. Compruebe que el panel de control esté programado correctamente y que el temporizador esté configurado.
4. Compruebe que la puerta esté firmemente cerrada con el bloqueo de seguridad activado. De lo contrario, la energía de microondas no llegará a la cavidad del microondas.

**SI NINGUNA DE ESTAS ACCIONES REMEDIA LA SITUACIÓN, ENTONCES CONTACTE A UN TÉCNICO CALIFICADO. NO INTENTE DESMONTAR O REPARAR EL MICROONDAS POR USTED MISMO.**

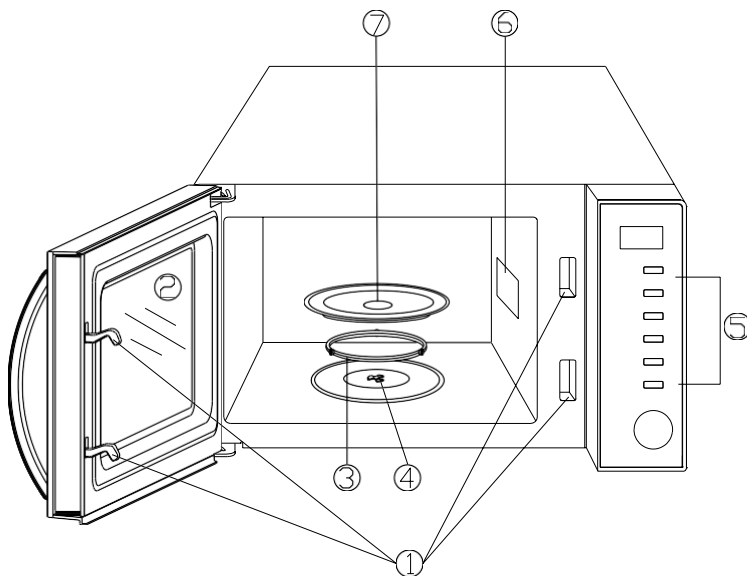
## GUÍA DE UTENSILIOS

1. Las microondas no traspasan el metal. Use solamente los utensilios indicados para microondas de microondas. Los recipientes metálicos en los que vienen alimentos y bebidas no son aptos para la cocción por microondas. Siempre respete estas restricciones, a menos que se trate de recipientes metálicos aprobados específicamente por el fabricante, cuya forma y tamaño sean adecuados para la cocción por microondas.
2. Las microondas no penetran el metal, por lo tanto, no introduzca utensilios de metal ni platos con ribetes metálicos dentro del microondas.
3. No use embalajes de papel reciclado para la cocción con microondas ya que estos pueden contener pequeños fragmentos de metal que pueden provocar chispas o incendios.
4. Se recomienda el uso de platos redondos u ovalados en lugar de cuadrados o rectangulares para evitar que los alimentos se pasen del punto de cocción en las esquinas.
5. Puede usar cintas de papel de aluminio para prevenir la cocción excesiva de las áreas expuestas. Pero tenga cuidado para que no sean demasiadas y deje una distancia mínima de 1 pulgada (2,54 cm) entre la cinta de aluminio y la cavidad del microondas.

La siguiente lista es una guía general para ayudarle a escoger los utensilios adecuados.

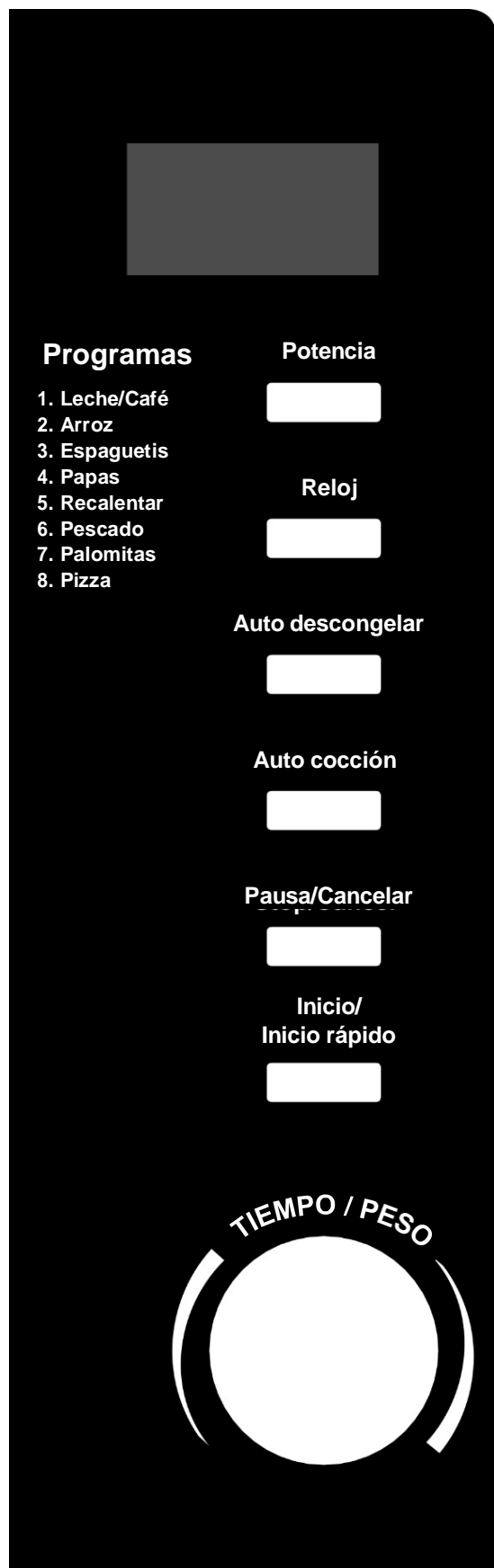
UTENSILIO DE COCINA	MICROONDAS
Cristalería resistente al calor	Si
Cristalería no resistente al calor	No
Alfarería y cerámica resistente al calor	Si
Envases de plástico para Microondas	Si
Papel de cocina	Si
Bandeja de metal	No
Porta platos de metal	No
Envases o láminas de Aluminio	No

## COMPONENTES Y ACCESORIOS




1. Sistema de cierre de seguridad.
2. Puerta del microondas.
3. Aro giratorio
4. Eje del sistema giratorio
5. Panel de control.
6. Dispersor de microondas (Atención: nunca retire la placa de mica que protege al dispersor de microondas).
7. Bandeja de vidrio.

## PANEL DE CONTROL



- **PANTALLA DEL MENÚ**  
La pantalla muestra el tiempo de cocción, la potencia ajustada, el programa de cocción activo y la hora del reloj.
- **POTENCIA**  
Presione este botón de forma sucesiva para ajustar la potencia de microondas deseada para la cocción.
- **RELOJ**  
Presione este botón para habilitar el ajuste de la hora en el reloj del microondas y vuelva a presionarlo para terminar el ajuste.
- **AUTO DESCONGELAR**  
Presione este botón para auto descongelar alimentos por peso.
- **AUTO COCCIÓN**  
Presione este botón para seleccionar uno de los programas de cocción automática ya configurados para ciertos alimentos.
- **PAUSA/CANCELAR**
  - Presione este botón para cancelar el ajuste actual o reiniciar el microondas antes de configurar un nuevo programa de cocción.
  - Presione el botón una sola vez para pausar momentáneamente la cocción, o dos veces para cancelar el programa por completo.
  - Este botón también sirve para activar el bloqueo de seguridad del microondas a prueba de niños.
- **INICIO/INICIO RÁPIDO**
  - Presione este botón para iniciar un programa de cocción.
  - Presione el botón de forma sucesiva para iniciar la cocción rápida sin necesidad de configurar la potencia y el tiempo de cocción anticipadamente.
- **TIEMPO/PESO**
  - Gire este dial para ajustar la hora en el reloj del microondas o para establecer el tiempo de cocción.
  - Gire el dial para especificar el peso en gramos o la cantidad de raciones/unidades del alimento.

# CONFIGURACIÓN DE LOS CONTROLES

- Cuando conecte el microondas por primera vez, la pantalla mostrará el temporizador  ajustado en "1:01".
- Una vez en el modo configuración (excepto para la cocción rápida), el microondas volverá automáticamente al modo de espera si no se realiza ningún ajuste durante 28 segundos.
- Durante la cocción, presione el botón PAUSA/CANCELAR una vez o abra la puerta del microondas para detener la cocción momentáneamente, luego presione el botón INICIO/INICIO RÁPIDO para reanudar la cocción. Si presiona PAUSA/CANCELAR dos veces, el programa de cocción se cancela inmediatamente.
- No es necesario presionar PAUSA/CANCELAR para activar los modos de Cocción por microondas, Auto cocción o Descongelar por peso, estas funciones se pueden alternar entre sí.
- Durante un ciclo de cocción rápida o un programa de cocción normal, puede girar el dial TIEMPO/PESO para aumentar o disminuir el tiempo de cocción.
- Cuando termine el ciclo de cocción programado, la pantalla mostrará la palabra "Fin" y emitirá un sonido cada 2 minutos hasta que el usuario presione PAUSA/CANCELAR o abra la puerta del microondas.
- Siempre que presione un botón en el panel de control, el microondas emite un sonido reconociendo la acción.

## 1. AJUSTE DEL RELOJ DIGITAL

Con el microondas en el modo configuración, presione el botón RELOJ una o dos veces para ajustar el reloj digital en el formato de 12 o 24 horas, respectivamente.

*Por ejemplo:* suponga que desea establecer las 8:30 am en el reloj del microondas.

1. Presione el botón RELOJ una o dos veces.
2. Gire el dial TIEMPO/PESO hasta visualizar la hora correcta, 8 en este caso.
3. Presione el botón RELOJ.
4. Gire el dial TIEMPO/PESO hasta visualizar los minutos correctos, 30 en este caso.
5. Presione el botón RELOJ para confirmar la hora, 8:30.

*Observación:* Para ver la hora durante la cocción, presione el botón RELOJ una sola vez.

## 2. INICIO RÁPIDO

Esta función le permite iniciar la cocción rápidamente sin configuraciones previas.

En modo de espera, presione INICIO/INICIO RÁPIDO sucesivamente hasta fijar el tiempo de cocción deseado, el microondas empezará la cocción a la potencia máxima en apenas 2 segundos. El tiempo de cocción máximo para esta función es de 12 minutos.

## 3. COCCIÓN POR MICROONDAS

Para la cocción con microondas, solo presione el botón POTENCIA sucesivamente hasta fijar la potencia de cocción deseada y luego gire el dial TIEMPO/PESO para establecer el tiempo de cocción. El tiempo de cocción máximo permitido es de 60 minutos. El microondas empieza la cocción después de presionar INICIO/INICIO RÁPIDO.

Los niveles de potencia accesibles presionando el botón POTENCIA son los siguientes:

<b>PRESIONE EL BOTÓN:</b>	<b>POTENCIA DE COCCIÓN</b>
una vez	100%
dos veces	80%
3 veces	60%
4 veces	40%
5 veces	20%
6 veces	0%

*Por ejemplo:* suponga que desea una cocción de 5 minutos con microondas a una potencia del 60%.

1. Presione el botón POTENCIA tres veces.
2. Gire el dial TIEMPO/PESO hasta el tiempo de cocción requerido, 5 minutos.
3. Presione el botón INICIO/INICIO RÁPIDO para iniciar la cocción.

*Observación:* Puede presionar el botón POTENCIA durante la cocción para visualizar la potencia actual. Si desea que la cocción ocurra a la potencia máxima (100%), omita el primer paso.

#### **4. AUTO DESCONGELAR**

El microondas permite descongelar carnes, aves y mariscos. El tiempo y la potencia se ajustan automáticamente cuando entra el peso de la porción a descongelar. El peso permitido para la descongelación varía de 100 a 1800 gramos.

*Por ejemplo:* suponga que desea descongelar 600 g de camarón congelado.

1. Coloque la porción de camarones congelados en la cavidad del microondas.
2. Presione el botón AUTO DESCONGELAR una sola vez.
3. Gire el dial TIEMPO/PESO hasta establecer un peso de 600 g.
4. Presione el botón INICIO/INICIO RÁPIDO para iniciar la descongelación.

*Observación:* Durante un ciclo de descongelación, el microondas emitirá un sonido y detendrá el proceso para avisarle que debe voltear los alimentos dentro del microondas.

#### **5. BLOQUEO DE SEGURIDAD A PRUEBA DE NIÑOS**

Esta tecnología impide que niños pequeños usen el microondas de microondas sin supervisión. Mientras el bloqueo de seguridad esté activo, la pantalla mostrará el estado BLOQUEO DE SEGURIDAD y el microondas no podrá ser utilizado.

- Para activar el bloqueo de seguridad: presione sostenidamente el botón PAUSA/CANCELAR durante 3 segundos, el microondas emitirá un sonido y el indicador correspondiente aparecerá en la pantalla.
- Para cancelar el bloqueo de seguridad: presione sostenidamente el botón PAUSA/CANCELAR durante 3 segundos, hasta que el indicador de bloqueo desaparezca de la pantalla.

## 6. AUTO COCCIÓN

Para la cocción de alimentos en las categorías que se relacionan a continuación, no es necesario programar el tiempo de cocción ni la potencia. Es suficiente con indicar el tipo de alimento y el peso total en gramos, o la cantidad de porciones según corresponda. Durante la cocción, puede verificar el tipo de programa en ejecución tan solo presionando el botón AUTO COCCIÓN.

*Por ejemplo:* para la cocción de 400 g de pescado.

1. Presione AUTO COCCIÓN repetidamente hasta seleccionar el código 6, correspondiente a pescado.
2. Gire el dial TIEMPO/PESO hasta establecer un peso de 400 g.
3. Presione el botón INICIO/INICIO RÁPIDO para iniciar la cocción.

Programas de cocción automática:

CÓDIGO DEL PROGRAMA	MENÚ	
1	Leche/Café (200 ml / tazas)	<ol style="list-style-type: none"><li>1. Gire el dial TIEMPO/PESO para entrar el peso total en gramos o la cantidad de porciones. Para leche, café o papas, la pantalla mostrará el número de unidades o porciones.</li><li>2. El resultado de la cocción automática depende de factores tales como la forma y el tamaño de los alimentos, su gusto personal en cuanto al punto final de la cocción e incluso, de la acomodación de los alimentos en el microondas. Si no le satisfacen los parámetros predeterminados, puede reajustar el tiempo de cocción a conveniencia.</li><li>3. Para espaguetis, agregue agua hirviendo antes de la cocción en el microondas.</li></ol>
2	Arroz (g)	
3	Espaguetis (g)	
4	Papas (230 g / unidades)	
5	Auto recalentar (g)	
6	Pescado (g)	
7	Palomitas de maíz (99 g)	
8	Pizza (g)	

## LIMPIEZA Y MANTENIMIENTO

- Apague el microondas y desconecte el enchufe del tomacorriente antes de limpiarlo.
- Mantenga limpio el interior del microondas. Cuando salpicaduras de alimentos o derrames de líquidos se adhieran a las paredes del microondas, límpielo con un paño húmedo. Puede utilizar detergente suave si el microondas está demasiado sucio. Evite el uso de aerosoles y otros limpiadores agresivos ya que estos pueden manchar, opacar o rayar la superficie de la puerta.
- Las superficies externas se deben limpiar con un paño húmedo. Para evitar daños en las piezas y componentes internos del microondas, nunca permita que el agua entre por las ranuras de ventilación.
- Limpie regularmente la puerta y la ventana por ambos lados, así como los sellos de la puerta y las áreas adyacentes, utilizando un paño húmedo para eliminar cualquier derrame o salpicadura. No utilice productos de limpieza abrasivos.
- No use limpiadores a chorro de vapor.
- No deje que el panel de control se moje. Límpielo con un paño suave y húmedo. Deje la puerta del microondas abierta cuando vaya a limpiar el panel de control para evitar que el microondas se encienda accidentalmente.
- Si se acumula vapor en la puerta del microondas, ya sea por dentro o por fuera, límpiela y séquela con un

pañó suave. Esto puede pasar cuando usa el microondas en ambientes muy húmedos y es completamente normal.

- A veces es necesario sacar la bandeja de vidrio para limpiarla. Lávela con agua jabonosa tibia o en lavavajillas.
- El aro giratorio y el piso del microondas se deben limpiar con regularidad para evitar ruidos excesivos. Simplemente limpie el piso del microondas con un paño y detergente suave. El aro giratorio se puede lavar con agua jabonosa suave o en el lavavajillas. Cuando retire el aro giratorio para limpiarlo, asegúrese de volver a colocarlo en la posición correcta.
- Quite los malos olores de su microondas mezclando una taza de agua con el jugo y la cáscara de un limón en un tazón hondo apto para el uso en microondas. Accione el microondas durante 5 minutos con el tazón en la cavidad. Luego limpie bien y seque con un paño suave.
- Cuando sea necesario reemplazar la bombilla del microondas, consulte a un distribuidor autorizado para providenciar el servicio.
- Debe limpiar el microondas con regularidad y eliminar cualquier depósito de alimentos. La falta de mantenimiento del microondas en términos de limpieza podría conllevar al deterioro de la superficie, lo que puede reducir la vida útil del aparato e incluso, provocar daños materiales o lesiones.
- No deseche el microondas de microondas en el nicho del hogar; este debe ser descartado en el centro de



recolección de su localidad, destinado específicamente a la eliminación de equipos electrodomésticos.

## **GARANTÍA**

El periodo de garantía de nuestros productos es de 2 años, salvo que la ley estipule lo contrario, a partir de la fecha de la compra inicial o de la fecha de entrega.

Si tiene algún problema o pregunta, puede acceder fácilmente a nuestras páginas de ayuda, consejos para solucionar problemas, preguntas frecuentes y manuales de usuario en nuestro sitio de servicio: <https://sav.hkoenig.com>.

Al escribir el nombre de referencia de su dispositivo en la barra de búsqueda, puede acceder a toda la asistencia en línea disponible, diseñada para satisfacer mejor sus necesidades.

Si sigue sin encontrar una respuesta a su pregunta o problema, haga clic en "¿La respuesta ha resuelto su problema? Esto le llevará al formulario de solicitud de asistencia posventa, que puede rellenar para validar su solicitud y obtener ayuda.

### **CONDICIONES DE GARANTÍA**

La garantía cubre todos los fallos que se produzcan en el contexto de un uso normal, de acuerdo con los usos y especificaciones del manual de usuario.

Esta garantía no se aplica a los problemas de embalaje o transporte durante el envío del producto por parte del propietario. Tampoco incluye el desgaste normal del producto, ni el mantenimiento o la sustitución de piezas consumibles.

### **EXCLUSIÓN DE GARANTÍA**

- Accesorios y piezas de desgaste (\*).
- Mantenimiento normal del aparato.
- Todas las averías derivadas de un uso incorrecto (golpes, incumplimiento de las recomendaciones de alimentación eléctrica, malas condiciones de uso, etc.), de un mantenimiento insuficiente o de un mal uso del aparato, así como del uso de accesorios inadecuados.
- Daños de origen externo: incendio, daños por agua, sobrecarga eléctrica, etc.
- Cualquier equipo que haya sido desmontado, incluso parcialmente, por personas que no estén autorizadas a hacerlo (en particular el usuario).
- Productos cuyo número de serie falte, esté dañado o sea ilegible, lo que no permitiría su identificación.
- Productos sujetos a alquiler, demostración o exposición.

(\*) Algunas piezas de su aparato, conocidas como piezas de desgaste o consumibles, se deterioran con el tiempo y la frecuencia de uso de su aparato. Este desgaste es normal, pero puede acentuarse por las malas condiciones de uso o de mantenimiento de su aparato. Por lo tanto, estas piezas no están cubiertas por la garantía.

Los accesorios suministrados con el aparato también están excluidos de la garantía. No se pueden cambiar ni reembolsar. No obstante, algunos accesorios pueden adquirirse directamente en nuestro sitio web: <https://sav.hkoenig.com/>

# MEDIO AMBIENTE

## ATENCIÓN:



No se deshaga de este producto como lo hace con otros productos del hogar. Existe un sistema selectivo de colecta de este producto puesto en marcha por las comunidades, debe de informarse en su ayuntamiento acerca de los lugares en los que puede depositar este producto. De hecho, los productos eléctricos y electrónicos pueden contener sustancias peligrosas que tienen efectos nefastos para el medio ambiente o para la salud humana y deben ser reciclados. El símbolo aquí presente indica que los equipos eléctricos o electrónicos deben de ser cuidadosamente seleccionados, representa un recipiente de basura con ruedas marcado con una X.

Adeva SAS / H.Koenig Europe - 8 rue Marc Seguin, 77290 Mitry-Mory, France  
www.hkoenig.com - sav@hkoenig.com - contact@hkoenig.com - Tél: +33 1 64 67 00 05

# ITALIANO

*Si prega di leggere attentamente le istruzioni prima di installare e utilizzare il microonda.*

## **PRECAUZIONI PER EVITARE L' ECCESSIVA ESPOSIZIONE ALL'ENERGIA A MICROONDE**

1. Non tentare di far funzionare il microonda con la porta aperta in quanto il funzionamento con porta aperta può causare una pericolosa esposizione alle microonde. È importante non eliminare o manomettere i blocchi di sicurezza.
2. Non posizionare alcun oggetto tra la parte anteriore del microonda e lo sportello e non consentire che residui di detergente si accumulino sulle guarnizioni.
3. Non mettere in funzione il microonda se è danneggiato. È particolarmente importante che la porta del microonda si chiuda bene e che non vi siano danni alla
  - a) Porta (piegata),
  - b) Cerniere e chiusure (rotte o allentate),
  - c) guarnizioni e superfici di tenuta.
4. Il microonda deve essere regolato o riparato esclusivamente da personale di assistenza qualificato.

## **IMPORTANTI NORME DI SICUREZZA**

Quando si utilizzano apparecchi elettrici bisognerebbe seguire alcune basilari precauzioni di sicurezza tra cui:

**AVVERTIMENTO:** Per ridurre il rischio di ustioni, scosse elettriche, incendi, danni alle persone o eccessiva esposizione a energia a microonde:

- Leggere tutte le istruzioni prima di utilizzare l'apparecchio e conservarle per riferimento futuro.
- Utilizzare l'apparecchio solo per l'uso previsto, come descritto in questo manuale. Non usare prodotti

chimici o vapori corrosivi in questo apparecchio. Questo tipo di microonda è specificamente progettato per riscaldare, cucinare o disidratare cibo. Non è stato progettato per uso industriale o di laboratorio.

- Non far funzionare il microonda a vuoto.
- Non utilizzare l'apparecchio se il cavo o la spina sono danneggiati, se non funziona correttamente o se è stato danneggiato o è caduto. Se il cavo di alimentazione è danneggiato, deve essere sostituito dal costruttore o da un suo agente servizio o una persona qualificata, per evitare rischi.
- **AVVERTIMENTO:** Permettere ai bambini di utilizzare il microonda senza sorveglianza solo se sono state date istruzioni adeguate in modo che il bambino possa utilizzare il microonda in modo sicuro e comprenda i rischi di un uso improprio.
- Per ridurre il rischio di incendio nella cavità del microonda:
- Durante il riscaldamento di cibi in un contenitore di plastica o di carta, tenere d'occhio il microonda a causa della possibilità di combustione.
- Rimuovere i lacci di chiusura dalla carta o dei sacchetti di plastica prima di metterli in microonda.
- Se si nota del fumo, spegnere o scollegare l'apparecchio e mantenere chiusa la porta per soffocare eventuali fiamme.
- Non usare la cavità del microonda per stoccaggio. Non lasciare prodotti di carta, utensili da cucina o cibo nella cavità quando non in uso.

- Il microonda a microonde è destinato a riscaldare cibi e bevande. L'asciugatura di capi di abbigliamento e il riscaldamento di pad di riscaldamento, pantofole, spugne, panni umidi e similari può portare al rischio di lesioni o incendi.
- **AVVERTIMENTO:** I liquidi alimentari o altro non devono essere riscaldati in contenitori sigillati, perché potrebbero esplodere.
- Il riscaldamento a microonde di bevande può causare una bollitura ritardata, quindi fare attenzione a gestire il contenitore.
- Non friggere il cibo nel microonda. L'olio caldo può danneggiare le parti e gli utensili da microonda e addirittura provocare ustioni della pelle.
- Le uova nel loro guscio e le uova intere sode non dovrebbero essere riscaldate nel microonda a microonde perché potrebbero esplodere anche dopo che il riscaldamento a microonde è terminato.
- Bucare gli alimenti con buccia dura come le patate, le zucche intere, mele e castagne prima della cottura.
- Il contenuto di biberon e omogeneizzati dovrebbe essere mescolati o agitati e la temperatura deve essere controllata prima di servirli per evitare scottature.
- Gli utensili da cucina possono surriscaldarsi a causa del calore trasferito dal cibo riscaldato. Potrebbero essere necessarie delle presine per afferrare l'utensile.

- Gli articoli per la casa ed i contenitori dovrebbero essere controllati per assicurarsi che siano adatti per l'uso in microonda a microonde.
- **AVVERTIMENTO:** È pericoloso per chiunque non sia una persona addestrata, effettuare operazioni di assistenza o riparazione che implicino la rimozione di qualsiasi copertura che offre una protezione contro l'esposizione alle microonde.
- Questo prodotto è un apparecchio di Gruppo 2 di classe B ISM. Il gruppo 2 contiene tutte le apparecchiature ISM (Industrial, Scientific and Medical) in cui l'energia radio frequenza è generata e / o usata sotto forma di radiazione elettromagnetica per il trattamento di materiale, ed attrezzature per elettroerosione. Per apparecchiature di classe B si intendono le apparecchiature adatte all'uso in ambienti domestici e in strutture direttamente collegate ad una rete di alimentazione a bassa tensione che alimenta edifici ad uso domestico.
- Questo apparecchio non è destinato ad essere utilizzato da persone con capacità fisiche, sensoriali o mentali ridotte o senza esperienza e conoscenza, a meno che non siano controllati o istruiti all'uso dell'apparecchio da una persona responsabile della loro sicurezza.
- I bambini devono essere sorvegliati per assicurarsi che non giochino con l'apparecchio.
- Il microonda a microonde deve essere utilizzato solo in freestanding.
- **ATTENZIONE:** Non installare il microonda su un piano di cottura o di altri elettrodomestici che

producono calore. Se installato potrebbe essere danneggiato e la garanzia decadrebbe.

- Il microonda a microonde non deve essere collocato in un armadio.
- La porta o la superficie esterna possono diventare calde quando l'apparecchio è in funzione.
- **ATTENZIONE:** le parti accessibili possono surriscaldarsi durante l'uso. I bambini devono essere tenuti lontani.
- Durante l'uso l'apparecchio diventa caldo. Si deve prestare attenzione per evitare di toccare gli elementi riscaldanti all'interno del microonda.
- La temperatura delle superfici accessibili può diventare elevata quando l'apparecchio è in funzione.
- L'apparecchio deve essere posizionato contro una parete.
- L'apparecchio non è adatto ad essere utilizzato da bambini o persone con ridotte capacità fisiche, sensoriali o mentali, o mancanza di esperienza e conoscenza, a meno che non siano controllati o istruiti
- **ATTENZIONE:** se le guarnizioni della porta o dello sportello sono danneggiate, il microonda non deve essere utilizzato fino a quando non è stato riparato da una persona competente.
- Gli apparecchi non sono destinati ad essere azionati per mezzo di un timer esterno o un sistema di comando a distanza separato.
- Il microonda a microonde è per uso domestico e non per uso commerciale.

- Non rimuovere il distanziale nella parte posteriore o sui lati, in quanto garantisce una distanza minima dalla parete per la corretta circolazione dell'aria.
- Si prega di mantenere il piatto girevole prima di spostare l'apparecchio per evitare danni.
- **CAUTELA:** È pericoloso far riparare o effettuare la manutenzione dell'apparecchio da chi non è esperto perché in queste circostanze il coperchio deve essere rimosso, garantendosi la protezione contro le radiazioni microonde. Questo vale anche per cambiare il cavo di alimentazione o l'illuminazione. In questi casi bisognerebbe inviare l'apparecchio al nostro centro di assistenza.
- Il microonda a microonde è destinato per lo sbrinamento, la cottura e il riscaldamento di cibo.
- Utilizzare guanti se si rimuove qualsiasi cibo riscaldato.
- **Attenzione!** C'è fuoriuscita di vapore all'apertura coperchi o di pellicole.
- Questo apparecchio può essere utilizzato da bambini di età superiore agli 8 anni e da persone con capacità fisiche, sensoriali o mentali ridotte o senza di esperienza e conoscenza purché siano controllati o istruiti all'uso dell'apparecchio in modo sicuro e ne comprendano i rischi coinvolti. I bambini non devono giocare con l'apparecchio. La pulizia e la manutenzione da parte dell'utente non devono essere effettuate dai bambini a meno che non siano di età superiore agli 8 anni e controllati.
- Conservare l'apparecchio e il cavo di alimentazione fuori dalla portata di bambini di età inferiore a 8 anni.



- Questo apparecchio può essere utilizzato da bambini a partire da 8 anni, purché sorvegliati e istruiti all'uso sicuro dell'apparecchio e pienamente a conoscenza dei pericoli che comporta.
- Se si nota del fumo, spegnere o scollegare l'apparecchio e mantenere chiusa la porta per soffocare eventuali fiamme.
- Il dispositivo non deve essere utilizzato se è stato lasciato cadere, sono visibili evidenti segni di danneggiamento o se presenta perdite.
- Il manuale utente può anche essere consultato e scaricato dal nostro sito: [www.hkoenig.com](http://www.hkoenig.com)

## **LEGGERE ATTENTAMENTE E RISPARMIARE PER UN USO FUTURO.**

- Questo apparecchio è destinato all'uso in applicazioni domestiche e simili come :
  - aree di cucina per il personale in negozi, uffici e altri ambienti professionali ;
  - aziende agricole;
  - uso da parte degli ospiti in alberghi, motel e altri ambienti residenziali;
  - ambienti di tipo bed and breakfast".
- I contenitori metallici per alimenti e bevande non sono consentiti quando si cucina nel microonde.
- Il forno a microonde è destinato al riscaldamento di cibi e bevande. L'asciugatura di alimenti o biancheria e il riscaldamento di tamponi riscaldanti, pantofole, spugne, biancheria bagnata e articoli simili possono comportare il rischio di lesioni, accensione o incendio.
- L "apparecchio non deve essere pulito a vapore.

## INSTALLAZIONE

1. Assicurarsi che tutti i materiali di imballaggio siano stati rimossi dalla parte interna della porta.
2. **ATTENZIONE:** Controllare il microonda per eventuali danni, come la porta disallineata o piegata, le guarnizioni della porta e la superficie di tenuta danneggiate, cerniere, chiavistelli e ammaccature all'interno della cavità o sulla porta, porta rotta o danneggiata. Se non vi sono danni, non azionare il microonda e contattare personale qualificato.
3. Questo microonda a microonde deve essere posizionato su una superficie piana e stabile per sostenere il peso di qualsiasi cibo si desidera cuocere nel microonda.
4. Non posizionare il microonda in cui sono generati calore o elevata umidità, o vicino a materiali infiammabili.
5. Per un corretto funzionamento, il microonda deve avere un flusso d'aria sufficiente. Lasciare 20 centimetri di spazio sopra il microonda, 10 centimetri sul retro e 5 centimetri su entrambi i lati. Non coprire o bloccare le aperture sull'apparecchio. Non rimuovere i piedini.
6. Non azionare il microonda senza vassoio di vetro, supporto del rullo, e l'albero nella posizione corretta.
7. Assicurarsi che il cavo di alimentazione non sia danneggiato e che il microonda non sia fatto funzionare su una qualsiasi superficie calda o tagliente.
8. La presa deve essere facilmente accessibile, in modo che sia possibile scollegare facilmente in caso di emergenza.
9. Non utilizzare il microonda all'aperto.

## RADIOINTERFERENZE

Il funzionamento del microonda a microonde può causare interferenze con la radio, la TV, o apparecchiature simili.

Quando c'è interferenza, può essere ridotta o eliminata adottando le seguenti misure:

1. Pulire e porta la superficie di tenuta del microonda.
2. Riorientare l'antenna di ricezione di radio o televisione.
3. Spostare il microonda a microonde rispetto al ricevitore.
4. Spostare il microonda a microonde dal ricevitore.
5. Collegare il microonda a microonde in una presa con circuito diverso.

## PRINCIPI DI COTTURA A MICROONDE

1. Disporre con attenzione il cibo. Posizionare le parti più grosse verso l'esterno del piatto.
2. Guardare il tempo di cottura. Cuocere per il più breve lasso di tempo indicato e aggiungerne di più se necessario. Il cibo troppo cotto può fumare o prendere fuoco.
3. Coprire gli alimenti durante la cottura. La copertura impedisce che gli alimenti schizzino e aiutano a cucinare in modo uniforme.
4. Girare gli alimenti una volta durante la cottura a microonde per accelerare la cottura di alimenti come il pollo e gli hamburger. I cibi di grandi dimensioni come gli arrostiti devono essere girati almeno una volta.
5. Riordinare alimenti come le polpette metà cottura sia dall'alto verso il basso che dal centro del piatto verso l'esterno.

## ISTRUZIONI PER LA MESSA A TERRA

Questo apparecchio deve avere messa a terra. Questo microonda è dotato di un cavo con un filo a terra con un polo a terra. Esso deve essere inserito in una presa a muro correttamente installata e con messa a terra. Nel caso di un corto circuito elettrico, la messa a terra riduce il rischio di folgorazione grazie un filo di fuga per la corrente elettrica. Si raccomanda di fornire al microonda un circuito separato. L'utilizzo di una tensione alta è pericolosa e può provocare un incendio o altri incidenti, causando danni microonda.

**AVVERTIMENTO** un uso improprio della spina di messa a terra può comportare il rischio di folgorazione.

*Nota:*

1. Se avete domande circa la messa a terra o le istruzioni elettriche, consultare un elettricista o un servizio qualificato.
2. Né il produttore né il rivenditore possono accettare qualsiasi responsabilità per danni al microonda o personali derivanti dalla mancata osservanza delle procedure di collegamento elettrico.

I fili del cavo principale sono colorati secondo il seguente codice:

**Verde e giallo = TERRA**

**Blu = NEUTRO**

**Marrone = DIRETTA**

## PRIMA DI CHIAMARE IL SERVIZIO CLIENTI

Se il microonda non funziona:

1. Controllare che il microonda sia collegato in modo sicuro. Se non lo è, staccare la spina dalla presa di corrente, attendere 10 secondi e ricollegarlo saldamente.
2. Verificare la presenza di un fusibile bruciato o del circuito di un interruttore principale scattato. Se questi sembrano funzionare correttamente, verificare la presa con un altro apparecchio.
3. Verificare che il pannello di controllo sia programmato correttamente e che il timer sia impostato.
4. Verificare che la porta sia chiusa saldamente impegnando il sistema di blocco di sicurezza della porta. In caso contrario, l'energia a microonde non scorrerà nel microonda.

**SE NESSUNA DELLE AZIONI DI CUI SOPRA RISOLVE LA SITUAZIONE, ALLORA CONTATTARE UN TECNICO QUALIFICATO. NON CERCARE DI REGOLARE O RIPARARE IL MICROONDA DA SOLI.**

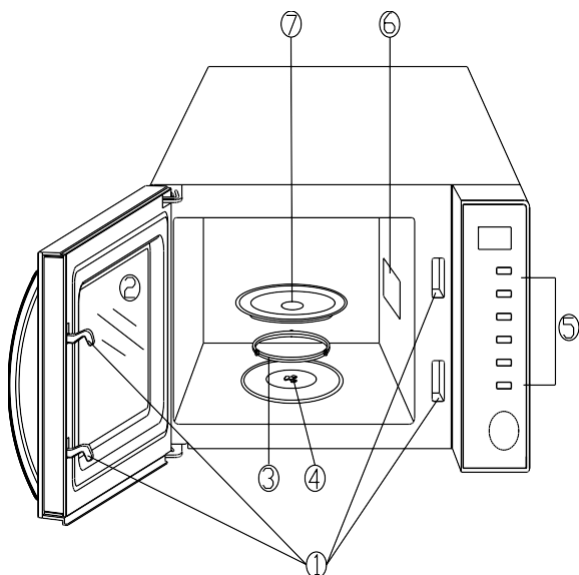
## **GUIDA UTENSILI**

1. Le Microonde non possono penetrare nel metallo. Utilizzare solo utensili adatti per l'uso in forni a microonde. I contenitori metallici per alimenti e bevande non sono ammessi nella cottura a microonde. Questo requisito non è applicabile se il costruttore specifica la dimensione e la forma dei contenitori metallici appropriati per la cottura a microonde.
2. Le Microonde non possono penetrare nel metallo, quindi gli utensili in metallo o i piatti con rifinitura metallica non devono essere utilizzati.
3. Non utilizzare prodotti di carta riciclata durante la cottura a microonde, in quanto potrebbero contenere frammenti metallici che possono causare scintille e / o incendi.
4. Piatti tondi / ovali piuttosto che quelli quadrati / oblungi sono raccomandati, in quanto il cibo negli angoli tende a cuocere troppo.
5. Delle strette strisce di alluminio possono essere usate per prevenire cottura eccessiva delle aree esposte. Ma attenzione non usarne troppo e mantenere una distanza di 1 pollice (2,54 centimetri) fra strisce e parete del microonda.

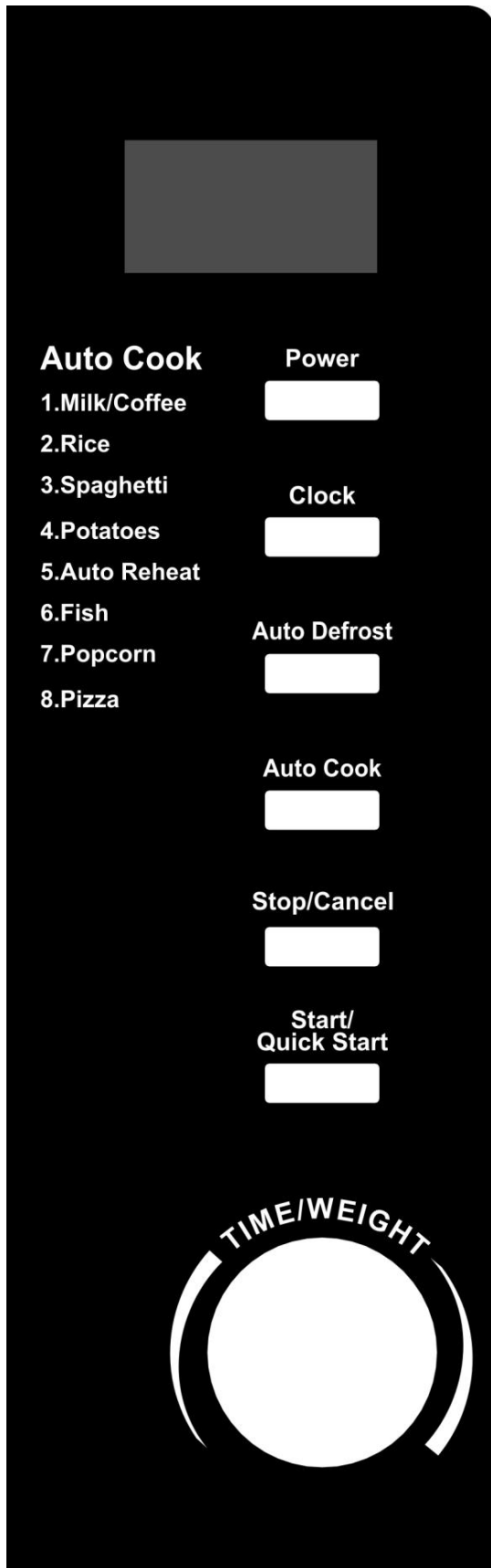
L'elenco che segue è una guida generale per aiutarvi a scegliere gli utensili corretti.

<b>PENTOLE</b>	<b>MICROONDE</b>
Vetro resistente al calore	sì
Vetro non resistente al calore	No
Ceramica resistente al calore	sì
Piatti di plastica	sì
Carta da cucina	sì
Vassoi di metallo	No
Cremagliera metallo	No
Fogli di alluminio o contenitori di alluminio	No

## **NOME DELLE PARTI**




1. Chiusura di sicurezza porta
2. Finestra Microonda
3. Anello girevole
4. Albero girevole
5. Pannello di controllo
6. Guida onde(Non rimuovere la piastra che copre la guida d'onda)
7. Vassoio di vetro



- **SCHERMO AZIONE MENU**  
Vengono visualizzati Tempo di cottura, potenza, indicatori azione, e orario.
- **ENERGIA**  
Toccare questo pulsante più volte per impostare il livello di potenza della cottura a microonde.
- **OROLOGIO**  
Toccare questo pulsante per avviare la regolazione dell'orologio del microonda e terminare toccando di nuovo.
- **AUTO SCONGELAMENTO**  
Toccare per scongelare gli alimenti in base al peso.
- **COTTURA AUTOMATICA**  
Premere per le impostazioni istantanee per cuocere i cibi più comuni
- **STOP / CANCEL**
  - Premere per annullare l'impostazione o reimpostare il microonda prima di impostare un programma di cottura.
  - Premere una volta per interrompere temporaneamente la cottura, o due volte per annullare totalmente la cottura
  - È utilizzato anche per impostare il blocco bambini.
- **START / QUICK START**
  - Toccare per avviare un programma di cottura.
  - Basta premere più volte per iniziare la cottura espressa senza impostare in precedenza il livello di potenza e il tempo di cottura.
- **TEMPO / PESO**
  - Ruotare il selettore per inserire l' ora dell'orologio o impostare il tempo di cottura.
  - Ruotare per specificare il peso cibo o numero di porzioni

# COME IMPOSTARE DEL MICROONDA

1. Quando il microonda è collegato per la prima volta, il display visualizza  e "01:01".
2. Durante la modalità di impostazione (ad eccezione della cottura rapida), il sistema ritorna alla modalità di attesa se non viene effettuata alcuna operazione entro 28 secondi.
3. Durante la cottura, se si preme premere una volta STOP / CANCEL o si apre la porta, il programma verrà messo in pausa, e basterà premere START / QUICK START per riprendere, se invece si preme STOP / CANCEL due volte, il programma verrà annullato.
4. Non è necessario premere STOP / CANCEL, per la Cottura a microonde, la cottura automatica, lo sbrinamento a peso, si può passare da una funzione all'altra.
5. Durante l'avvio rapido di cucina e cottura a microonde in corso, è possibile attivare I TIME/WEIGHT per aumentare o diminuire il tempo di cottura.
6. Dopo aver terminato la cottura, lo schermo visualizzerà End con UN suono ogni due minuti fino a quando l'utente preme STOP / ANNULLA o apre la porta.
7. Ogni volta che un tasto viene toccato, viene emesso un segnale acustico.

## 1. IMPOSTAZIONE OROLOGIO DIGITALE

Con il microonda pronto per l'input, toccare il pulsante CLOCK una o due volte per impostare l'orologio digitale nel ciclo di 12 o 24 ore.

*Per esempio:* Si supponga di voler impostare l'ora dell'orologio microonda su 8:30.

1. Premere il pulsante CLOCK una o due volte.
2. Ruotare TIME / WEIGHT per indicare la cifra 8.
3. Premere il pulsante CLOCK.
4. Girare la manopola TIME/WEIGHT per indicare le cifre dei minuti fino a quando lo schermo mostra 8: 30.
5. Premere CLOCK per confermare l'impostazione.

*Nota:* Per controllare l'orologio durante la cottura, premere una volta il tasto CLOCK.

## 2. AVVIO RAPIDO

Questa funzione consente di avviare il microonda rapidamente.

In modalità di attesa, premere il tasto START/ QUICK START diverse per impostare il tempo di cottura, il microonda inizia a lavorare a piena potenza in 2 secondi. Il tempo massimo di cottura che può essere impostato è di 12 minuti.

## 3. COTTURA A MICROONDE

Per la cottura a microonde, basta premere POWER, selezionare la potenza e quindi ruotare la manopola TIME / WEIGHT per immettere il tempo di cottura. Il tempo di cottura più lungo è di 60 minuti. Il microonda inizierà a cucinare dopo aver premuto START / QUICK START.

Selezionare il livello di potenza premendo il tasto POWER:

<b>PREMERE IL TASTO POWER</b>	<b>POTENZA COTTURA</b>
Una volta	100%
Due volte	80%
3 volte	60%
4 volte	40%
5 volte	20%
6 volte	0%

*Per esempio*, supponiamo di voler cuocere per 5 minuti a l60% della potenza a microonde.

1. Premere il tasto POWER per 3 volte.
2. Ruotare TIME / WEIGHT per inserire il tempo di cottura.
3. Premere il tasto START / QUICK START.

*Nota:* Durante la cottura a microonde, premere il tasto POWER per verificare l'attuale livello di potenza. Se volete cucinare al 100% della potenza, omettete il primo passo.

#### **4. AUTO SCONGELAMENTO**

Il microonda permette lo scongelamento di carne, pollame e frutti di mare. Il tempo e la potenza di sbrinamento vengono regolati automaticamente una volta che il peso è programmato. Il peso degli alimenti congelati varia tra 100g e 1800g.

*Per esempio:* Si supponga di voler scongelare 600 g di gamberetti.

1. Posizionare i gamberi da scongelare nel microonda.
2. Premere il pulsante AUTO DEFROST una volta.
3. Girare la manopola TIME/WEIGHT per selezionare 600g di peso.
4. Premere il tasto START / QUICK START.

*Nota:* Durante il processo di sbrinamento, il sistema farà una pausa ed emetterà un segnale acustico per ricordare di girare il cibo in microonda.

#### **5. BLOCCO BAMBINI**

Utilizzare il blocco per impedire il funzionamento del microonda senza supervisione da parte di bambini piccoli. L'indicatore CHILD LOCK apparirà sul display, e il microonda non può essere azionato mentre il Blocco bambini è impostato.

- Per impostare la sicurezza bambini: Tenere premuto il tasto STOP / CANCEL per 3 secondi, viene emesso un segnale acustico e la spia di blocco si illumina.
- Per annullare il blocco bambini: Tenere premuto il tasto STOP / CANCEL per 3 secondi fino a quando l'indicatore di blocco sul display si spegne.

## 6. COTTURA AUTOMATICA

Per la seguente modalità di cottura non è necessario programmare la durata e la potenza di cottura. È sufficiente indicare il tipo di cibo che si desidera cucinare, così come il peso. Durante la cottura è possibile controllare il menu corrente toccando il pulsante AUTO COOK.

*Ad esempio:* per cucinare 400 g di pesce.

1. Premere il pulsante AUTO COOK più volte per selezionare il codice menù pesce 6.
2. Girare la manopola TIME/WEIGHT per indicare IL peso di 400g.
3. Premere il tasto START / QUICK START.

### Menu Cottura Automatica

CODICE MENU	MENU	
1	Latte / caffè (200ml / tazza)	<ol style="list-style-type: none"><li>1. Girare la manopola TIME/WEIGHT per indicare il peso del cibo o IL numero di porzioni. Per il latte / caffè e patate, lo schermo mostrerà il numero di porzioni.</li><li>2. Il risultato della cottura automatica dipende da fattori quali la forma e le dimensioni del cibo, la vostra preferenza personale per quanto riguarda il grado di cottura di alcuni alimenti e anche come mettete il cibo nel microonda. Se si trova il risultato non del tutto soddisfacente, si prega di regolare il tempo di cottura un di conseguenza.</li><li>3. Per gli spaghetti aggiungere acqua bollente prima della cottura.</li></ol>
2	Riso (g)	
3	Spaghetti (g)	
4	Patate (230g / unità)	
5	Riscaldamento automatico (g)	
6	Pesce (g)	
7	Popcorn (99g)	
8	Pizza (g)	

## PULIZIA E CURA

- Spegnerne il microonda ed estrarre la spina dalla presa di corrente prima della pulizia.
- Mantenere l'interno del microonda pulito. Quando gli schizzi di cibo o i liquidi versati che aderiscono alle pareti del microonda, pulire con un panno umido. Del detergente delicato può essere utilizzato se il microonda diventa molto sporco. Evitare l'uso di spray e altri detergenti aggressivi in quanto potrebbero macchiare, strisciare o opacizzare la superficie della porta.



- Le superfici esterne devono essere pulite con un panno umido. Per evitare di danneggiare le parti operative all'interno del microonda, l'acqua non dovrebbe essere fatta penetrare nelle aperture di ventilazione.
- Pulire frequentemente entrambi i lati della porta e delle aperture, le guarnizioni e le parti adiacenti con un panno umido per rimuovere eventuali cadute o spruzzi. Non utilizzare detergenti abrasivi.
- Un pulitore a vapore non deve essere utilizzato.
- Non lasciare che il pannello di controllo si bagni. Pulire con un panno morbido e umido. Durante la pulizia del pannello di controllo, lasciare porta del microonda aperta per evitare l'accensione accidentale del microonda stesso.
- Se il vapore si accumula all'interno o intorno alla parte esterna della porta del microonda, pulire con un panno morbido. Ciò può verificarsi quando il microonda a microonde è in funzione in condizioni di alta umidità. Ed è normale.
- Occasionalmente è necessario rimuovere il vassoio di vetro per la pulizia. Lavare il vassoio in acqua saponata calda o in lavastoviglie.
- L'anello rotante e il pavimento del microonda devono essere puliti regolarmente per evitare eccessivi rumori. Basta pulire la superficie inferiore del microonda con un detergente delicato. L'anello rotante può essere lavato in acqua saponata o lavastoviglie. Quando si rimuove l'anello del rullo per la pulizia, assicurarsi di riposizionarlo nella posizione corretta.

- Rimuovere gli odori dal vostro microonda utilizzando una tazza di acqua con il succo e la buccia di un limone in una ciotola da microonde profonda, nel microonda a microonde per 5 minuti. Pulire accuratamente e asciugare con un panno morbido.
- Quando diventa necessario sostituire la luce del microonda, si prega di rivolgersi a un rivenditore per la sostituzione.
- Il microonda deve essere pulito regolarmente da eventuali resti di cibo. L'incapacità di mantenere il microonda ben pulito potrebbe portare ad un deterioramento della superficie che potrebbe influenzare negativamente la durata dell'apparecchio e causare rischi.
- Si prega di non gettare questo apparecchio nella spazzatura domestica; esso deve essere smaltito tramite il corretto centro di smaltimento fornito dai comuni.

## **GARANZIA**

Il periodo di garanzia per i nostri prodotti è di 2 anni, se non diversamente stabilito dalla legge, a partire dalla data di acquisto iniziale o di consegna.

Se avete problemi o domande, potete facilmente accedere alle nostre pagine di aiuto, consigli per la risoluzione dei problemi, FAQ e manuali d'uso sul nostro sito post-vendita:

<https://sav.hkoenig.com>.

Digitando il nome di riferimento del tuo dispositivo nella barra di ricerca, puoi accedere a tutto il supporto online disponibile, progettato per soddisfare al meglio le tue esigenze.

Se ancora non riesci a trovare una risposta alla tua domanda o al tuo problema, allora clicca su "La risposta ha risolto il tuo problema? Questo vi porterà al modulo di richiesta di supporto post-vendita, che potete completare per convalidare la vostra richiesta e ottenere aiuto.

## **CONDIZIONI DI GARANZIA**

La garanzia copre tutti i guasti derivanti da un uso normale, in conformità con gli usi e le specifiche del manuale utente.

Questa garanzia non si applica a problemi di imballaggio o di trasporto durante la spedizione del prodotto da parte del proprietario. Non include inoltre la normale usura del prodotto, né la manutenzione o la sostituzione delle parti di consumo.

## ESCLUSIONE DELLA GARANZIA

- Accessori e parti soggette a usura (\*).
- Normale manutenzione dell'apparecchio.
- Tutti i guasti derivanti da un uso improprio (urti, mancato rispetto delle raccomandazioni sull'alimentazione, cattive condizioni d'uso, ecc.), da una manutenzione inadeguata o da un uso improprio dell'apparecchio, nonché dall'uso di accessori inadeguati.
- Danni di origine esterna: incendio, danni d'acqua, sovratensione elettrica, ecc.
- Qualsiasi attrezzatura che sia stata smontata, anche parzialmente, da persone diverse da quelle autorizzate a farlo (in particolare l'utente).
- Prodotti per i quali il numero di serie è mancante, danneggiato o illeggibile, il che non permetterebbe la sua identificazione.
- Prodotti soggetti a noleggio, dimostrazione o esposizione.

(\*) Alcune parti del suo apparecchio, note come parti soggette a usura o materiali di consumo, si deteriorano con il tempo e la frequenza d'uso del suo apparecchio. Questa usura è normale, ma può essere accentuata da cattive condizioni d'uso o di manutenzione del vostro apparecchio. Queste parti non sono quindi coperte dalla garanzia.

Anche gli accessori forniti con l'apparecchio sono esclusi dalla garanzia. Non possono essere scambiati o rimborsati. Tuttavia, alcuni accessori possono essere acquistati direttamente dal nostro sito web: <https://sav.hkoenig.com/>.

## AMBIENTE

### ATTENZIONE:



Non gettare quest' apparecchio tra i rifiuti domestici. Per questo tipo di prodotti è fornito dai comuni un sistema di raccolta e ritiro in zona ed è quindi un dovere informarsi per conoscere il giusto smistamento del rifiuto. Infatti, i prodotti elettrici ed elettronici possono contenere sostanze pericolose che hanno effetti dannosi sull'ambiente o sulla nostra salute e quindi devono essere riciclati. Il simbolo al lato indica che le apparecchiature elettriche ed elettroniche fanno parte di una raccolta selettiva e differenziata (rappresentata da un bidone su due ruote sbarrato da una croce).

Adeva SAS / H.Koenig Europe - 8 rue Marc Seguin - 77290 Mitry Mory - France  
www.hkoenig.com - sav@hkoenig.com - contact@hkoenig.com - Tél: +33 1 64 67 00 05



Points de collecte sur [www.quefairedemesdechets.fr](http://www.quefairedemesdechets.fr)  
Privilégiez la réparation ou le don de votre appareil !