

# HKoenig

v7

## Instruction Manual

Manuel d'instructions  
Bedienungsanleitung  
Gebruiksaanwijzing  
Manual de instrucciones  
Manuale d'uso



## Steam station

Centrale vapeur  
Dampfbügelstation  
Stoominstallatie  
Central vapor  
Centrale vapore



## **ENGLISH**

### **IMPORTANT SAFETY INSTRUCTIONS**

When using your flatiron, basic safety precautions should always be followed, including the following:

#### **READ ALL INSTRUCTIONS BEFORE USING**

1. Use iron only for its intended use.
2. To protect against a risk of electric shock, do not immerse the iron in water or other liquids.
3. The iron should always be turned to “min”, before plugging or unplugging from outlet. Never yank cord to disconnect from outlet; instead, grasp plug and pull to disconnect.
4. Do not allow cord to touch hot surfaces. Let iron cool completely before putting away. Loop cord loosely around iron when storing.
5. Always disconnect iron from electrical outlet when filling with water or emptying and when not in use.
6. Do not operate iron with a damaged cord or if the iron has been dropped or damaged. To avoid the risk of electric shock, do not disassemble the iron. Take it to a qualified serviceman for examination and repair. Incorrect reassembly can cause a risk of electric shock when the iron is used.
7. Close supervision is necessary for any appliance being used by or near children. Do not leave iron unattended while connected or on an ironing board.
8. Burns can occur from touching hot metal parts, hot water, or steam. Use caution when you turn a steam iron upside down – there may be hot water in the reservoir.

9. If the malfunction indicator goes on, the flatiron is not operating normally. Disconnect from the power supply and have the flatiron serviced by qualified service personnel.

10. The iron must be used and rested on a stable surface.

11. The iron is not to be used if it has been dropped, if there are visible signs of damage or if it is leaking.

12. This appliance may be used by persons with reduced physical, sensory or mental capabilities or lack of experience or knowledge, provided that they are supervised or instructed in the safe use of the appliance and that they fully understand the potential hazards.

13. Children should be supervised to ensure that they do not play with appliance.


14. The iron must not be left unattended while it is connected to the supply mains;

15. The plug must be removed from the socket-outlet before the water reservoir is filled with water;

16. When placing the iron on its stand, ensure that the surface on which the stand is placed is stable;

17. The iron is not to be used if it has been dropped, if there are visible signs of damage or if it is leaking.

18. If the supply cord is damaged, it must be replaced by the manufacturer, its service agent or similarly qualified persons in order to avoid a hazard.

19. Symbol “  ” means that surfaces are liable to get hot during use

20. This appliance may be used by children of at least 8 years of age, as long as they are supervised and have

been given instructions about using the appliance safely and are fully aware of the dangers involved.

21. Cleaning and maintenance should not be carried out by children unless they are at least 8 years of age and are supervised by an adult.

22. Keep the appliance and its power cord out of reach of children under 8 years of age.

23. The device must not be used if it has been dropped, it obvious signs of damage are visible or if it has leaks.

24. When using electrical equipment, safety precautions must always be taken to prevent the risk of fire, electric shock and/or injury in the event of misuse.

Your appliance has been designed for domestic use only. It is not intended for use in the following situations which are not covered by the warranty:

- in staff kitchen areas in shops, offices and other professional environments,
- in farm hostels,
- by guests in hotels, motels and other residential environments,
- in bed and breakfast type environments.

## **SPECIAL INSTRUCTIONS**

1. To avoid a circuit overload, do not operate another high wattage appliance on the same circuit.

2. If an extension cord is absolutely necessary, a 10-ampere cord should be used. Cords rated for less amperage may overheat. Care should be taken to

arrange the cord so that it cannot be pulled or tripped over.

## **SAVE THESE INSTRUCTIONS**

### **More specifically:**

**DO NOT** let children or untrained persons use the appliance without supervision.

**NEVER** immerse the iron, cable or plug in any liquid.

**DO NOT** leave the hot iron touching fabrics or very inflammable surfaces.

**DO NOT** leave the appliance unnecessarily plugged in. Disconnect the plug from the mains when the appliance is not being used.

**NEVER** touch the appliance with wet or damp hands.

**DO NOT** use the power cord or the appliance in order to pull the plug out of the socket.

**DO NOT** leave the appliance exposed to the weather (rain, sun, etc. ).

**DO NOT** leave the iron without supervision when it is connected to the power supply.

**DO NOT** fill the reservoir with water before removing the plug from the socket.

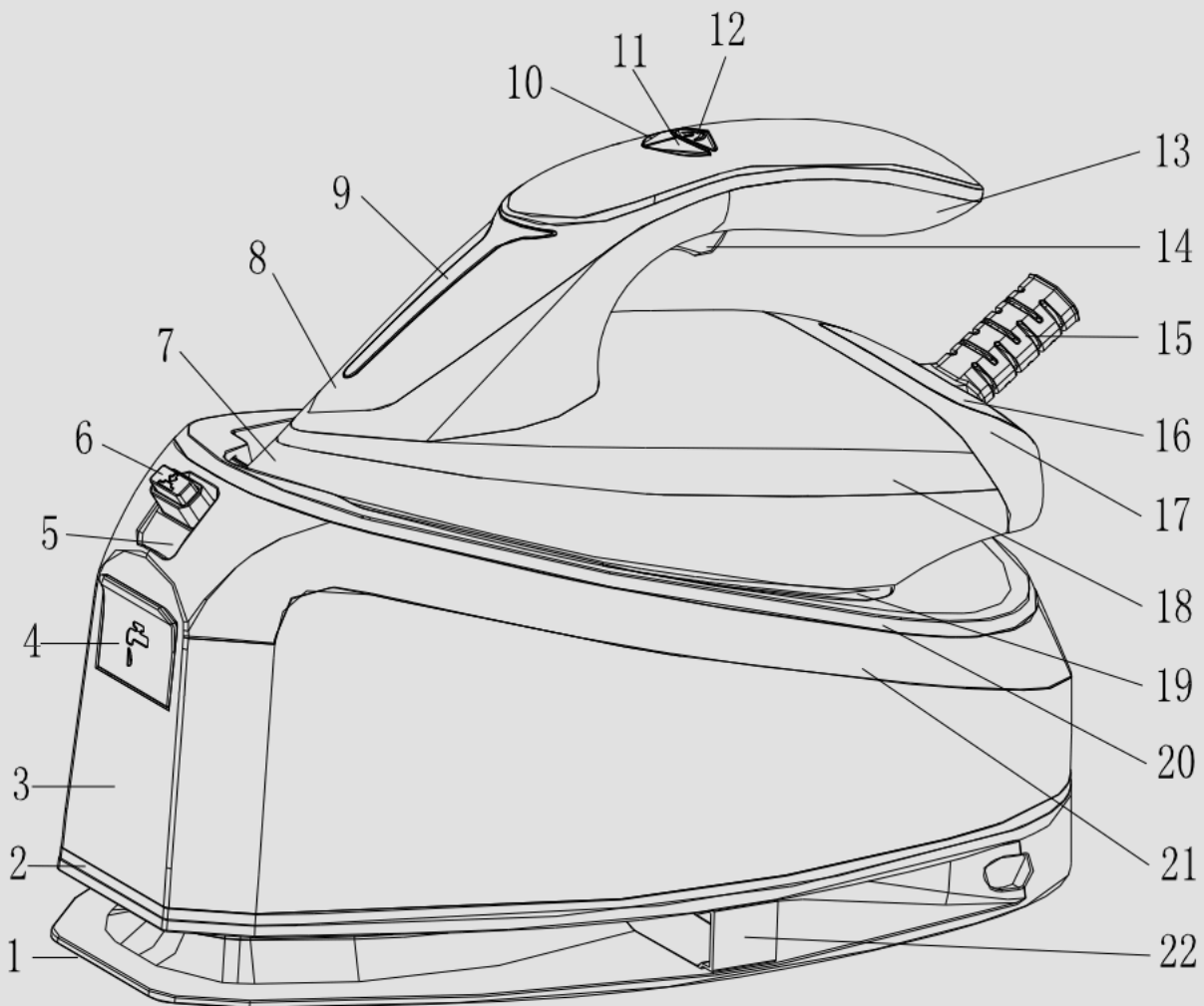
### **PLEASE NOTE!**

**Do not use chemical additive, scented substances or decalcifiers. Failure to comply with the above-mentioned regulations leads to the loss of guarantee.**

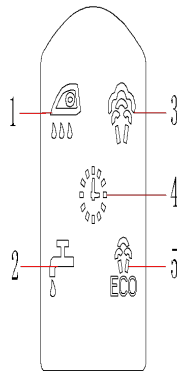
## DESCRIPTION OF DEVI

### GENERAL INSTRUCTIONS

When using the iron for the first time, you may notice a slight emission of smoke and hear some sounds made by the expanding plastics. This is quite normal and it stops after a short time. We also recommend passing the iron over an ordinary cloth before using it for the first time.



- |                 |                    |                    |                 |
|-----------------|--------------------|--------------------|-----------------|
| 1 lampstand     | 2 Water tank floor | 3 Water tank       | 4 Water cap     |
| 5 lock catch    | 6 unlock button    | 7 SKIRT            | 8 loam cake     |
| 9 lamp-chimney  | 10 Steam Switch    | 11 Cleaning switch | 12 mains switch |
| 13 hand shank   | 14 Steam button    | 15 bushing         | 16 trim         |
| 17 rear cover   | 18 bodice          | 19 calorifere      | 20 face-plate   |
| 21 radiator cap | 22 Line deduction  |                    |                 |



- 1. Cleaning tips**   **2.No water in the tank.**   **3. Big gear steam**  
**4. Automatic power failure prompt**   **5.Energy saving steam**

**Suggestions before using the iron for the first time**

1. Certain parts of the iron have been lightly greased therefore the iron could give off a little smoke when plugged in for the first time. This will cease after a short while.
- 2.Before using the iron for the first time , remove the plastic protector from the base (if it has one) clean the base with a soft cloth.
3. Keep the base very smooth. Do not run it over metal objects (such as against the ironing board, buttons , zips ,etc.)
4. Pure wool fibres (100% wool)can be ironed with the appliance in the steam position .by preference ,select a high steam position and use a dry ironing cloth.

**Steady temperature**

1. Check the ironing instructions on the garment to be ironed.
2. Electronic temperature control, no need to manually adjust temperature

**How to fill the water tank.**

1. Disconnect iron power supply
2. Open the water cap
3. Fill the water tank to the MAX water level and close the cap
4. If you have hard water ,it is advisable to use only distilled or demineralized water.

**-do not use chemically de-limed water or perfumed**

**Steam ironing**

- 1.Fill the iron as described in the section “**how to fill the water tank**”.
2. Plug the iron into the mains.
- 3.Steam ironing is possible only when heating is complete.Otherwise ,water may escape through the soleplate.
4. Wait until the indicator does not flicker to prove that the bottom plate has been heated.
- 5.Press Steam switch to realize Steam ironing.
- 6.When the iron is finished, place the iron in an upright position or on the base when the iron is interrupted
- 7.Disconnect the iron from the mains supply . Pour of any remaining water and leave the iron to cool off.

**Continuous steam**

1. Heating completed, temperature stabilized
3. Start steam switch, can choose large steam or ECO steam at the same time, the two stalls can be switched at any time

### **Explosion steam**

- When the heating is completed, the temperature is stable.
- Press the steam in two seconds quickly, and the steam will start to explode in two seconds, while the steam will flash for 2 seconds.

## **Cleaning**

1. Please make sure there is enough water in the tank before cleaning
2. When the pump works for 25 hours, it will prompt the product to be cleaned.
3. Please put the iron in a safe position before cleaning to prevent people from being injured by hot water during cleaning
4. After the heating is complete, the long press the cleaning switch for 3 seconds, and the iron enters the cleaning mode. The display on the screen flashes and goes with the 3 sound of bees.
5. Two minutes later, the buzzer rang three times, indicating that the cleaning was complete.

### **Auto shut off**

1. When the iron is stationary for more than 10 minutes, the iron goes out of power mode
2. The power-off sign flashed on the display, accompanied by six buzzing sounds
3. Press the steam switch to restore the power
4. Irons will not be cut off during steam discharge

### **Anti drip**

This iron is equipped with a drip stop function: the iron automatically stops steaming when the temperature is too low to prevent water from dripping out of the soleplate.

### **Anhydrous detection**

In the course of working, if there is no water in the water tank, the pump will automatically stop working to protect the life of the pump

### **Defects and repairs**

Do not attempt to replace a defective mains lead. The appliance has to be returned to an authorized service centre for repair.



## **Faults-reasons and solutions**

### **Iron emits an odor or smoke**

Iron gives off an odor when turned on for the first time. Oils used during manufacture need to be burnt off allow ten minutes for odor to disappear.

### **Iron does not heat**

The iron should be plugged into a 230 Volt , Whether the power switch is turned on

### **Iron does not steam**

The water tank many be empty. Turn the steam valve to “0” and add water .Allow the iron to heat, and then set the steam dial to the steam setting.

“how to fill the water tank” .

### **Iron is leaking**

The variable steam dial must be set on” 0“,until the iron is hot . The temperature setting is too low to produce steam. Shot of steam used too much, allow iron to re-heat.

## **WARRANTY**

The warranty period for our products is 2 years, unless otherwise stated, starting from the date of initial purchase or the date of delivery.

If you have any problems or questions, you can easily access our help pages, troubleshooting tips, FAQ, and user manuals on our service site: <https://sav.hkoenig.com>.

By typing the reference name of your device in the search bar, you can access all available online support, designed to best meet your needs.

If you still cannot find an answer to your question or problem, then click on “Did the answer solve your problem?”. This will direct you to the Customer Support Request Form, which you can fill out to validate your request and get help.

## **WARRANTY CONDITIONS**

The warranty covers all failures occurring under normal use, in accordance with the usage and specifications in the user's manual.

This warranty does not apply to packaging or transportation problems during shipment of the product by the owner. It also does not include normal wear and tear of the product, nor maintenance or replacement of consumable parts.

## **EXCLUSION OF WARRANTY**

- Accessories and wearing parts (\*).
- Normal maintenance of the device.
- All breakdowns resulting from improper use (shocks, failure to comply with power supply recommendations, poor conditions of use, etc.), insufficient maintenance or misuse of the device, as well as the use of unsuitable accessories.
- Damage of external origin: fire, water damage, electrical surge, etc.
- Any equipment that has been disassembled, even partially, by persons other than those authorized to do so (notably the user).
- The products whose serial number would be missing, deteriorated or illegible that would not allow its identification.
- The products subjected to leasing, demonstration, or exhibition.

(\*) Some parts of your device, called wear parts or consumables, deteriorate with time and frequency of use of your device. This wear and tear are normal but can be accentuated by poor conditions of use or maintenance of your device. These parts are therefore not covered by the warranty.

The accessories supplied with the device are also excluded from the warranty. They cannot be exchanged or refunded. However, some accessories can be purchased directly through our website: <https://sav.hkoenig.com/>.

## ENVIRONNEMENT



As a responsible retailer we care about the environment. As such we urge you to follow the correct disposal procedure for the appliance and packaging materials. This will help conserve natural resources and ensure that it is recycled in a manner that protects health and the environment.

You must dispose of this appliance and its packaging according to local laws and regulations. Because this appliance contains electronic components, the appliance and its accessories must be disposed of separately from household waste when the appliance reaches its end of life. Contact your local authority to learn about disposal and recycling. The appliance should be taken to your local collection point for recycling. Some collection points accept appliance free of charge.

Adeva SAS / H.Koenig Europe - 8 rue Marc Seguin - 77290 Mitry Mory - France  
[www.hkoenig.com](http://www.hkoenig.com) - [sav@hkoenig.com](mailto:sav@hkoenig.com) - [contact@hkoenig.com](mailto:contact@hkoenig.com) - Tél : +33 1 64 67 00 05

# FRANÇAIS

## CONSIGNES IMPORTANTES DE SÉCURITÉ

Lors de l'utilisation de ce produit, les précautions de base devraient toujours être suivies, notamment les suivantes :

### **VEUILLEZ LIRE TOUTES LES INSTRUCTIONS AVANT L'UTILISATION**

1. N'utilisez le fer que pour l'usage auquel il est destiné.
2. Pour éviter tout risque de choc électrique, ne plongez pas le fer dans l'eau ou dans tout autre liquide.
3. Le fer doit toujours être au minimum, □avant de le brancher ou de le débrancher. Ne tirez jamais sur le cordon pour le débrancher de la prise ; saisissez plutôt la fiche et tirez pour le débrancher
4. Ne laissez pas le cordon toucher les surfaces chaudes. Laissez refroidir complètement le fer avant de le ranger. Enroulez de manière lâche le cordon autour du fer lors du rangement.
5. Débranchez toujours le fer de la prise électrique lors du remplissage du réservoir d'eau ou de son vidage, et lorsque vous ne l'utilisez pas.
6. N'utilisez pas le fer avec un cordon endommagé, s'il est tombé ou est abîmé. Pour éviter tout risque de choc électrique, ne démontez pas le fer. Apportez-le à un technicien qualifié pour qu'il l'examine et le répare. Un remontage incorrect peut entraîner un risque d'électrocution lors de l'utilisation du fer.
7. Une surveillance assidue est nécessaire lorsque un appareil est utilisé par ou à proximité des enfants. Ne

laissez pas le fer à repasser sans surveillance lorsqu'il est branché ou sur une table à repasser.

8. Vous risquez de vous brûler en touchant des pièces métalliques chaudes, de l'eau chaude ou de la vapeur. Faites attention lorsque vous retournez un fer à vapeur : il peut y avoir de l'eau chaude dans le réservoir.

9. Si le voyant de panne s'allume, le fer à repasser ne fonctionne pas normalement. Débranchez alors le fer et faites-le réparer par un technicien qualifié.

10. Le fer doit être utilisé et posé sur une surface plane et stable.

11. Le fer à repasser ne doit pas être utilisé s'il est tombé, s'il y a des signes visibles de dommages ou en cas de fuite.

12. Cet appareil peut être utilisé par des personnes dont les capacités physiques, sensorielles ou mentales sont réduites ou dont l'expérience ou les connaissances ne sont pas suffisantes, à condition qu'elles bénéficient d'une surveillance ou qu'elles aient reçu des instructions quant à l'utilisation de l'appareil en toute sécurité et qu'elles en comprennent bien les dangers potentiels.

13. Les enfants doivent être surveillés pour s'assurer qu'ils ne jouent pas avec l'appareil.

14. Le fer ne doit pas être laissé sans surveillance pendant qu'il est branché.

15. La fiche doit être retirée de la prise murale avant que le réservoir d'eau ne soit rempli.

16. Lorsque vous placez le fer sur son socle, assurez-vous que la surface sur laquelle le socle est placé soit stable.

17. Le fer ne doit pas être utilisé s'il est tombé, s'il présente des signes visibles de dommages ou s'il fuit. Si le câble d'alimentation est endommagé, il doit être remplacé par le fabricant, son agent technique ou une personne de même qualification, afin d'éviter tout accident.

19. Le symbole  signifie que les surfaces sont susceptibles de chauffer pendant l'utilisation.

20. Cet appareil peut être utilisé par des enfants d'au moins 8 ans, à condition qu'ils soient surveillés et qu'ils aient reçu des instructions sur l'utilisation de l'appareil en toute sécurité et qu'ils soient pleinement conscients des dangers encourus.

21. Le nettoyage et l'entretien ne doivent pas être effectués par des enfants à moins qu'ils soient âgés d'au moins 8 ans et surveillés par un adulte.

22. Gardez l'appareil et son cordon d'alimentation hors de portée des enfants de moins de 8 ans.

23. L'appareil ne doit pas être utilisé s'il est tombé, s'il présente des signes évidents de dégâts ou des fuites.

24. Lors de l'utilisation d'équipements électriques, des mesures de sécurité doivent toujours être prises pour éviter tout risque d'incendie, d'électrocution et / ou de blessure en cas de mauvaise utilisation.

Votre appareil a été conçu pour un usage domestique seulement. Elle n'a pas été conçue pour être utilisée dans les cas suivants qui ne sont pas couverts par la garantie :

– dans des coins de cuisines réservés au personnel

dans des magasins, bureaux et autres environnements professionnels,

– dans des fermes auberges,

– par les clients des hôtels, motels et autres environnements à caractère résidentiel,

– dans des environnements de type chambres d'hôtes.

## **RECOMMANDATIONS PARTICULIÈRES**

1. Pour éviter une surcharge du circuit, ne faites pas fonctionner un autre appareil de forte puissance sur le même circuit.

2. Si une rallonge est absolument nécessaire, un fil de 10 ampères doit être utilisé. Les fils dont l'ampérage est inférieur peuvent surchauffer. Il convient de veiller à ce que le cordon ne puisse pas être tiré ou que quelqu'un ne trébuche dessus.

## **CONSERVEZ CES INSTRUCTIONS**

### **Plus concrètement :**

**NE PAS** laissez des enfants ou des personnes non formées utiliser l'appareil sans surveillance.

**NE PAS** plonger le fer, le cordon ou la fiche dans un liquide.

**NE PAS** laisser le fer chaud toucher des tissus ou des surfaces très inflammables.

**NE PAS** laisser l'appareil branché inutilement. Débranchez la fiche du secteur lorsque l'appareil n'est pas utilisé.

**NE PAS** tirer sur le cordon de l'appareil pour retirer la fiche de la prise.

**NE PAS** laisser l'appareil exposé aux intempéries (pluie, soleil, etc.).

**NE PAS** laisser le fer sans surveillance lorsqu'il est branché.

**NE PAS** remplir le réservoir d'eau avant de retirer la fiche de la prise.

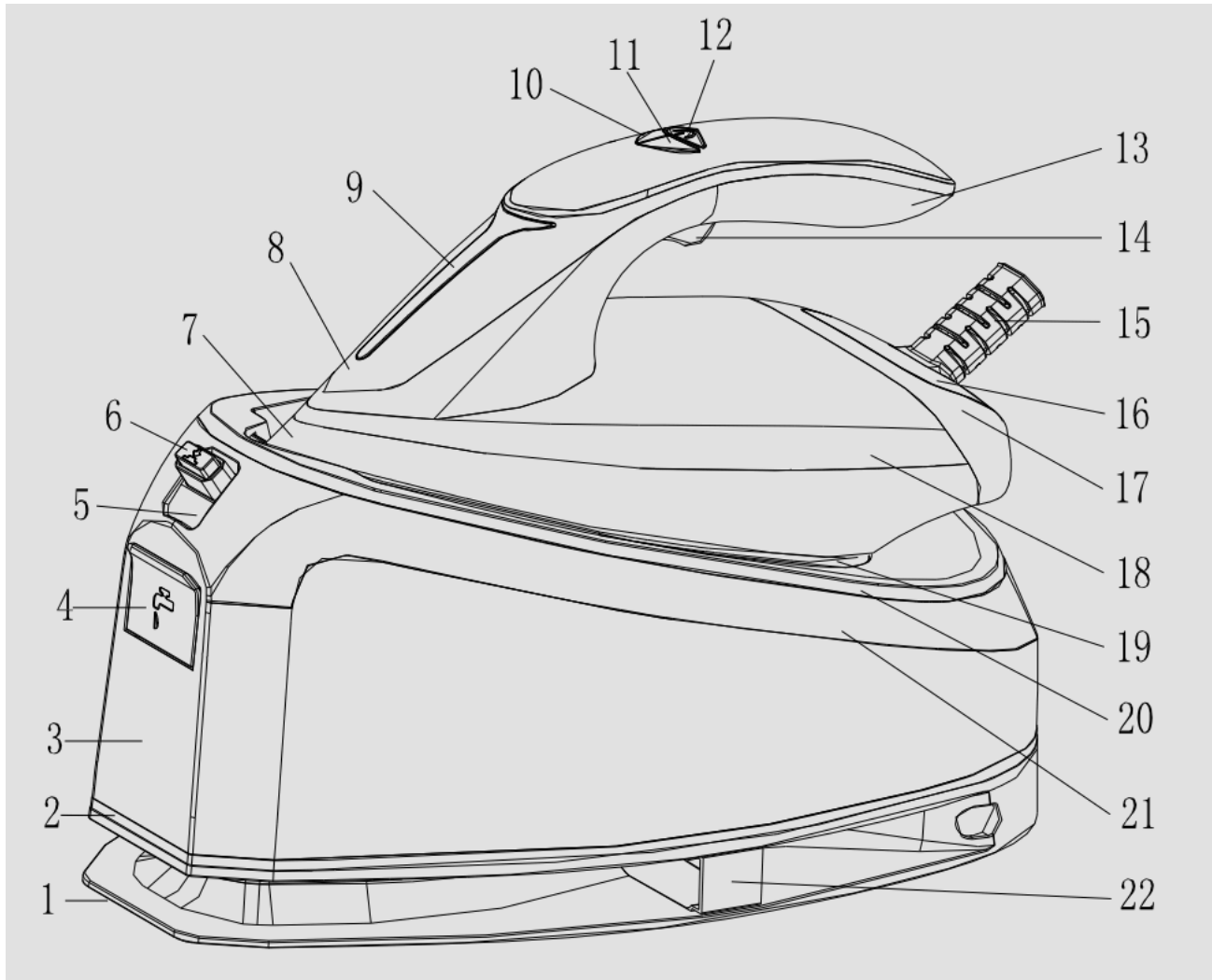
### **ATTENTION !**

**N'utilisez pas d'additifs chimiques, de substances parfumées ou de détartrants. Le non-respect des recommandations entraîne la perte de la garantie.**

## DESCRIPTION DE L'APPAREIL

### INSTRUCTIONS GÉNÉRALES

Lorsque vous utilisez le fer pour la première fois, vous remarquerez peut-être une légère fumée et entendrez des sons émis par les plastiques qui se dilatent. C'est tout à fait normal et cela cesse après un court laps de temps. Nous vous recommandons également de passer le fer sur un chiffon ordinaire avant de l'utiliser pour la première fois.



1. Socle

2. Base du réservoir

3. Réservoir

4. Bouchon

5. Verrouillage

6. Déverrouillage

7. Collerette

8. Fer à repasser

9. Témoin

10. Vapeur

11. Nettoyage

12. Interrupteur

13. Poignée

14. Commande vapeur

15. Cordon

16. Raccord

17. Couvercle

18. Coque

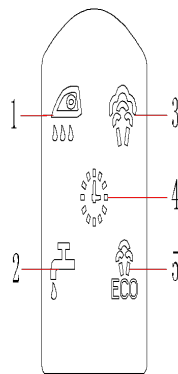
19. Semelle

20. Face-plate

21. Centrale

22. Logement du  
cordon





1. Conseils de nettoyage
2. Pas d'eau dans le réservoir
3. Vapeur
4. Coupure automatique de courant
5. Vapeur à économie d'énergie

### Suggestions avant d'utiliser le fer pour la première fois

1. Certaines parties du fer ont été légèrement graissées, le fer peut donc dégager un peu de fumée lorsqu'il est branché pour la première fois. Cela cessera après un court instant.
2. Avant d'utiliser le fer pour la première fois, retirez le protecteur en plastique de la semelle (s'il en a un) et nettoyez-la avec un chiffon doux.
3. N'abîmez pas la semelle. Ne la faites pas passer sur des objets métalliques (comme les boutons, les fermetures, les boucles, etc.)
4. Les tissus en pure laine (100% laine) peuvent être repassés avec le fer en position vapeur. De préférence, sélectionnez une position vapeur élevée et utilisez un chiffon à repasser sec.

### Température constante

1. Consultez les instructions de repassage pour le vêtement à repasser.
2. Contrôle électronique de la température, pas besoin d'ajuster manuellement la température.

### Comment remplir le réservoir d'eau

1. Débranchez l'appareil.
2. Retirez le bouchon du réservoir.
3. Remplissez le réservoir d'eau jusqu'au niveau MAX et replacez le bouchon.
4. Si l'eau de votre robinet est dure, il est conseillé de n'utiliser que de l'eau distillée ou déminéralisée.

**- Ne pas utiliser d'eau adoucie chimiquement ou parfumée**

### Repassage à la vapeur

1. Remplissez le fer comme décrit dans la rubrique **Comment remplir le réservoir d'eau**.

2. Branchez le fer au secteur.

Le repassage à la vapeur n'est possible que lorsque le fer est bien chaud, sinon l'eau peut passer à travers la semelle.

4. Attendez que le témoin ne clignote plus pour être sûre que la semelle est bien chaude.

5. Appuyez sur l'interrupteur *Steam* pour effectuer le repassage à la vapeur.

6. Quand le repassage est terminé, placez le fer en position verticale ou sur le socle si vous devez reprendre le repassage.

7. Débranchez le fer du secteur, enlevez l'eau restante et laissez le fer refroidir.

### **Vapeur continue**

2. Chauffage terminé, température stabilisée.
2. Avec la commande de vapeur, vous pouvez choisir la puissance maximale ou ECO en même temps, les deux positions peuvent être sélectionnées à tout moment.

### **Projection de vapeur**

- Lorsque le chauffage est terminé et que la température est stable.
- Appuyez rapidement sur la commande vapeur en deux secondes et la vapeur commencera à jaillir en deux secondes, tandis que le témoin clignotera pendant 2 secondes.

## **Nettoyage**

1. Veuillez-vous assurer qu'il y ait suffisamment d'eau dans le réservoir avant le nettoyage
2. Au bout de 25 heures de fonctionnement, l'appareil signalera le premier nettoyage.
3. Veuillez mettre le fer à repasser dans une position stable avant le nettoyage pour éviter que des personnes ne soient brûlées par de l'eau chaude pendant l'opération.
4. Une fois le chauffage terminé, appuyez sur l'interrupteur de nettoyage pendant 3 secondes et le fer passe en mode de nettoyage. L'affichage sur l'écran clignote et 3 bips se font entendre.
5. Deux minutes plus tard, 3 bips à nouveau signalent que le nettoyage est terminé.

### **Arrêt automatique**

5. Lorsque le fer est immobile pendant plus de 10 minutes, il se coupe.
6. Le signe de mise hors tension clignote sur l'écran, accompagné de 6 bips.
3. Appuyez sur la commande vapeur pour rétablir le courant.
7. Le fer ne se coupe pas pendant la projection de vapeur

### **Anti-goutte**

Ce fer est équipé d'une fonction anti-goutte : le fer arrête automatiquement la vapeur lorsque la température est trop basse pour empêcher l'eau de couler de la semelle.

### **Réservoir vide**

Au cours du repassage, s'il n'y a plus d'eau dans le réservoir, la pompe cessera automatiquement de fonctionner pour éviter de tomber en panne.

### **Défauts et réparations**

N'essayez pas de remplacer un cordon d'alimentation défectueux. L'appareil doit être

retourné au service pour réparation.

## **Pannes et solutions**

### **L'appareil émet une odeur ou de la fumée**

Le fer dégage une odeur lorsqu'il est allumé pour la première fois. Les huiles utilisées lors de la fabrication seront brûlées et l'odeur disparaîtra au bout de dix minutes.

### **L'appareil ne chauffe pas**

Le fer doit être branché sur une prise 230V puis allumé.

### **L'appareil ne produit pas de vapeur**

Le réservoir d'eau se vide rapidement. Tournez la commande vapeur sur **0** et ajoutez de l'eau. Laissez le fer chauffer, puis réglez la commande vapeur.

### **Comment remplir le réservoir d'eau**

### **L'appareil fuit**

La commande vapeur doit être réglée sur 0 jusqu'à ce que le fer soit chaud. La température est trop basse pour produire de la vapeur. Laissez le fer se réchauffer.

## **GARANTIE**

La durée de garantie de nos produits est de 2 ans, sauf décret en vigueur, à compter de la date d'achat initiale ou la date de livraison.

En cas de problèmes ou d'interrogations, vous pouvez facilement accéder à nos pages d'aides, conseils de dépannage, FAQ et modes d'emplois sur notre site SAV : <https://sav.hkoenig.com>.

En tapant le nom de référence de votre appareil dans la barre de recherche, vous accédez à tous les supports en ligne disponibles, conçus pour vous répondre au mieux à vos besoins. Si vous ne trouvez toujours pas de réponse à votre question ou votre problème, alors cliquez sur « Est-ce que la réponse a résolu votre problème ? ». Vous accéderez alors au formulaire de demande d'assistance SAV, qu'il vous suffira de compléter pour valider votre demande et obtenir de l'aide.

## **CONDITIONS DE GARANTIE**

La garantie couvre l'ensemble des pannes survenant dans le cadre d'une utilisation normale, conforme aux usages et spécifications présentes sur le manuel d'utilisation.

Cette garantie ne s'applique pas aux problèmes d'emballage ou de transport pendant l'expédition du produit par son propriétaire. Elle n'inclut également pas l'usure normale du produit, ni la maintenance ou le remplacement de pièces consommables.

## **EXCLUSION DE GARANTIE**

- Les accessoires et les pièces d'usure (\*).
- L'entretien normal de l'appareil.
- Toutes pannes survenant par suite d'une mauvaise utilisation (chocs, non-respect des préconisations d'alimentation électrique, mauvaises conditions d'utilisation, etc.), d'un entretien insuffisant ou d'un détournement de fonction de l'appareil, ainsi que l'usage d'accessoires non appropriés.
- Les dommages d'origine externe : incendie, dégâts des eaux, surtension électrique, etc.
- Tout matériel qui aura été démonté même partiellement par des personnes autres que celles habilitées (notamment l'utilisateur).

- Les produits dont le numéro de série serait absent, détérioré ou illisible que ne permettrait pas son identification.
- Les produits soumis à la location, à la démonstration ou à l'exposition.

(\*) Certaines pièces de votre appareil dites pièces d'usure ou consommables se détériorent avec le temps et la fréquence d'usage de votre appareil. Cette usure est normale, mais peut être accentuée par des mauvaises conditions d'utilisation ou entretien de votre appareil. Ces pièces ne sont donc pas couvertes par la garantie.

Les accessoires fournis avec l'appareil sont également exclus du champ de la garantie. Ils ne peuvent donc être ni échangés, ni remboursés. Toutefois, certains accessoires peuvent être directement achetés via notre site : <https://sav.hkoenig.com/>.

## ENVIRONNEMENT



Vous ne devez pas vous débarrasser de cet appareil avec vos déchets ménagers. Un système de collecte sélective pour ce type de produit est mis en place par les communes, vous devez vous renseigner auprès de votre mairie afin d'en connaître les emplacements. En effet, les produits électriques et électroniques peuvent contenir des substances dangereuses qui ont des effets néfastes sur l'environnement ou la santé humaine et doivent être recyclés. Le symbole ci-contre indique que les équipements électriques et électroniques font l'objet d'une collecte sélective, il représente une poubelle sur roues barrée d'une croix.

Adeva SAS / H.Koenig Europe - 8 rue Marc Seguin - 77290 Mitry Mory - France  
[www.hkoenig.com](http://www.hkoenig.com) - [sav@hkoenig.com](mailto:sav@hkoenig.com) - [contact@hkoenig.com](mailto:contact@hkoenig.com) - Tél : +33 1 64 67 05

# DEUTSCH

## WICHTIGE SICHERHEITSANWEISUNGEN

Während der Nutzung Ihres Bügeleisens müssen die grundlegenden Vorsichtsmaßnahmen immer befolgt werden, einschließlich den Folgenden:

### **LESEN SIE ALLE ANWEISUNGEN VOR DER NUTZUNG**

1. Benutzen Sie das Bügeleisen nur zum dafür vorgesehenen Zweck.
2. Um sich vor dem Risiko eines Stromschlages zu schützen, tauchen Sie das Gerät nicht in Wasser oder andere Flüssigkeiten.
3. Das Bügeleisen muss stets auf "min" eingestellt werden, bevor Sie dieses ans Netz schließen oder davor trennen. Ziehen Sie niemals am Kabel, um dieses von der Steckdose zu trennen; Stattdessen halten Sie den Stecker und ziehen Sie daran.
4. Lassen Sie das Kabel nicht mit heißen Flächen in Berührung kommen. Lassen Sie das Gerät komplett abkühlen, bevor Sie dieses wegräumen. Wickeln Sie das Kabel eng um das Gerät während der Lagerung auf.
5. Trennen Sie das Bügeleisen immer von der Steckdose wenn Sie dieses mit Wasser befüllen, es leeren, oder beim Nichtgebrauch.
6. Bedienen Sie das Bügeleisen nicht, wenn das Kabel beschädigt ist, wenn es fallen gelassen oder beschädigt wurde. Um das Risiko eines Stromschlages zu vermeiden, bauen Sie das Bügeleisen nicht auseinander. Bringen Sie dieses zu einem qualifizierten Fachmann für

die Kontrolle oder Reparatur. Eine inkorrekte Montage kann zu dem Risiko eines Stromschlages führen, während das Bügeleisen benutzt wird.

7. Eine enge Aufsicht ist erforderlich, wenn das Gerät von Kindern oder in der Nähe von Kindern benutzt wird.

8. Verbrennungen können durch das Berühren von heißen Metallteilen, heißem Wasser oder Dampf entstehen. Seien Sie vorsichtig, wenn Sie das Bügeleisen umdrehen- es kann Wasser im Behälter geben.

9. Wenn die Fehlfunktionsanzeige angeht, funktioniert das Bügeleisen nicht korrekt. Trennen Sie das Gerät vom Netz und lassen Sie das Bügeleisen von einem qualifizierten Fachmann warten.

10. Das Bügeleisen muss auf einer stabilen Fläche benutzt und gelagert werden.

11. Das Bügeleisen darf nicht benutzt werden, wenn es fallen gelassen wurde, wenn es sichtbare Anzeichen von Beschädigungen aufweist oder eine Leckage hat.

12. Dieses Gerät kann von Personen mit eingeschränkten körperlichen, sensorischen oder geistigen Fähigkeiten oder mangelnder Erfahrung und Kenntnis benutzt werden, vorausgesetzt, dass sie beaufsichtigt oder in der sicheren Benutzung des Gerätes unterwiesen werden und die möglichen Gefahren vollständig verstehen.

13. Kinder müssen beaufsichtigt werden, um sicherzustellen, dass Sie mit dem Gerät nicht spielen.


14. Lassen Sie das Gerät nicht unbeaufsichtigt, wenn es an die Stromversorgung angeschlossen ist;

15. Der Stecker muss von der Steckdose getrennt werden, bevor Sie den Wasserbehälter mit Wasser befüllen.

16. Wenn Sie das Bügeleisen auf seiner Grundlage platzieren, vergewissern Sie sich, dass die Fläche, auf der die Grundlage steht, stabil ist.

17. Das Bügeleisen darf nicht benutzt werden, wenn es fallen gelassen wurde, wenn es sichtbare Anzeichen einer Beschädigung aufweist oder eine Leckage hat.

18. Wenn das Stromkabel beschädigt ist, muss es von dem Hersteller, seinem Dienstleister oder einer ähnlich qualifizierten Person ersetzt werden, um Gefahren zu vermeiden.

19. Das Symbol “  ” bedeutet, dass die Flächen während der Nutzung heiß werden.

20. Dieses Gerät darf von Kindern ab 8 Jahre benutzt werden, solange sie beaufsichtigt werden oder Anweisungen über eine sichere Nutzung des Gerätes erhielten und kennen die damit verbundenen Gefahren.

21. Die Reinigung und Wartung dürfen nicht von Kindern durchgeführt werden, es sei denn sie sind über 8 Jahre alt und werden von einem Erwachsenen beaufsichtigt.

22. Halten Sie das Gerät und sein Kabel außer Reichweite von Kindern unter 8 Jahren.

23. Das Bügeleisen darf nicht benutzt werden, wenn es fallen gelassen wurde, wenn es sichtbare Anzeichen einer Beschädigung aufweist oder eine Leckage hat.

24. Während der Nutzung von elektrischen Geräten, müssen Sicherheitsvorkehrungen immer beachtet

werden, um das Risiko eines Brandes, eines Stromschlages und/oder einer Verletzung im Falle eines Missbrauchs zu vermeiden.

Ihr Gerät ist nur für den Hausgebrauch bestimmt. Es ist nicht für die Verwendung in den folgenden Situationen vorgesehen, die nicht von der Garantie abgedeckt sind:

- in Personalküchen in Geschäften, Büros und anderen professionellen Umgebungen,
- in Landgasthöfen,
- von Gästen in Hotels, Motels und anderen Wohnumgebungen,
- in Bed-and-Breakfast-Umgebungen.

## **BESONDERE ANWEISUNGEN**

1. Um eine Überlastung des Stromkreises zu vermeiden, schließen Sie kein anderes Gerät mit einem hohen Stromverbrauch an denselben Stromkreis an.

2. Wenn ein Verlängerungskabel absolut erforderlich ist, benutzen Sie ein 10 Ampere Kabel. Die Kabel, die nicht für die betreffende Stromstärke ausgelegt sind, können überhitzen. Das Kabel muss sorgfältig platziert werden, so dass keiner dieses ziehen oder drüber stolpern kann.

## **BEWAHREN SIE DIESE ANWEISUNGEN AUF**

### **Insbesondere:**

Lassen Sie Kinder oder ungeschulte Personen **NICHT** das Gerät unbeaufsichtigt benutzen.

Tauchen Sie das Bügeleisen, das Kabel, oder den



Stecker **NIEMALS** in jegliche Flüssigkeiten.

Lassen Sie das heiße Bügeleisen **NICHT** im Kontakt mit Stoffen oder entflammbaren Flächen kommen.

Lassen Sie das Gerät **NICHT** unnötig angeschlossen. Trennen Sie den Stecker von der Steckdose wenn das Gerät nicht benutzt wird.

Fassen Sie das Gerät **NICHT** mit nassen oder feuchten Händen an.

Ziehen Sie **NICHT** am Kabel oder am Gerät, um den Stecker aus der Steckdose zu ziehen.

Lassen Sie das Gerät **NICHT** Witterungsbedingungen (Regen, Sonne, usw.) ausgesetzt.

Lassen Sie das Bügeleisen **NICHT** unbeaufsichtigt, wenn es an der Stromversorgung angeschlossen ist.

Befüllen Sie den Behälter **NICHT** mit Wasser, bevor Sie den Stecker aus der Steckdose ziehen.

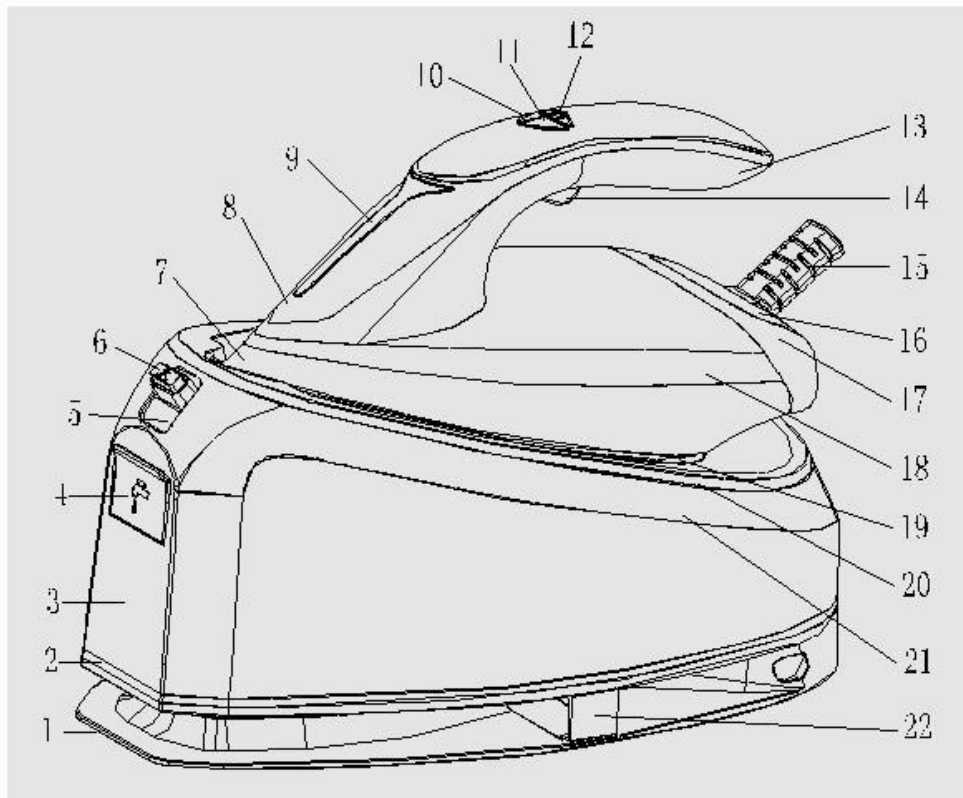
## **BITTE BEACHTEN SIE!**

**Benutzen Sie keine chemischen Zusatzstoffe, keine Aromastoffe oder Entkalker. Die Nichteinhaltung der oben aufgeführten Bestimmungen führt zum Garantieverlust.**

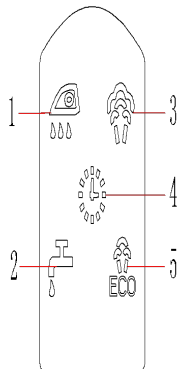
### **BESCHREIBUNG DES GERÄTES**

#### **ALLGEMEINE ANWEISUNGEN**

Wenn Sie das Bügeleisen zum ersten Mal benutzen, können Sie geringe Entwicklung von Rauch bemerken und bestimmte Gerüche durch expandierenden Kunststoff hören. Dies ist normal und hört nach einer kurze Zeit auf. We empfehlen Ihnen auch, das Bügeleisen vor der ersten Nutzung über einen normalen Stoff zu führen.



- |                       |                         |                        |                  |
|-----------------------|-------------------------|------------------------|------------------|
| 1. Lampenfuß          | 2. Wasserbehälter-Boden | 3. Wasserbehälter      | 4. Wasserdeckel  |
| 5. Schloß-Sperre      | 6. Entsperrtaste        | 7. Schürze             | 8. Loam Cake     |
| 9. Leuchte            | 10. Dampf-Schalter      | 11. Reinigungsschalter | 12. Netzschalter |
| 13. Handschaft        | 14. Dampf-Taste         | 15. Buchse             | 16. Verkleidung  |
| 17. hintere Abdeckung | 18. Oberteil            | 19. Kondensator        | 20. Blende       |
| 21. Heizkörper-Kappe  | 22. Ableitung           |                        |                  |



1. Reinigungshinweise 2. Kein Wasser im Behälter. 3. Viel Dampf  
4. Automatische Stromausfall-Hilfe 5. Energiespar-Dampf

### Empfehlungen vor der ersten Nutzung des Bügeleisens

- Bestimmte Teile des Bügeleisens wurden leicht geschmiert, deswegen kann das Bügeleisen etwas Rauch abgeben, wenn es zum ersten Mal angeschlossen wird. Dies wird nach einer kurze Zeit aufhören.
- Bevor Sie das Bügeleisen zum ersten Mal benutzen, entfernen Sie den Plastikschutz von der Grundlage (wenn diese einen hat) und reinigen Sie die Grundlage mit einem feuchten Tuch.
- Behandeln Sie die Grundlage vorsichtig. Ziehen Sie diese nicht über Metallgegenstände ( wie z.B. gegen das Bügelbrett, Knöpfe, Reißverschlüsse, usw.)
- Reine Wollfaser (100% Wolle) kann mit dem Gerät in der Dampf-Einstellung gebügelt werden, je nach Wusch wählen Sie die Hoch-Dampf-Einstellung und verwenden Sie ein trockenes Tuch.

### Konstante Temperatur

- Überprüfen Sie die Bügelanweisungen auf dem Kleidungsstück, das gebügelt wird.
- Elektronische Temperaturkontrolle, die Temperatur muss nicht manuell angepasst werden.

### Den Wasserbehälter befüllen.

- Trennen Sie das Gerät vom Netz.
- Öffnen Sie den Wasserdeckel.
- Füllen Sie den Wasserbehälter bis zur MAX Markierung und schließen Sie den Deckel.
- Wenn Sie hartes Wasser haben wird es empfohlen, nur destilliertes oder demineralisiertes Wasser zu verwenden.

**-Benutzen Sie kein chemisch entkalktes oder parfümiertes Wasser.**

### Dampfbügeln

- Befüllen Sie das Bügeleisen, wie im Abschnitt "Den Wasserbehälter befüllen" beschrieben ist.
- Schließen Sie das Bügeleisen an die Stromversorgung an.
- Sie können dampfbügeln nur wenn das Bügeleisen vollständig erhitzt ist, ansonsten kann das Wasser durch die Sohlenplatte entkommen.
- Warten Sie, bis die Anzeige nicht mehr blinkt, um sicherzustellen, dass die Sohlenplatte vollständig erhitzt wurde.

5. Drücken Sie auf den Dampfschalter, um mit Dampf zu bügeln.
6. Wenn Sie mit dem Bügeln fertig sind, stellen Sie das Bügeleisen senkrecht, oder auf die Grundlage, wenn Sie den Bügelvorgang unterbrechen müssen.
7. Trennen Sie das Bügeleisen von der Stromversorgung. Gießen Sie das Restwasser aus und lassen Sie das Bügeleisen abkühlen.

#### **Durchgehendes Dampfen**

1. Das Gerät ist erhitzt, die Temperatur ist stabil.
2. Drücken Sie auf den Dampfschalter, Sie können viel Dampf oder ECO Dampf gleichzeitig wählen, die Einstellungen können jederzeit geändert werden.

#### **Dampfexplosion**

- Das Gerät ist erhitzt, die Temperatur ist stabil.
- Drücken Sie zwei Sekunden auf den Dampfregler, der Dampf wird in zwei Sekunden ausgestoßen, die Leuchte wird für zwei Sekunden blinken.

## **Reinigung**

1. Vergewissern Sie sich vor der Reinigung, dass es genug Wasser in dem Wasserbehälter gibt.
2. Wenn die Pumpe für 25 Stunden gearbeitet hat, wird eine Reinigung erforderlich.
3. Platzieren Sie das Bügeleisen bitte in einer sicheren Position, damit keiner durch heißes Wasser während der Reinigung verletzt sein kann.
4. Nachdem der Erhitzvorgang abgeschlossen ist, drücken Sie für 3 Sekunden auf den Reinigungsschalter, das Bügeleisen wird den Reinigungsmodus betreten. Der Bildschirm wird blinken und 3 Signaltöne abgeben.
5. Nach zwei Minuten wird der Pieper 3 Mal ertönen und anzeigen, dass die Reinigung abgeschlossen ist.

#### **Automatisches Abschalten**

1. Wenn das Bügeleisen für länger als 10 Minuten nicht benutzt wird, wird es in den Schlafmodus gehen.
2. Das Abschalt-Symbol wird auf dem Display leuchten, Sie werden auch sechs Summtöne hören.
3. Drücken Sie auf dem Dampf-Schalter, um das Gerät wieder anzumachen.
4. Das Bügeleisen wird während des Dampfausstoßens nicht abgeschaltet.

#### **Anti-Tropf-Funktion**

Dieses Bügeleisen ist mit einer Anti-Tropf-Funktion ausgestattet: das Bügeleisen bricht das Dampfen automatisch ab, wenn die Temperatur zu niedrig wird, um das Auslaufen von Wasser aus der Sohlenplatte zu vermeiden.

### **Erkennung des Wassermangels**

Wenn es während des Betriebs kein Wasser mehr in dem Wasserbehälter gibt, wird die Pumpe automatisch anhalten, um die Lebensdauer der Pumpe zu schützen.

### **Mängel und Reparaturen**

Versuchen Sie nicht, ein defektes Netzkabel zu ersetzen. Das Gerät muss an eine autorisierte Servicestelle für eine Reparatur zurückgebracht werden.

### **Fehler-Gründe und Lösungen**

#### **Das Bügeleisen gibt einen Geruch oder Rauch ab.**

Das Bügeleisen kann bei der ersten Anwendung riechen. Die Öle von der Herstellung müssen abgebrannt werden, warten Sie zehn Minuten ab, bis der Geruch verschwindet.

#### **Das Bügeleisen wird nicht erhitzt**

Das Bügeleisen muss an einer 230 V Steckdose angeschlossen werden. Überprüfen Sie, ob der Power-Schalter an ist.

#### **Das Bügeleisen gibt keinen Dampf ab.**

Der Wassertank kann leer sein. Drehen Sie den Dampfventil auf "0" und fügen Sie etwas Wasser hinzu. Lassen Sie das Bügeleisen aufheizen, dann drehen Sie die Dampf-Wählscheibe auf die Dampf-Einstellung.

#### **"Den Wasserbehälter befüllen"**

#### **Das Bügeleisen hat eine Leckage**

Die verstellbare Dampf-Wählscheibe muss auf "0" eingestellt werden, bis das Bügeleisen heiß wird. Die Temperatureinstellung ist zu niedrig, um Dampf zu erzeugen. Der Dampf wurde zu oft ausgestoßen, erlauben Sie dem Bügeleisen, sich erneut zu aufzuheizen.

## **GARANTIE**

Die Garantiezeit für unsere Produkte beträgt 2 Jahre, sofern keine anderen Bestimmungen gelten, ab dem Datum des ursprünglichen Kaufs oder ab dem Lieferdatum.

Bei Problemen oder Fragen können Sie sich an unsere Hilfeseiten, Tipps zur Fehlerbehebung, FAQs und Bedienungsanleitungen auf unserer Kundendienst-Website wenden: <https://sav.hkoenig.com>.

Wenn Sie den Referenznamen Ihres Geräts in die Suchleiste eingeben, erhalten Sie Zugang zu allen verfügbaren Online-Supports.

Wenn Sie immer noch keine Antwort auf Ihre Frage oder Ihr Problem finden, dann klicken Sie auf "Hat die Antwort Ihr Problem gelöst?". Sie können dieses Formular ausfüllen, um Ihre Anfrage zu bestätigen und Hilfe zu erhalten.

### **GARANTIEBEDINGUNGEN**

Die Garantie deckt alle Defekte ab, die bei normalem, bestimmungsgemäßem Gebrauch und den in der Bedienungsanleitung enthaltenen Spezifikationen auftreten.

Diese Garantie gilt nicht für Probleme mit der Verpackung oder dem Transport während des Versands des Produkts durch den Eigentümer. Sie umfasst auch nicht den normalen Verschleiß des Produkts, die Wartung oder den Austausch von Verschleißteilen.

## AUSSCHLUSS DER GARANTIE

- Zubehör und Verschleißteile (\*).
- Die normale Wartung des Geräts.
- Alle Defekte, die durch unsachgemäßen Gebrauch (Stöße, Nichteinhaltung der empfohlenen Stromzufuhr, schlechte Nutzungsbedingungen usw.), unzureichende Wartung oder Zweckentfremdung des Geräts auftreten, sowie die Verwendung von ungeeignetem Zubehör.
- Schäden durch äußere Einflüsse: Brand, Wasserschäden, elektrische Überspannung usw.
- Alle Geräte, die von anderen als den befugten Personen (insbesondere dem Nutzer) auch nur teilweise auseinanderggebaut wurden.
- Produkte, deren Seriennummer fehlt, beschädigt oder unleserlich ist, sodass sie nicht identifiziert werden können.
- Produkte, die vermietet, vorgeführt oder ausgestellt werden.

(\*) Einige Teile Ihres Geräts, die als Verschleißteile oder Verbrauchsmaterialien bezeichnet werden, verschleiben mit der Zeit und der Häufigkeit der Nutzung Ihres Geräts. Diese Abnutzung ist normal, kann aber durch falsche Nutzung oder Pflege Ihres Geräts noch verstärkt werden. Diese Teile sind daher nicht durch die Garantie abgedeckt. Das mit dem Gerät gelieferte Zubehör ist ebenfalls von der Garantie ausgeschlossen. Sie können daher weder umgetauscht noch erstattet werden. Einige Zubehörteile können jedoch direkt über unsere Website <https://sav.hkoenig.com/> erworben werden.

## UMWELT



Als ein verantwortungsbewusster Händler tragen wir Sorge zur Umwelt. Deshalb fordern wir Sie auf, das Gerät und die Verpackungsmaterialien korrekt zu entsorgen. Dies trägt zur Erhaltung natürlicher Ressourcen bei und sorgt dafür, dass das Recycling auf umwelt- und gesundheitsverträgliche Weise erfolgt.

■ Dieses Gerät und seine Verpackung muss gemäß den örtlichen Gesetzen und Vorschriften entsorgt werden.

Da dieses Gerät elektronische Komponente enthält, muss es und sein Zubehör getrennt vom Haushaltsmüll entsorgt werden, wenn das Gerät das Ende seiner Lebensdauer erreicht. Kontaktieren Sie Ihre örtliche Behörde, um mehr über die Entsorgung und das Recycling zu erfahren.

Das Gerät muss an einem lokalen Sammelpunkt für das Recycling abgegeben werden. Manche Sammelstellen nehmen Geräte kostenlos an.

Adeva SAS / H.Koenig Europe - 8 rue Marc Seguin - 77290 Mitry Mory - France  
[www.hkoenig.com](http://www.hkoenig.com) - [sav@hkoenig.com](mailto:sav@hkoenig.com) - [contact@hkoenig.com](mailto:contact@hkoenig.com) - Tél : +33 1 64 67 00 05

## **NEDERLANDS**

### **BELANGRIJKE VEILIGHEIDSREGELS**

Bij gebruik van uw strijkijzer moet altijd de standaard veiligheidsregels worden opgevolgd, inclusief de volgende:

#### **LEES ALLE INSTRUCTIES VOOR GEBRUIK**

1. Gebruik het strijkijzer alleen voor zijn beoogde gebruik.
2. Ter bescherming tegen een elektrische schok niet het strijkijzer onderdompelen in water of een andere vloeistof.
3. Het strijkijzer moet altijd eerst op 'min' worden gezet voordat u de stekker uit het stopcontact haalt. Nooit aan de kabel trekken om de stekker uit het stopcontact te halen, altijd netjes de stekker vastpakken.
4. Laat de kabel geen hete oppervlakken aanraken. Laat het strijkijzer helemaal afkoelen voor u deze wegzet. Draai de kabel losjes om het strijkijzer voor opslag.
5. Altijd de stekker uit het stopcontact halen bij het bijvullen van water, het legen of indien deze niet gebruikt wordt.
6. Gebruik het strijkijzer niet met een beschadigde kabel of als het strijkijzer is gevallen of beschadigd is. Om het risico op een elektrische schok te vermijden mag u het strijkijzer niet uit elkaar halen. Breng het naar een gekwalificeerde monteur voor onderzoek en reparatie. Verkeerde montage kan leiden tot een elektrische schok bij gebruik.
7. Toezicht is noodzakelijk bij of door gebruik van kinderen. Laat het strijkijzer niet onbeheerd achter met

de stekker in het stopcontact of op een strijkplank.

8. Verbrandingen kunnen ontstaan door het aanraken van hete metalen delen, heet water of stoom. Wees voorzichtig als u een stoomstrijkijzer ondersteboven houdt– er kan heet water in het reservoir zitten.

9. Als de storingsindicator brandt, werkt de strijkijzer niet naar behoren. Haal de stekker uit het stopcontact en breng het strijkijzer voor onderzoek naar gekwalificeerd personeel.

10. Het strijkijzer moet worden gebruikt en geplaatst op een stevig oppervlak.

11. Het strijkijzer mag niet worden gebruikt als het is gevallen of als er zichtbare tekens zijn van schade of lekkage.

12. Dit apparaat kan worden gebruikt door personen met verminderde fysieke, zintuiglijke of mentale vermogens of met gebrek aan ervaring of kennis, op voorwaarde dat zij onder toezicht staan of instructies hebben gekregen over het veilige gebruik van het apparaat en dat zij de mogelijke gevaren volledig begrijpen.

13. Kinderen moeten onder toezicht worden gehouden, om te verzekeren dat ze niet met het apparaat spelen.

14. Het strijkijzer mag niet onbeheerd achter worden gelaten als de stekker nog in het stopcontact zit.

15. De stekker moet uit het stopcontact worden gehaald voordat het waterreservoir wordt gevuld.

16. Bij het plaatsen van het strijkijzer op zijn houder dient u te controleren dat het oppervlak waar de houder op wordt gezet stabiel is.



17. Het strijkijzer mag niet worden gebruikt als het is gevallen of als er zichtbare tekens zijn van schade of lekkage.

18. Als de stroomkabel beschadigd is, moet deze vervangen worden door de fabrikant, servicemonteur of gekwalificeerd persoon om gevaren te vermijden.

19. Het teken “  ” betekent dat oppervlaktes heet

kunnen worden.

20. Dit apparaat mag gebruikt worden door kinderen van minimaal 8 jaar als er toezicht wordt gehouden en ze instructies hebben gehad over hoe ze het apparaat moeten gebruiken en ze de gevaren begrijpen.

21. Het schoonmaken en onderhoud mag niet worden uitgevoerd door kinderen tenzij ze 8 jaar of ouder zijn en er toezicht is.

22. Houd het apparaat en de stroomkabel uit de buurt van kinderen jonger dan 8 jaar.

23. Het apparaat mag niet gebruikt worden als het gevallen is, als er duidelijk zichtbare schade is of als het lekt.

24. Bij het gebruik van elektrische apparaten moeten altijd de standaard veiligheidsinstructies worden opgevolgd om de kans op vuur, elektrische schokken en/of verwondingen te voorkomen.

Uw apparaat is uitsluitend ontworpen voor huishoudelijk gebruik. Het is niet bedoeld voor gebruik in de volgende situaties, die niet onder de garantie vallen:

- in personeelskeukens in winkels, kantoren en andere

professionele omgevingen,

- in boerderijherbergen,

- door gasten in hotels, motels en andere residentiële omgevingen,

- in bed & breakfast-omgevingen.

## **SPECIALE INSTRUCTIES**

1. Om het risico op overbelasting te verminderen, geen ander apparaat met een hoog stroomverbruik op dezelfde groep gebruiken.

2. Als een verlengkabel noodzakelijk is, dient dat er een van 10 ampère te zijn. Kabels met een lagere rating kunnen oververhit raken. De kabel dient zorgvuldig te worden geplaatst zodat er niet aan getrokken of over gestruikeld kan worden.

## **BEWAAR DEZE INSTRUCTIES**

### **Nog specifieker:**

**NIET** kinderen of ongeïnfomeerden het apparaat laten gebruiken zonder toezicht.

**NOOIT** het strijkijzer, kabel of stekker in een vloeistof onderdompelen.

**NIET** het strijkijzer op stoffen of ondergronden laten staan die kunnen ontbranden.

**NIET** de stekker onnodig in het stopcontact laten. Haal de stekker uit het stopcontact als het apparaat niet wordt gebruikt.

**NOOIT** het apparaat aanraken met natte of vochtige

handen.

**NIET** aan de stroomkabel of het apparaat trekken om de stekker te verwijderen.

**NIET** het apparaat blootstellen aan de elementen (regen, zon, etc.).

**NIET** het strijkijzer onbeheerd achterlaten als de stekker in het stopcontact zit.

**NIET** het reservoir met water vullen als de stekker nog in het stopcontact zit.

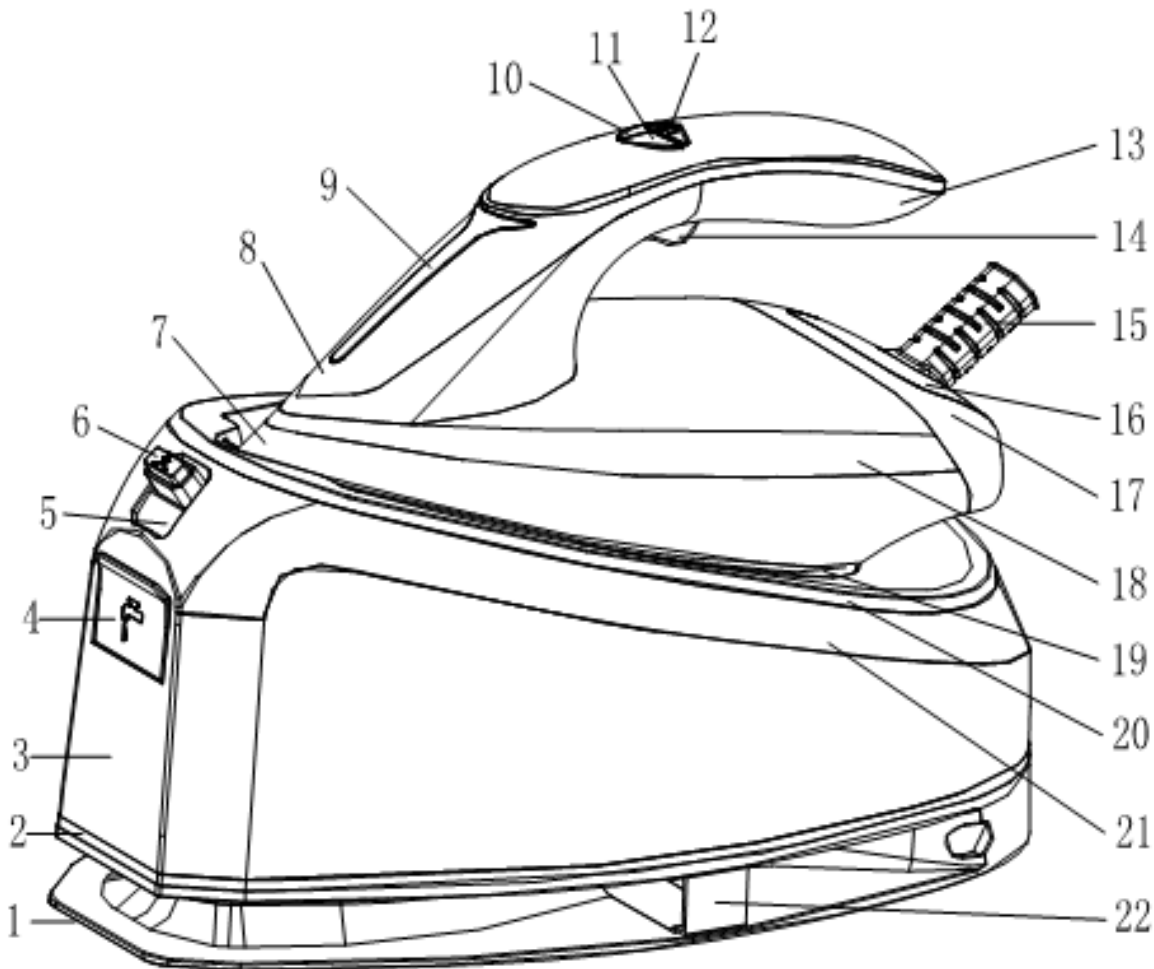
## **LET OP!**

**Gebruik geen chemische toevoegingen, geurende substanties of ontkalkers. Het niet opvolgen van bovenstaande regels laat de garantie vervallen.**

## BESCHRIJVING

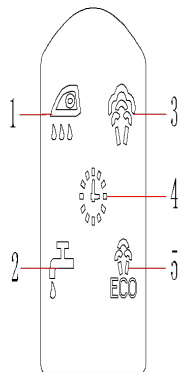
### ALGEMENE INSTRUCTIES

Als u voor het eerst gaat strijken, kunt u merken dat er wat rook vrijkomt en geluiden horen van het uitzettende plastic. Dit is normaal en stopt vanzelf na een korte tijd. We raden ook aan bij de eerste keer eerst een gewoon stukje stof te strijken.



1 houder	2 bodem watertank	3 watertank	4 waterdeksel
5 vergrendeling	6 ontgrendel knop	7 tussenstuk	8 standaard
9 verlichting	10 stoomschakelaar	11 schoonmaakknop	12 hoofdschakelaar
13 handgreep	14 stoomknop	15 wartel	16 afwerking
17 achterste afdekking	18 hoofdbehuizing	19 verwarmingsplaat	20 dekplaat
21 afdekking radiator	22 versteviging		

## CE



1. Schoonmaaktips
2. Water is op
3. Veel stoom
4. Automatische uitvalbeveiliging
5. Energiebesparende stoom

### Suggesties voor het eerste gebruik van het strijkijzer

1. Bepaalde delen van het strijkijzer zijn lichtelijk ingevet waardoor het strijkijzer wat rook kan produceren bij het eerste gebruik. Na een korte tijd stopt dit vanzelf.
2. Voor het eerste gebruik van het strijkijzer dient u de plastic bescherming van de zool te halen (indien aanwezig) en de zool schoonmaken met een zachte doek.
3. Houd de zool netjes. Ga er niet mee over metalen objecten (zoals tegen de strijkplank, knopen, ritsen, etc.)
4. Pure wollen stoffen (100% wol) kan worden gestreken met het apparaat in de stoomstand. Kies bij voorkeur een hoge stoomstand en gebruik een droge strijkdoek.

### Stabiele temperatuur

1. Volg de strijkinstructies op de kleding die gestreken wordt.
2. Elektronische temperatuurcontrole, het is niet nodig handmatig de temperatuur aan te passen.

### Hoe het waterreservoir vullen.

1. Haal de stekker uit het stopcontact.
2. Open de deksel van het reservoir.
3. Vul het waterreservoir tot de MAX-indicatie en sluit de deksel.
4. Als u hard water heeft, wordt het aangeraden om alleen gedestilleerd of gedemineraliseerd water te gebruiken.

### -Gebruik geen water met een chemische geur of parfum

### Stoomstrijken

1. Vul het strijkijzer zoals staat vermeld in sectie "**Hoe het waterreservoir vullen**".
2. Steek de stekker in het stopcontact.
3. Het stoomstrijken is alleen mogelijk als het op temperatuur is. Anders kan er water weglopen door de zool.
4. Wacht tot de indicator niet meer knippert, wat aangeeft dat de zool is opgewarmd.
5. Druk op de stoomknop om te gaan stoomstrijken.
6. Als het strijken klaar is, zet de strijkijzer dan rechtop, of op de houder als het strijken onderbroken wordt.

7. Haal de stekker uit het stopcontact. Giet het resterende water eruit en laat het strijkijzer afkoelen.

### **Continue stoom**

1. De opwarming is voltooid en de temperatuur is stabiel.

Druk op de stoomknop, kies voor veel stoom of ECO-stoom, er kan altijd tussen beide gewisseld worden.

### **Stoomexplosie**

- Als het verwarmen is voltooid, is de temperatuur stabiel.

- Druk twee seconde op de stoomknop, het strijkijzer zal twee seconde stoom uitstoten, terwijl de stoomindicator twee seconde knippert.

## **Schoonmaken**

1. Zorg dat er genoeg water in het reservoir zit voor het schoonmaken.

2. Als de pomp 25 uur heeft gewerkt, gaat de indicator om schoon te maken branden.

3. Plaats het strijkijzer op een veilige plek voor het schoonmaken zodat niemand gewond kan raken door heet water .

4. Als de opwarming is voltooid, druk dan 3 seconde op de schoonmaakknop en het strijkijzer gaat over in de schoonmaakmodus. Het display gaat dan knipperen en er klinken 3 piepjes.

5. Twee minuten later klinken er weer 3 piepjes die aangeven dat de schoonmaak is afgerond.

### **Automatische uitschakeling**

1. Als het strijkijzer langer dan 10 minuten niet gebruikt wordt, schakelt hij zichzelf uit.

2. Het uitschakelteken knippert dan op het scherm en er klinken zes piepjes.

3. Druk op de stoomknop om het apparaat weer in te schakelen.

4. Het strijkijzer schakelt niet zelf uit als het stoom produceert.

### **Anti-drup**

Dit strijkijzer is voorzien van een anti-drup-functie: het strijkijzer stopt met stoom maken als de temperatuur te laag is ter voorkoming dat wat uit de zool drupt.

### **Detectie te weinig water**

Als tijdens gebruik er te weinig water in de tank zit, stopt de pomp automatisch met werken ter bescherming van ervan.

## **Storingen en reparaties**

Probeer niet zelf een kapotte stroomkabel te repareren. Het apparaat moet naar een geautoriseerd servicepunt worden gebracht ter reparatie.

## **Reden voor storingen en oplossingen**

### **Het strijkijzer laat een geur of rook vrijkomen**

Het strijkijzer geeft een geur af bij het eerste gebruik. Olie die gebruikt is bij de fabricatie moet eerst weggebrand worden, laat het apparaat 10 minuten aanstaan om de geur te laten verdwijnen.

### **Het strijkijzer wordt niet warm**

Het strijkijzer dient te worden aangesloten op een stopcontact met 230 Volt. Schakel het apparaat in.

### **Het strijkijzer maakt geen stoom**

Het waterreservoir kan leeg zijn. Zet de stoomknop op "0" en voeg water toe. Laat het strijkijzer opwarmen en schakel dan de stoom in.

### **"Hoe het waterreservoir vullen."**

### **Het strijkijzer lekt**

De instelbare stoomknop dient op "0" te staan tot het strijkijzer opgewarmd is. De temperatuurinstelling is te laag om stoom te produceren. Er is te veel stoom gebruikt, laat het strijkijzer opnieuw opwarmen.

# **GARANTIE**

De garantieperiode op onze producten is 2 jaar, tenzij anders vermeld, beginnend vanaf de datum van de initiële aankoop of bezorgdatum.

Als u problemen of vragen heeft, kunt u eenvoudig onze hulppagina's bezoeken voor tips om problemen op te lossen, de FAQ's en andere gebruikershandleidingen op onze website: <https://sav.hkoenig.com>.

Door de referentiernaam van uw apparaat in de zoekbalk te typen, krijgt u toegang tot alle beschikbare online hulpmiddelen, ontworpen om aan uw behoeften te voldoen.

Als u toch niet een antwoord op uw vraag kunt vinden, klik dan op "Heeft het antwoord uw probleem opgelost? Hierdoor gaat u naar het Aanvraagformulier voor Klantenondersteuning, dat u in kunt vullen om uw verzoek te valideren en hulp te ontvangen.

## **GARANTIEVOORWAARDEN**

De garantie dekt alle mankementen die voortkomen uit normaal gebruik, volgens de sectie gebruik en specificaties in de gebruikershandleiding.

Deze garantie omvat niet verpakkings- of transportproblemen tijdens het vervoer van het product door de eigenaar. Het omvat ook niet de normale slijtage van het product, noch het onderhoud of vervangen van verbruiksartikelen.

## **UITSLUITINGEN VAN DE GARANTIE**

- Accessoires en verbruiksartikelen (\*).
- Normaal onderhoud van het apparaat.
- Alle mankementen veroorzaakt door verkeerd gebruik (schokken, het niet opvolgen van de aanbevolen stroomvoorziening, in slechte omstandigheden gebruiken, etc.), onvoldoende

onderhoud of ondeugdelijk gebruik van het apparaat, alsook het gebruik van ongeschikte accessoires.

- Schade van buitenaf: vuur, waterschade, elektrische stroompiek, etc.
- Apparaten die uit elkaar zijn gehaald, ook gedeeltelijk, door personen die niet er niet gekwalificeerd voor zijn (zoals de gebruiker).
- Producten waarvan het serienummer verdwenen, beschadigd of onleesbaar is, waardoor we het niet kunnen identificeren.
- Producten die verhuurd werden of ter demonstratie of showmodel waren.

(\*) Sommige onderdelen van uw apparaat, genaamd verbruiksartikelen, slijten naar verloop van tijd en bij veel gebruik van uw apparaat. Deze slijtage is normaal, maar kan verergerd worden door slechte omstandigheden of onderhoud van uw apparaat. Deze onderdelen worden daarom niet gedekt door de garantie.

De accessoires meegeleverd met het apparaat zijn ook uitgesloten van de garantie. Ze kunnen niet vervangen of gerestitueerd worden. Echter, sommige accessoires zijn te koop via onze website: <https://sav.hkoenig.com/>.

## MILIEU



Als een verantwoordelijk bedrijf geven we om het milieu. Daarom vragen we u de procedures te volgen bij de afvoer van dit apparaat en de verpakking. Dit helpt bij het behoud van natuurlijke bronnen en zorgt dat er gerecycled wordt op een manier die de gezondheid en het milieu spaart.

U dient het apparaat en het verpakkingsmateriaal af te voeren volgens de plaatselijke wetgeving.

Omdat het apparaat elektronische onderdelen bevat, dienen het apparaat en de accessoires niet bij het huishoudelijk afval te worden weggegooid als het apparaat het einde van zijn levensduur heeft bereikt.

Neem contact op met uw lokale autoriteiten over het afvoeren en recyclen.

Het apparaat dient naar het inzamelpunt voor recycling te worden gebracht. Sommige inzamelpunten accepteren elektronica zonder kosten te rekenen.

Adeva SAS / H.Koenig Europe - 8 rue Marc Seguin - 77290 Mitry Mory - France  
[www.hkoenig.com](http://www.hkoenig.com) - [sav@hkoenig.com](mailto:sav@hkoenig.com) - [contact@hkoenig.com](mailto:contact@hkoenig.com) - Tél : +33 1 64 67 00 05



# **ESPAÑOL**

## **MEDIDAS DE SEGURIDAD IMPORTANTES**

Al usar su plancha, siempre debe tomar las precauciones básicas de seguridad, dentro de las cuales se incluyen las siguientes:

### **LEER INSTRUCCIONES ANTES DE USAR**

1. Utilice la plancha solo para el uso previsto.
2. Para protegerse contra descargas eléctricas, no sumerja la plancha en agua u otros líquidos.
3. Gire el botón de la plancha a “min”, antes de enchufar o desenchufar del tomacorriente. Nunca tire del cable de alimentación para desconectarlo del tomacorriente, en su lugar, tome el enchufe y tire para desconectarlo.
4. Asegúrese de que el cable de alimentación no entre en contacto con las superficies calientes de la plancha. Deje que la plancha se enfríe completamente antes de guardarla. Cuando la guarde, enrolle el cable sin apretar alrededor de la plancha.
5. Siempre desconecte la plancha del tomacorriente cuando llene el tanque con agua, lo vacíe o cuando no esté en uso.
6. No use la plancha si se ha caído o dañado de alguna manera o si su cable de alimentación está dañado. Nunca desarme la plancha. Diríjase al centro de servicios autorizado más cercano para su inspección y mantenimiento. El montaje incorrecto puede provocar descargas eléctricas cuando se utiliza la plancha.
7. Es necesaria una estrecha supervisión cuando se

usa un electrodoméstico cerca de niños. Nunca deje la plancha desatendida mientras esté conectada o sobre una tabla de planchar.

8. Se pueden producir quemaduras al tocar partes metálicas calientes, agua caliente o vapor. Tome cuidado cuando le dé la vuelta a la plancha de vapor, puede haber agua caliente en el tanque.

9. Si el indicador de mal funcionamiento se enciende, la plancha no está funcionando normalmente. Desconecte de la fuente de alimentación y no intente realizar reparaciones. Póngase en contacto con el personal de servicio calificado para que revise la plancha.

10. Coloque la plancha sobre una superficie firme y estable.

11. La plancha no debe utilizarse si se ha caído, si hay signos evidentes de daños visibles o si tiene fugas.

12. Este aparato puede ser utilizado por personas con capacidades físicas, sensoriales o mentales reducidas o con falta de experiencia o conocimientos, siempre que sean supervisadas o instruidas en el uso seguro del aparato y que entiendan perfectamente los peligros potenciales.

13. Los niños deben ser supervisados para asegurarse de que no jueguen con el aparato.

14. Nunca deje la plancha desatendida mientras esté en funcionamiento.


15. Siempre desconecte la plancha del tomacorriente cuando llene el tanque de agua.

16. Al colocar la plancha sobre su soporte, asegúrese

de que la superficie sobre la que se coloca el soporte sea estable.

17. La plancha no debe utilizarse si se ha caído, si hay signos evidentes de daños visibles o si tiene fugas.

18. Si el cable de alimentación está dañado, deberá ser reemplazado por el fabricante, su agente de servicios técnicos o una persona cualificada, a fin de evitar una situación peligrosa.

19. El símbolo  significa que las superficies pueden calentarse durante el uso.

20. Este aparato podrá ser utilizada por niños de 8 años en adelante siempre que hayan sido debidamente instruidos en el uso del aparato de forma segura y entienden los peligros involucrados.

21. La limpieza y el mantenimiento por parte del usuario no deben ser realizados por niños a menos que tengan al menos 8 años de edad y sean supervisados por un adulto.

22. Mantenga el aparato y su cable de alimentación fuera de alcance de niños menores de 8 años.

23. La plancha no debe utilizarse si se ha caído, si hay signos evidentes de daños visibles o si tiene fugas.

24. Al utilizar equipos eléctricos, siempre se deben tomar precauciones de seguridad para evitar incendios, descargas eléctricas y/o lesiones en caso de mal uso.

Su aparato ha sido diseñado únicamente para uso doméstico. No ha sido diseñado para ser utilizado en las siguientes situaciones que no están cubiertas por la garantía:

- en áreas de cocina para el personal en tiendas, oficinas y otros entornos profesionales,
- en albergues agrícolas,
- en hoteles, moteles y otros entornos residenciales,
- en entornos de tipo bed and breakfast.

## **INSTRUCCIONES ESPECIALES**

1. Para evitar una sobrecarga, no opere otro aparato de alto voltaje en el mismo circuito.
2. Si es absolutamente necesario un cable de extensión, se debe utilizar un cable de 10 amperes. Los cables con menos amperaje pueden sobrecalentarse. Se debe tener cuidado de colocar el cable de manera que no se pueda tirar o tropezar con él.
- 3.

## **GUARDE ESTAS INSTRUCCIONES**

### **En particular:**

**NO** permita que la plancha sea utilizada por niños o personas irresponsables a menos que estén bajo supervisión adulta.

**NUNCA** sumerja la plancha, el cable o el enchufe en agua u otro líquido.

**NO** deje la plancha caliente en contacto con tejidos o superficies inflamables.

**NO** deje la plancha encendida innecesariamente. Retire el enchufe del tomacorriente cuando no esté en uso.

**NO** toque la plancha con las manos mojadas o húmedas.

**NO** tire del cable de alimentación para desconectar el enchufe del tomacorriente.

**NO** deje su plancha expuesta a agentes atmosféricos (lluvia, sol, sereno, etc.).

**NO** deje la plancha desatendida cuando la misma esté encendida.

**NO** llene el tanque con agua antes de quitar el enchufe del tomacorriente.

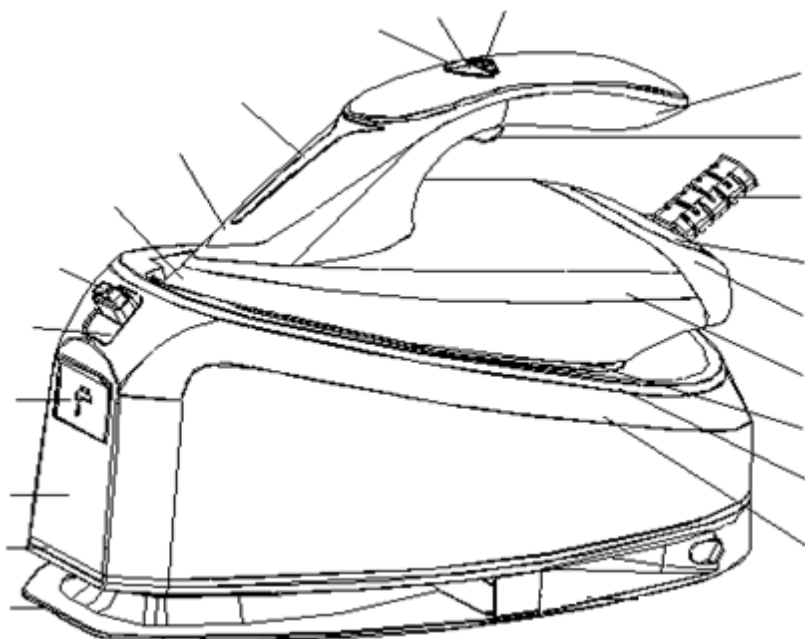
## **¡TENGA EN CUENTA!**

**No utilice aditivos químicos, sustancias perfumadas o descalcificantes. El incumplimiento de la normativa antes mencionada conlleva la pérdida de garantía.**

## **INSTRUCCIONES GENERALES**

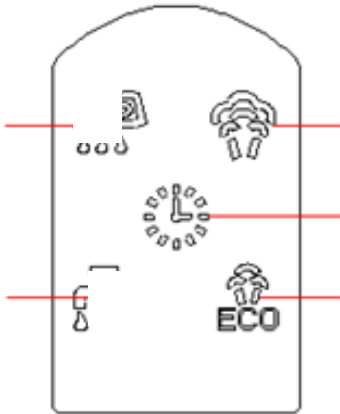
Al usar la plancha por primera vez, es posible que note una ligera emisión de humo y escuche algunos sonidos producidos por los plásticos en expansión. Esto es normal y se detiene al poco tiempo. Es recomendado pasar la plancha sobre un paño normal antes de usarla por primera vez.

## DESCRIPCIÓN DEL PRODUCTO



- |                            |                                |                                |
|----------------------------|--------------------------------|--------------------------------|
| 1. Soporte                 | 2. Base del tanque de agua     | 3. Tanque de agua              |
| 4. Tapa del tanque de agua | 5. Cerrojo de bloqueo          | 6. Interruptor de desbloqueo   |
| 7. Faldón de la plancha    | 8. Cubierta del mango          | 9. Luz indicadora de encendido |
| 10. Interruptor de vapor   | 11. Interruptor de limpieza    | 12. Interruptor de encendido   |
| 13. Mango                  | 14. Botón para chorro de vapor | 15. Protector del cable        |
| 16. Cordón giratorio       | 17. Cubierta trasera           | 18. Cuerpo                     |
| 19. Suela calefactora      | 20. Placa de acero             | 21. Cubierta del radiador      |
| 22. Línea                  |                                |                                |

## CE



1. Necesita limpieza
2. No hay agua en el tanque
3. Grande cantidad de vapor de agua
4. Falla de energía
5. Vapor que ahorra energía

## ANTES DEL PRIMER USO

1. Algunas partes de la plancha se han engrasado ligeramente, por lo que la plancha podría desprender humo cuando se enchufa por primera vez. Esto cesará después de un tiempo.
2. Antes de usar la plancha por primera vez, retire el protector de plástico de la base (si lo tiene) y limpie la base con un paño suave.
3. No pase la plancha sobre objetos metálicos (como la tabla de planchar, botones, cremalleras, etc.)
4. Las fibras de lana pura (100% lana) se pueden planchar en la función de vapor. De preferencia, seleccione una posición de vapor alto y luego utilice el planchado seco.

## TEMPERATURA CONSTANTE

1. Consulte las instrucciones de planchado de la prenda a planchar.
2. Control de temperatura electrónico, no es necesario ajustar la temperatura manualmente.

## CÓMO LLENAR EL TANQUE DE AGUA

1. Desconecte la plancha de la fuente de alimentación.
2. Abra la tapa del tanque de agua.
3. Llene el tanque de agua hasta el nivel MAX y cierre la tapa.
4. Es aconsejable utilizar solo agua destilada o desmineralizada.

**No utilice agua químicamente descalcificada o perfumada.**

## **PLANCHADO AL VAPOR**

1. Llene el tanque de agua siguiendo las instrucciones del apartado “Cómo llenar el tanque de agua”.
2. Enchufe la plancha al tomacorriente.
3. El planchado al vapor solo es posible cuando el calentamiento está completo, de lo contrario, el agua puede escapar a través de la suela calefactora.
4. Espere hasta que el indicador deje de parpadear indicando que la placa se ha calentado.
5. Pulse el interruptor de vapor para realizar el planchado.
6. Cuando finalice el planchado, coloque la plancha en posición vertical o en la base.
7. Desconecte la plancha del tomacorriente. Vierta el agua restante y deje que la plancha se enfríe totalmente.

## **VAPOR CONSTANTE**

1. Cuando se completa el calentamiento, la temperatura se estabiliza.
2. Pulse el interruptor de vapor, seleccione grande cantidad de vapor de agua y vapor ECO al mismo tiempo. Estas opciones se pueden cambiar en cualquier momento.

## **CHORRO DE VAPOR MOMENTÁNEO**

1. Cuando se completa el calentamiento, la temperatura se estabiliza.
2. Presione el vapor en dos segundos rápidamente y el vapor comenzará, mientras que el indicador parpadeará durante 2 segundos.



## **LIMPIEZA**

1. Asegúrese de que haya suficiente agua en el tanque antes de limpiar.
2. Cuando la bomba funciona por un período de 25 horas, solicitará la limpieza.
3. Ponga la plancha en una posición segura antes de limpiar para evitar que las personas se lastimen con agua caliente durante la limpieza.
4. Una vez que se completa el calentamiento, mantenga presionado el interruptor de limpieza durante 3 segundos y la plancha ingresará en el modo de limpieza. La pantalla parpadeará acompañada de 3 zumbidos.
5. Aproximadamente 2 minutos después, el timbre ya sonó las 3 veces, lo que indica que la limpieza se completó.

### **APAGADO AUTOMÁTICO**

1. Cuando la plancha está parada más de 10 minutos, sale del modo de energía.
2. La señal de apagado parpadeará en la pantalla acompañada de 6 zumbidos.
3. Presione el interruptor de vapor para restaurar la energía.
4. La plancha no se apagará durante la descarga de vapor.

### **ANTIGOTEO**

Esta plancha está equipada con una función antigoteo: Deja de vaporizar automáticamente cuando la temperatura es demasiado baja para evitar que el agua gotee por la suela calefactora.

### **DETECCIÓN ANHIDRA**

Durante el funcionamiento, si no hay agua en el tanque de agua, la bomba dejará de funcionar automáticamente para proteger su vida útil.

### **DEFECTOS Y REPARACIONES**

No intente reemplazar un cable de alimentación defectuoso. Devuelva la plancha a un centro de servicios autorizado para su reparación.

## SOLUCIÓN DE PROBLEMAS

Problema	Solución
La plancha emite olor o humo.	La plancha desprende olor y humo cuando se enciende por primera vez. Los aceites usados durante la fabricación deben quemarse, espere diez minutos para que desaparezca.
La plancha no calienta	La plancha debe estar enchufada a 230V y el interruptor encendido.
No hay vapor	El tanque de agua puede estar vacío. Gire la válvula de vapor a "0" y agregue agua. Deje que la plancha se caliente y luego ajuste el dial de vapor a la posición de vapor. Revise el apartado <b>“Cómo llenar el tanque de agua”</b> .
La plancha tiene fugas	El dial de vapor variable debe estar en "0". El ajuste de temperatura es demasiado bajo para producir vapor. Demasiado uso de la función chorro de vapor momentáneo, deje que la plancha se recaliente.

## GARANTÍA

El periodo de garantía de nuestros productos es de 2 años, salvo que la ley estipule lo contrario, a partir de la fecha de la compra inicial o de la fecha de entrega.

Si tiene algún problema o pregunta, puede acceder fácilmente a nuestras páginas de ayuda, consejos para solucionar problemas, preguntas frecuentes y manuales de usuario en nuestro sitio de servicio: <https://sav.hkoenig.com>.

Al escribir el nombre de referencia de su dispositivo en la barra de búsqueda, puede acceder a toda la asistencia en línea disponible, diseñada para satisfacer mejor sus necesidades.

Si sigue sin encontrar una respuesta a su pregunta o problema, haga clic en "¿La respuesta ha resuelto su problema? Esto le llevará al formulario de solicitud de asistencia posventa, que puede rellenar para validar su solicitud y obtener ayuda.

## CONDICIONES DE GARANTÍA

La garantía cubre todos los fallos que se produzcan en el contexto de un uso normal, de acuerdo con los usos y especificaciones del manual de usuario.

Esta garantía no se aplica a los problemas de embalaje o transporte durante el envío del producto por parte del propietario. Tampoco incluye el desgaste normal del producto, ni el mantenimiento o la sustitución de piezas consumibles.

## EXCLUSIÓN DE GARANTÍA

- Accesorios y piezas de desgaste (\*).
- Mantenimiento normal del aparato.
- Todas las averías derivadas de un uso incorrecto (golpes, incumplimiento de las recomendaciones de alimentación eléctrica, malas condiciones de uso, etc.), de un

mantenimiento insuficiente o de un mal uso del aparato, así como del uso de accesorios inadecuados.

- Daños de origen externo: incendio, daños por agua, sobrecarga eléctrica, etc.
- Cualquier equipo que haya sido desmontado, incluso parcialmente, por personas que no estén autorizadas a hacerlo (en particular el usuario).
- Productos cuyo número de serie falte, esté dañado o sea ilegible, lo que no permitiría su identificación.
- Productos sujetos a alquiler, demostración o exposición.

(\*) Algunas piezas de su aparato, conocidas como piezas de desgaste o consumibles, se deterioran con el tiempo y la frecuencia de uso de su aparato. Este desgaste es normal, pero puede acentuarse por las malas condiciones de uso o de mantenimiento de su aparato. Por lo tanto, estas piezas no están cubiertas por la garantía.

Los accesorios suministrados con el aparato también están excluidos de la garantía. No se pueden cambiar ni reembolsar. No obstante, algunos accesorios pueden adquirirse directamente en nuestro sitio web: <https://sav.hkoenig.com/>

## MEDIO AMBIENTE



Como revendedor y distribuidor responsable, nos preocupamos con el medio ambiente. Por eso le recomendamos que siga el procedimiento correcto para descartar y reciclar su parrilla de racletas y los materiales de embalaje. De esta forma estará ayudando a conservar los recursos naturales y garantizará que su aparato sea reciclado por vías seguras que protegen la salud y el medio ambiente.

Debe desechar este aparato y su embalaje de acuerdo con las leyes y normativas locales.

Este aparato contiene componentes electrónicos, por esta razón, tanto la parrilla como sus accesorios se deben desechar por separado al final de su vida útil. No lo descarte junto con la basura doméstica común.

Póngase en contacto con las autoridades locales para que se informe sobre la eliminación y reciclaje de electrodomésticos.

Debe llevar el aparato para el punto de recogida y reciclaje autorizado de su localidad. Algunos de estos puntos reciben los electrodomésticos de forma gratuita.

Adeva SAS / H.Koenig Europe - 8 rue Marc Seguin - 77290 Mitry Mory - France  
www.hkoenig.com - sav@hkoenig.com - contact@hkoenig.com - Tél : +33 1 64 67 00 05

# ITALIANO

## **IMPORTANTI ISTRUZIONI DI SICUREZZA**

Quando si utilizza il ferro da stiro, è necessario seguire sempre alcune precauzioni di sicurezza di base, comprese le seguenti:

### **LEGGERE TUTTE LE ISTRUZIONI PRIMA DELL'USO**

1. Utilizzare il ferro solo per l'uso previsto.
2. Per proteggersi dal rischio di scosse elettriche, non immergere il ferro in acqua o altri liquidi.
3. Girare sempre il ferro su “min” prima di collegarlo o scollegarlo dalla presa. Non tirare mai il cavo per scollegare la presa; afferrare la spina e tirare per scollegarla.
4. Evitare che il cavo tocchi superfici calde. Lascia raffreddare completamente il ferro prima di riporlo. Avvolgere il cavo senza stringere intorno al ferro quando lo si ripone.
5. Scollegare sempre il ferro dalla presa elettrica durante il riempimento acqua o lo svuotamento e quando non viene utilizzato.
6. Non utilizzare il ferro d stiro se ha il cavo danneggiato o se è caduto. Per evitare il rischio di scosse elettriche, non smontare il ferro da stiro. Rivolgersi ad un tecnico qualificato per l'esame e la riparazione. Un riassettaggio errato può causare il rischio di scosse elettriche quando si utilizza il ferro da stiro.
7. È necessaria un'attenta supervisione per qualsiasi apparecchio utilizzato da o vicino a bambini. Non lasciare il ferro da stiro incustodito mentre è collegato o

su un asse da stiro.

8. Possono verificarsi ustioni toccando parti metalliche calde, acqua calda o vapore. Prestare attenzione quando si capovolge un ferro da stiro a vapore: potrebbe esserci acqua calda nel serbatoio.

9. Se l'indicatore di malfunzionamento si accende, il ferro da stiro non funziona normalmente. Scollegare dall'alimentazione e far riparare il ferro da stiro da personale qualificato.

10. Il ferro deve essere utilizzato e appoggiato su una superficie stabile.

11. Il ferro non deve essere utilizzato se è caduto, se sono presenti segni visibili di danneggiamento o se perde acqua.

12. Questo apparecchio può essere usato da persone con ridotte capacità fisiche, sensoriali o mentali o con mancanza di esperienza o conoscenza, a condizione che siano sorvegliate o istruite sull'uso sicuro dell'apparecchio e che comprendano pienamente i potenziali pericoli.

13. I bambini devono essere sorvegliati per assicurarsi che non giochino con l'apparecchio.

14. Il ferro da stiro non deve essere lasciato incustodito mentre è collegato all'alimentazione;

15. Il ferro da stir deve essere scollegato dalla presa prima che il serbatoio dell'acqua sia riempito d'acqua;

16. Quando si posiziona il ferro sul suo supporto, assicurarsi che la superficie su cui è posizionato il supporto sia stabile;

17. Il ferro non deve essere utilizzato se è caduto, se

sono presenti segni visibili di danneggiamento o se perde acqua.

18. Se il cavo di alimentazione è danneggiato, deve essere sostituito dal produttore. Da un suo agente di servizio o persone qualificate allo stesso modo al fine di evitare rischi.

19. Il simbolo "  " Significa che le superfici possono surriscaldarsi durante l'uso

20. Questo apparecchio può essere utilizzato da bambini di almeno 8 anni di età, purché siano sorvegliati e abbiano ricevuto istruzioni sull'uso sicuro dell'apparecchio. e sono pienamente consapevoli dei pericoli connessi.

21. La pulizia e la manutenzione non devono essere eseguite da bambini a meno che non abbiano almeno 8 anni di età e siano sorvegliati da un adulto.

22. Tenere l'apparecchio e il cavo di alimentazione fuori dalla portata dei bambini di età inferiore ad 8 anni.

23. Il dispositivo non deve essere utilizzato se è caduto, se sono visibili segni evidenti di danneggiamento o se presenta perdite d'acqua.

24. Quando si utilizzano apparecchiature elettriche, è necessario seguire sempre precauzioni di sicurezza per prevenire il rischio di incendi, scosse elettriche e/o lesioni in caso di uso improprio.

Il vostro apparecchio è stato progettato esclusivamente per un uso domestico. Non è destinato all'uso nelle seguenti situazioni che non sono coperte dalla garanzia:

- in cucine per il personale in negozi, uffici e altri ambienti professionali,

- in ostelli agricoli,
- da ospiti in hotel, motel e altri ambienti residenziali,
- in ambienti tipo bed and breakfast.

## **ISTRUZIONI SPECIALI**

1. Per evitare un sovraccarico del circuito, non utilizzare un altro apparecchio ad alta potenza sullo stesso circuito.

2. Se è assolutamente necessaria una prolunga, utilizzare un cavo da 10 ampere. I cavi con un amperaggio inferiore possono surriscaldarsi. Fare attenzione a disporre il cavo in modo che non possa essere tirato o causare inciampo.

## **CONSERVARE QUESTE ISTRUZIONI**

### **Più specificamente:**

**NON** lasciare che bambini o persone non esperte utilizzino l'apparecchio senza supervisione.

**MAI** immergere il ferro, il cavo o la spina in qualsiasi liquido.

**NON** lasciare il ferro caldo a contatto con tessuti o superfici molto infiammabili.

**NON** lasciare l'apparecchio inutilmente collegato. Scollegare la spina dalla rete quando l'apparecchio non viene utilizzato.

**MAI** toccare l'apparecchio con mani bagnate o umide.

**NON** tirare il cavo di alimentazione o l'apparecchio per staccare la spina dalla presa.

**NON** lasciare l'apparecchio esposto alle intemperie (pioggia, sole, ecc.).

**NON** lasciare il ferro da stiro incustodito quando è collegato alla rete elettrica.

**NON** riempire d'acqua il serbatoio prima di rimuovere la spina dalla presa.

## **ATTENZIONE!**

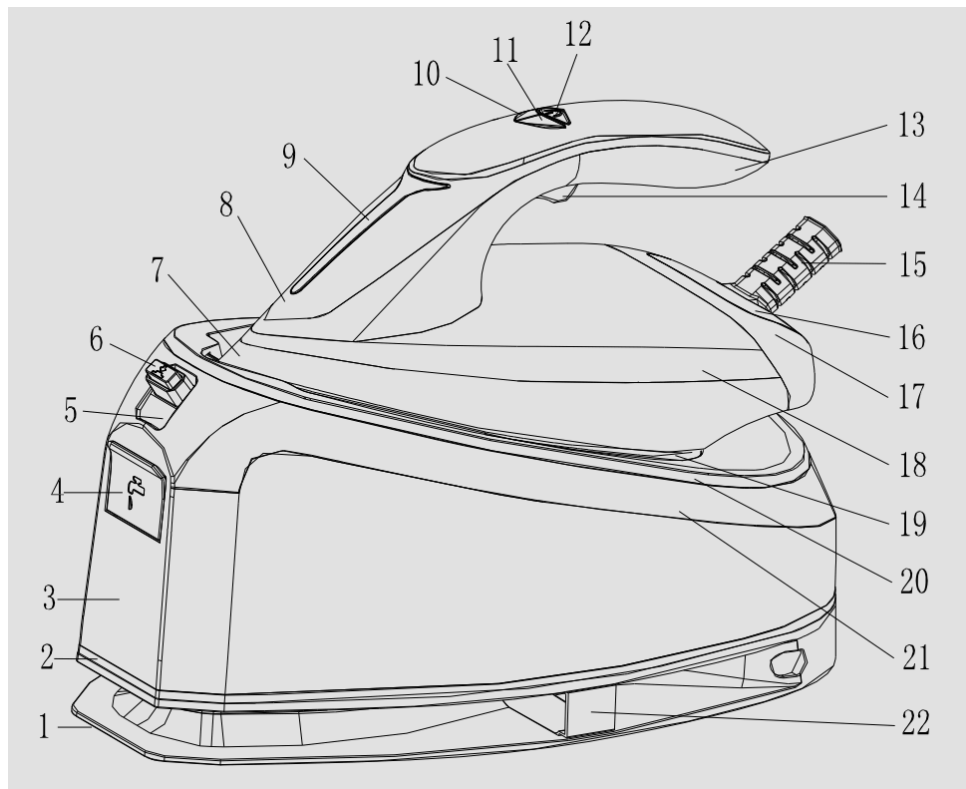
**Non utilizzare additivi chimici, sostanze profumate o decalcificanti. Il mancato rispetto delle suddette normative comporta la decadenza della garanzia.**



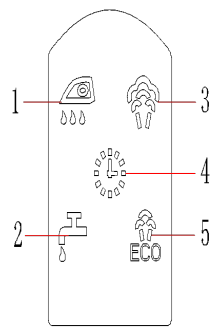
## DESCRIZIONE DELL'APPARECCHIO

### ISTRUZIONI GENERALI

Quando si utilizza il ferro da stiro per la prima volta, è possibile notare una leggera emissione di fumo e sentire alcuni rumori prodotti dalla plastica in espansione. Questo è abbastanza normale e si interrompe dopo poco tempo. Si consiglia inoltre di passare il ferro su un normale panno prima di utilizzarlo per la prima volta.



- 1 Base
- 2 Base serbatoio
- 3 Serbatoio
- 4 Tappo serbatoio
- 5 Blocco
- 6 Pulsante di sblocco
- 7 Base ferro da stiro
- 8 Livello
- 9 Spia
- 10 Manopola vapore
- 11 Manopola pulizia
- 12 Manopola principale
- 13 Maniglia
- 14 Pulsante vapore
- 15 Isolante cavo
- 16 Rivestimento
- 17 Copertura posterior
- 18 Corpo
- 19 Riscaldatore
- 20 Piastra esterna
- 21 Copertura radiator
- 22 Fermo



1. Opzioni pulizia
2. Aggiungere acqua al serbatoio.
3. Massimo vapore
4. Richiesta automatica di interruzione di corrente
5. Vapore a risparmio energetico

### Suggerimenti prima di utilizzare il ferro per la prima volta

1. Alcune parti del ferro sono state leggermente unte, pertanto il ferro potrebbe emettere un pò di fumo quando viene collegato per la prima volta. Ciò cesserà dopo un breve periodo.
2. Prima di utilizzare il ferro per la prima volta, rimuovere la protezione in plastica dalla base (se presente) pulire la base con un panno morbido.
3. Mantenere la base delicatamente sulle superfici. Non farlo passare su oggetti metallici (come contro l'asse da stiro, bottoni, cerniere, ecc.)
4. Le fibre di pura lana (100% lana) possono essere stirate con l'apparecchio in modalità vapore. Preferibilmente, selezionare una opzione vapore alto e utilizzare un panno da stiro asciutto.

### Temperatura costante

1. Controllare le istruzioni per la stiratura sull'indumento da stirare.
2. Con il controllo elettronico della temperatura, non è necessario regolare manualmente la temperatura

### Come riempire il serbatoio dell'acqua.

1. Scollegare l'alimentazione del ferro da stiro
  2. Aprire il tappo dell'acqua
  3. Riempire il serbatoio dell'acqua fino al livello dell'acqua MAX e chiudere il tappo
  4. In caso di acqua dura, si consiglia di utilizzare solo acqua distillata o demineralizzata.
- non utilizzare acqua decalcificata chimicamente o profumata

### Stiratura a vapore

1. Riempite il ferro come descritto nella sezione “come riempire il serbatoio dell'acqua”.
2. Collegare il ferro alla presa di corrente.
3. La stiratura a vapore è possibile solo quando il riscaldamento è completo, altrimenti l'acqua potrebbe fuoriuscire dalla piastra.
4. Attendere finché l'indicatore non lampeggia a dimostrazione che la piastra inferiore è stata riscaldata.
5. Premere l'interruttore del vapore per eseguire la stiratura a vapore.
6. Al termine dell'utilizzo, posizionare il ferro in posizione verticale o sulla base
7. Scollegare il ferro dalla rete elettrica. Svuotare l'eventuale acqua rimasta e lasciare raffreddare il ferro.

### **Vapore continuo**

1. Riscaldamento completato, temperatura stabilizzata
3. Avviare l'interruttore del vapore, può scegliere contemporaneamente l'opzione vapore alto o vapore ECO, le due opzioni possono essere cambiate in qualsiasi momento

### **Pulsante colpo di Vapore**

- Quando il riscaldamento è completato, la temperatura è stabile.
- Premere rapidamente il pulsante e il vapore inizierà a esplodere in due secondi, mentre la spia lampeggerà per 2 secondi.

## **Pulizia**

1. Assicurarsi che ci sia abbastanza acqua nel serbatoio prima di pulirlo
2. Quando la pompa avrà funzionato per 25 ore, sarà necessaria la pulizia del prodotto.
3. Si prega di mettere il ferro in una posizione sicura prima della pulizia per evitare che le persone vengano ferite dall'acqua calda durante la pulizia
4. Dopo che il riscaldamento è completo, premere a lungo l'interruttore di pulizia per 3 secondi e il ferro entra in modalità di pulizia. Il display sullo schermo lampeggia e si accompagna ad un suono.
5. Due minuti dopo, verrà emesso un allarme sonoro, per indicare che la pulizia è completa.

### **Spegnimento automatico**

1. Quando il ferro è fermo per più di 10 minuti, esce dalla modalità di alimentazione
2. Il segnale di spegnimento lampeggia sul display, accompagnato da sei segnali acustici
3. Premere l'interruttore del vapore per ripristinare l'alimentazione
4. Il ferro da stiro non verrà scollegato durante lo scarico del vapore

### **Anti gocciolamento**

Questo ferro è dotato di una funzione antigoccia: il ferro smette automaticamente di vaporizzare quando la temperatura è troppo bassa per evitare che l'acqua goccioli dalla piastra.

### **Rilevazione acqua**

Durante il funzionamento, se non c'è acqua nel serbatoio dell'acqua, la pompa smetterà automaticamente di funzionare per proteggere la vita della pompa

## **Difetti e riparazioni**

Non tentare di sostituire un cavo di alimentazione difettoso. L'apparecchio deve essere consegnato a un centro di assistenza autorizzato per la riparazione.

## **Cause di errore e soluzioni**

### **Il ferro emette odore o fumo**

Il ferro emana un odore quando viene acceso per la prima volta. Gli oli utilizzati durante la produzione devono essere bruciati per dieci minuti affinché l'odore scompaia.

### **Il ferro non riscalda**

Il ferro deve essere collegato a una presa da 230 Volt, indipendentemente dal fatto che l'interruttore di alimentazione sia acceso

### **Il ferro non emette vapore**

Il serbatoio dell'acqua è vuoto. Ruotare la valvola del vapore su "0" e aggiungere acqua. Lasciar riscaldare il ferro, quindi impostare la manopola del vapore sull'impostazione del vapore.

"Come riempire il serbatoio dell'acqua".

### **Il ferro perde**

La manopola vapore deve essere impostata su "0", finché il ferro non è caldo. L'impostazione della temperatura è troppo bassa per produrre vapore. Colpo di vapore utilizzato troppo spesso, lasciare che il ferro si riscaldi nuovamente.

# **GARANZIA**

Il periodo di garanzia per i nostri prodotti è di 2 anni, se non diversamente stabilito dalla legge, a partire dalla data di acquisto iniziale o di consegna.

Se avete problemi o domande, potete facilmente accedere alle nostre pagine di aiuto, consigli per la risoluzione dei problemi, FAQ e manuali d'uso sul nostro sito post-vendita: <https://sav.hkoenig.com>.

Digitando il nome di riferimento del tuo dispositivo nella barra di ricerca, puoi accedere a tutto il supporto online disponibile, progettato per soddisfare al meglio le tue esigenze.

Se ancora non riesci a trovare una risposta alla tua domanda o al tuo problema, allora clicca su "La risposta ha risolto il tuo problema? Questo vi porterà al modulo di richiesta di supporto post-vendita, che potete completare per convalidare la vostra richiesta e ottenere aiuto.

## **CONDIZIONI DI GARANZIA**

La garanzia copre tutti i guasti derivanti da un uso normale, in conformità con gli usi e le specifiche del manuale utente.

Questa garanzia non si applica a problemi di imballaggio o di trasporto durante la spedizione del prodotto da parte del proprietario. Non include inoltre la normale usura del prodotto, né la manutenzione o la sostituzione delle parti di consumo.

## **ESCLUSIONE DELLA GARANZIA**

- Accessori e parti soggette a usura (\*).
- Normale manutenzione dell'apparecchio.
- Tutti i guasti derivanti da un uso improprio (urti, mancato rispetto delle raccomandazioni sull'alimentazione, cattive condizioni d'uso, ecc.), da una manutenzione inadeguata o da un uso improprio dell'apparecchio, nonché dall'uso di accessori inadeguati.

- Danni di origine esterna: incendio, danni d'acqua, sovratensione elettrica, ecc.
- Qualsiasi attrezzatura che sia stata smontata, anche parzialmente, da persone diverse da quelle autorizzate a farlo (in particolare l'utente).
- Prodotti per i quali il numero di serie è mancante, danneggiato o illeggibile, il che non permetterebbe la sua identificazione.
- Prodotti soggetti a noleggio, dimostrazione o esposizione.

(\*) Alcune parti del suo apparecchio, note come parti soggette a usura o materiali di consumo, si deteriorano con il tempo e la frequenza d'uso del suo apparecchio. Questa usura è normale, ma può essere accentuata da cattive condizioni d'uso o di manutenzione del vostro apparecchio. Queste parti non sono quindi coperte dalla garanzia.

Anche gli accessori forniti con l'apparecchio sono esclusi dalla garanzia. Non possono essere scambiati o rimborsati. Tuttavia, alcuni accessori possono essere acquistati direttamente dal nostro sito web: <https://sav.hkoenig.com/>.

## AMBIANTE



In qualità di rivenditori responsabili, abbiamo a cuore l'ambiente. Pertanto, ti invitiamo a seguire la corretta procedura di smaltimento dell'apparecchiatura e dei materiali di imballaggio. Ciò contribuirà a conservare le risorse naturali e garantirà che l'apparecchio venga riciclato in modo da proteggere la salute di tutti e l'ambiente.

È necessario smaltire questo apparecchio e il suo imballaggio secondo le leggi e le normative locali.

Poiché questo apparecchio contiene componenti elettronici, l'apparecchio e i suoi accessori devono essere smaltiti separatamente dai rifiuti domestici quando l'apparecchio raggiunge la fine della sua vita utile.

Contattare l'autorità locale per informazioni su smaltimento e riciclaggio.

L'apparecchio deve essere portato al punto di raccolta locale per il riciclaggio. Alcuni punti di raccolta accettano l'apparecchio gratuitamente.

Adeva SAS / H.Koenig Europe - 8 rue Marc Seguin - 77290 Mitry Mory - France  
[www.hkoenig.com](http://www.hkoenig.com) - [sav@hkoenig.com](mailto:sav@hkoenig.com) - [contact@hkoenig.com](mailto:contact@hkoenig.com) - Tél : +33 1 64 67 00 05

# **PORTUGUÊS**

## **INSTRUÇÕES DE SEGURANÇA IMPORTANTES**

Ao utilizar o seu ferro de engomar, devem ser sempre seguidas as precauções básicas de segurança, incluindo as seguintes:

### **LEIA TODAS AS INSTRUÇÕES ANTES DE UTILIZAR**

1. Utilizar o ferro para o fim a que se destina.
2. Para se proteger contra um risco de choque elétrico, não imergir o ferro em água ou outros líquidos.
3. O ferro deve estar sempre na posição “min” antes de ligá-lo ou desligá-lo da tomada. Nunca puxe pelo cabo para desligar o ferro da tomada; em vez disso, segure na ficha e puxe-a para desligar.
4. Não permita que o cabo toque em superfícies quentes. Deixe o ferro arrefecer completamente antes de o guardar. Enrole o cabo à volta do ferro, de forma a ficar solto, quando pretender guardá-lo.
5. Desligar sempre o ferro da tomada elétrica quando pretender enchê-lo com água ou vazá-lo e quando não estiver a ser utilizado.
6. Não ponha o ferro a funcionar com o cabo danificado ou se o ferro tiver caído ou sido danificado. Para evitar o risco de choque elétrico, não desmonte o ferro. Leve-o a um técnico qualificado para exame e reparação. A remontagem incorreta pode causar risco de choque elétrico quando o ferro for utilizado.
7. É necessária uma supervisão apertada para qualquer aparelho que esteja a ser utilizado por ou perto de crianças. Não deixar o ferro sem vigilância enquanto

estiver ligado ou numa tábua de engomar.

8. Podem ocorrer queimaduras no contato com peças metálicas quentes, água quente ou vapor. Tenha cuidado quando virar o ferro de engomar ao contrário - pode haver água quente no reservatório.

9. Se o indicador de mau funcionamento acender, o ferro de engomar não está a funcionar normalmente. Desligue-o da fonte de alimentação e mande fazer a manutenção do ferro de engomar através de pessoal de serviço qualificado.

10. O ferro deve ser utilizado e pousado sobre uma superfície estável.

11. O ferro não deve ser utilizado se tiver caído, se existirem sinais visíveis de danos ou se estiver a vazar.

12. Este aparelho pode ser utilizado por pessoas com capacidades físicas, sensoriais ou mentais reduzidas ou com falta de experiência ou conhecimento, desde que sejam supervisionadas ou instruídas sobre a utilização segura do aparelho e que compreendam plenamente os potenciais perigos.

13. As crianças devem ser supervisionadas para garantir que não brincam como o aparelho.

14. O ferro não deve ser deixado sem vigilância enquanto estiver ligado à rede de alimentação;


15. A ficha deve ser retirada da tomada antes de encher o reservatório com água;

16. Ao colocar o ferro no seu suporte, certifique-se de que a superfície sobre a qual o suporte é colocado é estável;

17. O ferro não deve ser utilizado se tiver caído, se

existirem sinais visíveis de danos ou se estiver a vazar.

18. Se o cabo de alimentação estiver danificado, deve ser substituído pelo fabricante, pelo seu agente de serviço ou pessoas com qualificações semelhantes, a fim de evitar o perigo.

19. O símbolo “  ” significa que as superfícies são suscetíveis de aquecer durante a utilização.

20. Este aparelho pode ser utilizado por crianças de pelo menos 8 anos de idade, desde que sejam supervisionadas e tenham recebido instruções sobre a utilização segura do aparelho e estão plenamente conscientes dos perigos envolvidos.

21. A limpeza e manutenção não deve ser efectuada por crianças, a menos que tenham pelo menos 8 anos de idade e sejam supervisionadas por um adulto.

22. Manter o aparelho e o seu cabo de alimentação fora do alcance de crianças com menos de 8 anos de idade.

23. O aparelho não deve ser utilizado se tiver caído, se existirem sinais visíveis de danos ou se tiver fugas de água.

24. Ao utilizar equipamento elétrico, devem ser sempre tomadas precauções de segurança para evitar o risco de incêndio, choque elétrico e/ou ferimentos em caso de má utilização.

O seu aparelho foi concebido apenas para utilizações domésticas. Não se destina a ser utilizado nas seguintes situações que não estão cobertas pela garantia:



- em áreas de cozinha reservadas a funcionários de estabelecimentos, escritórios e outros ambientes profissionais;
- em pousadas agrícolas;
- por hóspedes em hotéis, motéis e outros ambientes residenciais;
- em ambientes do tipo cama e pequeno-almoço.

## **INSTRUÇÕES ESPECIAIS**

1. Para evitar uma sobrecarga do circuito, não coloque a funcionar outro aparelho de alta voltagem no mesmo circuito.
2. Se for absolutamente necessário um cabo de extensão, deve ser utilizado um cabo de 10 amperes. Os cabos classificados para menos amperagem podem sobreaquecer. Deve-se ter o cuidado de dispor o cabo de modo a que não possa ser puxado ou tropeçado.

## **GUARDAR ESTAS INSTRUÇÕES**

### **Mais especificamente:**

**NÃO** deixar que crianças ou pessoas não treinadas utilizem o aparelho sem supervisão.

**NUNCA** imergir o ferro, cabo ou ficha em qualquer líquido.

**NÃO** deixar o ferro quente tocar em tecidos ou superfícies muito inflamáveis.

**NÃO** deixar o aparelho desnecessariamente ligado à corrente. Desligue a ficha da corrente quando o

aparelho não estiver a ser utilizado.

**NUNCA** tocar no aparelho com as mãos molhadas ou húmidas.

**NÃO** utilizar o cabo de alimentação ou o aparelho para puxar a ficha para fora da tomada.

**NÃO** deixe o aparelho exposto às intempéries (chuva, sol, etc.).

**NÃO** deixar o ferro sem supervisão quando este estiver ligado à alimentação elétrica.

**NÃO** encher o reservatório com água antes de retirar a ficha da tomada.

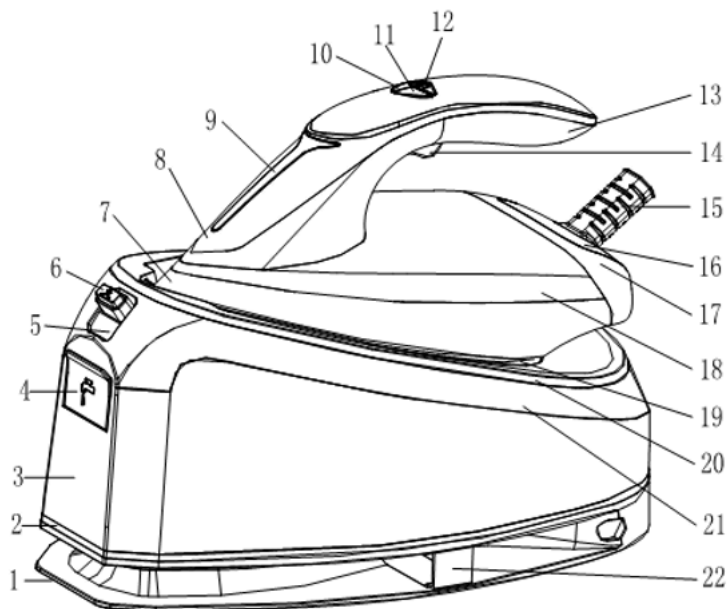
### **POR FAVOR, NOTE!**

**Não utilize aditivos químicos, substâncias perfumadas ou descalcificantes. O não cumprimento dos regulamentos acima mencionados leva à perda da garantia**

## DESCRIÇÃO DO APARELHO

### INSTRUÇÕES GERAIS

Ao utilizar o ferro pela primeira vez, poderá notar uma ligeira emissão de fumo e ouvir alguns sons feitos pelos plásticos em expansão. Isto é bastante normal e pára após um curto período de tempo. Também recomendamos a passagem do ferro sobre um pano comum antes de o utilizar pela primeira vez.



1. Base

2. Base do tanque

3. Tanque

4. Boné

5. Fechadura

6. Desbloqueio

7. Flange

8. Ferro de engomar

9. Luz indicadora

10. Vapor

11. Limpeza

12. Troca 1

3. Manusear

14. Controlo do vapor

15. Cordão

16. Ligaçãõ

17. Capa

18. Shell

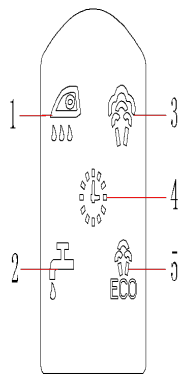
19. Linguado

20. Placa facial

21. Central

22. Ranhura do cabo

CE



1. Dicas para limpeza
2. Não existe água no depósito.
3. Engrenagem de muito vapor
4. Falha automática de energia pontual
5. Vapor economizador de energia

### Sugestões antes de utilizar o ferro pela primeira vez

1. Certas partes do ferro foram ligeiramente lubrificadas, pelo que o ferro poderá emitir um pouco de fumo quando for ligado à corrente pela primeira vez. Isto cessará após um curto período de tempo.
2. Antes de utilizar o ferro pela primeira vez, remover o protetor plástico da base (se tiver) e limpar a base com um pano macio.
3. Manter a base do ferro muito lisa. Não passe sobre objetos metálicos (tais como contra a tábua de engomar, botões, fechos de correr, etc.).
4. As fibras de lã pura (100% lã) podem ser engomadas com o aparelho na posição de vapor, de preferência, seleccionar uma posição de vapor elevado e utilizar um pano de engomar a seco.

### Temperatura estável/constante

1. Verifique as instruções de engomar na peça de roupa a ser engomada.
2. Controlo eletrónico da temperatura, não necessita de ajustar manualmente a temperatura.

### Como encher o depósito de água.

1. Desligar a fonte de alimentação do ferro
2. Abrir a tampa da água
3. Encher o depósito de água até ao nível MAX e fechar a tampa
4. Se a sua água corrente for muito calcária, é aconselhável utilizar apenas água destilada ou desmineralizada.

- **não use água quimicamente descalcificada ou perfumada**

### Engomar a vapor

1. Encha o ferro como descrito na secção "**como encher o depósito de água**".
2. Ligar o ferro à tomada.
3. Engomar a vapor só é possível quando o aquecimento estiver concluído. Caso contrário, a água pode sair pela base.
4. Aguarde até que o indicador não pisque para comprovar que a placa inferior foi aquecida.
5. Pressione o botão Vapor (Steam) para engomar a vapor.
6. Quando terminar de engomar, coloque o ferro na posição vertical ou na base quando o

ferro for interrompido.

7. Desligue o ferro da rede de alimentação. Remova qualquer água restante e deixe o ferro arrefecer.

### **Vapor Contínuo**

1. Quando o aquecimento estiver concluído, a temperatura é estável
2. Iniciar o interruptor de vapor, pode escolher Muito Vapor ou Vapor ECO ao mesmo tempo, os dois postos podem ser comutados a qualquer momento

### **Vapor de explosão**

- Quando o aquecimento estiver concluído, a temperatura é estável.
- Pressione o vapor durante dois segundos rapidamente, e o vapor começará a explodir em dois segundos, enquanto piscar durante os 2 segundos.

## **Limpeza**

1. Por favor, certifique-se de que há água suficiente no depósito antes de o limpar.
2. Quando a bomba funcionar durante 25 horas, irá solicitar que o aparelho seja limpo.
3. Por favor, coloque o ferro numa posição segura antes da limpeza para evitar que as pessoas sejam feridas pela água quente durante a limpeza.
4. Após o aquecimento estar completo, pressione e segure o botão de limpeza durante 3 segundos e o ferro entra no modo de limpeza. A visualização no ecrã pisca e é acompanhada com três zumbidos.
5. Dois minutos mais tarde, a campainha toca três vezes, indicando que a limpeza está concluída.

### **Desligar automático**

1. Quando o ferro está parado durante mais de 10 minutos, o ferro sai do modo de alimentação/energia.
2. O sinal de desligado pisca no visor, acompanhado de seis zumbidos.
3. Pressione o interruptor do vapor para restaurar a energia.
4. O ferro não será desligado durante a descarga de vapor.

### **Anti gotejamento**

Este ferro está equipado com uma função de paragem do gotejamento: o ferro deixa automaticamente de emitir vapor quando a temperatura é demasiado baixa para evitar que a água goteje para fora da base.

## **Deteção de anidrido**

No decurso do trabalho, se não houver água no depósito de água, a bomba pára automaticamente de funcionar para proteger a vida útil da bomba.

## **Defeitos e reparações**

Não tente substituir um cabo de alimentação defeituoso. O aparelho deve ser devolvido a um centro de assistência autorizado para reparação.

## **Falhas-causas e soluções**

### **O ferro emite um odor ou fumo**

O ferro exala um odor quando é ligado pela primeira vez. Os óleos utilizados durante o fabrico precisam de ser queimados. Aguarde dez minutos para que o odor desapareça.

### **O ferro não aquece**

O ferro deve ser ligado a uma tomada de 230 Volt. Verifique se o interruptor está ligado.

### **O ferro não vaporiza**

O depósito de água pode estar vazio. Rode a valvula do vapor para "0" e adicione água. Deixe o ferro aquecer e, em seguida, ajuste o indicador de vapor para a configuração de vapor.

**"como encher o depósito de água".**

### **O ferro está a verter**

O indicador de vapor variável deve estar colocado em "0", até que o ferro esteja quente. A configuração da temperatura está demasiado baixa para produzir vapor. Jatos de vapor usados em excesso, deixe o ferro reaquecer.

# **GARANTIA**

O período de garantia dos nossos produtos é de 2 anos, salvo indicação em contrário, a partir da data da compra inicial ou da data de entrega.

Se tiver quaisquer problemas ou questões, pode aceder facilmente às nossas páginas de ajuda, dicas de resolução de problemas, FAQ, e manuais do utilizador no nosso site de serviços: <https://sav.hkoenig.com>.

Ao digitar o nome de referência do seu dispositivo na barra de pesquisa, pode aceder a todo o suporte online disponível, concebido para melhor satisfazer as suas necessidades.

Se continuar sem encontrar uma resposta para a sua pergunta ou problema, então clique em "A resposta resolveu o seu problema?". Isto irá encaminhá-lo para o Formulário de Pedido de Apoio ao Cliente, que poderá preencher para validar o seu pedido e obter ajuda.

## **CONDIÇÕES DE GARANTIA**

A garantia cobre todas as falhas que ocorram sob a utilização normal, de acordo com a utilização e especificações do manual do utilizador.

Esta garantia não se aplica a problemas de embalagem ou transporte durante a expedição do produto pelo proprietário. Também não inclui o desgaste normal do produto, nem a manutenção ou substituição de peças consumíveis.

## **EXCLUSÃO DE GARANTIA**

- Acessórios e peças de desgaste (\*).
- Manutenção normal do aparelho.
- Todas as avarias resultantes de utilização inadequada (choques, não cumprimento das recomendações de alimentação, más condições de utilização, etc.), manutenção

insuficiente ou má utilização do aparelho, bem como a utilização de acessórios inadequados.

- Danos de origem externa: incêndio, danos causados pela água, picos elétricos, etc.
- Qualquer equipamento que tenha sido desmontado, mesmo parcialmente, por outras pessoas para além das autorizadas a fazê-lo (nomeadamente o utilizador).
- Os produtos cujo número de série esteja em falta, deteriorado ou ilegível, que não permita a sua identificação.
- Os produtos sujeitos a leasing, demonstração, ou exposição.

(\*) Algumas partes do seu aparelho, chamadas peças de desgaste ou consumíveis, deterioram-se com o tempo e a frequência de utilização do seu aparelho. Este desgaste é normal, mas pode ser acentuado por más condições de utilização ou manutenção do seu aparelho. Estas peças não estão, portanto, cobertas pela garantia.

Os acessórios fornecidos com o aparelho também estão excluídos da garantia. Não podem ser trocados ou reembolsados. No entanto, alguns acessórios podem ser adquiridos directamente através do nosso website: <https://sav.hkoenig.com/>.

## AMBIENTE



Como retalhista responsável, preocupamo-nos com o ambiente. Como tal, instamo-lo a seguir o procedimento correto de eliminação do aparelho e dos materiais de embalagem. Isto ajudará a conservar os recursos naturais e garantirá que seja reciclado de uma forma que proteja a saúde e o ambiente.

Deve eliminar este aparelho e a sua embalagem de acordo com as leis e regulamentos locais. Dado que este aparelho contém componentes eletrónicos, o aparelho e os seus acessórios devem ser eliminados separadamente do lixo doméstico quando o aparelho atinge o seu fim de vida útil. Contate as autoridades locais para se informar sobre a eliminação e reciclagem.

O aparelho deve ser levado para o ponto de recolha local para reciclagem. Alguns pontos de recolha aceitam o aparelho gratuitamente.

Adeva SAS / H.Koenig Europe - 8 rue Marc Seguin - 77290 Mitry Mory - France  
[www.hkoenig.com](http://www.hkoenig.com) - [sav@hkoenig.com](mailto:sav@hkoenig.com) - [contact@hkoenig.com](mailto:contact@hkoenig.com)



FR  
Cet appareil, ses accessoires, cordons et batteries se recyclent

À DÉPOSER EN MAGASIN

À DÉPOSER EN DÉCHÈTERIE

OU

Points de collecte sur [www.quefairedemesdechets.fr](http://www.quefairedemesdechets.fr)  
Privilégiez la réparation ou le don de votre appareil !