

HKoenig

gsx18

Instruction Manual

Manuel d'instructions
Bedienungsanleitung
Gebruiksaanwijzing
Manual de instrucciones
Manuale d'uso



Slow juicer

Extracteur de jus
Schleudermaschine
Centrifuge
Centrifugadora
Centrifuga



ENGLISH

IMPORTANT SAFETY INSTRUCTIONS READ CAREFULLY AND KEEP FOR FUTURE REFERENCE

Carefully read this manual before using this appliance. Ensure that you know how the appliance functions and how to operate it. Maintain the appliance in accordance with the instructions to ensure that it functions properly.

Keep this manual with the appliance. If the appliance is to be used by a third party, this instruction manual must be supplied with it.

The safety instructions do not by themselves eliminate any danger completely and proper accident prevention measures must always be used.

No liability can be accepted for any damage caused by non-compliance with these instructions or any other improper use or mishandling.

Do not use this appliance if it has been dropped or damaged in any way, or if the supply cord is damaged.

Product introduction:

Slow Juicer is a new type of low speed and slowly grind for the fruits and vegetables. This new Juicer has separate the juicer and pulp with two different outlets. This machine is suitable for celery, spinach, carrots, apples, bananas, tomatoes, cucumbers, balsam pear, all need the juice of fruits and vegetables, but not for the

fruits and vegetables which containing starch and please do not use this Juicer to squeeze sugarcane. Compared with the traditional juicer, the Slow Juicer slowly grinding process designed utmost improves the vegetable and fruit juice of the crush rate.

Confirm all parts before disposing of carton. Safely dispose of all plastic bags and other packaging components. They may be potentially dangerous to children.

CAUTION

1. This appliance may be used by persons with reduced physical, sensory or mental capabilities or lack of experience or knowledge, provided that they are supervised or instructed in the safe use of the appliance and that they fully understand the potential hazards.
2. If the power cord is damaged, it must be replaced with an after-sales service to avoid any danger.
3. Cleaning and maintenance should not be carried out by children unless they are at least 8 years of age and are supervised by an adult.
4. Keep the appliance and its power cord out of reach of children under 8 years of age.
5. When using electrical equipment, safety precautions must always be taken to prevent the risk of fire, electric shock and/or injury in the event of misuse.
6. Make sure that the voltage rating on the typeplate corresponds to your main voltage of your installation. If this is not the case, contact the dealer and do not connect the unit

7. Never leave the unit unattended while in operation.
8. Your appliance has been designed for domestic use only. It is not intended for use in the following situations which are not covered by the warranty:
 - in staff kitchen areas in shops, offices and other professional environments,
 - in farm hostels,
 - by guests in hotels, motels and other residential environments,
 - in bed and breakfast type environments.

GENERAL AND ELECTRICAL SAFETY

When using electric appliances always observe safety regulations where applicable to reduce the risk of fire, electric shock and personal injury Always check that the power supply corresponds to the voltage on the rating plate.

Supply Cord and Plug

Always unplug from mains supply when not in use. Do not abuse or damage the power cord. If the supply cord is damaged, it must be replaced by the manufacturer or its service agent or a similarly qualified person in order to avoid a hazard.

Double Insulation Safety

This appliance is double insulated for your protection. Do not attempt to repair a double insulated appliance

Supervision

This appliance is not intended for use by persons (including children) with reduced physical, sensory or

mental capabilities, or lack of experience and knowledge, unless they have been given supervision or instruction concerning use of the appliance by a person responsible for their safety. Children should be supervised to ensure that they do not play with the appliance.

Water

Do not immerse appliance in water or supply cord in water. Do not use with wet hands or use in damp situations.

Use and Environment

Do not use outdoors. Do not use directly below a socket outlet. This appliance is not intended to be operated by means of an external timer or separate remote-control system. This appliance is designed exclusively for private, domestic use and is not suitable for commercial or industrial use. Do not use this appliance for anything other than its intended use. Only use the appliance on a stable, level, heat-resistant surface.

Injury Precaution

WARNING: Potential injury from misuse! Avoid contact with all moving parts. Switch off the appliance and disconnect from supply before changing accessories or approaching parts that move in use.

Damaged or Dropped

Always inspect your appliance before use. Check parts are correctly attached. Do not use this appliance if it has been damaged, dropped, left outdoors or dropped in

water. Return it to an authorized service dealer for examination and repair.

The device must not be used if it has been dropped, it obvious signs of damage are visible or if it has leaks.

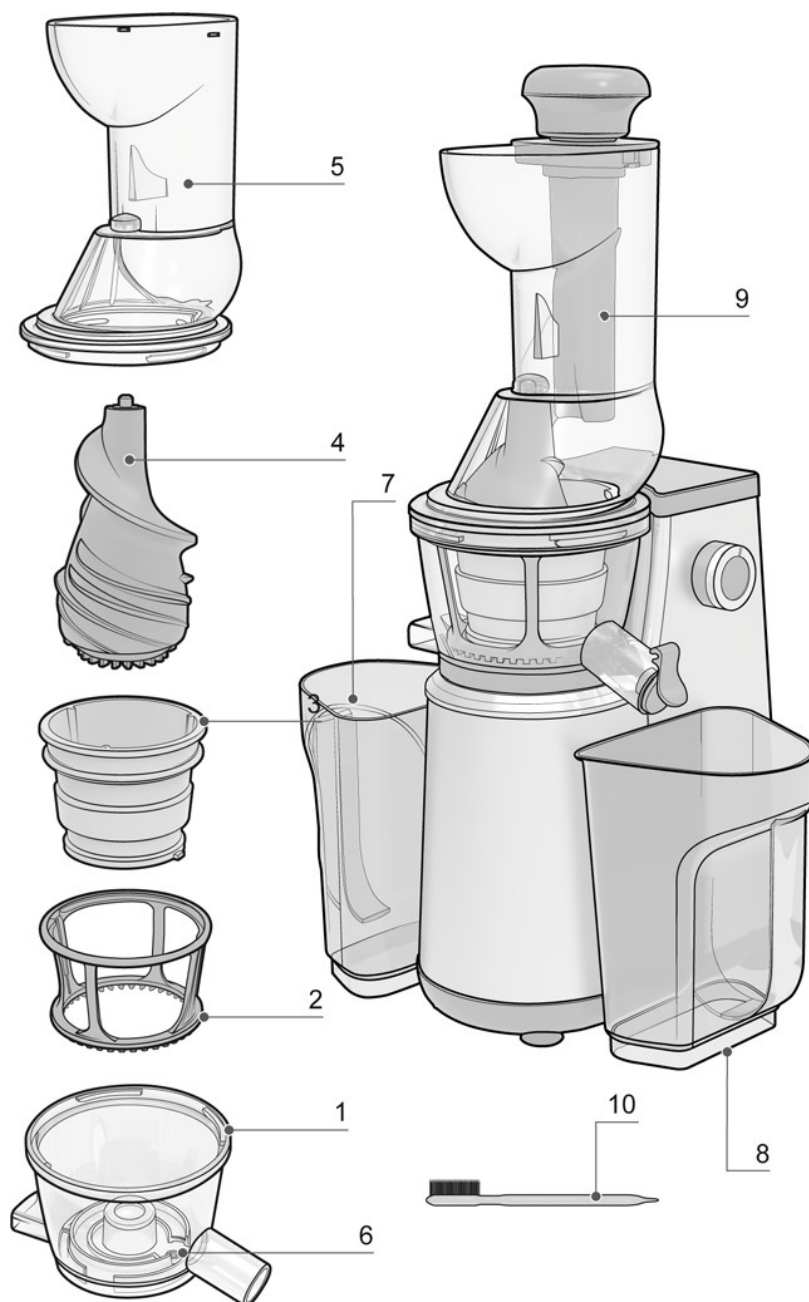
BEFORE FIRST USE

Carefully wipe the exterior of the appliance to remove any dust that may have accumulated. Dry with a dry towel. Do not use harsh abrasive cleaners.

Remove any label or stickers. Wash the accessories in warm soapy water, dry with a dry towel. Do not immerse the supply cord or motor part of this appliance in water or any other liquids.

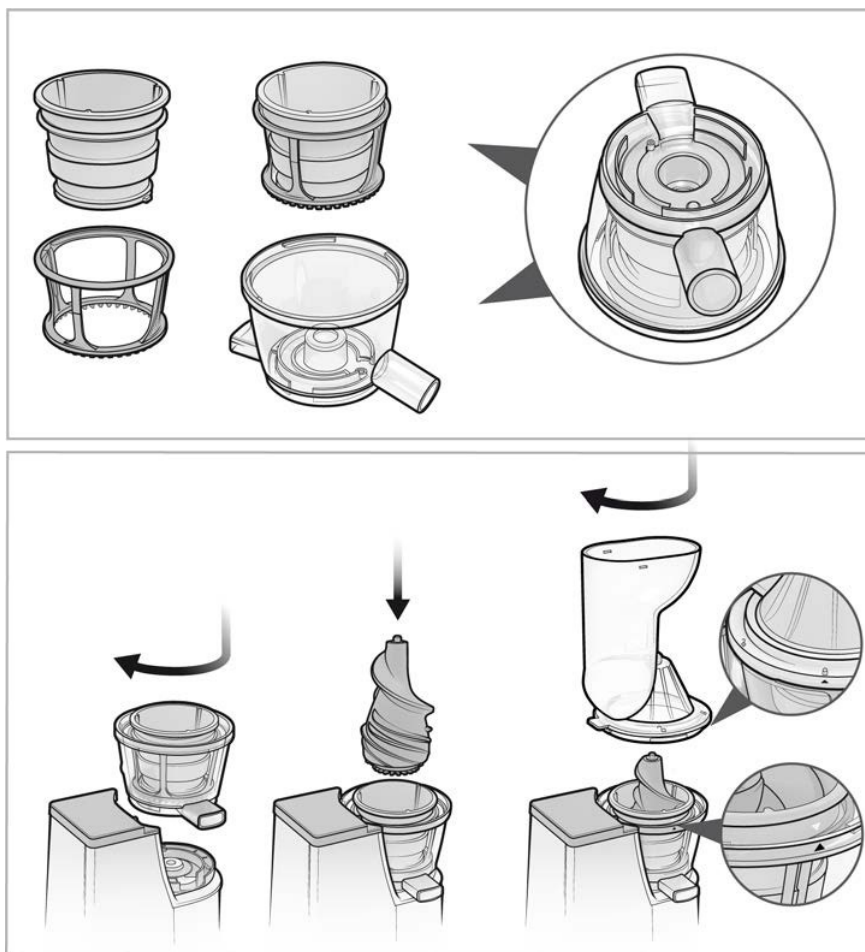
This appliance has a built-in safety lock; this feature ensures that you can only switch on the appliance if you have assembled the juicer correctly on the motor unit. When assembled correctly, the built-in safety lock will be unlocked.

DESCRIPTION



1. Bowl
2. Strainer holder
3. Strainer
4. Juice auger
5. Lid
6. Rubber pad
7. Pulp container
8. Juice container
9. Pusher
10. Cleaning brush

ASSEMBLING THE JUICER



IMPORTANT: If the Juice bowl and lid are not correctly assembled, the Juicer will not operate. This is a safety feature. Please press the “R” button lightly to stop the Juicer, and over press will damaged the motor of Juicer.

Product prohibits idling condition before feeding fruits and vegetables.

USING YOUR JUICER

This Slow Juicer is suitable for celery, spinach, carrots, apples, bananas, tomatoes, cucumbers, balsam pear, all need the juice of fruits and vegetables, but not for the fruits and vegetables which containing starch and please do not use this Juicer to squeeze sugarcane. Compared with the traditional juicer, the Slow Juicer slowly grinding process designed utmost improves the vegetable and fruit juice of the crush rate.

1. Clean fruit and vegetables thoroughly, ready for juicing.
2. If juicing fruit with stones or hard seeds, pit the fruit. Remove any hard inedible skins, i.e. skin of melons, pineapples and mangoes prior to juicing. If citrus fruits are being used, remove the skin prior to juicing.
3. If pieces of fruit or vegetables are very large, chop them to a size that will fit down the juicer’s food chute.
4. Ensure the safety clamps are locked in position on top of the juicer lid.
5. Turn the control switch To On to juice fruits
6. Press the food pusher slowly down until all fruit or vegetables have gone through the juicer. Do not press the food pusher rapidly as the juicer will not be as effective.
7. **CAUTION:** do not put your hand or any other object in the food chute during operation.

8. The juice from the fruit and/or vegetables will flow directly into the juice cup and the pulp will be collected in the pulp bin.
9. When juicing is complete, ensure that the juicer's control switch is set to the OFF position, the power is turned off at the outlet and the juicer is unplugged. It is now safe to disassemble the unit.
10. If the Juice Bowl is stuck and does not detach from the base, Press reverse button "R" 3-5 seconds. Repeat process 2-3 times. Then, push bowl upward while turning
11. The strainer equipped with auto-cleaning brush
10. Disassemble your juicer in the following order:
 - i. Remove the food pusher.
 - ii. Remove the lid.
 - iii. Remove the juice Auger
 - iv. Remove the strainer holder & strainer.
 - v. Remove the juice bowl

TIPS FOR JUICING

Cut food items into small pieces for optimal extraction.

Do not input ice or frozen fruit Put food into feeding tube. Do not push heavily. The pusher perfect into use if food becomes stuck

Insert food at a regular speed, allowing all the pulp to extract. For maximum efficiency, do not rush.

When juicing leafy greens or wheatgrass, it is suggested that you mix it with fruits or other hard vegetables for optimal results.

Juice nuts only with other foods such as soaked soybeans or liquids.

The juice from fresh fruit and vegetables is high in nutritional content. Juice from fresh fruit and vegetables is an important part of a balanced diet.

When selecting fruit and vegetables for juicing, always select fresh and well ripened specimens. Fresh fruit and vegetables carry more flavour and juice than those that are not properly ripened. Juice is best consumed when freshly made as this is when its vitamin and mineral content is highest.

Take out the fruit 10 to 15 minutes before insertion into the extractor

Your juicer can handle most varieties of fruit and vegetables. If using fruit with hard, inedible skin (i.e. watermelons, pineapple, mangoes etc.) always peel the skin before placing in the juicer. The skin of citrus fruit should also be removed before fruit is placed in the juicer. For better tasting citrus juice, also remove the inner white peel from the fruit. Fruits with stones or hard seeds (i.e. mangoes, nectarines, apricots, and cherries) should be pitted before juicing. A small amount of lemon can be added to apple juice to prevent the juice browning.

Banana's can be difficult to juice, if using banana add it as the first or second ingredient, the nectar of the banana will flow through into the juice created from the other fruits.

The juicer is not suitable for juicing very hard and starchy fruits or vegetables such as sugar cane. When juicing fruit and vegetables of different consistency it may help to juice different combinations, i.e. juice soft fruit first, (i.e. oranges) then follow with hard fruit (i.e. apples). This will help you achieve maximum juice extraction. If juicing herbs or leafy vegetables, wrap them together to form a bundle before placing in the juicer or combine them with other ingredients on low speed.

NOTE: The juicer will only function correctly if all parts have been assembled correctly, the lid is in position

MAINTENANCE

Regular maintenance of your appliance will keep it safe and in proper operational order.

All accessories are machine washable (max 80°)

Before Cleaning

When not in use or before cleaning, always disconnect the appliance from the mains supply.

Cleaning

Wash removable parts in warm, soapy water then rinse and dry all parts. Regularly clean the outside of the appliance with a soft damp cloth and dry with a dry towel.

CAUTION: To prevent damage to the appliance do not use harsh solvents, alkaline cleaning agents, abrasive cleansers or scouring agents of any kind when cleaning.

Do not immerse the motor unit or supply cord in water.

Damage Check

Always check that the appliance is in good working order and that all removable parts are secure. Check the power supply cord and plug regularly for cuts or damage.

Store in a Safe Place

When not in use store your appliance and all its accessories and instruction manual in a safe and dry place.

WARRANTY

The warranty period for our products is 2 years, unless otherwise stated, starting from the date of initial purchase or the date of delivery.

If you have any problems or questions, you can easily access our help pages, troubleshooting tips, FAQ, and user manuals on our service site: <https://sav.hkoenig.com>.

By typing the reference name of your device in the search bar, you can access all available online support, designed to best meet your needs.

If you still cannot find an answer to your question or problem, then click on "Did the answer solve your problem?". This will direct you to the Customer Support Request Form, which you can fill out to validate your request and get help.

WARRANTY CONDITIONS

The warranty covers all failures occurring under normal use, in accordance with the usage and specifications in the user's manual.

This warranty does not apply to packaging or transportation problems during shipment of the product by the owner. It also does not include normal wear and tear of the product, nor maintenance or replacement of consumable parts.

EXCLUSION OF WARRANTY

- Accessories and wearing parts (*).
- Normal maintenance of the device.
- All breakdowns resulting from improper use (shocks, failure to comply with power supply recommendations, poor conditions of use, etc.), insufficient maintenance or misuse of the device, as well as the use of unsuitable accessories.
- Damage of external origin: fire, water damage, electrical surge, etc.
- Any equipment that has been disassembled, even partially, by persons other than those authorized to do so (notably the user).
- The products whose serial number would be missing, deteriorated or illegible that would not allow its identification.
- The products subjected to leasing, demonstration, or exhibition.

(*) Some parts of your device, called wear parts or consumables, deteriorate with time and frequency of use of your device. This wear and tear are normal but can be accentuated by poor conditions of use or maintenance of your device. These parts are therefore not covered by the warranty.

The accessories supplied with the device are also excluded from the warranty. They cannot be exchanged or refunded. However, some accessories can be purchased directly through our website: <https://sav.hkoenig.com/>.

ENVIRONNEMENT

ATTENTION :



Vous ne devez pas vous débarrasser de cet appareil avec vos déchets ménagers. Un système de collecte sélective pour ce type de produit est mis en place par les communes, vous devez vous renseigner auprès de votre mairie afin d'en connaître les emplacements. En effet, les produits électriques et électroniques peuvent contenir des substances dangereuses qui ont des effets néfastes sur l'environnement ou la santé humaine et doivent être recyclés. Le symbole ci-contre indique que les équipements électriques et électroniques font l'objet d'une collecte sélective, il représente une poubelle sur roues barrée d'une croix.

Adeva SAS / H.Koenig Europe - 8 rue Marc Seguin, 77290 Mitry-Mory, France
www.hkoenig.com - <https://en.hkoenig.com> - Tél: +33 1 64 67 00 05

FRANÇAIS

INSTRUCTIONS DE SECURITE IMPORTANTES A LIRE ATTENTIVEMENT ET A CONSERVER

Veillez lire attentivement ce manuel avant la première utilisation de cet appareil.

Assurez-vous de bien connaître les fonctions de l'appareil et comment l'utiliser. Entretenez l'appareil selon les indications fournies dans ce manuel afin de garantir tout son potentiel et son fonctionnement.

Gardez ce manuel à proximité de l'appareil et consultez-le avant usage.

Les instructions de sécurité fournies n'éliminent pas le danger lié à l'utilisation de l'appareil, exercez une précaution particulière pendant l'utilisation pour prévenir tout accident.

Nous ne saurons être tenus par responsables pour tout dommage résultant du non respect de ces instructions de sécurité.

Ne jamais utiliser l'appareil s'il est endommagé.

Présentation de l'appareil:

"Slow Juicer" est une nouvelle méthode permettant de triturer les aliments de façon lente. Cette centrifugeuse permet de séparer la pulpe et le jus via deux opercules différents. Cet appareil convient à la préparation de céleri, épinards, carottes, pommes, bananes, tomates, concombres, poires. Ne pas mixer de canne à sucre dans l'appareil. Le fait que l'appareil mixe lentement les fruits et légumes, préserver leurs qualités nutritives.

Vérifiez que vous avez tous les accessoires avant de jeter le carton. Dans la mesure où les sacs plastiques

peuvent être dangereux pour les enfants il est recommandé de les jeter dans les dispositifs prévus à cet effet.

ATTENTION

1. Cet appareil peut être utilisé par des personnes dont les capacités physiques, sensorielles ou mentales sont réduites ou dont l'expérience ou les connaissances ne sont pas suffisantes, à condition qu'elles bénéficient d'une surveillance ou qu'elles aient reçu des instructions quant à l'utilisation de l'appareil en toute sécurité et qu'elles en comprennent bien les dangers potentiels.
2. Si le cordon d'alimentation est endommagé, il doit être remplacé auprès d'un Service après-vente afin d'éviter tout danger.
3. Le nettoyage et l'entretien par l'utilisateur ne doivent pas être effectués par des enfants, à moins qu'ils ne soient âgés de plus de 8ans et qu'ils soient sous la surveillance d'un adulte.
4. Conserver l'appareil et son câble hors de portée des enfants âgés de moins 8ans.
5. Lors de l'utilisation d'appareils électriques, des précautions de sécurité doivent toujours être prises pour prévenir tout risque d'incendie, de choc électrique et/ou de blessure en cas de mauvaise utilisation.
6. Vérifier que le voltage indiqué sur la plaque signalétique de l'appareil correspond bien à celui de votre installation électrique. Si ce n'est pas le cas, adressez-vous au revendeur et ne branchez pas l'appareil
7. Ne jamais laisser l'appareil sans surveillance lorsqu'il est en fonctionnement.

8. Cet appareil est destiné à être utilisé dans des applications domestiques et similaires telles que :
- les zones de cuisine dans les magasins, les bureaux et autres environnements de travail
 - les fermes
 - dans les hôtels, les motels et autres environnements de type résidentiel
 - les chambres d'hôtes.

REGLES DE SECURITE

Lorsque vous utilisez un appareil électrique veillez à suivre ces règles de sécurité pour réduire les risques d'incendie, électrocution et blessures corporelles.

Assurez-vous que la puissance électrique de vos installations correspond à celles de l'appareil.

Câble d'alimentation et prise.

Toujours débrancher la prise de l'appareil lorsque celui-ci n'est pas utilisé. Veillez à ne pas endommager le câble d'alimentation et ne pas utiliser ce dernier si celui-ci est endommagé et le faire réparer par un professionnel.

Isolation double pour votre sécurité.

Cet appareil est muni d'une isolation double pour votre sécurité, ne jamais essayer de modifier ou réparer la centrifugeuse.

Supervision

Cet appareil n'est pas adapté à l'utilisation par des enfants ou de personnes souffrant d'un handicap, physique ou mental. Ne pas laisser les enfants jouer avec l'appareil ou l'utiliser sans la supervision d'un adulte.

Eau

Ne jamais immerger l'appareil ou le câble d'alimentation. Ne pas utiliser l'appareil avec des mains mouillées ou humide.

Utilisation et Environnement

Ne pas utiliser en extérieur. Ne pas utiliser près d'une multiprise. Cet appareil n'est pas adapté pour l'utilisation avec un système de minuterie externe ou de télécommande. Cet appareil est exclusivement conçu pour l'usage domestique et privé et n'est pas adapté à l'usage commercial et industriel. Ne pas utiliser cet appareil autrement que selon les instructions préconisées dans ce manuel. Utiliser l'appareil sur une surface plane et antidérapante.

Préventions des blessures

ATTENTION: La mauvaise utilisation de cet appareil peut être à l'origine de blessures physiques. Eviter le contact avec les parties amovibles et mobiles de l'appareil. Toujours débrancher l'appareil de la prise de courant avant de manipuler les différentes parties.

Dommmages et chutes

Toujours vérifier l'état de l'appareil avant de l'utiliser. Vérifier que toutes les pièces sont bien installées. Ne jamais utiliser l'appareil si est cassé, est tombé, utilisé en extérieur ou bien immergé dans l'eau. En cas de dommage, faites réparer l'appareil par un réparateur compétent.

L'appareil ne doit pas être utilisé s'il a chuté, s'il y a des signes visibles de dommages ou en cas de fuite.

Avant la première utilisation

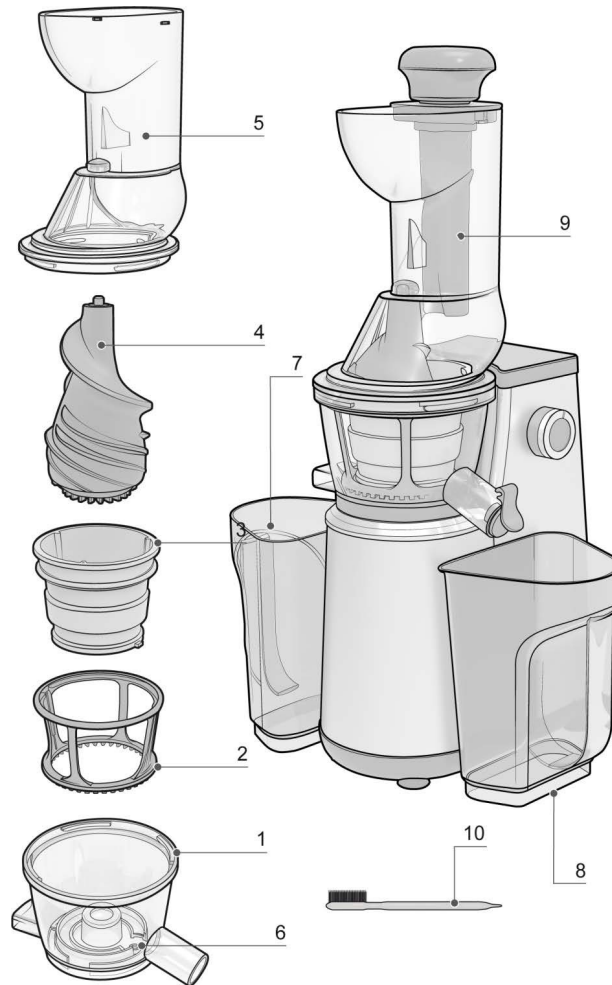
Nettoyer délicatement l'extérieur de l'appareil pour le dépoussiérer. Essuyer avec un torchon sec et ne jamais utiliser des produits abrasifs. Enlevez les étiquettes. Lavez les accessoires à l'eau tiède savonneuse et séchez les avec un chiffon sec. Ne jamais immerger le câble d'alimentation ou le bloc moteur dans l'eau ou tout autre liquide.

Cet appareil est équipé d'un cran de sécurité qui vous permet de ne démarrer la centrifugeuse que si celle-ci est parfaitement assemblée sur le bloc moteur.

Votre appareil a été conçu pour un usage domestique seulement. Elle n'a pas été conçue pour être utilisée dans les cas suivants qui ne sont pas couverts par la garantie :

- dans des coins de cuisines réservés au personnel dans des magasins, bureaux et autres environnements professionnels,
- dans des fermes auberges,
- par les clients des hôtels, motels et autres environnements à caractère résidentiel,
- dans des environnements de type chambres d'hôtes.

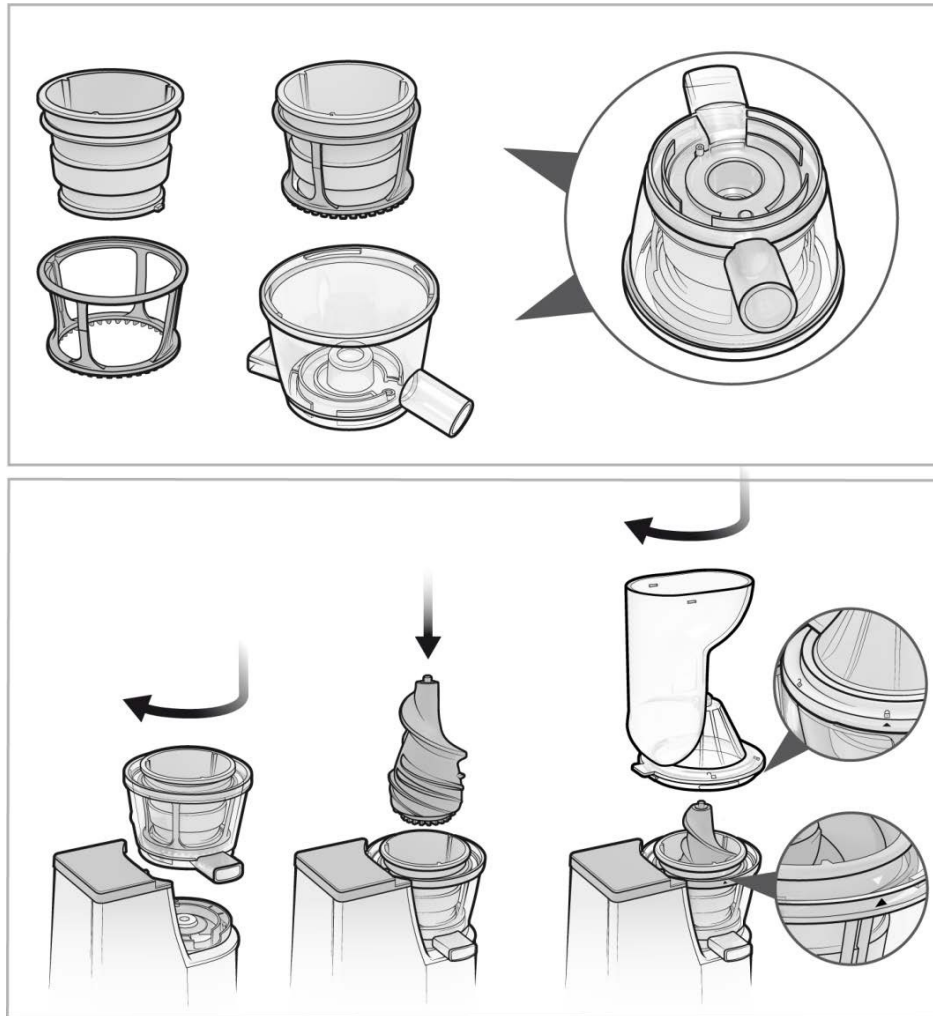
DESCRIPTION



Avant d'assembler la centrifugeuse, assurez-vous que le câble est débranché

1. Bol
2. Passoire
3. Filtre
4. Vis
5. Couvercle
6. Caoutchouc
7. Récipient à déchets
8. Récipient à jus
9. Poussoir
10. Brosse de nettoyage

ASSEMBLAGE



IMPORTANT: Si les accessoires ne sont pas bien assemblés l'appareil ne démarrera pas. Pressez le bouton "R" pour arrêter l'appareil et éviter de l'endommager. La centrifugeuse empêche le moteur de tourner à vide.

UTILISER VOTRE EXTRACTEUR A JUS

Cet appareil convient à la préparation de céleri, épinards, carottes, pommes, bananes, tomates, concombres, poires. Ne pas mixer de canne à sucre dans l'appareil. Le fait que l'appareil mixe lentement les fruits et légumes, préserver leur qualités nutritives. Le fait que l'appareil mixe lentement les fruits et légumes, préserver leur qualités nutritives.

1. Lavez les fruits et légumes minutieusement avant de les placer dans l'appareil.
2. Veillez à dénoyauter les fruits et légumes si ils ont des noyaux. Et pelez les si leurs peaux ne sont pas comestibles comme pour les melons, bananes, ananas ou mangues.
3. En cas de besoin, coupez les aliments de façon à ce qu'ils rentrent facilement dans l'appareil.
4. Assurez-vous que les crans de sécurité placés sur le couvercle sont bien engagés.
5. Allumez l'appareil.
6. Utilisez le poussoir pour guider les aliments dans l'appareil. Ne pas exercer des pressions rapides, cela empêchera l'appareil de fonctionner correctement.
7. **ATTENTION:** ne pas placer vos mains dans l'appareil.

8. Les jus pourra être récupéré dans le réservoir à jus et la pulpe sur le réservoir à pulpe.
9. Assurez-vous de bien éteindre l'appareil après utilisation et avant de démonter l'appareil.
10. Si le réservoir à jus est bloqué, presser le bouton "R" pendant 3-5 secondes. Répéter 2-3 fois. Puis presser vers le haut tout en tournant.
11. Le tamis est équipée d'une brosse autonettoyante.
12. Démonter la centrifugeuse:
 - Enlever le pressoir.
 - Enlever le couvercle.
 - Enlever le pignon.
 - Enlever le tamis et son support.
 - Enlever le réservoir à jus

CONSEILS

Coupez les aliments en petits morceaux pour faciliter le mixage. Ne pas ajouter de glaçons. Ne pas presser violement.

Insérez les aliments à vitesse régulière et prenez votre temps pour assurer de bons résultats. Pour des aliments à feuille comme les épinards ou l'herbe de blé, il est recommandé de les mélanger à d'autres fruits pour de meilleurs résultats.

Pour des graines comme les noix ou noisettes, il faut les mélanger avec des aliments liquides comme les pousses de soja.

Les jus de fruits et légumes sont riches en nutriments, vitamines et fibres, éléments constitutants d'une nutrition saine.

Toujours utiliser des fruits et légumes frais et murs pour vos jus. Consommez vos jus immédiatement pour éviter l'oxydation des vitamines.

La plupart des fruits et légumes conviennent à la centrifugeuse mais veillez à enlever les peaux dures et non comestibles sans oublier les noyaux. Ajoutez du jus de citron dans le jus de pomme pour éviter qu'il noircisse. Les fruits et légumes trop durs et fibreux tels que la canne à sucre ne sont pas adaptés.

Mélangez des fruits de consistances différentes pour de meilleurs résultats. Pour des fruits et légumes en feuilles veillez les enrouler avant de les placer dans la centrifugeuse de préférence avec d'autres aliments.

Sortir les fruits 10 à 15 minutes avant insertion dans l'extracteur

NOTE: Vous ne pourrez démarrer l'appareil que si celui-ci est correctement assemblé.

ENTRETIEN

Entretenez l'appareil régulièrement.

Tous les accessoires sont lavables en Machine (max 80°)

Avant le nettoyage

Toujours débrancher l'appareil avant de le nettoyer.

Nettoyage

Nettoyer les accessoires avec de l'eau tiède et savonneuse avant de les rincer à l'eau claire et les sécher. Nettoyer l'extérieur régulièrement avec un chiffon doux.

ATTENTION: ne pas utiliser de produits abrasifs pour le nettoyage.

Ne jamais immerger le bloc moteur ou le câble dans de l'eau ou tout autre liquide.

Toujours vérifier que tous les éléments ont correctement assemblés. Le bon état du câble d'alimentation est primordial, surveillez que celui-ci ne soit pas endommagé.

Conserver en sûreté

Toujours entreposer l'appareil dans un endroit sec et propre entre les utilisations.

GARANTIE

La durée de garantie de nos produits est de 2 ans, sauf décret en vigueur, à compter de la date d'achat initiale ou la date de livraison.

En cas de problèmes ou d'interrogations, vous pouvez facilement accéder à nos pages d'aides, conseils de dépannage, FAQ et modes d'emplois sur notre site SAV : <https://sav.hkoenig.com>.

En tapant le nom de référence de votre appareil dans la barre de recherche, vous accédez à tous les supports en ligne disponibles, conçus pour vous répondre au mieux à vos besoins.

Si vous ne trouvez toujours pas de réponse à votre question ou votre problème, alors cliquez sur « Est-ce que la réponse a résolu votre problème ? ». Vous accéderez alors au formulaire de demande d'assistance SAV, qu'il vous suffira de compléter pour valider votre demande et obtenir de l'aide.

CONDITIONS DE GARANTIE

La garantie couvre l'ensemble des pannes survenant dans le cadre d'une utilisation normale, conforme aux usages et spécifications présentes sur le manuel d'utilisation.

Cette garantie ne s'applique pas aux problèmes d'emballage ou de transport pendant l'expédition du produit par son propriétaire. Elle n'inclut également pas l'usure normale du produit, ni la maintenance ou le remplacement de pièces consommables.

EXCLUSION DE GARANTIE

- Les accessoires et les pièces d'usure (*).
- L'entretien normal de l'appareil.
- Toutes pannes survenant par suite d'une mauvaise utilisation (chocs, non-respect des préconisations d'alimentation électrique, mauvaises conditions d'utilisation, etc.), d'un entretien insuffisant ou d'un détournement de fonction de l'appareil, ainsi que l'usage d'accessoires non appropriés.
- Les dommages d'origine externe : incendie, dégâts des eaux, surtension électrique, etc.
- Tout matériel qui aura été démonté même partiellement par des personnes autres que celles habilitées (notamment l'utilisateur).
- Les produits dont le numéro de série serait absent, détérioré ou illisible que ne permettrait pas son identification.
- Les produits soumis à la location, à la démonstration ou à l'exposition.

(*) Certaines pièces de votre appareil dites pièces d'usure ou consommables se détériorent avec le temps et la fréquence d'usage de votre appareil. Cette usure est normale, mais peut être accentuée par des mauvaises conditions d'utilisation ou entretien de votre appareil. Ces pièces ne sont donc pas couvertes par la garantie.

Les accessoires fournis avec l'appareil sont également exclus du champ de la garantie. Ils ne peuvent donc être ni échangés, ni remboursés. Toutefois, certains accessoires peuvent être directement achetés via notre site : <https://sav.hkoenig.com/>.

ENVIRONNEMENT

ATTENTION :



Vous ne devez pas vous débarrasser de cet appareil avec vos déchets ménagers. Un système de collecte sélective pour ce type de produit est mis en place par les communes, vous devez vous renseigner auprès de votre mairie afin d'en connaître les emplacements. En effet, les produits électriques et électroniques peuvent contenir des substances dangereuses qui ont des effets néfastes sur l'environnement ou la santé humaine et doivent être recyclés. Le symbole ci-contre indique que les équipements électriques et électroniques font l'objet d'une collecte sélective, il représente une poubelle sur roues barrée d'une croix.

Adeva SAS / H.Koenig Europe - 8 rue Marc Seguin, 77290 Mitry-Mory, France
www.hkoenig.com - <https://sav.hkoenig.com> - Tél: +33 1 64 67 00 05

DEUTSCH

WICHTIGE SICHERHEITSHINWEISE LESEN SIE SORGFÄLTIG UND BEWAHREN SIE ES ZUM NACHSCHLAGEN

Vor der Verwendung dieses Geräts lesen Sie dieses Handbuch.

Stellen Sie sicher, dass Sie wissen, wie die Gerätefunktionen und wie es zu bedienen.

Pflegen Sie das Gerät nicht in Übereinstimmung mit den Anweisungen, um sicherzustellen, dass es richtig funktioniert.

Bewahren Sie dieses Handbuch mit dem Gerät. Wenn das Gerät von einem Dritten verwendet werden, muss diese Bedienungsanleitung mit ihm geliefert werden.

Die Sicherheitsanweisungen nicht von selbst beseitigen jede Gefahr vollständig und richtig

Unfallverhütungsmaßnahmen müssen immer verwendet werden.

Kann keine Haftung für Schäden, die durch Nichtbeachtung dieser Vorschriften oder anderen unsachgemäßen Gebrauch oder unsachgemäße Handhabung akzeptiert.

Verwenden Sie dieses Gerät nicht, wenn sie heruntergefallen oder in irgendeiner Weise beschädigt ist oder wenn das Netzkabel beschädigt ist.

Produkteinführung:

Langsam Juicer ist eine neue Art von niedriger Geschwindigkeit und langsam mahlen für die Früchte und Gemüse. Diese neue Entsafter hat die Saftpresse und Zellstoff mit zwei verschiedenen Verkaufsstellen zu trennen. Diese Maschine ist geeignet für Sellerie, Spinat,

Karotten, Äpfel, Bananen, Tomaten, Gurken, Balsambirne, müssen den Saft von Früchten und Gemüse, aber nicht für die Früchte und Gemüse, die stärkehaltigen und bitte nicht in diesen Entsafter zu drücken Zuckerrohr. Verglichen mit den traditionellen Saftpresse, Slow Entsafter langsam Schleifprozess entwickelt größter verbessert die Gemüse-und Obstsaft Gedränge Rate.

Bestätigen Sie alle Teile vor der Entsorgung von Karton. Entsorgen Sie alle Plastiktüten und anderen Verpackungskomponenten . Sie können möglicherweise gefährlich für Kinder sein.

VORSICHT

1. Dieses Gerät kann von Personen mit eingeschränkten körperlichen, sensorischen oder geistigen Fähigkeiten oder mangelnder Erfahrung und Kenntnis benutzt werden, vorausgesetzt, dass sie beaufsichtigt oder in der sicheren Benutzung des Gerätes unterwiesen werden und die möglichen Gefahren vollständig verstehen.
2. Wenn das Netzkabel beschädigt ist, muss es mit einem Kundendienst ersetzt werden, um Gefahren zu vermeiden.
3. Kinder dürfen das Gerät nur reinigen oder pflegen, wenn sie mindestens 8 Jahre alt sind und von einem Erwachsenen beaufsichtigt werden.
4. Bewahren Sie das Gerät und das zugehörige Netzkabel außerhalb der Reichweite von Kindern unter 8 Jahren auf.
5. Bei der Verwendung elektrischer Geräte sind stets Sicherheitsvorkehrungen zu treffen, um bei unsachgemäßer Verwendung die Gefahr von Bränden, elektrischen Schlägen und/oder Verletzungen zu vermeiden.

6. Achten Sie darauf, dass die auf dem Typenschild angegebene Nennspannung mit Ihrer Netzspannung übereinstimmt Ihrer Installation. Wenn dies nicht der Fall ist, wenden Sie sich an den Händler und schließen Sie das Gerät nicht an.
7. Lassen Sie das Gerät während des Betriebs niemals unbeaufsichtigt.
8. Dieses Gerät ist für die Verwendung in Haushalten und ähnlichen Bereichen vorgesehen, wie z. B.
 - Küchenbereiche in Geschäften, Büros und anderen Arbeitsumgebungen
 - in Bauernhäusern
 - in Hotels, Motels und anderen Wohnbereichen
 - Gästezimmern.

ALLGEMEINE UND ELEKTRISCHE SICHERHEIT

Bei der Verwendung von Elektrogeräten immer Sicherheitsvorschriften beachten, wo anwendbar, um die Gefahr von Feuer, Stromschlag- und Verletzungsgefahr zu reduzieren.

Prüfen Sie stets, dass die Stromversorgung mit der Spannung auf dem Typenschild.

Versorgungskabel und Stecker

Immer vom Netz trennen, wenn sie nicht in Gebrauch ist. Missbrauchen Sie nicht beschädigen oder das Netzkabel. Wenn das Netzkabel beschädigt ist, muss sie durch den Hersteller oder seinen Kundendienst oder eine ähnlich qualifizierte Person, um eine Gefahr zu vermeiden ersetzt werden.

Doppelte Isolierung Sicherheit

Dieses Gerät ist doppelt isoliert für Ihren Schutz. Versuchen Sie nicht, ein doppelt isoliertes Gerät zu reparieren.

Aufsicht

Dieses Gerät ist nicht zur Verwendung durch Personen (einschließlich Kinder) mit eingeschränkten physischen, sensorischen oder geistigen Fähigkeiten oder mangels Erfahrung und Wissen vorgesehen, sofern sie eine angemessene Aufsicht oder ausführliche Anleitung zur Benutzung des Geräts durch eine für ihre Sicherheit zuständige Person. Kinder sollten beaufsichtigt werden, um sicherzustellen, dass sie nicht mit dem Gerät spielen.

Wasser

Das Gerät nicht in Wasser oder Stromkabel nicht in Wasser tauchen. Mit nassen Händen nicht verwenden oder die Verwendung in feuchten Situationen.

Nutzung und Umwelt

Nicht im Freien verwenden. Verwenden Sie nicht direkt unter einer Steckdose. Dieses Gerät ist nicht dazu gedacht, mittels einer externen Zeitschaltuhr oder separaten Remote-Control-System betrieben werden. Dieses Gerät ist ausschließlich für den privaten Einsatz konzipiert und ist nicht für gewerbliche oder industrielle Nutzung. Verwenden Sie dieses Gerät nicht für andere als die vorgesehene Verwendung. Verwenden Sie das Gerät auf eine stabile, ebene, hitzebeständige Oberfläche.

Verletzung Vorsorge

WARNUNG: Mögliche Verletzungen durch Missbrauch!
Kontakt mit allen beweglichen Teilen vermeiden.
Schalten Sie das Gerät aus und trennen Sie von
Versorgung vor Austausch der Einzelteile, die im
Einsatz zu bewegen.

Beschädigte oder Gefallen

Untersuchen Sie Ihr Gerät vor dem Gebrauch. Richtig
Prüfen Teile befestigt sind. Verwenden Sie dieses
Gerät nicht, wenn es beschädigt-, gefallen, im Freien
gelassen oder ins Wasser gefallen. Bringen Sie es zu
einem autorisierten Service-Händler für Prüfung und
Reparatur.

Das Gerät darf nicht benutzt werden, wenn es fallen
gelassen wurde, wenn auffällige Zeichen von
Beschädigungen sichtbar sind oder wenn es undicht ist.

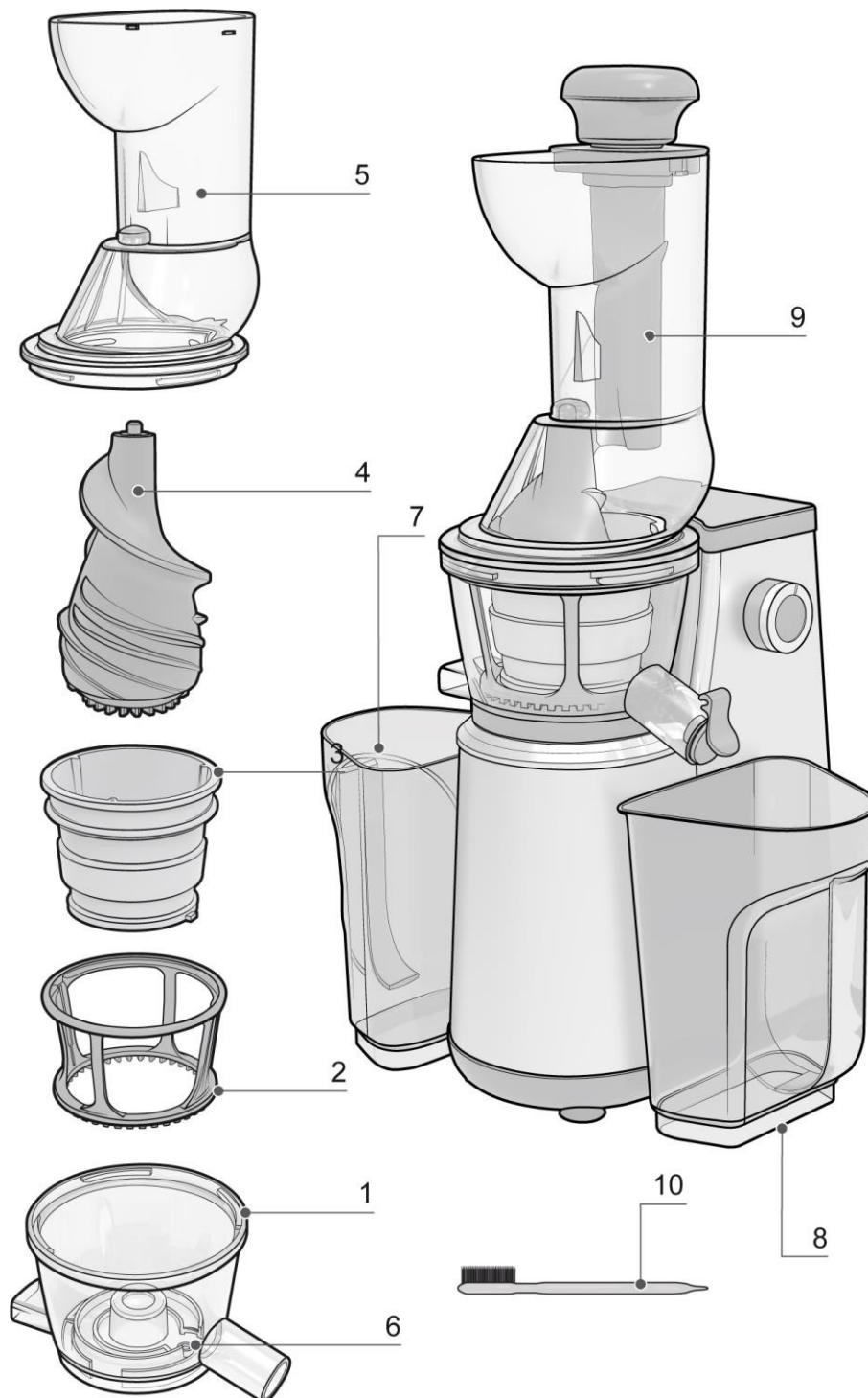
VOR DER ERSTEN VERWENDUNG

Vorsichtig wischen Sie die Außenseite des Geräts, um
Staub angesammelt haben, zu entfernen. Trocknen mit
einem trockenen Handtuch. Verwenden Sie keine
scharfen Scheuermittel. Entfernen Sie das Etikett oder
Aufkleber. In warmem Seifenwasser waschen Zubehör,
mit einem trockenen Handtuch.

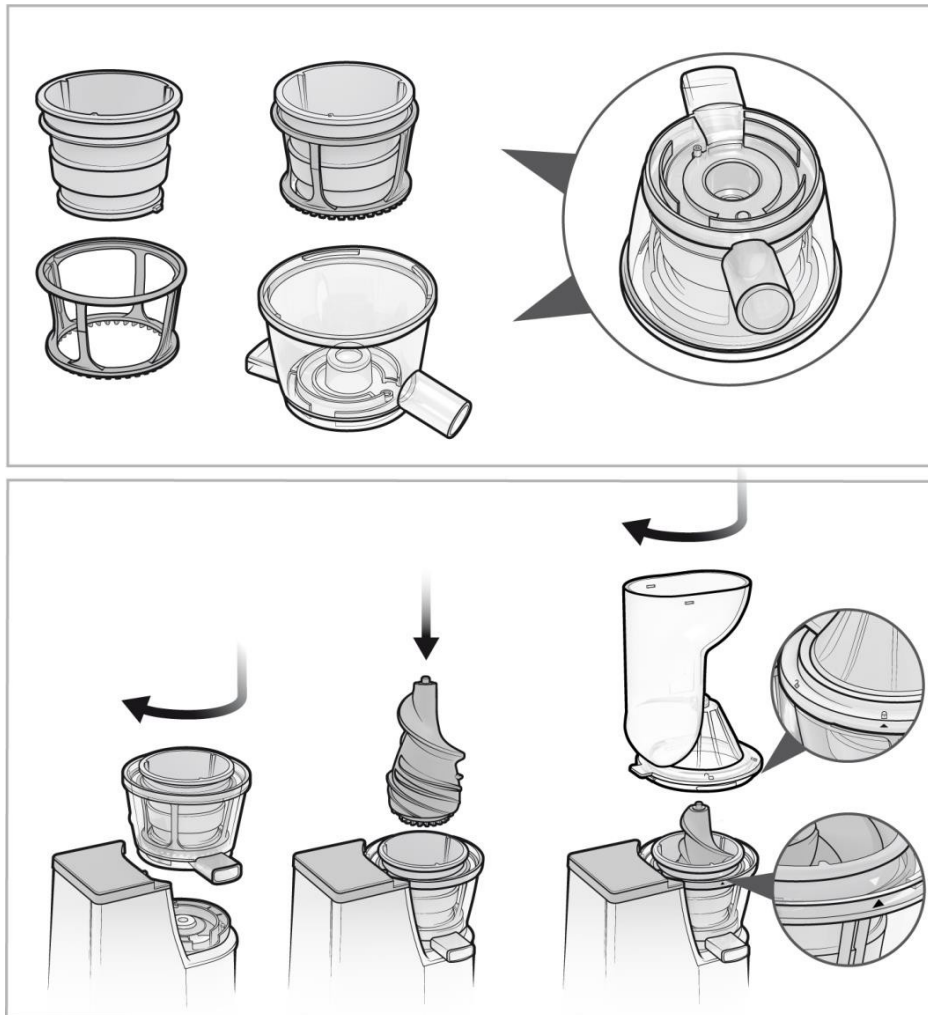
Tauchen Sie die Versorgungskabel oder Motorteil dieses
Gerät nicht in Wasser oder andere Flüssigkeiten.

Dieses Gerät verfügt über eine eingebaute
Sicherheitssperre, Diese Funktion stellt sicher, dass Sie
nur das Gerät einzuschalten, wenn Sie die Saftpresse
korrekt auf der Motoreinheit montiert. Wenn richtig
montiert, wird die eingebaute Sicherheitsverriegelung
entriegelt.

MONTAGE DES SAFTPRESSE



1. Schüssel
2. Sieb Halter
3. Sieb
4. Juice Schnecke
5. Deckel
6. Gummiauflage
7. Fruchtfleischbehälter
8. Saftbehälter
9. Pusher
10. Reinigungsbürste



WICHTIG: Wenn der Saft Schüssel und Deckel sind nicht richtig montiert, die Saftpresse funktioniert nicht. Dies ist ein Sicherheitsmerkmal. Bitte drücken Sie die Taste "R" leicht, um den Entsafter zu stoppen, und über Tastendruck wird der Motor der Entsafter beschädigt. Produkt verbietet Leerlauf vor der Fütterung Obst und Gemüse.

VERWENDEN SIE IHRE SAFTPRESSE

Diese langsame Entsafter ist geeignet für Sellerie, Spinat, Karotten, Äpfel, Bananen, Tomaten, Gurken, Balsambirne, alle müssen den Saft von Früchten und Gemüse, aber nicht für die Früchte und Gemüse, die stärkehaltigen und bitte verwenden Sie nicht dieses Entsafter Squeeze Zuckerrohr. Verglichen mit den traditionellen Saftpresse, Slow Entsafter langsam Schleifprozess entwickelt größter verbessert die Gemüse-und Obstsaft Gedränge Rate.

1. Sauberes Obst und Gemüse gründlich, bereit für die Saftherstellung.
2. Wenn Obstsafterstellung mit Steinen oder harten Samen, die Box die Frucht. Entfernen Sie alle Fest ungenießbar Skins, also die Haut von Melonen, Ananas und Mangos vor dem Entsaften. Wenn Zitrusfrüchte verwendet werden, entfernen Sie die Haut vor dem Entsaften.
3. Wenn Stücke von Obst oder Gemüse sind sehr groß, hacken sie auf eine Größe, die passen unten wird der Saftpresse Lebensmittelrinne.
4. Sicherstellen, dass die Sicherheitsklemmen sind in Lage auf der Saftpresse Deckel verschlossen.
5. Drehen Sie den Steuerschalter auf ON, um Saft Früchte

6. Drücken Sie den Stopfer langsam nach unten, bis alle Obst oder Gemüse haben durch die Saftpresse gegangen. Den Stopfer schnell drücken nicht als der Entsafter nicht so effektiv.
7. ACHTUNG: nicht eine Hand oder ein anderes Objekt in der Lebensmittelschacht während des Betriebs.
8. Der Saft aus den Früchten und / oder Gemüse wird direkt in die Saftschale fließen, und die Pulpe wird in der Zellstoffbehälter gesammelt werden.
9. Wenn der Safterstellung abgeschlossen ist, sicherzustellen, dass die Saftpresse die Steuerschalter in die Position OFF gesetzt ist, wird die Leistung an der Steckdose eingeschaltet und die Saftpresse ist nicht angeschlossen. Es ist jetzt sicher, das Gerät zu zerlegen.
10. Wenn der Saft Schüssel ist fest und nicht von der Basis lösen, Presse- Reverse-Taste "R" 3-5 Sekunden. Wiederholen Sie den Vorgang 2-3 mal. Dann schieben Schüssel nach oben und drehen.
11. Das Sieb mit Auto-Reinigungsbürste ausgestattet
10. Demontieren Sie Ihre Saftpresse in der folgenden Reihenfolge:
 - i. Entfernen Sie den Stopfer.
 - ii. Nehmen Sie den Deckel.
 - iii. Nehmen Sie den Saft Spirale
 - iv. Entfernen Sie die Filterhalter & Sieb.
 - v. Entfernen Sie die Saftschale

TIPPS FÜR DIE SAFTHERSTELLUNG

Schneiden Sie Lebensmittel in kleine Stücke für die optimale Extraktion. Nicht Eingangs

Eis oder gefrorenen Früchten Setzen Nahrung in

Ernährungssonde. Drücken Sie nicht stark. Der Schieber perfekt in Gebrauch, wenn Nahrung stecken bleibt Einsatz Essen zu einem regelmäßigen Geschwindigkeit, so dass alle das Fruchtfleisch zu extrahieren. Für maximale Effizienz, keine Eile.

Beim Entsaften Blattgemüse oder Weizengras, wird vorgeschlagen, dass Sie es mischen sich mit Früchten oder anderen harten Gemüse für optimale Ergebnisse.

Nur mit anderen Lebensmitteln wie eingeweichten Sojabohnen oder Flüssigkeiten Saft Muttern.

Der Saft aus frischem Obst und Gemüse ist in hohem Nährstoffgehalt. Saft aus frischem Obst und Gemüse ist ein wichtiger Bestandteil einer ausgewogenen Ernährung.

Bei der Auswahl von Obst und Gemüse für die Safterstellung, wählen Sie immer frisch und gut gereift Proben. Frisches Obst und Gemüse tragen mehr Geschmack und Saft als diejenigen, die nicht richtig gereift sind. Saft ist am besten verbraucht, wenn frisch gemacht wie das ist, wenn seine Vitamin-und Mineralstoffgehalt am höchsten ist.

Ihre Saftpresse können die meisten Sorten von Obst und Gemüse zu behandeln. Wenn Sie Früchte mit harten, ungenießbaren Haut (zB Wassermelonen, Ananas, Mangos, etc.) immer die Haut abzuziehen, bevor sie in den Entsafter. Die Haut der Zitrusfrüchte sollten auch entfernt werden, bevor Frucht wird in der Saftpresse platziert. Für eine bessere Probe Zitrusaft , die innere weiße Schale auch aus der Frucht entfernen. Früchte mit Steinen oder harte Samen (dh Mangos, Nektarinen, Aprikosen und Kirschen) sollten vor dem Entsaften ausgespielt werden. Eine kleine Menge von Zitrone kann Apfelsaft zugesetzt werden, um den Saft Bräunung zu verhindern. Bananen kann schwierig zu Saft, wenn mit Banane als erste oder zweite Bestandteil fügen Sie es, wird der Nektar von der Banane bis in den Saft aus den anderen Früchten erstellt fließen.

Der Entsafter ist nicht geeignet für die Safftherstellung sehr hart und stärkehaltige Früchte oder Gemüse wie Zuckerrohr. Beim Entsaften von Obst und Gemüse unterschiedlicher Konsistenz kann es zu Saft verschiedene Kombinationen, dh Saft weiche Frucht zunächst (dh Orangen) helfen dann mit harten Früchten (zB Äpfel) zu folgen. Dies wird Ihnen helfen maximale Saftgewinnung zu erreichen. Wenn Entsaften Kräuter oder Blattgemüse, wickeln Sie sie zusammen, um ein Bündel, bevor sie in den Entsafter zu bilden, oder kombinieren Sie sie mit anderen Zutaten auf niedriger Geschwindigkeit.

Nehmen Sie die Früchte 10 bis 15 Minuten vor dem Einsetzen in den Extraktor heraus

HINWEIS: Die Saftpresse nur korrekt, wenn alle Teile korrekt montiert worden zu funktionieren, ist der Deckel in Position.

PFLEGE

Regelmäßige Wartung des Gerätes wird es halten sicher und in der richtigen Betriebs Ordnung.

Alle Zubehörteile sind maschinenwaschbar (max. 80°)

Vor der Reinigung

Wenn nicht in Gebrauch und vor jeder Reinigung muss das Gerät vom Stromnetz zu trennen.

Reinigung

Waschen Sie abnehmbare Teile in warmem Seifenwasser ausspülen und alle Teile trocknen.

Reinigen Sie regelmäßig die Außenseite des Gerätes mit einem weichen feuchten Tuch und mit einem trockenen Handtuch.

ACHTUNG: Um Schäden am Gerät zu vermeiden verwenden keine scharfen Lösungsmittel, alkalische Reinigungsmittel, Scheuermittel oder Scheuermittel jeglicher Art bei der Reinigung.

Tauchen Sie nicht die Motoreinheit oder Netzkabel in Wasser.

Schäden prüfen

Überprüfen Sie immer, dass das Gerät in einem guten Zustand und alle abnehmbaren Teile sicher sind.

Überprüfen Sie das Netzkabel und Stecker regelmäßig auf Risse und Schäden.

An einem sicheren Platz halten

Wenn nicht in Gebrauch zu speichern Ihr Gerät und alle Zubehörteile und Bedienungsanleitung in einer sicheren und trockenen Platz aufbewahren.

GARANTIE

Die Garantiezeit für unsere Produkte beträgt 2 Jahre, sofern keine anderen Bestimmungen gelten, ab dem Datum des ursprünglichen Kaufs oder ab dem Lieferdatum.

Bei Problemen oder Fragen können Sie sich an unsere Hilfeseiten, Tipps zur Fehlerbehebung, FAQs und Bedienungsanleitungen auf unserer Kundendienst-Website wenden:

<https://sav.hkoenig.com>.

Wenn Sie den Referenznamen Ihres Geräts in die Suchleiste eingeben, erhalten Sie Zugang zu allen verfügbaren Online-Supports.

Wenn Sie immer noch keine Antwort auf Ihre Frage oder Ihr Problem finden, dann klicken Sie auf "Hat die Antwort Ihr Problem gelöst?". Sie können dieses Formular ausfüllen, um Ihre Anfrage zu bestätigen und Hilfe zu erhalten.

GARANTIEBEDINGUNGEN

Die Garantie deckt alle Defekte ab, die bei normalem, bestimmungsgemäßem Gebrauch und den in der Bedienungsanleitung enthaltenen Spezifikationen auftreten.

Diese Garantie gilt nicht für Probleme mit der Verpackung oder dem Transport während des Versands des Produkts durch den Eigentümer. Sie umfasst auch nicht den normalen Verschleiß des Produkts, die Wartung oder den Austausch von Verschleißteilen.

AUSSCHLUSS DER GARANTIE

- Zubehör und Verschleißteile (*).
- Die normale Wartung des Geräts.
- Alle Defekte, die durch unsachgemäßen Gebrauch (Stöße, Nichteinhaltung der empfohlenen Stromzufuhr, schlechte Nutzungsbedingungen usw.), unzureichende Wartung oder Zweckentfremdung des Geräts auftreten, sowie die Verwendung von ungeeignetem Zubehör.
- Schäden durch äußere Einflüsse: Brand, Wasserschäden, elektrische Überspannung usw.
- Alle Geräte, die von anderen als den befugten Personen (insbesondere dem Nutzer) auch nur teilweise auseinandergelassen wurden.
- Produkte, deren Seriennummer fehlt, beschädigt oder unleserlich ist, sodass sie nicht identifiziert werden können.
- Produkte, die vermietet, vorgeführt oder ausgestellt werden.

(*). Einige Teile Ihres Geräts, die als Verschleißteile oder Verbrauchsmaterialien bezeichnet werden, verschleiben mit der Zeit und der Häufigkeit der Nutzung Ihres Geräts. Diese Abnutzung ist normal, kann aber durch falsche Nutzung oder Pflege Ihres Geräts noch verstärkt werden. Diese Teile sind daher nicht durch die Garantie abgedeckt. Das mit dem Gerät gelieferte Zubehör ist ebenfalls von der Garantie ausgeschlossen. Sie können daher weder umgetauscht noch erstattet werden. Einige Zubehöerteile können jedoch direkt über unsere Website <https://sav.hkoenig.com/> erworben werden.

UMWELT

ACHTUNG:



Werfen Sie nicht dieses Produkt, wie es mit anderen Haushaltsprodukten hat. Es gibt eine Mülltrennung von diesem Produkt in Gemeinden, Sie müssen Ihre lokalen Behörden über die Orte, wo man dieses Produkt zurückgeben können zu informieren. In der Tat enthalten elektrische und elektronische Produkte gefährliche Stoffe, die schädliche Auswirkungen auf die Umwelt oder die menschliche Gesundheit haben und sollte recycelt werden. Das Symbol hier darauf hinweisen, dass elektrische oder elektronische Geräte sollten sorgfältig ausgewählt werden, ist ein fahrbarer Abfallbehälter mit einem Kreuz markiert.

Adeva SAS / H.Koenig Europe - 8 rue Marc Seguin, 77290 Mitry-Mory, France
www.hkoenig.com - <https://kundenservice.hkoenig.com> - Tél: +33 1 64 67 00 05

NEDERLANDS

BELANGRIJKE VEILIGHEIDSINSTRUCTIES LEES ZORGVULDIG EN BEWAAR VOOR TOEKOMSTIGE VERWIJZINGEN

Lees deze gebruiksaanwijzing zorgvuldig voor het in gebruik nemen van het apparaat. Zorg ervoor dat u weet hoe het apparaat werkt en hoe u het moet gebruiken. Bewaar deze gebruiksaanwijzing bij het apparaat. Als het apparaat gebruikt wordt door een derde partij, moet de gebruiksaanwijzingen erbij worden gegeven. De veiligheidsinstructies voorkomen niet automatisch al het gevaar en geschikte veiligheidsmaatregelen moeten altijd getroffen worden. Aansprakelijkheid wordt niet geaccepteerd bij schade veroorzaakt door het niet volgens de veiligheidsinstructies opereren of het ongeoorloofd gebruik van het apparaat. Gebruik dit apparaat niet als het ooit is gevallen of beschadigd is op wat voor een manier dan ook, of als de stroomkabel is beschadigd.

Product introductie:

Slow Juicer is een nieuw type apparaat dat langzaam fruit en groente perst. Deze nieuwe Juicer splitst het sap en het vruchtvlees in twee verschillende uitgangen. Deze machine is geschikt voor selderij, spinazie, wortels, appels, bananen, tomaten, komkommers, peren en andere vruchten en groenten met sap, met uitzondering van vruchten en groenten die zetmeel bevatten en rietsuiker. Vergeleken met de traditionele persmachines, is het percentage uitgeperste sap door het langzame persproces van de Slow Juicer verbeterd.

Controleer eerst of alle onderdelen aanwezig zijn voordat de doos wordt weggegooid. Zorg ervoor dat de plastics zakken en de andere inpak materialen veilig worden weggegooid. Ze kunnen mogelijke gevaren voor kinderen meebrengen.

VOORZICHTIG

1. Dit apparaat kan worden gebruikt door personen met verminderde fysieke, zintuiglijke of mentale vermogens of met gebrek aan ervaring of kennis, op voorwaarde dat zij onder toezicht staan of instructies hebben gekregen over het veilige gebruik van het apparaat en dat zij de mogelijke gevaren volledig begrijpen.
2. Als het netsnoer beschadigd is, moet het worden vervangen door een after-sales service om elk gevaar te voorkomen.
3. Reiniging en onderhoud mogen niet worden uitgevoerd door kinderen tenzij ze 8 jaar of ouder zijn en onder toezicht van een volwassene staan.
4. Houd het apparaat en het snoer buiten bereik van kinderen onder de 8 jaar.
5. Bij het gebruik van elektrische apparatuur moeten altijd veiligheidsmaatregelen worden genomen om het risico van brand, elektrische schokken en/of letsel in geval van verkeerd gebruik te voorkomen.
6. Controleer of de spanning op het typeplaatje overeenkomt met de spanning die op het typeplaatje staat van uw installatie. Als dit niet het geval is, neem dan contact op met de dealer en sluit het apparaat niet aan.
7. Laat het apparaat nooit onbeheerd achter terwijl het in bedrijf is.

8. Dit apparaat is bedoeld voor gebruik in huishoudens en soortgelijke ruimten, zoals:
- keukenruimten in winkels, kantoren en andere werkomgevingen
 - in boerderijen
 - in hotels, motels en andere woonwijken
 - gastenkamers.

ALGEMENE EN ELEKTRISCHE VEILIGHEID

Bij het gebruik van elektrische apparaten dient u altijd eerst de veiligheidsvoorschriften te bestuderen indien toepasbaar om het risico van brand, elektrische schok en persoonlijke schade te verminderen. Controleer altijd of het vermogen van het stopcontact overeenkomt met dat van het apparaat.

Kabel en plug

Zorg er altijd voor dat de kabel uit het stopcontact is verwijderd als het apparaat niet in gebruik is. Als deze stroomkabel beschadigd is, dient hij vervangen te worden door de producent of een service bureau van het bedrijf of door een gekwalificeerd persoon om gevaarlijke situaties te voorkomen.

Veiligheid door Dubbele Isolatie

Dit apparaat is dubbel geïsoleerd voor uw veiligheid. Probeer niet om een dubbel geïsoleerd apparaat te repareren.

Supervisie

Dit apparaat is niet bedoeld om in gebruik genomen te worden door personen (inclusief kinderen) met beperkte fysieke, zintuiglijke of mentale mogelijkheden en een gebrek aan ervaring of kennis. Dit is anders in het geval dat er supervisie wordt gehouden door een persoon dat verantwoordelijk is voor de veiligheid van deze mensen. Let op dat kinderen niet met het apparaat spleen.

Water

Breng het apparaat of de stroomkabel niet in zijn geheel onder water. Gebruik het apparaat niet met natte handen of in vochtige ruimtes.

Gebruik en omgeving

Gebruik het apparaat niet buitenshuis. Gebruik niet precies onder een stopcontact. Et is niet de bedoeling dat er gebruik wordt gemaakt van een externe timer of een aparte afstandbediening om het apparaat te besturen. Het apparaat is speciaal en exclusief voor een situatie binnen huis ontworpen en is niet geschikt voor commercieel en industrieel gebruik. Gebruik dit apparaat nergens anders voor, dan waar het voor bedoeld is. Gebruik het apparaat alleen op een stabiel, vlak en hittebestendig oppervlak.

Waarschuwing Verwondingen

WAARSCHUWING: Mogelijke verwondingen door fout gebruik! Raak bewegende onderdelen niet aan. Zet het apparaat uit en verwijder de stroomkabel voordat u het apparaat uit elkaar wilt halen of bewegende delen aan wilt raken.

Beschadigd of Gevallen

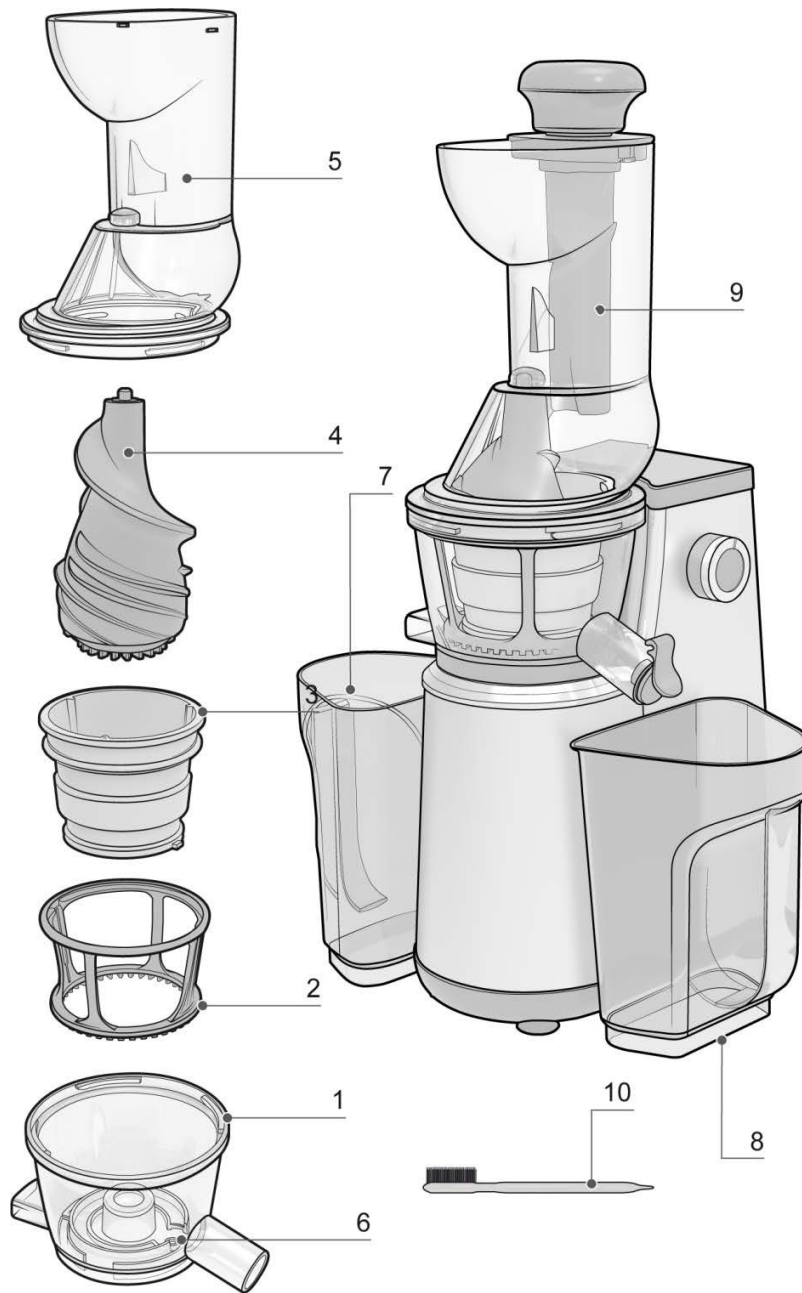
Onderzoek het apparaat altijd voor gebruik. Controleer of alle onderdelen correct zijn bevestigd. Gebruik het apparaat niet indien deze beschadigd, gevallen, buiten bewaard of nat geweest is. Breng het apparaat in dat geval terug naar een geautoriseerd service bureau voor onderzoek en reparatie.

Het apparaat mag niet worden gebruikt als het is gevallen, er zijn duidelijke tekenen van schade zichtbaar of er zijn lekken.

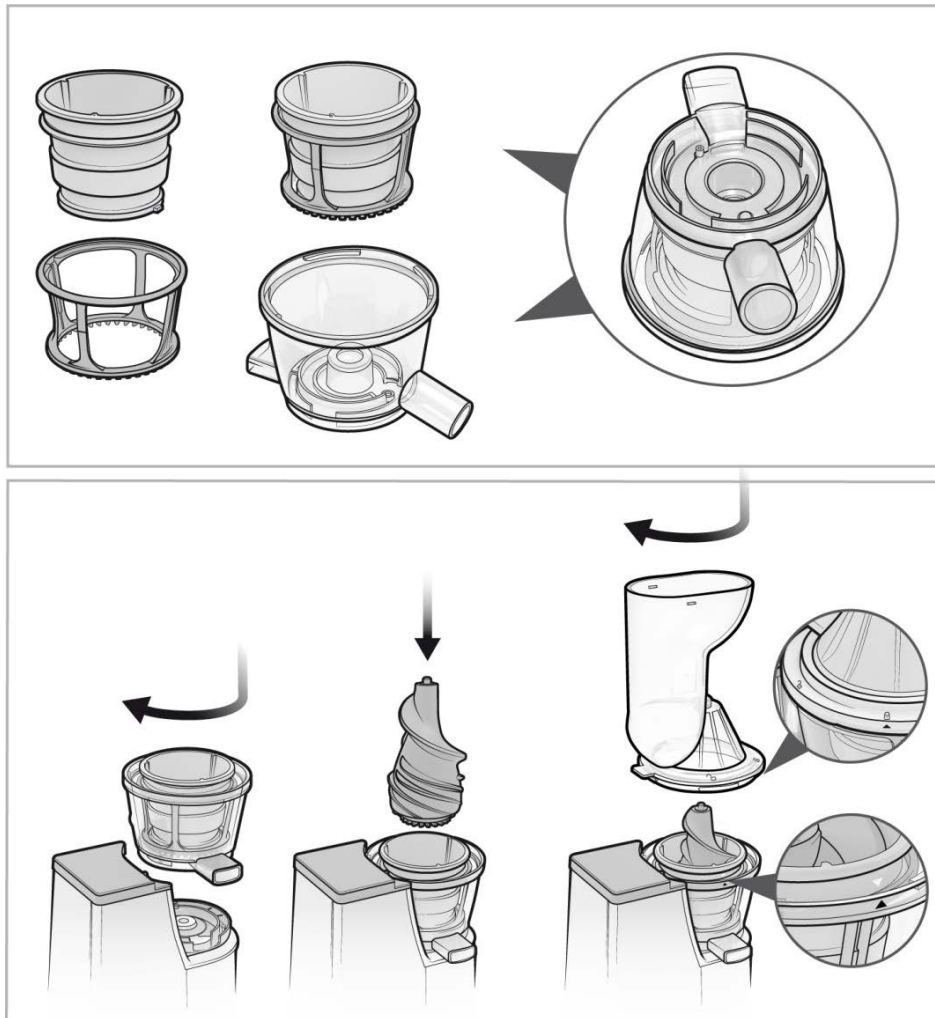
VOOR EERST GEBRUIK

Veeg voorzichtig de stof van de buitenkant van het apparaat. Droog met een droge handdoek. Gebruik geen agressieve schoonmaakmiddelen. Verwijder labels en stickers. Was de onderdelen in een warme sop, droog met een droge handdoek. De stroomkabel en de apparaatmotor mogen niet in onderwater gehouden worden of welke andere vloeistof dan ook. Dit apparaat heeft een ingebouwd veiligheidsslot; deze zorgt ervoor dat het apparaat alleen functioneert als alle onderdelen correct zijn geïnstalleerd. Als alle onderdelen correct zijn geïnstalleerd, zal het veiligheidsslot geopend worden.

DE PERSER IN ELKAAR ZETTEN



1. Bowl
2. Zeef houder
3. Zeef
4. Juice vijzel
5. Deksel
6. Rubber pad
7. Pulp container
8. Juice container
9. Pusher
10. Schoonmaakborsteltje



BELANGRIJK: Als de perskom en deksel niet correct zijn vastgemaakt, zal de perser niet functioneren. Dit is een veiligheidsmaatregel. Druk zachtjes op de 'R' knop om de perser te stoppen, te hard rukken op de knop zal de motor of perser beschadigen. Het product verbiedt de stationaire positie bij het toevoegen van vruchten en groenten.

GEBRUIK VAN UW SLOW JUICER

Deze Slow Juicer is geschikt voor het persen van selderij, spinazie, wortels, appels, bananen, tomaten, komkommers, peren en andere vruchten en groenten met sap, met uitzondering van vruchten en groenten die zetmeel bevatten en met uitzondering van rietsuiker. Vergeleken met de traditionele persmachines, is het percentage uitgeperste sap door het langzame persproces van de Slow Juicer verbeterd.

1. Maak het fruit grondig schoon, klaar om te persen.
2. Indien u fruit perst met harde pitten of een harde schil dienen deze oneetbare onderdelen eerst verwijderd te worden. Denk aan de schil van een meloen, ananas en mango. Indien u citrusvruchten gebruikt, dient ook hiervan eerst de schil te worden verwijderd voor u met persen begint.
3. Als stukken fruit en groente groot zijn, dient u deze in kleinere stukken te hakken, zodat ze in de voedseltoevoer passen.
4. Zorg ervoor dat de veiligheidsklemmen geplaatst zijn op de persdeksel.
5. Zet de schakelaar op 'On' om vruchten te persen.
6. Druk de voedselaandrukker langzaam naar beneden totdat al het voedsel door de perser is gekomen. Druk de voedselaandrukker niet te snel, aangezien dit ten koste gaat van de kwaliteit van de pers.

7. WAARSCHUWING: Stop uw hand of welk ander object niet in de voedseltoevoer wanneer u aan het persen bent.
8. Het sap van het fruit en/of groente vloeit direct in uw pers beker en het vruchtvlees en andere resten worden opgeslagen in het vluchtvlees deposito.
9. Als het persen voltooid is, zorg er dan voor dat de schakelaar op 'Off' wordt gezet. De stroom eraf is en de kabel uit het stopcontact is. Als dit zo is, is het apparaat veilig uit elkaar te halen.
10. Als de perskom vast zit en niet verwijderd kan worden van de basis, druk dan 3-5 seconden op de 'reverse R' knop. Doe dit 2-3 keer. Druk de kom dan in een draaibeweging omhoog.
11. Het vergiet is uitgerust met een automatische schoonmaak borstel.
12. Haal de perser in de volgende volgorde uit elkaar:
 - i. Verwijder de voeselaandrukker.
 - ii. Verwijder de deksel.
 - iii. Verwijder de persboor.
 - iv. Verwijder het vergiet en de vergiethouder.
 - v. Verwijder de perskom.

TIPS VOOR HET PERSEN

Snij voedselstukken in kleine stukjes om het pers proces te optimaliseren. Voer geen ijs of bevroren fruit in de voedseltoevoer. Stop voedsel in de voedseltoevoer. Druk niet te hard. De voedseldrukker is perfect te gebruiken als voedsel vast komt te zitten.

Voeg het voedsel op een normaal tempo toe, waardoor al het sap en de resten gescheiden kunnen worden. Heb geen haast. Als u groene groente of tarwegras perst, bevelen wij u aan om dit te mixen met fruit of andere harde groenten voor ene optimaal resultaat. Pers noten alleen met ander voedsel, zoals geweekte sojabonen of vloeistoffen.

Het sap van vers fruit en verse groenten heeft een hoge voedingswaarde. Sap van deze vruchten is

een belangrijk onderdeel van een gebalanceerd dieet.

Bij het selecteren van fruit en groente voor het persen, dient u altijd vers en goedgerijpte vruchten te gebruiken. Verse fruit en groeten hebben meer smaak en sap dan vruchten die niet goedgerijpt zijn. Het sap is het beste te gebruiken wanneer het net geperst is, omdat het op dat moment de meeste vitaminen en mineralen bevat.

Uw perser kan de meeste soorten fruit en groente persen. Als u fruit met een harde, oneetbare, schil gebruikt (meloenen, ananassen, mango's etc.), zorg er dan voor dat u de schil verwijdert voordat u het fruit in de perser plaatst. De schil van citrus vruchten zouden ook verwijderd moeten worden alvorens deze in de perser geplaatst worden. Voor een betere smaak van de sap van de citrusvrucht dient ook het binnenste witte gedeelte van de vruchten met pitten of harde delen verwijderd moeten worden. Dit verwijderen van de pit geldt ook voor meloenen, nectarines, kersen etc. Een klein beetje citroen kan worden toegevoegd om te voorkomen dat de sap bruin kleurt. Het persen van bananen kan moeilijk zijn. Als u bananen perst, zorg er dan voor dat deze het eerste of het tweede ingrediënt vormen van een verzameling ingrediënten. Op deze manier mengt de bananenpulp zich met de andere sappen.

De perser is niet geschikt voor het persen van harde en zetmeel bevattende groente- en fruitsoorten, zoals rietsuiker. Wanneer u fruit en groenten perst met verschillende hardheden, kan het handig zijn om bepaalde combinaties te persen, zoals eerst zachte vruchten (bijv: sinaasappels) en daarna hardere vruchten (bijv: appels). Door te persen op deze manier wordt de maximale sappersing bereikt. Als u kruiden en/of bladderige groenten perst, dient u hiervan een geheel te maken door ze samen te bundelen voordat u deze in de perser plaatst. U kunt deze vruchten en groenten ook combineren met andere ingrediënten op een lage snelheid.

Haal de vruchten 10 tot 15 minuten voordat ze in de extractor worden ingebracht.

LET OP: De perser functioneert alleen naar behoren als alle delen correct zijn geïnstalleerd en de deksel goed is bevestigd.

ONDERHOUD

Regelmatig onderhoud van het apparaat zorgt ervoor dat deze veilig blijft werken en goed blijft functioneren.

Alle accessoires zijn machinewasbaar (max. 80°)

Voor het Schoonmaken

Wanneer u het apparaat niet gebruikt, of voor het schoonmaken, dient u ten alle tijden de stroomtoevoer naar het apparaat te verwijderen.

Schoonmaken

Was de verwijderbare onderdelen in een warme sop, waarna alle onderdelen afgespoeld en gedroogd kunnen worden. Maak regelmatig de buitenkant van het apparaat schoon met een zachte vochtige doek en droog deze met een droge handdoek.

WAARSCHUWING: Om schade aan het apparaat te voorkomen dient u geen agressieve schoonmaakmiddelen, harde sponsjes en borstels te gebruiken bij het schoonmaken.

Dompel de motor van het apparaat of de stroomkabel niet onder water.

Beschadiging Controle

Controleer altijd of het apparaat op de goede volgorde in elkaar is gezet en dat alle verwijderbare onderdelen veilig zijn geïnstalleerd. Controleer ook regelmatig of de stroomkabel en plug niet is beschadigd.

Veilig Opbergen

Als het apparaat niet in gebruik is dienen alle accessoires en de gebruiksaanwijzing op een veilige en droge plek te worden opgeborgen.

GARANTIE

De garantieperiode op onze producten is 2 jaar, tenzij anders vermeld, beginnend vanaf de datum van de initiële aankoop of bezorgdatum.

Als u problemen of vragen heeft, kunt u eenvoudig onze hulppagina's bezoeken voor tips om problemen op te lossen, de FAQ's en andere gebruikershandleidingen op onze website:

<https://sav.hkoenig.com>.

Door de referentiernaam van uw apparaat in de zoekbalk te typen, krijgt u toegang tot alle beschikbare online hulpmiddelen, ontworpen om aan uw behoeften te voldoen.

Als u toch niet geen antwoord op uw vraag kunt vinden, klik dan op "Heeft het antwoord uw probleem opgelost? Hierdoor gaat u naar het Aanvraagformulier voor Klantenondersteuning, dat u in kunt vullen om uw verzoek te valideren en hulp te ontvangen.

GARANTIEVOORWAARDEN

De garantie dekt alle mankementen die voortkomen uit normaal gebruik, volgens de sectie gebruik en specificaties in de gebruikershandleiding.

Deze garantie omvat niet verpakkings- of transportproblemen tijdens het vervoer van het product door de eigenaar. Het omvat ook niet de normale slijtage van het product, noch het onderhoud of vervangen van verbruiksartikelen.

UITSLUITINGEN VAN DE GARANTIE

- Accessoires en verbruiksartikelen (*).
- Normaal onderhoud van het apparaat.
- Alle mankementen veroorzaakt door verkeerd gebruik (schokken, het niet opvolgen van de aanbevolen stroomvoorziening, in slechte omstandigheden gebruiken, etc.), onvoldoende onderhoud of ondeugdelijk gebruik van het apparaat, alsook het gebruik van ongeschikte accessoires.
- Schade van buitenaf: vuur, waterschade, elektrische stroompiek, etc.
- Apparaten die uit elkaar zijn gehaald, ook gedeeltelijk, door personen die niet er niet gekwalificeerd voor zijn (zoals de gebruiker).
- Producten waarvan het serienummer verdwenen, beschadigd of onleesbaar is, waardoor we het niet kunnen identificeren.
- Producten die verhuurd werden of ter demonstratie of showmodel waren.

(*). Sommige onderdelen van uw apparaat, genaamd verbruiksartikelen, slijten naar verloop van tijd en bij veel gebruik van uw apparaat. Deze slijtage is normaal, maar kan verergerd worden door slechte omstandigheden of onderhoud van uw apparaat. Deze onderdelen worden daarom niet gedekt door de garantie.

De accessoires meegeleverd met het apparaat zijn ook uitgesloten van de garantie. Ze kunnen niet vervangen of gerestitueerd worden. Echter, sommige accessoires zijn te koop via onze website: <https://sav.hkoenig.com/>.

MILIEU

ATTENTIE:



Dit apparaat mag niet met uw ander huishoudelijke toestellen worden verwijderd. Dit product moet op een geselecteerde stortplaats verwijderd worden. U kunt bij de gemeente een indiceerde plaats aanvragen. Elektrisch en elektronische producten kunnen gevaarlijke stoffen inhouden die schadelijk zijn voor mensen en het milieu en moet recycled worden. Het symbool aan de kant geeft aan dat het een elektrisch en elektronisch toestel is en zijn dus artikelen van een selectieve collectie. Het beeld geeft een afvalbak met een X teken aan.

Adeva SAS / H.Koenig Europe - 8 rue Marc Seguin, 77290 Mitry-Mory, France
www.hkoenig.com - <https://en.hkoenig.com> - Tél: +33 1 64 67 00 05

ESPAÑOL

INSTRUCCIONES DE SEGURIDAD IMPORTANTES LEA Y GUARDE PARA REFERENCIA FUTURA

Lea atentamente este manual antes de usar este dispositivo. Asegúrese de que conoce cómo funciona el dispositivo y cómo hacerlo funcionar. Mantenga el dispositivo de acuerdo con las instrucciones para asegurarse de que funciona correctamente.

Guarde este manual con el dispositivo. Si el dispositivo será utilizado por un tercero, entréguelo con este manual de instrucciones.

Las instrucciones de seguridad no eliminan por sí mismas ningún peligro por completo y siempre se deben utilizar medidas de prevención de accidentes. No se aceptará responsabilidad alguna por cualquier daño causado por el incumplimiento de estas instrucciones o cualquier otro uso indebido o mal manejo del dispositivo.

No utilice este dispositivo si se ha caído o dañado de alguna manera, o si el cable de alimentación está dañado.

Introducción del producto:

El exprimidor lento es un nuevo tipo de dispositivo de baja velocidad y de lento proceso de frutas y verduras. Este nuevo Exprimidor separa el jugo y la pulpa con dos salidas diferentes. Esta máquina es conveniente para el apio, espinacas, zanahorias, manzanas, plátanos, tomates, pepinos, pera de bálsamo; todos necesitamos de jugo de frutas y verduras; sin embargo, no use este exprimidor con frutas y verduras que contienen almidón

y tampoco lo use para la caña de azúcar. En comparación con el exprimidor tradicional, el proceso lento de este Exprimidor maximiza el rendimiento de las verduras y del jugo de frutas.

Asegúrese de tener todas las partes antes de deshacerse de cartón. Deseche de forma segura todas las bolsas de plástico y otros componentes del embalaje. Estos pueden ser potencialmente peligrosos para los niños .

PRECAUCIÓN

1. Este aparato puede ser utilizado por personas con capacidades físicas, sensoriales o mentales reducidas o con falta de experiencia o conocimientos, siempre que sean supervisadas o instruidas en el uso seguro del aparato y que entiendan perfectamente los peligros potenciales.
2. Si el cable de alimentación está dañado, debe ser sustituido por un servicio post-venta para evitar cualquier peligro.
3. La limpieza y mantenimiento de la máquina no debe ser efectuada por niños a menos que tengan como mínimo 8 años de edad y cuenten con la supervisión de un adulto.
4. Mantenga el aparato y su cable eléctrico fuera del alcance de niños de menos de 8 años.
5. Al utilizar equipos eléctricos, siempre se deben tomar precauciones de seguridad para evitar el riesgo de incendio, descarga eléctrica y/o lesiones en caso de uso indebido.
6. Asegúrese de que la tensión nominal de la placa de

características corresponde a la tensión de red de su instalación. Si no es así, póngase en contacto con el distribuidor y no conecte la unidad.

7. Nunca deje la unidad desatendida mientras esté en funcionamiento.
8. Este aparato está destinado al uso en hogares y áreas similares, como :
 - zonas de cocina en tiendas, oficinas y otros entornos de trabajo
 - en casas de campo
 - en hoteles, moteles y otras zonas residenciales
 - habitaciones de huéspedes.

SEGURIDAD ELÉCTRICA Y GENERAL

Cuando se utilizan dispositivos eléctricos respete siempre las normas de seguridad para reducir el riesgo de incendio, descarga eléctrica y lesiones personales.

Compruebe siempre que la fuente de alimentación corresponde con el voltaje indicado en la placa de características.

Cable de alimentación y enchufe

Siempre desenchufe del suministro de corriente cuando no esté en uso. No dañar el cable de alimentación. Si el cable de alimentación está dañado, debe ser reemplazado por el fabricante o su agente de servicio o una persona igualmente calificada a fin de evitar cualquier peligro.

Seguridad de aislamiento doble

Este dispositivo tiene doble aislamiento para su protección. No trate de reparar un dispositivo de doble aislamiento por su propia cuenta.

Supervisión

Este dispositivo no está diseñado para ser utilizado por personas (incluidos niños) con capacidades físicas, sensoriales o mentales disminuidas, o con falta de experiencia y conocimiento, a menos que sean supervisados o instruidos acerca del uso del dispositivo por una persona responsable de su seguridad.

Los niños deben ser supervisados para asegurarse de que no jueguen con el dispositivo.

Agua

No sumerja el dispositivo o el cable de alimentación en agua. No lo utilice con las manos mojadas ni en lugares húmedos.

Uso y Medio Ambiente

No usar en exteriores. No utilice directamente debajo de una toma de corriente. Este dispositivo no está diseñado para ser operado por medio de un temporizador externo o un sistema de control remoto independiente. Este dispositivo ha sido diseñado exclusivamente para su uso privado, doméstico y no es adecuado para el uso comercial o industrial. No use este dispositivo más que para su uso previsto. Sólo utilice el dispositivo sobre una superficie plana, estable y resistente al calor.

Precauciones ante lesiones

ADVERTENCIA: ¡lesiones potenciales por un mal uso! Evite el contacto con todas las partes móviles. Apague el dispositivo y desenchúfelo antes de cambiar accesorios o acercarse a las piezas que se mueven durante su uso.

Daños o caídas

Siempre inspeccione el dispositivo antes de utilizarlo. Asegúrese de que todas las partes están conectadas correctamente. No utilice este dispositivo si se ha dañado, caído, dejado al aire libre o se ha caído en el agua. Lleve la unidad a un distribuidor de servicio autorizado para su revisión y reparación.

El dispositivo no debe utilizarse si se ha caído, si hay signos evidentes de daño o si hay fugas.

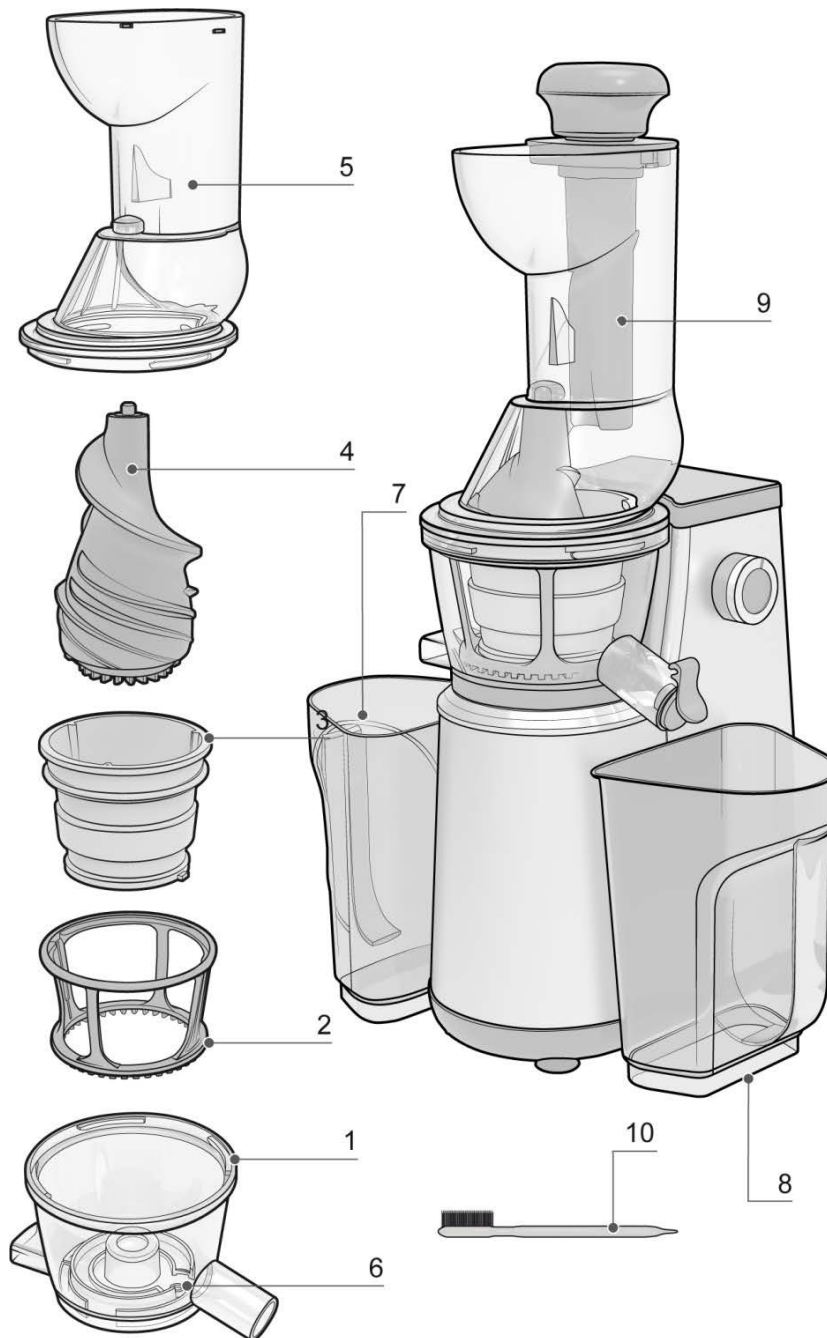
ANTES DEL PRIMER USO

Limpie cuidadosamente el exterior del dispositivo para eliminar el polvo que se haya acumulado. Seque con una toalla seca y no use limpiadores abrasivos.

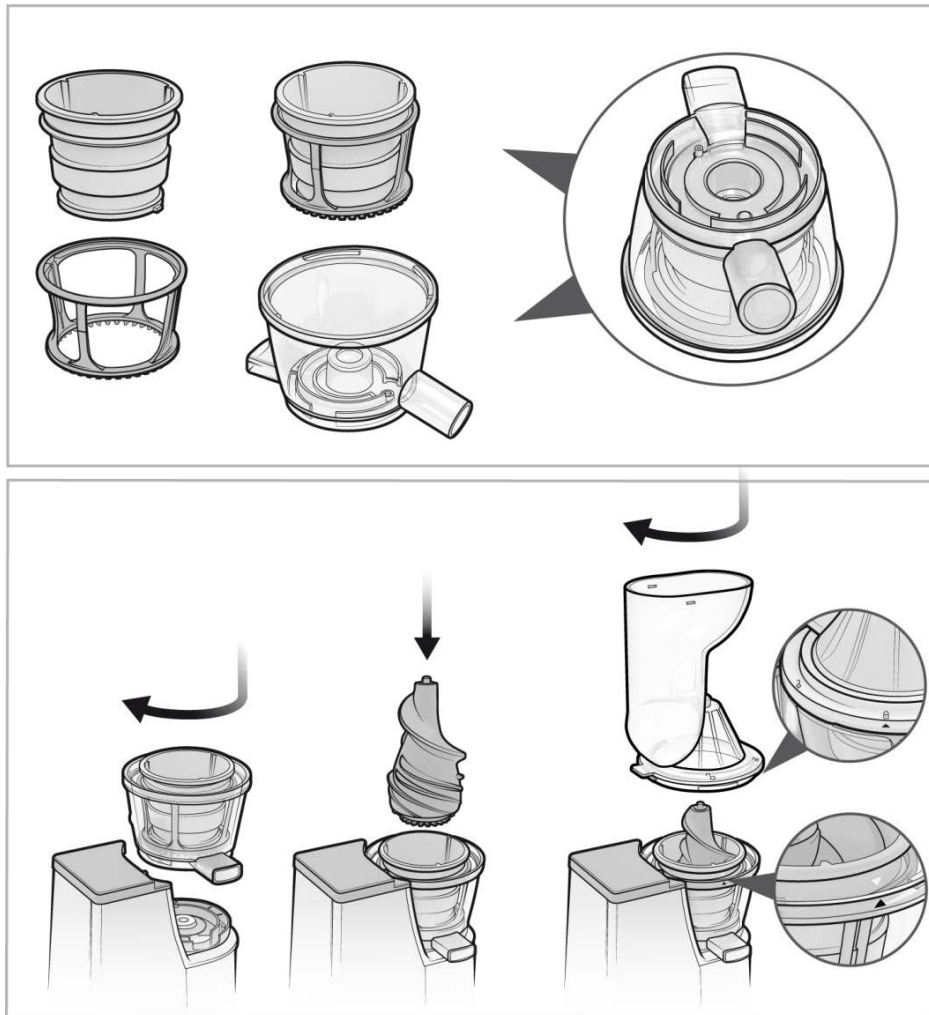
Retire toda etiqueta o etiquetas engomadas. Lave los accesorios en agua tibia y jabón y séquelos. No sumerja el cable de alimentación o parte del motor de este dispositivo en agua o cualquier otro líquido.

Este dispositivo cuenta con un bloqueo de seguridad incorporado; esta característica asegura de que sólo se pueda encender el dispositivo si ha montado el exprimidor correctamente en el motor. Una vez montado correctamente, se desbloqueará la cerradura de seguridad integrada.

MONTAJE DEL EXPRIMIDOR



1. Tazón
2. Soporte del Colador
3. Colador
4. Jugo de barrena
5. tapa
6. almohadilla de goma Contenedor
7. Pulpa Contenedor
8. Jugo
9. Pusher
10. Cepillo Limpieza



IMPORTANTE : Si el recipiente de jugo y la tapa no se montan correctamente, el exprimidor no funcionará. Esta es una medida de seguridad. Presione el botón " R" ligeramente para detener el exprimidor, si lo presiona demasiado puede dañar el motor. No haga funcionar el dispositivo si este no ha sido rellenado antes de frutas y verduras.

USO DEL EXPRIMIDOR

Esta máquina es conveniente para el apio, espinacas, zanahorias, manzanas, plátanos, tomates, pepinos, pera de bálsamo; todos necesitamos el jugo de frutas y verduras; sin embargo, no use este exprimidor con frutas y verduras que contienen almidón y tampoco lo use para la caña de azúcar. En comparación con el exprimidor tradicional, el proceso lento de molienda de este Exprimidor maximiza el rendimiento de los vegetales y zumo de las frutas.

- 1 . Limpie a fondo las frutas y verduras.
- 2 . Si las frutas tienen hueso o semillas duras, retire toda piel dura y no comestible, como la piel de melones, piñas y mangos antes del exprimido. Si se usa frutas cítricas, quite la piel antes de extraer el jugo.
- 3 . Si las piezas de fruta o verduras son muy grandes, cortarlas a un tamaño que se ajuste al conducto de alimentos del exprimidor.
- 4 . Asegúrese de que las abrazaderas de seguridad se coloquen en su posición en la parte superior de la tapa del exprimidor.
- 5 . Gire el interruptor de control a la posición ON para exprimir las frutas.
- 6 . Presione el empujador de alimentos lentamente hacia abajo hasta que todas las frutas y verduras hayan pasado por el exprimidor. No presione el empujador de alimentos rápidamente ya que el exprimidor perderá eficacia.

7 . PRECAUCIÓN : no coloque sus manos o cualquier otro objeto en el conducto de alimentos durante la operación.

8 . El jugo de la fruta y / o verduras fluirá directamente a la taza de jugo y la pulpa al recipiente de pulpa.

9 . Cuando la extracción se haya completado, asegúrese de que el interruptor de control de la licuadora esté en la posición OFF, el dispositivo está apagado desenchufado. Ahora es seguro desmontarlo.

10 . Si el recipiente de jugo está atascado y no se separa de la base, Presione durante 3-5 segundos el botón "R". Repita el proceso 2-3 veces. A continuación, empuje hacia arriba el recipiente mientras lo gira.

11 . El colador está equipado con un cepillo de limpieza automática. 12 . Desmunte el exprimidor en el siguiente orden:

i . Retire el empujador de alimentos. ii . Retire la tapa.

iii . Retire la barrena

iv . Retire el soporte del colador y el colador .

v. Retire el recipiente de jugo

CONSEJOS PARA EXPRIMIR

Cortar los alimentos en trozos pequeños para una extracción óptima. No ponga frutas congeladas en el tubo de alimentación. No presione en exceso.

Introduzca los alimentos a una velocidad regular, permita que toda la pulpa sea procesada para una máxima eficiencia, no se apresure.

Cuando quiera extraer el jugo de trigo o verduras de hoja verde, se sugiere que usted los mezcle con frutas u otros vegetales duros para obtener resultados óptimos.

Procese nueces sólo con otros alimentos como la soja o líquidos.

El jugo de las frutas y hortalizas frescas es alto en contenido nutricional. El jugo de estas es parte importante de una dieta equilibrada.

Al seleccionar frutas y verduras para el proceso, seleccione siempre frutos y vegetales frescos y bien maduros. Estos tienen más sabor y jugo que los que no están maduros. El jugo es mejor cuando se consume recién hecho, ya que es cuando su contenido de vitaminas y minerales es más alto.

Su exprimidor puede procesar la mayoría de las variedades de frutas y verduras. Si se utiliza fruta con piel dura, no comestibles (es decir, sandías , piñas, mangos , etc.) siempre pelar la piel antes de colocar en el exprimidor. La piel de los cítricos también se debe quitar antes de colocar la fruta en el exprimidor. Para una mejor degustación de zumo de cítricos, también quitar la cáscara blanca interior de la fruta. Frutas con huesos o semillas duras (es decir, mangos, nectarinas, albaricoques y cerezas) deben ser deshuesadas antes de ser procesadas. Una pequeña cantidad de limón se puede añadir al jugo de manzana para evitar que se oscurezca. El plátano puede ser difícil de exprimir, si se utiliza, agréguelo como primer o segundo ingrediente, el néctar del plátano fluirá a través en el jugo creado a partir de las otras frutas.

El exprimidor no es adecuado para extraer el jugo de frutas o vegetales muy duros y almidonados como la caña de azúcar. Cuando extraiga el jugo de frutas y verduras de diferente

consistencia, quizás le ayude probar diferentes combinaciones como el jugo de fruta suave primero (naranjas) y siga con la fruta dura (manzanas). Esto le ayudará a alcanzar la máxima extracción de jugo. Si quiere procesar hierbas o verduras de hoja verde, envuélvalos juntos para formar un manojo antes de colocar en el exprimidor o combinarlos con otros ingredientes a velocidad baja.

Saque la fruta de 10 a 15 minutos antes de insertarla en el extractor.

NOTA : El exprimidor sólo funcionará correctamente si todas las piezas están en su posición correcta.

MANTENIMIENTO

Un mantenimiento regular del dispositivo asegurará que este se mantenga en buenas condiciones y con un funcionamiento apropiado.

Todos los accesorios son lavables a máquina (máx. 80°)

Antes de limpiar

Desconecte siempre el dispositivo de la red eléctrica cuando no esté en uso y antes de limpiarlo.

Limpieza

Lave las piezas desmontables con agua tibia y jabón y luego enjuague y seque todas las partes. Limpie periódicamente el exterior del dispositivo con un paño suave y húmedo y secar con una toalla seca.

PRECAUCIÓN: Para evitar daños en el dispositivo no utilice líquidos abrasivos o agentes de limpieza alcalinos de ningún tipo.

No sumerja el cable o el dispositivo en agua o cualquier otro tipo de líquido.

Revisión de daños

Compruebe siempre que el dispositivo se encuentra en buen estado de funcionamiento y que todas las piezas desmontables están bien colocadas en sus respectivos lugares. Compruebe el cable de alimentación y enchufe regularmente para asegurarse de que no tengan cortes o daños.

Guarde en un lugar seguro

Cuando el dispositivo no esté en uso, guárdelo junto a todos sus accesorios y manual de instrucciones en un lugar seguro y seco.

GARANTÍA

El periodo de garantía de nuestros productos es de 2 años, salvo que la ley estipule lo contrario, a partir de la fecha de la compra inicial o de la fecha de entrega.

Si tiene algún problema o pregunta, puede acceder fácilmente a nuestras páginas de ayuda, consejos para solucionar problemas, preguntas frecuentes y manuales de usuario en nuestro sitio de servicio: <https://sav.hkoenig.com>.

Al escribir el nombre de referencia de su dispositivo en la barra de búsqueda, puede acceder a toda la asistencia en línea disponible, diseñada para satisfacer mejor sus necesidades.

Si sigue sin encontrar una respuesta a su pregunta o problema, haga clic en "¿La respuesta ha resuelto su problema? Esto le llevará al formulario de solicitud de asistencia posventa, que puede rellenar para validar su solicitud y obtener ayuda.

CONDICIONES DE GARANTÍA

La garantía cubre todos los fallos que se produzcan en el contexto de un uso normal, de acuerdo con los usos y especificaciones del manual de usuario.

Esta garantía no se aplica a los problemas de embalaje o transporte durante el envío del producto por parte del propietario. Tampoco incluye el desgaste normal del producto, ni el mantenimiento o la sustitución de piezas consumibles.

EXCLUSIÓN DE GARANTÍA

- Accesorios y piezas de desgaste (*).
- Mantenimiento normal del aparato.
- Todas las averías derivadas de un uso incorrecto (golpes, incumplimiento de las recomendaciones de alimentación eléctrica, malas condiciones de uso, etc.), de un mantenimiento insuficiente o de un mal uso del aparato, así como del uso de accesorios inadecuados.
- Daños de origen externo: incendio, daños por agua, sobrecarga eléctrica, etc.
- Cualquier equipo que haya sido desmontado, incluso parcialmente, por personas que no estén autorizadas a hacerlo (en particular el usuario).
- Productos cuyo número de serie falte, esté dañado o sea ilegible, lo que no permitiría su identificación.
- Productos sujetos a alquiler, demostración o exposición.

(*) Algunas piezas de su aparato, conocidas como piezas de desgaste o consumibles, se deterioran con el tiempo y la frecuencia de uso de su aparato. Este desgaste es normal, pero puede acentuarse por las malas condiciones de uso o de mantenimiento de su aparato. Por lo tanto, estas piezas no están cubiertas por la garantía.

Los accesorios suministrados con el aparato también están excluidos de la garantía. No se pueden cambiar ni reembolsar. No obstante, algunos accesorios pueden adquirirse directamente en nuestro sitio web: <https://sav.hkoenig.com/>

MEDIO AMBIENTE

ATENCIÓN:



No se deshaga de este producto como lo hace con otros productos del hogar. Existe un sistema selectivo de colecta de este producto puesto en marcha por las comunidades, debe de informarse en su ayuntamiento acerca de los lugares en los que puede depositar este producto. De hecho, los productos eléctricos y electrónicos pueden contener sustancias peligrosas que tienen efectos nefastos para el medio ambiente o para la salud humana y deben ser reciclados. El símbolo aquí presente indica que los equipos eléctricos o electrónicos deben de ser cuidadosamente seleccionados, representa un recipiente de basura con ruedas marcado con una X.

Adeva SAS / H.Koenig Europe - 8 rue Marc Seguin, 77290 Mitry-Mory, France
www.hkoenig.com - <https://sac.hkoenig.com/> - Tél: +33 1 64 67 00 05

ITALIANO

IMPORTANTI ISTRUZIONI DI SICUREZZA LEGGERE ATTENTAMENTE E CONSERVARE PER RIFERIMENTI FUTURI

Leggere attentamente questo manuale prima di utilizzare l'apparecchio. Assicurarsi di conoscere le funzioni dell'apparecchio e come metterle in azione. Per assicurare il suo corretto funzionamento, conservare l'apparecchio come riportato in questo manuale.

Conservare questo manuale con l'apparecchio. Si prega di consegnare questo manuale nel caso in cui l'apparecchio dovesse essere utilizzato da una terza persona. Seguire tutte le istruzioni di sicurezza non elimina completamente ogni pericolo; per questo motivo bisogna agire comunque usando le dovute precauzioni per prevenire incidenti.

Nessuna responsabilità può essere attribuita al produttore per eventuali danni causati dalla mancata osservanza di queste istruzioni o da qualsiasi altro uso improprio o maltrattamento dell'apparecchio o delle sue parti.

Non usare questo apparecchio in seguito a una caduta o se è stato danneggiato in qualsiasi modo, o se il cavo di alimentazione è danneggiato.

Presentazione dell'apparecchio:

Slow Juicer è un nuovo tipo di frullatore a bassa velocità che adopera lentamente per macinare la frutta e la verdura. Questo nuovo Juicer separa il succo dalla polpa con due uscite differenti. Questo apparecchio è adatto per frullare: sedano, spinaci, carote, mele, banane, pomodori, cetrioli, pere, ecc. Questo apparecchio è adatto per ogni tipo di succo di frutta e

verdura, ma non per quelle che contengono amido. Si prega di non utilizzare questa macchina per spremere lo zucchero di canna. Rispetto agli spremitori/centrifughe tradizionali, lo Slow Juicer agisce con un processo di macinazione lento in modo da estrapolare la massima quantità di succo da ogni tipo di frutta o verdura.

Verificare che tutte le parti dell'apparecchio siano presenti nella confezione prima di gettarla. Smaltire tutti i sacchetti di plastica e gli altri materiali da imballaggio poiché possono essere potenzialmente pericolosi per i bambini.

ATTENZIONE

1. Questo apparecchio può essere usato da persone con ridotte capacità fisiche, sensoriali o mentali o con mancanza di esperienza o conoscenza, a condizione che siano sorvegliate o istruite sull'uso sicuro dell'apparecchio e che comprendano pienamente i potenziali pericoli.
2. Se il cavo di alimentazione è danneggiato, deve essere sostituito con un servizio post-vendita per evitare ogni pericolo.
3. La pulizia e la manutenzione non devono essere eseguite da bambini a meno che abbiano più di 8 anni e siano sorvegliati da un adulto.
4. Conservare l'apparecchio e il cavo di alimentazione fuori dalla portata di bambini di età inferiore a 8 anni.
5. Quando si utilizzano apparecchiature elettriche, è necessario adottare sempre misure di sicurezza per prevenire il rischio di incendi, scosse elettriche e/o lesioni in caso di uso improprio.
6. Accertarsi che la tensione nominale sulla targhetta

corrisponda alla tensione principale della vostra installazione. In caso contrario, contattare il rivenditore e non collegare l'unità.

7. Non lasciare mai l'unità incustodita durante il funzionamento.
8. Questo apparecchio è destinato all'uso in ambienti domestici e simili, come :
 - cucine di negozi, uffici e altri ambienti di lavoro
 - in case coloniche
 - in alberghi, motel e altre aree residenziali
 - nelle camere degli ospiti.

ISTRUZIONI DI SICUREZZA GENERALI ED ELETTRICHE

Quando si usano apparecchi elettrici osservare sempre le norme di sicurezza per ridurre il rischio d'incendi, scosse elettriche e lesioni personali.

Controllare sempre che la tensione riportata sull'apparecchio corrisponda a quella del vostro impianto elettrico.

Cavo di alimentazione e spina

Staccare sempre l'apparecchio dalla presa elettrica quando non in uso. Non maltrattare o danneggiare il cavo di alimentazione. Se il cavo di alimentazione è danneggiato, deve essere sostituito dal costruttore o da un suo rappresentante o da una persona qualificata, al fine di evitare rischi.

Doppio isolamento di sicurezza

Questo apparecchio è dotato di un doppio isolamento per la vostra protezione. Non tentare di riparare un apparecchio con doppio isolamento.

Supervisione

Questo dispositivo non è destinato all'uso da parte di persone con capacità fisiche, mentali o sensoriali ridotte, o da persone con scarsa conoscenza (inclusi i bambini), salvo che una persona responsabile della loro sicurezza non abbia fornito loro le dovute indicazioni. Accertarsi sempre che i bambini non giochino in prossimità dell'apparecchio.

Acqua

Non immergere mai l'apparecchio o il cavo di alimentazione in acqua o altri liquidi. Non utilizzare mai l'apparecchio con le mani bagnate o in luoghi umidi.

Uso e ambiente

Non utilizzare l'apparecchio all'aperto. Non utilizzare la centrifuga direttamente sotto o affianco a una presa di corrente. Questo apparecchio non è destinato ad essere azionato per mezzo di un timer esterno o un sistema di comando a distanza separato. Questo apparecchio è stato progettato esclusivamente per uso domestico, privato e non è adatto a un uso commerciale o industriale. Non usare questo apparecchio per svolgere funzioni diverse da quelle per cui è stato progettato. Utilizzare l'apparecchio esclusivamente su una superficie piana, stabile e resistente al calore.

Misure precauzionali

AVVERTENZA: potenziali lesioni provocate da un uso improprio! Evitare il contatto con tutte le parti in movimento. Spegnerne l'apparecchio e scollegarlo dalla rete elettrica prima di cambiare gli accessori o quando bisogna avvicinarsi alle parti in movimento.

Cosa fare quando l'apparecchio è danneggiato o è caduto

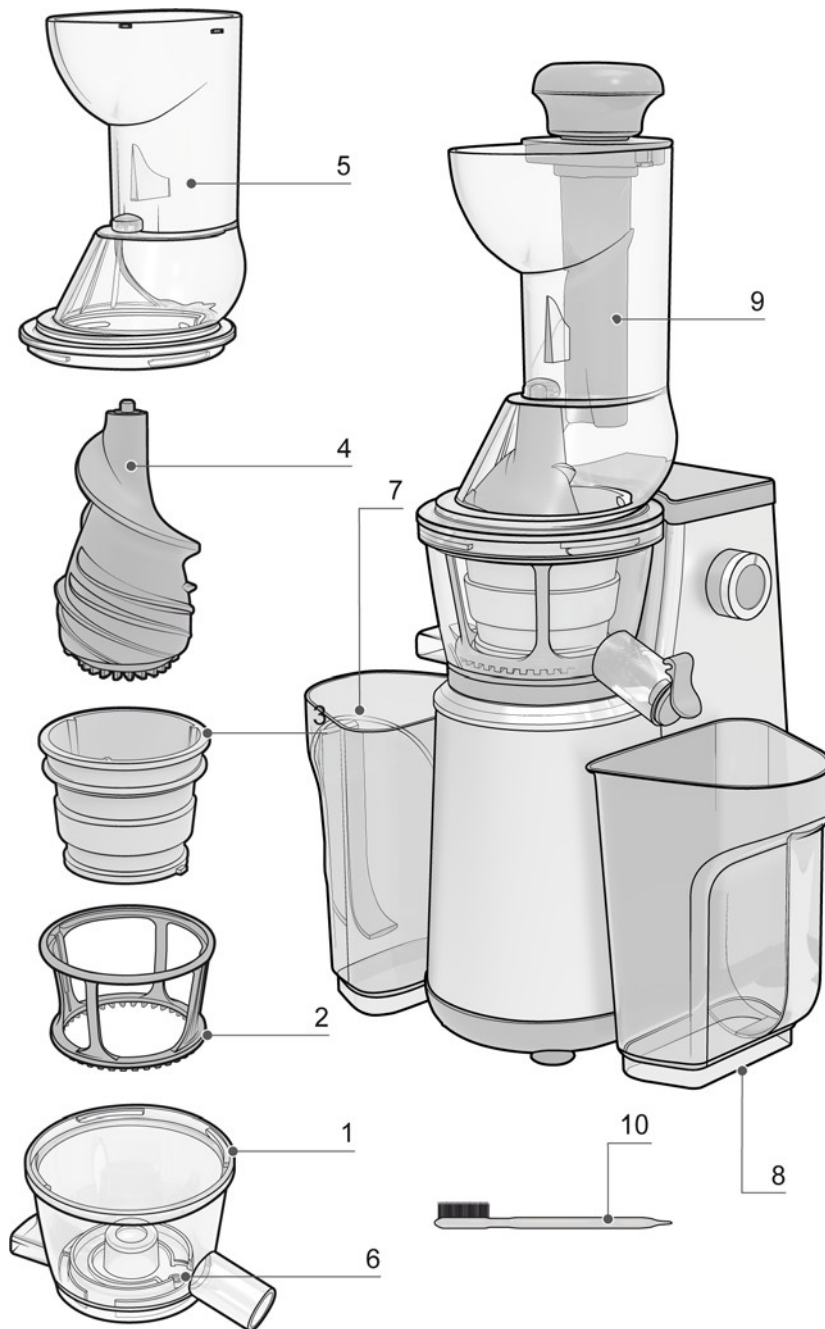
Ispezionare sempre l'apparecchio prima dell'uso. Controllare che tutte le parti siano collegate correttamente. Non usare questo apparecchio se è stato danneggiato, è caduto, è stato lasciato all'aperto o è bagnato. Contattare il rivenditore o il centro assistenza autorizzato per l'esame e la riparazione. Il dispositivo non deve essere utilizzato se è stato lasciato cadere, sono visibili evidenti segni di danneggiamento o se presenta perdite.

PRECEDENTEMENTE AL PRIMO UTILIZZO

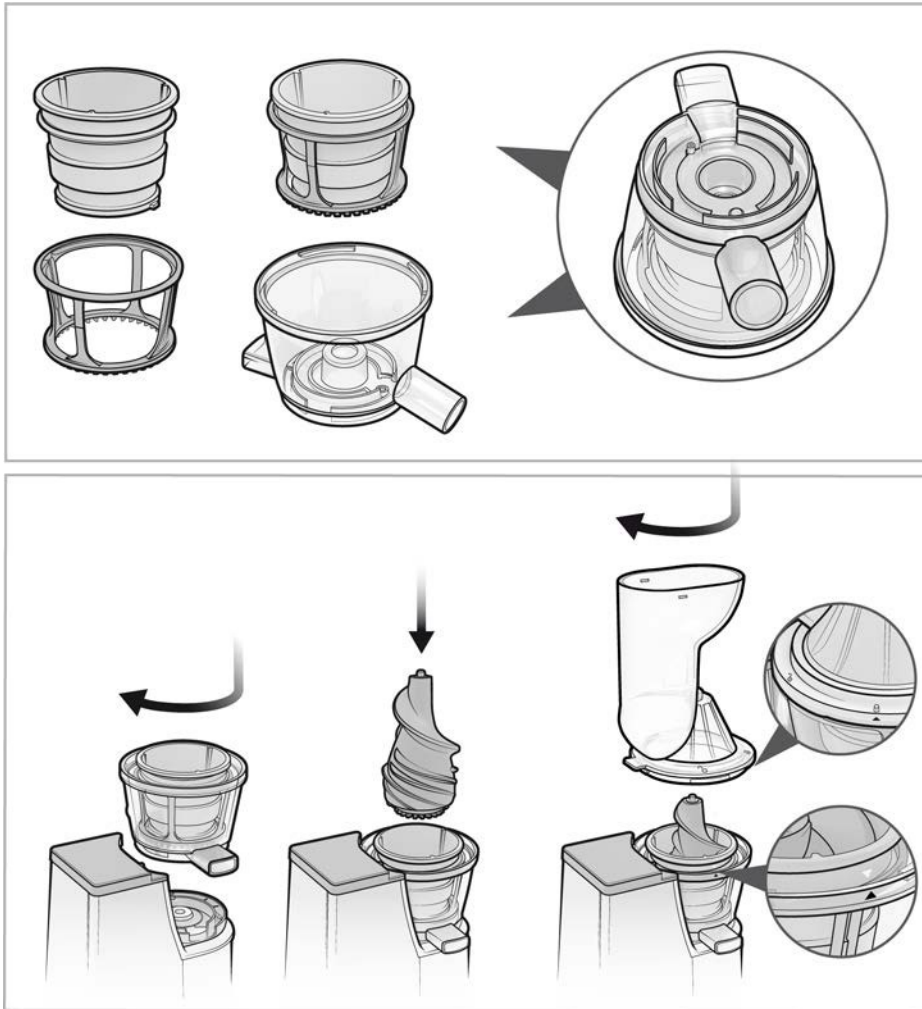
Pulire con cura la parte esterna dell'apparecchio per rimuovere la polvere che potrebbe essersi accumulata. Asciugare con un panno asciutto. Non utilizzare detergenti abrasivi o aggressivi. Rimuovere eventuali etichette o adesivi. Lavare gli accessori in acqua tiepida e sapone e poi asciugare con un panno asciutto. Non immergere il cavo di alimentazione o il blocco motore in acqua o altri liquidi. Questo apparecchio è dotato di un interruttore di sicurezza integrato; questa funzione garantisce che l'apparecchio entri in azione solo se tutte le parti sono state installate correttamente sul blocco motore.

COME ASSEMBLARE L'APPARECCHIO

Prima di assemblare l'apparecchio assicurarsi che il cavo di alimentazione sia staccato.



1. Bowl
2. Strainer holder
3. Strainer
4. Juice auger
5. Lid
6. Rubber pad
7. Pulp container
8. Juice container
9. Pusher
10. Cleaning brush



IMPORTANTE: se il contenitore per il succo e il coperchio non sono montati correttamente, l'apparecchio non funzionerà poiché si attiverà un dispositivo di sicurezza. Per fermare l'apparecchio, si prega di premere leggermente il tasto "R" poiché se si preme in modo troppo deciso, il motore potrebbe danneggiarsi. Evitare di far girare il motore a vuoto senza mettere cibo, poiché questo potrebbe danneggiare l'apparecchio.

COME USARE L'APPARECCHIO

Questo apparecchio è adatto per frullare: sedano, spinaci, carote, mele, banane, pomodori, cetrioli, pere, ecc. Questo apparecchio è adatto per ogni tipo di succo di frutta e verdura, ma non per la frutta e verdura che contengono amido. Si prega di non utilizzare questa macchina per spremere zucchero di canna.

Rispetto agli spremitori/centrifughe tradizionali, lo Slow Juicer agisce con un processo di macinazione lento in modo da estrapolare la massima quantità di succo da ogni tipo di frutta o verdura.

1. Pulire la frutta e la verdura a fondo, pronte per essere centrifugate.
2. Se la frutta contiene noccioli o semi duri, si prega di rimuoverli. Prima della spremitura rimuovere anche eventuali bucce non commestibili, come le scorze di meloni, ananas e mango. Se si utilizzano degli agrumi, togliere la pelle prima della spremitura.
3. Se la frutta o la verdura sono molto grandi, tagliarli in pezzi più piccoli in modo che dopo la spremitura riescano a fuoriuscire facilmente dal beccuccio.
4. Assicursi che i morsetti di sicurezza siano bloccati nella parte superiore del coperchio.
5. Impostare l'interruttore su ON per attivare la centrifuga.

6. Spingere il cibo lentamente con il pestello fino a quando tutta la frutta e la verdura sono passate attraverso il beccuccio. Non premere il cibo troppo rapidamente altrimenti la centrifuga non sarà molto efficace.
7. **ATTENZIONE:** durante il funzionamento non mettere la mano o qualsiasi altro oggetto nella bocca d'inserimento del cibo.
8. Il succo di frutta e/o verdura fluirà direttamente nel contenitore per il succo mentre la polpa verrà raccolta nell'apposito contenitore per la polpa.
9. Quando il succo è pronto, accertarsi di spegnere l'apparecchio impostando l'interruttore su OFF e staccare la spina dalla presa di corrente. Solo a questo punto è possibile smontare le singole parti dell'apparecchio.
10. Se il contenitore per il succo è bloccato e non si stacca dalla base, premere il tasto "R" per 3-5 secondi. Ripetere questo processo per 2-3 volte. Quindi, spingere il contenitore verso l'alto mentre gira.
11. Il filtro è dotato di spazzola per l'auto-pulizia.
12. Smontare l'apparecchio nel seguente ordine:
 - i. Rimuovere il pestello.
 - ii. Rimuovere il coperchio.
 - iii. Rimuovere la trivella.
 - iv. Rimuovere il supporto filtro e il filtro.
 - v. Rimuovere il contenitore per il succo.

CONSIGLI PER UNA MIGLIORE SPREMITURA

Tagliare gli alimenti in piccoli pezzi per un'estrazione ottimale.

Evitare di inserire ghiaccio o cibo surgelato. Mettere la frutta e/o la verdura nella bocca di inserimento del cibo. Non spingere velocemente il cibo col pestello.

Una spinta ottimale evita che il cibo si incastri. Inserire il cibo con moderazione permettendo alla polpa di fluire dal suo canale. Per una maggiore efficienza, non avere fretta.

Per ottenere risultati ottimali, quando si vuole centrifugare verdure a foglia verde o grano, si suggerisce di miscelarli con frutti o altre verdure dure.

Centrifugare le noci solo con altri alimenti tipo la soia (in precedenza inumidita) o a liquidi.

I succhi di frutta e di verdura fresca sono alimenti ad alto contenuto nutrizionale e rappresentano una parte importante di una dieta equilibrata.

Quando si sceglie la frutta e la verdura per la spremitura, selezionare sempre prodotti freschi e ben maturi. La frutta e la verdura fresca portano più sapore e succo rispetto a quelli che non sono adeguatamente maturati. Il succo ha una maggiore qualità in termini di gusto e contenuto di vitamine e minerali quando è consumato all'istante, subito dopo la centrifugazione.

Questo apparecchio è in grado di gestire la maggior parte delle varietà di frutta e verdura. Se si utilizza frutta con i noccioli o con la scorza non commestibile (come anguria, ananas, mango, ecc.), sbucciare sempre la pelle prima di inserirli nell'apparecchio. La pelle degli agrumi dovrebbe essere rimossa prima di inserire i frutti nel contenitore. Per un migliore risultato quando si utilizzano agrumi, rimuovere anche la buccia bianca all'interno del frutto. La frutta con i noccioli e i semi duri (come mango, nettarine, albicocche e ciliegie) deve essere snocciolata prima della spremitura. Una piccola quantità di limone può essere aggiunta al succo di mela per impedire l'imbrunimento del succo. Le banane possono essere difficili da frullare quindi, se si utilizzano, inserirle sempre come primo o secondo ingrediente in modo tale che il nettare della banana fluirà attraverso il succo creato dagli altri frutti.

La centrifuga non è adatta per la spremitura di frutta o verdura dura e piena di aminoacidi, come la canna da zucchero, ecc. Quando si frullano frutti e verdure di consistenza diversa, è

utile scegliere combinazioni ottimali. Ad esempio, è opportuno inserire la frutta morbida prima, (come le arance, ecc.) e poi seguire con la frutta dura (come le mele, ecc.). Questo aiuterà a raggiungere la massima estrazione del succo. Se si spremono erbe o verdure a foglia verde, avvolgerli insieme per formare un fascio prima di mettere nella centrifuga o combinarli con altri ingredienti a bassa velocità.

Estrarre la frutta 10-15 minuti prima dell'inserimento nell'estrattore

NOTA: l'apparecchio funziona in modo corretto solo se tutte le parti sono state assemblate correttamente e il coperchio è in posizione.

MANUTENZIONE

Una regolare manutenzione dell'apparecchio aiuta a tenerlo in buone condizioni di funzionamento e in sicurezza.

Tutti gli accessori sono lavabili in lavatrice (max. 80°)

Prima della pulizia

Quando non è in uso o prima della pulizia, staccare sempre la spina dalla presa di corrente.

Pulizia

Lavare le parti rimovibili in acqua tiepida e sapone, risciacquare e poi asciugare tutto. Pulire regolarmente la parte esterna dell'apparecchio con un panno morbido e asciugare con un panno asciutto.

ATTENZIONE: Per evitare danni all'apparecchio, durante la pulizia, non utilizzare solventi aggressivi, detergenti alcalini, detergenti abrasivi o abrasivi di alcun genere. Non immergere l'apparecchio o il cavo in acqua o altri liquidi.

Controllo danni

Verificare sempre che l'apparecchio sia in buone condizioni e che tutte le parti rimovibili siano riposte correttamente. Controllare che il cavo di alimentazione e la spina non presentino tagli o danni di alcun genere.

Conservare in luogo sicuro

Quando non in uso, riporre l'apparecchio, tutti i suoi accessori e il manuale d'uso in un luogo sicuro e asciutto.

GARANZIA

Il periodo di garanzia per i nostri prodotti è di 2 anni, se non diversamente stabilito dalla legge, a partire dalla data di acquisto iniziale o di consegna.

Se avete problemi o domande, potete facilmente accedere alle nostre pagine di aiuto, consigli per la risoluzione dei problemi, FAQ e manuali d'uso sul nostro sito post-vendita:

<https://sav.hkoenig.com>.

Digitando il nome di riferimento del tuo dispositivo nella barra di ricerca, puoi accedere a tutto il supporto online disponibile, progettato per soddisfare al meglio le tue esigenze.

Se ancora non riesci a trovare una risposta alla tua domanda o al tuo problema, allora clicca su "La risposta ha risolto il tuo problema? Questo vi porterà al modulo di richiesta di supporto post-vendita, che potete completare per convalidare la vostra richiesta e ottenere aiuto.

CONDIZIONI DI GARANZIA

La garanzia copre tutti i guasti derivanti da un uso normale, in conformità con gli usi e le specifiche del manuale utente.

Questa garanzia non si applica a problemi di imballaggio o di trasporto durante la spedizione del prodotto da parte del proprietario. Non include inoltre la normale usura del prodotto, né la manutenzione o la sostituzione delle parti di consumo.

ESCLUSIONE DELLA GARANZIA

- Accessori e parti soggette a usura (*).
- Normale manutenzione dell'apparecchio.
- Tutti i guasti derivanti da un uso improprio (urti, mancato rispetto delle raccomandazioni sull'alimentazione, cattive condizioni d'uso, ecc.), da una manutenzione inadeguata o da un uso improprio dell'apparecchio, nonché dall'uso di accessori inadeguati.
- Danni di origine esterna: incendio, danni d'acqua, sovratensione elettrica, ecc.
- Qualsiasi attrezzatura che sia stata smontata, anche parzialmente, da persone diverse da quelle autorizzate a farlo (in particolare l'utente).
- Prodotti per i quali il numero di serie è mancante, danneggiato o illeggibile, il che non permetterebbe la sua identificazione.
- Prodotti soggetti a noleggio, dimostrazione o esposizione.

(*) Alcune parti del suo apparecchio, note come parti soggette a usura o materiali di consumo, si deteriorano con il tempo e la frequenza d'uso del suo apparecchio. Questa usura è normale, ma può essere accentuata da cattive condizioni d'uso o di manutenzione del vostro apparecchio. Queste parti non sono quindi coperte dalla garanzia.

Anche gli accessori forniti con l'apparecchio sono esclusi dalla garanzia. Non possono essere scambiati o rimborsati. Tuttavia, alcuni accessori possono essere acquistati direttamente dal nostro sito web: <https://sav.hkoenig.com/>.

AMBIENTE

ATTENZIONE:



Non gettare quest' apparecchio tra i rifiuti domestici. Per questo tipo di prodotti è fornito dai comuni un sistema di raccolta e ritiro in zona ed è quindi un dovere informarsi per conoscere il giusto smistamento del rifiuto. Infatti, i prodotti elettrici ed elettronici possono contenere sostanze pericolose che hanno effetti dannosi sull'ambiente o sulla nostra salute e quindi devono essere riciclati. Il simbolo al lato indica che le apparecchiature elettriche ed elettroniche fanno parte di una raccolta selettiva e differenziata (rappresentata da un bidone su due ruote sbarrato da una croce).

Adeva SAS / H.Koenig Europe - 8 rue Marc Seguin, 77290 Mitry-Mory, France
www.hkoenig.com - <https://assistenza.hkoenig.com> - Tél: +33 1 64 67 00 05



Points de collecte sur www.quefairedemesdechets.fr
Privilégiez la réparation ou le don de votre appareil !