

# HKoenig

exp820

## Instruction Manual

Manuel d'instructions  
Bedienungsanleitung  
Gebruiksaanwijzing  
Manual de instrucciones  
Manuale d'uso



## Espresso machine

Machine espresso  
Espresso kaffeemaschine  
Espresso-apparaat  
Cafetera express  
Macchina per caffè espresso



# **ENGLISH**

Read this manual thoroughly before using and save it for future reference

## **Product introduction**

This product is an espresso coffee machine in the coffee machine system of our company. Its model is classical atmosphere, rich in coffee grease and foam, easy to operate, safe and easy to clean.

## **IMPORTANT SAFEGUARDS**

When using an electrical appliance, basic safety precautions should always be followed to reduce the risk of fire, electric shock or injury to people, including the followings:

1. Before using checks that the voltage of wall outlet corresponds to coffee maker rating plate.
2. The appliance must be earthed.
3. Close supervision is necessary when your appliance is being used near children.
4. To prevent electric shock in case of fire, do not put the power cord and plug into water or any other liquid; Do not

damage, over bend or stretch the power cord; Do not place heavy objects on the cord.

5. To protect against electric shock, don't put cord, plug or machine into water or any other liquids.

6. Do not use the equipment in high temperature, high magnetic field and damp environment. Do not put the coffee machine on a hot surface, near the fire source or other electrical appliances, such as refrigerator.

7. Please do not turn on the machine when the wire or plug is damaged, the coffee machine is out of order or damaged in any way, and return to the nearest authorized service center for inspection and maintenance, or contact the dealer.

8. Please use original accessories.

9. This machine is only used for making coffee, do not use it for other purposes, and put it in a dry environment.

10. Place the coffee maker on a flat surface or on a table. Do not hang the power cord on the edge of the table or counter

11. Don't let cord hang over edge of table or countertop

12. When operating the coffee machine, do not directly touch the hot parts on the surface.

13. Regularly clean and maintain the coffee machine parts to ensure the quality of coffee and extend the service life of the coffee machine.
14. Do not move or turn off the power when the coffee machine is working.
15. Do not operate without water.
16. To ensure safety, please read the instructions carefully and grasp the correct use method.
17. Do not wash the coffee maker or power cord in water or other liquids.
18. Household use only , don't use outdoors.
19. Before using it for the first time, please cook it twice with clean water to remove the odor.
20. Save these instructions booklet for future reference.
- 21 . The coffee-maker shall not be placed in a cabinet when in use.
- 22 . Cleaning and user maintenance shall not be made by children without supervision.
- 23 . This appliance can be used by children aged from 8 years and above if they have been given supervision or instruction concerning use of the appliance in a safe way and if they understand the hazards involved. Cleaning and user maintenance shall not be made by children unless

they are older than 8 and supervised. Keep the appliance and its cord out of reach of children aged less than 8 years.

24 . This appliance may be used by persons with reduced physical, sensory or mental capabilities or lack of experience or knowledge, provided that they are supervised or instructed in the safe use of the appliance and that they fully understand the potential hazards.

25 . Children shall not play with the appliance.

26. Warning: misuse may cause potential injury. The heating element surface is subject to residual heat after use.

27. HOUSEHOLD USE ONLY

28. This appliance may be used by children of at least 8 years of age, as long as they are supervised and have been given instructions about using the appliance safely and are fully aware of the dangers involved.

29. Cleaning and maintenance should not be carried

30. out by children unless they are at least 8 years of age and are supervised by an adult.

31. Keep the appliance and its power cord out of reach of children under 8 years of age.

32. When using electrical equipment, safety precautions must always be taken to prevent the risk of fire, electric shock and/or injury in the event of misuse.

33. Make sure that the voltage rating on the typeplate corresponds to your main voltage of your installation. If this is not the case, contact the dealer and do not connect the unit

34. Please keep this document at hand and give it to the future owner in case of transfer of your device

35. Never leave the unit unattended while in operation.

36. The device must not be used if it has been dropped, if obvious signs of damage are visible or if it has leaks.

37. This device is intended for use in domestic and similar applications such as:

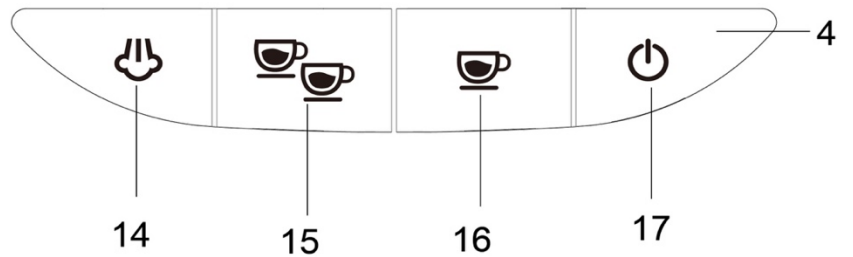
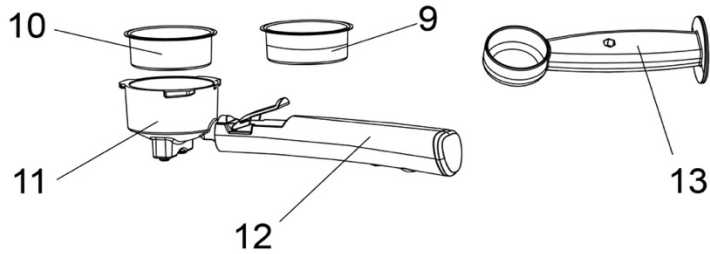
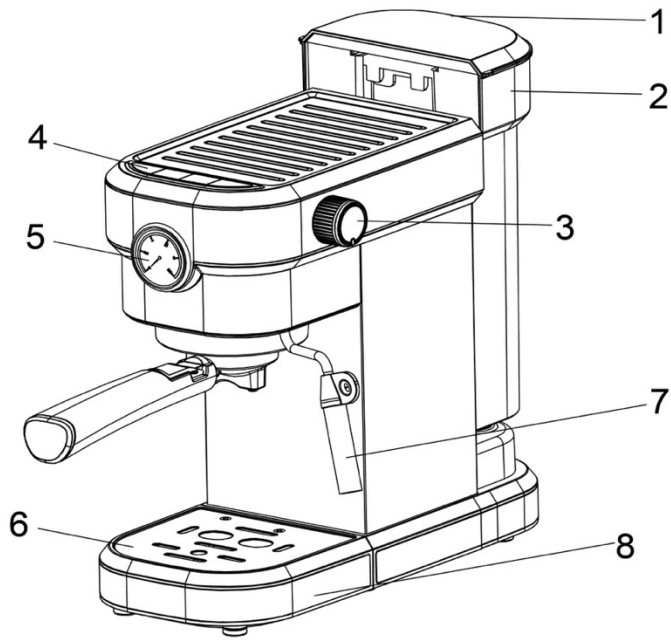
- kitchen areas in shops, offices and other work environments
- the farms
- in hotels, motels and other residential type environments
- guest rooms.

**Product features**

1. Detachable transparent water tank and drip tray
2. Can make all kinds of espresso coffee
3. Durable stainless cup plate for coffee cups preheating
4. Can make espresso coffee and milk foam
5. Detachable frothing nozzle and drip tray for easy cleaning
6. With pressure meter on the front body to show the display

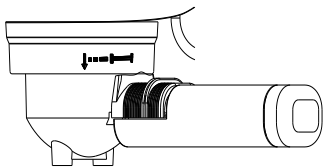
# KNOW YOUR COFFEE MAKER

- 1. tank cover
- 2. water tank
- 3. steam knob
- 4. control panel
- 5. pressure meter
- 6. cup plate
- 7. frothing nozzle
- 8. drip tray
- 9. one cup of filter
- 10. two cups of filter
- 11. funnel
- 12. aluminum alloy filter holder
- 13. coffee spoon
- 14. steam knob
- 15. buttons in two cups
- 16. button in one cup
- 17. power switch



## First use/cold machine state preparation

1. Pour the water into the tank and the water level should not exceed the "Max" mark in the tank
2. Remove the funnel from the packaging box, put it into the filter and screw it into the corresponding position of the machine. The funnel handle is aligned with the "🔒" mark.



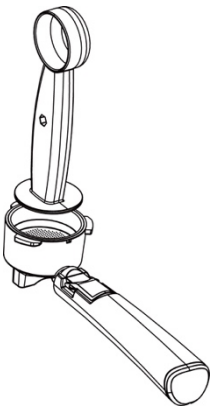
3. Plug in the power, then press the "⏻" button, the machine beeps. "one cup" and "two cups" button light flashes three times, the machine starts to warm up.

(make sure that the steam knob is "○—". If it is "☺/☺", the four lights will flash together and it will not work.)

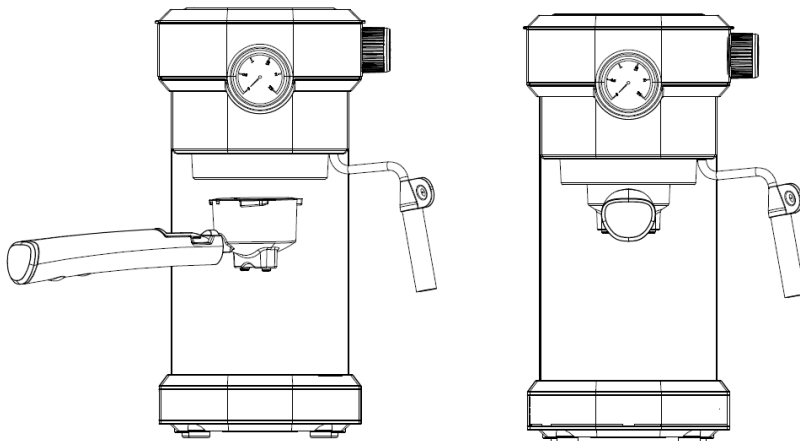
4. When the indicator light of "one cup" and "two cups" is always on, press the button of "one cup" to wash the coffee filter or coffee cup with hot water.

### Make Espresso coffee:

1. While the machine is preheating, the ground coffee powder (the coffee powder should be no. 1 powder, not too thick or too fine) can be loaded into the "metal filter" and then compressed with the powder press; Meanwhile, clean the coffee powder at the edge of the funnel with a brush or hand (if 1 cup is needed, use 1 cup net; if 2 cups are needed, use 2 cups net).



2. Insert the funnel and lock it tightly as indication sign, then place the coffee cup under the funnel.



3. When the "☺", "☺☺" light is on, press the "☺" button several times and the coffee starts

to flow out 1 cup of coffee. (or press the key "☺☺" to release 2 cups of coffee)

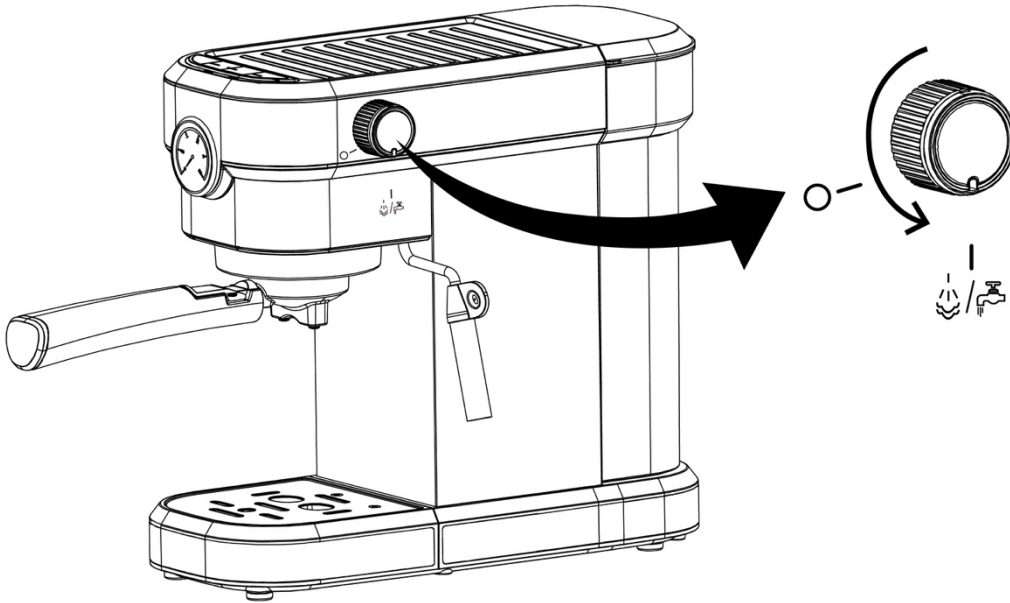
4. At the same time, adjust the position of the coffee cup to let the coffee liquid flow into the cup along the cup wall.

5. Wait for the coffee to drip, it's done!



### Steam milk foam function

1. Press "⏻" and then "☞". At this time, the "☞" indicator starts flashing until the indicator turns on normally and the preheating is completed
2. Pour the iced whole milk into the latte art cup 1/3 of the way, insert the steam nozzle 1CM into the milk surface, then slowly unscrew the "steam knob" until the steam starts to come out.



**(Note:** Steam size can be adjusted according to personal proficiency. Release a little water in the steam pipe before foaming)

3. When the temperature of milk reaches about 75 degrees and the milk foam begins to inflate, you can twist the "steam knob" to "○—" and press "☞" to close.



### Hot water function



Press the "⏻" switch, turn the "steam knob" to "☞/☕", and the steam pipe starts to continuously discharge hot water; Turn the "steam knob" to "○—" stop the hot water.

### Additional function -- memory coffee making function

1. After the machine is heated up (when the "☕" and "☕☕" indicator lights become stay on, press and hold the "☕" button, and the funnel starts to pour coffee. When the desired amount is reached, then release the "☕" button, you will listen a sound from the machine. That means the time has been memorized. The next time you press the "☕" button, press this time to make coffee (the longest time is 60 seconds, the setting is invalid for more than 60



seconds, remaining at the default time). RE: If you set the time was too short, the memory time will not be save, the continuous time effluent volume should be more than 15ml.

2. "   "Key memory function setting is the same as above.

3. Restore factory Settings: press and hold "  " + "  " for 3 seconds at the same time. When both keys are on and ringing 3 times, reflecting the factory settings have been restored.

### Cooling function

When the machine makes coffee after the steam, turn off the "steam switch", because the temperature is too high, one cup and two cups of indicator light will flash, the machine needs to

be cooled. At this time, rotate the "steam knob" to "  ", the machine starts to pump water, and the steam pipe starts to continuously discharge water and cool down. After the indicator light flashes quickly, turn the "steam knob" to "  " and stop cooling down. It can make coffee when the power indicator is on.

## Cleaning and maintenance

1. Cut off the power and let the coffee machine clean before it cools completely.

2. Wipe the outside and parts of the coffee maker with a damp cloth or a clean sponge.

**Note:** Do not use alcohol or solvent cleaner, do not immerse the machine in water to clean.

3. Unscrew the coffee funnel and clean the coffee grounds in the filter.

4. Always unplug the unit from the electrical outlet and allow to cool before cleaning.

## Trouble removal

Problem	Reason	Method
No water/steam	<ol style="list-style-type: none"> <li>Whether there is water in the water tank/whether the water tank is stuck in place</li> <li>Water is not added in advance in the machine.</li> <li>The machine is not preheated.</li> </ol>	<ol style="list-style-type: none"> <li>Fill the tank with water and turn on the power switch and the coffee switch</li> <li>How to add water to the machine: press the hot water button, and the pump will start to add water into the machine until there is water flowing out from the steam nozzle or funnel.</li> <li>The machine needs to be preheated before the coffee can be produced. That is, it indicates that the coffee will turn to normal light in the flickering state.</li> </ol>
No grease	The coffee grounds are too thick/the grounds are not pressed	Replace the coffee powder and flatten it with a press
No steam	<ol style="list-style-type: none"> <li>Plug the steam outlet</li> <li>Steam switch is not on or preheating is not completed to turn on steam</li> </ol>	<ol style="list-style-type: none"> <li>Use a small wire through the steam hole</li> <li>Clean the steam pipe with hot water after foaming.</li> <li>Turn on the steam switch, and wait for the preheating to complete before steam</li> </ol>
More or less Coffee	Too much or too little coffee powder	According to the standard amount of powder, 1 cup with 1 tablespoon to pressure, coffee powder can not be too thick or too fine. Too thick coffee can not be completely extracted, too fine affect the amount of coffee.
The milk does not foam well	<ol style="list-style-type: none"> <li>whether it is whole milk</li> <li>Before the steam key is warmed up, it starts to milk</li> </ol>	<ol style="list-style-type: none"> <li>Use whole milk</li> <li>Steam can only be started after the steam indicator light turns from flashing to constant light.</li> </ol>
No coffee, coffee light and steam light flash	The temperature is too high after steaming	Water cooling
Not boil coffee	In the steam state, the steam switch is not off	Turn the steam switch to OFF

## Environment friendly disposal

### WARRANTY

The warranty period for our products is 2 years, unless otherwise stated, starting from the date of initial purchase or the date of delivery.

If you have any problems or questions, you can easily access our help pages, troubleshooting tips, FAQ, and user manuals on our service site: <https://sav.hkoenig.com>.

By typing the reference name of your device in the search bar, you can access all available online support, designed to best meet your needs.

If you still cannot find an answer to your question or problem, then click on “Did the answer solve your problem?”. This will direct you to the Customer Support Request Form, which you can fill out to validate your request and get help.

### WARRANTY CONDITIONS

The warranty covers all failures occurring under normal use, in accordance with the usage and specifications in the user's manual.

This warranty does not apply to packaging or transportation problems during shipment of the product by the owner. It also does not include normal wear and tear of the product, nor maintenance or replacement of consumable parts.

### EXCLUSION OF WARRANTY

- Accessories and wearing parts (\*).
- Normal maintenance of the device.
- All breakdowns resulting from improper use (shocks, failure to comply with power supply recommendations, poor conditions of use, etc.), insufficient maintenance or misuse of the device, as well as the use of unsuitable accessories.
- Damage of external origin: fire, water damage, electrical surge, etc.
- Any equipment that has been disassembled, even partially, by persons other than those authorized to do so (notably the user).
- The products whose serial number would be missing, deteriorated or illegible that would not allow its identification.
- The products subjected to leasing, demonstration, or exhibition.

(\*) Some parts of your device, called wear parts or consumables, deteriorate with time and frequency of use of your device. This wear and tear are normal but can be accentuated by poor conditions of use or maintenance of your device. These parts are therefore not covered by the warranty.

The accessories supplied with the device are also excluded from the warranty. They cannot be exchanged or refunded. However, some accessories can be purchased directly through our website: <https://sav.hkoenig.com/>.

**CAUTION:**



**Do not dispose of this product as it has with other household products. There is a separation of this waste product into communities, you will need to inform your local authorities about the places where you can return this product. In fact, electrical and electronic products contain hazardous substances that have harmful effects on the environment or human health and should be recycled. The symbol here indicates that electrical and electronic equipment should be chosen carefully, a wheeled waste container is marked with a cross.**

Adeva SAS / H.Koenig Europe - 8 rue Marc Seguin, 77290 Mitry-Mory, France  
www.hkoenig.com - <https://en.hkoenig.com> - Tél: +33 1 64 67 00 05

# FRANÇAIS

Lire le mode d'emploi avec attention avant usage et le garder à proximité

## **CONSIGNES DE SECURITE IMPORTANTES**

Lors de l'usage d'un appareil électrique, des précautions basiques doivent toujours être prises afin de réduire le risque d'incendie, de choc électrique ou de blessure, telles que :

- Vérifier que le voltage de la prise murale correspond à celui de la machine à café.
- L'appareil doit être branché à une prise terre
- Une supervision rapprochée est nécessaire lorsque la machine est utilisée à côté d'enfants
- Afin de prévenir les chocs électriques en cas d'incendie, ne pas mettre le fil ou la prise dans de l'eau ou du liquide. Ne pas abîmer, tordre ou tirer sur le fil d'alimentation. Ne pas placer des objets lourds sur le fil
- Pour se protéger contre l'électrocution, ne pas mettre le fil, la prise ou la machine dans de l'eau ou du liquide
- Ne pas utiliser l'appareil lors de haute température ou dans des champs magnétiques. Ne pas mettre la machine à café sur une surface chaude, proche d'un feu ou d'autres appareils électriques tels que le réfrigérateur.

- Ne pas allumer la machine lorsque le fil ou la prise sont abîmés, si la machine est abîmée, rendez-vous dans le centre de service habilité le plus proche ou contactez votre vendeur.
- Utilisez les accessoires originaux
- Cette machine doit seulement être utilisée pour faire du café, dans un environnement sec
- Placez la machine sur une surface plate ou une table. Ne pas pendre le fil d'alimentation sur le bord de la table
- Ne pas laisser la corde pendre du bord de la table ou du comptoir
- Lors de l'utilisation, ne pas toucher les parties chaudes de la machine.
- Nettoyer régulièrement la machine pour maintenir la bonne qualité du café et allonger sa durée de vie.
- Ne pas éteindre la machine lorsqu'elle est en train de fonctionner
- Ne pas utiliser sans eau
- Pour des raisons de sécurité, lire les instructions avec attention et utiliser selon ces dernières.
- Ne pas laver la machine ou le fil d'alimentation dans de l'eau ou d'autres liquides.

- Pour usage domestique uniquement, ne pas utiliser à l'extérieur
- Avant le premier usage, chauffez deux fois avec de l'eau propre pour enlever l'odeur.
- Gardez le mode d'emploi.
- La machine ne doit pas être placée dans un placard pendant usage.
- Le nettoyage ne doit pas être effectué par des enfants sans surveillance.
- Cette machine peut être utilisée par les enfants à partir de 8 ans s'ils sont supervisés ou ont reçu des instructions sur son utilisation et qu'ils comprennent les dangers qui y sont reliés. Le nettoyage ne doit pas être effectué par des enfants de moins de 8 ans. Gardez la machine hors de portée des enfants plus jeunes.
- Cet appareil peut être utilisé par des personnes dont les capacités physiques, sensorielles ou mentales sont réduites ou dont l'expérience ou les connaissances ne sont pas suffisantes, à condition qu'elles bénéficient d'une surveillance ou qu'elles aient reçu des instructions quant à l'utilisation de l'appareil en toute sécurité et qu'elles en comprennent bien les dangers potentiels.
- Les enfants ne doivent pas jouer avec la machine.



- Attention : une mauvaise utilisation peut entraîner des blessures. Les parties chaudes lors de l'utilisation peuvent le rester après utilisation.
- **UNIQUEMENT POUR USAGE DOMESTIQUE**
- Cet appareil peut être utilisé par des enfants âgés
- d'au moins 8 ans, à condition qu'ils bénéficient d'une surveillance ou qu'ils aient reçu des instructions quant à l'utilisation de l'appareil en toute sécurité et qu'ils comprennent bien les dangers encourus.
- Le nettoyage et l'entretien par l'utilisateur ne doivent pas être effectués par des enfants, à moins qu'ils ne soient âgés de plus de 8ans et qu'ils soient sous la surveillance d'un adulte.
- Conserver l'appareil et son câble hors de portée des enfants âgés de moins 8ans.
- Lors de l'utilisation d'appareils électriques, des précautions de sécurité doivent toujours être prises pour prévenir tout risque d'incendie, de choc électrique et/ou de blessure en cas de mauvaise utilisation.
- Vérifier que le voltage indiqué sur la plaque signalétique de l'appareil correspond bien à celui de votre installation électrique. Si ce n'est pas le cas, adressez-vous au revendeur et ne branchez pas l'appareil

- Veuillez conserver ce document à disposition et le remettre au futur propriétaire en cas de cession de votre appareil
- Ne jamais laisser l'appareil sans surveillance lorsqu'il est en fonctionnement.
- L'appareil ne doit pas être utilisé s'il a chuté, s'il y a des signes visibles de dommages ou en cas de fuite.
- Cet appareil est destiné à être utilisé dans des applications domestiques et similaires telles que :
  - les zones de cuisine dans les magasins, les bureaux et autres environnements de travail
  - les fermes
  - dans les hôtels, les motels et autres environnements de type résidentiel
  - les chambres d'hôtes.

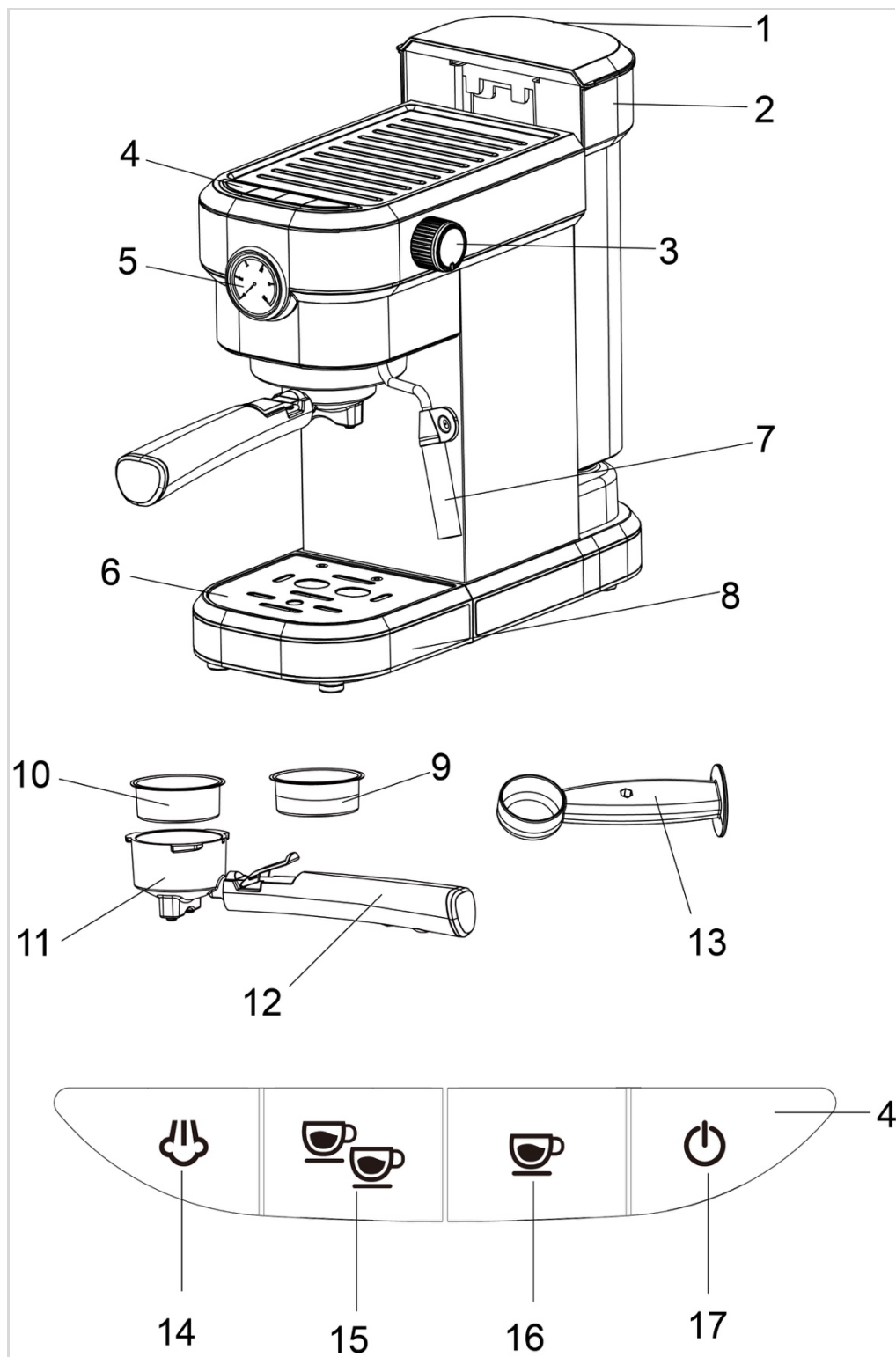
### **Introduction produit**

Ce produit est une machine à espresso facile à utiliser, à laver et qui vous permettra d'obtenir un café avec de la mousse

### **Caractéristiques du produit**


1. Réservoir à eau transparent détachable et bac récepteur
2. Peut faire toutes sortes d'espresso
3. Assiette durable en acier inoxydable pour le préchauffage des tasses à café.
4. Peut faire des espressos et de la mousse
5. Buse à mousse détachable et bac d'égouttage pour un nettoyage facile
6. Avec un pressiomètre sur le devant

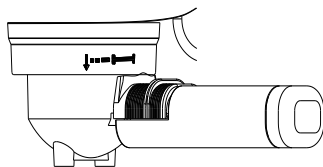
## CONNAITRE VOTRE MACHINE A CAFE





- 1.couvercle 2. réservoir d'eau 3. Bouton vapeur 4.tableau de contrôle  
5. pressiomètre 6. assiette en acier 7. buse à mousse 8.bac récepteur  
9. filtre 1 tasse 10. filtre 2 tasses 11. entonnoir  
12. porte-filtre en aluminium 13. Cuillère à café 14. bouton vapeur  
15. bouton deux tasses 16. bouton une tasse 17. interrupteur

## Première utilisation/préparation de la machine à froid

- Verser l'eau dans le réservoir, le niveau d'eau ne doit pas dépasser la marque « Max » indiquée sur le réservoir
- Retirer l'entonnoir de la boîte d'emballage, le mettre dans le filtre et le visser dans la position correspondante. La poignée de l'entonnoir doit être alignée avec le repère "  " .



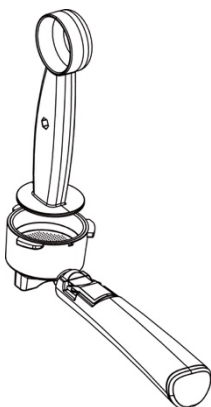
- Brancher la machine, appuyez sur le bouton "  ", la machine émet un bip. Les boutons « une tasse » et « deux tasses » clignotent trois fois et la machine commence à chauffer.

(S'assurer que le bouton vapeur soit "  ". S'il indique "  ", les quatre lumières vont clignoter en même temps et la machine ne fonctionnera pas.)

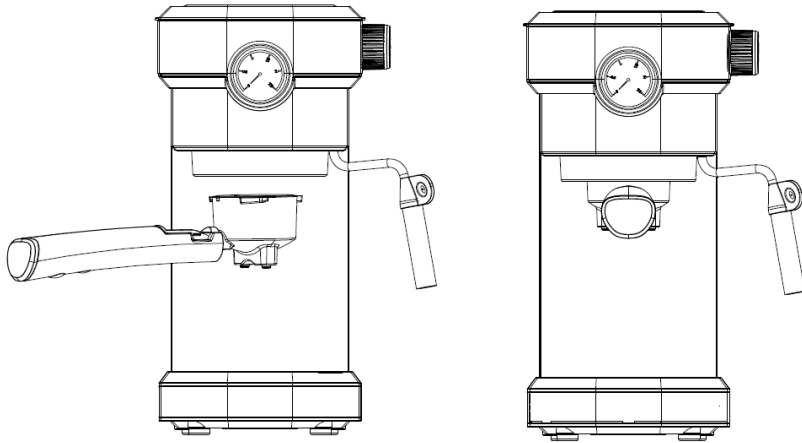
5. Quand la lumière des indicateurs "une tasse" et "deux tasses" est continue, appuyer sur le bouton "une tasse" pour nettoyer le filtre à café ou la tasse à café avec de l'eau chaude.

## Faire un espresso :

- Pendant que la machine préchauffe, la poudre de café (choisir de la n°1, ni trop épaisse ni trop fine) peut être mise dans le filtre en métal et compressée avec le dos de la cuillère. Pendant ce temps, nettoyer la poudre de café au bord de l'entonnoir avec une brosse ou à la main (si vous souhaitez 1 tasse, utiliser le filtre 1 tasse et utilisez le filtre 2 tasses si vous souhaitez 2 tasses).



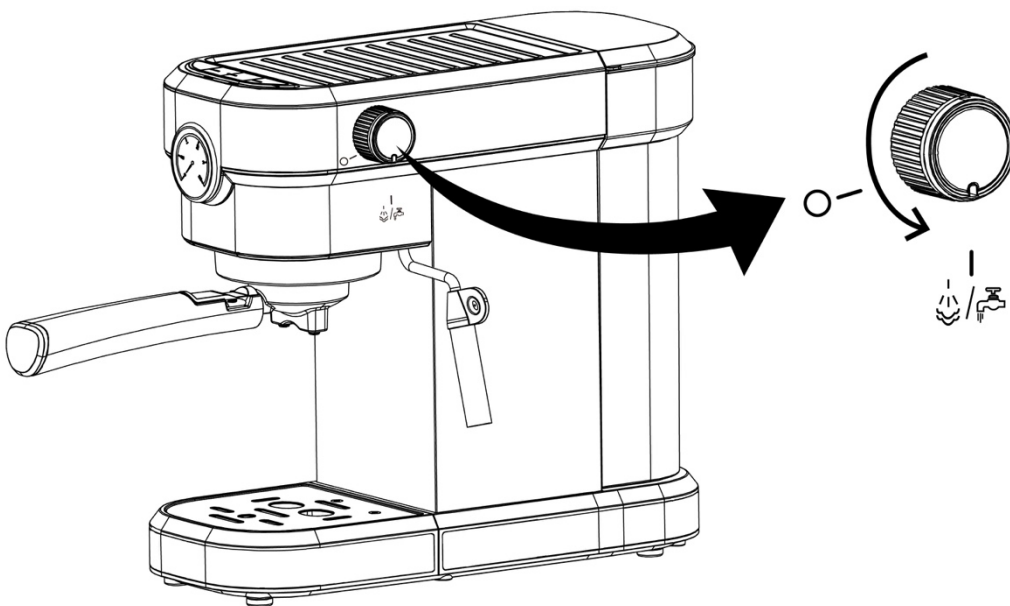
- Insérer l'entonnoir et le verrouiller correctement comme indiqué sur le signe, placer ensuite la tasse à café sous l'entonnoir.





- Quand les signes "☕", "☕☕" sont allumés, appuyer sur le bouton "☕" plusieurs fois et le café commencera à couler pour remplir 1 tasse. (ou appuyer sur le bouton "☕☕" pour remplir 2 tasses à café.)
- En même temps, ajuster la position de la tasse à café si nécessaire.
- Attendre que le café arrête de couler, c'est prêt !

### Fonction mousse de lait vapeur




- Appuyer sur "⏻" puis "☕". A ce moment, l'indicateur "☕" commence à clignoter jusqu'à ce qu'il reste allumé ce qui indique que le préchauffage est complet.
- Verser le lait froid entier dans la coupe à lait et la remplir aux 2/3, insérer la buse à vapeur d'1 cm dans le lait et tourner ensuite doucement le bouton à vapeur jusqu'à ce que la vapeur s'échappe de la buse.











**(Note :** La puissance de la vapeur être ajustée en fonction des compétences personnelles. Relâchez un peu d'eau dans le tuyau de vapeur avant de commencer à faire de la mousse)

- Quand la température du lait atteint environ 75 degrés et que la mousse commence à monter, vous pouvez tourner le bouton à vapeur vers "  " et appuyer sur "  " pour arrêter le processus.

### Fonction eau chaude



Appuyez sur le bouton "  " tournez le bouton vapeur vers "  ", et le tuyau commencera à laisser s'échapper de l'eau chaude ; tournez le bouton vapeur vers "  " pour l'arrêter.

### Fonction supplémentaire – mémoire de préparation des cafés

- Une fois que la machine est chaude (quand les voyants "  " et "  " restent allumés, restez appuyés sur le bouton, "  " et l'entonnoir commencera à verser du café. Quand la quantité souhaitée est atteinte, relâchez le bouton "  " et vous entendrez un son de la machine. Cela signifie que le temps a été enregistré. La prochaine fois que vous appuierez sur le bouton "  " vous n'aurez pas à rester appuyé pour faire la même quantité de café (le plus long est 60 secondes, qui est le temps par défaut). Attention : si le temps que vous souhaitez enregistrer est trop court, il ne sera pas mémorisé, la quantité doit être de plus de 15 ml.
- "  " Même fonction de mémorisation qu'expliquées au-dessus.
- Pour restaurer les paramètres d'usine, rester appuyés sur "  " + "  " pendant 3 secondes en même temps. Quand les deux indicateurs clignotent 3 fois, cela signifie que les paramètres d'usine ont été restaurés.

### Fonction de refroidissement

Quand la machine fait du café après la vapeur, éteignez la vapeur car la température est trop élevée, quand les indicateurs « une tasse » et « deux tasses » clignotent, la machine doit être

refroidie. Dans ce cas, tournez le bouton vapeur vers "  ", la machine commence alors à pomper de l'eau et la buse à vapeur à écouler de l'eau et à se refroidir. Une fois que les indicateurs clignotent rapidement, positionnez le bouton vapeur sur "  " et arrêtez le refroidissement. Le café peut être fait lorsque l'interrupteur est allumé.

## Nettoyage et entretien

- Éteignez la machine et la laisser propre avant qu'elle refroidisse complètement.
- Nettoyez les parties extérieures avec un tissu humide ou une éponge propre.
- **Note** : Ne pas utiliser de l'alcool ou du solvant, ne pas immerger la machine dans de l'eau pour la nettoyer.
- Dévissez l'entonnoir à café et nettoyez le filtre.
- Débranchez toujours l'appareil de la prise de courant et laissez refroidir avant de la nettoyer.

### Résolution des problèmes

Problème	Raison	Méthode
Pas d'eau/vapeur	4. S'il y a de l'eau dans le réservoir/s'il est en place 5. L'eau n'est pas ajoutée en avance dans la machine. 6. La machine n'a pas préchauffé.	1. Remplissez le réservoir d'eau, allumez la machine et appuyez sur le bouton de café. 2. Comment ajouter de l'eau à la machine : appuyez sur le bouton d'eau chaude, et la pompe commencera à ajouter de l'eau dans la machine jusqu'à ce que de l'eau s'écoule de la buse à vapeur ou de l'entonnoir. 3. La machine doit être préchauffée avant que le café puisse être produit. C'est-à-dire qu'il indique que le café deviendra normal à l'état clignotant.
Ne coule pas bien/pas huilé	Les grains de café sont trop épais/ils ne sont pas pressés	Changez la poudre à café et la presser

Pas de vapeur	3. Brancher la sortie à vapeur 4. L'interrupteur à vapeur n'est pas allumé ou le préchauffage n'est pas terminé	4. Passez un petit fil à travers la buse à vapeur 5. Nettoyez le tuyau à vapeur avec de l'eau chaude après moussage 6. Allumez l'interrupteur à vapeur et attendre que le préchauffage soit terminé avant de l'utiliser
Plus ou moins de café	Trop ou trop peu de café	Selon la quantité standard de poudre, 1 tasse pour 1 cuillère à soupe, le café ne doit pas être trop fin ni trop épais. Le café trop épais ne pourra pas être extrait entièrement et le café trop fin peut changer la quantité de café.
Le lait ne mousse pas bien	3. Si le lait est entier 4. Avant que la buse à vapeur chauffe, elle fait couler du lait.	3. Utilisez du lait entier 4. La vapeur peut être utilisée uniquement lorsque l'indicateur lumineux est continue.
Pas de café, café trop léger ou problème de vapeur	LL La température est trop chaude ap après avoir extrait de la vapeur	Refroidir à l'eau.
Café ne bout pas	Le bouton à vapeur n'est pas OFF	Mettre le bouton vapeur en position OFF

## GARANTIE

La durée de garantie de nos produits est de 2 ans, sauf décret en vigueur, à compter de la date d'achat initiale ou la date de livraison.

En cas de problèmes ou d'interrogations, vous pouvez facilement accéder à nos pages d'aides, conseils de dépannage, FAQ et modes d'emplois sur notre site SAV : <https://sav.hkoenig.com>.

En tapant le nom de référence de votre appareil dans la barre de recherche, vous accédez à tous les supports en ligne disponibles, conçus pour vous répondre au mieux à vos besoins.

Si vous ne trouvez toujours pas de réponse à votre question ou votre problème, alors cliquez sur « Est-ce que la réponse a résolu votre problème ? ». Vous accéderez alors au formulaire de demande d'assistance SAV, qu'il vous suffira de compléter pour valider votre demande et obtenir de l'aide.

## CONDITIONS DE GARANTIE

La garantie couvre l'ensemble des pannes survenant dans le cadre d'une utilisation normale, conforme aux usages et spécifications présentes sur le manuel d'utilisation. Cette garantie ne s'applique pas aux problèmes d'emballage ou de transport pendant l'expédition du produit par son propriétaire. Elle n'inclut également pas l'usure normale du produit, ni la maintenance ou le remplacement de pièces consommables.



## EXCLUSION DE GARANTIE

- Les accessoires et les pièces d'usure (\*).
- L'entretien normal de l'appareil.
- Toutes pannes survenant par suite d'une mauvaise utilisation (chocs, non-respect des préconisations d'alimentation électrique, mauvaises conditions d'utilisation, etc.), d'un entretien insuffisant ou d'un détournement de fonction de l'appareil, ainsi que l'usage d'accessoires non appropriés.
- Les dommages d'origine externe : incendie, dégâts des eaux, surtension électrique, etc.
- Tout matériel qui aura été démonté même partiellement par des personnes autres que celles habilitées (notamment l'utilisateur).
- Les produits dont le numéro de série serait absent, détérioré ou illisible que ne permettrait pas son identification.
- Les produits soumis à la location, à la démonstration ou à l'exposition.

(\*) Certaines pièces de votre appareil dites pièces d'usure ou consommables se détériorent avec le temps et la fréquence d'usage de votre appareil. Cette usure est normale, mais peut être accentuée par des mauvaises conditions d'utilisation ou entretien de votre appareil. Ces pièces ne sont donc pas couvertes par la garantie. Les accessoires fournis avec l'appareil sont également exclus du champ de la garantie. Ils ne peuvent donc être ni échangés, ni remboursés. Toutefois, certains accessoires peuvent être directement achetés via notre site : <https://sav.hkoenig.com/>.

## ENVIRONNEMENT

### ATTENTION :



Vous ne devez pas vous débarrasser de cet appareil avec vos déchets ménagers. Un système de collecte sélective pour ce type de produit est mis en place par les communes, vous devez vous renseigner auprès de votre mairie afin d'en connaître les emplacements. En effet, les produits électriques et électroniques peuvent contenir des substances dangereuses qui ont des effets néfastes sur l'environnement ou la santé humaine et doivent être recyclés. Le symbole ci-contre indique que les équipements électriques et électroniques font l'objet d'une collecte sélective, il représente une poubelle sur roues barrée d'une croix.

Adeva SAS / H.Koenig Europe - 8 rue Marc Seguin, 77290 Mitry-Mory, France  
www.hkoenig.com - <https://sav.hkoenig.com> - Tél: +33 1 64 67 00 05

## **DEUTSCH**

Lesen Sie bitte diese Bedienungsanleitung sorgfältig vor dem Gebrauch und bewahren Sie diese als künftige Referenz auf

### **WICHTIGE SICHERHEITSANWEISUNGEN**

Während der Nutzung des elektrischen Gerätes müssen grundlegende Vorsichtsmaßnahmen immer befolgt werden, um das Risiko eines Brandes, eines Stromschlages oder einer Körperverletzung zu vermeiden, einschließlich den folgenden:

- Vor der Nutzung überprüfen Sie, dass die Spannung in der Steckdose mit dem Typenschild der Kaffeemaschine übereinstimmt.
- Das Gerät muss geerdet sein.
- Eine erhöhte Aufsicht ist notwendig, wenn Ihr Gerät in der Nähe von Kindern benutzt wird.
- Um das Risiko eines Stromschlages im Falle eines Brandes zu vermeiden, platzieren Sie das Kabel oder den Stecker nicht in Wasser oder anderen Flüssigkeiten; Beschädigen, biegen oder strecken Sie das Stromkabel nicht; Platzieren Sie keine schweren Gegenstände auf dem Kabel.

- Um sich vor einem Stromschlag zu schützen, platzieren Sie das Kabel, den Stecker oder die Maschine nicht in Wasser oder anderen Flüssigkeiten.
- Benutzen Sie das Gerät nicht bei hohen Temperaturen, hohen Magnetfeldern und in einer feuchten Umgebung. Stellen Sie die Kaffeemaschine nicht auf heiße Flächen, in der Nähe von Feuerquellen oder anderen elektrischen Geräten, wie z.B. einem Kühlschrank.
- Schalten Sie die Maschine bitte nicht an, wenn ein Draht oder der Stecker beschädigt sind, wenn die Kaffeemaschine nicht funktioniert oder auf jegliche Weise beschädigt ist; bringen Sie das Gerät zu der nächstliegenden autorisierten Servicestelle für eine Inspektion und Wartung, oder kontaktieren Sie Ihren Händler.
- Benutzen Sie bitte originales Zubehör.
- Die Maschine darf nur benutzt werden, um Kaffee zuzubereiten, benutzen Sie diese nicht zu anderen Zwecken, und platzieren Sie diese in einer trockenen Umgebung.
- Platzieren Sie die Kaffeemaschine auf einer flachen Ebene oder auf einem Tisch. Hängen Sie das Stromkabel nicht über die Kante eines Tisches oder einer Theke.

- Lassen Sie das Stromkabel über die Kante eines Tisches oder einer Theke nicht hängen.
- Wenn Sie die Kaffeemaschine bedienen, berühren Sie nicht unmittelbar heiße Teile auf der Oberfläche.
- Reinigen und warten Sie die Teile der Kaffeemaschine regelmäßig, um die Kaffeequalität zu gewährleisten und die Lebensdauer der Kaffeemaschine zu verlängern.
- Verstellen oder trennen Sie die Stromversorgung nicht, wenn die Kaffeemaschine im Betrieb ist.
- Bedienen Sie das Gerät nicht ohne Wasser.
- Um Sicherheit zu gewährleisten, lesen Sie bitte die Anweisungen sorgfältig und wenden Sie die ordnungsgemäße Nutzungsmethode an.
- Reinigen Sie die Kaffeemaschine oder das Stromkabel nicht in Wasser oder anderen Flüssigkeiten.
- Nur für den Haushaltsgebrauch, benutzen Sie das Gerät nicht im Freien.
- Vor der ersten Nutzung, bitte kochen Sie damit zwei Mal sauberes Wasser auf, um den Geruch zu entfernen.
- Bewahren Sie dieses Handbuch als künftige Referenz auf.
- Die Kaffeemaschine darf nicht während der Nutzung in einem Schrank platziert werden.

- Die Reinigung und Wartung dürfen nicht von unbeaufsichtigten Kindern durchgeführt werden.
- Das Gerät kann von Kindern ab 8 Jahren und über und Personen mit eingeschränkten physischen, sensorischen oder geistigen Fähigkeiten oder mangels Erfahrung und Wissen benutzt werden, wenn sie beaufsichtigt werden oder die Anweisungen zur sicheren Nutzung des Gerätes erhalten haben und können die damit verbundenen Gefahren nachvollziehen. Die Reinigung und Wartung dürfen nicht von Kindern durchgeführt werden, es sei denn sie sind über 8 Jahre alt und werden beaufsichtigt. Bewahren Sie das Gerät und sein Kabel außer Reichweite von Kindern unter 8 Jahren auf.
- Dieses Gerät kann von Personen mit eingeschränkten körperlichen, sensorischen oder geistigen Fähigkeiten oder mangelnder Erfahrung und Kenntnis benutzt werden, vorausgesetzt, dass sie beaufsichtigt oder in der sicheren Benutzung des Gerätes unterwiesen werden und die möglichen Gefahren vollständig verstehen.
- Kinder dürfen mit dem Gerät nicht spielen.
- Warnung: der Missbrauch kann zu potentiellen Verletzungen führen. Die Fläche des Heizelementes behält nach der Nutzung die Restwärme.
- **NUR FÜR DEN HAUSHALTSGEBRAUCH**

- Dieses Gerät darf von Kindern ab 8 Jahren benutzt werden, sofern diese beaufsichtigt werden oder eine Einweisung in den sicheren Gebrauch des Geräts erhalten haben und die damit verbundenen Gefahren verstehen.
- Kinder dürfen das Gerät nur reinigen oder pflegen, wenn sie mindestens 8 Jahre alt sind und von einem Erwachsenen beaufsichtigt werden.
- Bewahren Sie das Gerät und das zugehörige Netzkabel außerhalb der Reichweite von Kindern unter 8 Jahren auf.
- Bei der Verwendung elektrischer Geräte sind stets Sicherheitsvorkehrungen zu treffen, um bei unsachgemäßer Verwendung die Gefahr von Bränden, elektrischen Schlägen und/oder Verletzungen zu vermeiden.
- Achten Sie darauf, dass die auf dem Typenschild angegebene Nennspannung mit Ihrer Netzspannung übereinstimmt Ihrer Installation. Wenn dies nicht der Fall ist, wenden Sie sich an den Händler und schließen Sie das Gerät nicht an.
- Bitte halten Sie dieses Dokument bereit und geben Sie es im Falle einer Übertragung Ihres Gerätes an den zukünftigen Besitzer weiter.

- Das Gerät darf nicht benutzt werden, wenn es fallen gelassen wurde, wenn auffällige Zeichen von Beschädigungen sichtbar sind oder wenn es undicht ist
- Lassen Sie das Gerät während des Betriebs niemals unbeaufsichtigt.
- Dieses Gerät ist für den Einsatz in Haushalten und ähnlichen Anwendungen bestimmt, wie zum Beispiel:
  - Küchenbereiche in Geschäften, Büros und anderen Arbeitsumgebungen
  - die Bauernhöfe
  - in Hotels, Motels und anderen Wohnumgebungen
  - Gästezimmer.

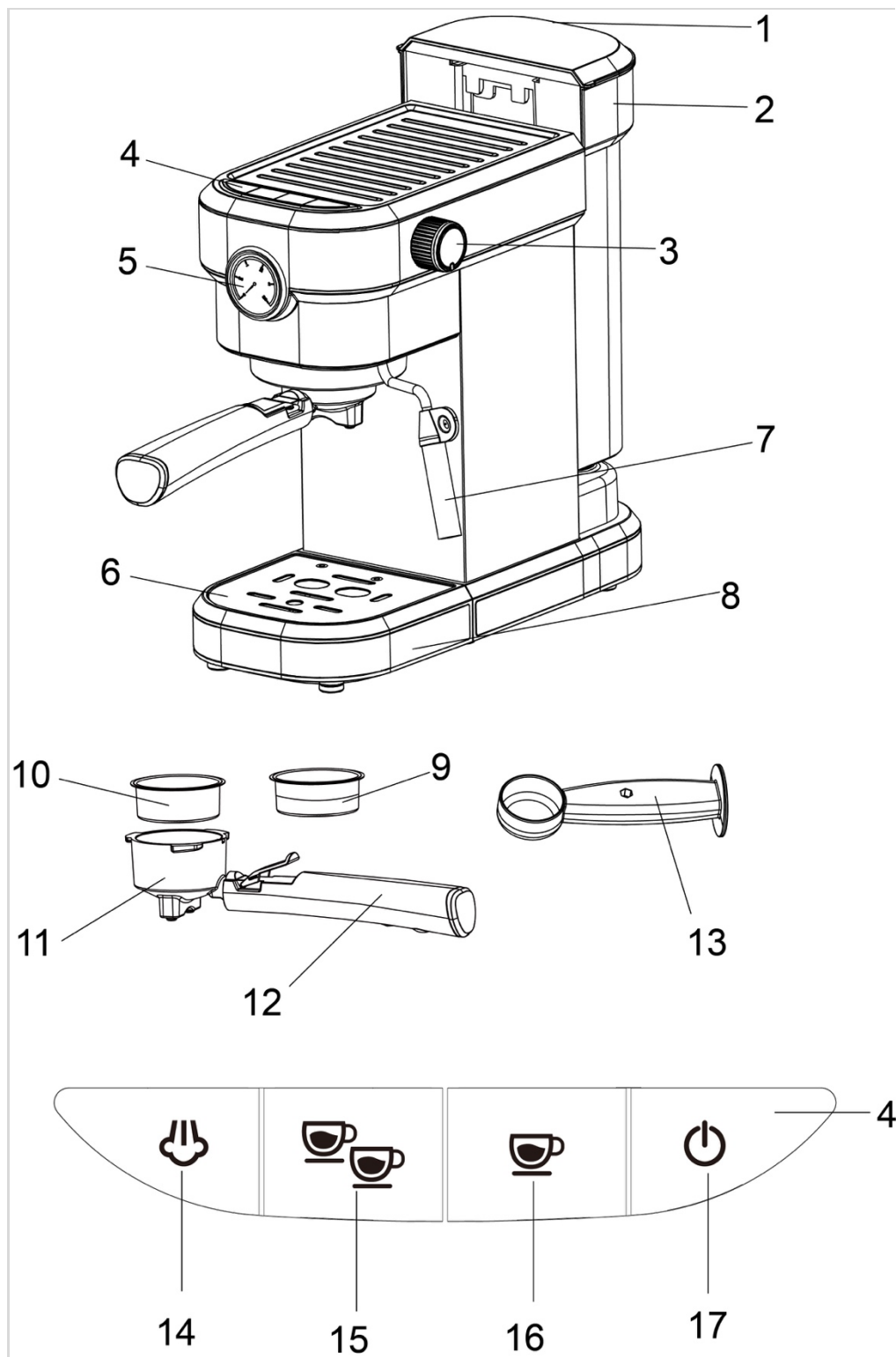
### **PRODUKTEINFÜHRUNG**

Dieses Produkt ist eine Espresso-Kaffeemaschine in dem Kaffeemaschinen-System unseres Unternehmers. Dieses Modell verfügt über eine klassische Atmosphäre, zeichnet sich durch einen reichen Geschmack und Schaum aus, ist einfach zu bedienen, ist sicher und einfach zu reinigen.

### **PRODUKTEIGENSCHAFTEN**

1. Abnehmbarer durchsichtiger Wasserbehälter und eine Abtropfschale
2. Kann jegliche Arten von Espresso zubereiten
3. Haltbare, rostfreie Tassenplatte zum Erwärmen von Kaffeetassen
4. Kann einen Espresso-Kaffee und Milchschaum machen
5. Abnehmbare Aufschäumdüse und Abtropfschale für eine einfache Reinigung
6. Mit einem Druckmesser auf der Fronteinheit und einem Bildschirm

## KENNEN SIE IHRE KAFFEEMASCHINE




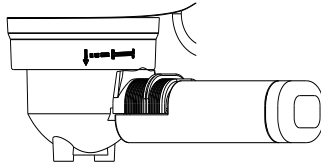
1. Behälter-Abdeckung
2. Wasserbehälter
3. Dampfregler
4. Bedienfeld
5. Druckmesser
6. Tassenplatte
7. Aufschäumdüse
8. Abtropfschale
9. Filter für eine Tasse


10. Filter für zwei Tassen
11. Trichter
12. Aluminiumlegierung-Filterhalterung
13. Kaffeelöffel
14. Dampfregler
15. Taste für zwei Tassen
16. Taste für eine Tasse
17. Power-Schalter





## ERSTER GEBRAUCH/ VORBEREITUNG DER MASCHINE IM KALTEN ZUSTAND

- Gießen Sie Wasser in den Behälter, der Wasserstand darf die „Max“ Markierung auf dem Behälter nicht überschreiten.
- Entnehmen Sie den Trichter aus dem Verpackungskarton, legen Sie diesen in den Filter und schrauben Sie diesen in die entsprechende Position der Maschine. Der Griff des Trichters muss mit der „“ Markierung übereinstimmen.



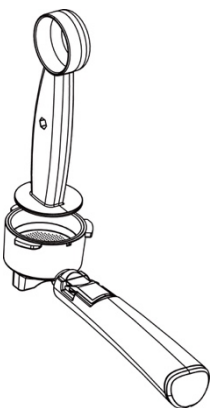
- Schließen Sie das Gerät ans Netz an, dann drücken Sie die "" Taste, die Maschine macht ein Piepton. Die „eine Tasse“ und „zwei Tassen“ Tastenanzeigen werden drei Mal aufleuchten, die Maschine wird aufgewärmt.

(Vergewissern Sie sich, dass der Dampfbremsventil "" ist. Wenn dieser "" ist, werden die vier Anzeigen gleichzeitig leuchten und das Gerät wird nicht funktionieren.)

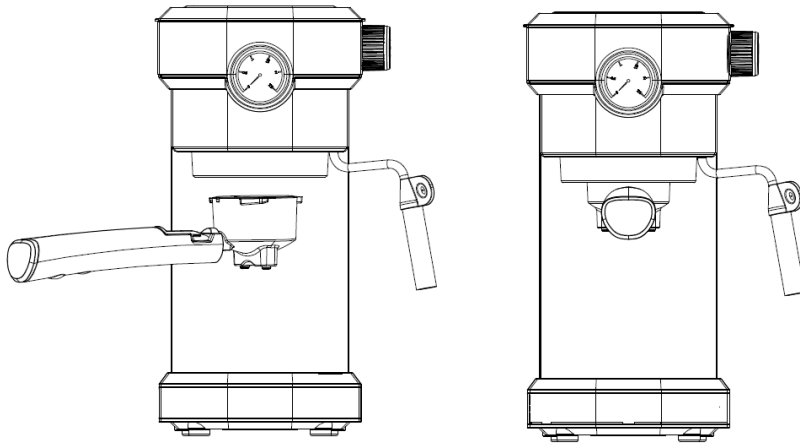
- Wenn die Lichtanzeige von „eine Tasse“ und „zwei Tassen“ andauernd leuchtet, drücken Sie auf die Taste „eine Tasse“, um den Kaffeefilter oder die Kaffeetasse mit heißem Wasser zu reinigen.

## ZUBEREITUNG VON EINEM ESPRESSO-KAFFEE:

- Während die Maschine aufgewärmt wird, kann das gemahlene Kaffeepulver (das Kaffeepulver muss das Pulver Nr. 1 sein, nicht zu dick und nicht zu fein) in den „Metallfilter“ geladen und mit der Pulverpresse komprimiert werden; Währenddessen entfernen Sie das Kaffeepulver am Rande des Trichters mit einer Bürste oder mit der Hand (wenn eine Tasse benötigt wird, benutzen Sie eine Tasse netto, wenn 2 Tassen benötigt werden, benutzen Sie 2 Tassen netto.)



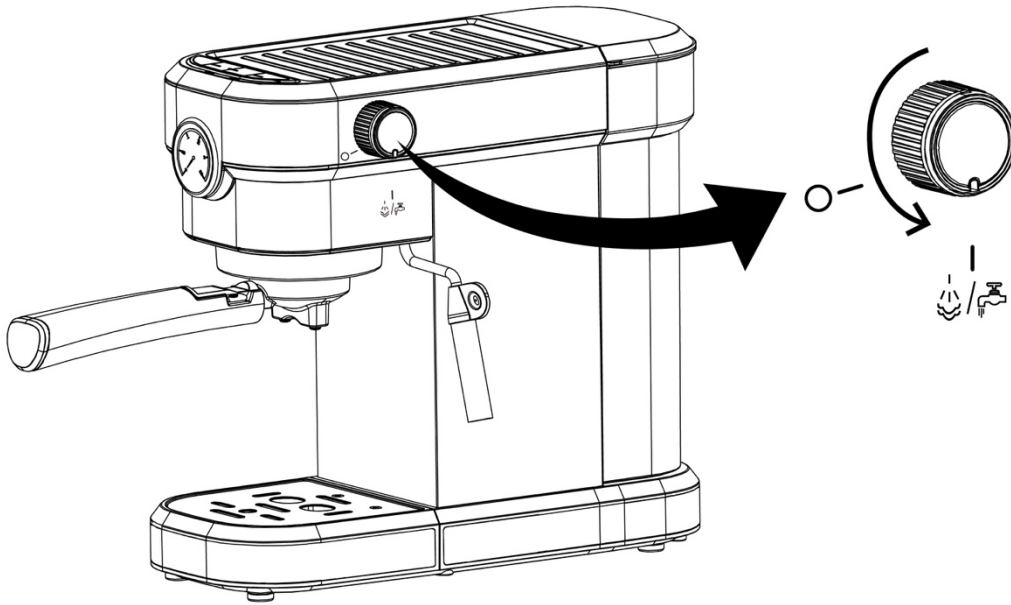
- Setzen Sie den Trichter ein und verriegeln Sie diesen fest wie angezeigt, dann platzieren Sie die Kaffeetasse unter dem Trichter.





- Wenn die "☕", "☕☕" Anzeigen an sind, drücken Sie auf die "☕" Taste mehrmals, eine Tasse Kaffee wird zubereitet. (oder drücken Sie auf die Taste „☕☕“, um zwei Tassen Kaffee zuzubereiten.)
- Gleichzeitig passen Sie die Position der Kaffeetasse an, damit flüssiger Kaffee an der Tassenwand entlang fließen kann.
- Warten Sie, bis der Kaffee abgetropft ist. Fertig!

### DAMPF-MILCHSCHAUMFUNKTION




- Drücken Sie auf "⏻", und dann auf "☞". Diesmal wird die Anzeige "☞" blinken, bis die Anzeige andauernd leuchtet und das Vorheizen abgeschlossen ist.
- Gießen Sie die eisgekühlte Vollmilch in die Latte-Tasse zu 1/3 voll, setzen Sie die Dampfdüse 1 cm in die Milchfläche ein, dann drehen Sie langsam den Dampfregler, bis der Dampf entweicht.








(Hinweis: Die Dampf-Menge kann entsprechend den persönlichen Vorlieben eingestellt werden. Setzen Sie etwas Wasser in dem Dampfrohr vor der Schaumbildung frei)

- Wenn die Milchttemperatur mehr als 75 Grad erreicht und der Milchschaum aufzublasen beginnt, können Sie den „Dampfregler“ auf "  " drehen und auf "  " drücken, um den Vorgang abubrechen.

## HEISSWASSER-FUNKTION




Drücken Sie auf den "  " Schalter, dann drehen Sie den „Dampfregler“ auf "  ", dass heißes Wasser ununterbrochen aus dem Dampfrohr zu fließen beginnt; drehen Sie den „Dampfregler“ auf "  " um die Zufuhr von heißem Wasser abubrechen.

## ZUSATZFUNKTION- SPEICHERFUNKTION BEI DER KAFFEEZUBEREITUNG

- Nachdem die Maschine erhitzt wurde (wenn die "  " und "  " Lichtanzeigen an bleiben), halten Sie die "  " Taste gerückt, der Trichter wird anfangen, den Kaffee auszugießen. Wenn die gewünschte Menge erreicht wird, lösen Sie die "  " Taste, Sie werden einen Ton von der Maschine hören. Dies bedeutet, dass die Zeit gespeichert wurde. Das nächste Mal, wenn Sie auf die "  " Taste drücken, drücken Sie auf diese Zeit, um den Kaffee zuzubereiten (die längste Zeit beträgt 60 Sekunden, die Einstellung ist für mehr als 60 Sekunden ungültig und bleibt bei der voreingestellten Zeit). Hinweis: Wenn die eingestellte Zeit zu kurz ist,



---

wird diese nicht gespeichert, die gespeicherte Zeit muss mehr als 15 ml Abflussmenge ergeben.

- Die Speicherfunktion-Einstellungen für die "  " Taste sind gleich wie die oben beschriebenen.
- Die Werkeinstellungen wiederherstellen: halten Sie "  " + "  " gleichzeitig für 3 Sekunden gedrückt. Die beiden Tasten werden aktiviert und werden 3 Mal ertönen, was bedeutet, dass die Werkeinstellungen wiederhergestellt wurden.

## KÜHLFUNKTION

Wenn die Maschine nach der Dampf-Erzeugung einen Kaffee zubereitet, schalten Sie den „Dampfbreger“ aus, weil die Temperatur zu hoch ist; wenn die „eine Tasse“ oder „zwei Tassen“ Anzeigen blinken werden, muss die Maschine abkühlen. Während dieser Zeit, drehen Sie

den „Dampfbreger“ auf "  ", die Maschine wird anfangen, Wasser zu pumpen, wobei das Dampfrohr kontinuierlich Wasser ablassen und dadurch abkühlen wird. Nachdem die Lichtanzeige schnell geblinkt hat, drehen Sie den „Dampfbreger“ auf "  ", um den Abkühlvorgang anzuhalten. Kaffee kann zubereitet werden, wenn die Power-Anzeige an ist.

## REINIGUNG UND WARTUNG

- Schalten Sie die Stromversorgung ab und reinigen Sie die Maschine, bevor diese komplett abkühlt.
- Wischen Sie die Außenfläche und die Teile der Kaffeemaschine mit einem feuchten Tuch oder einem sauberen Schwamm ab.
- **Hinweis:** Benutzen Sie kein Alkohol oder Lösungsmittel, tauchen Sie die Maschine zum Reinigen nicht in Wasser.
- Schrauben Sie den Kaffeetrichter ab und entfernen Sie den Kaffeesatz in dem Filter.

- 
- Ziehen Sie immer den Netzstecker aus der Steckdose und lassen Sie das Gerät vor der Reinigung abkühlen.

## FEHLERSUCHE

Problem	Ursache	Lösung
Kein Wasser/Dampf	<p>7. Überprüfen Sie, ob es im Wasserbehälter Wasser gibt/ob der Wasserbehälter eingesetzt ist.</p> <p>8. Wasser wurde in die Maschine vorab nicht hinzugefügt.</p> <p>9. Die Maschine ist nicht vorgeheizt.</p>	<p>4. Füllen Sie den Behälter mit Wasser und schalten Sie den Power-Schalter und den Kaffee-Schalter an.</p> <p>5. Wasser in die Maschine hinzufügen: drücken Sie auf die Heißwasser-Taste, die Pumpe wird beginnen, Wasser in die Maschine zu geben, bis Wasser aus der Dampfdüse oder dem Trichter rauskommt.</p> <p>6. Die Maschine muss vorbereitet werden, bevor der Kaffee gemacht werden kann: die Anzeige wird in einen normalen Zustand kommen, ohne zu blinken.</p>
Keine Schmiere	Der Kaffeesatz ist zu dick/ der Satz wird nicht gepresst.	Tauschen Sie das Kaffeepulver aus und flachen Sie dieses mit der Presse ab.
Kein Dampf	<p>5. Schließen Sie die Dampfdüse an</p> <p>6. Der Dampfschalter ist nicht an oder das Wasser wurde nicht genug erhitzt, um Dampf zu bilden.</p>	<p>7. Benutzen Sie einen kleinen Draht durch die Dampföffnung</p> <p>8. Reinigen Sie das Dampfrohr mit heißem Wasser nach der Schaumbildung. Machen Sie den Dampfschalter an, und warten Sie, bis der Vorheizvorgang abgeschlossen ist.</p>
Mehr oder weniger Kaffee	Zu viel oder zu wenig Kaffeepulver	Gemäß der vorgegebenen Pulvermenge, 1 Tasse mit 1 TL zum Pressen, sollte das Kaffeepulver nicht zu dick oder zu fein sein. Zu zähflüssiger Kaffee kann nicht vollständig extrahiert werden, zu feines Pulver kann die Kaffeemenge beeinflussen.
Die Milch schäumt nicht gut	<p>5. Überprüfen Sie, ob Sie Vollmilch verwenden.</p> <p>6. Sie versuchen die Milch aufzuschäumen, bevor die Dampftaste erhitzt wird.</p>	<p>5. Verwenden Sie Vollmilch.</p> <p>6. Der Dampf kann erst dann benutzt werden, wenn die Dampf-Lichtanzeige von einem blinkenden zu einem konstanten Licht wird.</p>
Kein Kaffee, die Kaffeeleuchte und die Dampfleuchte blinken.	Die Temperatur ist nach dem Dampfen zu hoch.	Abkühlen durch Wasser
Der Kaffee wird nicht aufgeköcht	In dem Dampfzustand, der Dampfschalter ist nicht aus.	Drehen Sie den Dampfschalter auf OFF

---

## GARANTIE

Die Garantiezeit für unsere Produkte beträgt 2 Jahre, sofern keine anderen Bestimmungen gelten, ab dem Datum des ursprünglichen Kaufs oder ab dem Lieferdatum.

Bei Problemen oder Fragen können Sie sich an unsere Hilfeseiten, Tipps zur Fehlerbehebung, FAQs und Bedienungsanleitungen auf unserer Kundendienst-Website wenden: <https://sav.hkoenig.com>.

Wenn Sie den Referenznamen Ihres Geräts in die Suchleiste eingeben, erhalten Sie Zugang zu allen verfügbaren Online-Supports.

Wenn Sie immer noch keine Antwort auf Ihre Frage oder Ihr Problem finden, dann klicken Sie auf "Hat die Antwort Ihr Problem gelöst?". Sie können dieses Formular ausfüllen, um Ihre Anfrage zu bestätigen und Hilfe zu erhalten.

## GARANTIEBEDINGUNGEN

Die Garantie deckt alle Defekte ab, die bei normalem, bestimmungsgemäßem Gebrauch und den in der Bedienungsanleitung enthaltenen Spezifikationen auftreten.

Diese Garantie gilt nicht für Probleme mit der Verpackung oder dem Transport während des Versands des Produkts durch den Eigentümer. Sie umfasst auch nicht den normalen Verschleiß des Produkts, die Wartung oder den Austausch von Verschleißteilen.

## AUSSCHLUSS DER GARANTIE

- Zubehör und Verschleißteile (\*).
- Die normale Wartung des Geräts.
- Alle Defekte, die durch unsachgemäßen Gebrauch (Stöße, Nichteinhaltung der empfohlenen Stromzufuhr, schlechte Nutzungsbedingungen usw.), unzureichende Wartung oder Zweckentfremdung des Geräts auftreten, sowie die Verwendung von ungeeignetem Zubehör.
- Schäden durch äußere Einflüsse: Brand, Wasserschäden, elektrische Überspannung usw.
- Alle Geräte, die von anderen als den befugten Personen (insbesondere dem Nutzer) auch nur teilweise auseinandergelöst wurden.
- Produkte, deren Seriennummer fehlt, beschädigt oder unleserlich ist, sodass sie nicht identifiziert werden können.
- Produkte, die vermietet, vorgeführt oder ausgestellt werden.

(\*). Einige Teile Ihres Geräts, die als Verschleißteile oder Verbrauchsmaterialien bezeichnet werden, verschleiben mit der Zeit und der Häufigkeit der Nutzung Ihres Geräts. Diese Abnutzung ist normal, kann aber durch falsche Nutzung oder Pflege Ihres Geräts noch verstärkt werden. Diese Teile sind daher nicht durch die Garantie abgedeckt.

Das mit dem Gerät gelieferte Zubehör ist ebenfalls von der Garantie ausgeschlossen. Sie können daher weder umgetauscht noch erstattet werden. Einige Zubehöerteile können jedoch direkt über unsere Website <https://sav.hkoenig.com/> erworben werden.

---

## UMWELTFREUNDLICHE ENTSORGUNG

### ACHTUNG:



Werfen Sie nicht dieses Produkt, wie es mit anderen Haushaltsprodukten hat. Es gibt eine Mülltrennung von diesem Produkt in Gemeinden, Sie müssen Ihre lokalen Behörden über die Orte, wo man dieses Produkt zurückgeben können zu informieren. In der Tat enthalten elektrische und elektronische Produkte gefährliche Stoffe, die schädliche Auswirkungen auf die Umwelt oder die menschliche Gesundheit haben und sollte recycelt werden. Das Symbol hier darauf hinweisen, dass elektrische oder elektronische Geräte sollten sorgfältig ausgewählt werden, ist ein fahrbarer Abfallbehälter mit einem Kreuz markiert.

Adeva SAS / H.Koenig Europe - 8 rue Marc Seguin, 77290 Mitry-Mory, France  
www.hkoenig.com - <https://kundenservice.hkoenig.com> - Tél: +33 1 64 67 00 05



---

## **NEDERLANDS**

Lees deze handleiding zorgvuldig door voor gebruik en bewaar deze voor toekomstige referentie.

### **BELANGRIJKE VEILIGHEIDSREGELS**

Bij het gebruik van elektrische apparaten moeten de standaard veiligheidsinstructies worden opgevolgd om de kans op vuur, elektrische schok of verwondingen te verkleinen, inclusief de volgende:

- Voor gebruik controleren dat de spanning van het stopcontact overeenkomt met het typeplaatje van het koffiezetapparaat.
- Dit apparaat dient te worden geaard.
- Toezicht is noodzakelijk als het gebruikt wordt in de buurt van kinderen.
- Om een elektrische schok te vermijden in geval van brand, niet de stroomkabel en stekker in water of andere vloeistof houden; Niet de stroomkabel beschadigen, buigen of overstrekken; Plaats geen zware objecten op de kabel.

- 
- Om een elektrische schok te vermijden niet de kabel, stekker of het apparaat in water of een andere vloeistof houden.
  - Gebruik de apparaat niet bij hoge temperaturen, een magnetisch veld of een vochtige omgeving. Plaats het koffiezetapparaat niet op een heet oppervlak, bij een warmtebron of andere elektrische apparaten, zoals een koelkast.
  - Niet het apparaat inschakelen als de kabel of stekker beschadigd is, het koffiezetapparaat kapot of beschadigd is, breng deze dan ter inspectie en onderhoud naar de dichtstbijzijnde reparatiedienst, of neem contact op met de dealer.
  - Gebruik originele accessoires.
  - Dit apparaat is alleen bedoeld voor koffiezetten, gebruik het niet voor andere doeleinden en bewaar het in een droge omgeving.
  - Plaats het koffiezetapparaat op een vlak oppervlak of op een tafel.
  - Laat de kabel niet hangen over de rand van een tafel of aanrecht.

- 
- Als het koffiezetapparaat in werking is, niet de hete onderdelen aanraken.
  - Maak regelmatig de onderdelen schoon en onderhoud ze om zo een goede kwaliteit te behouden en de levensduur van het koffiezetapparaat te verlengen.
  - Niet het apparaat verplaatsen of uitschakelen als deze in werking is.
  - Niet gebruiken zonder water.
  - Voor de veiligheid dient u alle instructies zorgvuldig te lezen en te begrijpen voor een juist gebruik.
  - Niet het koffiezetapparaat, stroomkabel of stekker onderdompelen in water of een andere vloeistof.
  - Alleen voor huishoudelijk gebruik, niet buiten gebruiken.
  - Voor het eerste gebruik eerst tweemaal met schoon water koken om de geur te verwijderen.
  - Bewaar deze instructies voor toekomstig gebruik.
  - Het koffiezetapparaat mag niet in een kast worden geplaatst tijdens gebruik.
  - Schoonmaken en gebruikersonderhoud mag niet worden uitgevoerd door kinderen zonder toezicht.
  - Dit apparaat kan gebruikt worden door kinderen van 8 jaar en ouder, zolang ze toezicht krijgen of instructies

---

voor het veilig gebruik van dit apparaat hebben gehad en ze de bijbehorende gevaren begrijpen. Schoonmaken en gebruikersonderhoud mag niet worden uitgevoerd door kinderen, tenzij ze ouder zijn dan 8 jaar en het onder toezicht gebeurt. Houd het apparaat en de stroomkabel uit de buurt van kinderen jonger dan 8 jaar.

- Dit apparaat kan worden gebruikt door personen met verminderde fysieke, zintuiglijke of mentale vermogens of met gebrek aan ervaring of kennis, op voorwaarde dat zij onder toezicht staan of instructies hebben gekregen over het veilige gebruik van het apparaat en dat zij de mogelijke gevaren volledig begrijpen.
- Kinderen mogen niet met dit apparaat spelen.
- Waarschuwing: verkeerd gebruik kan tot verwondingen leiden. Het verwarmingselement kan na gebruik nog heet zijn.
- **ALLEEN VOOR HUISHOUEDELIJK GEBRUIK**
- Dit apparaat mag worden gebruikt door kinderen vanaf 8 jaar en ouder indien dit gebeurt onder toezicht, als zij van tevoren instructies hebben ontvangen betreffende het veilige gebruik van het apparaat en als zij de mogelijke gevaren kennen.

- 
- Reiniging en onderhoud mogen niet worden uitgevoerd door kinderen tenzij ze 8 jaar of ouder zijn en onder toezicht van een volwassene staan.
  - Houd het apparaat en het snoer buiten bereik van kinderen onder de 8 jaar.
  - Bij het gebruik van elektrische apparatuur moeten altijd veiligheidsmaatregelen worden genomen om het risico van brand, elektrische schokken en/of letsel in geval van verkeerd gebruik te voorkomen.
  - Controleer of de spanning op het typeplaatje overeenkomt met de spanning die op het typeplaatje staat van uw installatie. Als dit niet het geval is, neem dan contact op met de dealer en sluit het apparaat niet aan.
  - Bewaar dit document bij de hand en geef het aan de toekomstige eigenaar in geval van overdracht van uw apparaat.
  - Het apparaat mag niet worden gebruikt als het is gevallen, er zijn duidelijke tekenen van schade zichtbaar of er zijn lekken.
  - Laat het apparaat nooit onbeheerd achter terwijl het in bedrijf is.
  - Dit apparaat is bedoeld voor gebruik in huishoudelijke en soortgelijke toepassingen zoals:

- 
- keukenruimtes in winkels, kantoren en andere werkomgevingen
  - de boerderijen
  - in hotels, motels en andere woonachtige omgevingen
  - gastenkamers.

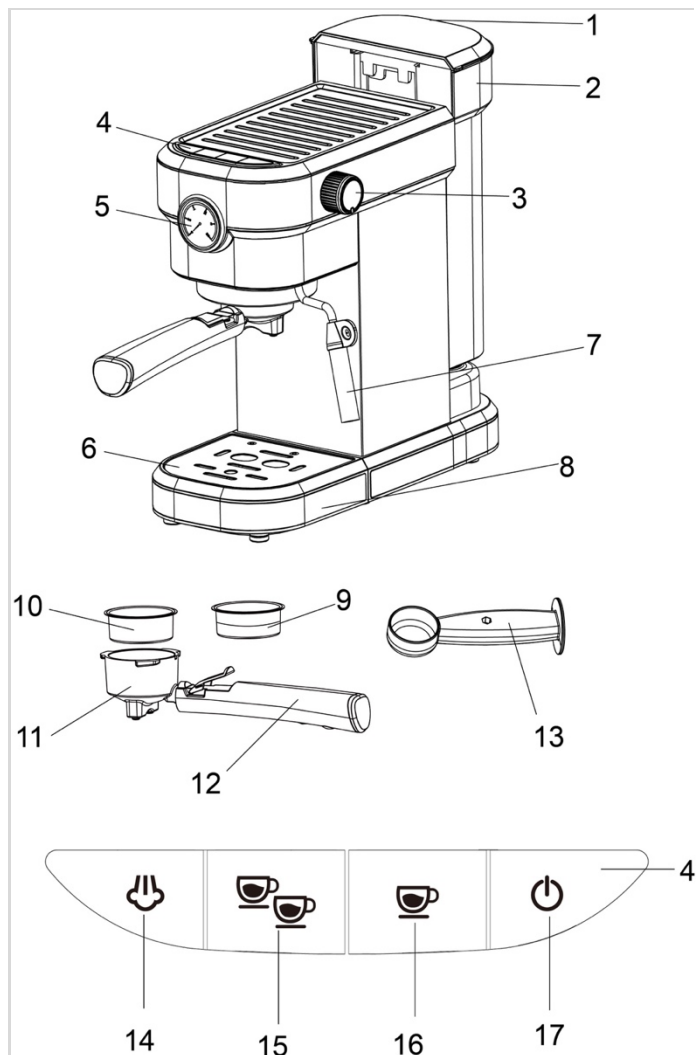
## Productintroductie

Dit product is een espresso-apparaat uit de koffiezetapparatenlijn van ons bedrijf. Dit model is een klassieke, met een rijke koffiesmaak en veel schuim, gemakkelijk in gebruik, veilig en gemakkelijk schoon te maken.

## Voorzieningen van het product

- Verwijderbare doorzichtige watertank en drupbak
- Kan allerlei soorten espresso zetten
- Duurzame roestvrijstalen kopjesplaat voor het voorverwarmen van kopjes
- Kan espresso zetten en ook melkschuim
- Verwijderbare schuimkop en drupbak voor makkelijker schoonmaken
- Met drukmeter aan de voorkant

## KEN UW KOFFIEZETAPPARAAT

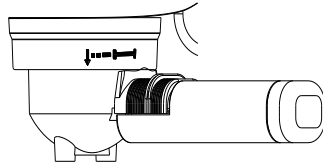


1. Tankafdekking    2. Watertank    3. stoomknop    4. Bedieningspaneel  
5. Drukmeter    6. Kopjesplaat    7. Schuimkop    8. Drupbak  
9. Filter voor één kop    10. Filter voor twee kopjes    11. Trechter  
12. Aluminiumlegering filterhouder    13. Koffielepel    14. Stoomknop

15. Knop voor twee kopjes    16. Knop voor één kop    17. aan/uitknop

### Preparatie voor het eerste gebruik

- Giet water in de tank en het waterniveau mag niet boven de "Max"-indicatie in de tank komen
- Haal de trechter uit de verpakking, plaats een filter en schroef het op de juiste plek op het apparaat. De handgreep van de trechter komt overeen met de "🔒" markering.



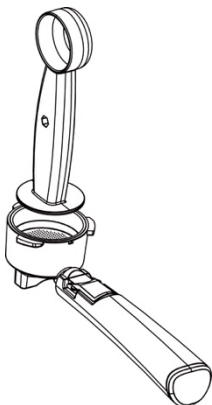
- Steek de stekker in het stopcontact en druk op de "⏻"-knop, het apparaat piept. De knoppen "één kop" en "twee kopjes" knipperen drie keer, het apparaat warmt zich op.

(Zorg dat de stoomknop op "○—" staat. Als die op "☺/🚰" staat, zullen de vier lampjes allemaal gaan branden en zal het apparaat niet beginnen.)

- Als de indicator van "één kop" of "twee kopjes" continu brandt, druk dan op "één knop" om het koffiefilter of kopje te wassen met heet water.

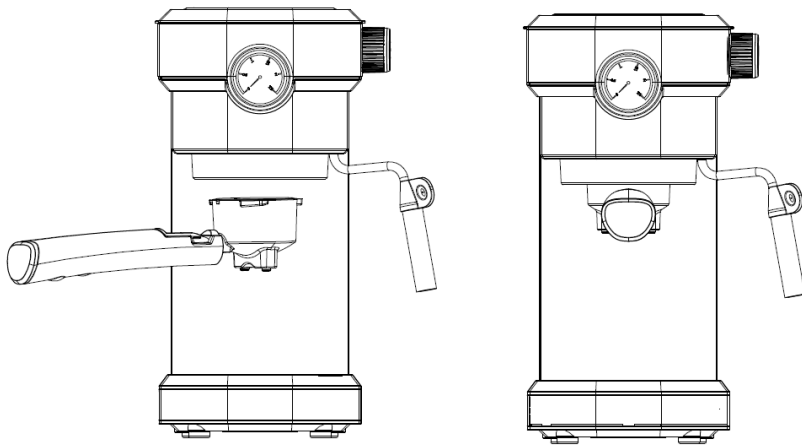
### Espresso zetten:

- Terwijl het apparaat opwarmt, kan de gemalen koffie (de gemalen koffie dient no. 1 te zijn, niet te grof of te fijn) in het "metalen" filter worden geplaatst en worden aangedrukt met de drukker; ondertussen de koffie van de rand van de trechter afvegen met een borstel of de hand (als er 1 kop nodig is, het filter voor 1 kop gebruiken; voor 2 koppen, het filter voor 2 koppen).



- Plaats de trechter en zet deze goed vast volgens de indicatie, plaats dan een kopje onder de trechter.

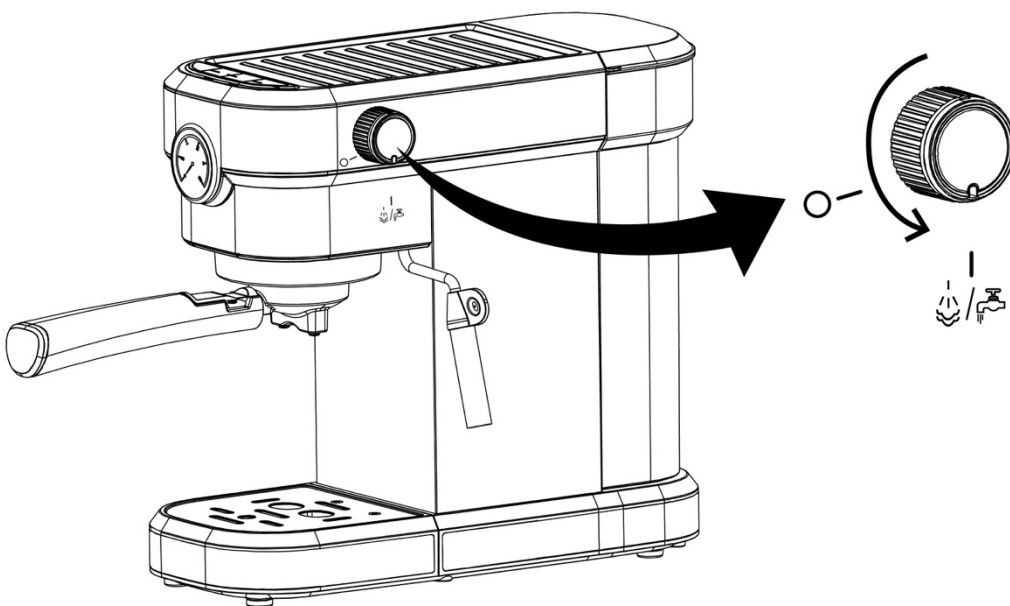




- Als de "☕" , "☕☕" brandt, druk meermaals op "☕" en de koffie en er wordt één kop koffie gezet. (Of druk op de knop "☕☕" om 2 koppen koffie te maken)
- Verplaats ondertussen het kopje zodanig dat de koffie langs de zijkant van het kopje erin stroomt.
- Wacht tot de koffie is uitgedrupt, klaar!



### Stoom melkschuimfunctie

- Druk op "⏻" en dan "☝". Dan begint "☝" te knipperen, tot deze continu gaat branden en het voorverwarmen is afgerond
- Vul het kopje 1/3 met koude melk, plaats de stoommond 1 CM in de melk en draai dan voorzichtig de "stoomknop" los tot er stoom vrijkomt.



---

**(Opmerking:** De hoeveelheid stoom kan aangepast worden naar eigen vakkundigheid. Laat wat water door de stoombuis lopen voor het schuimen)

- Als de melk ongeveer 75 graden heet wordt en het begint te schuimen, kunt u de "stoomknop" draaien tot "  " en op "  " drukken om te stoppen.

## Heetwaterfunctie


Druk op de "  "-knop, draai de "stoomknop" naar "  " en de stoombuis zal heet water vrijlaten; Draai de "stoomknop" naar "  " om het hete water te stoppen.

## Verdere functie -- geheugenfunctie koffiezetten

- Als het apparaat is voorverwarmd (als de "  " en "  " indicatoren blijven branden, druk en houdt "  " ingedrukt en de trechter begint koffie te gieten. Als de gewenste hoeveelheid is bereikt, druk dan op "  ", het apparaat zal een geluidje maken. Dat betekent dat de tijd onthouden is. De volgende keer dat u op "  " drukt, druk dan op deze tijd om koffie te zetten (de langste tijd is 60 seconden, een langere tijd wordt niet opgeslagen, dan blijft de standaard tijd staan). Als de ingestelde tijd te kort was, zal de tijd niet worden opgeslagen, het gemaakte volume dient meer te zijn dan 15ml.
- "  " De instelling van de geheugenfunctie is dezelfde als hierboven.
- Herstel fabrieksinstellingen: druk en houd "  " + "  " gelijktijdig 3 seconden ingedrukt. Als beide knoppen branden en 3 keer piepen, is de fabrieksinstelling weer hersteld.

## Koelfunctie

Als het apparaat koffiezet na het stomen, draai dan de "stoomknop" dicht, omdat de temperatuur te hoog is, zullen de indicatoren van één en twee koppen gaan branden, het apparaat moet dan

afkoelen. Draai dan de "stoomknop" naar "  ", het apparaat begint water op te pompen en de stoombuis zal water later vrijkomen en zo afkoelen. Als de in indicator snel gaat knipperen, draai de "stoomknop" naar "  " en stop het koelproces. Het kan koffiezetten als de hoofdindicator brandt.

---

## Schoonmaken en onderhoud

- Haal de stekker uit het stopcontact en laat het koffiezetapparaat helemaal afkoelen voor het schoonmaken.
- Veeg de buitenkant en de onderdelen van het koffiezetapparaat schoon met een vochtige doek of een schone spons.
- **Opmerking:** Gebruik geen alcohol of agressief schoonmaakmiddel, dompel het apparaat niet onder in water om deze schoon te maken.
- Schroef de koffietrechter los en verwijder de koffie in het filter.
- Haal altijd de stekker uit het stopcontact en laat het apparaat afkoelen voordat u het schoonmaakt.

## Probleemoplossing

Probleem	Reden	Methode
Geen water/stoom	<p>10. Is er water in de watertank/zit de watertank goed?</p> <p>11. Er is vooraf geen water in het apparaat gegoten.</p> <p>12. Het apparaat is niet voorverwarmd.</p>	<p>7. Vul de tank met water en schakel het apparaat in en druk op de koffiezetknop</p> <p>8. Hoe water toe te voegen in het apparaat: Druk op de heetwaterknop, de pomp zal beginnen water in het apparaat te pompen tot er water uit de stoommond of trechter komt.</p> <p>9. Het apparaat dient te worden voorverwarmd voor er koffie gezet kan worden. Dat betekent dat de koffiezetknop normaal gaat branden en niet knippert.</p>
Geen oplossing	De gemalen koffie is te dik/de koffie is niet aangedrukt	Vervang de gemalen koffie en druk het aan met een drukker
Geen stoom.	<p>7. Prik door de stoomuitlaat</p> <p>8. De stoomschakelaar is niet ingeschakeld of het apparaat is niet voorverwarmd om te kunnen stomen</p>	<p>9. Gebruik een dunne draad om door het stoomgat te prikken</p> <p>10. Gebruik de stoombuis met heet water na het schuimen.</p> <p>11. Schakel de stoomfunctie in en wacht tot het voorverwarmen klaar is om te kunnen stomen</p>
Meer of minder koffie	Te veel of te weinig gemalen koffie	Volgens de standaard hoeveelheid gemalen koffie, voor 1 kop, 1 eetlepel aangedrukte gemalen koffie, deze mag niet te grof of te fijn zijn. Te dikke koffie kan niet helemaal worden opgelost, te fijne koffie heeft effect op de hoeveelheid koffie.
De melk schuimt niet goed	<p>7. Is het volle melk?</p> <p>8. De stoomknop wordt ingedrukt voor het apparaat is opgewarmd, er komt melk uit</p>	<p>7. Gebruik volle melk</p> <p>8. Er kan alleen gestoomd worden als de stoomindicator continu brandt en niet knippert.</p>
Geen koffie, koffieindicator en stoomindicator	De temperatuur is te hoog na het stomen	Waterkoeling
Er wordt geen koffie gezet	In de stoomstand is de stoomknop niet uitgeschakeld	Zet de stoomknop op UIT

---

## GARANTIE

De garantieperiode op onze producten is 2 jaar, tenzij anders vermeld, beginnend vanaf de datum van de initiële aankoop of bezorgdatum.

Als u problemen of vragen heeft, kunt u eenvoudig onze hulppagina's bezoeken voor tips om problemen op te lossen, de FAQ's en andere gebruikershandleidingen op onze website: <https://sav.hkoenig.com>.

Door de referentiernaam van uw apparaat in de zoekbalk te typen, krijgt u toegang tot alle beschikbare online hulpmiddelen, ontworpen om aan uw behoeften te voldoen.

Als u toch niet geen antwoord op uw vraag kunt vinden, klik dan op "Heeft het antwoord uw probleem opgelost? Hierdoor gaat u naar het Aanvraagformulier voor Klantenondersteuning, dat u in kunt vullen om uw verzoek te valideren en hulp te ontvangen.

## GARANTIEVOORWAARDEN

De garantie dekt alle mankementen die voortkomen uit normaal gebruik, volgens de sectie gebruik en specificaties in de gebruikershandleiding.

Deze garantie omvat niet verpakings- of transportproblemen tijdens het vervoer van het product door de eigenaar. Het omvat ook niet de normale slijtage van het product, noch het onderhoud of vervangen van verbruiksartikelen.

## UITSLUITINGEN VAN DE GARANTIE

- Accessoires en verbruiksartikelen (\*).
- Normaal onderhoud van het apparaat.
- Alle mankementen veroorzaakt door verkeerd gebruik (schokken, het niet opvolgen van de aanbevolen stroomvoorziening, in slechte omstandigheden gebruiken, etc.), onvoldoende onderhoud of ondeugdelijk gebruik van het apparaat, alsook het gebruik van ongeschikte accessoires.
- Schade van buitenaf: vuur, waterschade, elektrische stroompiek, etc.
- Apparaten die uit elkaar zijn gehaald, ook gedeeltelijk, door personen die niet er niet gekwalificeerd voor zijn (zoals de gebruiker).
- Producten waarvan het serienummer verdwenen, beschadigd of onleesbaar is, waardoor we het niet kunnen identificeren.
- Producten die verhuurd werden of ter demonstratie of showmodel waren.

(\*). Sommige onderdelen van uw apparaat, genaamd verbruiksartikelen, slijten naar verloop van tijd en bij veel gebruik van uw apparaat. Deze slijtage is normaal, maar kan verergerd worden door slechte omstandigheden of onderhoud van uw apparaat. Deze onderdelen worden daarom niet gedekt door de garantie.

De accessoires meegeleverd met het apparaat zijn ook uitgesloten van de garantie. Ze kunnen niet vervangen of gerestitueerd worden. Echter, sommige accessoires zijn te koop via onze website: <https://sav.hkoenig.com/>.

---

## MILIEU

### ATTENTIE:



Dit apparaat mag niet met uw ander huishoudelijke toestellen worden verwijderd. Dit product moet op een geselecteerde stortplaats verwijderd worden. U kunt bij de gemeente een indiceerde plaats aanvragen. Elektrisch en elektronische producten kunnen gevaarlijke stoffen inhouden die schadelijk zijn voor mensen en het milieu en moet recycled worden. Het symbool aan de kant geeft aan dat het een elektrisch en elektronisch toestel is en zijn dus artikelen van een selectieve collectie. Het beeld geeft een afvalbak met een X teken aan.

Adeva SAS / H.Koenig Europe - 8 rue Marc Seguin, 77290 Mitry-Mory, France  
www.hkoenig.com - <https://en.hkoenig.com> - Tél: +33 1 64 67 00 05

---

## ESPAÑOL

**LEA CUIDADOSAMENTE ESTE MANUAL DE INSTRUCCIONES Y GUÁRDELO EN UN LUGAR SEGURO PARA POSIBLES CONSULTAS EN EL FUTURO.**

### **MEDIDAS DE SEGURIDAD IMPORTANTES**

Para utilizar cualquier electrodoméstico, siempre se deben tomar las precauciones básicas de seguridad, dentro de las cuales se incluyen las siguientes:

- Antes de usar compruebe que la tensión de red indicada en la placa de características de la cafetera corresponda a la red eléctrica local.
- El aparato debe estar conectado a tierra.
- Es necesaria una estrecha supervisión cuando se usa la cafetera cerca de niños.
- Para evitar choques eléctricos, no coloque el cable de alimentación y el enchufe en agua u otro líquido; No dañe, doble ni estire el cable de alimentación; No coloque objetos pesados sobre el cable de alimentación.
- Para protegerse contra choques eléctricos, no sumerja el cable de alimentación, el enchufe, ni ninguna parte del

---

aparato en agua u otros líquidos.

- No utilice el aparato en altas temperaturas, campos magnéticos altos y ambientes húmedos. No coloque la cafetera sobre o cerca de ninguna superficie caliente, fuentes de calor u otros aparatos eléctricos, como el refrigerador.
- No use este aparato si se ha caído o dañado de alguna manera o si su cable de alimentación o enchufe están dañados. Diríjase al centro de servicios autorizado más cercano para su inspección y mantenimiento, o comuníquese con el distribuidor.
- Utilice exclusivamente accesorios originales.
- Esta cafetera está diseñada solo para hacer café, no la use para otro fin que no sea el previsto y póngala en un ambiente seco.
- Coloque la cafetera sobre una superficie firme y estable.
- No deje que el cable de alimentación cuelgue del borde de la mesa o mostrador, ni que entre en contacto con superficies calientes.
- Al operar la cafetera, no toque directamente las partes calientes de la superficie.
- Limpie regularmente las partes de la cafetera para garantizar la calidad del café y extender la vida útil de la



---

misma.

- No desenchufe la cafetera cuando esté funcionando.
- No opere sin agua.
- Para garantizar su seguridad, lea atentamente las instrucciones y comprenda el método de uso correcto.
- No sumerja la cafetera o el cable de alimentación en agua u otros líquidos.
- El aparato está diseñado para uso doméstico, no lo use al aire libre.
- Antes de usar la cafetera por primera vez, coloque agua limpia y caliéntela para eliminar el olor. Repita la operación 2 veces.
- Guarde estas instrucciones para referencia futura.
- La cafetera no debe colocarse en un gabinete cuando esté en uso.
- Los niños no deben limpiar o realizar el mantenimiento del aparato.
- Este aparato podrá ser utilizada por niños de 8 años en adelante siempre que hayan sido debidamente instruidos en el uso del aparato de forma segura y entienden los peligros involucrados. Mantenga el aparato y su cable de alimentación fuera del alcance de los niños menores de 8 años. La limpieza y el

---

mantenimiento por parte del usuario no deben ser realizados por niños a menos que sean supervisados.

- Este aparato puede ser utilizado por personas con capacidades físicas, sensoriales o mentales reducidas o con falta de experiencia o conocimientos, siempre que sean supervisadas o instruidas en el uso seguro del aparato y que entiendan perfectamente los peligros potenciales.
- Los niños deben ser supervisados para asegurarse de que no jueguen con el aparato.
- Advertencia: el mal uso puede causar lesiones personales. La superficie del elemento calefactor está sujeta a calor residual después del uso.
- SOLO PARA USO DOMÉSTICO.
- Este aparato puede ser utilizado por niños de al menos 8 años de edad, siempre que cuenten con supervisión y hayan recibido instrucciones sobre el uso seguro del electrodoméstico y sean plenamente conscientes de los peligros que implica.
- La limpieza y mantenimiento de la máquina no debe ser efectuada por niños a menos que tengan como mínimo 8 años de edad y cuenten con la supervisión de un adulto

- 
- Mantenga el aparato y su cable eléctrico fuera del alcance de niños de menos de 8 años.
  - Al utilizar equipos eléctricos, siempre se deben tomar precauciones de seguridad para evitar el riesgo de incendio, descarga eléctrica y/o lesiones en caso de uso indebido.
  - Asegúrese de que la tensión nominal de la placa de características corresponde a la tensión de red de su instalación. Si no es así, póngase en contacto con el distribuidor y no conecte la unidad.
  - Por favor, tenga este documento a mano y entréguelo al futuro propietario en caso de transferencia de su dispositivo
  - El dispositivo no debe utilizarse si se ha caído, si hay signos evidentes de daño o si hay fugas.
  - Nunca deje la unidad desatendida mientras esté en funcionamiento.

- 
- Este dispositivo está diseñado para su uso en aplicaciones domésticas y similares, tales como:
    - áreas de cocina en tiendas, oficinas y otros entornos de trabajo
    - las granjas
    - en hoteles, moteles y otros entornos de tipo residencial
    - habitaciones de invitados.

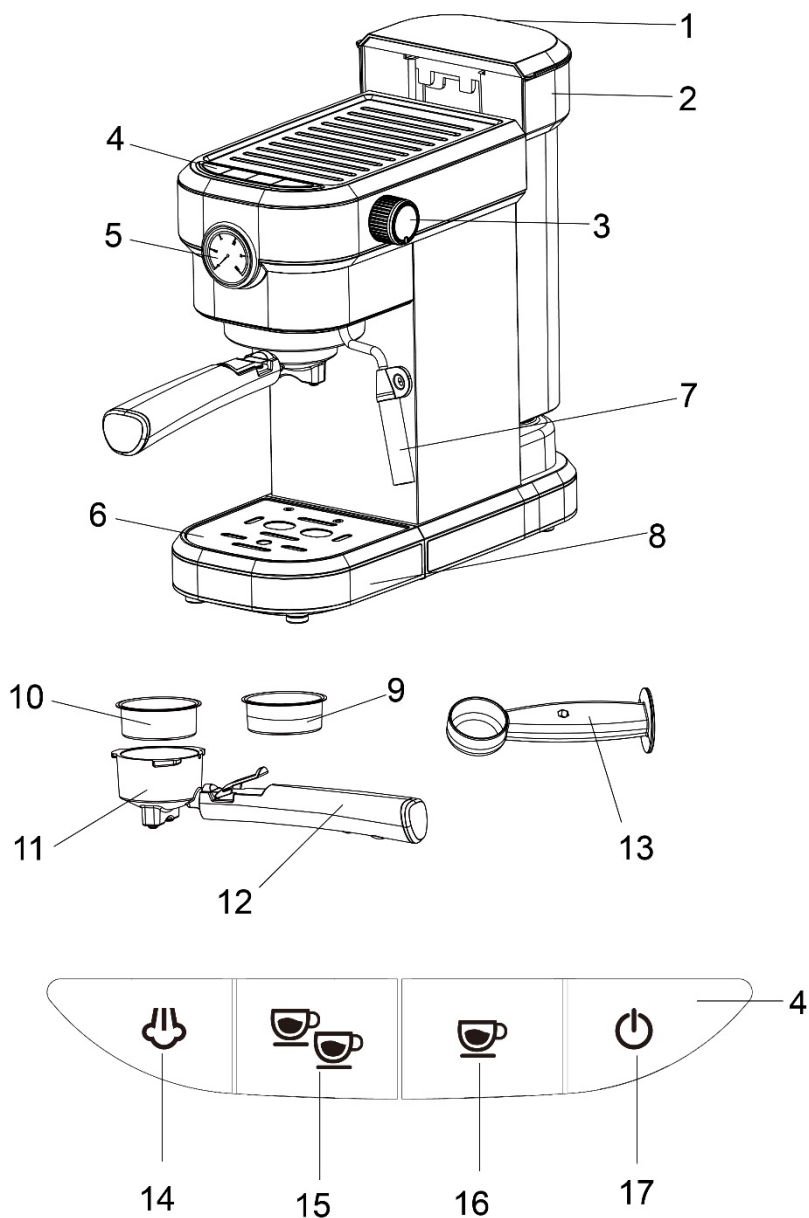
### **INTRODUCCIÓN DEL PRODUCTO**

Este producto es una cafetera express en el sistema de máquina de café de nuestra empresa. Su modelo es de ambiente clásico, diseñada para dejar su café más espumante y sabroso, fácil de operar, segura y fácil de limpiar.

### **CARACTERÍSTICAS DEL PRODUCTO**


1. Depósito de agua transparente y desmontable.
2. Puede hacer todo tipo de café expreso.
3. Plato de acero inoxidable para precalentamiento de tazas de café.
4. Puede hacer café expreso y espuma de leche.
5. Boquilla de espuma desmontable y bandeja de goteo para facilitar la limpieza.
6. Con medidor de presión en la parte frontal.

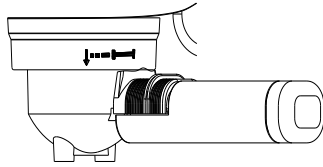
## DESCRIPCIÓN DEL PRODUCTO






1.	Tapa del depósito
2.	Depósito de agua
3.	Perilla de vapor
4.	Panel de control
5.	Medidor de presión
6.	Plato de tazas de café
7.	Boquilla de espuma
8.	Bandeja de goteo
9.	Filtro para 1 taza
10.	Filtro para 2 tazas
11.	Embudo
12.	Porta filtro de aluminio
13.	Cuchara de café
14.	Botón de vapor
15.	Botón para 2 taza de café
16.	Botón para 1 taza de café
17.	Botón de encendido

## PRIMER USO: PRECALENTAMIENTO DE LA CAFETERA.

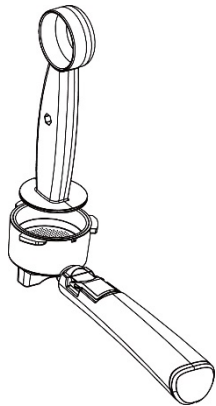
- Vierta el agua en el depósito. El nivel del agua no debe exceder la marca "Máx" en el depósito.
- Retire el embudo de la caja de embalaje, póngalo en el porta filtro y atorníllelo en la posición correspondiente de la cafetera. El mango del embudo deberá alinearse con la marca .



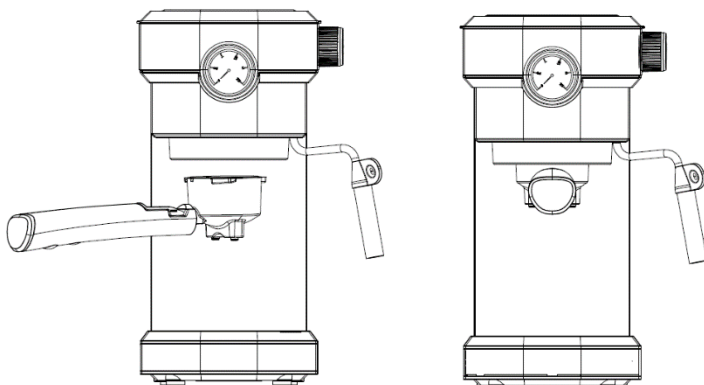
- Enchufe la cafetera al tomacorriente, luego presione el botón . La cafetera emitirá un pitido y a luz del botón "una taza" y "dos tazas" parpadeará tres veces y comenzará a calentarse (asegúrese de que la perilla de vapor esté . Si la perilla está en las cuatro  luces parpadearán juntas y no funcionará).
- Cuando la luz indicadora de "una taza" y "dos tazas" se mantenga encendida, presione el botón de "una taza" para lavar el filtro de café o lave la taza de café con agua caliente.





## PREPARANDO CAFÉ ESPRESSO

- Mientras la máquina está precalentando, el café molido en polvo (el café en polvo debe ser el polvo número 1, no demasiado grueso o fino) puede cargarse en el "filtro de metal" y luego comprimirse con la prensa de polvo; Limpie el borde del embudo con un cepillo para eliminar el polvo de café residual.






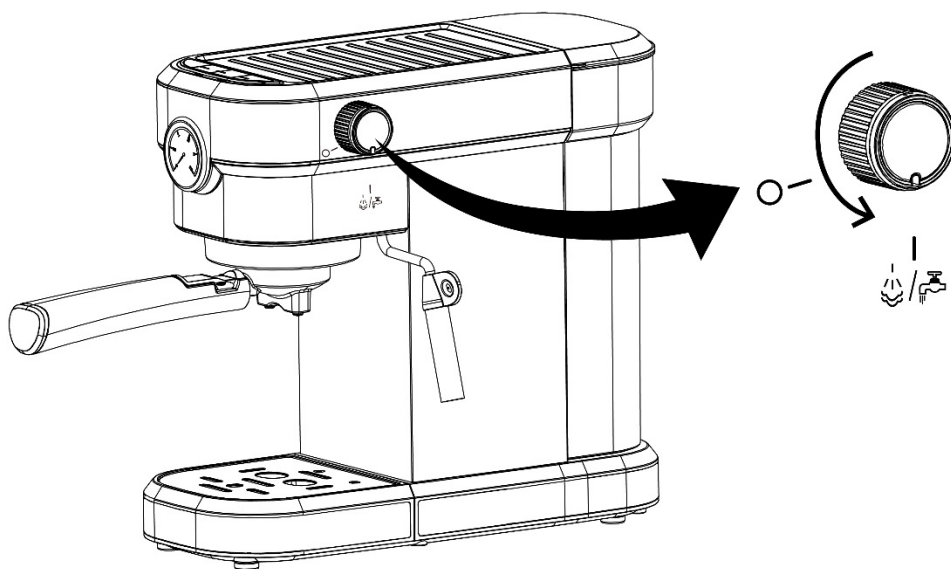
- Inserte el embudo y bloquéelo bien, luego coloque la taza de café debajo del embudo.





- Cuando la luz  y  estén encendidas, presione el botón  varias veces para liberar 1 taza de café o presione la tecla  para liberar 2 tazas de café.
- Ajuste la posición de la taza de café para permitir que el líquido del café fluya hacia la taza a lo largo de la pared de la taza.
- Espere a que el café gotee, claramente el café está listo.

## FUNCIÓN DE VAPOR PARA LECHE ESPUMOSA




- Presione  y luego . En este momento, el indicador  comenzará a parpadear. Cuando el indicador se encienda normalmente el precalentamiento estará finalizado.
- Vierta la leche fresca helada en una taza de café con leche hasta completar un 1/3 de esta, inserte la boquilla de espuma 1cm en la superficie de la leche, luego gire lentamente la "perilla de vapor" hasta que el vapor comience a salir.



(Nota: La cantidad de vapor se puede ajustar de acuerdo con las habilidades personales. Libere un poco de agua de la boquilla de espuma antes de hacer la leche espumosa).









- Cuando la temperatura de la leche alcanza aproximadamente 75 grados y la espuma comienza a inflarse, gire la "perilla de vapor" a  y presione  para cerrar.

## FUNCIÓN DE AGUA CALIENTE

Presione , gire la "perilla de vapor" a  y la boquilla comenzará a verter agua caliente continuamente; Gire la "perilla de vapor" a  para detener el agua caliente.



---

## FUNCIÓN ADICIONAL: MEMORIA PARA PREPARAR CAFÉ

- Después de calentar la cafetera (cuando las luces indicadoras  y  permanecen encendidas) presione y mantenga presionado el botón , y el embudo comenzará a verter café. Cuando se alcanza la cantidad deseada, suelte el botón  y escuchará un sonido de la cafetera. Eso significa que el tiempo ha sido memorizado. La próxima vez que desee preparar café, presione el botón  (el tiempo más largo es 60 segundos, la configuración no es válida por más de 60 segundos. Si configura el tiempo demasiado corto no se guardará en la memoria, el tiempo continuo debe ser para un volumen efluente superior a 15 ml).
- La configuración de la función de memoria para  es la misma que la anterior.
- Para restaurar la configuración de fábrica, mantenga presionado al mismo tiempo  +  durante 3 segundos. Cuando ambos botones estén encendidos y suenen 3 veces, se ha restaurado la configuración de fábrica.

## FUNCIÓN DE ENFRIAMIENTO

Si va a preparar café después del vapor, apague la "perilla de vapor", porque la temperatura es demasiado alta, las luces indicadoras de una taza y dos tazas parpadearán indicando que la

cafetera necesita ser enfriada. En este momento, gire la "perilla de vapor" a , la cafetera comenzará a bombear agua, la boquilla de vapor verterá agua continuamente y se iniciará el enfriamiento. Después de que la luz indicadora parpadee rápidamente, gire la "perilla de vapor" a  y deje que la cafetera se enfriarse. Puede hacer café cuando el indicador de encendido esté encendido.

## LIMPIEZA Y MANTENIMIENTO

1. Desconecte el cable de alimentación del tomacorriente y deje que la cafetera se enfríe por completo.
2. Limpie la carcasa y las partes de la cafetera con un paño húmedo o una esponja limpia.

Nota: Nunca utilice productos de limpieza abrasivos o



inflamables. ¡Nunca sumerja el aparato en agua!

3. Desatornille el embudo y limpie los residuos de café.

4. Desenchufe siempre la unidad de la toma de corriente y deje que se enfríe antes de limpiarla.

#### SOLUCIÓN DE PROBLEMAS

Problema	Causa	Solución
No hay agua/vapor	No hay agua en el depósito o este está atascado en algún lugar. No vierte agua por adelantado. No está precalentando.	Llene el depósito con agua y presione el interruptor de encendido y presione el botón de café. Presione el botón de agua caliente y la bomba comenzará a agregar agua a la cafetera hasta que salga agua de la boquilla de vapor o del embudo. La cafetera necesita precalentarse antes de que se pueda producir el café. Es decir, el indicador pasará de parpadear a constante..
Sin tinta	Los granos de café son demasiado gruesos o no están presionados.	Reemplace el polvo de café y aplánelo con una prensa.
No hay vapor	La boquilla de vapor está tupidada. La perilla de vapor no está encendida o el precalentamiento no se ha completado.	Introduzca un cable pequeño a través de la boquilla de vapor. Limpie la boquilla de vapor con agua caliente después de hacer espuma. Encienda el interruptor de vapor y espere a que se complete el precalentamiento.
Demasiado o muy poco café	Mucho o muy poco café en polvo.	Según la cantidad estándar de polvo, use 1 cucharada a presión para 1 taza. El café en polvo no puede ser demasiado grueso o fino. El café demasiado grueso no se puede extraer por completo y demasiado fino afecta la cantidad de café.
La leche no se espuma lo suficiente.	La leche no está fresca. La boquilla de vapor no se ha calentado.	Utiliza leche fresca El vapor para espumar solo puede iniciarse después de que la luz indicadora pasa de parpadear a constante.
No hay café, luces indicadoras de café y vapor parpadeando.	La temperatura es demasiado alta después de utilizar la boquilla de vapor.	Enfriamiento con agua.
No se hace el café	La perilla de vapor no está en la posición de apagado.	Ponga la perilla de vapor en OFF.

---

## GARANTÍA

El periodo de garantía de nuestros productos es de 2 años, salvo que la ley estipule lo contrario, a partir de la fecha de la compra inicial o de la fecha de entrega.

Si tiene algún problema o pregunta, puede acceder fácilmente a nuestras páginas de ayuda, consejos para solucionar problemas, preguntas frecuentes y manuales de usuario en nuestro sitio de servicio: <https://sav.hkoenig.com>.

Al escribir el nombre de referencia de su dispositivo en la barra de búsqueda, puede acceder a toda la asistencia en línea disponible, diseñada para satisfacer mejor sus necesidades.

Si sigue sin encontrar una respuesta a su pregunta o problema, haga clic en "¿La respuesta ha resuelto su problema? Esto le llevará al formulario de solicitud de asistencia posventa, que puede rellenar para validar su solicitud y obtener ayuda.

## CONDICIONES DE GARANTÍA

La garantía cubre todos los fallos que se produzcan en el contexto de un uso normal, de acuerdo con los usos y especificaciones del manual de usuario.

Esta garantía no se aplica a los problemas de embalaje o transporte durante el envío del producto por parte del propietario. Tampoco incluye el desgaste normal del producto, ni el mantenimiento o la sustitución de piezas consumibles.

## EXCLUSIÓN DE GARANTÍA

- Accesorios y piezas de desgaste (\*).
- Mantenimiento normal del aparato.
- Todas las averías derivadas de un uso incorrecto (golpes, incumplimiento de las recomendaciones de alimentación eléctrica, malas condiciones de uso, etc.), de un mantenimiento insuficiente o de un mal uso del aparato, así como del uso de accesorios inadecuados.
- Daños de origen externo: incendio, daños por agua, sobrecarga eléctrica, etc.
- Cualquier equipo que haya sido desmontado, incluso parcialmente, por personas que no estén autorizadas a hacerlo (en particular el usuario).
- Productos cuyo número de serie falte, esté dañado o sea ilegible, lo que no permitiría su identificación.
- Productos sujetos a alquiler, demostración o exposición.

(\*) Algunas piezas de su aparato, conocidas como piezas de desgaste o consumibles, se deterioran con el tiempo y la frecuencia de uso de su aparato. Este desgaste es normal, pero puede acentuarse por las malas condiciones de uso o de mantenimiento de su aparato. Por lo tanto, estas piezas no están cubiertas por la garantía.

Los accesorios suministrados con el aparato también están excluidos de la garantía. No se pueden cambiar ni reembolsar. No obstante, algunos accesorios pueden adquirirse directamente en nuestro sitio web: <https://sav.hkoenig.com/>

---

## MEDIO AMBIENTE

### ATENCIÓN:



No se deshaga de este producto como lo hace con otros productos del hogar. Existe un sistema selectivo de colecta de este producto puesto en marcha por las comunidades, debe de informarse en su ayuntamiento acerca de los lugares en los que puede depositar este producto. De hecho, los productos eléctricos y electrónicos pueden contener sustancias peligrosas que tienen efectos nefastos para el medio ambiente o para la salud humana y deben ser reciclados. El símbolo aquí presente indica que los equipos eléctricos o electrónicos deben de ser cuidadosamente seleccionados, representa un recipiente de basura con ruedas marcado con una X.

Adeva SAS / H.Koenig Europe - 8 rue Marc Seguin, 77290 Mitry-Mory, France  
www.hkoenig.com - <https://sac.hkoenig.com/> - Tél: +33 1 64 67 00 05

---

## ITALIANO

Leggere questo manuale prima di utilizzare l'apparecchio e conservarlo per riferimenti futuri

### **MISURE DI SICUREZZA IMPORTANTI**

Quando si utilizza un apparecchio elettrico, è necessario prendere alcune precauzioni di sicurezza per ridurre il rischio di incendi, scosse elettriche o danni alle persone, tra cui le seguenti:

1. Prima di utilizzare l'apparecchio, verificare che la tensione della presa di corrente corrisponda a quella della macchina per caffè.
2. L'apparecchio dovrebbe avere messa a terra .
3. È necessaria un'attenta supervisione quando l'apparecchio viene utilizzato in presenza di bambini.
4. Per evitare scosse elettriche in caso di incendio, non mettere il cavo di alimentazione e la spina in acqua o qualsiasi altro liquido; Non danneggiare, non piegare o allungare il cavo di alimentazione; Non posizionare oggetti pesanti sul cavo.
5. Per proteggersi dalle scosse elettriche, non mettere cavo, la spina o la macchina in acqua o altri liquidi.

---

6. Non utilizzare l'apparecchio in caso di alte temperatura, alto campo magnetico e ambienti umidi. Non mettere la macchina da caffè su una superficie calda, nei pressi di una fiamma o altri apparecchi elettrici, come ad esempio un frigorifero.

7. Si prega di non accendere la macchina quando il filo o la spina sono danneggiati, se la macchina del caffè è fuori uso o è danneggiata in qualche modo, restituire l'apparecchio al centro di assistenza autorizzato più vicino per l'ispezione e la manutenzione, o contattare il rivenditore.

8. Si prega di utilizzare accessori originali.

9. Questa macchina è progettata solo per fare il caffè, non utilizzarla per altri scopi, e posizionarla in un ambiente asciutto.

10. Posizionare la macchina per il caffè su una superficie piana o su un tavolo. Non appendere il cavo di alimentazione sul bordo del tavolo o del banco

11. Evitare che il cavo penda dal tavolo o dal top

12. Quando si utilizza la macchina del caffè, non toccare direttamente le parti calde della superficie.

---

13. Pulire regolarmente e preservare le parti della macchina da caffè per garantire la qualità del caffè e prolungare la durata di vita della macchina stessa.

14. Non spostare o spegnere l'alimentazione quando la macchina da caffè è in funzione.

15. Non mettere in funzione senza acqua.

16. Per garantire la sicurezza, si prega di leggere attentamente le istruzioni e comprendere il metodo di utilizzo corretto.

17. Non lavare la macchina da caffè o il cavo di alimentazione in acqua o altri liquidi.

18. Solo per uso domestico, non utilizzare all'aperto.

19. Prima di utilizzare per la prima volta, si prega di fare funzionare due volte con acqua pulita per rimuovere l'eventuale odore.

20 . Conservare questo libretto di istruzioni per future consultazioni.

21 . La macchina per il caffè non deve essere collocata in un armadio quando è in uso.

22 . La pulizia e la manutenzione da parte dell'utente non devono essere eseguite da bambini senza sorveglianza.

23 . Questo apparecchio può essere utilizzato da bambini

---

di età superiore agli 8 anni e solo se sono controllati o sono stati istruiti all'uso dell'apparecchio in modo sicuro e ne comprendano i pericoli connessi. La pulizia e la manutenzione da parte dell'utente non devono essere effettuate dai bambini a meno che non abbiano più di 8 anni e sono sorvegliati. Mantenere l'apparecchio e il cavo fuori dalla portata dei bambini di età inferiore agli 8 anni.

24 . Questo apparecchio può essere usato da persone con ridotte capacità fisiche, sensoriali o mentali o con mancanza di esperienza o conoscenza, a condizione che siano sorvegliate o istruite sull'uso sicuro dell'apparecchio e che comprendano pienamente i potenziali pericoli.

25. I bambini non devono giocare con l'apparecchio.

26 . Attenzione: l'uso improprio può causare lesioni. La superficie dell'elemento di riscaldamento è soggetto a calore residuo dopo l'uso.

27 . SOLO PER USO DOMESTICO.

28 . Questo apparecchio può essere utilizzato da bambini a partire da 8 anni, purché sorvegliati e istruiti all'uso sicuro dell'apparecchio e pienamente a conoscenza dei pericoli che comporta.

29 . La pulizia e la manutenzione non devono essere eseguite da bambini a meno che abbiano più di 8 anni

---

e siano sorvegliati da un adulto.

30. Conservare l'apparecchio e il cavo di alimentazione fuori dalla portata di bambini di età inferiore a 8 anni.

31. Quando si utilizzano apparecchiature elettriche, è necessario adottare sempre misure di sicurezza per prevenire il rischio di incendi, scosse elettriche e/o lesioni in caso di uso improprio.

32. Accertarsi che la tensione nominale sulla targhetta corrisponda alla tensione principale della vostra installazione. In caso contrario, contattare il rivenditore e non collegare l'unità.

33. Si prega di tenere questo documento a portata di mano e di consegnarlo al futuro proprietario in caso di trasferimento del dispositivo.

34. Il dispositivo non deve essere utilizzato se è stato lasciato cadere, sono visibili evidenti segni di danneggiamento o se presenta perdite.

35. Non lasciare mai l'unità incustodita durante il funzionamento.



---

36. Questo dispositivo è destinato all'uso in applicazioni domestiche e simili come:

- zone cucina in negozi, uffici e altri ambienti di lavoro
- le fattorie
- in hotel, motel e altri ambienti di tipo residenziale
- camere degli ospiti.

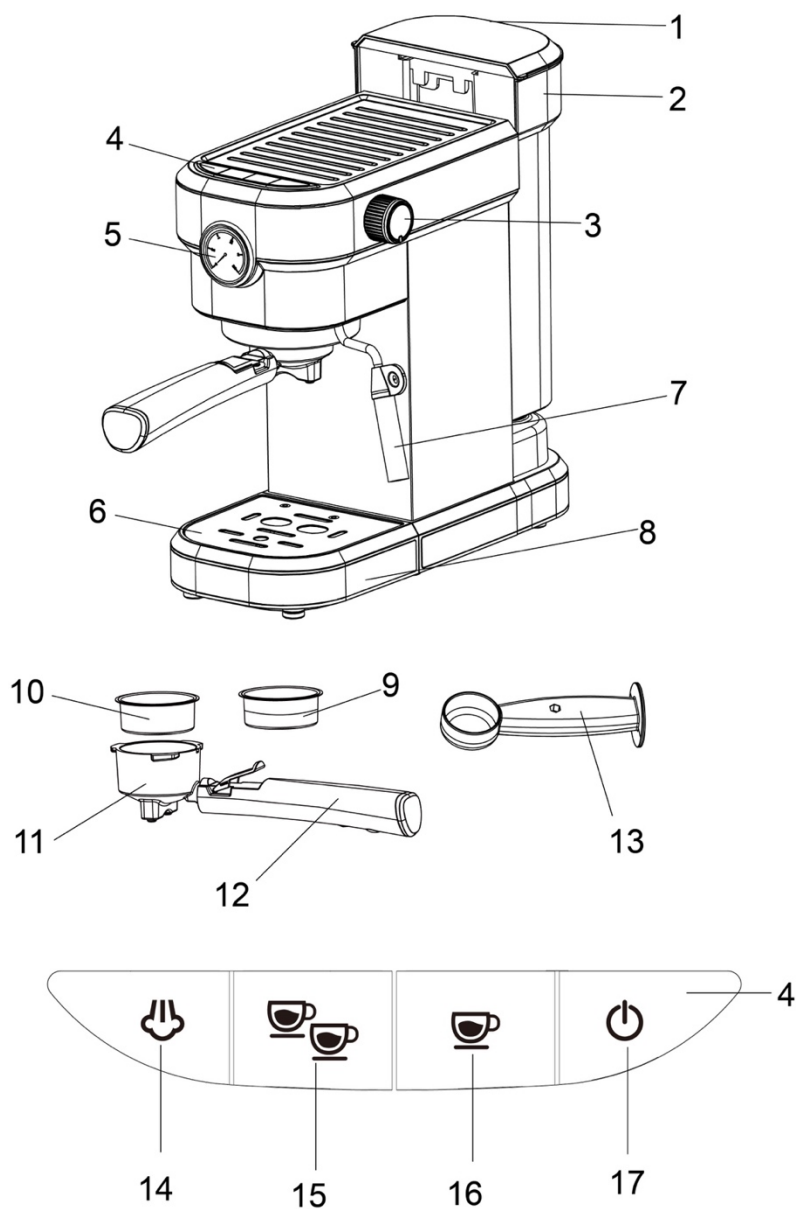
#### **Introduzione al prodotto**

Questo apparecchio è una macchina per caffè espresso nel sistema di macchine per il caffè della nostra azienda. Il suo design richiama un'atmosfera classica, per un caffè dal sapore corposo e ricco di schiuma, una macchina da caffè facile da usare, sicura e facile da pulire

#### **Caratteristiche del prodotto**

1. Serbatoio acqua trasparente e vaschetta amovibili
2. Può fare tutti i tipi di caffè espresso
3. Piatto Tazza in acciaio resistente per tazze preriscaldamento tazze
4. Può preparare caffè espresso e schiuma di latte
5. Ugello schiuma e vaschetta amovibili per una facile pulizia
6. Con misuratore di pressione sul corpo anteriore per una facile visualizzazione

## La vostra macchina per caffè

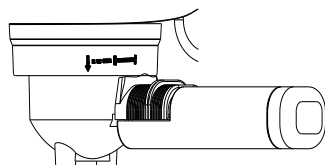


- |                            |                                   |
|----------------------------|-----------------------------------|
| 1. coperchio del serbatoio | 10. filtro a due tazze            |
| 2. serbatoio dell'acqua    | 11. imbuto                        |
| 3. manopola vapore         | 12. portafiltro in lega           |
| 4. pannello di controllo   | 13. cucchiaio caffè               |
| 5. pannello pressione      | 14. manopola vapore               |
| 6. supporto tazza          | 15. pulsante due tazze            |
| 7. ugello schiuma          | 16. pulsante una tazza            |
| 8. vassoio raccogliacqua   | 17. interruttore di alimentazione |
| 9. filtro ad una tazza     |                                   |

---

## Primo uso / preparazione a macchina fredda

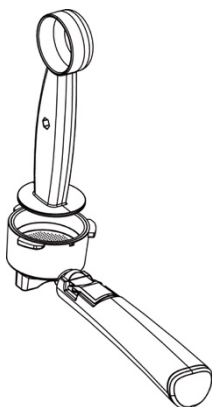
- Versare l'acqua nel serbatoio, il livello dell'acqua non deve superare il segnale "Max" presente nel serbatoio.
- Rimuovere l'imbuto dalla scatola di imballaggio, metterlo nel filtro e avvitarlo nella posizione corrispondente della macchina. La maniglia imbuto è allineata con il simbolo "🔒"



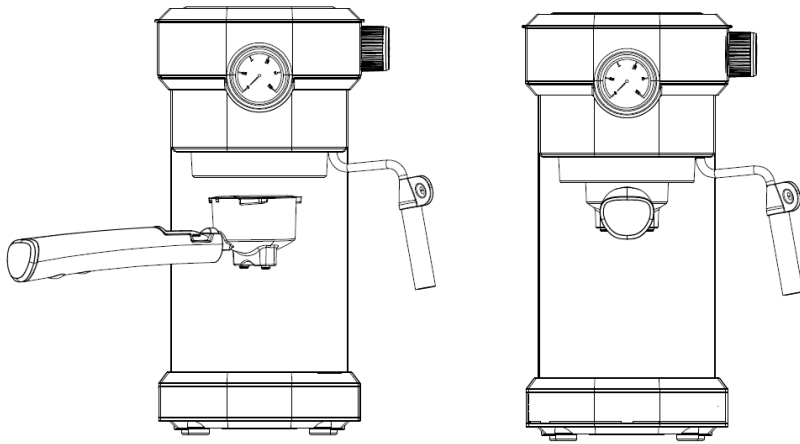
- Collegare l'alimentazione, quindi premere il tasto "⏻", l'apparecchio emette un segnale acustico. I pulsanti 'Una tazza' e 'due tazze' lampeggiano tre volte, la macchina inizia a riscaldarsi.
- (Assicurarsi che la manopola vapore sia "○—". Se è "☕/🔌", Le quattro luci lampeggeranno insieme e non l'apparecchio non funzionerà.)
- Quando la spia di "una tazza" e "due tazze" è rimane accesa, premere il pulsante di "una tazza" per lavare il filtro caffè o la tazza di caffè con acqua calda.

## Preparare il caffè espresso:

- Mentre la macchina è in preriscaldamento, la polvere di caffè macinato (la polvere di caffè deve essere in polvere, non troppo spessa o troppo fine.) Può essere caricato nel "filtro metallico" e poi compresso con l'apposito attrezzo; Nel frattempo, pulire la polvere di caffè sul bordo dell'imbuto con un pennello o (se è necessario 1 tazza, utilizzare il filtro ad 1 tazza, se sono necessarie 2 tazze, utilizzare il filtro a 2 tazze).



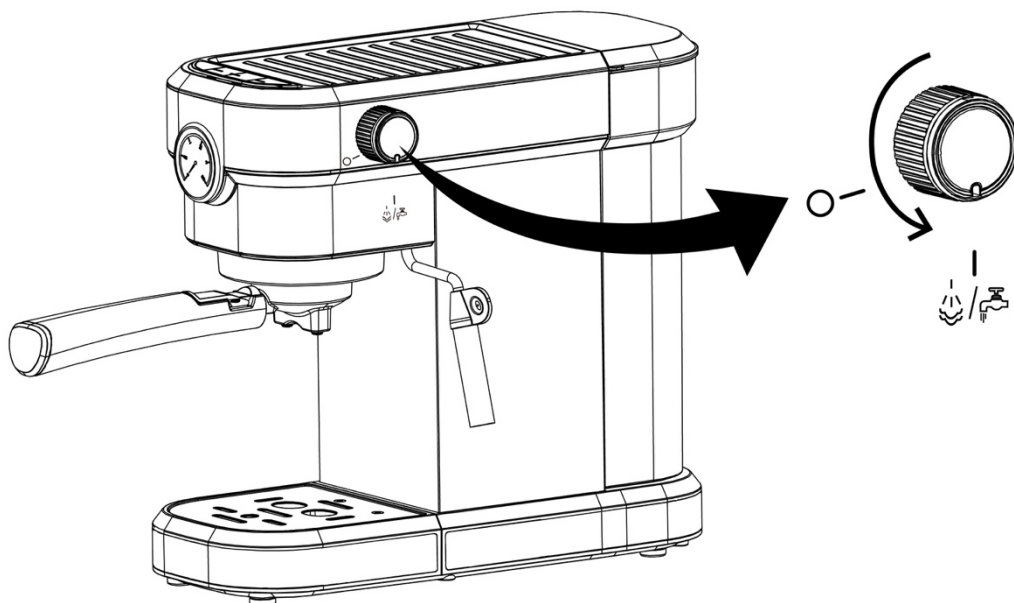
- Inserire l'imbuto e bloccarlo saldamente sul segno indicatore, quindi posizionare la tazza sotto l'imbuto.





- Quando il spia "☕" "☕☕" è accesa, premere il tasto "☕" "Più volte e il caffè inizierà a defluire. (O premere il tasto "☕☕" "Per far fuoriuscire 2 tazze di caffè)
- Allo stesso tempo, regolare la posizione della tazza di caffè per consentire al caffè di entrare nella tazza lungo la parete della tazza stessa.
- Attendere che il caffè goccioli, il gioco è fatto!

### Funzione vapore per schiuma di latte




- Premere "⏻" e poi "☞" "In questo momento, l'indicatore" "☞" inizia a lampeggiare finché l'indicatore si accende normalmente e il preriscaldamento è completo.
- Versare il latte intero ghiacciato nella tazza di latte a circa 1/3 della tazza, inserire l'ugello per 1CM nella superficie del latte, quindi svitare lentamente la "manopola vapore" finché il vapore inizia ad uscire.








(Nota: la quantità del vapore può essere regolata in base alle competenze personali rilasciare un po' d'acqua dal tubo di vapore prima della formazione della schiuma.)




- Quando la temperatura del latte raggiunge circa 75 gradi e la schiuma di latte inizia a gonfiarsi, è possibile ruotare la "manopola vapore" a "  "E premere"  "chiudere.

### Funzione acqua calda

Premere il pulsante "  ", ruotare la 'manopola vapore' su"  "E il tubo del vapore inizia a scaricare continuamente acqua calda; Ruotare la 'manopola vapore' su"  "Fermare l'acqua calda.



### Funzione supplementare - memoria funzione

- Dopo che la macchina viene riscaldata (quando le spie "  " e "  " diventano fisse, tenere premuto il pulsante "  " e l'imbuto inizia a versare il caffè. Una volta raggiunta la quantità desiderata, rilasciare il pulsante"  ", si sentirà un suono dalla macchina. Ciò significa che il tempo è stato memorizzato. La prossima volta che si preme il pulsante "  ", Premere il tasto una sola volta per fare il caffè (il tempo più lungo è di 60 secondi, l'impostazione non è valida per più di 60 secondi, e rimane al tempo predefinito) Attenzione: Se il tempo selezionato è troppo breve, il non verrà salvato, il volume di liquido dovrebbe essere più di 15 ml.

- 
- "  "L' impostazione delle funzioni della memoria è la stesso come sopra.
  - Ripristinare le impostazioni predefinite: premere e tenere premuto "  "+"  "Per 3 secondi, allo stesso tempo. Quando entrambi i tasti restano accesi e vengono emessi 3 suoni, le impostazioni di fabbrica sono state ripristinate.

### Funzione raffreddamento

Quando la macchina prepara il caffè dopo aver utilizzato la funzione vapore, spegnere l' "interruttore vapore", perché la temperatura è troppo elevata, la spia duna tazza e due tazze lampeggia, la macchina deve essere raffreddata. A questo punto, ruotare la "manopola vapore"

su"  "La macchina inizia a pompare acqua, e il tubo del vapore inizia a scaricare continuamente acqua per raffreddarsi. Quandola spia lampeggia rapidamente, ruotare la 'manopola vapore' su"  "E smettere il raffreddamento. È possibile fare il caffè, quando l'indicatore di alimentazione è acceso.

### Pulizia e manutenzione

1. Disconnettere l'apparecchio e lasciare la macchina del caffè pulita prima che si raffreddi completamente.
  2. Pulire l'esterno e le parti della macchina per il caffè con un panno umido o una spugna pulita.
- Nota:** Non usare alcol o detergente per solventi, non immergere la macchina in acqua per la pulizia.
3. Svitare l'imbuto del caffè e pulire i residui di caffè nel filtro.
  4. Scollegare sempre l'unità dalla presa elettrica e lasciarla raffreddare prima di pulirla.

## Soluzione dei problemi

Problema	Motivo	Soluzione
Mancanza di acqua / vapore	<ol style="list-style-type: none"> <li>1. Controllare che ci sia acqua nel serbatoio acqua / controllare se il serbatoio dell'acqua è bloccato nella giusta posizione</li> <li>2. Non c'è acqua nella macchina.</li> <li>3. La macchina non è preriscaldata.</li> </ol>	<ol style="list-style-type: none"> <li>1. Riempire il serbatoio con acqua e accendere l'interruttore di alimentazione e l'interruttore caffè</li> <li>2. Come aggiungere acqua alla macchina: premere il pulsante di acqua calda, e la pompa inizia a aggiungere l'acqua nella macchina fino a quando c'è l'acqua che esce dal tubo vapore o imbuto.</li> <li>3. La macchina deve essere preriscaldata prima che il caffè possa essere prodotto.</li> </ol>
Nessun grasso	La polvere di caffè sono troppo spessi / non vengono premuti	Sostituire la polvere di caffè e appiattirla con una pressa
No c'è vapore	<ol style="list-style-type: none"> <li>1. Collegare l'uscita del vapore</li> <li>2. l'Interruttore vapore non è acceso o IL preriscaldamento non è completato per accendere il vapore</li> </ol>	<ol style="list-style-type: none"> <li>1. Utilizzare un ago nel foro di vapore</li> <li>2. Pulire il tubo del vapore con acqua calda dopo la formazione di schiuma.</li> <li>3. Accendere l'interruttore del vapore, e attendere il che il preriscaldamento sia completo prima di utilizzare il vapore</li> </ol>
Troppo o poco caffè	Troppo o troppo poco caffè in polvere	Secondo la quantità standard di polvere, 1 tazza con 1 cucchiaino a pressione, può essere troppo spesso o troppo poco. Troppo caffè non può essere completamente estratto, se è troppo poco può influenzare la quantità di caffè.
Il latte non schiuma bene	<ol style="list-style-type: none"> <li>1. controllare che sia latte intero</li> <li>2. Il preriscaldamento non è terminato</li> </ol>	<ol style="list-style-type: none"> <li>1. Usare latte intero</li> <li>2. Il vapore fuoriesce solo dopo che la spia lampeggiante diventa fissa</li> </ol>
Il caffè non esce, le spie del caffè e del vapore lampeggiano	La temperatura è troppo elevata dopo il vapore	Fare raffreddare con la funzione raffreddamento
Il caffè non viene prodotto	La macchina è in funzione vapore, posizionare la manopola vapore su off	Posizionare la manopola vapore su off

---

## GARANZIA

Il periodo di garanzia per i nostri prodotti è di 2 anni, se non diversamente stabilito dalla legge, a partire dalla data di acquisto iniziale o di consegna.

Se avete problemi o domande, potete facilmente accedere alle nostre pagine di aiuto, consigli per la risoluzione dei problemi, FAQ e manuali d'uso sul nostro sito post-vendita: <https://sav.hkoenig.com>.

Digitando il nome di riferimento del tuo dispositivo nella barra di ricerca, puoi accedere a tutto il supporto online disponibile, progettato per soddisfare al meglio le tue esigenze.

Se ancora non riesci a trovare una risposta alla tua domanda o al tuo problema, allora clicca su "La risposta ha risolto il tuo problema? Questo vi porterà al modulo di richiesta di supporto post-vendita, che potete completare per convalidare la vostra richiesta e ottenere aiuto.

## CONDIZIONI DI GARANZIA

La garanzia copre tutti i guasti derivanti da un uso normale, in conformità con gli usi e le specifiche del manuale utente.

Questa garanzia non si applica a problemi di imballaggio o di trasporto durante la spedizione del prodotto da parte del proprietario. Non include inoltre la normale usura del prodotto, né la manutenzione o la sostituzione delle parti di consumo.

## ESCLUSIONE DELLA GARANZIA

- Accessori e parti soggette a usura (\*).
- Normale manutenzione dell'apparecchio.
- Tutti i guasti derivanti da un uso improprio (urti, mancato rispetto delle raccomandazioni sull'alimentazione, cattive condizioni d'uso, ecc.), da una manutenzione inadeguata o da un uso improprio dell'apparecchio, nonché dall'uso di accessori inadeguati.
- Danni di origine esterna: incendio, danni d'acqua, sovratensione elettrica, ecc.
- Qualsiasi attrezzatura che sia stata smontata, anche parzialmente, da persone diverse da quelle autorizzate a farlo (in particolare l'utente).
- Prodotti per i quali il numero di serie è mancante, danneggiato o illeggibile, il che non permetterebbe la sua identificazione.
- Prodotti soggetti a noleggio, dimostrazione o esposizione.

(\*) Alcune parti del suo apparecchio, note come parti soggette a usura o materiali di consumo, si deteriorano con il tempo e la frequenza d'uso del suo apparecchio. Questa usura è normale, ma può essere accentuata da cattive condizioni d'uso o di manutenzione del vostro apparecchio. Queste parti non sono quindi coperte dalla garanzia.

Anche gli accessori forniti con l'apparecchio sono esclusi dalla garanzia. Non possono essere scambiati o rimborsati. Tuttavia, alcuni accessori possono essere acquistati direttamente dal nostro sito web: <https://sav.hkoenig.com/>.



---

## AMBIENTE

### ATTENZIONE:



Non gettare quest' apparecchio tra i rifiuti domestici. Per questo tipo di prodotti è fornito dai comuni un sistema di raccolta e ritiro in zona ed è quindi un dovere informarsi per conoscere il giusto smistamento del rifiuto. Infatti, i prodotti elettrici ed elettronici possono contenere sostanze pericolose che hanno effetti dannosi sull'ambiente o sulla nostra salute e quindi devono essere riciclati. Il simbolo al lato indica che le apparecchiature elettriche ed elettroniche fanno parte di una raccolta selettiva e differenziata (rappresentata da un bidone su due ruote sbarrato da una croce).

Adeva SAS / H.Koenig Europe - 8 rue Marc Seguin, 77290 Mitry-Mory, France  
www.hkoenig.com - <https://assistenza.hkoenig.com> - Tél: +33 1 64 67 00 05



Points de collecte sur [www.quefairedemesdechets.fr](http://www.quefairedemesdechets.fr)  
Privilégiez la réparation ou le don de votre appareil !