

# H.koenig

**Instructions manual**

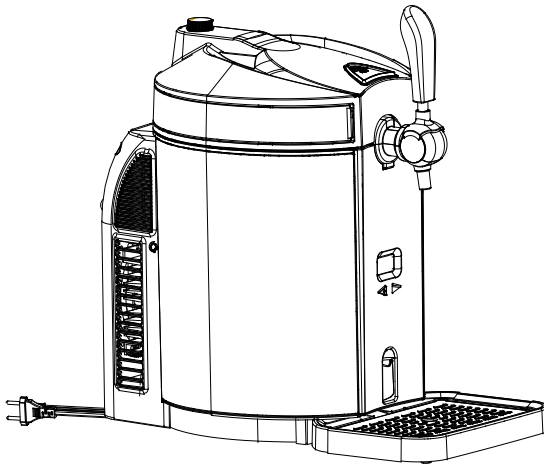
**Manuel d'utilisation**

**Bedienungsanleitung**

**Handboek**

**Manual de Utilización**

**Manuale d'uso**



**BW1880**

**BEER COOLER**

**TIREUSE A BIÈRE**

**BIERKÜHLER**

**BIERKOELER**

**CERVEZA ENFRIADOR**

**SPILLATORE BIRRA FREDDA**



# **ENGLISH**

*Please read the instruction manual carefully before installing and operating, and keep it for future reference.*

## **INTRODUCTION**

This is a household beer cooler, equipped with a CO2 cartridge pressure system to keep the beer fresh. It brings the beer to the best temperature for cold storage (0 to 4°C) within 19-21 hours.

The beer cooler will keep the 5L Keg cool for an almost indefinite period. We do, however, suggest that you initially cool your beer keg for at least 12 hours in your refrigerator before placing it into the beer cooler.

## **IMPORTANT SAFETY INSTRUCTION**

We have provided many important safety messages in the instruction manual for the beer cooler. Before use it, please read and obey all safety rules and operating instructions; and put the instruction manual in a safe place for future reference.

### **Safety Instruction**

- Before use it, check whether the power cord is well connected or not; if not, please don't use it, and call service center;
- If the supply cord is damaged, it must be replaced by the manufacturer or its service agent or a similarly qualified person in order to avoid a hazard.
- Before use it, check whether the plug conform with the socket or not; if not, please don't use it, and call service center;
- Do not connect or disconnect the electric plug when your hands are wet.
- Place the beer cooler on a dry and horizontal surface.
- To ensure proper ventilation for the beer cooler, make sure the

beer cooler is at least 5 inches / 10cm away on either side so as to allow correct ventilation on the appliance.

- Never put the beer cooler under the sunlight.
- Never cover the beer cooler when it is operating by some other object.
- The beer cooler must be installed in an area protected from the elements, such wind, rain, water spray or drips.
- Before proceeding with cleaning and maintenance operation, make sure the power line of the unit is disconnected. Failure to do so can result in electric shock or death.
- Do not immerse the beer cooler or power plug in the water or other liquid.
- Do not use coarse cloth, abrasive stuff to clear the beer cooler
- Do not take beer keg out from the beer cooler if the beer is not drunk out completely.
- Do not take the CO2 cartridge off before the inside CO2 use out.
- Do not use the CO2 cartridge if the room temperature is over 49°C/120F. Failure to do so can result in explosion or death.
- Never allow children to operate, play with or crawl inside the beer cooler.
- This device is not intended for use by persons with reduced capacity on the physical, mental or sensory or lack of experience and knowledge (including children), unless he has them was asked to monitor or if they have had instructions on the use of the appliance by a person responsible for their safety. Children should be supervised to ensure they do not play with the device.
- If the power cord is damaged, it must be replaced with an after-sales service to avoid any danger.

# HOW TO SELECT A KEG

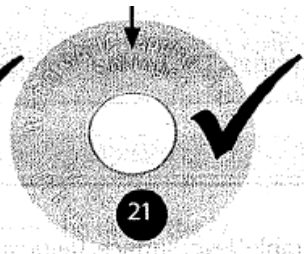
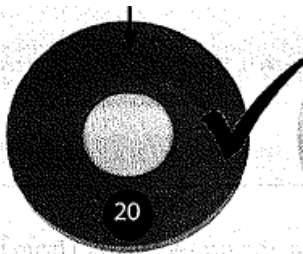
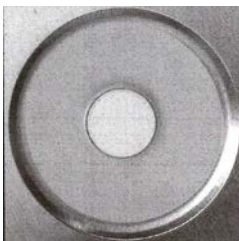
- Sealed 5L universal keg and Heineken keg applies only
- Pay close attention to safety and storage messages about the keg / on the keg.
- Check the keg is neither damaged nor beer out-of-date before purchasing.
- Protect the top surface from being damaged. Otherwise it could be difficult of accession for the suction tube.
- Keep the keg in a rather cold for 12 hours but not too cold place (e.g. refrigerator) until next use.
- Never shake the keg before use
- Never put the beer keg under the sunlight



## BEER KEG SEALANT

All 5 Liter beer keg with the below various appearance sealants can apply to the beer cooler, however, you should follow the information as below

\*The sealants with code No. 20 and 21 can be pierced simply by the cooler piercing pin.



\*The sealants with code No. 22 need to be removed off the marking ring from the sealant and pierce the keg by cooler piercing pin. (Show as figure 1)



\*The difference between code No 23 and 24 is the safety clasp quantity. Pull up the safety clasp carefully, turn around and take it out from the keg; replaced it by the sealant (like code No 2 sealant) provided in the beer cooler, attach it to the beer keg, and pierce it by cooler piercing pin. (Show as Figure 3).



Figure 1

(Important: Before replacing the sealants or piercing the cooler kit, you must always follow the instructions marked on the keg to eliminate the excess gas and ensure that the keg has rested long enough to avoid foam coming out through the cooler piercing pin /tap faucet. And it is no need to release the gas and replace the seal rubber if you use Heineken keg, because Heineken keg has its own CO2 pressure inside, and no need to be provided from outer CO2 pressure system.

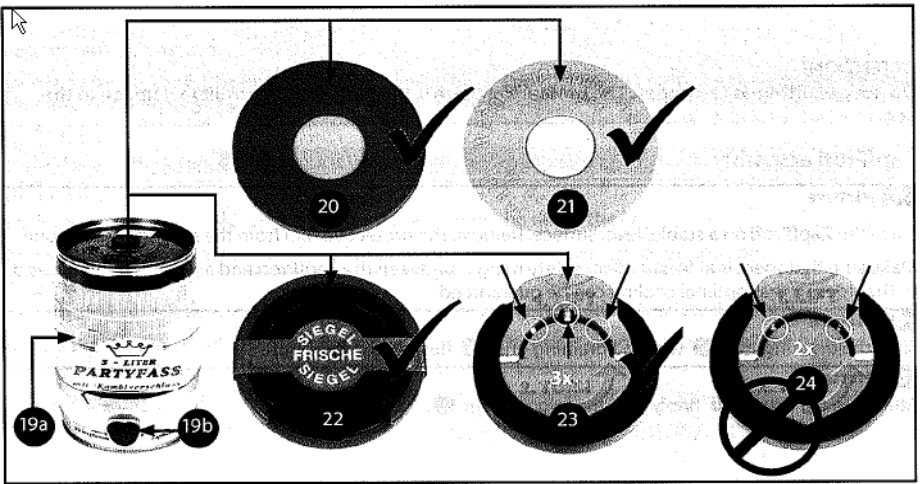


Figure 2



Figure 3

## SPECIFICATIONS

Item	Descriptions	Specification
1	Voltage	AC 220-240V/50Hz
2	Available capacity	5 liter beer keg
3	Rated operating power	65W
4	Cooling performance	2~12°Cadjustable (room temperature 22~24°C)
5	Noise level	≤38dB(A); (ambient noise ≤25dB(A))
6	Dimensions	W272*D480*H470mm

7	Net weight	6.4±0.3Kg
8	CO2 pressure out unit	√
9	Stainless steel appearance	√
10	Aluminum radiator system	√
11	Semi-conductor cooling technology	√
12	Water conduction cooling system	√
13	LED display function	√
14	Manual drainage outfit	√
15	Detachable water drip tray	√
16	Temperature adjustable	√
17	Cool preservation system	PU insulation / Weight 310±5g
18	Climate type	N/SN

## PARTS & FEATURE

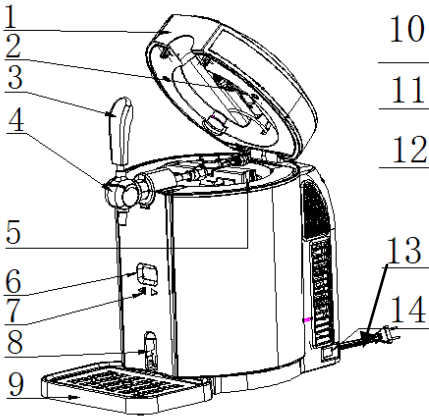


Figure 4

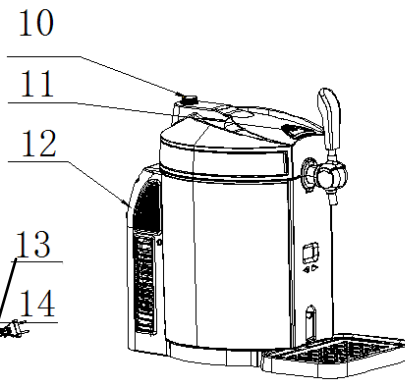


Figure 5

- |                           |                                     |
|---------------------------|-------------------------------------|
| 1. Top cover              | 8. Drain switch                     |
| 2. CO2 cartridge sheath   | 9. Drip tray                        |
| 3. Tap handle             | 10. CO2 pressure relief valve/ knob |
| 4. Tap                    | 11. Door lock button                |
| 5. Keg lifter             | 12. Rear cover                      |
| 6. LED display            | 13. Power cord & plug               |
| 7. Digital control button | 14. AC power switch                 |

## INSTALLATION & OPERATION

### A. INSTALLATION

1. Take out the beer cooler from its package. Place the beer cooler on a steady and horizontal surface, and make sure the beer cooler is at least 5 inches/10 cm away from other appliances or wall on each side so as to allow correct ventilation on the appliances, get better performance.

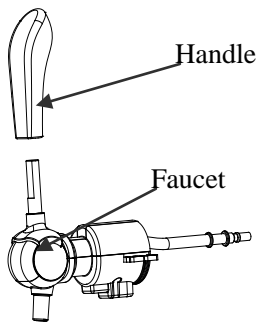


Figure 6

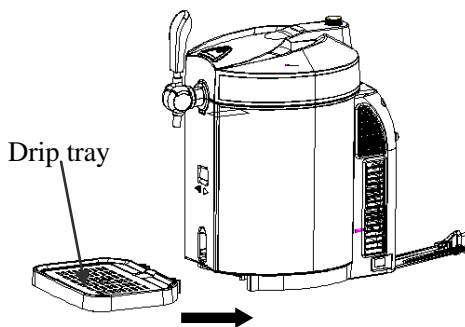


Figure 7

2. Install the tap handle connect the tap, make sure both end fit together perfectly. (Show as Figure 6)
  3. Set the water drip tray into the notch provided. (Show as figure 7)
  4. Plug the beer cooler.
- Note: Do not connect or disconnect the electric plug when your



hands are wet. Before use it, make sure the voltage is conformity with plug mark, and check whether the power cord is well connected or not; if not, please don't use it, and call service center;

5. Put 800ml water into the cooling cavity or pour the water to the max mark (Show as figure 8) (It can work without water, but it can't display the best performance)

Note: Make sure the drain switch is at "Off" position, and no extra objects in the cooling cavity.

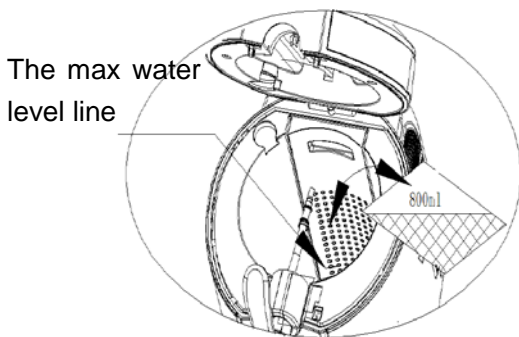


Figure 9

Make sure the drain switch is at "OFF" position.

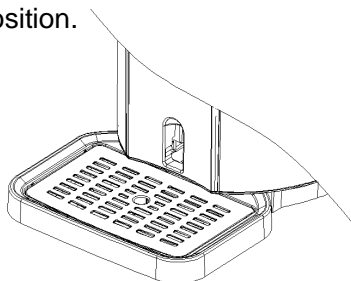


Figure 10

## B. OPERATION

### Universal 5L beer keg

1. Before piercing the plug on the top of the keg, you must always follow the instructions marked on the keg to eliminate the excess gas and ensure that the keg has rested long enough to avoid foam coming out through the tap faucet.

2. Uprightly direct the piercing pin against the sealant on the upper center of the keg (maybe you need to tear off the marking ring or change a proper sealant), press the piercing pin/keg lifter to poke the sealant and then push the piercing pin all immerse in the keg quickly.

To assemble the tap mechanism until you hear a “Ka” sound that will indicate the tap mechanism fixes on the beer keg. (Show as figure 10)

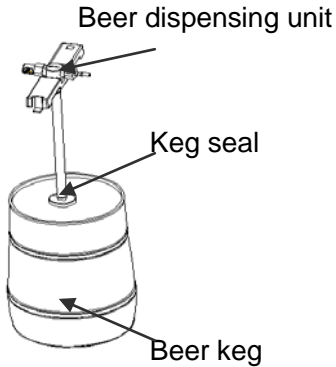


Figure 10

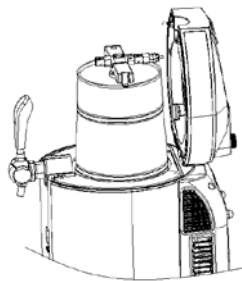


Figure 11

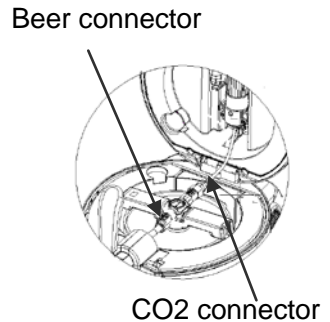


Figure 12

3. Open the beer cooler with 60-80N strength and place the well-assembled keg into the cooling cavity; Connect the CO2 connector tube and beer outlet tube with the keg lifter tube connector.

NOTES: make sure all connection of tap mechanism is well connected, and without damage. And make sure tap valve is on close status, and the CO2 pressure regulator knob is at “Off” status.

Close

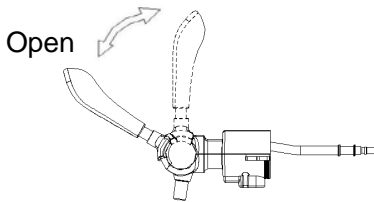


Figure 13

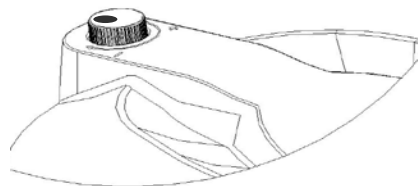


Figure 14

4. Loosen the CO2 bottle sheath (Show as figure 15), insert a 16gram CO2 cartridge in the sheath (Figure 16), and screw the sheath tightly until you will hear a “Click”(Figure 17), which indicates that the cartridge seal has been pierced and the CO2 gas can flow into the keg freely. Make us the bottle sheath is fixed tightly to avoid the CO2 leakage. Then put CO2 bottle sheath into the top cover.

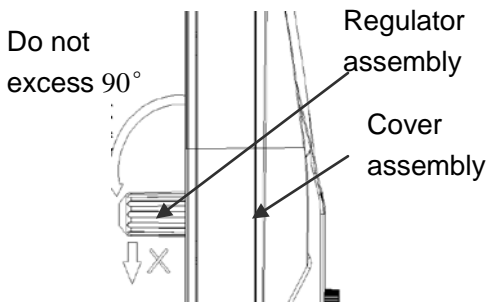


Figure 15

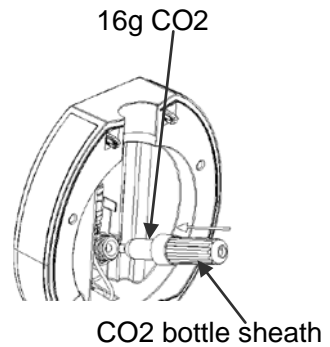


Figure 16

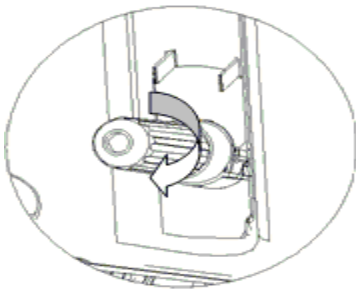


Figure 17

**Notice:**  
 \*Turn off the CO2 knob when cooling the beer  
 \*Turn off the CO2 knob when the beer flow is paused  
 \*Turn off the CO2 knob when changing the CO2 cartridge  
 \*When the beer cannot be tapped out (there is still beer in keg), or beer foams are not enough, turn the knob to "+" position for 5 seconds, then turn off it again.

Figure 18

5. Close the top cover of the beer cooler; When pouring out the beer, the turn the knob on the top cover to "+" position to release the CO2, and turn it to "-" position when pause or stop pouring beer to close the CO2. Please refer to the notice label on the top cover.

6. Turn on the power switch to "I" position to power on the beer cooler. (While "0" position is to power off it).

**NOTES:** Please make sure your hands are dry when you operate the beer cooler, to avoid electric shock.

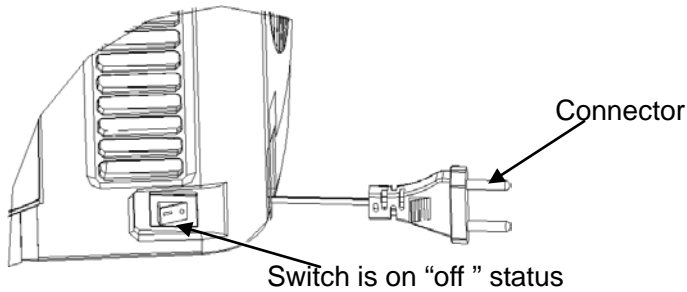


Figure 19

7. It will take 19-21 hours to cool the beer to 2-4°C at 22-24°C ambient temperature. And it can keep the temperature as set and displayed on the LED. We do, however, suggest that you initially cool your beer keg for at least 12 hours in your refrigerator before placing it into the beer cooler, especially when the ambient temperature is higher than 25°C.

8. You can set the temperature to fit your taste, by pressing the buttons on the front plate. The temperature can be set from 36°F to 54°F (2°C to 12°C), using the temperature adjusting button (+ and -) located beside the temperature display.

The PCB has the memory function, when you power on the cooler, it remembers the set temperature of last time.

The LED will default display the real temperature of beer. You can see the set temperature by pressing "+" button 1 second, it will display the set temperature, and 3 seconds later, it will recover and display the real temperature.

## Preset Temperature

The beer cooler has 6 preset temperatures.

Press and hold "-" button, it enters the 6 preset temperatures, then you can press "-" button to choose a certain preset temperature, 40°F (4°C), 46°F (8°C), 48°F (9°C), 50°F (10°C), 52°F (11°C) and 54°F (12°C). Press and hold "+" button, the unit can achieve conversion between

Fahrenheit and Celsius.

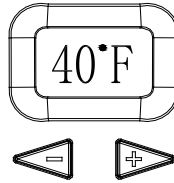


Figure 20

9. Adjust the CO<sub>2</sub> pressure regulator knob to “+” position, to pour the beer out by pulling down the tap mechanism about 45°, and you can adjust the pressure regulator knob to control the beer flow rate and beer bubble; (Figure 13)

Note: Clean the glass before pouring beer out; if the beer or beer cup/glass is in high temperature or the beer is not cool enough, there are many bubbles when pouring beer out;

10. When tapping the beer, lean your beer glass against the pouring spout and slowly straighten it up with the beer rising, then open the tap mechanism completely to avoid much bubble; It is advisable to pour half-glass, make a short pause before continuing the rest.

**NOTES:** Never immerse the pouring spout into the beer glass to avoid much bubble; Remember to lock the tap after finishing pouring.

11. It is normal to have more bubbles when pouring the first 3 cup of beer.

12. There will be a sharp and high-speed jet when pouring the last cup of beer from keg.

Please adjust the CO<sub>2</sub> pressure regulation knob to “-” position to close the CO<sub>2</sub> supplying and save the CO<sub>2</sub>.

## C. Heineken Keg

Heineken kegs are pre-charged with CO2, and do not require the use of regulator, no need to install the CO2 cartridge. And the knob on the top cover does not work.

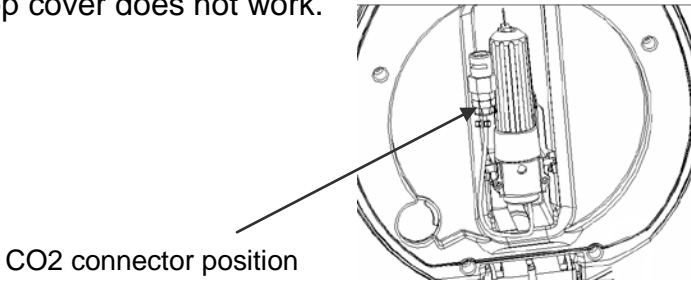


Figure 21

1. The Heineken connector that comes with your beer cooler can work with all Heineken 5 liter kegs. However you must use a flat head screwdriver to remove the green base from the keg in order to install the new connector, provided with the beer cooler.

2. When install the new connector to the Heineken keg, you must firstly install the clear beer tube one end to the connector, one end to the tap mechanism, then install the connector to the Heineken keg.

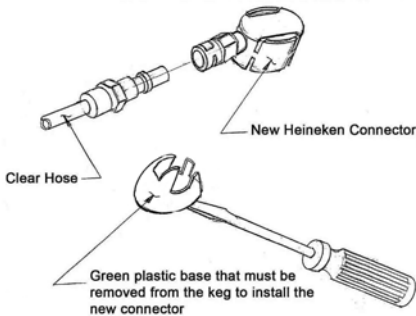


Figure 22

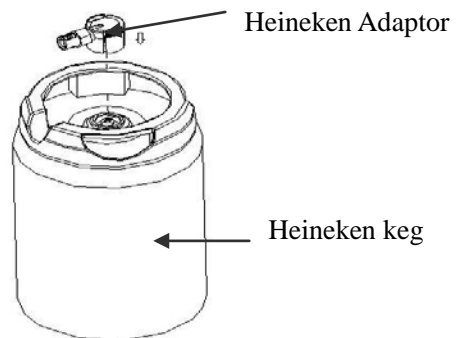


Figure 23

Note: Please take out the Heineken adaptor with collect ways, Press it according the arrow indication, or will damage the fastener

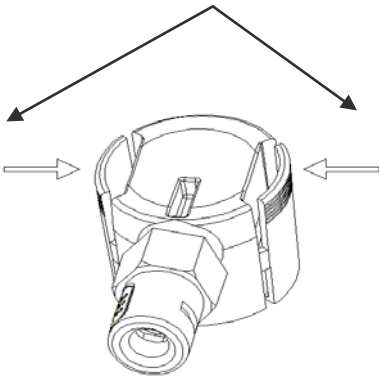


Figure 24

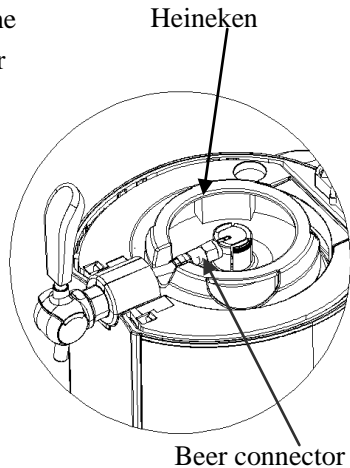


Figure 25

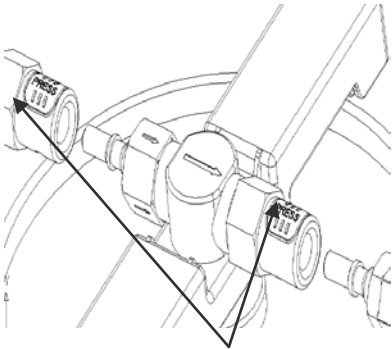
3. Close the top cover; operate it as above step 6-12, as the universal 5 liter keg, but step 9 is exception.

#### **D. TO CHAGE A NEW BEER KEG** (5 liter universal keg)

When the beer in the keg runs out, before changing a new beer keg.

1. Adjust the CO2 pressure regulation knob to “-“ switch to shut off the CO2 supplying and save the CO2.
2. Open the top cover of the beer cooler, pull down the tap handle to release the rest gas in the keg (maybe with some beer bubble).
3. Then put the piercing pin into the new keg and put into the beer cooler. Connect the gas-tube and beer tube from the keg lifter, by pressing the white parts of keg lifter.
4. Disconnect the gas-tube and beer tube from the keg lifter,
5. Take out the keg by the keg lifter, and pull out the piercing pin from the keg.
6. It is recommended to clean the tap mechanism when changing

the beer keg each time. Please refer to the below contents about cleaning.



When you take out the beer connector and CO2 connector, please press the white button down

Figure 26

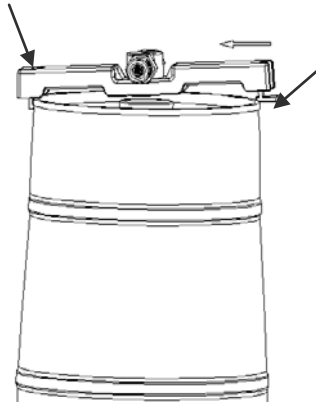


Figure 27

### **E. TO CHAGE A NEW CO2 CARTRIDGE (No need for Heineken keg)**

Please change the CO2 cartridge if can't pour beer out when the CO2 pressure knob is at "on" position and has beer in keg

1. When turn the CO2 pressure knob to "-" position, to close the CO2 supplying.
2. Open the top cover, loose the cartridge sheath, and take out the empty CO2 cartridge.

Insert a new 16g CO2 cartridge in the sheath, and screw the sheath tightly until you will hear a "Click", which indicates that the cartridge seal has been pierced and the CO2 gas can flow into the keg freely. Make us the bottle sheath is fixed tightly to avoid the CO2 leakage. Then put CO2 bottle sheath into the top cover.

3. Close the top cover of beer cooler;
4. Turn the CO2 pressure knob to "+" position to turn on the CO2 supply, and it is ready to pour beer out.



**Reminder:** each 16g CO2 cartridge can pressure more than 5L beer out;

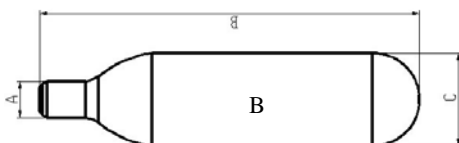
**Warning:**

1. Please use the qualified CO2 cartridge.

The below CO2 cartridge information for your reference. Never use Nitrogen gas cartridge in the beer cooler to avoid the explosion, because of its much higher pressure;

2. New CO2 cartridge need good reserve, any play is forbidden, or will cause hazards.

**16g CO2 Cartridge**



NW g	Volume ml	GW g	Cartridge Weight g	A mm	B mm	C mm	D mm	Pressure Kgf/cm2	Blast pressure bar
15.5   16.5	20	57.0   58.6	42.0   42.6	Ø8.6   Ø8.9	88.0   89.0	Ø21.7   Ø22.0	10   11	60	450

## F. REPLACE WATER INSIDE THE COOLING CAVITY

It is recommended replacing the water inside the cavity once each week. (No need to replace the water for each beer keg, one week one time recommended)

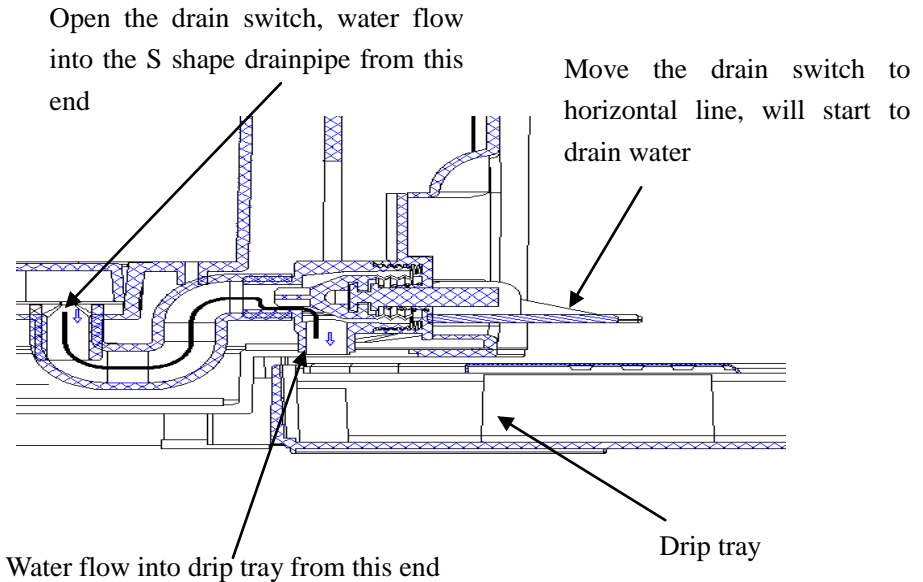


Figure 28(Sketch map of drain construction)

1. Open the drain switch to drain out the water from the cavity into the drip tray. Make sure the drip tray is fit into the notch to avoid water flow to the desk; the drip tray can load 450ml water;
2. After all water drain out, close the drain switch and put 800ml fresh water into the cavity.
3. Open the drain switch (drag the switch forward to 90 degree angle), and drain out the water inside the cavity to drip tray, and need twice to drain out the water..

**Warning:** 1) Clean water is necessary;

2) Make sure the drip tray is fit into the notch to avoid water flow to the desk;

3) The drip tray can load 400-500ml water;

# CLEANING BEER TAP MECHANISAM

Beer cooler need conformity with hygienically demand, it need clean before the first use or for long time use, clean the whole machine with dry cloth. Otherwise two cleaning way is recommended as following:

1. Load the warm water into the cleaning kit.
2. And connect the end of piercing pin, press the water into the pin to clean the pin tube, and push the water out from the beer tube at the other end. And repeat this cleaning work till the beer tube clean (need 3 bottles warm water at least), please clean the beer tap mechanism as figure 30. Note: Please disassemble the tap when make the cleaning. (Show as figure 29)

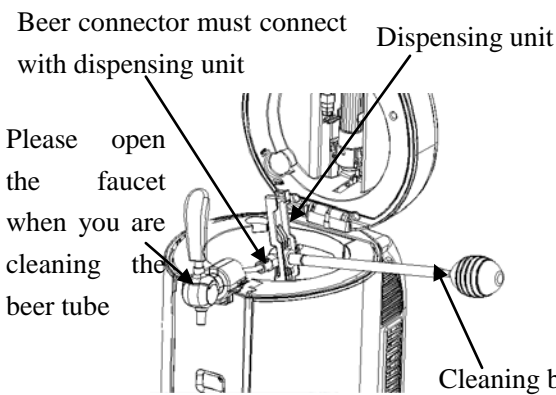


Figure 29

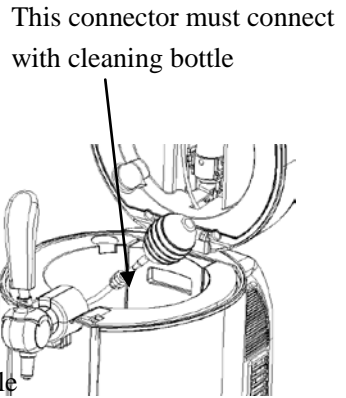


Figure 30





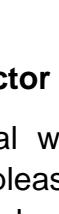
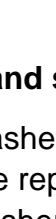

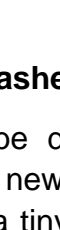
## Warning:

Never put the tap mechanism parts in the washing machine or dishwasher;

Never use the chemical cleaning detergent to clean the parts, warm or purified water is recommended.

# TO CHANGE SPARE PARTS

## ACCESSORIES INCLUDED WITH YOUR *BEER COOLER*

Items	Name	Qty.	Installment	Picture	Spare parts
1	Connector seal	6	Regulator valve		5pcs
2	CO2 connector	2	Regulator valve		1pcs
3	Beer tube	2	Beer-out connector		1pcs
4	Tube seal circle	4	Beer-in pipe		3pcs
5	Keg seal	2	Standard tub		2pcs
6	Heineken adaptor	3	Heineken tub		1set
7	CO2 cartridge	3	Regulator valve assembly		3pcs
8	Cleaning bottle	1			1pcs

### A. Replace CO2 connector and seal washer

CO2 connector and seal washer maybe damaged when wrong usage or other reasons, please replace a new one.

1. Firstly, pick out the seal washer with a tiny metal stick (Show as figure 31), and take out CO2 connector (if only replace the seal washer, this step can be cancelled). Be careful not damage other parts of regulator.

2. Install a new CO2 connector in the regulator (leave the sharp end outside toward), and install the seal washer (Show as figure 32). Don't remove other parts of regulator in the replacing process.

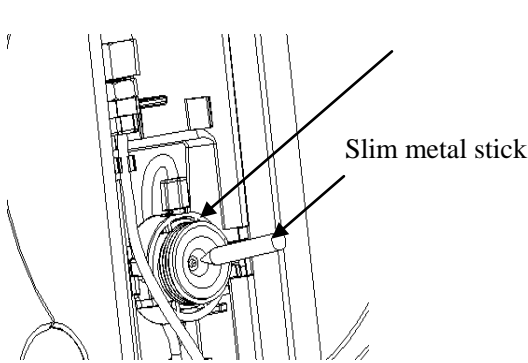


Figure 31

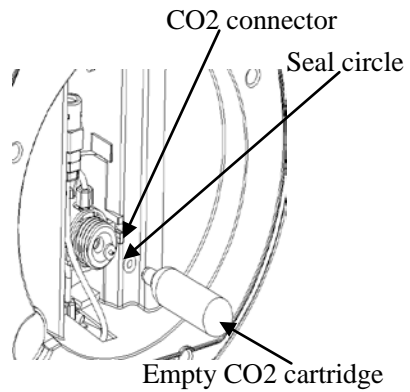


Figure 32

**Warning:** Remember press the seal circle with empty cartridge instead of new cartridge, or will cause hazard.

## B. TO CHANGE BEER TUBE (show as figure 33)

Please replace the beer tube if beer tube is damaged and cause beer leakage.

1. Pull down the locking of beer tube, and then draw out the tube.
2. Screw out the joint nut of beer tube, and draw the tube out.
3. Replace a new beer tube, and install the beer tube according with reverse procedure.

**NOTES:** Don't move other screws when processing tube replacement, otherwise, it may cause the beer leakage or gas leakage.

1) Turn the faucet to the state of releasing, and then open the cover to take out silicone tube.

2) Replace a new beer silicone tube, and install it according with reverse procedure.

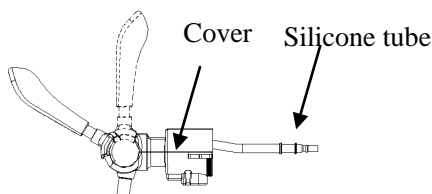


Figure 33

### C. Replace the seal circle of beer tube (Show as figure 34)

Replace the new seal circle of beer tube if the connector has leakage

1. Turn out the beer tube as indication of bellowing figure
2. Take out the seal circle of beer tube
3. Replace a new seal circle on same position
4. Turn the seal circle tightly to avoid any leakage

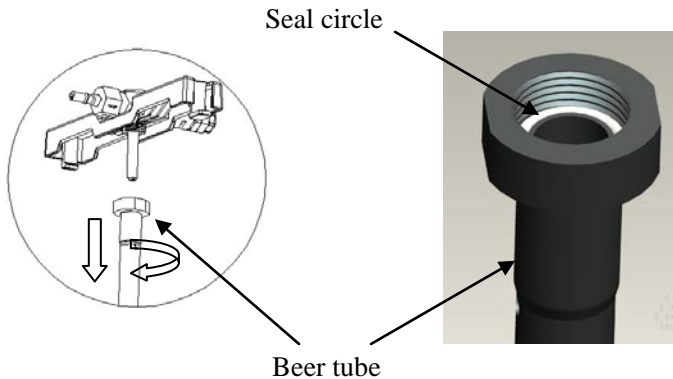


Figure 34

## MAINTENANCE

If the beer cooler does not work properly, please call the service center;

To save time and money, before you call for service, check the Troubleshooting Guide. It lists cause of minor operation problems that you can correct yourself.

Trouble	Cause	Troubleshooting
The tap does not work / can't pour beer out	<ol style="list-style-type: none"> <li>1. The pouring tube is in poor connection or CO2 supplying is cut off</li> <li>2. No keg or no beer in the keg;</li> <li>3. No gas in the CO2 cartridge</li> <li>4. The CO2 pressure regulator knob is close</li> </ol>	<ol style="list-style-type: none"> <li>1. Well connect the pouring tube and CO2 supplying</li> <li>2. Change a new keg</li> <li>3. Change a new CO2 cartridge</li> <li>4. Turn the CO2 pressure regulator knob on "+" position</li> </ol>
Too much bubble pouring out	<ol style="list-style-type: none"> <li>1. Use a wrong way to pour beer out</li> <li>2. The beer temp is high (better at 3-5C)</li> <li>3. The keg is shaken before usage</li> <li>4. Almost no beer in the keg</li> <li>5. Too much pressure in the keg</li> </ol>	<ol style="list-style-type: none"> <li>1. Use the right way to pour beer out</li> <li>2. Cool the beer down to 3-5C</li> <li>3. Put the beer keg aside a while till no bubble inside</li> <li>4. Change a new keg</li> <li>5. Adjust the pressure knob to "-" direction to decrease the pressure or close the knob</li> </ol>
Beer flows out too slowly	<ol style="list-style-type: none"> <li>1. Inside CO2 pressure isn't high enough</li> <li>2. The connection tube or pouring tube has leakage</li> </ol>	<ol style="list-style-type: none"> <li>1. Adjust the pressure knob to release much CO2 pressure or replace a new one.</li> <li>2. Check whether the tube is leakage or not, if so replace the tube</li> </ol>



## ENVIRONMENT

### CAUTION :

Do not dispose of this product as it has with other household products. There is a separation of this waste product into communities, you will need to inform your local authorities about the places where you can return this product. In fact, electrical and electronic products contain hazardous substances that have harmful effects on the environment or human health and should be recycled. The symbol here indicates that electrical and electronic equipment should be chosen carefully, a wheeled waste container is marked with a cross.

Manufactured and imported : Adeva SAS 8 rue Marc Seguin 77290 Mitry-Mory FRANCE

[www.hkoenig.com](http://www.hkoenig.com) - [contact@hkoenig.com](mailto:contact@hkoenig.com) - Tel 01 64 67 00 01

# **FRANCAIS**

*Lisez le mode d'emploi avant d'installer l'appareil et conservez-le.*

## **INTRODUCTION**

Ceci est un distributeur refroidisseur de bière équipé d'une cartouche de CO2 sous pression prévu pour un usage domestique. Il permet de refroidir votre bière à une température comprise entre 0 et 4°C sous 19 à 21 heures.

Il est conseillé de laisser le fût pendant 12h au réfrigérateur avant de le placer dans l'appareil, ceci permettra de garder les 5L de bière au frais pendant encore plus longtemps.

## **IMPORTANT : INSTRUCTIONS DE SÉCURITÉ**

Les instructions de sécurité de ce manuel sont essentielles à l'utilisation de l'appareil en toute sécurité, lisez-les, avant d'utiliser l'appareil et conservez le manuel pour vous y référer en cas de besoin.

### **Instructions de sécurité**

- Avant l'utilisation, vérifiez que le câble d'alimentation est correctement branché.
- Avant de brancher l'appareil vérifiez qu'il soit compatible avec votre installation électrique.
- Ne jamais brancher ou débrancher avec les mains mouillées.
- Placez l'appareil sur une surface sèche et plane.
- Assurez-vous de laisser au moins 10 cm autour de l'appareil pour laissez circuler l'air autour.
- Ne pas laisser au soleil.



- Ne pas couvrir l'appareil.
- Installer l'appareil à l'abri des éléments.
- Débranchez avant de nettoyer l'appareil. Nettoyer l'appareil branché, pourrait provoquer des dommages mortels par électrocution.
- Ne jamais immerger l'appareil ou le câble d'alimentation dans l'eau ou tout autre liquide.
- Ne pas utiliser de tissus ou produits abrasifs pour nettoyer l'appareil.
- Ne pas sortir le fût de l'appareil tant qu'il n'est pas vide.
- Ne pas sortir la cartouche de CO2 tant qu'elle n'est pas vide.
- Ne pas utiliser l'appareil sous des températures supérieures à 49°C, car la cartouche de CO2 pourrait exploser.
- Ne pas laisser les enfants utiliser l'appareil.
- Cet appareil n'est pas destiné à être utilisé par des personnes présentant des capacités réduites sur le plan physique, mental ou sensoriel ou bien manquant d'expérience ou de connaissance, (y compris les enfants), sauf s'il leur a été demandé de surveiller ou si elles ont eu des instructions concernant l'utilisation de l'appareil par une personne responsable de leur sécurité. Les enfants doivent être surveillés pour s'assurer qu'ils ne jouent pas avec l'appareil.
- Si le cordon d'alimentation est endommagé, il doit être remplacé auprès d'un Service après-vente afin d'éviter tout danger.

## **Sélection du fût**

- Seuls les fûts universels de 5L et les fûts Heineken sont compatibles.

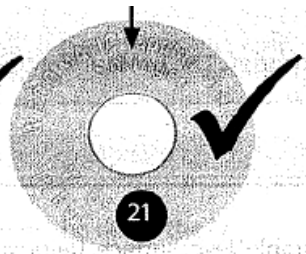
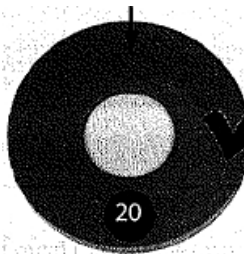
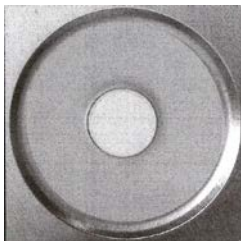
- Respectez les instructions de sécurité fournies avec le fût.
- Vérifiez que le fût n'est pas endommagé.
- Évitez d'abîmer la partie supérieure du fût car cela risque d'empêcher de brancher le tuyau facilement.
- Laisser le fût pendant 12h au réfrigérateur avant de le placer dans l'appareil.
- Ne pas secouer le fût.
- Ne pas laisser le fût au soleil.



## Mastics

Les fûts de 5L utilisant les mastics suivants conviennent à l'appareil.

\*Les mastics No. 20 et 21 peuvent être percés facilement.



\*Le mastic No. 22 doit être retiré avant d'installer le fût dans l'appareil (Image 1)



\*La différence entre les mastics 23 et 24 est dans le fermoir. Tirez

délicatement sur le fermoir, tourner et tirez pour l'enlever, remplacez le fermoir avec le mastic fourni avec le fût et percer le avec l'appareil. (Image 3).



Image 1

(Important: Avant de remplacer le mastic, suivez les indications fournies avec le fût pour libérer l'excès de gaz et laisser reposer le fût suffisamment avant de le connecter à l'appareil. Cette étape n'est pas nécessaire avec les fûts Heineken car ils ont une cartouche de CO2 intégrée.

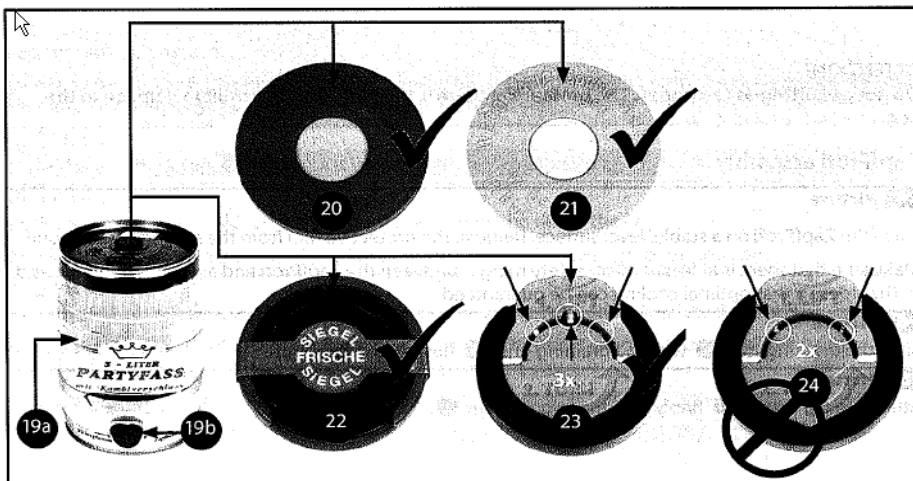


Image 2



Image 3

## SPECIFICITÉS

Info	Description	Spécificités
1	Voltage	AC 220-240V/50Hz
2	Capacité	Fûts de 5 litres
3	Puissance	65W
4	Capacité de refroidissement	De 2 à 12 °C (température ambiante entre 22 et 24 °C)
5	Bruit	≤38dB(A); (bruit ambiant ≤25dB(A))
6	Dimensions	W272*D480*H470mm
7	Poids Net	6.4±0.3Kg
8	CO2	√
9	Aspect acier inoxydable	√
10	Radiateur aluminium	√
11	Système réfrigérant	√
12	Refroidissement à eau	√
13	Écran LED	√
14	Drainage manuel	√
15	Tiroir anti-goutte amovible	√

16	Température ajustable	√
17	Système de conservation	PU isolation / Poids 310±5g
18	Type de climatisation	N/SN

## COMPOSANTS

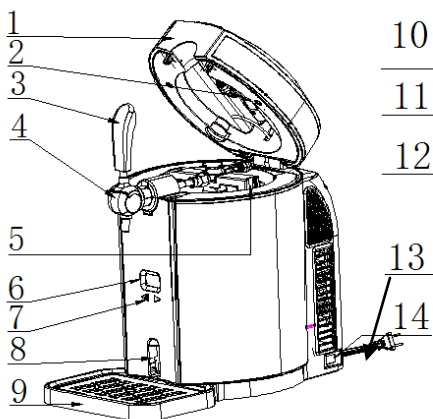


Image 4

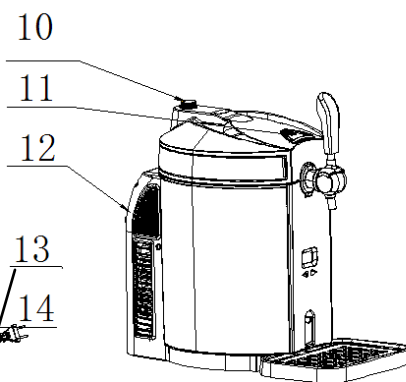


Image 5

- |                       |                                |
|-----------------------|--------------------------------|
| 1. Couvercle          | 8. Sortie                      |
| 2. Cartouche de CO2   | 9. Tiroir anti-goutte amovible |
| 3. Poignée du robinet | 10. Valve anti-pression        |
| 4. Robinet            | 11. Fermeture                  |
| 5. Filtre du fût      | 12. Couvercle arrière          |
| 6. Écran LED          | 13. Câble d'alimentation       |
| 7. Boutons digitaux   | 14. Bouton ON/OFF              |

# INSTALLATION & UTILISATION

## A. INSTALLATION

1. Déballer l'appareil et placez-le sur une surface stable en laissant 10 cm au tour de l'appareil pour permettre à l'air de circuler.

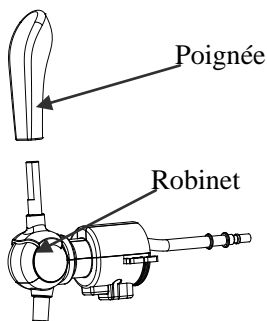


Image 6

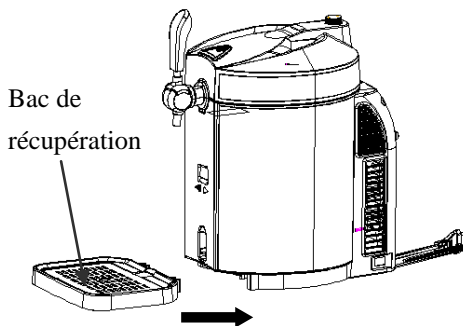


Image 7

2. Installer le robinet et assurez-vous que la connexion est parfaitement faite pour éviter les fuites. (Image 6)

3. Placez le tiroir anti-goutte amovible. (Image 7)

4. Branchez l'appareil.

Note: Ne jamais brancher ou débrancher l'appareil avec les mains humides. Avant de brancher l'appareil vérifiez qu'il soit compatible avec votre installation électrique et vérifiez que le câble est en parfait état.

5. Versez 800ml d'eau dans le système de refroidissement water (Image 8) (Vous pouvez utiliser l'appareil sans eau mais il sera moins efficace)

Note: Assurez-vous que le système d'évacuation est "Off". (Image 9)

Niveau  
d'eau max

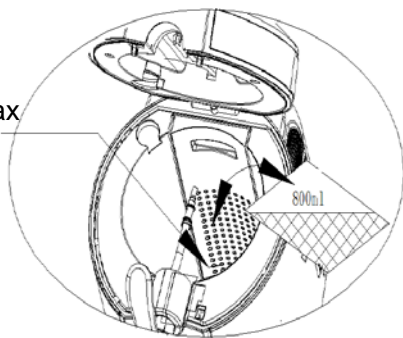


Image 8

Assurez-vous que le  
commutateur de vidange  
est en position «OFF».

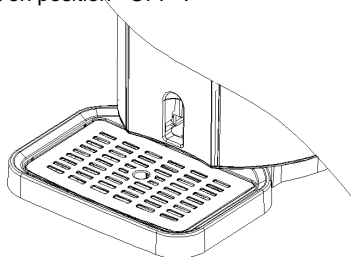


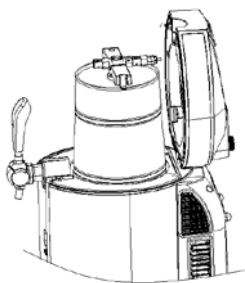
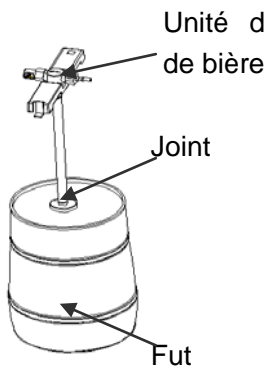
Image 9

## B. UTILISATION

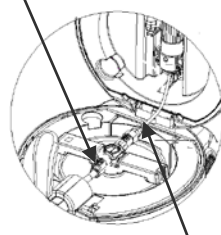
### Fûts universels de 5L

1. Avant de remplacer le mastic, suivez les indications fournies avec le fût pour libérer l'excès de gaz et laisser reposer le fût suffisamment avant de le connecter à l'appareil. Cette étape n'est pas nécessaire avec les fûts Heineken car ils ont une cartouche de CO2 intégrée.

2. Percez le mastic, et pressez l'aiguille rapidement dans le fût. Installez le robinet jusqu'à entendre un "Ka" qui confirme que le mécanisme est correctement en place. (Image 10)



Connecteur



CO2 connecteur

3. Installez le fût dans l'appareil; connectez les tubes du CO2 et de la bière au robinet.

NOTES: Assurez-vous que le tout est bien installé et que le système d'évacuation est "Off".

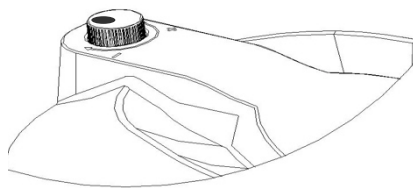
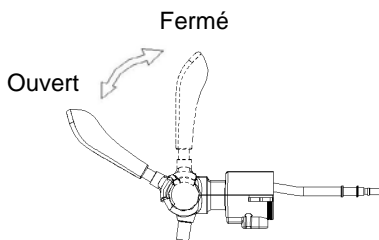


Image 14

4. Relâchez le fourreau du CO2 (Image 15), insérez une cartouche de 16gram de CO2 (Image 16), puis resserrez le fourreau jusqu'à entendre un "Click" qui vous confirme que la cartouche est percée et le gaz peut circuler (Image 17). Une fois la cartouche bien installée placez-la sur le couvercle de l'appareil.

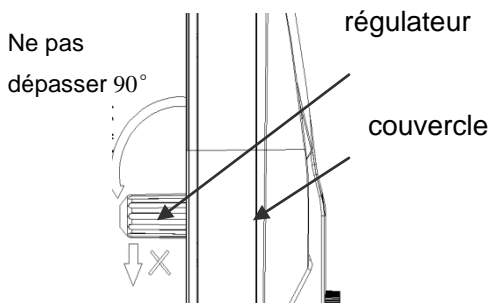


Image 15

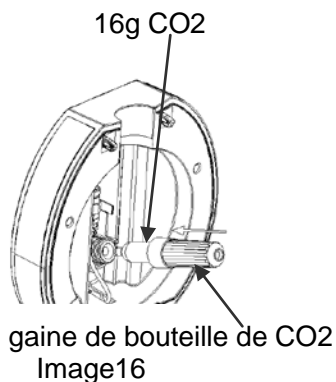


Image 16



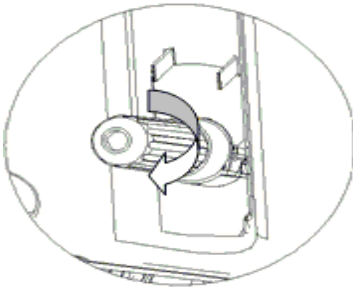


Image 17

Notice:  
\*Turn off the CO2 knob when cooling the beer  
\*Turn off the CO2 knob when the beer flow is paused  
\*Turn off the CO2 knob when changing the CO2 cartridge  
\*When the beer cannot be tapped out (there is still beer in keg), or beer foams are not enough, turn the knob to "+" position for 5 seconds, then turn off it again.

Image 18

5. Fermez le couvercle; Placez le robinet sur "+" pour relâcher le CO2, et sur "-" pour arrêter le CO2 et le flux de bière.

6. Placez le bouton ON/OFF sur "I" pour allumer et "O" pour éteindre.

**NOTES:** Toujours manipuler l'appareil avec des mains sèches pour ne pas risquer de vous électrocuter.

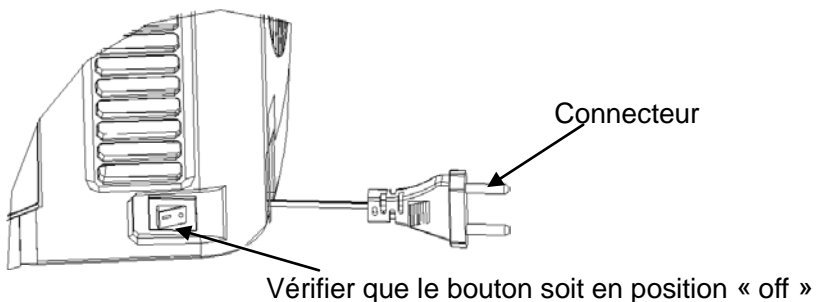


Image 19

7. Il vous faudra 19 à 21 heures pour descendre la température de

votre bière entre 2 et 4°C avec une température ambiante de 22 à 24°C. L'appareil conserve la température indiquée sur l'écran LED. Il est recommandé de réfrigérer le fût pendant 12 heures surtout si la température ambiante est supérieure à 25°C.

8. Vous pouvez adapter la température à vos préférences en utilisant les boutons (+ et -) : entre (2°C et 12°C).

L'appareil mémorisera la dernière température choisie pur la prochaine utilisation.

L'écran LED indique la température de la bière. Appuyez sur le bouton "+" pendant une seconde pour adapter la température, au bout de 3 secondes l'écran affichera de nouveau la température de la bière.

## Réglage de la Température

Vous disposez de 6 températures présélectionnées.

Appuyez et maintenez le bouton "-" puis pressez à nouveau le bouton "-" pour choisir une de ces températures présélectionnées : 4°C, 8°C, 9°C, 10°C, 11°C et 12°C.

Appuyez et maintenez le bouton "+" pour choisir entre les degrés Celsius et Fahrenheit

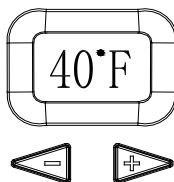


Image 20

9. Ajustez le CO2 avec le bouton "+" pour verser la bière, placez le robinet à 45 degrés pour adapter le flux de bière. (Image 13)

Note: Versez la bière dans un verre parfaitement propre; si la bière ou le verre sont chauds, des bulles se créent dans le verre.

10. Pour verser la bière, penchez le verre et redressez-le au fur et à mesure qu'il se remplit. Il est conseillé de remplir le verre à moitié, laisser reposer un instant avant de finir de remplir le verre.

**NOTES:** Ne pas tremper le robinet dans la bière pour éviter de créer des bulles. Pensez à bien bloquer le robinet une fois le verre rempli.

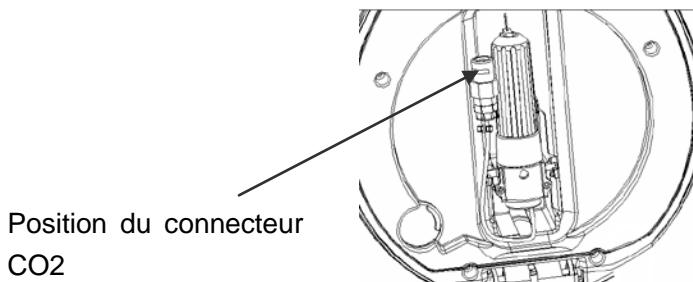
11. Il est normal que des bulles se créent dans les 3 premiers verres versés.

12. Le dernier jet de bière est assez abrupt.

Ajustez le CO2 en pressant le bouton “-” pour l'économiser.

### C. Fût Heineken

Ils sont déjà chargés de CO2, il est donc inutile de monter la cartouche de CO2



1. Le connecteur Heineken fourni avec le fût de 5L est compatible avec tous les fûts de 5L de Heineken. Vous pouvez enlever l'anneau ver avec un tourne vis plat pour installer celui fourni avec l'appareil.

2. Pour installer le connecteur sur le fût Heineken, il faut d'abord installer le tube transparent à la fois sur l'appareil et sur le connecteur.

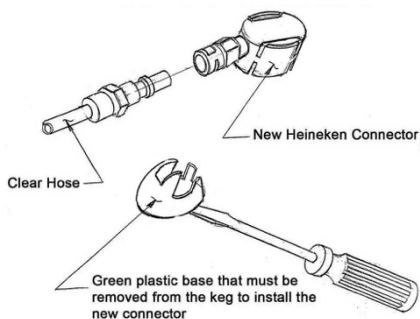


Image 22

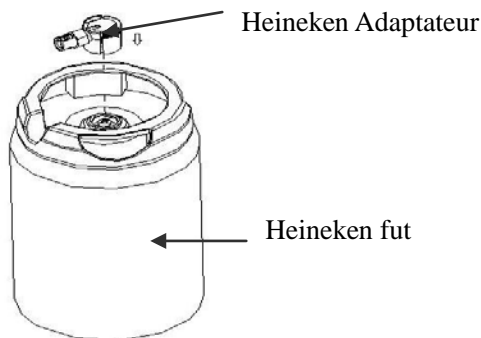


Image 23

Note: S'il vous plaît utiliser l'adaptateur Heineken. Appuyez dessus selon les indications ou vous risquez de l'endommager

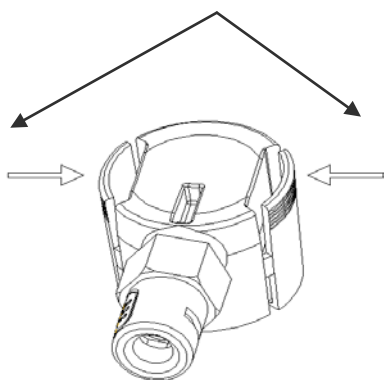


Image 24

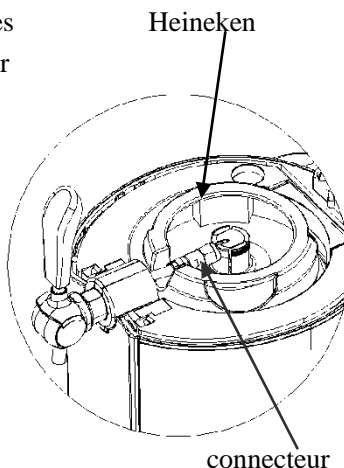


Image 25

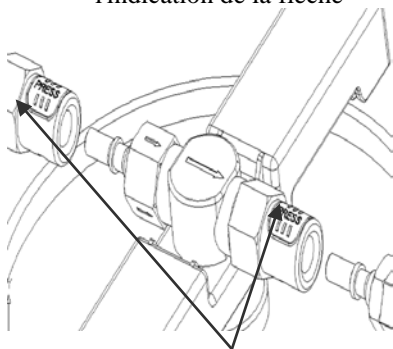
3. Fermez le couvercle, comme indiqué sur les étapes 6 à 12 en omettant l'étape 9 pour les fûts universels de 5 litres.

## D. POUR CHANGER LE FÛT (Universels de 5 litres)

Pour changer le fût.

1. Ajustez le CO2 en pressant le bouton “-“ pour couper le CO2 et l'économiser.
2. Ouvrez le couvercle, tirez le robinet pour relâcher le gaz.
3. Percez le nouveau fût avec l'aiguille et connectez-le à l'appareil. Connectez le tube de gaz à la poignée du fût.
4. Déconnectez le tube de gaz et de bière à l'appareil.
5. Retirez le fût en le prenant par la poignée et retirez l'aiguille du fût.
6. Nettoyez le robinet chaque fois que vous changez le fût. Consultez les instructions d'entretien.

Lorsque vous prenez la fermeture de l'unité de distribution de bière, vous pouvez déplacer cette unité vers l'indication de la flèche



Lorsque vous prenez le connecteur du connecteur de la bière et de CO2, s'il vous plaît appuyez sur le bouton blanc vers le bas

Image 26

Vous devez prendre la bonne fixation d'abord, puis pousser l'attache gauche comme indication de la flèche, vous pouvez retirer l'unité de distribution finalement.

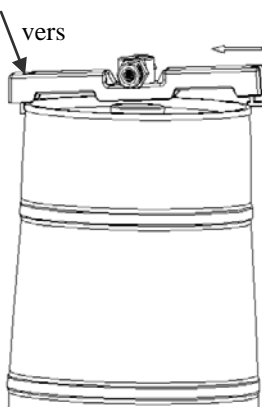


Image 27

## E. CHANGER LA CARTOUCHE DE CO<sub>2</sub> (Pas nécessaire pour les fûts Heineken)

Lorsque vous ne pouvez pas verser la bière alors que le robinet est “on”, cela veut dire que la cartouche de CO<sub>2</sub> doit être changée.

1. Mettre le CO<sub>2</sub> sur “-“ pour couper le CO<sub>2</sub>.
2. Ouvrir le couvercle, relâchez le fourreau de la cartouche et enlevez la cartouche de CO<sub>2</sub>.

Insérez une nouvelle cartouche de 16g de CO<sub>2</sub> dans le fourreau, et vissez jusqu’à entendre un “Click”, qui vous indique que la cartouche a été percée. Vérifiez que c’est bien monté correctement et qu’il n’y a pas de fuite. Remettez le fourreau avec la cartouche dans le couvercle.

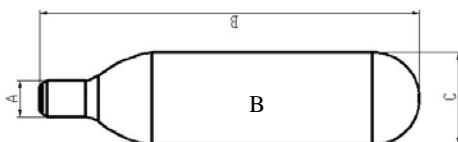
3. Refermez le couvercle.
4. Positionnez le CO<sub>2</sub> sur “+“ et servez votre bière.

**RAPPEL:** chaque cartouche de 16g de CO<sub>2</sub> peut verser plus de 5L de bière.

### Attention:

1. Utilisez les cartouches de CO<sub>2</sub> compatibles.  
Les données ci-dessous sont pour votre information. Ne jamais utiliser de Nitrogène car la pression serait trop importante et la cartouche pourrait exploser.
2. Ne jamais modifier les cartouches, ceci pourrait être très dangereux, et causer des blessures.

#### 16g CO<sub>2</sub> Cartouche



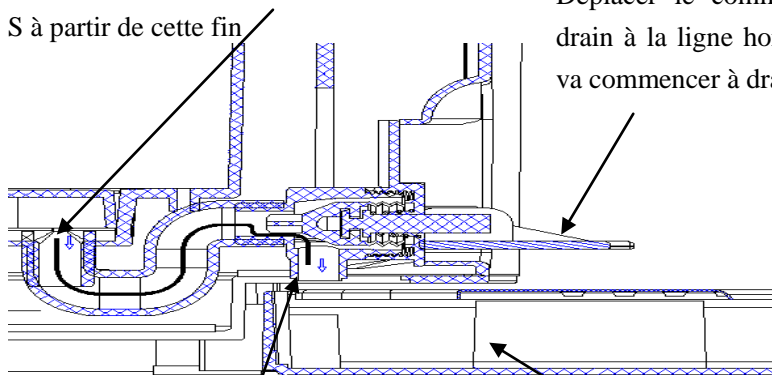
Poids Net g	Volume ml	Poids brut g	Poids de la cartouche g	A mm	B mm	C mm	D mm	Pression Kgf/cm2	Pression de l'explosion
15.5   16.5	20	57.0   58.6	42.0   42.6	Ø8. 6   Ø8. 9	88. 0   89. 0	Ø21.7   Ø22.0	10   11	60	450

## F. REMPLACER L'EAU du SYSTÈME de REFROIDISSEMENT

Il est conseillé de remplacer l'eau du système de refroidissement une fois par semaine. (Il n'est pas nécessaire de remplacer l'eau chaque fois que vous remplacez le fût).

Ouvrez l'interrupteur de vidange, le débit d'eau dans le drain en forme de S à partir de cette fin

Déplacer le commutateur de drain à la ligne horizontale, il va commencer à drainer l'eau



Le débit d'eau dans le bac d'égouttage de cette extrémité

Bac de récupération

Image 28 (système de drainage)

1. Ouvrez l'évacuation pour vider le résidu du tiroir anti-goutte amovible qui peut contenir jusqu'à 450ml water.
2. Une fois l'eau vidée, fermez l'évacuation et versez 800ml d'eau dans le système de refroidissement.

3. Ouvrez l'évacuation (tirez le robinet à 90 degrés), drainez l'eau du réservoir dans le tiroir anti goût.

**Warning:** 1) Utilisez de l'eau claire

2) Assurez-vous de placer le tiroir anti goutte pour éviter les fuites

3) Le tiroir peut contenir entre 400 et 500ml d'eau

## NETTOYAGE DU ROBINET

Pour des raisons d'hygiène il est conseillé de nettoyer l'appareil avant de l'utiliser surtout s'il n'a pas été utilisé depuis longtemps.

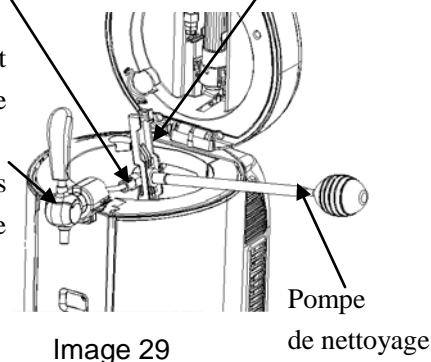
1. Versez l'eau chaude dans le kit de nettoyage.

2. Versez l'eau à travers l'aiguille pour nettoyer, l'aiguille et le tube (il est conseillé de faire passer 3 bouteilles d'eau pour que le nettoyage soit efficace).

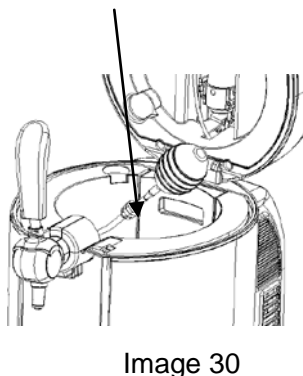
Note: Démontez le robinet pour le nettoyage. (Image 29)

Connecteur de bière doit se connecter avec unité de distribution

S'il vous plaît ouvrir le robinet lorsque vous nettoyez le tube de bière



Ce connecteur doit se connecter avec la pompe de nettoyage



## Avertissement:









Ne pas mettre les pièces au lave-vaisselle.



Ne pas utiliser de détergent, seule de l'eau chaude doit être utilisée.

## PIÈCES

### ACCESSOIRES INCLUS DANS L'APPAREIL

PIÈCES	NOM	Qté	FONCTION	PHOTO	PIÈCES DE RECHANGE
1	Joint du Connecteur	6	Régulateur		5 pièces
2	CO2 connecteur	2	Régulateur		1 pièces
3	Tube	2	Connecteur		1 pièces
4	Joint du tube	4	Tuyau		3 pièces
5	Joint du fût	2	Tuyau standard		2 pièces
6	Adaptateur Heineken	3	Heineken		1 set
7	Cartouche CO2	3	Valve régulatrice		3 pièces
8	Bouteille de nettoyage	1			1 pièces

#### A. Remplacez le connecteur CO2

Le connecteur CO2 peut être endommagé si on l'utilise de façon impropre.

1. Tout d'abord, nettoyez le joint (Image 31), démontez le connecteur CO2. Faites attention de ne pas endommager les autres composants.

2. Installer un nouveau connecteur CO2 et installer le nouveau joint (Image 32). Ne démontez pas les autres composants.

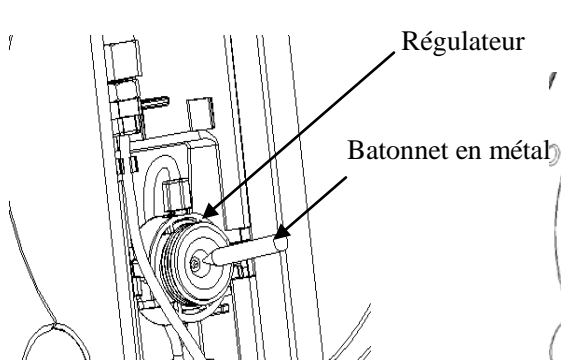


Image 31

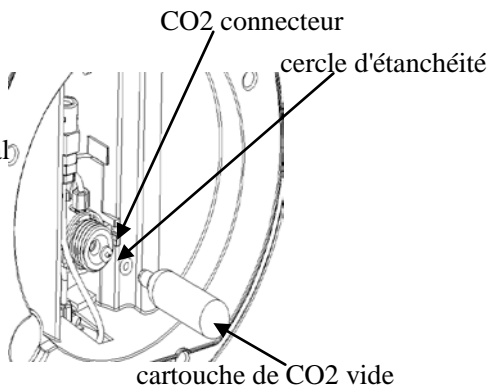


Image 32

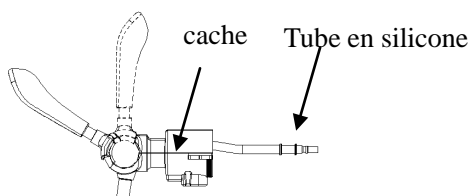
## B. CHANGER LE TUYAU (Image 33)

Remplacez le tuyau pour éviter les fuites.

1. Retirez les deux extrémités du tuyau.
2. Remplacez le tuyau et installez le.

**NOTES:** Ne pas toucher les autres composants afin d'éviter d'endommager l'appareil et provoquer des fuites.

- 1) Ouvrez le robinet avant de monter le tuyau.
- 2) Remplacez le nouveau tuyau.



## C. Remplace le joint du tube (Image 34)

Remplacez le joint pour éviter les fuites.

1. Démontez le tuyau comme sur l'image
2. Enlevez le joint
3. Placez le nouveau joint
4. Ajustez le tuyau pour éviter les fuites

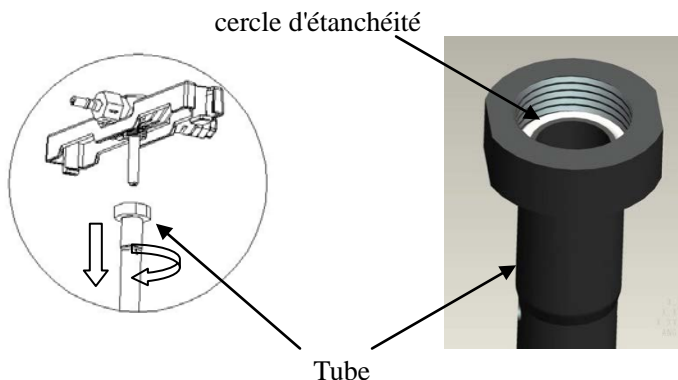


Image 34

## ENTRETIEN

En cas de dysfonctionnement, confiez l'appareil au service après-vente.

Pour éviter de perdre du temps, consultez le tableau des pannes ci-dessous.

### Pannes

Problème	Cause	Solution
Le robinet ne marche pas, la bière ne coule pas	<ol style="list-style-type: none"> <li>1. Mauvaise connexion du tuyau, CO2 est coupé</li> <li>2. Pas de fût, le fût est vide</li> <li>3. Pas de CO2</li> <li>4. La pression du CO2 est mal réglée</li> </ol>	<ol style="list-style-type: none"> <li>1. Connectez le tuyau et le CO2</li> <li>2. Installez un fût</li> <li>3. Changez la cartouche de CO2</li> <li>4. Placez le CO2 sur "+"</li> </ol>

Trop de bulles	<ol style="list-style-type: none"> <li>1. Mauvaise méthode</li> <li>2. La bière est chaude</li> <li>3. Le fût a été secoué</li> <li>4. Presque plus de bière dans le fût</li> <li>5. Trop de pression dans le fût</li> </ol>	<ol style="list-style-type: none"> <li>1. Versez la bière correctement</li> <li>2. Refroidissez la bière</li> <li>3. Reposez le fût</li> <li>4. Changez le fût</li> <li>5. Ajustez la pression avec le bouton “-“ pour baisser la pression</li> </ol>
La bière coule trop doucement	<ol style="list-style-type: none"> <li>1. Pression de CO2 insuffisante</li> <li>2. Il y a une fuite</li> </ol>	<ol style="list-style-type: none"> <li>1. Ajustez la pression du CO2</li> <li>2. Vérifiez le tuyau</li> </ol>

## ENVIRONNEMENT



### ATTENTION :

Vous ne devez pas vous débarrasser de cet appareil avec vos déchets ménagers. Un système de collecte sélective pour ce type de produit est mis en place par les communes, vous devez vous renseigner auprès de votre mairie afin d'en connaître les emplacements. En effet, les produits électriques et électroniques peuvent contenir des substances dangereuses qui ont des effets néfastes sur l'environnement ou la santé humaine et doivent être recyclés. Le symbole ci-contre indique que les équipements électriques et électroniques font l'objet d'une collecte sélective, il représente une poubelle sur roues barrée d'une croix.

Fabriqué pour et importé par : Adeva SAS 8 rue Marc Seguin 77290 Mitry-Mory FRANCE

[www.hkoenig.com](http://www.hkoenig.com) - [contact@hkoenig.com](mailto:contact@hkoenig.com) - Tél. 01 64 67 00 01

# **DEUTSCH**

*Bitte lesen Sie sich die Bedienungsanleitung vor der Installation und dem Betrieb sorgfältig durch, und halten Sie sie für den späteren Gebrauch bereit.*

## **EINLEITUNG**

Dies ist ein Bierkühler für den Haushalt, er ist mit einem CO<sub>2</sub>-Patronen- Drucksystem ausgestattet, um das Bier frisch zu halten. Es bringt das Bier auf die beste Temperatur für die Kühl Lagerung (0 bis 4°C) innerhalb von 19 bis 21 Stunden.

Der Bierkühler wird das 5L Fass für eine fast unbegrenzte Zeit kühl halten. Wir weisen jedoch darauf hin, dass Sie Ihr Bierfass zunächst für mindestens 12 Stunden im Kühlschrank kühlen sollten, bevor Sie es in den Bierkühler platzieren.

## **WICHTIGE SICHERHEITSHINWEISE**

Wir haben für den Bierkühler viele wichtige Sicherheitshinweise in der Bedienungsanleitung zusammengestellt. Bitte lesen und befolgen Sie alle Sicherheitsregeln und Bedienungshinweise, vor dem Gebrauch; und bewahren Sie die Bedienungsanleitung an einem sicheren Ort für das spätere Nachschlagen auf.

### **Sicherheitshinweise**

- Bevor Sie es verwenden, prüfen Sie, ob das Netzkabel gut angeschlossen ist oder nicht; wenn nicht, verwenden Sie es bitte nicht, und rufen Sie das Service-Center an;
- Wenn das Netzkabel beschädigt ist, muss es durch den Hersteller oder seinen Kundendienst oder eine ähnlich qualifizierte Person ersetzt werden, um eine Gefahr zu vermeiden.
- Überprüfen Sie vor dem Gebrauch, ob die Stromspannung von

der Stecker und der Steckdose übereinstimmen; wenn nicht, benutzen Sie es bitte nicht und rufen das Service Center an;

- Den Netzstecker nicht mit nassen Händen anschließen oder trennen.
- Stellen Sie den Bierkühler auf eine trockene und horizontale Fläche.
- Um eine ausreichende Belüftung für den Bierkühler zu gewährleisten, stellen Sie sicher, dass der Bierkühler auf beiden Seiten mindestens 5 Zoll / 10 cm Platz hat, um dem Gerät eine korrekte Belüftung zu ermöglichen.
- Setzen Sie den Bierkühler niemals direkter Sonneneinstrahlung aus.
- Decken Sie den Bierkühler nie ab, wenn es bei einem anderen Objekt arbeitet.
- Der Bierkühler muss in einem Bereich installiert werden, wo er vor Wind, Regen, Spritzwasser oder Tropfen geschützt wird.
- Bevor Sie mit Reinigungs- und Wartungsarbeiten beginnen stellen Sie sicher, dass die Stromleitung der Einheit getrennt ist. Geschieht dies nicht, kann es zu einem elektrischen Schlag oder zum Tod führen.
- Geben Sie den Bierkühler oder den Netzstecker nie in Wasser oder andere Flüssigkeiten.
- Verwenden Sie keine groben Tücher, groben Material, um den Bierkühler zu reinigen.
- Nehmen Sie das Bierfass nicht aus dem Kühler, wenn das Bier nicht komplett ausgetrunken wurde.
- Entnehmen Sie nicht die CO<sub>2</sub>-Patrone, bevor das Innere CO<sub>2</sub> nicht komplett verwendet wurde.
- Verwenden Sie die CO<sub>2</sub> Patrone nicht, wenn die Raumtemperatur über 49°C / 120F ist. Geschieht dies nicht, kann es zu einer Explosion oder zum Tod führen.

- Erlauben Sie Kindern niemals mit dem Bierkühler zu spielen, es zu bedienen oder herein zu kriechen.
- Dieses Gerät ist nicht für die Nutzung durch Personen mit eingeschränkter Kapazität auf der körperlichen, geistigen oder sensorischen oder mangelnder Erfahrung und Wissen (einschließlich Kinder), es sei denn, er hat sie wurde gebeten, zu überwachen oder, wenn sie Anweisungen auf dem Einsatz des Gerätes durch eine für ihre Sicherheit zuständige Person hatte. Kinder sollten beaufsichtigt werden, um sicherzustellen, dass sie nicht mit dem Gerät spielen.
- Wenn das Netzkabel beschädigt ist, muss es mit einem Kundendienst ersetzt werden, um Gefahren zu vermeiden.

## WIE MAN EINEN BIERKÜHLER WÄHLT

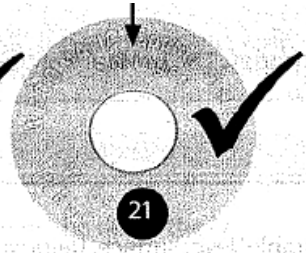
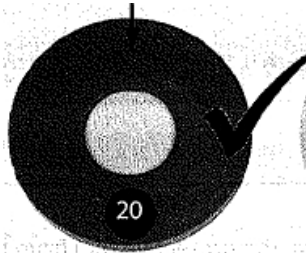
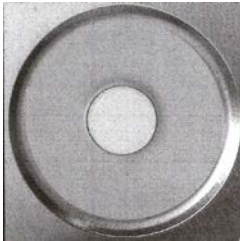
- Nur verschlossene 5L universal Bierfässer und Heineken Fässer verwenden
- Achten Sie gut auf die Sicherheit- und Lagerungsanweisungen über das Fass / auf dem Fass.
- Überprüfen Sie vor dem Kauf, das das Fass weder beschädigt noch das Bier abgelaufen ist.
- Schützen Sie die Oberfläche vor Schäden. Sonst kann es zu Schwierigkeiten mit dem Anbringen vom Absaugschlauch geben.
- Halten Sie das Fass für 12 Stunden an einem kalten, aber nicht zu kalten Ort (z.B. Kühlschrank) bis zum nächsten Einsatz.
- Schütteln Sie das Bierfass nie bevor Sie es verwenden.
- Stellen Sie das Bierfass nie ins direkte Sonnenlicht.



# BIERFASS ABDICHTUNG

Alle 5 Liter Bierfässer mit dem hierunter gezeigten verschiedenen Abdichtungen, können mit Bierkühler verwendet werden, Sie sollten sich jedoch die folgenden Informationen durchlesen

\* Die Dichtungen mit dem Code Nr. 20 und 21 können einfach mit dem Kühlbolzen durchstochen werden.



\*Bei der Dichtungen mit dem Code Nr. 22 muss der Markierungsring von der Dichtung abgenommen werden und das Bierfass von dem Kühlbolzen durchstochen werden.

(Siehe Abbildung 1)



\* Der Unterschied zwischen Code Nr. 23 und 24 ist die Menge der Sicherheitsverschlüsse. Ziehen Sie vorsichtig an dem Sicherheitsverschluss, drehen Sie ihn und ziehen Sie es vom Fass; ersetzen Sie es mit der Dichtung (wie der Code Nr. 2) sofern Sie in dem Bierkühler ist, setzen Sie es in das Bierfass und durchstechen Sie es mit dem Kühlbolzen. (Siehe Abbildung 3).





Abb. 1

Wichtig: Bevor Sie die Dichtung ersetzen oder es durchstechen müssen Sie immer die Anleitungen auf dem Bierfass befolgen, um ausströmendes Gas auszuschalten und stellen Sie sicher, das das Bierfass lange genug ruhig stand, um zu vermeiden das Schaum aus der durchstochenen Dichtung/ dem Hahn strömt.

Und es ist nicht erforderlich, das Gas freizusetzen und das Dichtungsgummi zu ersetzen, wenn man ein Heineken Bierfass verwendet, da Heineken Fässer seine eigenen CO<sub>2</sub>-Druck im Inneren aufweisen und keine Notwendigkeit von äußeren CO<sub>2</sub> Drucksystemen zur Verfügung gestellt werden müssen.

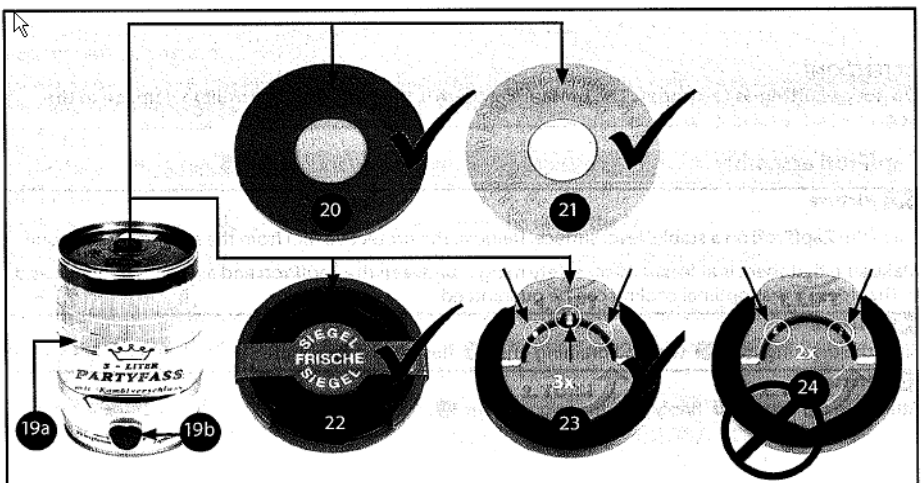


Abbildung 2



Abbildung 3

## TECHNISCHE DATEN

Artikel	Beschreibung	Spezifikation
1	Stromspannung	AC 220-240V/50Hz
2	Verfügbare Kapazität	5 Liter Bierfass
3	Bemessungsbetriebsleistung	65W
4	Kühlleistung	2~12°C einstellbar (Raumtemperatur 22~24°C)
5	Geräuschpegel	≤38dB(A); (Umgebungsrauschen ≤25dB(A))
6	Maße	W272*D480*H470mm
7	Nettogewicht	6.4±0.3Kg
8	CO2-Druck aus Einheit	√
9	Edelstahl-Optik	√
10	Aluminium-Heizkörper-System	√
11	Halbleiter-Kühltechnik	√
12	Wasserleitungskühlsystem	√
13	LED-Anzeigefunktion	√
14	Manuelle Entwässerung	√
15	Abnehmbarer	√

	Wasserauffangschale	
16	Temperatur verstellbar	√
17	Kühl- Konservierungssystem	PU-Isolierung / Gewicht 310±5g
18	Klimaart	N/SN

## TEILE & FUNKTIONEN

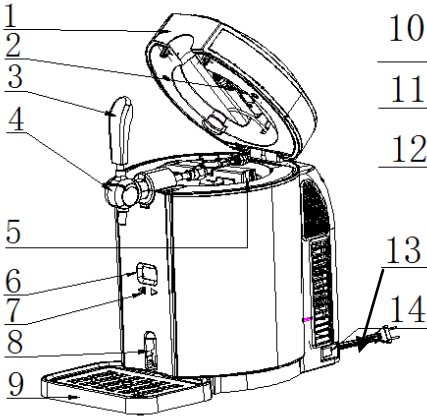


Abbildung 4

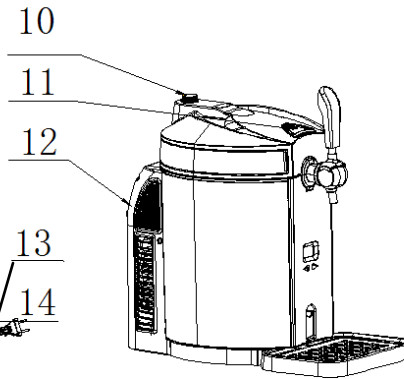


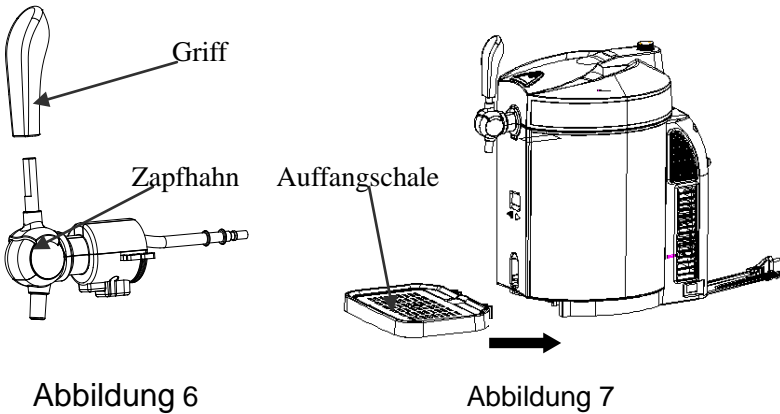
Abbildung 5

- |                         |   |
|-------------------------|---|
| 1. Deckel               | 8. Abflussschalter                      |
| 2. CO2 Patronenhülle    | 9. Auffangschale                        |
| 3. Zapfhahn Griff       | 10. CO2-Druckbegrenzungsventil / Regler |
| 4. Zapfhahn             | 11. Türschloss Taste                    |
| 5. Bierfassheber        | 12. Hintere Abdeckung                   |
| 6. LED Anzeige          | 13. Netzkabel und Stecker               |
| 7. Digitale Steuertaste | 14. Netzschalter                        |

# INSTALLATION & BETRIEB

## A. INSTALLATION

1. Nehmen Sie den Bierkühler aus der Verpackung. Stellen Sie den Bierkühler auf eine stabile und horizontale Fläche, und stellen Sie sicher, dass der Bierkühler auf jeder Seite mindestens 5 Zoll / 10 cm entfernt von anderen Geräten oder der Wand steht, um eine korrekte Belüftung zu ermöglichen, und dadurch eine bessere Leistung zu erzielen.



2. Installieren Sie den Griff, um ihn mit dem Zapfhahn zu verbinden, stellen Sie sicher, dass beide Enden perfekt zusammenpassen. (Siehe Abbildung 6)

3. Stellen Sie die Auffangschale in die Kerbe. (Siehe Abbildung 7)

4. Stecken Sie den Stecker des Bierkühlers in die Steckdose.  
Hinweis: Schließen Sie den Netzstecker nicht an oder ziehen daran, wenn Ihre Hände nass sind. Bevor Sie ihn verwenden, stellen Sie sicher, dass die Spannung übereinstimmt mit der Stecker Marke, und prüfen Sie, ob das Netzkabel gut angeschlossen ist oder nicht; wenn nicht, verwenden Sie es bitte nicht, und rufen Sie das Service-Center an;

5. Geben Sie 800 ml Wasser in den Kühlhohlraum oder gießen Sie das Wasser bis zu der Markierung Max (Siehe Abbildung 8) (Es kann ohne Wasser arbeiten, jedoch kann so nicht die beste Leistung erzielt werden)

Hinweis: Stellen Sie sicher, dass der Ablaufschalter auf der Position "Aus" steht, und ohne zusätzliche Objekte in dem Kühlhohlraum .

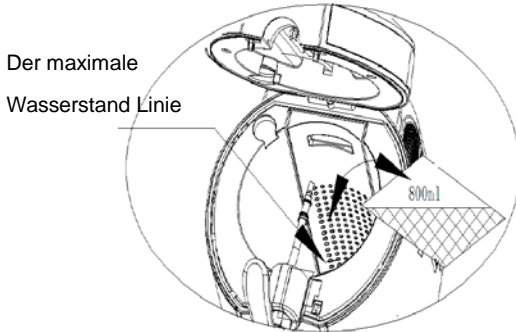


Abbildung 9

Stellen Sie sicher, dass der Ablaufschalter auf der Position "Aus" steht

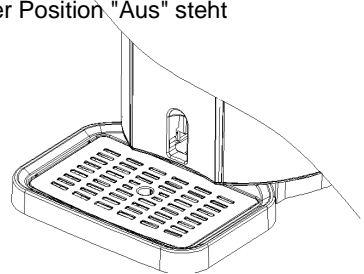


Abbildung 10

## B. BETRIEB

### Universal 5L Bierfass

1. Vor dem Anstechen auf der Oberseite des Fasses, sollten Sie immer den Anweisungen folgen, wie sie auf dem Fass markiert sind, um das überschüssige Gas zu beseitigen und sicherzustellen, dass das Fass lange genug geruht hat, um zu verhindern, dass Schaum durch den Zapfhahn kommt.

2. Den Bolzen aufrecht gegen die Dichtung an der oberen Mitte des Fasses drücken (vielleicht müssen Sie den Markierungsring abreißen oder ein geeignetes Dichtungsmittel wählen), drücken Sie den Durchsteckbolzen / Fass Heber um ihn in die Dichtung zu

stecken und dann den Bolzen schnell in das Fass eintauchen. Um den Hahn Mechanismus zu montieren, drücken Sie bis ein "Ka" Ton zu hören ist, dies zeigt das der Hahnmechanismus auf dem Bierfass fixiert ist. (Siehe Abbildung 10)

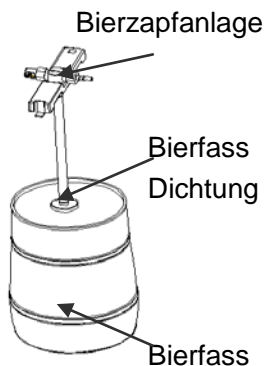


Abbildung 10

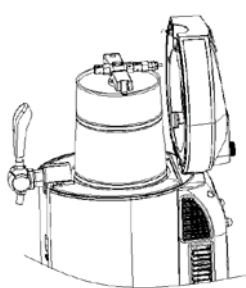


Abbildung 11

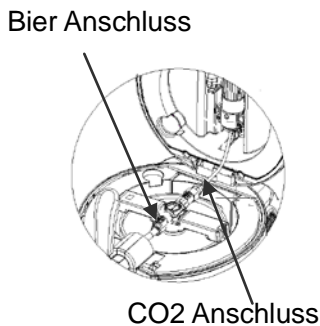


Abbildung 12

3. Öffnen Sie den Bierkühler mit 60-80N Stärke und stellen Sie das gut zusammengebaute Fass in den Kühlhohlraum; Schließen Sie das CO<sub>2</sub>-Verbindungsrohr und das Bier Auslassrohr mit dem Bierfass-Heber Rohrverbinder.

HINWEISE: Stellen Sie sicher, dass alle Verbindungsleitungsmechanismen gut verbunden und ohne Schäden sind. Und stellen Sie sicher, dass das Zapfventil auf einen engen Status eingestellt, und der CO<sub>2</sub>-Druckregelknopf in dem "Off" Status ist.

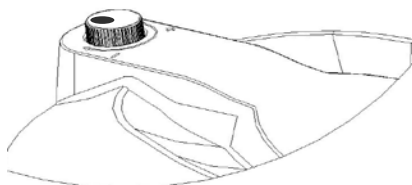
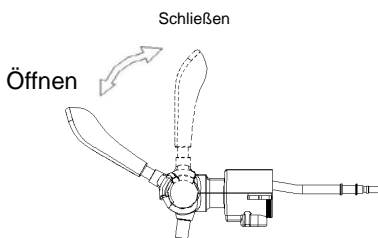


Abbildung 14

4. Lösen Sie die CO<sub>2</sub>-Mantelflasche (Siehe Abbildung 15), legen Sie eine 16 Gramm CO<sub>2</sub>-Patrone in der Hülle (Abbildung 16), und schrauben Sie den Mantel fest, bis Sie ein "Klick" (Abbildung 17) hören, dies zeigt, dass die Patronendichtung durchstoßen wurde und das CO<sub>2</sub>-Gas frei in das Bierfass fließen kann. Stellen Sie sicher, dass die Mantelflasche fest fixiert ist, um CO<sub>2</sub>-Leckage zu vermeiden. Dann legen Sie die CO<sub>2</sub> Mantelflasche in die obere Abdeckung.

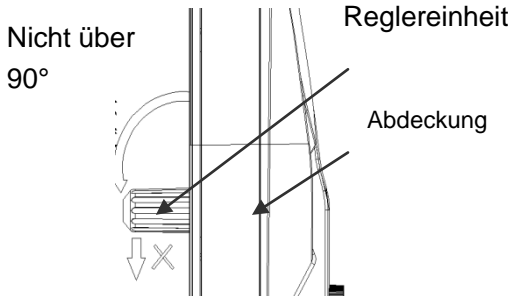


Abbildung 15

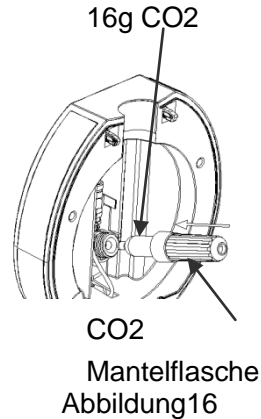


Abbildung 16

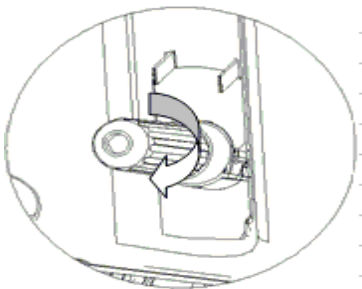


Abbildung 17

Beachten Sie:

- \*Schalten Sie den CO<sub>2</sub> Knopf aus, wenn Sie das Bier kühlen
- \* Schalten Sie den CO<sub>2</sub> Knopf aus, wenn der Bierfluss pausiert
- \* Schalten Sie den CO<sub>2</sub> Knopf aus, wenn Sie die CO<sub>2</sub> Patrone wechseln
- \* Wenn Sie kein Bier mehr zapfen können (obwohl noch Bier im Fass ist) oder sich nicht genügend Schaum bildet, drehen Sie den Knopf für 5 Sekunden auf die Position "+", dann stellen Sie es wieder aus

Abbildung 18

5. Schließen Sie die obere Abdeckung des Bierkühlers; Wenn Sie das Bier ausgießen, drehen Sie den Knopf an der oberen Abdeckung auf Position "+" um CO<sub>2</sub> freizusetzen, und schalten Sie ihn auf "-" Position, wenn Sie eine Pause machen oder mit dem Bier zapfen stoppen, um das CO<sub>2</sub> zu schließen. Bitte beachten Sie die Hinweisschild an der oberen Abdeckung.

6. Schalten Sie den Netzschalter auf die "I" Position um den Bierkühler anzustellen. (Die Position "0" ist zum Ausschalten).

**HINWEISE:** Bitte stellen Sie sicher, dass Ihre Hände trocken sind, wenn Sie mit dem Bierkühler arbeiten, um einen Stromschlag zu vermeiden.

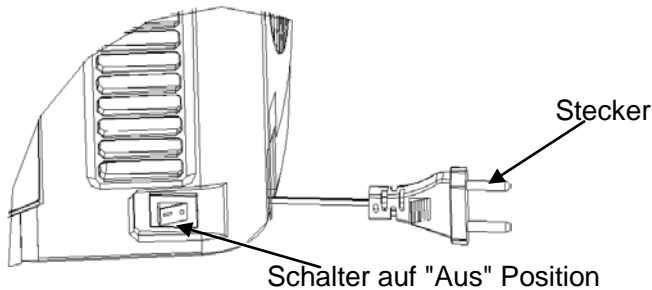


Abbildung 19

7. Es wird 19 bis 21 Stunden dauern, um das Bier auf 2-4°C bei 22-24°C Umgebungstemperatur abkühlen zu lassen. Und es kann die Temperatur die eingestellt wurde halten und wird auf der LED angezeigt. Wir deuten jedoch darauf hin, dass Sie Ihr Bierfass zunächst für mindestens 12 Stunden im Kühlschrank abkühlen lassen sollten, bevor Sie es in den Bierkühler platzieren, vor allem, wenn die Umgebungstemperatur höher als 25°C ist.

8. Sie können die Temperatur, die zu Ihrem Geschmack passt, einstellen, indem Sie die Tasten auf der Frontplatte drücken. Die Temperatur kann von 36°F bis 54°F (2°C bis 12°C) eingestellt werden, mit der Einstellung der Temperatur-Taste (+ und -), diese befindet sich neben der Temperaturanzeige .

Das PCB hat eine Erinnerungsfunktion, wenn Sie den Kühler einstellen, erinnert es sich an die Temperatur vom letzten Mal und stellt diese ein.

Die LED Anzeige wird die reale Temperatur vom Bier anzeigen. Sie können die eingestellte Temperatur sehen, indem Sie die "+" Taste 1 Sekunde gedrückt halten, die eingestellte Temperatur wird angezeigt werden, und 3 Sekunden später, zurückspringen und die reale Temperatur anzeigen.



## Voreingestellte Temperatur

Der Bierkühler hat 6 voreingestellte Temperaturen.

Drücken und halten Sie die Taste "-", es werden die sechs voreingestellten Temperaturen eingegeben, dann können Sie die Taste "-" drücken, um eine bestimmte voreingestellte Temperatur zu wählen, 40°F (4°C), 46°F (8°C), 48°F (9°C) 50°F (10°C), 52°F (11°C) und 54°F (12°C).

Drücken und halten Sie Taste "+", das Gerät kann so zwischen Fahrenheit und Celsius wechseln.

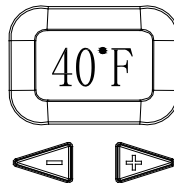


Abbildung 20

9. Stellen Sie den CO<sub>2</sub>-Druckregelknopf auf die Position "+", um das Bier auszugießen, indem der Hahn Mechanismus um 45 ° nach unten gedrückt wird, außerdem können Sie den Druckregler so einstellen das Sie die Bier -Flussrate und Bier Blase kontrollieren können; (Abbildung 13)

Hinweis: Reinigen Sie das Glas bevor Sie Bier eingießen; wenn das Bierglas oder der Bierbecher eine hohe Temperaturen hat oder das Bier nicht kühl genug ist, gibt es viel Schaum beim Ausgießen vom Bier;

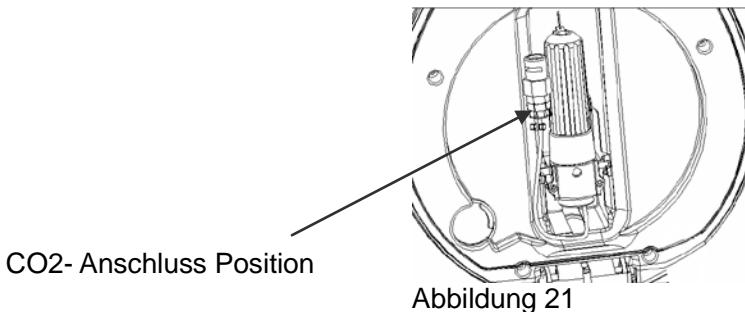
10. Wenn Sie das Bier zapfen, lehnen Sie Ihr Bierglas gegen den Ausgießer und richten Sie es langsam auf wenn das Bier steigt, dann den Hahn vollständig öffnen, um zu viel Schaum zu vermeiden; Es ist ratsam nach einem halben Glas eine kurze Pause zu machen, bevor Sie das restliche Glas vollgießen.

**HINWEISE:** Niemals den Ausgießer in das Bierglas tauchen, um viel Schaum zu vermeiden; Denken Sie daran, den Hahn zu sperren, nachdem Sie das zapfen beendet haben.

11. Es ist normal, mehr Schaum zu haben, wenn Sie die ersten 3 Gläser Bier zapfen.
  12. Es wird einen scharfen und High-Speed-Strahl geben, wenn das letzte Glas Bier vom Fass gezapft wird.
- Bitte stellen Sie die CO2-Druckregelknopf auf die "-" Position, um die CO2-Versorgung zu beenden und das CO2 zu speichern.

### **C. Heineken Bierfass**

Heineken Bierfässer sind mit CO2 vorgeladen, und erfordern keine Verwendung von Reglern, und es gibt keine Notwendigkeit, die CO2-Patrone zu installieren. Und der Knopf an der oberen Abdeckung funktioniert nicht.



1. Die Heineken-Anschluss, der mit Ihrem Bierkühler kommt, kann mit allen Heineken 5 Liter Fässchen arbeiten. Allerdings müssen Sie einen flachen Schraubendreher verwenden, um die grüne Basis aus dem Fass zu entfernen, um den neuen Verbindungsstecker zu installieren, der dem Bierkühler zur Verfügung gestellt ist.
2. Wenn Sie den neuen Anschluss an das Heineken Fass installieren, müssen Sie zunächst das freie Bier Rohr ein Ende mit dem Stecker, ein Ende mit dem Hahn-Mechanismus verbinden, installieren Sie dann den Anschluss an das Heineken Fass.

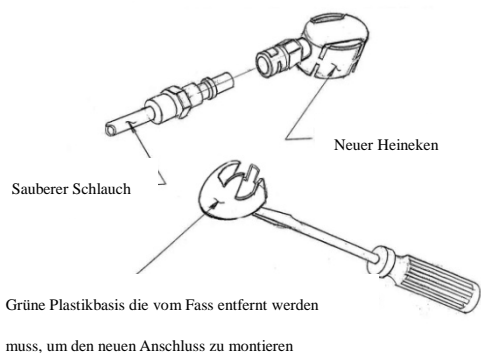


Abbildung 22

Hinweis: Bitte nehmen Sie den Heineken-Adapter mit Verbindungsmöglichkeit, drücken sie dementsprechenden Pfeil, oder es wird das Befestigungselement beschädigen.

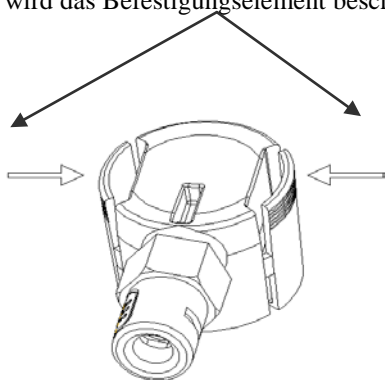


Abbildung 24

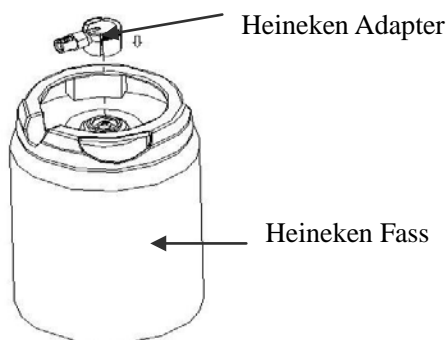


Abbildung 23

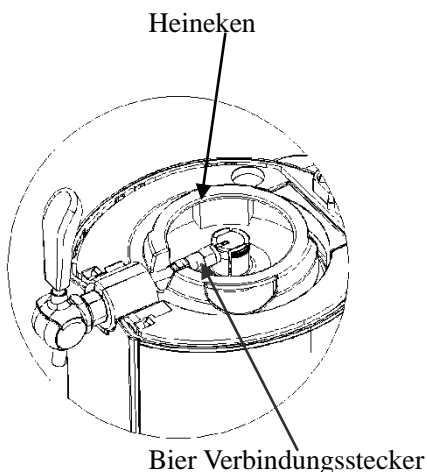


Abbildung 25

3. Schließen Sie die obere Abdeckung; gehen Sie wie im oben gezeigten Schritt 6-12 vor, wie das universelle 5-Liter-Fass, jedoch ist Schritt 9 eine Ausnahme.

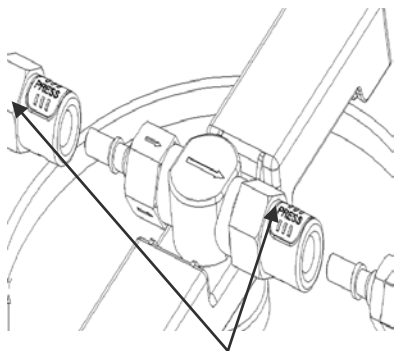
#### D. EIN NEUES BIERFASS EINSETZEN (5 Liter universal Bierfass)

Wenn das Bier im Fass leer ist, bevor Sie eine neue Bierfass reintun.

1. Stellen Sie den CO2-Druckregelknopf auf "-" schalten Sie die CO2-Versorgung aus, sodass das CO2 gespeichert wird.
2. Öffnen Sie die obere Abdeckung des Bierkühlers, öffnen Sie den Zapfhahn, um das Restgas aus das Fass zu lösen (vielleicht mit etwas Bierschaum).
3. Dann geben Sie den Bolzen in das neue Fass und in den Bierkühler. Schließen Sie das Gasrohr an den Bierschlauch von dem Fasseheber, indem Sie die weißen Teile des Fassehebers drücken.
4. Trennen Sie das Gasrohr und den Bierschlauch von dem Fasseheber.
5. Heben Sie das Fass an dem Fasseheber heraus, und ziehen Sie den Bolzen aus dem Fass.
6. Es wird empfohlen, den Hahn Mechanismus jedes Mal, wenn Sie ein Fass ersetzen, zu reinigen. Bitte beachten Sie die folgenden Anweisungen beim Reinigen.

Wenn Sie den Verschluss der Bierabgabeeinheit herausnehmen, können Sie dieses Gerät in Richtung Pfeilanzeige bewegen.

Sie müssen den richtigen Verschluss zunächst herausnehmen, dann den linken Verschluss in Pfeilrichtung schieben, dann können Sie endlich die Ausgabeeinheit herausziehen.



Wenn Sie den Bieranschluss und die CO2-Stecker herausnehmen, drücken Sie bitte unten auf den weißen Knopf.

Abbildung 26

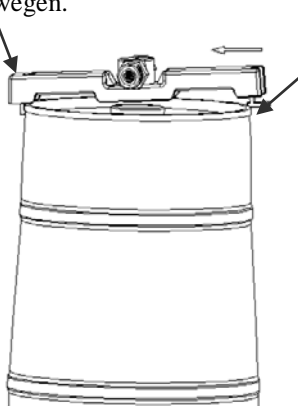


Abbildung 27

## **E. EINE NEUE CO2 PATRONE EINSETZEN** (Keine Notwendigkeit für Heineken Fässer)

Bitte wechseln Sie die CO2-Patrone, wenn kein Bier mehr heraus kommt, wenn der CO2-Druck-Regler auf der "on" Position steht und noch Bier im Fass ist.

1. Wenn Sie den CO2-Druck-Regler auf die "-" Position drehen, stoppen Sie die CO2 Zuführung.
2. Öffnen Sie die obere Abdeckung, lösen Sie den Patronenmantel, und nehmen Sie die leere CO2-Patrone heraus.

Legen Sie eine neue 16g CO2-Patrone in die Hülle, und schrauben Sie den Mantel fest, bis Sie ein "Klick" hören, was darauf hindeutet, dass die Patronendichtung durchstoßen worden ist und das CO2-Gas frei in das Fass fließt. Stellen Sie sicher, dass die Mantelflasche fest fixiert ist, um die CO2-Leckage zu vermeiden. Dann legen Sie die CO2 Mantelflasche in den obere Deckel.

3. Schließen Sie den oberen Deckel des Bierkühlers;

4. Drehen Sie den CO2-Druck-Regler auf die "+" Position, um die CO2-Versorgung zu starten, nun ist es bereit zum Bier zapfen.

**Zur Erinnerung:** jede 16g CO2-Patrone kann für mehr als 5 l Bier Druck ausüben.

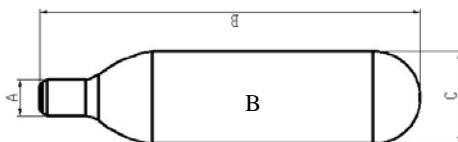
### **Warnung:**

1. Bitte verwenden Sie die qualifizierte CO2-Patrone.

Die hierunter stehenden CO2-Patrone Informationen sind für Ihre Referenz. Verwenden Sie niemals eine Stickstoffgaskartusche im Bierkühler, um, wegen seinem viel zu hohen Druck, eine Explosion zu vermeiden;

2. Eine neue CO2-Patrone braucht eine gute Reserve, jedes Spiel damit ist verboten, oder wird zu Gefahren führen.

## 16g CO2 Patrone



NW g	Volume n ml	GW g	Patrone Gewicht g	A mm	B mm	C mm	D mm	Druck Kgf/cm2	Strahl- druck Bar
15.5	20	57.0	42.0	Ø8.6	88.0	Ø21.7	10	60	450
16.5		58.6	42.6	Ø8.9	89.0	Ø22.0	11		

### F. WASSER IM HOHLRAUM ERSETZEN

Es wird empfohlen, das Wasser im Inneren des Kühlraumes einmal pro Woche zu ersetzen. (Es besteht keine Notwendigkeit, das Wasser für jedes Bierfass zu ersetzen, einmal pro Woche wird empfohlen)

Öffnen Sie den Abfluss-Schalter, der Wasserfluss geht durch das S-förmige Abflussrohr von diesem Ende

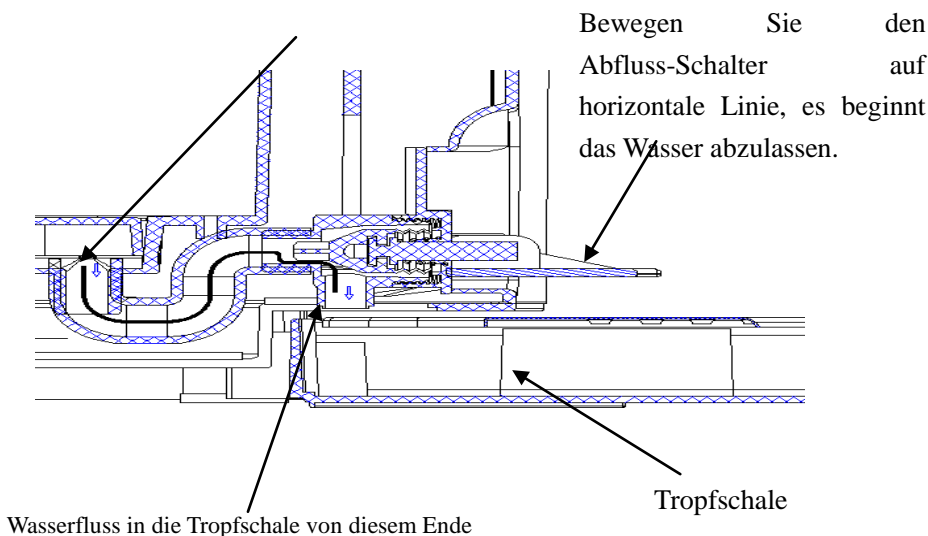


Abbildung 28(Lageskizze der Abflusskonstruktion)

1. Öffnen Sie den Abfluss-Schalter, um das Wasser aus dem Hohlraum in die Tropfschale abfließen zu lassen. Stellen Sie sicher, dass die Tropfschale genau in die Kerbe passt, um eine Wasserflut auf den Tisch zu vermeiden; die Tropfschale kann 450ml Wasser fassen.

2. Nachdem Sie das gesamte Wasser abgelassen haben, schließen Sie den Abfluss-Schalter und gießen 800ml Süßwasser in den Hohlraum.

3. Öffnen Sie den Abfluss-Schalter (ziehen Sie den Schalter nach vorne bis in einen 90 Grad-Winkel), und lassen Sie das Wasser im Inneren des Hohlraums aus dem Fach tropfen, lassen Sie das Wasser zweimal ablaufen..

**Warnung:** 1) Sauberes Wasser ist notwendig;

2) Achten Sie darauf, dass die Tropfschale genau in die Kerbe passt, um eine Wasserflut auf dem Tisch zu vermeiden;

3) In die Tropfschale passen 400-500 ml Wasser;

## **REINIGUNG DES ZAPFHAHN MECHANISMUS**

Der Bierkühler bedarf einer entsprechenden hygienischen Anpassung, es muss vor dem ersten Gebrauch oder für eine Langzeit Verwendung sauber sein, reinigen Sie die gesamte Maschine mit einem trockenen Tuch. Ansonsten werden zwei Reinigungsweise wie folgt empfohlen:

1. Geben Sie warmes Wasser in die zu reinigenden Teile.

2. Und schließen Sie es an das Ende des Bolzen, drücken Sie das Wasser in den Stift, um das Rohr zu reinigen und drücken Sie das Wasser wieder am anderen Ende aus dem Bierrohr heraus. Wiederholen Sie diese Reinigungsarbeiten, bis das Bierrohr sauber ist (Notwendigkeit mindestens 3 Flaschen warmes Wasser)

Bitte reinigen Sie den Bierzapfmechanismus wie in Abbildung 30 abgebildet. Hinweis: Bitte zerlegen Sie den Hahn, wenn Sie ihn reinigen. (Siehe Abbildung 29)

Bier-Anschluss muss mit Abgabereinheit verbunden sein

Bitte öffnen Sie den Wasserhahn, wenn Sie das Bier Rohr reinigen

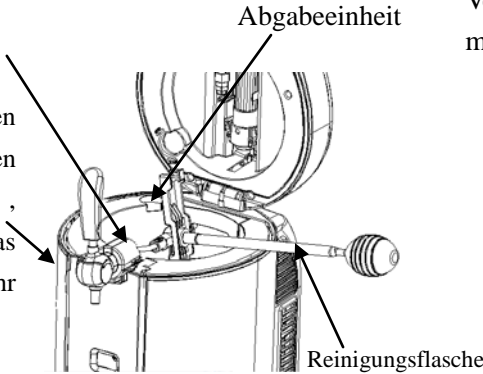


Abbildung 29

Dieser Anschluss muss eine Verbindung mit Reinigungsflasche haben

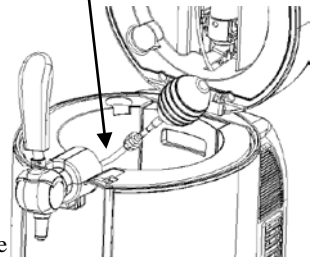


Abbildung 30

## Warnung:

Geben Sie den Bierzapfmechanismus oder Teile davon niemals in die Waschmaschine oder in den Geschirrspüler;  
Benutzen Sie niemals chemische Reinigungsmittel, um die Teile zu reinigen, warm oder gereinigtes Wasser wird empfohlen.

## WECHSELN VON ERSATZTEILEN

### ZUBEHÖR ENTHALTEN IN DEM BIERKÜHLER

Nummer	Name	Anz.	Teillieferung	Bild	Ersatzteile
1	Verbindungsstecker	6	Regelventil		5 St.
2	CO2 Verbinder	2	Regelventil		1St.
3	Bierschlauch	2	Bierausguss Verbinder		1St.



4	Rohrdichtungsring	4	Biereinguss Schlauch		3 St.
5	Fassdichtung	2	Standard Schlauch		2 St.
6	Heineken adaptor	3	Heineken Schlauch		1Set
7	CO2 Patrone	3	Regelventilanzordnung		3 St.
8	Reinigungsflasche	1			1St.

## A. Ersetzen des CO2- Anschluss und der Dichtungsscheibe

Der CO2-Anschluss und die Dichtscheibe werden vielleicht beschädigt, wenn Sie falsch benutzt werden oder aus anderen Gründen, bitte setzen Sie einen neuen ein.

1. Als erstes entnehmen Sie die Dichtscheibe mit einem kleinen Metallstab (Siehe Abbildung 31), entnehmen Sie auch den CO2-Anschluss (wenn Sie nur die Dichtscheibe ersetzen, kann dieser Schritt übersprungen werden). Achten Sie darauf, die anderen Teile des Reglers nicht zu beschädigen.

2. Installieren Sie den neuen CO2-Anschluss in den Regler (legen Sie das scharfe Ende nach außen), und installieren Sie die Dichtscheibe (Siehe Abbildung 32). Entfernen Sie keine anderen Teile des Reglers während des Austauschprozesses.

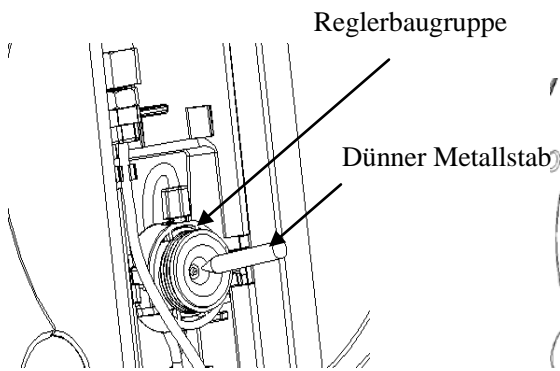


Abbildung 31

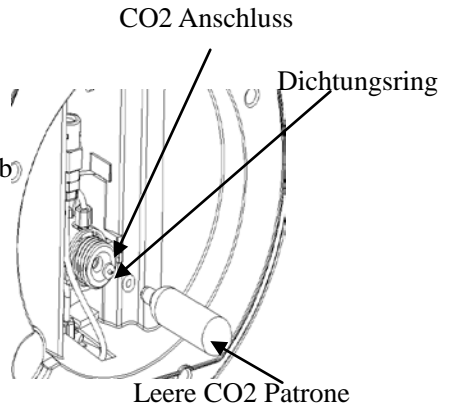


Abbildung 32

**Warnung:** Denken Sie daran, auf den Dichtungsring mit der Leeren Patrone anstatt der neuen Patrone zu drücken, ansonsten besteht ein Risiko.

## B. DEN BIERSCHLAUCH WECHSELN (siehe Abbildung 33)

Bitte ersetzen Sie den Bierschlauch, wenn er beschädigt ist und es dadurch zum Auslaufen des Bieres kommt.

1. Drücken Sie die Verriegelung des Bierschlauches nach unten, und ziehen Sie dann den Schlauch heraus.
2. Schrauben Sie die Gelenkmutter Bierschlauches ab und ziehen Sie den Schlauch heraus.
3. Setzen Sie einen neuen Bierschlauch ein und installieren Sie den Bierschlauch mit umgekehrten Vorgang.

**HINWEISE:** Bewegen Sie keine anderen Schrauben, wenn Sie das Rohr ersetzen, sonst kann es ein Auslaufen von Bier oder ein Gasleck verursachen.

- 1) Drehen Sie den Hahn auf den Stand der Freigabe, öffnen Sie dann die Abdeckung, um den Silikonschlauch herauszunehmen.
- 2) Setzen Sie ein neuen Bier-Silikonschlauch ein und installieren

Sie es mit dem umgekehrten Vorgang.

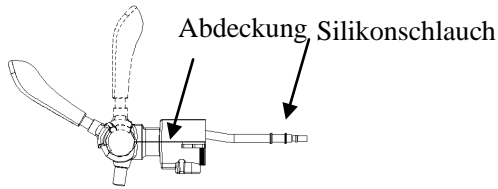


Abbildung 33

### **C. DEN DICHTUNGSRING VOM BIERSCHLAUCH ERSETZEN (Siehe Abbildung 34)**

Ersetzen Sie den neuen Dichtungsring vom Bierschlauch, wenn der Stecker beschädigt ist.

1. Drehen Sie den Bierschlauch heraus wie in der Abbildung unten gezeigt wird
2. Entnehmen Sie den Dichtungsring vom Bierschlauch
3. Setzen Sie einen neuen Dichtungsring auf die gleiche Stelle
4. Drehen Sie den Dichtungsring fest, um jegliches Auslaufen zu vermeiden

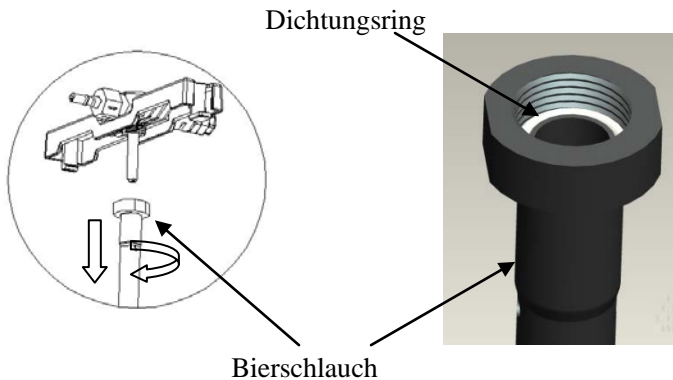


Abbildung 34

# WARTUNG

Wenn der Bierkühler nicht richtig funktioniert, wenden Sie sich bitte an den Kundendienst;

Um Zeit und Geld zu sparen, überprüfen Sie, bevor Sie den Kundendienst anrufen, die Fehlerbehebung. Es listet Ursachen für kleinere Betriebsprobleme, die Sie selbst beheben können.

## Fehlerbehebung

Störung	Ursache	Fehlerbehebung
Der Zapfhahn funktioniert nicht / kann kein Bier ausgießen	<ol style="list-style-type: none"><li>1. Das Gießrohr hat eine schlechte Verbindung oder CO2 Versorgung ist abgeschnitten</li><li>2. Kein Fass oder kein Bier im Fass;</li><li>3. Kein Gas in der CO2-Patrone</li><li>4. Der CO2-Druckregelknopf ist geschlossen</li></ol>	<ol style="list-style-type: none"><li>1. Verbinden Sie das Gießrohr gut und überprüfen die CO2-Versorgung</li><li>2. Wechseln Sie das Fass</li><li>3. Wechseln Sie die CO2-Patrone</li><li>4. Schalten Sie den CO2-Druckregelknopf auf die "+" Position</li></ol>
Zu viel Schaum beim Ausgießen	<ol style="list-style-type: none"><li>1. Sie verwenden einen falschen Weg, um Bier auszugießen</li><li>2. Die Biertemperatur ist zu hoch (besser bei 3-5°C)</li><li>3. Das Fass wurde vor dem Gebrauch geschüttelt</li><li>4. Fast kein Bier im Fass</li><li>5. Zu viel Druck im Fass</li></ol>	<ol style="list-style-type: none"><li>1. Verwenden Sie den richtigen Weg Bier auszugießen</li><li>2. Kühlen Sie das Bier auf 3-5°C</li><li>3. Legen Sie das Bierfass eine Weile beiseite, bis keine Blasen mehr drinnen sind</li><li>4. Wechseln Sie das Fass</li><li>5. Stellen Sie den Druckknopf auf "-", um den Druck zu verringern oder schließen Sie den Knopf</li></ol>

<p>Bier fließt zu langsam</p>	<p>1. Der innere CO<sub>2</sub>-Druck ist nicht hoch genug</p> <p>2. Das Verbindungsrohr zum Gießrohr hat eine Leckage</p>	<p>1. Passen Sie den Druckknopf an, um CO<sub>2</sub> Druck abzulassen oder eine neue zu ersetzen.</p> <p>2. Überprüfen Sie, ob es eine Rohrleckage gibt oder nicht, wenn ja, ersetzen Sie das Rohr</p>
-------------------------------	--	---

## UMWELT



### ACHTUNG :

Werfen Sie nicht dieses Produkt, wie es mit anderen Haushaltsprodukten hat. Es gibt eine Mülltrennung von diesem Produkt in Gemeinden, Sie müssen Ihre lokalen Behörden über die Orte, wo man dieses Produkt zurückgeben können zu informieren. In der Tat enthalten elektrische und elektronische Produkte gefährliche Stoffe, die schädliche Auswirkungen auf die Umwelt oder die menschliche Gesundheit haben und sollte recycelt werden. Das Symbol hier darauf hinweisen, dass elektrische oder elektronische Geräte sollten sorgfältig ausgewählt werden, ist ein fahrbarer Abfallbehälter mit einem Kreuz markiert.

Hergestellt und importiert : Adeva SAS 8 rue Marc Seguin 77290 Mitry-Mory FRANCE

[www.hkoenig.com](http://www.hkoenig.com) - [contact@hkoenig.com](mailto:contact@hkoenig.com) - Tel. 01 64 67 00 01

# NERLANDS

*Lees de handleiding zorgvuldig voor, voor installatie en voor gebruik. Bewaar deze handleiding voor toekomstig gebruik*

## INTRODUCTIE

Dit is een bierkoeler voor huishoudelijk gebruik, uitgerust met CO<sub>2</sub> druksysteem om het bier gekoeld te houden. Het houdt het bier op de beste temperatuur voor opslag binnen de eerste 19-21 uur (0-4°C)

De bierkoeler houdt een 5L fust koud gedurende een lange tijd. Echter wordt het aangeraden om de fust gedurende de eerste 12 uur in de koelkast te plaatsen alvorens het in de bierkoeler te plaatsen.

## BELANGRIJKE VEILIGHEIDSINSTRUCTIES

Er staan veel belangrijke veiligheidsinstructies in deze handleiding. Voor het eerste gebruik dient u alle veiligheidsvoorschriften en gebruiksaanwijzingen door te lezen; bewaar de handleiding op een veilige plaats voor toekomstig gebruik.

### Veiligheidsinstructies

- Alvorens gebruik, controleer of het netsnoer goed functioneert; zo niet, dan kunt u het apparaat niet gebruiken. Bel service center;
- Als het netsnoer beschadigd is, moet het worden vervangen door de fabrikant of zijn service agent of een gelijkwaardig gekwalificeerd persoon om gevaar te voorkomen.
- Alvorens gebruik, controleer of de stekker in overeenstemming is met het stopcontact; zo niet, dan kunt u deze niet gebruiken. Bel het service center;
- Sluit de stekker niet aan wanneer uw handen nat zijn.
- Plaats de bierkoeler op een droge en horizontale ondergrond.

- Om een goede ventilatie voor de bierkoeler te garanderen, zorg ervoor dat de bierkoeler ten minste 5 inch / 10 cm aan beide zijden vrij staat, zodat de correcte ventilatie op het apparaat mogelijk te maken.
- Plaats nooit de bierkoeler onder de zon.
- Dek nooit de bierkoeler wanneer deze in werking is door een ander object.
- De bierkoeler moet in een gebied dat beschermd tegen de elementen, zoals wind, regen, water spray of druppels worden geïnstalleerd.
- Voordat met het schoonmaken en onderhoud operatie, zorg ervoor dat de macht lijn van het apparaat is losgekoppeld. Doet u dit niet kan leiden tot een elektrische schok of de dood.
- Dompel het bierkoeler of de stekker in het water of een andere vloeistof.
- Gebruik geen ruwe doek, schurende spullen aan het bierkoeler te wassen
- Laat bierfust niet uit het bierkoeler als het bier niet volledig wordt gedronken uit.
- Laat de CO<sub>2</sub>-patroon niet opstijgen voordat de binnenkant CO<sub>2</sub> te gebruiken buiten.
- Gebruik de CO<sub>2</sub>-patroon als de kamer temperatuur hoger is dan 49 °C / 120F. Doet u dit niet kan leiden tot een explosie of de dood.
- Laat kinderen nooit om te werken, te spelen met of kruipen in het bierkoeler.
- 1. Dit apparaat is niet bedoeld voor gebruik door personen met beperkte capaciteit op de fysieke, mentale of zintuiglijke gebrek aan ervaring en kennis (inclusief kinderen), tenzij hij hen heeft werd gevraagd om te controleren of als zij instructies over het gebruik van het apparaat door een persoon die

verantwoordelijk is voor hun veiligheid hebben gehad. Kinderen moeten onder toezicht te zorgen dat ze niet spelen met het apparaat.

- 2. Als het netsnoer beschadigd is, moet het worden vervangen door een after-sales service om elk gevaar te voorkomen.

## EEN FUST KIEZEN

- Afgesloten 5L universele fust en Heineken fust is alleen geschikt
- Let goed op de veiligheid en opslag waarschuwingen over de bierfust / op de bierfust.
- Controleer of de fust is niet beschadigd of bier over datum is is voor de aankoop.
- Bescherm de bovenkant tegen beschadigingen. Anders zou het bevestigen van de zuigbuis moeilijk worden.
- Houd de fust koel gedurende 12 uur, maar niet te koud plaats (bijv. vriezer) tot het volgende gebruik.
- Schud de bierfust nooit voor gebruik
- Plaats nooit de bierfust in het zonlicht.

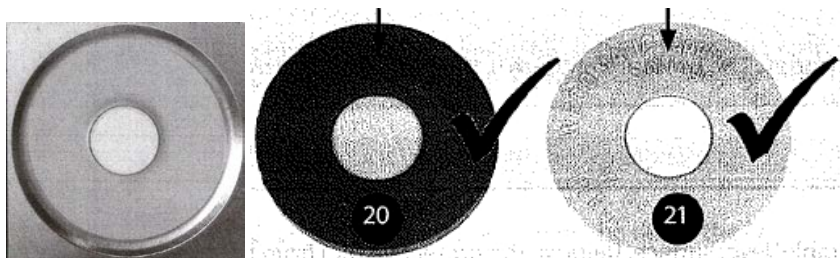


## BIERFUST AFSLUITING

Alle 5 liter bier fust met de volgende verschillende verschijning afdichtingmiddelen kunnen toepassen op het bierkoeler moet echter de informatie hieronder volgen



\* De kit met code No. 20 en 21 kan eenvoudig worden doorboord door de koeler piercing pin.



\*De kit met code No. 22 moeten worden verwijderd van de markering ring uit de massa en prik de bierfust door koeler piercing pin. (Toon als figuur 1)

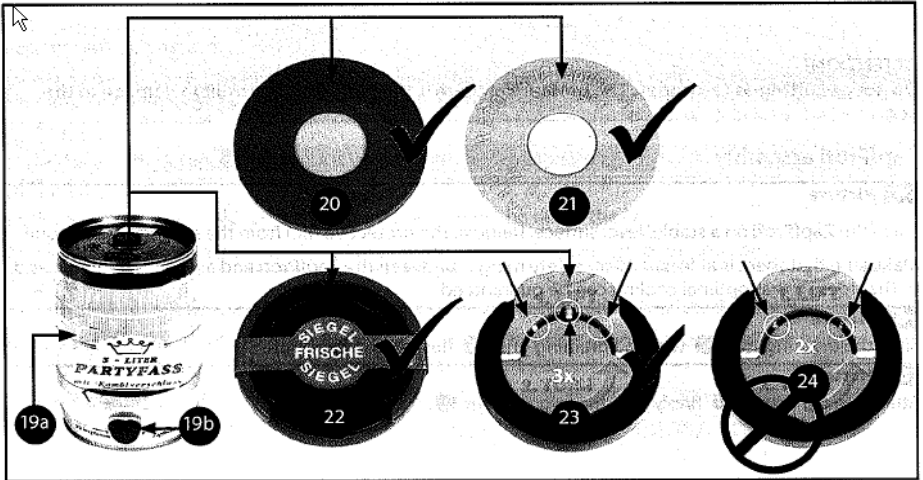


\*Het verschil tussen de code No 23 en 24 is de veiligheid sluiting hoeveelheid. Trek de veiligheidssluiting voorzichtig, draai je om en neem het uit het fust; vervangen door de kit (zoals code No 2 kit) die in het bierkoeler, voeg het bij de bierfust, en die doorboren door koeler piercing pin. (Toon als figuur 3).



Figuur 1

(Belangrijk: Voor het vervangen van de afdichtingmiddelen of piercing de koeler kit, moet u altijd de instructies die op het fust om het overtollige gas weg te nemen en ervoor te zorgen dat het fust lang genoeg om schuim te voorkomen dat coming out door de koeler piercing pin / tap kraan heeft rustte . en het is niet nodig om het gas te laten ontsnappen en vervang de afdichting rubber als je Heineken vaatje gebruikt, omdat Heineken vaatje zijn eigen CO2 druk in en geen zorgen te ontvangen vanuit de CO2 druksysteem.



Figuur 2

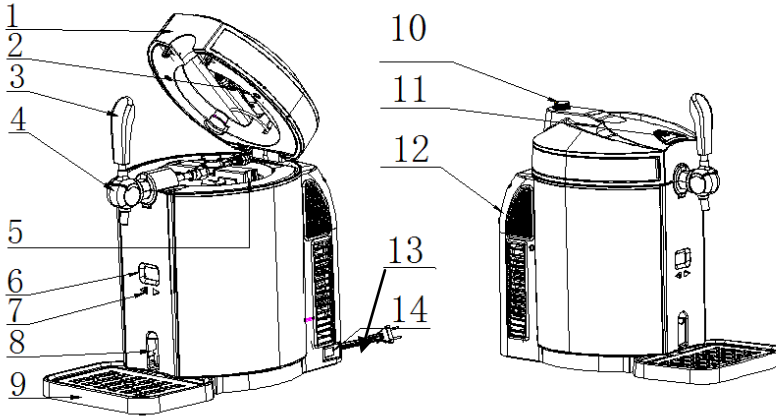


Figuur 3

# SPECIFICATIES

Onderdeel	Beschrijving	Specificatie
1	Voltage	AC 220-240V/50Hz
2	Beschikbare capaciteit	5 liter bier fust
3	Vermogen	65W
4	Koelresultaat	2~12°C adjustable (room temperature 22~24°C)
5	Geluidniveau	≤38dB(A); (ambient noise ≤25dB(A))
6	Dimensies	W272*D480*H470mm
7	Netto gewicht	6.4±0.3Kg
8	CO2 druk	√
9	Roestvrij staal	√
10	Aluminium radiator systeem	√
11	Semi-conductor koel technologie	√
12	Water conductie koel systeem	√
13	LED display functie	√
14	Handmatige drainage	√
15	Verwijderbare lekbak	√
16	Aanpasbare temperatuur	√
17	Koelheidsbehoudingssysteem	PU insulatie / Gewicht 310±5g
18	Klimaat type	N/SN

# ONDERDELEN & KENMERKEN



Figuur 4

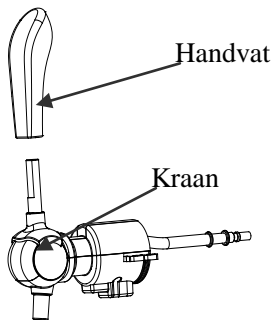
Figuur 5

- |                           |                               |
|---------------------------|-------------------------------|
| 1. Bovendeksel            | 8. Drainage schakelaar        |
| 2. CO2 patroon ingang     | 9. Lekbak                     |
| 3. Tap handfust           | 10. CO2 druk verlichtingsknop |
| 4. Tap                    | 11. Deur sluitknop            |
| 5. Fust lifter            | 12. Deksel achterzijde        |
| 6. LED display            | 13. Kabel & stekker           |
| 7. Digitale controle knop | 14. AC aan knop               |

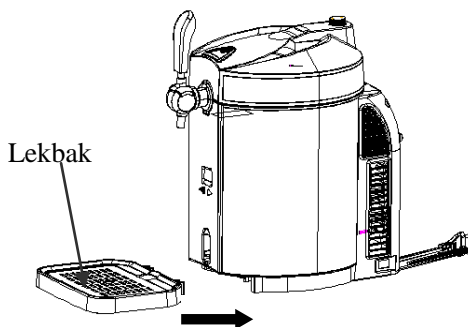
## INSTALLATIE & GEBRUIK

### A. INSTALLATIE

1. Haal de bierkoeler uit de verpakking. Plaats het bierkoeler op een stabiel en horizontaal oppervlak en zorg ervoor dat het bierkoeler ten minste 5 inch / 10 cm afstand van andere apparaten of aan de muur aan beide zijden zodat de correcte ventilatie op de toestellen mogelijk te maken, krijgen betere prestaties.



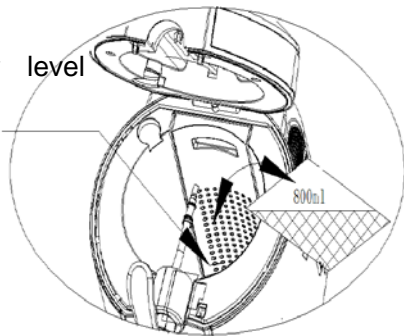
Figuur 6



Figuur 7

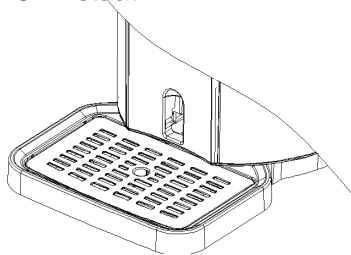
2. Installeer de kraan handfust sluit de kraan, zorg ervoor dat beide uiteinden in elkaar passen perfect. (Getoond als figuur 6)
  3. Stel het water lekbak in de uitsparing voorzien. (Toon als figuur 7)
  4. Steek het bierkoeler.  
Let op: niet aansluiten of loskoppelen van de stekker wanneer uw handen nat zijn. Alvorens te gebruiken, zorg ervoor dat de spanning is overeenstemming is met plug merk, en controleer of het netsnoer goed is aangesloten of niet; zo niet, dan kunt u niet gebruiken, en bel service center;
  5. Breng 800 ml water in de koeling holte of giet het water aan de max markering (Toon als figuur 8) (Het kan werken zonder water, maar het kan de beste prestaties niet weergeven)
- Opmerking: Zorg ervoor dat de afvoer schakelaar op "Off" positie, en geen extra voorwerpen in de koeling holte.

The mr level  
line F



Figuur 8

Zorg ervoor dat de  
drainageschakelaar  
op OFF staat



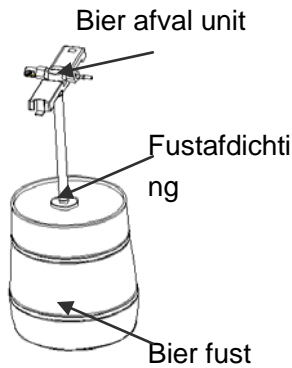
Figuur 9

## B. GEBRUIK

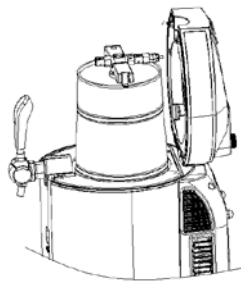
### Universele 5L bier fust

1. Voordat het doorboren van de stop op de top van het fust, moet u altijd de instructies die op het fust om het overtollige gas weg te nemen en ervoor te zorgen dat het fust lang genoeg is om te voorkomen dat schuim coming out door middel van de kraan kraan is uitgerust.

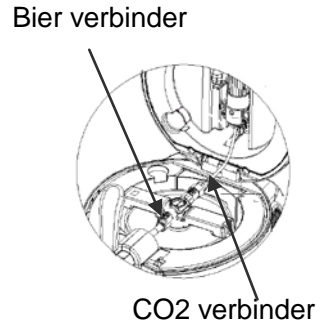
2. oprecht richt de piercing pin tegen de kit op de bovenste midden van het fust (misschien moet je af te rukken van de markering ring of wijzigen van een juiste kit), drukt u op de piercing pin / vaatje lifter aan de kit porren en duw de piercing pin allemaal onder te dompelen in het fust snel. Om de kraan mechanisme assembleren totdat u een "Ka" geluid dat de kraan mechanisme fixes op de bierfust zal aangeven horen. (Toon als figuur 10)



Figuur 10



Figuur 11

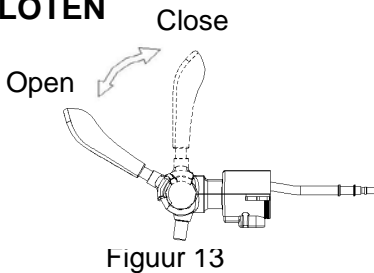


Figuur 12

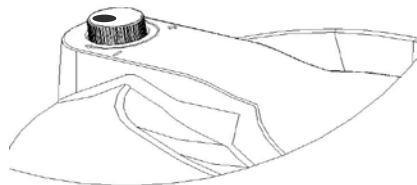
3. 3. Open het bierkoeler met 60-80N kracht en plaats het goed geassembleerde bierfust in de koeling holte; Sluit de CO2-verbinder buis en bier afvoerbuis met de bierfust lifter buis verbinder.

OPMERKINGEN: zorg ervoor dat alle aansluiting van de kraan mechanisme is goed verbonden, en zonder schade. En zorg ervoor dat klep kraan ligt op een nauwe status en de CO2 drukregelaar knop in stand "Off".

**GESLOTEN**

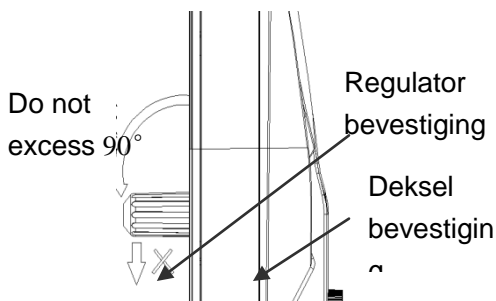


Figuur 13

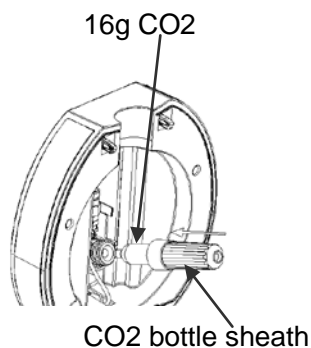


Figuur 14

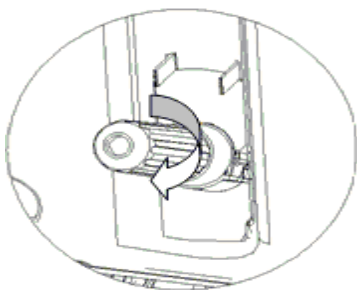
4. Maak de CO2 fles schede (Toon als figuur 15), plaats een 16 gram CO2-patroon in de schede (Figuur 16), en schroef de mantel vast totdat u hoort een "klik" (Figuur 17), hetgeen aangeeft dat de patroonsluiting is doorboord en de CO2-gas vrij in het fust stromen. Maak ons de fles omhulsel is stevig bevestigd aan de CO2-lekkage te voorkomen. Dan zet CO2 fles schede in de bovenklep.



Figuur 15



Figuur 16



Figuur 17

**Notice:**

- \*Turn off the CO2 knob when cooling the beer
- \*Turn off the CO2 knob when the beer flow is paused
- \*Turn off the CO2 knob when changing the CO2 cartridge
- \*When the beer cannot be tapped out (there is still beer in keg), or beer foams are not enough, turn the knob to "+" position for 5 seconds, then turn off it again.

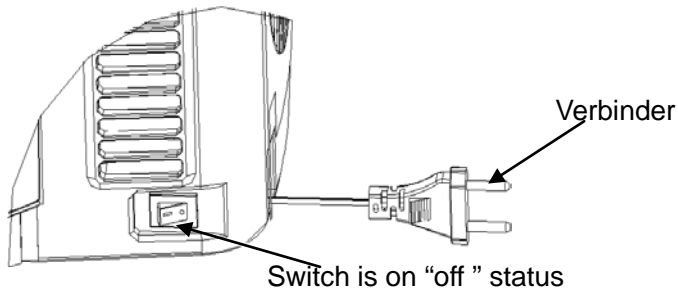
Figuur 18

5. Sluit de bovenklep van het bierkoeler; Wanneer uitgieten het bier, de draai de knop op de bovenklep om "+" positie om de CO2 vrij, en zet hem op "-" positie wanneer pauze of stoppen met het gieten van bier tot de CO2 sluiten. Raadpleeg de aankondiging label op de bovenklep.

6. Zet de schakelaar op "A" om de macht over het bierkoeler. (Terwijl de stand "0" is om de stroom uit te).

**OPMERKINGEN:** Zorg ervoor dat uw handen droog zijn wanneer u het bierkoeler te bedienen, om elektrische schokken te voorkomen.





Figuur 19

7. Het zal 19-21 uur duren om het bier naar 2-4 °C afkoelen op 22-24 °C omgevingstemperatuur. En het kan de temperatuur te houden als set en weergegeven op het LED. Wij doen echter vermoeden dat je in eerste instantie te koelen je bierfust voor ten minste 12 uur in de koelkast voordat u het in het bierkoeler, vooral wanneer de omgevingstemperatuur hoger is dan 25 °C.

8. U kunt de temperatuur in te stellen naar uw smaak te passen, door het indrukken van de knoppen op de frontplaat. De temperatuur kan worden ingesteld van 36 tot 54 °F °F (2 °C tot 12 °C), met behulp van de temperatuur aanpassen knop (+ en -) die zich vernietiging van het temperatuur display.

De PCB heeft de geheugenfunctie, als u de stroom op de koeler, deze herinneringen de set gematigde van de vorige keer.

De LED wordt standaard de werkelijke temperatuur van het bier te geven. U kunt de ingestelde temperatuur te zien door op de "+" knop 1 seconde, wordt de ingestelde temperatuur weer te geven, en 3 seconden later, zal het terug te krijgen en de echte temperatuur weer te geven.

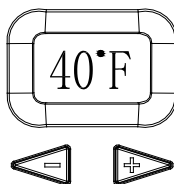
### **Standaard temperatuur**

Het bierkoeler heeft 6 voorgeprogrammeerde temperaturen.

Houd "-" knop, het in te voeren de 6 vooraf ingestelde temperaturen, dan kunt u op "-" om een bepaalde vooraf ingestelde temperatuur te

kiezen, 40 °F (4 °C), 46 °F (8 °C), 48 °F (9 °C) , 50 °F (10 °C), 52 °F (11 °C) en 54 °F (12 °C).

Houd "+" knop kan de eenheid conversie te bereiken tussen Fahrenheit en Celsius.



Figuur 20

9. Stel de CO2 drukregelaar knop om "+" positie, om het bier giet door te trekken naar beneden de kraan mechanisme ongeveer 45 °, en u kunt de drukregelaar knop om het bier debiet en bel bier controle aan te passen; (Figuur 13)

Opmerking: Reinig het glas voordat bier uit te storten; als het bier of bier cup / glas is in de hoge temperatuur of het bier is niet cool genoeg is, zijn er veel bubbels als gieten bier uit;

10. Tijdens het tappen van het bier, leun je bierglas tegen de schenktuit en langzaam strijk het glad met de bier stijgt, dan opent u de kraan mechanisme volledig te veel schuim te voorkomen; Het is raadzaam om half-vol glas, maak een korte pauze alvorens verder de rest.

OPMERKINGEN: Dompel de schenktuit in het bierglas veel schuim te voorkomen; Vergeet niet om de kraan te vergrendelen na het beëindigen van het gieten.

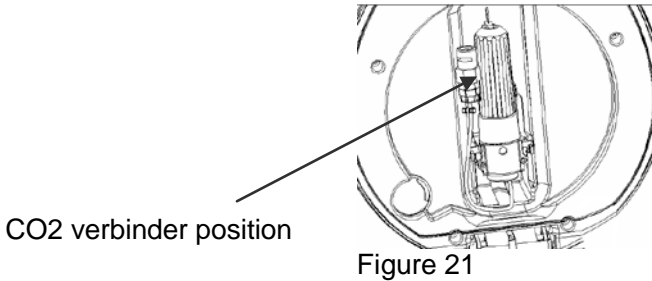
11. Het is normaal om meer bubbels wanneer het gieten van de eerste 3 kopje bier.

12. Er zal een scherpe en high-speed jet wanneer het gieten van de laatste beker van bier uit vaatje.

Pas de CO2 drukregeling knop om "-" positie om de CO2 te sluiten leveren en opslaan van de CO2.

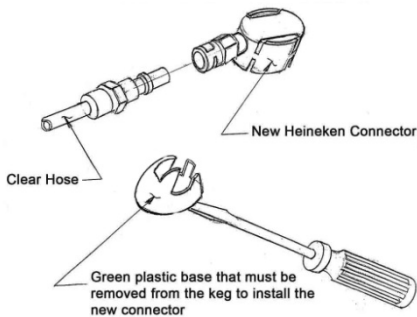
## C. HEINEKEN FUST

Heineken fusten zijn vooraf opgeladen met CO<sub>2</sub>, en niet het gebruik van de regulator niet nodig, geen behoefte te installeren van de CO<sub>2</sub>-patroon. En de knop op de bovenklep niet werkt.

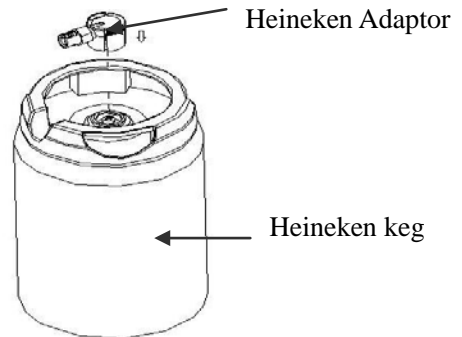


1. De Heineken-verbinder die wordt geleverd met uw bierkoeler kan werken met alle Heineken 5 liter fusten. Toch moet u een platte schroevendraaier gebruiken om de groene basis van het fust te verwijderen om de nieuwe verbinder, voorzien van het bierkoeler installeren.

2. Bij het installeren van de nieuwe verbinder aan de Heineken vaatje, moet u eerst het heldere bier bus ene naar de verbinder, een einde te maken aan de kraan mechanisme, installeer dan de verbinder aan de Heineken vaatje.

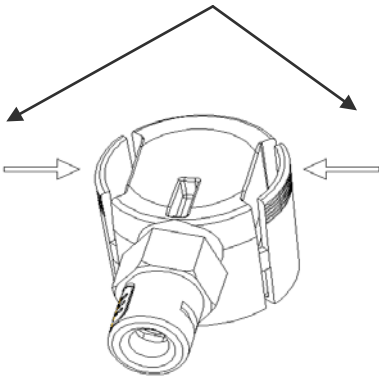


Figuur 22

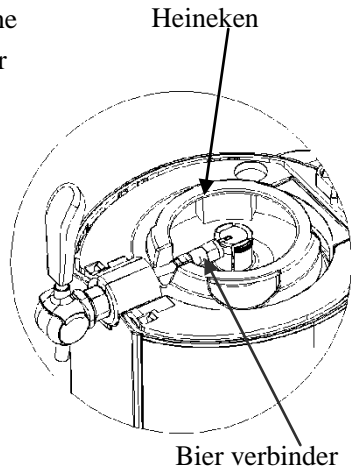


Figuur 23

Note: Please take out the Heineken adaptor with collect ways, Press it according the arrow indication, or will damage the fastener



Figuur 24



Figuur 25

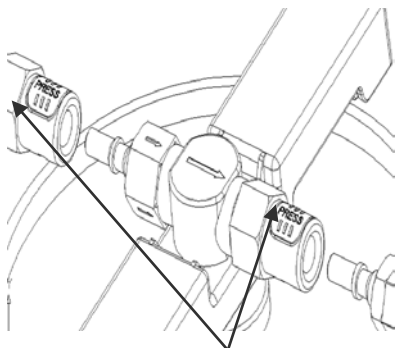
3. Sluit de bovenklep; bedienen zoals boven stap 6-12, als universele 5 liter vaatje, maar stap 9 is uitzondering.

#### **D. BIERFUST VERWISSELEN (5 liter universele fust)**

Wanneer het bier in leeg is, voordat u een nieuw bierfust.

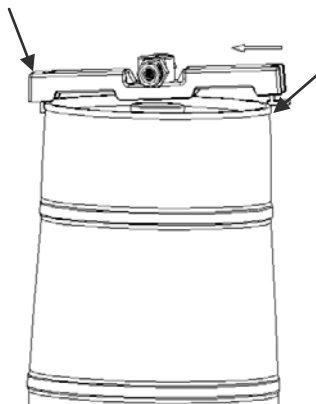
1. Stel de CO2 drukregeling knop om "-" switch af te sluiten van de CO2 leveren en op te slaan van de CO2.
2. Open de bovenklep van het bierkoeler, trek de kraan op het handfust naar beneden om de rest van het gas te laten ontsnappen uit het fust (misschien met wat bier schuim).
3. Dan zet de piercing pin in het nieuwe fust en in het bierkoeler te zetten. Sluit de gas-buis en bier buis uit de bierfust lifter, door op de witte delen van vaatje lifter.
4. Koppel de gas-buis en bier buis uit de bierfust lifter,
5. Haal de bierfust door de vaatje lifter, en trek de piercing pin uit het fust.

6. Het wordt aanbevolen om de kraan mechanisme schoon te maken wanneer het veranderen van de bierfust elke keer. Verwijzen wij u naar de onderstaande inhoud over het reinigen.



Bij het uitnemen van de bierverbinder en de CO2 verbinder drukt u op de witte knop

Figuur 26



Figuur 27

## **E. NIEUW CO2 PATROON BEVESTIGEN** (Geen behoefte aan Heineken vaatje)

Wijzig de CO2-patroon als geen bier kan uitstorten wanneer de CO2 druk knop in "on" positie en heeft bier in fust

1. Bij het draaien van de CO2 druk knop om "-" positie, om de CO2 leveren van te sluiten.
2. Open de bovenklep, los van de patroon omhulsel, en neem de lege CO2-patroon.

Plaats een nieuwe 16g CO2-patroon in de schede, en schroef de mantel vast totdat u hoort een "klik", wat aangeeft dat de patroon afdichting is doorboord en de CO2-gas vrij in het fust stromen. Maak ons de fles omhulsel is stevig bevestigd aan de CO2-lekkage te voorkomen. Dan zet CO2 fles schede in de bovenklep.

3. Sluit de bovenklep van bierkoeler;

4. Draai de CO2 druk knop om "+" positie te schakelen op de CO2-levering, en het is klaar om bier te ou pourt.

**Let op:** elk 16g CO2 patroon kan meer dan 5 liter bier uit druk;

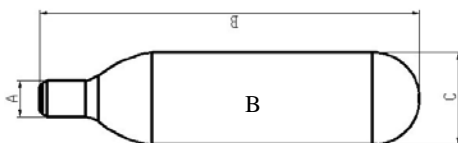
### Waarschuwing:

1. Maak gebruik van de gekwalificeerde CO2-patroon.

Onderstaande informatie CO2-patroon voor uw referentie. Nooit Stikstof gaspatroon in het bierkoeler de explosiegevaar vanwege de veel hogere druk;

2. Nieuwe CO2-patroon nodig hebt goede reserve, elk spel is verboden, of zullen gevaren veroorzaken.

### 16g CO2 Patroon



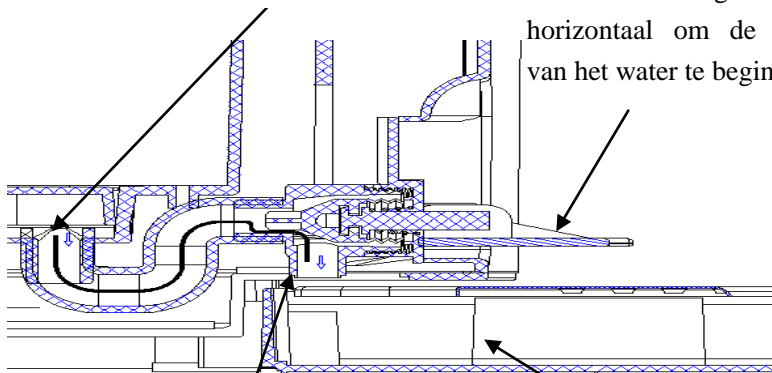
NW g	Volume ml	GW g	Patroon Weight g	A mm	B mm	C mm	D mm	Druk Kgf/cm2	Tapdruk Bar
15.5   16.5	20	57.0   58.6	42.0   42.6	Ø8.6   Ø8.9	88.0   89.0	Ø21.7   Ø22.0	10   11	60	450

## F. WATER IN KOELER VERVANGEN

Het verdient aanbeveling het vervangen van water in de holte eenmaal per week. (Geen behoefte om het water te vervangen voor elke bierfust, een week een keer aanbevolen)

Öffnen Sie die Drain-Schalter,  
Wasserfluss in die S-Form  
drainpipe von diesem Ende

Draai de drainage schakelaar  
horizontaal om de drainage  
van het water te beginnen



Water stroomt in de lekbak vanuit dit  
uiteinde

Lekbak

Figuur 28(Schets van het drainage systeem)

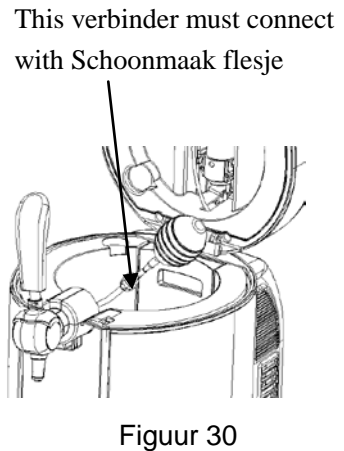
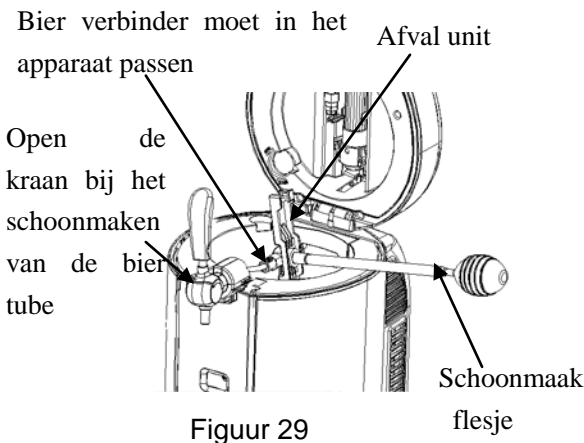
1. Open de afvoer schakelaar om uit te lekken uit het water uit de holte in het lekbakje. Zorg ervoor dat de lekbak is passen in de uitsparing om de waterstroom naar het bureau te voorkomen; de lekbak kan 450ml water te laden;
2. Nadat al het water weglopen, sluit de afvoer switch en zet 800ml zoet water in de holte.
3. Open de afvoer schakelaar (sleep de schakelaar naar voren tot 90 graden), en laat het water in de holte om lade druppelen, en hoeft tweemaal om afvoer uit het water.

**Waarschuwing:** 1) Schoon water is noodzakelijk; 2) Zorg ervoor dat de lekbak is passen in de uitsparing om de waterstroom naar het bureau te voorkomen; 3) De lekbak kan 400-500 ml water te laden;

# SCHOONMAAK TAP MECHANISME

Bierkoelers behoefte voldoet aan hygiënische eisen, het moeten schoon zijn voor het eerste gebruik of voor lange tijd gebruik, het reinigen van de gehele machine met een droge doek. Anders twee schoonmaak manier wordt aanbevolen als volgt:

1. Plaats het warme water in de schoonmaak kit.
2. En sluit het einde van piercing pin, druk op het water in de pen om de pin buis te reinigen, en duw het water uit het bier buis aan de andere kant. En herhaal deze reinigingswerkzaamheden tot het bier buis schoon (behoefte 3 flessen warm water in ieder geval), dan kunt u het reinigen van de tap mechanisme figuur 30. Let op: Demonteer de kraan bij het maken van de schoonmaak. (Toon als figuur 29)



## Waarschuwing:

Zet nooit de kraan mechanisme delen in de wasmachine of vaatwasser;

Gebruik nooit de chemische reinigingsmiddel om de onderdelen schoon te maken, wordt warm of gezuiverd water aanbevolen.



# VERVANGINGSONDERDELEN

## ACCESSOIRES VAN UW BIERKOELER

Items	Name	Qty.	Installment	Picture	Spare parts
1	Verbinder afdichting	6	Regulator valve		5pcs
2	CO2 verbinder	2	Regulator valve		1pcs
3	Bier tube	2	Bier-out verbinder		1pcs
4	Tube afdichtings ring	4	Bier-in pipe		3
5	Fust afsluiting	2	Standard tube		2
6	Heineken adapter	3	Heineken tube		1set
7	CO2 patroon	3	Regulator valve assemblage		3
8	Schoonmaak flesje	1			1

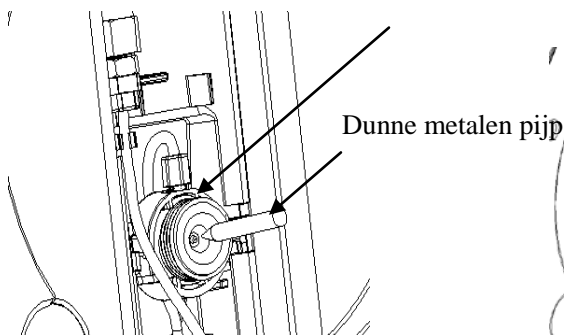
### A. Vervang de CO2-verbinder en afdichting

CO2-verbinder en afdichting misschien beschadigd bij verkeerd gebruik of andere redenen, dan kunt u vervangen door een nieuwe.

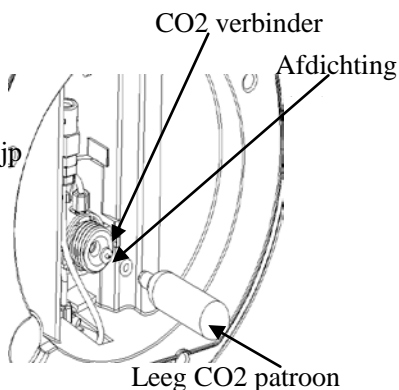
1. Ten eerste, het uitzoeken van de afdichting wasmachine met een kleine metalen stok (Toon als figuur 31), en verwijder de CO2-verbinder (al was het maar vervang de afdichting wasmachine, kan deze stap worden geannuleerd). Wees voorzichtig met andere delen van de regulator niet beschadigen.

2. Installeer een nieuwe CO2-verbinder in de regulator (laat het scherpe uiteinde buiten naar), en installeer de afdichting (Toon als

figuur 32). Geen andere delen van de regulator niet verwijderen in de vervanging proces.



Figuur 31



Figuur 32

**Let op:** Vergeet niet druk op de afdichting cirkel met lege patroon in plaats van nieuwe patroon, of zullen leiden tot gevaar.

## **B. BIERTUBE VERWISSELEN (Zie figuur 33)**

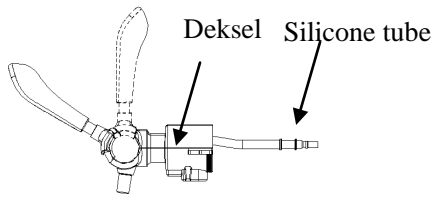
Vervang het bier buis als bier buis is beschadigd en veroorzaken bier lekkage.

1. Trek de vergrendeling van het bier buis, en dan trekken uit de buis.
2. Schroef de gezamenlijke moer bier buis, en trek de buis uit.
3. Breng een nieuw bier buis, en installeer het bier buis volgens met omgekeerde procedure.

**LET OP:** Niet bewegen andere schroeven bij de verwerking van vervanging van de slang, anders kan het bier lekkage of gas lekken.

1) Zet de kraan aan de staat van het vrijgeven, en open vervolgens het deksel tot het afsluiten van silicone buis.

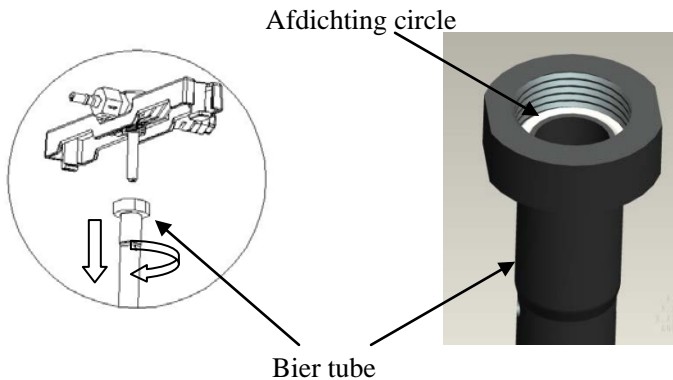
2) Vervang een nieuw bier siliconen buis en installeer het volgens met omgekeerde procedure.



Figuur 33

### C. Vervang de afdichtingcirkel van bier buis (Zie figuur 34)

1. Vervang de nieuwe afdichting cirkel bier buis als de verbinder heeft lekkage
2. Zet het bier buis als indicatie van geloei figuur
3. Neem het zegel kring van bier buis
4. Breng een nieuwe afdichting cirkel op dezelfde positie
5. Draai de afdichting cirkel strak om lekkage te voorkomen



Figuur 34

# ONDERHOUD

Als de bierkoeler niet goed werkt, kunt u bellen met het service center;

Om tijd en geld te besparen, voordat u belt voor service, check de handleiding Problemen oplossen. Het betreft oorzaak van kleine operatie problemen die u zelf kunt oplossen.

## Probleemoplossing

Probleem	Oorzaak	Oplossing
De tap doet het niet / er komt geen bier uit	<ol style="list-style-type: none"><li>1. Het gieten buis is in slechte verbinding of CO2 toevoeren wordt afgesneden</li><li>2. Geen vaatje of geen bier in het fust;</li><li>3. Geen gas in de CO2-patroon</li><li>4. De CO2 drukregelaar knop is dichtbij</li></ol>	<ol style="list-style-type: none"><li>1. Wel sluit de stromende buis en het leveren van CO2</li><li>2. Wijzig een nieuw vaatje</li><li>3. Verander een nieuwe CO2-patroon</li><li>4. Draai de CO2 drukregelaar knop op "+" positie</li></ol>
Teveel schuim uit de tap	<ol style="list-style-type: none"><li>1. Gebruik een verkeerde manier om bier uit te storten</li><li>2. Het bier temp is hoog (beter 3-5C)</li><li>3. Het vaatje wordt geschud voor gebruik</li><li>4. Bijna geen bier in het fust</li><li>5. Te veel druk op het fust</li></ol>	<ol style="list-style-type: none"><li>1. Gebruik de juiste manier om bier uit te storten</li><li>2. Koel het bier naar beneden om 3-5C</li><li>3. Doe de bierfust opzij een tijdje tot geen bel binnen</li><li>4. Wijzig een nieuw vaatje</li><li>5. Stel de druk knop om "-" richting om de druk te verlagen of sluit de draaiknop</li></ol>
Bier stroomt te langzaam uit de tap	<ol style="list-style-type: none"><li>1. Binnen CO2 druk is niet hoog genoeg is</li><li>2. De verbindingbuis voor het gieten buis lekkage</li></ol>	<ol style="list-style-type: none"><li>1. Stel de druk knop om zoveel CO2 druk te verminderen of te vervangen door een nieuwe.</li><li>2. Controleer of de buis lekkage of niet, zo ja, vervang de binnenband</li></ol>

# MILIEU



## ATTENTIE :

Dit apparaat mag niet met uw ander huishoudelijke toestellen worden verwijderd. Dit product moet op een geselecteerde stortplaats verwijderd worden. U kunt bij de gemeente een indicerende plaats aanvragen. Elektrisch en elektronische producten kunnen gevaarlijke stoffen inhouden die schadelijk zijn voor mensen en het milieu en moet recycled worden. Het symbool aan de kant geeft aan dat het een elektrisch en elektronisch toestel is en zijn dus artikelen van een selectieve collectie. Het beeld geeft een afvalbak met een X teken aan.

Geproduceerd en geïmporteerd door : Adeva SAS 8, Rue Marc Seguin 77290, Mitry-Mory FRANKRIJK

[www.hkoenig.com](http://www.hkoenig.com) - [contact@hkoenig.com](mailto:contact@hkoenig.com) – Telefoon: 01 64 67 00 01

# **ESPAÑOL**

*Por favor, lea el manual de instrucciones antes de instalar, operar la máquina y guárdelo para futuras referencias.*

## **INTRODUCCIÓN**

Este es un refrigerador de cerveza doméstico, equipado con un sistema de presión de un cartucho de CO<sub>2</sub> para mantener la cerveza fresca. Mantiene la cerveza a la mejor temperatura para el almacenamiento en frío (0 a 4°C) dentro de un aproximado de 19-21 horas.

El refrigerador de cerveza mantendrá refrigerado el barril de 5L durante un período casi indefinido. Nosotros, sin embargo, nosotros sugerimos que inicialmente usted enfríe su cerveza por lo menos 12 horas en su refrigerador antes de que lo coloque en el refrigerador de cerveza.

## **Instrucciones de seguridad importantes**

Hemos colocado muchos mensajes importantes de seguridad en el manual de instrucciones para el refrigerador de la cerveza. Antes de usar su refrigerador de cerveza, lea y cumpla las normas de seguridad e instrucciones de funcionamiento; y poner el manual de instrucciones en un lugar seguro para futuras referencias.

### **Instrucción de seguridad**

- Antes de usar, compruebe si el cable de alimentación está en buenas condiciones o está dañado; si no, por favor no lo use, y comuníquese con el centro de servicio al cliente;
- Si el cable de alimentación está dañado, debe ser reemplazado por el fabricante o su agente de servicio o una persona calificada con el fin de evitar futuras situaciones de peligro.
- Antes de utilizarlo, compruebe si el enchufe se ajusta con la toma de corriente o no; si no, por favor no lo use, y llame a su centro de servicio.

- No conecte o desconecte el cable de conexión con las manos mojadas.
- Coloque el refrigerador de cerveza en una superficie seca y horizontal.
- Para garantizar una ventilación adecuada para el refrigerador de la cerveza, asegúrese de que el refrigerador de cerveza tenga un espacio al menos de 5 pulgadas / 10 cm de distancia a cada lado para permitir una ventilación correcta en el aparato.
- Nunca ponga el refrigerador de cerveza bajo la luz del sol.
- No cubra el refrigerador de la cerveza con algún objeto cuando está funcionando.
- El refrigerador de cerveza se debe instalar en un área protegida de la intemperie, como viento, lluvia, rocío de agua o gotas.
- Antes de proceder con la limpieza y la operación de mantenimiento, asegúrese de que el cable de alimentación de la unidad esté desconectado. El no hacerlo puede provocar una descarga eléctrica o la muerte.
- No sumerja el refrigerador de cerveza o el cable de conexión en el agua u otro líquido.
- No utilice un paño grueso o algún material abrasivo para limpiar el refrigerador de la cerveza.
- No retire el barril de cerveza fuera del refrigerador de cerveza si la cerveza no se bebe por completo.
- No retire el cartucho de CO<sub>2</sub> antes de que el cartucho interior se haya usado por completo.
- No utilice el cartucho de CO<sub>2</sub> si la temperatura ambiente es más de 19°C / 120F. De no seguir esta instrucción, se podría producir una explosión o la muerte.
- Nunca permita que los niños operen, jueguen o entren dentro del refrigerador de cerveza.

- Este dispositivo no está destinado a ser utilizado por personas con capacidad reducida en lo físico, mental o sensorial, o falta de experiencia y conocimiento (incluidos los niños), a menos que los tiene fue el encargado de supervisar o si han tenido instrucciones sobre el uso del aparato por una persona responsable de su seguridad. Los niños deben ser supervisados para asegurarse de que no jueguen con el aparato.
- Si el cable de alimentación está dañado, debe ser sustituido por un servicio post-venta para evitar cualquier peligro.

## COMO SELECCIONAR UN BARRIL

- Solo aplican barriles sellados y universales de 5L y Heineken.
- Preste mucha atención a los mensajes de seguridad y almacenamiento sobre el barril / en el barril.
- Compruebe si el barril está dañado y si la cerveza ha superado su fecha de vencimiento antes de comprar.
- Proteger la superficie superior de cualquier tipo de daño. De lo contrario será difícil de adherir el tubo de succión.
- Mantener el barril en un lugar frío durante 12 horas, pero no en un lugar demasiado frío (refrigerador) hasta el próximo uso.
- Nunca sacuda el barril antes de su uso.
- Nunca ponga el barril de cerveza bajo la luz del sol.

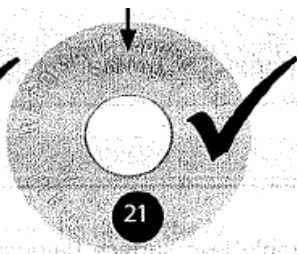
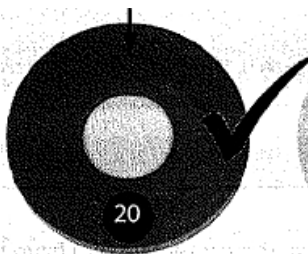
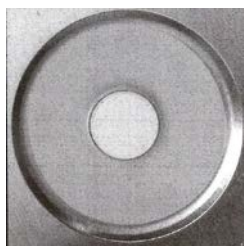


## SELLADO DEL BARRIL DE CERVEZA

Los barriles de cerveza de 5 litros con los siguientes tipos de selladores y con esta apariencia pueden aplicar al refrigerador de cerveza, sin embargo, se debe seguir la información de la siguiente manera.



\* Los selladores con código N° 20 y 21 pueden ser perforados con sólo la punta del pin perforador del refrigerador.



\* Con los selladores con código N° 22 hay que eliminar el anillo marcado desde el sellador y perforar el barril con el refrigerador punta perforadora. (Ver la Figura 1)



\* La diferencia entre el código n ° 23 y 24 es la cantidad del cierre de seguridad. Tire hacia arriba del cierre de seguridad con cuidado, dar la vuelta y lo saca del barril; reemplácelo por el sellador (como el código n ° 2 sellador) previsto en el refrigerador de la cerveza, adjúntelo al barril de cerveza, y se le pasará por el refrigerador punta perforadora. (Mostrar que la figura 3)

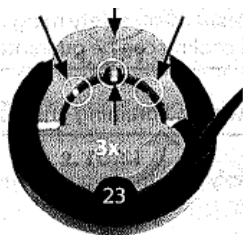


Figura 1

Importante: Antes de sustituir los selladores o perforar el kit del refrigerador, siempre hay que seguir las instrucciones indicadas en

el barril para eliminar el exceso de gas y asegurar que el barril haya descansado lo suficiente como para evitar que la espuma salga a través del enfriador del grifo de punta perforadora. No hay necesidad de liberar el gas y volver a colocar la junta de goma si se utiliza un barril Heineken, debido a que el barril Heineken tiene su propia presión de CO2 en el interior, y no hay necesidad de ser proporcionada desde el sistema de presión de CO2 externa.

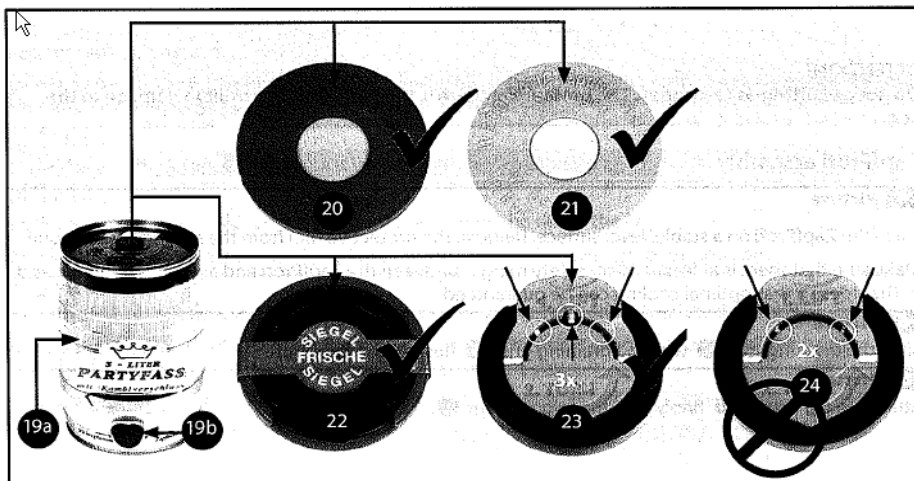


Figura 2



Figura 3

# ESPECIFICACIONES

Ítem	Descripción	Especificación
1	Voltaje	AC 220-240V/50Hz
2	Capacidad disponible	Barril de cerveza de 5 litros
3	potencia nominal de funcionamiento	65W
4	rendimiento de la refrigeración	2~12°Cajustable (cuarto temperatura 22~24°C)
5	Nivel de ruido	≤38dB(A); (Ruido ambiental ≤25dB(A))
6	Dimensiones	W272*D480*H470mm
7	Peso neto	6.4±0.3Kg
8	CO2 unidad de presión a cabo	√
9	apariencia de acero inoxidable	√
10	sistema de radiadores de aluminio	√
11	La tecnología de refrigeración de semiconductores	√
12	sistema de refrigeración de conducción de agua	√
13	función de visualización LED	√
14	Equipo de drenaje Manual	√
15	bandeja de goteo de agua desmontable	√
16	temperatura ajustable	√
17	sistema de conservación fresca	PU aislamiento / Peso 310±5g
18	tipo de clima	N/SN

# PIEZAS Y

## CARACTERÍSTICAS

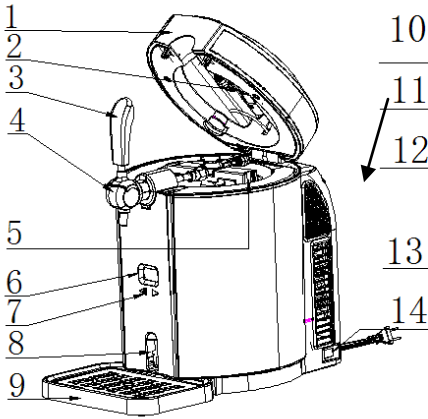


Figura 4

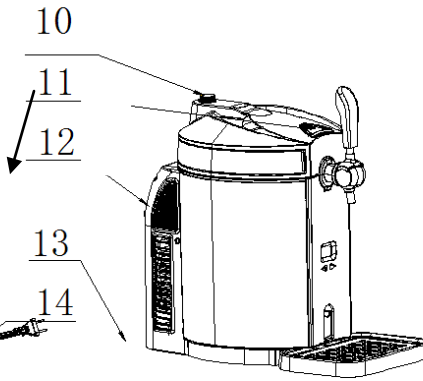


Figura 5

1. Cubierta superior

2. Cartucho CO2

3. Manija del grifo

4. Grifo

5. Levantador de barril

6. LED pantalla

7. Botón de control digital

8. interruptor de drenaje

9. Bandeja de goteo

10. CO2 válvula de alivio de presión / tecla

11. botón de bloqueo de la puerta

12. Cubierta trasera

13. cable de alimentación y el enchufe

14. interruptor de alimentación de CA

## INSTALACIÓN Y FUNCIONAMIENTO

### A. INSTALACIÓN

1. Sacar el refrigerador de cerveza de su envoltorio. Coloque el refrigerador de cerveza en una superficie firme y horizontal, y asegúrese de que el refrigerador de cerveza mantenga una distancia de al menos 5 pulgadas / 10 cm de distancia de otros

aparatos o de la pared en cada lado para permitir una correcta ventilación de la máquina y así obtener un mejor rendimiento.

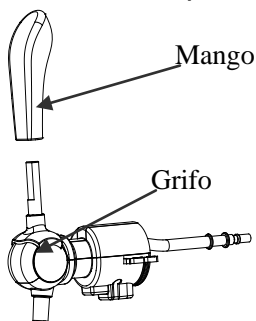


Figura 6

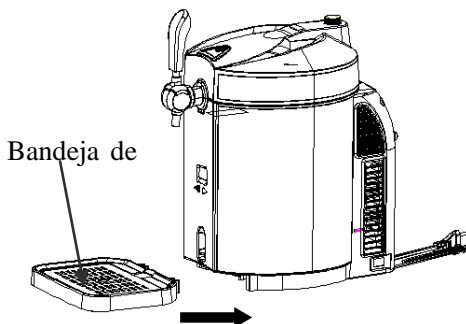


Figura 7

2. Instalar la manija del grifo, conectar el grifo, asegúrese de que ambos extremos encajen perfectamente. (Como muestra la Figura 6)

3. Coloque la bandeja de goteo de agua en el lugar previsto. (Demostración; como la figura 7)

4. Enchufe el refrigerador de cerveza.

Nota: No conecte o desconecte el enchufe eléctrico con las manos mojadas. Antes de usarlo, asegúrese de que la tensión es igual a la que indica en la marca del enchufe, y comprobar si el cable de alimentación está bien conectado o no; si no, por favor no lo use, y llame a un centro de servicio;

5. Poner 800 ml de agua en la cavidad de refrigeración o verter el agua hasta el punto donde indique "max" (como se muestra en la figura 8) (Se puede trabajar sin agua, pero no se puede asegurar el mejor rendimiento)

Nota: Asegúrese de que el interruptor de drenaje esté en la posición "OFF" (apagado), y que no haya objetos adicionales en la cavidad de refrigeración.

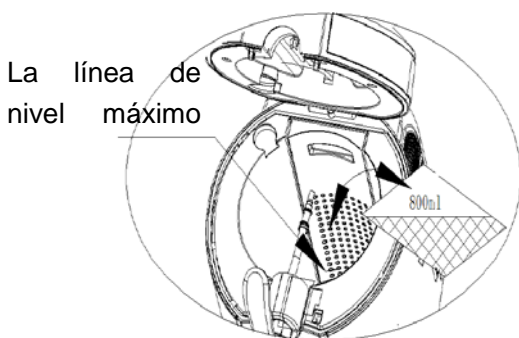


Figure 9

Asegúrese de que el interruptor de drenaje esté en esta posición "OFF".

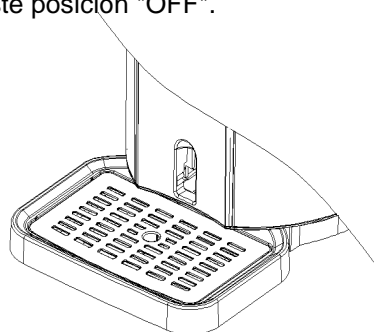


Figure 10

## B. OPERACIÓN

### Barril de cerveza de 5L universal

1. Antes de perforar el tapón en la parte superior del barril, siempre hay que seguir las instrucciones indicadas en el barril para eliminar el exceso de gas y asegurar que el barril haya descansado lo suficiente como para evitar la espuma que sale por la llave del grifo.

2. dirigir rectamente la punta perforadora contra el sellador en la parte superior central del barril (tal vez usted necesite arrancar el anillo marcado o cambiar a un sellante adecuado), presione la punta perforadora / levantador de barril para empujar el sellador y luego empuje la punta perforadora y sumerja todo en el barril rápidamente. Debe montar el mecanismo del grifo hasta que escuche un sonido que indicará las correcciones del mecanismo del grifo en el barril de cerveza. (Demostración como la figura 10)

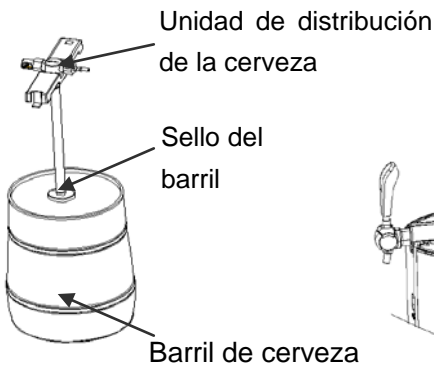


Figura 10

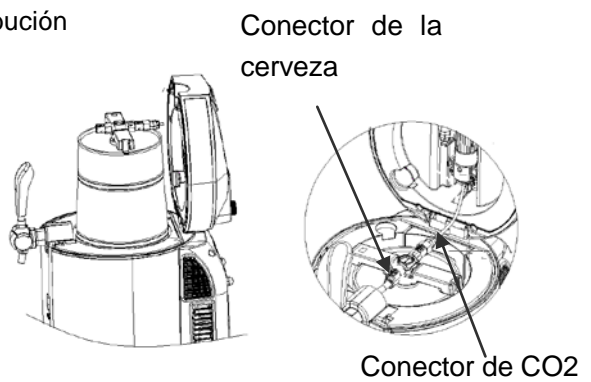


Figura 11

Figura 12

3. Abrir el refrigerador de cerveza con una fuerza de 60-80N y coloque el barril bien ensamblado en la cavidad de refrigeración; Conectar el tubo de salida al tubo conector de CO2 con el conector del tubo de cerveza del barril.

NOTAS: asegurarse de que todas las conexiones del mecanismo del grifo estén muy bien conectados, y sin daños. Y que la válvula del grifo de seguro esté en estado de cierre, y el mando del regulador de presión de CO2 esté en estado "off" (apagado).

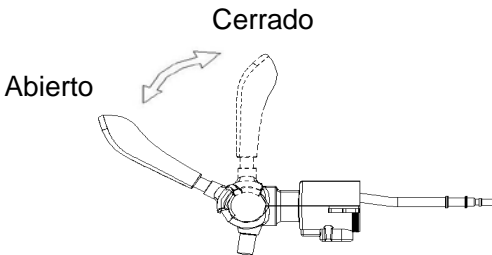


Figura 13

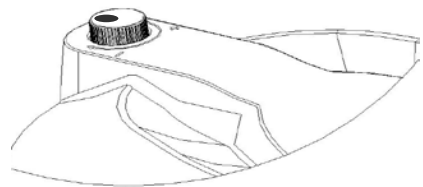


Figura 14

4. Afloje la funda de la botella de CO2 (como se muestra en la figura 15), inserte un cartucho de CO2 de 16 gramos en la funda (Figura 16), y el tornillo de la cubierta firmemente hasta que se oye un "click" (Figura 17), lo que indica que el cierre de cartucho se ha perforado y el gas de CO2 puede fluir en el barril libremente. Asegúrese que la

funda de la botella se fije firmemente para evitar la fuga de CO<sub>2</sub>. A continuación, coloque la botella de CO<sub>2</sub> en la funda de la cubierta superior.

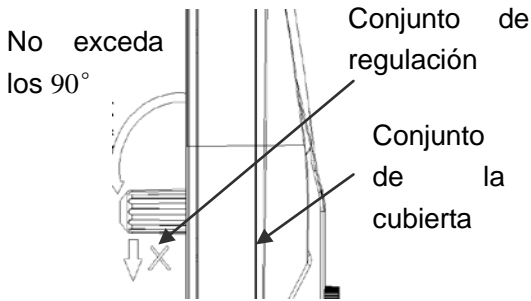


Figura 15

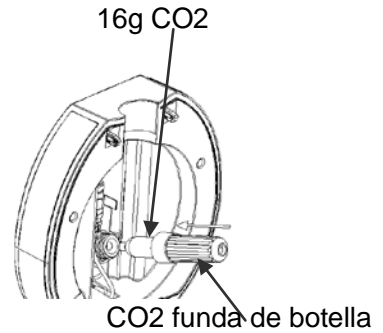


Figura 16

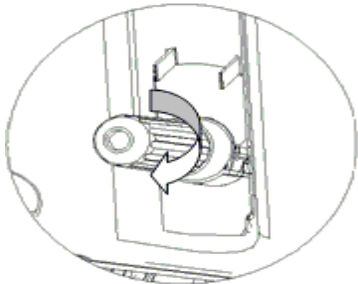


Figura 17

**Tomar en cuenta:**

- \* Apague el botón de CO<sub>2</sub>, cuando este enfriando su cerveza
- \* Apague el botón de CO<sub>2</sub>, cuando se detenga el flujo de cerveza
- \* Apague el botón de CO<sub>2</sub>, cuando cambie el cartucho de CO<sub>2</sub>
- \* cuando no pueda retirar cerveza (aún hay cerveza en el barril) o no hay suficiente espuma, gire la perilla a la posición "+" por 5 segundo, luego gírela nuevamente

Figura 18

5. Cierre la cubierta superior del refrigerador de cerveza; Al verter la cerveza, de vuelta a la perilla en la cubierta superior a la posición "+" para liberar el CO<sub>2</sub>, y gírela a la posición "-", cuando desee pausar o dejar de verter la cerveza, así cerrará el flujo de CO<sub>2</sub>. Por favor refiérase a la etiqueta de aviso en la cubierta superior.



6. Encienda el interruptor de encendido en la posición "A" para encender el refrigerador de la cerveza. (Si bien la posición "0" es para apagar).

**NOTAS:** Por favor asegúrese de que sus manos estén secas cuando se opera el refrigerador de cerveza, para evitar descargas eléctricas.

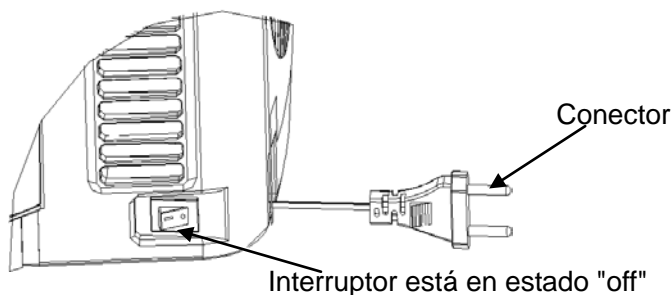


Figura 19

7. Se llevará a 19-21 horas para enfriar la cerveza a 2-4 °C temperatura a 22-24 °C ambiente. Y se puede mantener la temperatura como conjunto y se muestran en la pantalla LED. Nosotros, sin embargo, sugerimos que enfríe inicialmente el barril de cerveza durante al menos 12 horas en el refrigerador de su casa antes de colocarla en el refrigerador de cerveza, sobre todo cuando la temperatura ambiente es superior a 25 °C.

8. Puede ajustar la temperatura para adaptarse a su gusto, pulsando los botones de la placa frontal. La temperatura se puede ajustar entre 36 °C a 54 °C (2 °C a 12 °C), usando el botón de ajuste de temperatura (+ y -) situado a un lado de la pantalla de la temperatura.

El PCB tiene la función de memoria, cuando se enciende el refrigerador, la máquina podrá recordar la temperatura que se haya establecido la última vez.

El LED mostrará por defecto la temperatura real de la cerveza. Se puede ver la temperatura de ajuste pulsando el botón "+", en 1 segundo, se mostrará la temperatura establecida, y 3 segundos más tarde, se va a recuperar y mostrará la temperatura real.

## La temperatura preestablecida

El enfriador de cerveza tiene 6 temperaturas preestablecidas.

Pulse y mantenga pulsado botón "-", que introduce las 6 temperaturas preestablecidas, a continuación, puede pulsar el botón "-" para elegir una determinada temperatura preestablecida, 40 °F (4 °C), 46 °F (8 °C), 48 °F (9 °C) , 50 °F (10 °C), 52 °F (11 °C) y 54 °F (12 °C).

Manteniendo pulsado el botón "+", la unidad puede conseguir la conversión entre Fahrenheit y Celsius

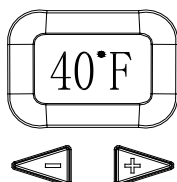


Figura 20

9. Ajuste la perilla del regulador de presión de CO<sub>2</sub> a la posición "+", para verter la cerveza hacia afuera oprimiendo el mecanismo del grifo posicione a un ángulo cercano a 45 °, y se puede ajustar la perilla del regulador de presión para controlar la velocidad del flujo de cerveza y el de las burbujas de cerveza; (Figura 13).

Nota: Limpiar el cristal antes de verter la cerveza fuera; si la taza de cerveza o / jarra para cerveza está en alta temperatura o la cerveza no está lo suficientemente fría, habrá muchas burbujas cuando se vierten cerveza.

10. Cuando vacíe la cerveza, incline su vaso de cerveza contra la boca de vertido y lentamente enderezarla con la cerveza en aumento, a continuación, abra el mecanismo del grifo por completo para evitar que se generé una gran cantidad de burbujas; Es

recomendable verter medio vaso y hacer una breve pausa antes de continuar el resto.

**NOTAS:** Nunca sumerja el pico de verter en el vaso de cerveza para evitar que se genere una gran cantidad de burbujas; Recuerde que debe bloquear el grifo después de terminar verter.

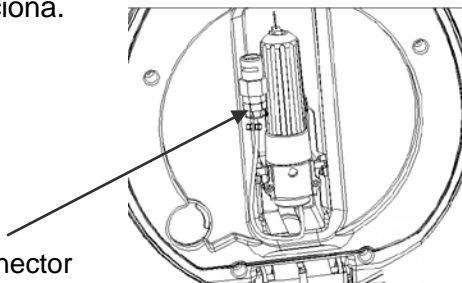
11. Es normal que haya más burbujas cuando se vierte las 3 primeras tazas de cerveza.

12. Habrá un chorro agudo y de alta velocidad cuando se vierte la última taza de cerveza de barril.

Por favor, ajuste el mando del regulador de presión de CO2 a la posición "-" para cerrar el suministro de CO2 y ahorrar el CO2.

### C. Barril Heineken

Barriles Heineken son pre-cargados con CO2, y no requieren el uso del regulador, no hay necesidad de instalar el cartucho de CO2. Y la perilla de la cubierta superior no funciona.



Posición del conector  
CO2

Figura 21

1. El conector de Heineken que viene con el refrigerador de cerveza puede trabajar con todos los barriles Heineken 5 litros. Sin embargo, usted debe utilizar un destornillador de cabeza plana para quitar la base verde del barril con el fin de instalar el nuevo conector, provisto con el refrigerador de cerveza.

2. Cuando instale el nuevo conector al barril Heineken, primero debe instalar el tubo de cerveza en un extremo del conector y un extremo al mecanismo del grifo, a continuación, instale el conector en el barril de Heineken.



Figura 22

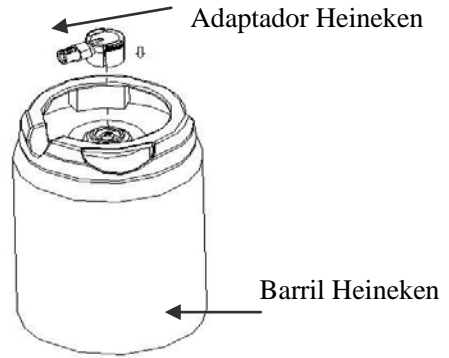


Figura 23

Nota: Tenga a mano el adaptador de Heineken con formas de prensa revertida, de la manera que según indica la flecha, o dañará el sujetador

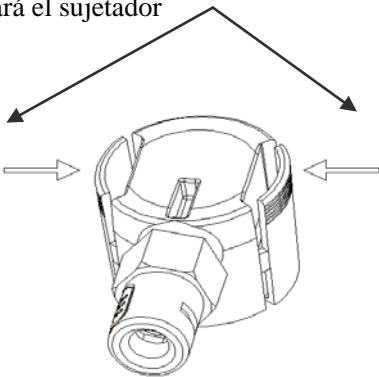


Figura 24

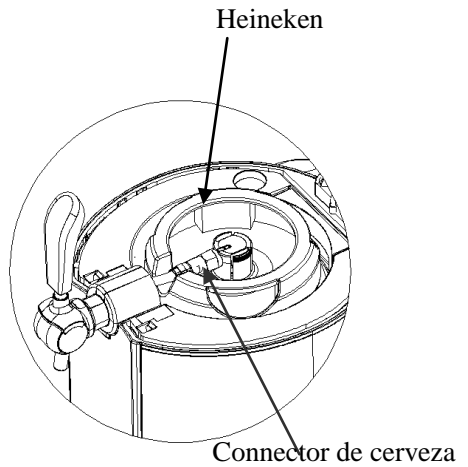


Figura 25

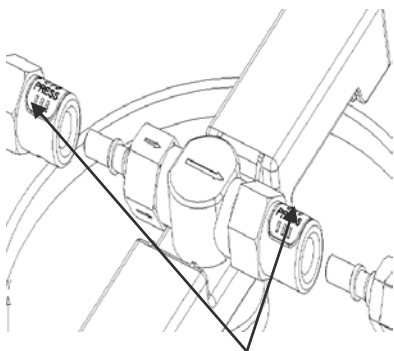
3. Cierre La Cubierta superior; opérela al igual que el anterior paso 6-12, Como El Barril de 5 litros universales, Pero el paso 9 es una excepción.

## **D. PARA CAMBIAR UN NUEVO BARRIL DE CERVEZA** (Barriles universales de 5L)

Asegúrese que la cerveza en el barril se haya agotado, antes de cambiar de un nuevo barril de cerveza.

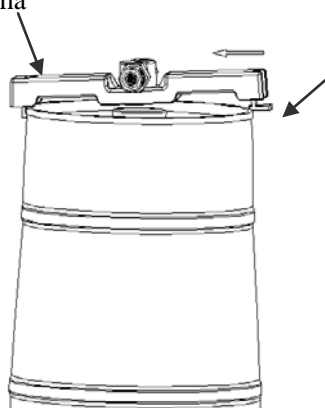
1. Ajuste el mando de regulación de la presión de CO<sub>2</sub> a la posición "-" esto provocará el cierre del suministro de CO<sub>2</sub> y ahorrará el CO<sub>2</sub>.
2. Abra la cubierta superior del refrigerador de cerveza, tirar hacia abajo el mango del grifo para liberar el gas restante en el barril (tal vez esto produzca un poco de burbujas de cerveza).
3. A continuación, poner el pasador de perforación en el nuevo barril y poner en el refrigerador de la cerveza. Conectar el tubo de gas y el tubo de cerveza de barril del elevador, presionando la parte blanca de levantador de barril.
4. Desconecte el tubo de gas y el tubo de cerveza del levantador de barril.
5. Sacar el barril por el elevador barril, y tire del pasador de perforación del barril.
6. Se recomienda limpiar el mecanismo del grifo cuando se cambia el barril de cerveza cada vez. Por favor referirse al contenido de abajo sobre la limpieza.

Cuando usted saca el sujetador de la unidad de distribución de cerveza, puede mover la unidad hacia la indicación de la flecha



Al sacar el conector de la cerveza y el CO2, por favor presione el botón blanco abajo

Figura 26



Debe sacar el sujetador a la derecha en primer lugar, a continuación, empuje el cierre de la izquierda como indica la flecha, se puede sacar la unidad de dispensación finalmente.

Figura 27

## **E. CARGAR UN NUEVO CARTUCHO DE CO2 (No hay necesidad en un barril Heineken)**

Por favor, cambie el cartucho de CO2 si no se puede verter la cerveza fuera cuando la perilla de presión de CO2 está en posición "on" (encendido) y tiene cerveza en barril.

1. Cuando gire el mando de presión de CO2 a la posición "-", para cerrar el suministro de CO2.
2. Abra la cubierta superior, afloje la funda del cartucho, y saque el cartucho de CO2 vacío.

Insertar un nuevo cartucho de CO2 de 16g en la funda, y destornille de la cubierta firmemente hasta que se oiga un "click", que indica que el cierre de cartucho se ha perforado y el gas CO2 puede fluir libremente en el barril.

Asegúrese que la funda de la botella esté fijada firmemente para

evitar la fuga de CO2. A continuación, coloque la funda de la botella de CO2 en la cubierta superior.

3. Cierre la cubierta superior del refrigerador de cerveza;

4. Gire el botón de presión de CO2 a la posición "+" para encender el suministro de CO2, y estará listo para verter la cerveza fuera.

**Recordatorio:** cada cartucho de CO2 de 16g puede presionar más de 5L de cerveza.

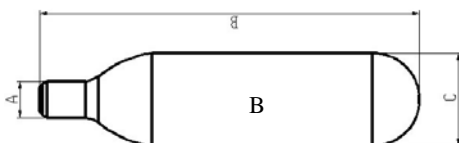
**Advertencia:**

1. Utilice el cartucho de CO2 cualificado.

La información del cartucho de CO2 lo puede encontrar debajo de su referencia. Nunca use cartucho de gas nitrógeno en el refrigerador de cerveza para evitar la explosión, debido a su presión es mucho mayor.

2. El nuevo cartucho de CO2 cuenta con buena reserva, está prohibido jugar o cualquier tipo de manipulación inadecuada, o causará algún peligros.

**16g CO2 Cartucho**



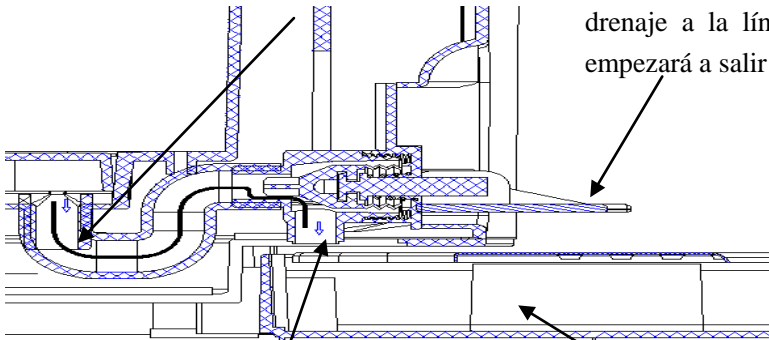
NW g	Volu- men ml	GW g	Peso del cartucho g	A mm	B mm	C mm	D mm	Presión Kgf/cm2	Explo- sión de presión
15.5	20	57.0	42.0	Ø8.6	88.0	Ø21.7	10	60	450
16.5		58.6	42.6	Ø8.9	89.0	Ø22.0	11		

## F. REEMPLAZAR EL AGUA DENTRO DE LA CAVIDAD DE ENFRIAMIENTO

Se recomienda sustituir el agua en el interior de la cavidad una vez por semana. (No es necesario reemplazar el agua por cada barril de cerveza, una vez a la semana es lo recomendado)

Abra el interruptor de drenaje, el flujo de agua en la tubería de drenaje en forma de S desde este extremo

Mueva el interruptor de drenaje a la línea horizontal, empezará a salir agua



El flujo de agua en la bandeja de goteo desde este extremo

Bandeja de goteo

Figura 28(Mapa esquemático de la construcción de drenaje)

1. Abra el interruptor de drenaje para drenar el agua de la cavidad en la bandeja de goteo. Asegúrese de que la bandeja de goteo encaje en la muesca para evitar el flujo de agua a la mesa; la bandeja de goteo puede cargar agua hasta 450ml;
2. Después de que toda el agua drene hacia fuera, se debe cerrar el interruptor de drenaje y coloque 800ml de agua fresca en la cavidad.
3. Abra el interruptor de drenaje (arrastre el interruptor de avance a un ángulo de 90 grados), y drene el agua en el interior de la cavidad de la bandeja de goteo, tendrá que repetir 2 veces para drenar el agua.



**Advertencia:** 1) El agua limpia es necesaria;

2) Asegúrese de que la bandeja de goteo encaje en la muesca para evitar el flujo de agua hacia el mostrador;

3) La bandeja de goteo puede cargar 400-500 ml de agua;

## MECANISMO DE LIMPIEZA DEL GRIFO DE CERVEZA

La refrigeradora de cerveza necesita conformidad higiénica, se necesita limpiar antes del primer uso o para su uso prolongado, limpie toda la máquina con un paño seco. De lo contrario limpie 2 veces, se recomienda la limpieza de la siguiente manera:

1. Cargar el agua caliente en el kit de limpieza.

2. Y conecte el extremo de la punta perforadora, presione el agua en el tubo para limpiar el tubo de alfiler, y empujar el agua hacia fuera del tubo de cerveza en el otro extremo. Y repetir esta operación de limpieza hasta que el tubo de cerveza este limpio (necesita 3 botellas de agua tibia por lo menos), limpie el mecanismo dispensador de cerveza que se muestra en la figura 30. Nota: Por favor, desmontar el grifo cuando haga la limpieza. (Demostración como la figura 29)

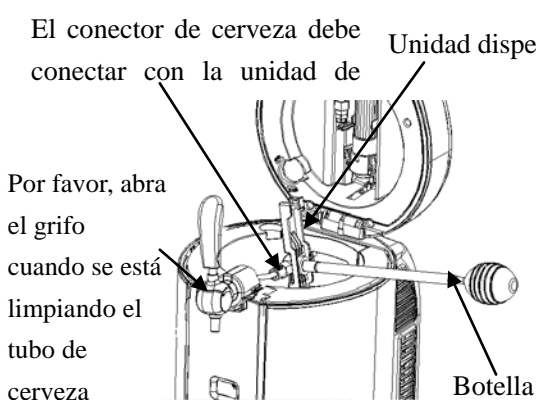


Figure 29

limpieza

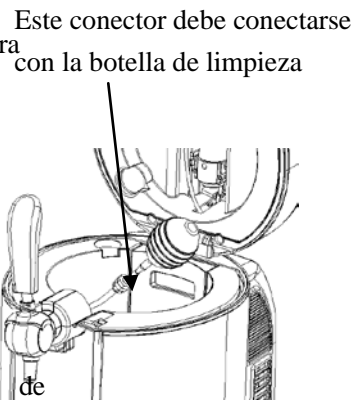


Figura 30









## Advertencia:

Nunca ponga las partes del mecanismo del grifo en la lavadora o el lavavajillas;

Nunca use el detergente químico de limpieza para limpiar las partes, se recomienda utilizar agua caliente o purificada.

## PARA EL CAMBIO DE REPUESTOS

### ACCESORIO INCLUIDOS CON SU REFRIGERADOR DE CERVEZA

ítems	Nombre	Cantidad.	Instalación	Picture	Piezas de repuesto
1	sello del conector	6	La válvula reguladora		5pcs
2	Conector de CO2	2	La válvula reguladora		1pcs
3	Tubo de cerveza	2	Conector de salida de la cerveza		1pcs
4	círculo sello del tubo	4	tubo de cerveza		3pcs
5	sello barril	2	Tubo estándar		2pcs
6	Adaptador Heineken	3	Cubo Heineken		1set
7	CO2 cartucho	3	Conjunto de la válvula del regulador		3pcs
8	botella de limpieza	1			1pcs

## A. Reemplazar el conector de CO2 y la arandela de sellado

El conector de CO2 y la arandela de sellado podrían dañarse por el mal uso o por otras razones, por favor reemplazar por uno nuevo.

1. En primer lugar, elegir la arandela de sellado con una pequeña vara de metal (como se muestra en la figura 31), y retirar el conector de CO2 (aunque si sólo va a reemplazar la arandela de sellado, este paso puede ser evitado). Tenga cuidado de no dañar otras partes del regulador.

2. Instalar un nuevo conector de CO2 en el regulador (dejar en el extremo afilado hacia fuera), e instalar la arandela de sellado (como se muestra en la figura 32). No retire otras partes del regulador en el proceso de sustitución.

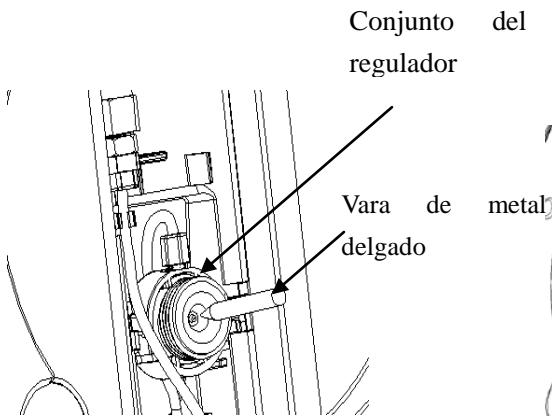


Figura 31

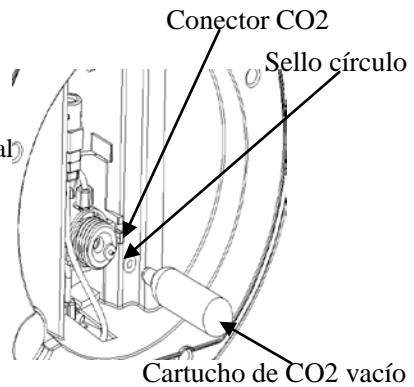


Figura 32

**Advertencia:** Recuerde pulsar el sello circular con el cartucho vacío en lugar del cartucho nuevo, o causará futuros daños.

## B. PARA EL CAMBIO DEL TUBO DE CERVEZA (como se muestra la figura 33)

Por favor, sustituir el tubo de cerveza si el tubo de cerveza está dañado y está provocando una fuga de cerveza.

1. Tire hacia abajo el bloqueo del tubo de cerveza, y luego extraiga el tubo.
2. Desenrosque la tuerca conjunta de tubo de cerveza, y retire el tubo.
3. Coloque un nuevo tubo de cerveza, e instale el tubo de cerveza de acuerdo con el procedimiento inverso.

**NOTAS:** No mueva otros tornillos en el proceso de sustitución del tubo, de lo contrario, puede provocar la fuga de cerveza o una fuga de gas.

1) Cierre la llave al estado de liberación y abra la tapa para sacar tubo de silicona.

2) Reemplazar un nuevo tubo de silicona cerveza, e instalarlo de acuerdo con el procedimiento inverso.

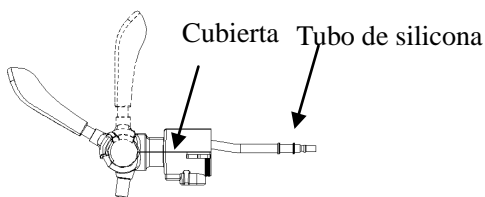


Figure 33

### **C. Vuelva a colocar el círculo sello del tubo de cerveza (como muestra la figura 34)**

Vuelva a colocar el nuevo sello circular de tubo de cerveza si el conector tiene fugas.

1. Coloque el grifo en la posición de “+” y luego abra la cubierta para que pueda retirar el tubo de silicona.
2. Sacar el sello circular del tubo de cerveza.
3. Vuelva a colocar un nuevo sello circular en la misma posición del sello.

4. Girar el sello circular herméticamente para evitar cualquier fuga.

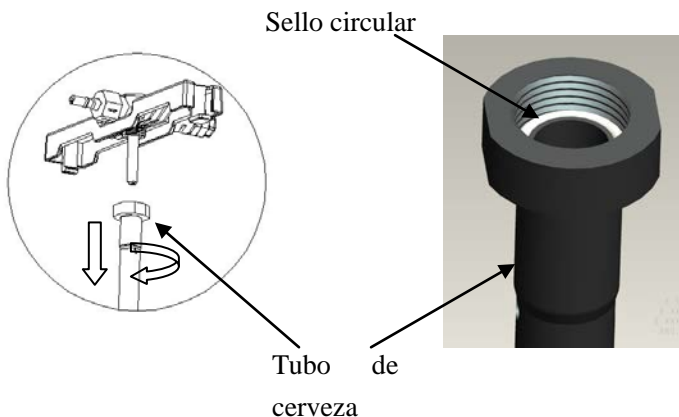


Figura 34

## MANTENIMIENTO

Si el refrigerador de la cerveza no funciona correctamente, por favor llame al centro de servicios;

Para ahorrar tiempo y dinero, antes de llamar al servicio, revise la Guía para solucionar problemas. En él se enumeran causa de problemas de operación de menor importancia que se pueden corregir a sí mismo.

### Solución de problemas

Problema	Causa	Solución de problemas
El grifo no funciona / no se puede verter la cerveza fuera	<ol style="list-style-type: none"> <li>1. El tubo de vertido está en una mala conexión o CO2 se corta suministrar</li> <li>2. No pierna o no cerveza en el barril;</li> <li>3. No hay gas en el cartucho de CO2</li> <li>4. El mando del regulador de presión de CO2 está cerca</li> </ol>	<ol style="list-style-type: none"> <li>1. Así conectar el tubo de vertido y el suministro de CO2</li> <li>2. Cambiar un nuevo barril</li> <li>3. Cambiar un cartucho de CO2</li> <li>4. Cambiar un cartucho de CO2 Girar el mando del regulador de presión de CO2 en la posición "+"</li> </ol>

<p>El derrame por exceso de burbujas</p>	<ol style="list-style-type: none"> <li>1. Utilice una manera incorrecta de verter la cerveza fuera</li> <li>2. La temperatura de la cerveza es alta (mejor en C3-5)</li> <li>3. El barril se agita antes de su uso</li> <li>4. Casi no hay cerveza en el barril</li> <li>5. El exceso de presión en el barril</li> </ol>	<ol style="list-style-type: none"> <li>1. Utilizar de la manera correcta para verter la cerveza fuera</li> <li>2. Enfríe la cerveza hasta C3-5</li> <li>3. Ponga el barril de cerveza a un lado por un tiempo hasta que no queden burbujas en el interior</li> <li>4. Cambiar un nuevo barril</li> <li>5. Ajuste el botón de presión para dirección "-" para disminuir la presión o cerrar la perilla</li> </ol>
<p>La cerveza fluye muy lentamente</p>	<ol style="list-style-type: none"> <li>1. presión de CO2 en el interior no es lo suficientemente alto</li> <li>2. El tubo de conexión para tubo de vertido tiene fugas</li> </ol>	<ol style="list-style-type: none"> <li>1. Ajuste el botón de presión para liberar mucha presión de CO2 o sustituir por uno nuevo.</li> <li>2. Compruebe si el tubo tiene alguna fuga o no, si es así reemplazar el tubo</li> </ol>

## MEDIO AMBIENTE



### ATENCIÓN :

No se deshaga de este producto como lo hace con otros productos del hogar. Existe un sistema selectivo de colecta de este producto puesto en marcha por las comunidades, debe de informarse en su ayuntamiento acerca de los lugares en los que puede depositar este producto. De hecho, los productos eléctricos y electrónicos pueden contener sustancias peligrosas que tienen efectos nefastos para el medio ambiente o para la salud humana y deben ser reciclados. El símbolo aquí presente indica que los equipos eléctricos o electrónicos deben de ser cuidadosamente seleccionados, representa un recipiente de basura con ruedas marcado con una X.

# **ITALIANO**

*Si prega di leggere il manuale di istruzioni prima di installare e utilizzare l'apparecchio. Conservare per riferimenti futuri.*

## **INTRODUZIONE**

Questo è un dispositivo di raffreddamento domestico della birra dotato di un sistema di pressione con cartuccia di CO<sub>2</sub> per mantenere la birra fresca. L'apparecchio porta la birra alla temperatura ottimale per la conservazione (da 0 a 4°C) entro 19-21 ore.

Il dispositivo di raffreddamento della birra manterrà il fusto da 5L fresco per un periodo quasi indefinito. Tuttavia, è consigliabile mettere il fusto di birra per almeno 12 ore in frigorifero prima di inserirlo nell'apparecchio.

## **ISTRUZIONI IMPORTANTI SULLA SICUREZZA**

In questo manuale sono riportati molti messaggi importanti per la sicurezza. Prima dell'uso, si prega di leggere e rispettare tutte le norme di sicurezza e le istruzioni per l'uso. Conservare il manuale di istruzioni in un luogo sicuro per riferimenti futuri.

### **Istruzioni sulla sicurezza**

- Prima di usare l'apparecchio, controllare se il cavo di alimentazione sia ben collegato o meno; in caso contrario, si prega di non usarlo, e chiamare centro servizi;
- Se il cavo di alimentazione è danneggiato, deve essere sostituito dal costruttore o dal suo rappresentante o da una persona qualificata al fine di evitare rischi.
- Prima di usare l'apparecchio, controllare se la spina è conforme con la presa o no; in caso contrario, si prega di non usarlo, e chiamare centro di assistenza;
- Non collegare o scollegare la spina con le mani bagnate.
- Disporre il dispositivo di raffreddamento della birra su una superficie asciutta e orizzontale.

- Per assicurare un'adeguata ventilazione per il raffreddamento della birra, assicurarsi che l'apparecchio sia almeno a 5 pollici/10 cm di distanza su entrambi i lati in modo da consentire una corretta ventilazione.
- Non mettere mai il dispositivo di raffreddamento della birra sotto la luce del sole.
- Non coprire mai con qualsiasi altro oggetto il dispositivo di raffreddamento della birra quando è in funzione.
- L'apparecchio deve essere installato in una zona protetta dagli agenti atmosferici, come vento, pioggia, acqua nebulizzata o gocce d'acqua.
- Prima di procedere con la pulizia e le operazioni di manutenzione, assicurarsi che la spina di alimentazione sia scollegata. In caso contrario, può provocare scosse elettriche o, in alcuni casi, la morte.
- Non immergere l'apparecchio o la spina di alimentazione in acqua o altri liquidi.
- Non usare panni ruvidi o materiali abrasivi per pulire l'apparecchio
- Non rimuovere il fusto di birra dall'apparecchio se il fusto non è completamente vuoto.
- Non estrarre la cartuccia di CO<sub>2</sub> prima che tutta la CO<sub>2</sub> all'interno sia terminata.
- Non usare la cartuccia di CO<sub>2</sub> se la temperatura ambiente è superiore a 49°C/120°F. In caso contrario, può provocare esplosioni o la morte.
- Non permettere mai ai bambini di utilizzare, giocare o gattonare all'interno del dispositivo.
- Questo dispositivo non è destinato all'uso da parte di persone con ridotta capacità sul piano fisico, mentale o sensoriale o mancanza di esperienza e di conoscenza (compresi i bambini), a meno che non li ha è stato chiesto di monitorare o se hanno avuto istruzioni per l'uso dell'apparecchio da una persona responsabile della loro sicurezza. I bambini devono essere sorvegliati per assicurarsi che non giochino con l'apparecchio.
- Se il cavo di alimentazione è danneggiato, deve essere sostituito con un servizio post-vendita per evitare ogni pericolo.



## COME SCEGLIERE I FUSTI DI BIRRA

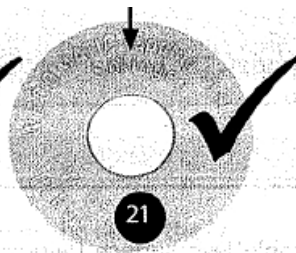
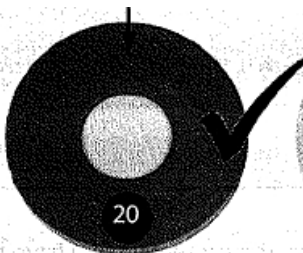
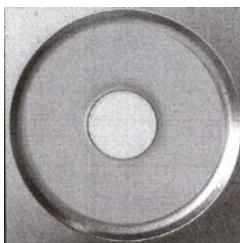
- Questo apparecchio funziona solo con fusti di birra universali o Heineken da 5 litri.
- Prestare particolare attenzione ai messaggi di sicurezza e di stoccaggio dei fusti.
- Prima di acquistare il fusto, controllare che non sia danneggiato e che la birra non sia scaduta.
- Proteggere la superficie superiore da eventuali danni. In caso contrario, potrebbe diventare difficile l'adesione al tubo di aspirazione.
- Tenere il fusto in un luogo piuttosto freddo per 12 ore, ma non troppo freddo (ad esempio il frigorifero) fino al prossimo utilizzo.
- Non scuotere il fusto prima dell'uso.
- Non mettere mai il fusto di birra sotto la luce del sole.



## SIGILLANTE PER FUSTI

I sigillanti sotto menzionati possono essere applicati a tutti i fusti di birra da 5 litri a patto che si seguano tutte le istruzioni presenti in questo manuale:

\* I sigillanti con il codice n° 20 e 21 possono essere trafitti semplicemente dal perno di perforazione dell'apparecchio.



\* Per i sigillanti con il codice n° 22 si deve rimuovere l'anello di marcatura dal sigillante e poi perforare il fusto con il perno. (Come

mostrato in figura 1)



\* La differenza tra i sigillanti con codice n° 23 e 24 è la quantità di chiusure di sicurezza. Sollevare la chiusura di sicurezza con attenzione, girarla ed estrarla dal fusto; sostituire il sigillante (come per i sigillanti con codice n° 2) previsto con l'apparecchio, collegarlo al fusto di birra, e forare facendo perno con l'apparecchio (come mostrato in figura 1).



Figura 1

(Importante: Prima di sostituire i sigillanti o il kit perforante dell'apparecchio, è sempre necessario seguire le istruzioni riportate sul fusto per eliminare l'eccesso di gas e assicurare che il fusto abbia riposato abbastanza a lungo per evitare la schiuma che esce attraverso il perno o il rubinetto. Se si utilizzano fusti Heineken non è necessario rilasciare il gas e sostituire la guarnizione in gomma, poiché i fusti Heineken hanno già la loro CO2 pressata all'interno, e non c'è bisogno che venga fornita una CO2 esterna.

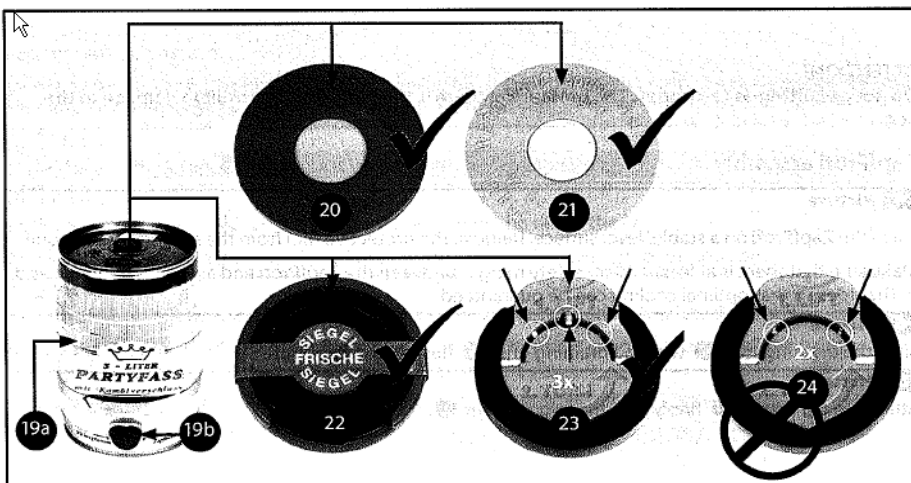


Figura 2



Figura 3

## SPECIFICHE TECNICHE

ART.	Descrizione	Specifiche
1	Voltaggio	AC 220-240V/50Hz
2	capacità disponibile	Fusto da 5 litri
3	potenza di funzionamento nominale	65W
4	prestazioni di raffreddamento	2~12°C regolabile (temperatura stanza 22~24°C)
5	Livello di rumore	≤38dB(A); (ambient noise ≤25dB(A))

6	Dimensioni	W272*D480*H470mm
7	Peso netto	6.4±0.3Kg
8	pressione l'unità di CO2	√
9	aspetto in acciaio inox	√
10	sistema di radiatori in alluminio	√
11	tecnologia di raffreddamento dei semiconduttori	√
12	Sistema di raffreddamento di conduzione acqua	√
13	funzione di visualizzazione a LED	√
14	drenaggio manuale	√
15	vasca di raccolta acqua rimovibile	√
16	Temperatura regolabile	√
17	sistema di conservazione della temperatura	PU isolamento / Peso 310±5g
18	tipo di clima	N/SN

## PARTI E CARATTERISTICHE

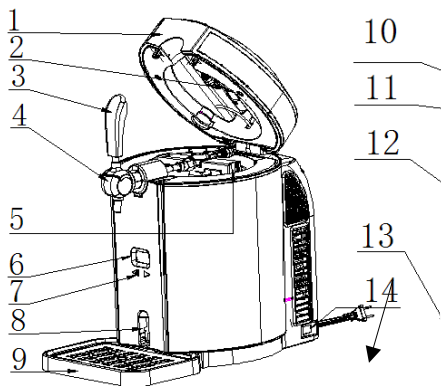


Figura 4

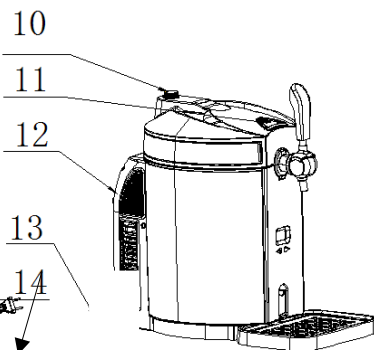


Figura 5

- |                                |   |
|--------------------------------|---|
| 1. Coperchio superiore         | 8. Interruttore drenaggio               |
| 2. supporto CO2                | 9. Vassoio di raccolta                  |
| 3. Maniglia spillatrice        | 10. valvola di pressione e rilascio CO2 |
| 4. Spillatrice                 | 11. Tasto di chiusura sportello         |
| 5. Sollevatore fusto           | 12. Coperchio posteriore                |
| 6. Schermo a led               | 13. Cavo di alimentazione e spina       |
| 7. Tasti di controllo digitale | 14. Interruttore AC                     |

## INSTALLAZIONE E OPERAZIONI

### A. INSTALLAZIONE

1. Estrarre l'apparecchio dalla confezione e posizionarlo su una superficie stabile e orizzontale, e assicurarsi che abbia almeno 5 pollici/10 cm di distanza da altri apparecchi o dalla parete su ogni lato in modo da consentire una corretta ventilazione e ottenere prestazioni migliori.

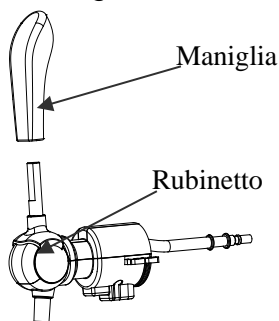


Figura 6

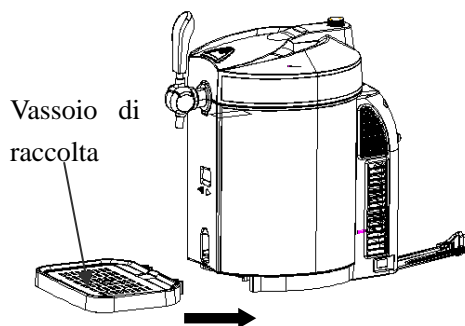


Figura 7

2. Installare la maniglia sul rubinetto e assicurarsi che si adatti perfettamente. (Come mostrato in figura 6)
3. Impostare la vaschetta di raccolta nell'apposita fessura. (Come mostrato in figura 7)

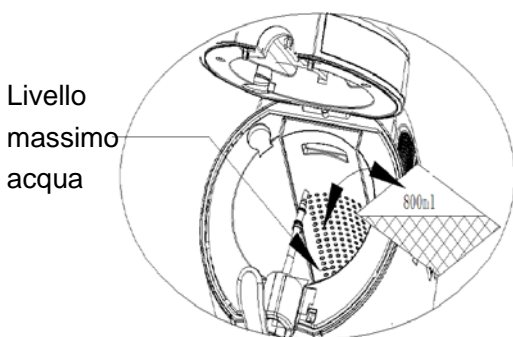
4. Attaccare la spina.

Nota: Non collegare o scollegare la spina elettrica con le mani bagnate. Prima di utilizzare l'apparecchio, assicurarsi che la tensione elettrica sia conforme con la targhetta della spina. Verificare se il cavo di alimentazione sia ben collegato o meno; in caso contrario, si prega di non usarlo e chiamare il centro di assistenza.

5. Mettere 800 ml d'acqua nella cavità di raffreddamento o versare l'acqua fino al segno *max* (come mostrato in figura 8). (Può funzionare anche senza acqua ma non con le migliori prestazioni)

Nota: Assicurarsi che l'interruttore di scarico sia in posizione "Off" e che non ci sia nessun oggetto nella cavità di raffreddamento.

Figura 8



Assicurarsi che il drenaggio sia su "OFF".

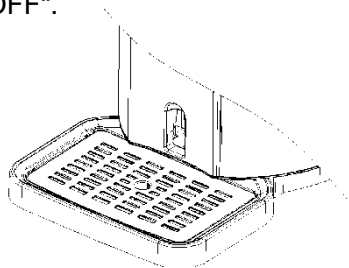


Figure 10

## B. OPERAZIONI

### Fusto universale da 5 litri

1. Prima di forare il tappo sulla parte superiore del fusto, è sempre necessario seguire le istruzioni riportate sul fusto per eliminare l'eccesso di gas e assicurarsi che il fusto abbia riposato abbastanza

a lungo per evitare che la schiuma fuoriesca dal rubinetto.

2. Inserire verticalmente il perno contro il sigillante nella parte centrale e superiore del fusto (a volte si avrà bisogno di staccare l'anello di marcatura o di cambiare il sigillante), premere il perno/sollevatore del fusto per conficcare il sigillante e quindi spingere il perno e immergere nel fusto velocemente. Quando si assembla correttamente il meccanismo del rubinetto si sente uno scatto che indicherà il corretto assemblaggio. (Come mostrato in figura 10)

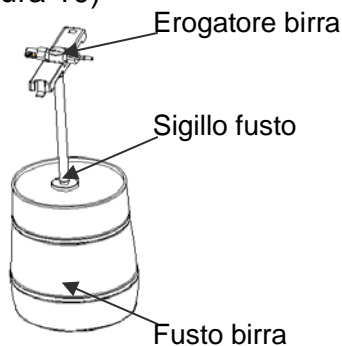


Figura 10

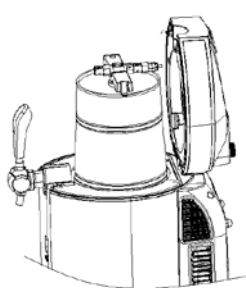


Figura 11

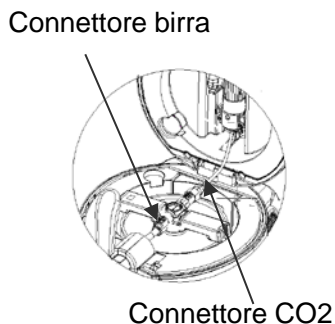


Figura 12

3. Aprire il dispositivo di raffreddamento della birra con forza 60-80N e posizionare il fusto ben assemblato nella cavità di raffreddamento. Collegare il tubo connettore di CO2 e il tubo di scarico della birra con il connettore del tubo del solleva fusto.

NOTE: Assicurarsi che tutte le connessioni del meccanismo del rubinetto siano ben collegate e senza danni. Assicurarsi che la valvola del rubinetto sia chiusa e la manopola di regolazione della pressione di CO2 sia su "Off".

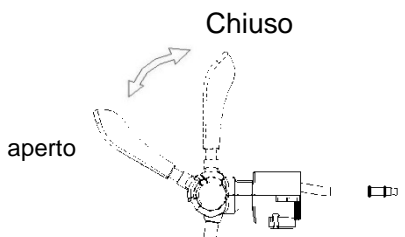


Figura 13

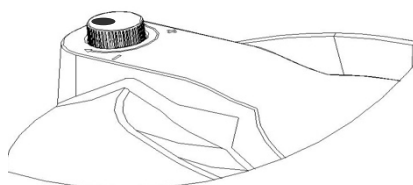


Figura 14

Allentare la guaina della bombola di CO2 (come mostrato in figura 15), inserire una cartuccia da 16 g di CO2 nella guaina (Figura 16), e avvitare la guaina stretta fino a quando si sente un "click" (Figura 17), che indica che la tenuta della cartuccia è stata bucata e che il gas CO2 può fluire nel fusto liberamente. Assicurarsi che la guaina della bombola sia fissata saldamente al fine di evitare la fuoriuscita di CO2. Dopodiché, mettere la guaina della bombola di CO2 nel coperchio superiore.

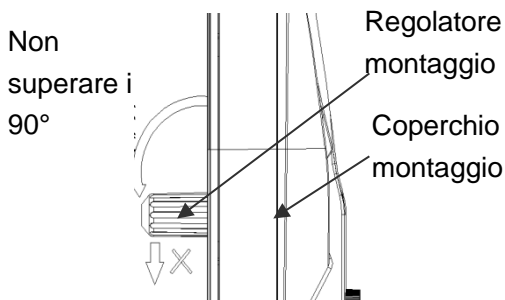


Figura 15

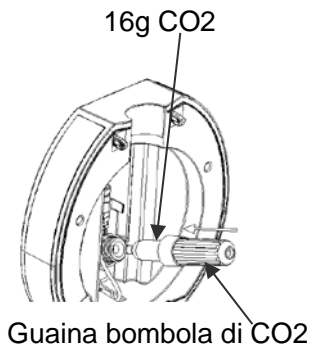


Figura 16

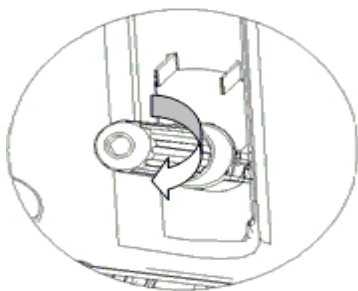


Figura 17

**Notice:**  
 \*Turn off the CO2 knob when cooling the beer  
 \*Turn off the CO2 knob when the beer flow is paused  
 \*Turn off the CO2 knob when changing the CO2 cartridge  
 \*When the beer cannot be tapped out (there is still beer in keg), or beer foams are not enough, turn the knob to "+" position for 5 seconds, then turn off it again.

Figura 18

5. Chiudere il coperchio superiore dell'apparecchio. Quando si versa la birra, ruotare la manopola sul coperchio superiore in posizione "+" per rilasciare la CO2, e girarla su "-" quando si sospende o si interrompe di versare la birra per chiudere la CO2. Si prega di fare riferimento all'avvertenza posta sull'etichetta del coperchio superiore.



6. Per accendere l'apparecchio basta impostare l'interruttore di alimentazione in posizione "I". (Mentre in posizione "0" per spegnerlo).

**NOTE:** Per evitare scosse elettriche, quando si utilizza l'apparecchio, si prega di assicurarsi che le mani siano asciutte.

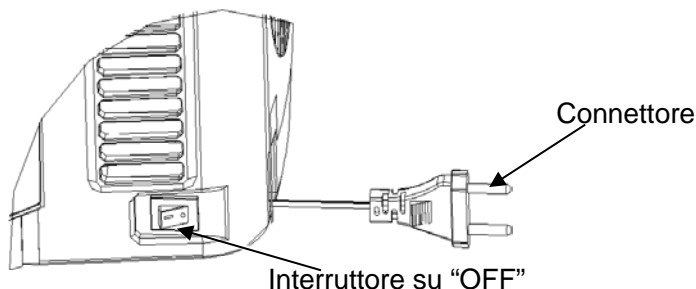


Figure 19

7. Ci vorranno 19-21 ore per il raffreddamento della birra a 2-4°C, quando la temperatura ambiente è di 22-24°C. Successivamente, l'apparecchio manterrà la temperatura impostata e visualizzata sullo schermo. Tuttavia, inizialmente, suggeriamo di far raffreddare il fusto di birra per almeno 12 ore in frigorifero prima di inserirlo nell'apparecchio, in particolare quando la temperatura ambiente è superiore a 25°C.

8. È possibile impostare la temperatura a seconda del vostro gusto personale, premendo i pulsanti sul pannello frontale. La temperatura può essere impostata da 36°F a 54°C (2°C a 12°C), utilizzando il pulsante di regolazione della temperatura (+ e -) che si trova sul lato dello schermo della temperatura.

Il PCB è dotato di memoria, quando si accende il dispositivo di raffreddamento, si ricorda la temperatura impostata l'ultima volta.

Sul display verrà visualizzata la temperatura reale della birra. Per vedere la temperatura impostata, basta premere il tasto "+" per 1 secondo. 3 secondi più tardi, sul display verrà visualizzata nuovamente la temperatura reale.

## Temperatura preimpostata

Il dispositivo di raffreddamento della birra ha 6 temperature preimpostate.

Premere e tenere premuto il pulsante "-" per accedere alle 6 temperature preimpostate, allora si può premere il tasto "-" per scegliere una certa temperatura preimpostata, 40°F (4°C), 46°F (8°C), 48°F (9°C), 50°F (10°C), 52°F (11°C) e 54°F (12°C).

Premendo e tenendo premuto il pulsante "+", l'apparecchio convertirà i gradi Fahrenheit (°F) in Celsius (°C).

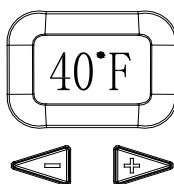


Figura 20

9. Regolare la manopola del regolatore di pressione CO2 in posizione "+", per versare la birra tirando verso il basso il meccanismo del rubinetto a circa 45°. È possibile regolare la manopola del regolatore di pressione per controllare la portata di birra e le bolle (Figura 13).

Nota: Pulire il bicchiere prima di versare la birra; se la birra o il bicchiere in cui si verserà ha una temperatura elevata o se la birra non è abbastanza fresca, ci saranno molte bolle.

10. Quando si spilla la birra, appoggiare il bicchiere contro il beccuccio e lentamente raddrizzare con l'avanzare della birra, quindi aprire completamente il meccanismo di rubinetto per evitare molte bolle. Si consiglia di versare mezzo bicchiere, fare una breve pausa e poi continuare a versare.

**NOTE:** Non immergere il beccuccio nel bicchiere di birra per evitare molte bolle. Ricordarsi di chiudere il rubinetto dopo aver terminato di versare la birra.

11. È normale che ci siano più bolle quando si versano i primi 3 bicchieri.

12. Ci sarà un getto acuto e ad alta velocità quando si versa l'ultimo bicchiere di birra dal fusto.

Regolare la manopola di regolazione della pressione di CO2 in posizione "-" per chiudere e risparmiare l'erogazione di CO2.

### **C. Fusti Heineken**

I fusti Heineken sono già carichi di CO2, e non richiedono l'uso del regolatore e non è necessario installare la cartuccia di CO2. Inoltre, la manopola sul coperchio superiore non funziona.

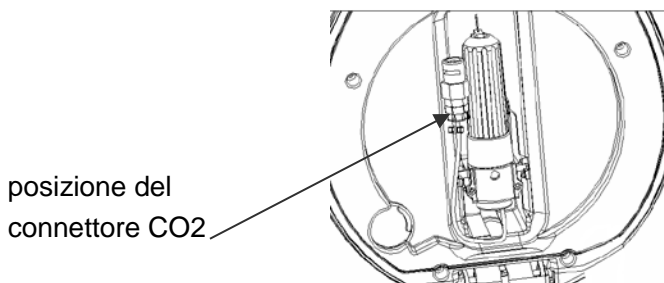


Figura 21

1. Il connettore Heineken fornito con il dispositivo di raffreddamento della birra può lavorare con tutti i fusti Heineken da 5 litri. Tuttavia, è necessario utilizzare un cacciavite a testa piatta per rimuovere la base verde dal fusto per installare il nuovo connettore, fornito con l'apparecchio.

2. Quando si installa il nuovo connettore al fusto Heineken, prima di tutto, è necessario installare il tubo di birra con un'estremità al connettore e l'altra al meccanismo del rubinetto, quindi installare il connettore al fusto Heineken.

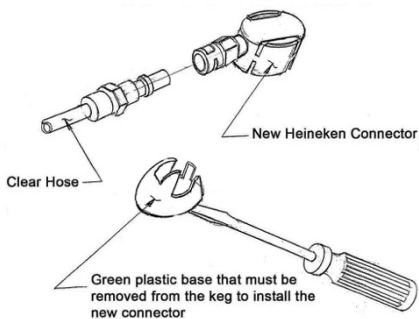


Figura 22

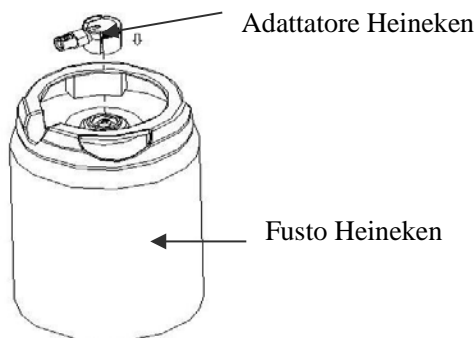


Figura 23

Nota: Si prega di togliere l'adattatore Heineken premendolo seguendo l'indicazione delle frecce, altrimenti potrebbe danneggiare il dispositivo di fissaggio.

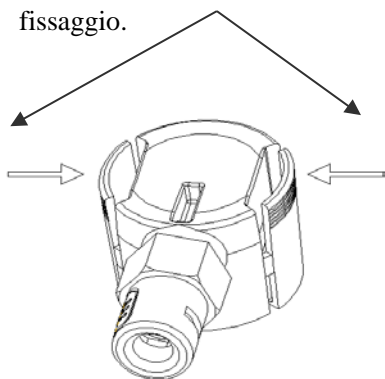


Figura 24

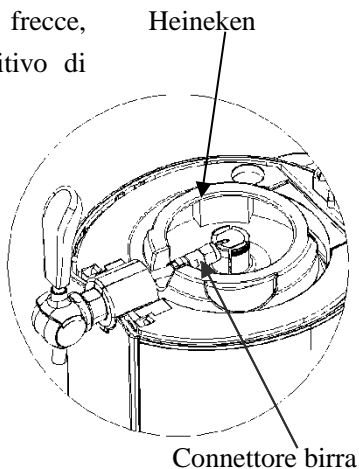


Figura 25

3. Chiudere il coperchio superiore; operare come riportato sopra da passo 6 a12, come se fosse un fusto universale da 5 litri, solo che il passo 9 è un'eccezione.

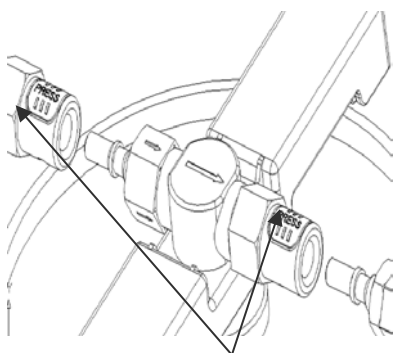
#### **D. COME CARICARE UN NUOVO FUSTO** (fusto universale da 5 L)

Quando la birra nel fusto si esaurisce, prima di cambiare un nuovo fusto di birra è opportuno:

1. Regolare la manopola di regolazione della pressione CO2 su "-" per spegnere il flusso di CO2 risparmiando la cartuccia gas.

2. Aprire il coperchio superiore del dispositivo di raffreddamento della birra, tirare verso il basso la maniglia del rubinetto per rilasciare il gas residuo nel fusto (probabilmente con un po' di schiuma).
3. Quindi mettere il perno di foratura nel nuovo fusto e inserire nell'apparecchio. Collegare il tubo del gas e il tubo della birra dal sollevatore del fusto, premendo le parti bianche.
4. Scollegare il tubo del gas e il tubo della birra dal sollevatore del fusto.
5. Estrarre il fusto dal sollevatore fusto ed estrarre il perno dal fusto.
6. Si consiglia di pulire il meccanismo del rubinetto ogni volta che si cambia il fusto di birra. Si prega di fare riferimento ai contenuti sulla pulizia riportati sotto.

Quando si estrae la chiusura dell'erogatore di birra, è possibile muoverlo seguendo la direzione della freccia.



Quando si rimuove il connettore della birra e CO2, si prega di premere il pulsante bianco giù

Figura 26

È necessario estrarre il dispositivo di fissaggio prima a destra, poi a sinistra come indicato dalla freccia. Infine, è possibile estrarre il gruppo erogatore.

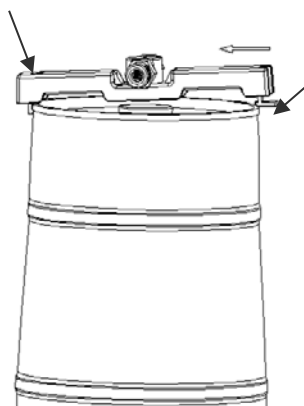


Figura 27

## **E. COME CARICARE UNA NUOVA CARTUCCIA DI CO<sub>2</sub>** (Non necessaria per fusti Heineken)

Si prega di cambiare la cartuccia di CO<sub>2</sub>, se non è possibile versare la birra quando la manopola di pressione di CO<sub>2</sub> è in posizione "on" e c'è ancora birra nel fusto.

1. Ruotare la manopola di pressione della CO<sub>2</sub> in posizione "-" per interrompere il flusso di CO<sub>2</sub>.

2. Aprire il coperchio superiore, perdere la guaina della cartuccia, ed estrarre la cartuccia di CO<sub>2</sub> vuota.

Inserire una nuova cartuccia di CO<sub>2</sub> da 16g nel supporto e avvitare la guaina stretta fino a quando si sente un "click", che indica che il sigillo della cartuccia è stato perforato e il gas CO<sub>2</sub> può fluire liberamente nel fusto. Assicurarsi che la guaina della bombola sia fissata saldamente al fine di evitare la fuoriuscita di CO<sub>2</sub>. Dopodiché, mettere la guaina della bombola di CO<sub>2</sub> nel coperchio superiore.

3. Chiudere il coperchio superiore dell'apparecchio.

4. Ruotare la manopola di pressione di CO<sub>2</sub> in posizione "+" per attivare il flusso di CO<sub>2</sub>; a questo punto l'apparecchio è pronto per versare la birra.

Promemoria: ogni cartuccia di CO<sub>2</sub> da 16 g può essere utilizzata per stillare più di 5L birra.

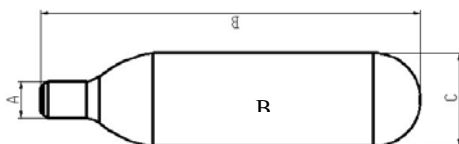
### **Avvertenza:**

1. Si prega di utilizzare cartucce di CO<sub>2</sub> adeguate; non giocare con le cartucce poiché potrebbe causare pericoli.

Sotto, sono riportate le informazioni necessarie per conoscere il tipo di cartuccia di CO<sub>2</sub> da utilizzare. Non utilizzare mai cartucce di azoto con questo apparecchio per evitare esplosioni a causa della sua pressione molto più elevata di quanto dovrebbe essere.

1. Le nuove cartucce di CO<sub>2</sub> hanno bisogno di essere conservate con cautela; giocarci con esse è vietato poiché potrebbe procurare rischi.

## Cartuccia di CO2 da 16 g



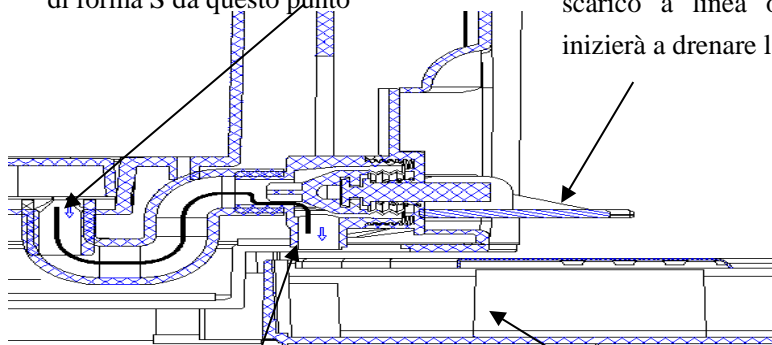
NW g	Volume ml	GW g	Peso cartuccia g	A mm	B mm	C mm	D m m	Pressione Kgf/cm <sup>2</sup>	Pressione getto bar
15.5	20	57.0	42.0	Ø8.6	88.0	Ø21.7	10	60	450
16.5		58.6	42.6	Ø8.9	89.0	Ø22.0	11		

## F. COME SOSTITUIRE L'ACQUA ALL'INTERNO DELLA CAVITÀ DI RAFFREDDAMENTO

Si consiglia di sostituire l'acqua all'interno della cavità una volta alla settimana. (Non è necessario sostituire l'acqua per ogni fusto di birra, è consigliabile una volta alla settimana)

Aprire l'interruttore di scarico, il flusso di acqua nel tubo di scarico di forma S da questo punto

Spostare l'interruttore di scarico a linea orizzontale, inizierà a drenare l'acqua



Il flusso di acqua nella vaschetta di raccolta da questo punto punto

Vaschetta di raccolta

Figura 28 (quadro illustrativo del circuito di scarico)

1. Aprire l'interruttore di scarico per drenare l'acqua dalla cavità della vaschetta di raccolta. Assicurarsi che la vaschetta di raccolta sia inserita correttamente nella fessura per evitare che il flusso dell'acqua vada sul tavolo. La vaschetta di raccolta è in grado di raccogliere 450 ml d'acqua.

2. Dopo che tutta l'acqua è defluita, chiudere l'interruttore di scarico e mettere 800 ml di acqua fresca nella cavità.

3. Aprire l'interruttore di scarico (trascinare l'interruttore in avanti con un angolo di 90 gradi), e drenare l'acqua all'interno della cavità nella vaschetta di raccolta. Sarà necessario drenare l'acqua due volte.

**Avvertenza:** 1) È necessaria dell'acqua pulita;

2) Assicurarsi che la vaschetta di raccolta sia inserita correttamente nella fessura per evitare che il flusso dell'acqua vada sul tavolo.

3) La vaschetta di raccolta è in grado di raccogliere 450ml d'acqua.

## **MECCANISMO DI PULIZIA DEL RUBINETTO**

Questo apparecchio è conforme alle regole di igiene, è necessario quindi pulirlo prima di utilizzarlo per la prima volta e dopo un lungo periodo di inattività, pulire tutta la macchina con un panno asciutto. In caso contrario, eseguire le operazioni di pulizia nel seguente modo:

1. Caricare dell'acqua calda nel kit di pulizia.

2. Collegare l'estremità del perno perforante, far scorrere l'acqua nel perno per pulire il tubo del perno, e spingere l'acqua fuori dal tubo della birra all'estremità opposta. Ripetere queste operazioni di pulizia fino a quando il tubo della birra sarà pulito (saranno necessarie almeno 3 bottiglie di acqua calda), si prega di pulire il meccanismo del rubinetto della birra come mostrato in figura 30. Nota: Si prega di smontare il rubinetto quando si effettuano le operazioni di pulizia. (Come mostrato in figura 29)



Connettore birra deve collegarsi con l'unità di erogazione

unità di dosaggio

Si prega di aprire il rubinetto quando si pulisce il tubo della birra

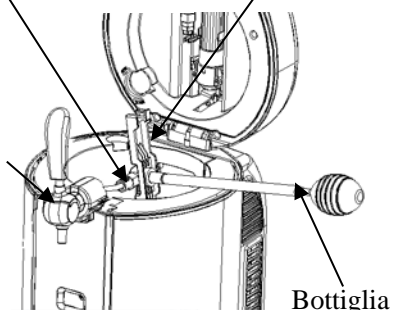


Figura 29

Bottiglia di pulizia

Questo connettore deve collegarsi con la bottiglia di pulizia

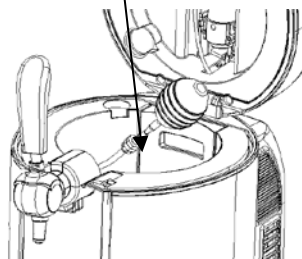


Figura 30

## Avvertenza:

Non mettere mai le parti del meccanismo del rubinetto in lavatrice o in lavastoviglie;

Non usare mai detergenti chimici per la pulizia delle parti, si consiglia di utilizzare acqua calda o purificata.

## COME CAMBIARE PEZZI DI RICAMBIO

### ACCESSORI INCLUSI CON L'APPARECCHIO

Art.	Nome	Qtà.	Installazione	Figura	Pezzi di ricambio
1	guarnizione connettore	6	valvola di regolazione		5pz
2	connettore CO2	2	valvola di regolazione		1pz
3	tubo della birra	2	connettore uscita birra		1pz
4	cerchio di sigillo del tubo	4	tubo della birra in entrata		3pz

5	sigillo fusto	2	fusto standard		2pz
6	adattatore Heineken	3	Fusto Heineken		1set
7	cartuccia di CO2	3	gruppo valvola regolatrice		3pz
8	bottiglia di pulizia	1			1pz

## A. Sostituire il connettore CO2 e la rondella di tenuta

Il connettore di CO2 e la rondella di tenuta si possono danneggiare quando si utilizzano in modo errato o per altri motivi diversi da quelli previsti, in tal caso, si prega di sostituirli con dei nuovi.

1. Prima di tutto, scegliere la rondella di tenuta con un bastone di metallo molto piccolo (come mostrato in figura 31) ed estrarre il connettore CO2 (se si deve sostituire solo la rondella di tenuta, questa operazione può essere tralasciata). Fare attenzione a non danneggiare le altre parti del regolatore.

2. Installare un nuovo connettore di CO2 nel regolatore (lasciare la punta verso l'esterno) e installare la rondella di tenuta (come mostrato in figura 32). Durante la sostituzione, non rimuovere le altre parti del regolatore.

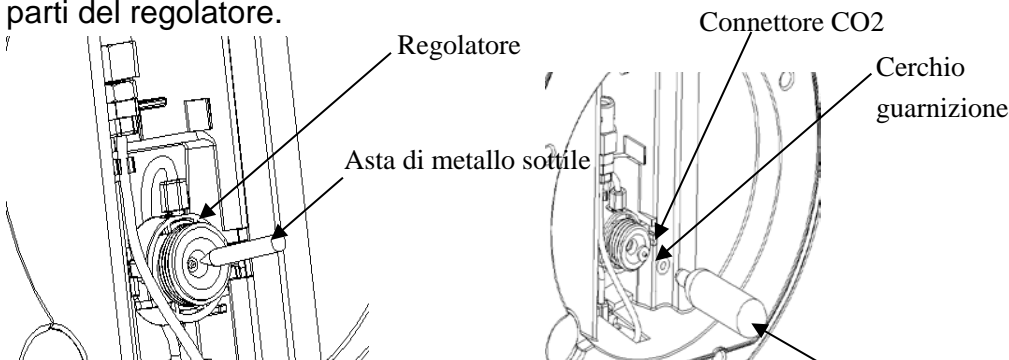


Figura 31

Figura 32

**Avvertenza:** Ricordarsi premere il cerchio sigillo con cartuccia vuota invece di una nuova cartuccia, o causerà pericolo.

## **B. PER CAMBIARE IL TUBO DELLA BIRRA (come visualizzato in figura 33)**

Si prega di sostituire il tubo della birra nel caso sia danneggiato e ci sia una perdita.

1. Abbassare il bloccaggio del tubo della birra ed estrarre il tubo.
2. Svitare il dado giunto del tubo ed estrarlo.
3. Sostituire con un nuovo tubo e installarlo eseguendo le operazioni al contrario.

NOTA: Non toccare le altre viti durante la sostituzione del tubo, in caso contrario si potrebbe causare delle perdite di birra o gas.

1) Girare il rubinetto per lo stato di rilascio, e quindi aprire il coperchio per eliminare tubo di silicone.

2) Sostituire un nuovo tubo di birra in silicone, e installarlo secondo con procedura inversa.

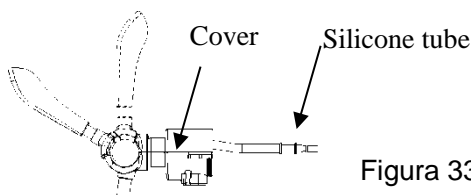


Figura 33 [cover=coperchio] [tubo di silicone]

## **C. Sostituire il cerchio di tenuta del tubo della birra (come mostrato in figura 34)**

Se il connettore presenta perdite, sostituire il cerchio di tenuta del tubo della birra con uno nuovo.

1. Ruotare il tubo della birra come indicato nella figura sotto
2. Estrarre il cerchio di tenuta del tubo della birra
3. Sostituire il cerchio con uno nuovo nella stessa posizione
4. Ruotare il cerchio di tenuta strettamente per evitare perdite

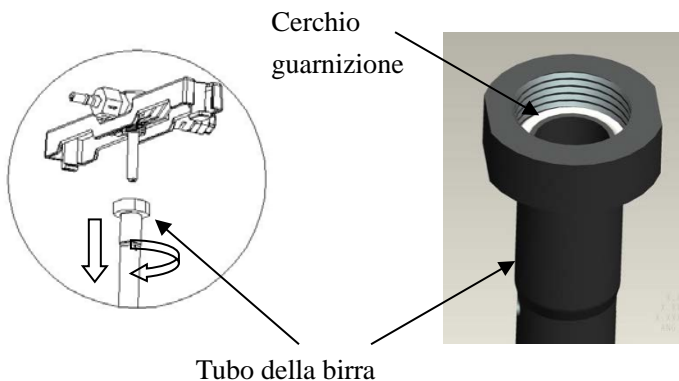


Figura 34

## MANUTENZIONE

Se l'apparecchio non funziona correttamente, si prega di chiamare il centro di assistenza;

Per risparmiare tempo e denaro, prima di rivolgersi all'assistenza tecnica, controllare la sezione "Risoluzione dei problemi" qui sotto poiché sono indicate le possibili cause e i problemi di funzionamento minori che possono essere riparate anche dall'utente.

### Risoluzione dei problemi

Problema	Causa	Risoluzione dei problemi
Il rubinetto non funziona/non si riesce a versare la birra	<ol style="list-style-type: none"> <li>1. Il tubo di colata è collegato scorrettamente o il flusso di CO2 è spento;</li> <li>2. Nessun fusto o niente birra nel fusto;</li> <li>3. Non c'è gas nella cartuccia di CO2;</li> <li>4. La manopola di regolazione della pressione di CO2 è chiusa.</li> </ol>	<ol style="list-style-type: none"> <li>1. Collegare bene il tubo di colata e accendere il flusso di CO2</li> <li>2. Inserire un nuovo fusto</li> <li>3. Inserire una nuova cartuccia di CO2</li> <li>4. Ruotare la manopola del regolatore di pressione di CO2 in posizione "+"</li> </ol>

Troppe bolle	<ol style="list-style-type: none"> <li>1. Si sta spillando la birra in modo errato;</li> <li>2. La temperatura della birra è alta (meglio a 3-5°C)</li> <li>3. Il fusto è stato agitato prima dell'uso;</li> <li>4. Nel fusto è rimasta pochissima birra;</li> <li>5. C'è troppa pressione nel fusto.</li> </ol>	<ol style="list-style-type: none"> <li>1. Spillare la birra in modo corretto;</li> <li>2. Lasciar raffreddare la birra fino a raggiungere 3-5°C;</li> <li>3. Togliere il fusto dall'apparecchio e farlo riposare un po' fino a quando non ci sarà più schiuma;</li> <li>4. Inserire un nuovo fusto</li> <li>5. Regolare la manopola della pressione di direzione "-" per diminuire la pressione o chiudere la manopola.</li> </ol>
La birra scorre troppo lentamente	<ol style="list-style-type: none"> <li>1. La pressione interna di CO2 non è sufficientemente alta;</li> <li>2. Il tubo di collegamento o il tubo di colata hanno perdite.</li> </ol>	<ol style="list-style-type: none"> <li>1. Regolare la manopola della pressione per rilasciare più pressione CO2 o sostituire la cartuccia.</li> <li>2. Controllare se il tubo presenta perdite o meno, in caso affermativo, sostituire il tubo.</li> </ol>



## AMBIANTE

### ATTENZIONE :

Non gettare quest' apparecchio tra i rifiuti domestici. Per questo tipo di prodotti è fornito dai comuni un sistema di raccolta e ritiro in zona ed è quindi un dovere informarsi per conoscere il giusto smistamento del rifiuto. Infatti, i prodotti elettrici ed elettronici possono contenere sostanze pericolose che hanno effetti dannosi sull'ambiente o sulla nostra salute e quindi devono essere riciclati. Il simbolo al lato indica che le apparecchiature elettriche ed elettroniche fanno parte di una raccolta selettiva e differenziata (rappresentata da un bidone su due ruote sbarrato da una croce).