



Instructions manual
Manuel d'utilisation
Bedienungsanleitung
Handboek
Manual de Utilización
Manuale d'uso



VIO34

**CONVECTION MICROWAVE OVEN
FOUR MICRO-ONDE À CONVECTION
MIKROWELLENOFEN MIT KONVEKTION
CONVECTIE MAGNETRON OVEN
HORNO DE MICROONDAS CON CONVECCION
FORNO A MICROONDE A CONVENZIONE**



ENGLISH

Please read these instructions carefully before installing and operating the oven.

When using electrical appliance basic safety precautions should be followed, including the following. **WARNING:** To reduce the risk of burns, electric shock, fire, injury to persons or exposure to excessive microwave energy:

1. Read all instructions before using the appliance.
2. Use this appliance only for its intended use as described in this manual. Do not use corrosive chemicals or vapors in this appliance. This type of oven is specifically designed to heat, cook or dry food. It is not designed for industrial or laboratory use.
3. Do not operate the oven when empty.
4. Do not operate this appliance if it has a damaged cord or plug, if it is not working properly or if it has been damaged or dropped. If the supply cord is damaged, it must be replaced by the manufacturer or its service agent or a similarly qualified person in order to avoid a hazard.
5. **WARNING:** Only allow children to use the oven without supervision when adequate instructions have been given so that the child is able to use the oven in a safe way and understands the hazards of improper use.
6. **WARNING:** It is hazardous for anyone other than a trained person to carry out any service or repair operation which involves the removal of any cover which gives protection against exposure to microwave energy.
7. To reduce the risk of fire in the oven cavity:
 - a. When heating food in plastic or paper container, keep an eye on the oven due to the possibility of ignition.
 - b. Remove wire twist-ties from paper or plastic bags before placing bag in oven.
 - c. If smoke is observed, switch off or unplug the appliance and keep the door closed in order to stifle any flames.
 - d. Do not use the cavity for storage purposes. Do not leave paper products, cooking utensils or food in the cavity when not in use.
8. **WARNING:** Liquid or other food must not be heated in sealed

containers since they are liable to explode.

9. Microwave heating of beverage can result in delayed eruptive boiling, therefore care has to be taken when handling the container.
10. Do not fry food in the oven. Hot oil can damage oven parts and utensils and even result in skin burns.
11. Eggs in their shell and whole hard-boiled eggs should not be heated in microwave ovens since they may explode even after microwave heating has ended.
12. Pierce foods with heavy skins such as potatoes, whole squashes, apples and chestnuts before cooking.
13. The contents of feeding bottles and baby jars should be stirred or shaken and the temperature should be checked before serving in order to avoid burns.
14. Cooking utensils may become hot because of heat transferred from the heated food. Potholders may be needed to handle the utensil.
15. Utensils should be checked to ensure that they are suitable for use in microwave oven.
16. **WARNING:** It is hazardous for anyone other than a trained person to carry out any service or repair operation which involves the removal of any cover which gives protection against exposure to microwave energy.
17. This product is a Group 2 Class B ISM equipment. The definition of Group 2 which contains all ISM (Industrial, Scientific and Medical) equipment in which radio-frequency energy is intentionally generated and/or used in the form of electromagnetic radiation for the treatment of material, and spark erosion equipment. For Class B equipment is equipment suitable for use in domestic establishments and in establishments directly connected to a low voltage power supply network which supplies buildings used for domestic purpose.
18. This appliance is not intended for use by persons (including children) with reduced physical, sensory or mental capabilities, or lack of experience and knowledge, unless they have been given supervision or instruction concerning use of the appliance by a person responsible for their safety.

19. Children should be supervised to ensure that they do not play with the appliance.
20. The microwave oven is only used in freestanding.
21. **WARNING:** Do not install oven over a range cook top or other heat-producing appliance. If installed could be damaged and the warranty would be avoid.
22. The accessible surface may be hot during operation.
23. The microwave oven shall not be placed in a cabinet.
24. The door or the outer surface may get hot when the appliance is operating.
25. The temperature of accessible surfaces may be high when the appliance is operating.
26. The appliance shall be placed against a wall.
27. Appliance is not to be used by children or persons with reduced physical, sensory or mental capabilities, or lack of experience and knowledge, unless they have been given supervision or instruction
28. Children being supervised not to play with appliance
29. **WARNING:** If the door or door seals are damaged, the oven must not be operated until it has been repaired by a competent person
30. The instructions shall state that appliances are not intended to be operated by means of an external timer or separate remote-control system.
31. The microwave oven is for household use only and not for commercial use.
32. Never remove the distance holder in the back or on the sides, as it ensures a minimum distance from the wall for air circulation.
33. Please secure the turn table before you move the appliance to avoid damages.
34. Caution: It is dangerous to repair or maintain the appliance by no other than a specialist because under these circumstances the cover have to be removed which assures protection against microwave radiation. This applies to changing the power cord or the lighting as well. Send the appliance in these cases to our service centre.
35. The microwave oven is intended for defrosting, cooking and steaming of food only.

36. Use gloves if you remove any heated food.
37. Caution! Steam will escape, when opening lids or wrapping foil.
38. This appliance can be used by children aged from 8 years and above and persons with reduced physical, sensory or mental capabilities or lack of experience and knowledge if they have been given supervision or instruction concerning use of the appliance in a safe way and understand the hazards involved. Children shall not play with the appliance. Cleaning and user maintenance shall not be made by children unless they are aged from 8 years and above and supervised.
39. If smoke is emitted, switch off or unplug the appliance and keep the door closed in order to stifle.

**PRECAUTIONS TO AVOID POSSIBLE EXPOSURE TO EXCESSIVE
MICROWAVE ENERGY**

40. Do not attempt to operate this oven with the door open since open door operation can result in harmful exposure to microwave energy. It is important not to defeat or tamper with the safety interlocks.
41. Do not place any object between the oven front face and the door or allow soil or cleaner residue to accumulate on sealing surfaces.
42. Do not operate the oven if it is damaged. It is particularly important that the oven door close properly and that there is no damage to the
 - e. Door (bent),
 - f. Hinges and latches (broken or loosened),
 - g. Door seals and sealing surfaces.
43. The oven should not be adjusted or repaired by anyone except properly qualified service personnel.

SPECIFICATIONS*

Power Consumption:	230~240V/50Hz, 1400W (Microwave)
	2050W (Convection)
	1250W (Grill)
Rated Microwave Power Output:	900W
Operation Frequency:	2450MHz
Outside Dimensions:	376mm(H)×498mm(W)×574mm(D)
Oven Cavity Dimensions:	238mm(H)×405mm(W)×351mm(D)
Oven Capacity:	34Litres
Cooking Uniformity:	Turntable System

BEFORE YOU CALL FOR SERVICE

If the oven fails to operate:

1. Check to ensure that the oven is plugged in securely. If it is not, remove the plug from the outlet, wait 10 seconds, and plug it in again securely.
 2. Check for a blown circuit fuse or a tripped main circuit breaker. If these seem to be operating properly, test the outlet with another appliance.
 3. Check to ensure that the control panel is programmed correctly and the timer is set.
 4. Check to ensure that the door is securely closed engaging the door safety lock system. Otherwise, the microwave energy will not flow into the oven.
- IF NONE OF THE ABOVE RECTIFIES THE SITUATION, THEN CONTACT A QUALIFIED TECHNICIAN. DO NOT TRY TO ADJUST OR REPAIR THE OVEN YOURSELF.

INSTALLATION

1. Make sure that all the packing materials are removed from the inside of the door.
2. **WARNING:** Check the oven for any damage, such as misaligned or bent door, damaged door seals and sealing surface, broken or loose door hinges and latches and dents inside the cavity or on the door. If there is any damage, do not operate the oven and contact qualified service personnel.
3. This microwave oven must be placed on a flat, stable surface to hold its weight and the heaviest food likely to be cooked in the oven.
4. Do not place the oven where heat, moisture, or high humidity are generated, or near combustible materials.
5. For correct operation, the oven must have sufficient airflow. Allow 20cm of space above the oven, 10cm at back and 5cm at both sides. Do not cover or block any openings on the appliance. Do not remove feet.
6. Do not operate the oven without glass tray, roller support, and shaft in their proper positions.
7. Make sure that the power supply cord is undamaged and does not run under the oven or over any hot or sharp surface.
8. The socket must be readily accessible so that it can be easily unplugged in an emergency.
9. Do not use the oven outdoors.

GROUNDING INSTRUCTIONS

This appliance must be grounded. This oven is equipped with a cord having a grounding wire with a grounding plug. It must be plugged into a wall receptacle that is properly installed and grounded. In the event of an electrical short circuit, grounding reduces risk of electric shock by providing an escape wire for the electric current. It is recommended that a separate circuit serving only the oven be provided. Using a high voltage is dangerous and may result

in a fire or other accident causing oven damage.

WARNING: Improper use of the grounding plug can result in a risk of electric shock.

NOTE:

1. If you have any questions about the grounding or electrical instructions, consult a qualified electrician or service person.
2. Neither the manufacturer nor the dealer can accept any liability for damage to the oven or personal injury resulting from failure to observe the electrical connection procedures.

The wires in this cable main are colored in accordance with the following code:

Green and Yellow = EARTH

Blue = NEUTRAL

Brown = LIVE

RADIO INTERFERENCE

Operation of the microwave oven can cause interference to your radio, TV, or similar equipment.

When there is interference, it may be reduced or eliminated by taking the following measures:

1. Clean door and sealing surface of the oven.
2. Reorient the receiving antenna of radio or television.
3. Relocate the microwave oven with respect to the receiver.
4. Move the microwave oven away from the receiver.
5. Plug the microwave oven into a different outlet so that microwave oven and receiver are on different branch circuits.

MICROWAVE COOKING PRINCIPLES

1. Arrange food carefully. Place thickest areas towards outside of dish.
2. Watch cooking time. Cook for the shortest amount of time indicated and add more as needed. Food severely overcooked can smoke or ignite.
3. Cover foods while cooking. Covers prevent spattering and help foods to cook evenly.
4. Turn foods over once during microwaving to speed cooking of such foods as chicken and hamburgers. Large items like roasts must be turned over at least once.
5. Rearrange foods such as meatballs halfway through cooking both from top to bottom and from the center of the dish to the outside.

UTENSILS GUIDE

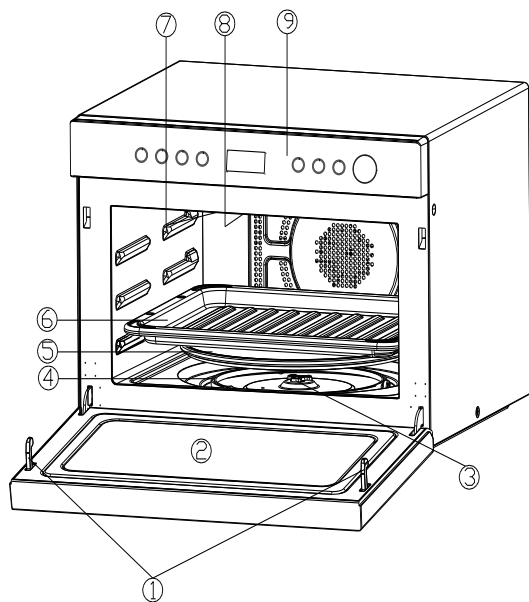
1. The ideal material for a microwave utensil is transparent to microwave, it allows energy to pass through the container and heat the food.
2. Microwave can not penetrate metal, so metal utensils or dishes with metallic trim should not be used.
3. Do not use recycled paper products when microwave cooking, as they may contain small metal fragments which may cause sparks and/or fires.
4. Round /oval dishes rather than square/oblong ones are recommending, as food in corners tends to overcook.
5. Narrow strips of aluminum foil may be used to prevent overcooking of exposed areas. But be careful don't use too much and keep a distance of 1 inch (2.54cm) between foil and cavity.

The list below is a general guide to help you select the correct utensils

* Combination: applicable for both "microwave+ grill", and "microwave+ convection" cooking

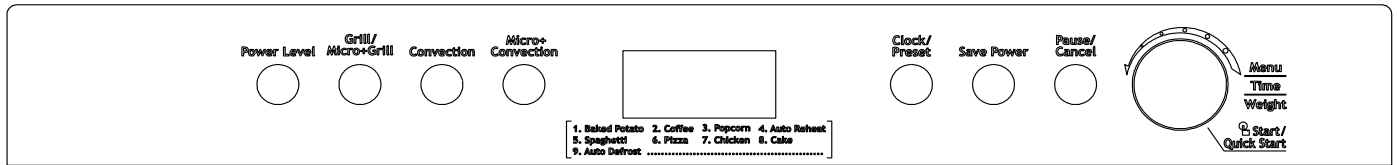
Cookware	Microwave	Grill	Convection	Combination*
Heat-Resistant Glass	Yes	Yes	Yes	Yes
Non Heat-Resistant Glass	No	No	No	No
Heat-Resistant Ceramics	Yes	Yes	Yes	Yes
Microwave-Safe Plastic Dish	Yes	No	No	No
Kitchen Paper	Yes	No	No	No
Metal Tray	No	Yes	Yes	No
Metal Rack	No	Yes	Yes	No
Aluminum Foil & Foil Container	No	Yes	Yes	No

PART NAMES



1. Door Safety Lock System
 2. Oven Window
 3. Shaft
 4. Roller Ring
 5. Glass Tray
 6. Baking Plate
 7. Wave Guide
- (Please do not remove the mica plate covering the wave guide)
8. Grill Heater
 9. Control Pane

CONTROL PANEL



DISPLAY SCREEN

Cooking time, power, indicators and present time are displayed.

POWER LEVEL

Press to select microwave power level.

GRILL/MICRO + GRILL

Press to set a grill-cooking program or one of two combination cooking settings with micro. and grill.

CONVECTION

Press to program convection temperature.

MICRO+CONVECTION

Press to select one of four combination cooking settings with micro. And convection.

CLOCK/PRESET

Press to set the oven clock.

SAVE POWER

Press to set save power mode of oven.

PAUSE/CANCEL

Press to stop cooking program or clear all previous settings before cooking starts.

Press once to stop cooking temporarily or twice to cancel cooking altogether. It also be used to set child proof lock.

MENU/TIME/WEIGHT (dial)

Rotate to select auto cook menus or enter time and food weight.

START/QUICK START (the dial)

Press to start cooking program or set express cooking program.
(Please also see the following pages for more detail.)

HOW TO SET THE OVEN CONTROLS

BEEPS DURING OVEN SETTINGS

- ONE BEEP: Oven accepts the entry.
- TWO BEEPS: Oven does not accept the entry. Please check and try again

SETTING THE CLOCK

The oven clock runs in 24-hour cycle, set time by pressing CLOCK/PRESET button. Suppose you want to set 8:30 o'clock.

Steps:

1. Press PAUSE/CANCEL button.
2. Press CLOCK/PRESET button,
3. Rotate the MENU/TIME/WEIGHT dial until the correct hour 8 is displayed.
4. Press CLOCK/PRESET button once.
5. Rotate the MENU/TIME/WEIGHT dial until the correct minute 30 is displayed.
6. Press CLOCK/PRESET button once to confirm.

Notice: during cooking process, press CLOCK/PRESET button to check present time.

MICROWAVE COOKING

The longest cooking time is 95 minutes.

Microwave cooking allows you to customize cooking power and time. Press POWER LEVEL button during cooking to check power level.

Press POWER LEVEL button to select different cooking power		
Press	Power	Description
once	100%(P100)	High
twice	90%(P-90)	
3 times	80%(P-80)	
4 times	70%(P-70)	Medium High
5 times	60%(P-60)	
6 times	50%(P-50)	Medium
7 times	40%(P-40)	
8 times	30%(P-30)	Med. Low/Defrost
9 times	20%(P-20)	
10 times	10%(P-10)	Low
11 times	0%(P-00)	

Suppose you want to cook for 5 minute at 60% power level. Steps:

1. Press PAUSE/CANCEL button.
2. Press POWER LEVEL button a number of times until showing P-60.
3. Rotate the MENU/TIME/WEIGHT dial until the correct cooking time is displayed.
4. Press START/QUICK START to start.

NOTE:

1. If you want to temporarily stop a cooking session, press the PAUSE/CANCEL button once and then you can start the cooking again by press START/QUICK START; or press the PAUSE/CANCEL button twice to cancel the cooking program altogether.
2. After cooking program has finished, the buzzer will sound beeps once every 2 minutes with END showing on screen, press any button or open oven door to clear that before setting another function. (Both note 1 and 2 are also available for other cooking program.)

GRILL COOKING

The longest cooking time is 95 minutes.

Grill cooking is particularly useful for thin slices of meat, steaks, chops, kebabs, sausages and pieces of chicken. It is also suitable for hot sandwiches and au gratin dishes.

Suppose you want to program grill cooking for 12 minutes.

Steps:

1. Press PAUSE/CANCEL button.
2. Press GRILL/MICRO+GRILL button once.
3. Turn MENU/TIME/WEIGHT dial to display cooking time.
4. Press START/QUICK START to start.

GRILL + MICROWAVE

The longest cooking time is 95 minutes.

This feature allows you to combine grill and microwave cooking on two different settings. First, press GRILL/MICRO+GRILL button to choose an appropriate combination setting, then, at the screen prompt, enter the desired cooking time by turning the MENU/TIME/WEIGHT dial. After you have pushed the START/QUICK START button, the system begins to count down. During cooking, you can press GRILL/MICRO+GRILL button to check the set combination.

COMBINATION 1

30% of whole time for microwave cooking, 70% for grill cooking. Use for cooking fish or au gratin.

Suppose you want to set combination 1 cooking for 25 minutes.

Steps:

1. Press PAUSE/CANCEL button.
2. Press GRILL/MICRO+GRILL button twice.
3. Turn MENU/TIME/WEIGHT dial to enter cooking time.
4. Press START/QUICK START button.

COMBINATION 2

55% of whole time for microwave cooking, 45% for grill cooking. Use for cooking pudding, omelets, baked potatoes and poultry.

Suppose you want to set combination 2 cooking for 12 minutes.

Steps:

1. Press PAUSE/CANCEL button.
2. Press GRILL/MICRO+GRILL button thrice.

3. Turn MENU/TIME/WEIGHT dial to enter cooking time.
4. Press START/QUICK START button.

CONVECTION COOKING

The longest cooking time is 9 hours and 30 minutes. During convection cooking, hot air is circulated throughout the oven cavity to brown and crisp foods quickly and evenly. This oven can be programmed for ten different cooking temperatures. They are: 110°C→200°C

To Cook with Convection

Press CONVECTION button a number of times to set convection temperature. Suppose you want to cook food at 170°C for 40 minutes.

Steps:

1. Press PAUSE/CANCEL button.
2. Press CONVECTION button to enter desired temperature.
3. Rotate the MENU/TIME/WEIGHT dial until the correct cooking time is displayed.
4. Press START/QUICK START button.

NOTE:

You can check the convection temperature while cooking is in progress by pressing the CONVECTION button.

To Preheat and Cook with Convection

Your oven can be programmed to combine preheating and convection cooking operations.

Suppose you want to preheat to 150°C and then cook 35 minutes.

Steps:

1. Press PAUSE/CANCEL button.
2. Press CONVECTION button to set preheat temperature.
3. Press START/QUICK START button. When the oven reaches the programmed temperature, beeps will sound once every 5 seconds.
4. Open the door and place container of food at the center of the glass tray.
5. Rotate the MENU/TIME/WEIGHT dial until the correct cooking time is displayed.
6. Press START/QUICK START button.

MICROWAVE+CONVECTION

The longest cooking time is 9 hours and 30 minutes. This oven has three pre-programmed settings that make it easy to cook with both convection heat and

microwave automatically.

Press MICRO+CONVECTION button to select convection temperature:

	Oven temperature(°C)
COMB1	110
COMB2	140
COMB3	170

Suppose you want to bake a cake for 26 minutes with COMB3.

Steps:

1. Press PAUSE/CANCEL button.
2. Press MICRO+CONVECTION button to set 170°C.
3. Rotate the MENU/TIME/WEIGHT dial until the correct cooking time is displayed.
4. Press START/QUICK START button to start.

NOTE:

You can check the convection temperature while cooking is in progress by pressing the MICRO+CONVECTION button.

AUTO DEFROST COOKING

Auto defrost cooking program allow the oven to defrost food based on the weight the user set.

The range weight of frozen foods varies between 100g and 1800g.

Suppose you want to defrost 600g of frozen food.

1. Press PAUSE/CANCEL button.
2. Rotate the MENU/TIME/WEIGHT dial anti-clockwise to select defrost code 9.
3. Press START/QUICK START button to confirm.
4. Rotate the MENU/TIME/WEIGHT dial to select weight of food.
5. Press START/QUICK START button.

NOTE:

During defrosting process, the buzzer will sound beeps and pause to remind user to turnover food. After that, close oven door and press START/QUICK START to resume defrosting.

MULTI-STAGE COOKING

Your oven can be programmed for up to 3 automatic cooking sequences. Some recipes may require to set multi-stage cooking program involving defrost

cooking.

Suppose you want to set the following cooking program.

Microwave cooking

Convection cooking (without preheat function)

Steps:

1. Press PAUSE/CANCEL button.
2. Enter a stage of Microwave cooking program without pressing START/QUICK START.
3. Enter a stage of Convection cooking program (without preheat function)
4. Press START/QUICK START button to start the whole program.

Note:

AUTO DEFROST COOKING and AUTO COOK, EXPRESS COOKING and CONVECTION COOK WITH PREHEATING functions can not be set in multi-stage cooking program.

PRESET FUNCTION

This function allow you to program a cooking program to start at a later time. For example: Suppose the present time is 9:00, and you want the oven to start a cooking program at 11:30.

1. Enter a desired cooking program.
2. Press CLOCK/PRESET button once.
3. Turn MENU/TIME/WEIGHT dial to set hour digits 11.
4. Press CLOCK/PRESET button once.
5. Turn MENU/TIME/WEIGHT dial to set minute to set minute digits 30.
6. Press START/QUICK START once.

NOTE: When it is time to 11:30, the desired cooking program start automatically. EXPRESS COOKING and CONVECTION COOK WITH PREHEATING functions cannot be preset. When this function starts to work, you can press PAUSE/CANCEL button to cancel it.

AUTO COOK

For food or the following cooking mode, it is not necessary to program the duration and the cooking power. It is sufficient to indicate the type of food that you wish to cook as well as the weight or number of this food.

Steps:

1. Press PAUSE/CANCEL button.

2. Rotate the MENU/TIME/WEIGHT dial anti-clockwise once, then rotate MENU/TIME/WEIGHT dial to clockwise to select menu cooked.
3. Press START/QUICK START button to confirm.
4. Rotate the MENU/TIME/WEIGHT dial to enter food weight or the number of servings.
5. Press START/QUICK START.

Auto Cook Menus :

Menu code	Menus category	Notes
1	Baked Potato(230g±10g/each)	1.For potato and coffee, the screen will show the number of serving but not weight of food. 2.For food 7 (chicken), beeps can be heard during cooking time to remind user to turn food over for uniform cooking. Press START/QUICK START to resume. 3.For popcorn and cake, there is only one weight to choose. 4.For whole potato, you may need to use microwave keep-fresh PE bag when cooking. 5.For auto reheat or spaghetti, you need to use microwave utensils or microwave cling film when cooking.
2	Coffee (each 200ml)	
3	Popcorn(99g)	
4	Auto Reheat (g)	
5	Spaghetti (g)	
6	Pizza (g)	
7	Chicken(g)	
8	Cake(475g)	

The result of auto cooking depends on factors such as voltage fluctuation, the shape and size of food, your personal preference as to the doneness of certain foods and even how well you happen to place food in the oven. If you find the result at any rate not quite satisfactory, please adjust the cooking time a little bit accordingly.

OTHER CONVENIENT FEATURES

CHILD PROOF LOCK

The child proof lock prevents unsupervised operation by little children.

To set the child proof lock: Press and hold PAUSE/CANCEL button for 3 seconds, then a beep will sound and the indicator light will come on. In the lock state, all buttons are disabled.

To cancel the child proof lock: Press and hold PAUSE/CANCEL button for 3 seconds, then a beep will sound and the indicator light will come off.

SAVE POWER FUNCTION

Press and hold SAVE POWER button for 3 seconds, then a beep will sound and the display screen will turn off, the system enter into save power mode. Press any button, the screen light up again.

EXPRESS COOKING

Use this feature to program the oven to microwave food at 100% power conveniently.

In standby mode, Press START/QUICK START in quick succession to set the cooking time, the oven will auto-start immediately. The maximum cooking time can be set is 10 minutes.

AUTOMATIC PROTECTION MECHANISM

1. When the system enters into super high temperature protection status, the digital display shows “E01” and continues to beep till the system comes back to normal condition and then press “PAUSE/CANCEL”.
2. When the system enters into super low temperature protection status, the digital display shows “E02” and continues to beep till the system comes back to normal condition and then press “PAUSE/CANCEL”.
3. The system enters into protection mode when the system sensor is Open / Short Circuited. The display shows “E03” and continues to beep until pressing “PAUSE/CANCEL” button. Call consumer service to check and replace the faulty sensor.
4. COOLING FEATURE—The controlling system of the microwave oven has the feature of cooling. As for any cooking mode which cooking time above 2 minutes, after finishing cooking, the oven fan will work about 3 minutes automatically to cool the oven for prolonging the life of the oven.


CLEANING AND CARE

1. Turn off the oven and remove the power plug from the wall socket before cleaning.
2. Keep the inside of the oven clean. When food splatters or spilled liquids adhere to oven walls, wipe with a damp cloth. Mild detergent may be used if the oven gets very dirty. Avoid the use of spray and other harsh cleaners as they may stain, streak or dull the door surface.
3. The outside surfaces should be cleaned with a damp cloth. To prevent damage to the operating parts inside the oven, water should not be allowed to seep into the ventilation openings.
4. Wipe the door and window on both sides, the door seals and adjacent parts frequently with a damp cloth to remove any spills or splatters. Do not use abrasive cleaner.
5. Do not allow the control panel to become wet. Clean with a soft, damp cloth. When cleaning the control panel, leave oven door open to prevent oven from accidentally turning on.
6. If steam accumulates inside or around the outside of the oven door, wipe with a soft cloth. This may occur when the microwave oven is operated under high humidity condition. And it is normal.
7. It is occasionally necessary to remove the glass tray for cleaning. Wash the tray in warm sudsy water or in a dishwasher.
8. The roller ring and oven floor should be cleaned regularly to avoid excessive noise. Simply wipe the bottom surface of the oven with mild detergent. The roller ring may be washed in mild sudsy water or dishwasher. When removing the roller ring from cavity floor for cleaning, be sure to replace in the proper position.
9. Remove odors from your oven by combining a cup of water with the juice and skin of one lemon in a deep microwaveable bowl, microwave for 5 minutes. Wipe thoroughly and dry with a soft cloth.
10. When it becomes necessary to replace the oven light, please consult a dealer to have it replaced.

11. The oven should be cleaned regularly and any food deposits removed. Failure to maintain the oven in a clean condition could lead to deterioration of the surface that could adversely affect the life of the appliance and possibly result in a hazardous situation.
12. Please do not dispose this appliance into the domestic rubbish bin, it should be disposed to the particular disposal center provided by the municipalities.
13. When the microwave oven with grill function is first used, it may produce slight smoke and smell. This is a normal phenomenon, because the oven is made of a steel plate coated with lubricating oil, and the new oven will produce fumes and odor generated by burning the lubricating oil. This phenomenon will disappear after a period of using.

ENVIRONMENT

CAUTION:

Do not dispose of this product as it has with other household products. There is a separation of this waste product into communities, you will need to inform  your local authorities about the places where you can return this product. In fact, electrical and electronic products contain hazardous substances that have harmful effects on the environment or human health and should be recycled. The symbol here indicates that electrical and electronic equipment should be chosen carefully, a wheeled waste container is marked with a cross.

FRANÇAIS

Veillez lire ces instructions attentivement avant d'installer et d'utiliser le four.

Pendant l'utilisation d'un appareil électrique, les précautions élémentaires de sécurité suivantes doivent être respectées:

ATTENTION: Pour réduire les risques de brûlure, d'électrocution, d'incendie, de blessure ou d'exposition excessive aux micro-ondes:

1. Lisez toutes les instructions avant d'utiliser l'appareil.
2. N'employez l'appareil que pour l'utilisation prévue et décrite dans ce manuel. N'utilisez pas de produits chimiques ou de gaz corrosifs avec l'appareil. Ce type de four est conçu spécifiquement pour réchauffer, cuire ou déshydrater la nourriture. Il n'est pas prévu pour un usage industriel ou de laboratoire.
3. Ne faites pas fonctionner le four quand il est vide.
4. N'utilisez pas l'appareil si son câble d'alimentation ou sa prise est endommagée, s'il ne fonctionne pas correctement, s'il a été abimé ou s'il est tombé. Si le câble d'alimentation est endommagé, il doit être remplacé par le fabricant ou son agent ou encore par une personne qualifiée afin d'éviter tout risque.
5. **ATTENTION:** Ne laissez les enfants utiliser le four sans surveillance que s'ils ont reçu les instructions adéquates leur permettant de faire fonctionner le four de manière sûre et de comprendre les risques inhérents à un mauvais usage.
6. **ATTENTION:** Il est dangereux pour une personne non-qualifiée d'effectuer un entretien ou une réparation qui nécessite l'enlèvement des parties protectrices contre les micro-ondes.
7. Pour réduire le risque d'incendie dans la cavité du four:
 - a. Si vous réchauffez de la nourriture dans un contenant en plastique ou en papier, surveillez le four pour éviter un incendie.
 - b. Retirez toutes les attaches métalliques des barquettes en

plastique ou papier avant de les placer dans le four.

c. Si de la fumée apparaît, éteignez ou débranchez le four et gardez la porte fermée pour étouffer les flammes éventuelles.

d. N'utilisez pas le four pour y ranger quelque chose. Ne laissez pas de choses en papier, d'ustensiles de cuisine ou de nourriture dans le four si vous ne l'utilisez pas.

8. ATTENTION: Les liquides ou les aliments ne doivent pas être réchauffés dans des contenants hermétiques sous peine d'explosion.

9. Le réchauffage de boissons peut produire des ébullitions explosives à retardement. Faites donc bien attention lorsque vous manipulez les contenants.

10. Ne faites pas frire de nourriture dans le four. L'huile brûlante peut abîmer les éléments de l'appareil ou les ustensiles; elle peut aussi provoquer des brûlures.

11. Les œufs frais et les œufs durs ne doivent pas être réchauffés au micro-ondes car ils peuvent exploser même après la fin du réchauffage.

12. Percez les aliments à peau épaisse comme les patates, les courges, les pommes et les châtaignes avant de les cuire.

13. Les bouteilles d'aliments liquides ou les biberons doivent être remués ou agités et leur température doit être vérifiée avant de les servir afin d'éviter toute brûlure.

14. Les ustensiles de cuisson peuvent devenir brûlants à cause de la chaleur des aliments. Nous vous recommandons de mettre des gants.

15. Vérifiez que les ustensiles que vous employez soient recommandés pour les fours à micro-ondes.

16. ATTENTION: Il est dangereux pour une personne non-qualifiée d'effectuer un entretien ou une réparation qui nécessite l'enlèvement des parties protectrices contre les micro-ondes.

17. Ce produit est du Groupe 2 Classe B ISM. La définition du Groupe

2 qui contient les ISM (*Industrial, Scientific and Medical equipment*) correspond à tout équipement produisant intentionnellement des radiofréquences et/ou utilisées sous forme de radiations électromagnétiques pour le traitement des matériaux et les équipements à électro-érosion. Les appareils de Classe B sont conçus pour un usage domestique à faible voltage comme dans les immeubles d'habitation.

18. Cet appareil n'est pas conçu pour être utilisé par des personnes (enfants compris) ayant une incapacité physique, sensorielle ou mentale, un manque d'expérience ou de connaissance, à moins qu'elles aient reçu des instructions concernant l'usage du four par quelqu'un responsable de leur sécurité.

19. Les jeunes enfants doivent être surveillés afin qu'ils ne jouent pas avec l'appareil.

20. Ce four à micro-ondes est un appareil autonome.

21. ATTENTION: N'installez pas le four sur des éléments ou des appareils de cuisine qui dégagent de la chaleur car sinon le four pourrait être endommagé et la garantie serait caduque.

22. Les surfaces du four peuvent être très chaudes pendant son fonctionnement.

23. Le four à micro-ondes ne doit pas être enfermé dans un meuble.

24. La porte du four et la partie supérieure peuvent être très chaudes pendant son fonctionnement.

25. La température des surfaces du four peut être très élevée pendant son fonctionnement.

26. L'appareil devrait être placé contre un mur.

27. Cet appareil n'est pas conçu pour être utilisé par des enfants ou des personnes ayant une incapacité physique, sensorielle ou mentale, un manque d'expérience ou de connaissance, à moins qu'elles aient reçu des instructions concernant l'usage du four.

- 28.** Il faut surveiller que les enfants ne jouent pas avec l'appareil.
- 29. ATTENTION:** Si la porte ou ses joints d'étanchéité sont abimés, il ne faut pas se servir du four jusqu'à ce qu'il ait été réparé par une personne qualifiée.
- 30.** Les instructions doivent confirmer qu'il ne faut pas tenter d'utiliser les appareils à l'aide d'un minuteur externe ou d'une télécommande qui ne fasse pas partie du four.
- 31.** Le four à micro-ondes est destiné à un usage privé et non commercial.
- 32.** N'enlevez pas les pattes d'écartement situées derrière ou sur les côtés du four car elle assure une ventilation entre l'appareil et le mur.
- 33.** Merci de fixer le plateau tournant avant de déplacer le four pour éviter de le casser.
- 34.** Attention: Il est risqué de faire entretenir ou réparer le four par une personne autre qu'un spécialiste car dans ce cas il faut retirer les protections contre les radiations. Cela implique alors de retirer le câble électrique ainsi que l'éclairage. Dans ce genre de situation, il est préférable d'emmener l'appareil à un agent agréé.
- 35.** Le four à micro-ondes est conçu pour décongeler la nourriture, la cuisiner ou la cuire à la vapeur.
- 36.** Utilisez des gants pour retirer les plats réchauffés.
- 37.** Attention! De la vapeur peut s'échapper lorsque vous ouvrez les boîtes ou que vous retirez les films d'emballage.
- 38.** Cet appareil peut être utilisé par des enfants à partir de huit ans et plus, ainsi que par des personnes ayant une incapacité physique, sensorielle ou mentale, un manque d'expérience ou de connaissance, à condition qu'elles aient reçu des instructions concernant l'usage du four et compris les risques en jeu. Les enfants ne doivent pas jouer avec le four. Le nettoyage et l'utilisation de l'appareil ne doivent pas être effectués par des enfants à moins qu'ils soient âgés d'au moins

huit ans et qu'ils soient surveillés.

39. S'il apparaît de la fumée, éteignez ou débranchez le four et gardez la porte fermée pour éteindre des flammes éventuelles.

**PRÉCAUTIONS À PRENDRE POUR ÉVITER UNE EXPOSITION
ÉVENTUELLE AUX RADIATIONS EXCESSIVES**

1. Ne pas tenter d'utiliser ce four avec la porte ouverte car cela entraînerait une exposition dangereuse aux radiations. Il est important de ne pas toucher ou altérer le verrouillage de sécurité.
2. Ne laissez pas la porte ouverte car des poussières pourraient se déposer sur les joints d'étanchéité.
3. Ne faites pas fonctionner le four s'il est endommagé. Il est particulièrement important que la porte ferme bien et qu'il n'y ait pas de dommages à :
 - a. La porte (pliure)
 - b. Les charnières et loquets (cassés ou branlants)
 - c. Les joints de la porte et des surfaces.
4. Le four ne doit pas être arrangé ou réparé par une personne autre qu'un spécialiste dûment qualifié.

CARACTÉRISTIQUES*

Consommation électrique:	230~240V/50Hz, 1400W (Micro-ondes)
	2050W (Convection)
	1250W (Grill)
Puissance des micro-ondes:émises	900W
Fréquence des ondes:	2450MHz
Dimensions extérieures:	376mm(H)×498mm(L)×574mm(P)
Dimensions de la cavité:	238mm(H)×405mm(L)×351mm(P)
Capacité:	34Litres
Uniformité de la cuisson:	Plaque tournante
Poids net:	Environ. 25,4 kg

AVANT D'APPELER LE SERVICE CLIENTÈLE

Si le four ne fonctionne pas:

1. Vérifiez que l'appareil est bien branché correctement. Si ce n'est pas le cas, débranchez le câble, attendez 10 secondes puis rebranchez-le avec soin.
2. Contrôlez qu'il n'y a pas un fusible fondu ou que le circuit n'a pas disjoncté. Si tout est normal, contrôlez la prise de courant avec un autre appareil.
3. Vérifiez que le panneau de commande est programmé correctement et que le minuteur est bien réglé.
4. Contrôlez que la porte est bien fermée et que le système de verrouillage est bien en place. Dans le cas contraire, il n'y aura pas d'émission de micro-ondes dans le four.

SI AUCUNE DES RECOMMANDATIONS CI-DESSUS N'EST UTILE, CONTACTEZ UN TECHNICIEN QUALIFIÉ. NE TENTEZ PAS DE RÉGLER OU DE RÉPARER LE FOUR PAR VOUS-MÊME.

INSTALLATION

1. Assurez-vous que tous les emballages ont été retirés de l'intérieur du four.
2. **ATTENTION:** Vérifiez que le four n'a pas de dégâts tels que : une porte pliée ou mal alignée, des joints de porte ou de surface défectueux, des charnières et des loquets cassés ou branlants, des bosses ou des enfoncements à l'intérieur du four ou dans la porte. S'il y a un dommage, n'utilisez pas le four et portez-le à un agent qualifié.
3. Le four à micro-ondes doit être disposé sur un support plan et stable qui résiste à son poids quand il est à pleine charge.
4. Ne placez pas le four dans des endroits où il y a de la chaleur, de l'humidité légère ou forte, ou encore près de matériaux inflammables.
5. Pour fonctionner correctement, le four doit être aéré suffisamment. Laissez 20cm d'espace au-dessus, 10cm à l'arrière et 5cm sur les côtés. Ne recouvrez ni ne bouchez pas les ouvertures ; n'enlevez pas les pieds.
6. N'utilisez pas le four sans que le plateau de verre, l'entraîneur à galets et l'axe ne soient en bonne position.
7. Assurez-vous que le câble électrique n'est pas abimé, qu'il ne passe pas sous le four ou sur n'importe quelle surface chaude ou coupante.
8. La prise de courant doit être aisément accessible pour débrancher rapidement le four en cas d'urgence.
9. N'utilisez pas le four en plein air.

INSTRUCTIONS DE MISE À LA TERRE

Cet appareil doit être branché à la terre. Il est équipé d'un câble muni d'une prise de terre. Il faut le brancher sur une prise de courant murale correctement installée et reliée à la terre. Dans le cas d'un éventuel court-circuit, la prise de terre réduit les risques de choc électrique en assurant une échappatoire au courant. Il est recommandé de prévoir un circuit électrique uniquement au four à micro-ondes. L'usage d'un courant à haute tension est dangereux et peut provoquer un incendie ou tout autre accident dommageable.

ATTENTION: Un emploi inadéquat de la prise de terre peut provoquer un risque d'électrocution.

Remarque:

1. Si vous avez des questions concernant la mise à la terre ou sur les recommandations au sujet du système électrique, veuillez consulter un électricien qualifié ou un agent agréé.
2. Ni le fabricant, ni le revendeur ne peuvent être tenus responsables de dommages occasionnés au four ou à quelqu'un si les règles de branchement électrique n'ont pas été respectées.

Les fils du câble ont des couleurs respectant le code suivant:

Vert et jaune = TERRE

Bleu = NEUTRE

Marron = SOUS TENSION

INTERFÉRENCES RADIO

Le fonctionnement du four à micro-ondes peut provoquer des interférences avec votre radio, votre téléviseur ou tout autre appareil similaire.

Quand c'est le cas, on peut les réduire ou les supprimer en prenant les mesures suivantes :

1. Nettoyez la porte et les joints du four.
2. Modifiez l'orientation de l'antenne de radio ou de la télévision.
3. Déplacez l'appareil en tenant compte du récepteur.
4. Éloignez l'appareil du récepteur.
5. Branchez le four dans une autre prise de courant afin que lui et le récepteur soient connectés à des circuits différents

PRINCIPES DE CUISSON AU FOUR À MICRO-ONDES

1. Disposez les aliments avec précaution en plaçant les morceaux les plus épais vers la périphérie du plat.
2. Surveillez le temps de cuisson. Basez-vous sur le temps minimum indiqué et prolongez si nécessaire. La nourriture qui est beaucoup trop cuite peut dégager de la fumée, voire s'enflammer.
3. Recouvrez les aliments durant la cuisson. Cela évite les projections et assure une cuisson uniforme.
4. Retournez les aliments tels que du poulet ou un hamburger une fois durant la cuisson pour l'accélérer. Des grands morceaux comme le rôti doivent être retournés au moins une fois.
5. Déplacez les aliments tels que les boulettes de viande à la moitié de la cuisson du haut vers le bas et du centre à l'extérieur du plat.

USTENSILES RECOMMANDÉS

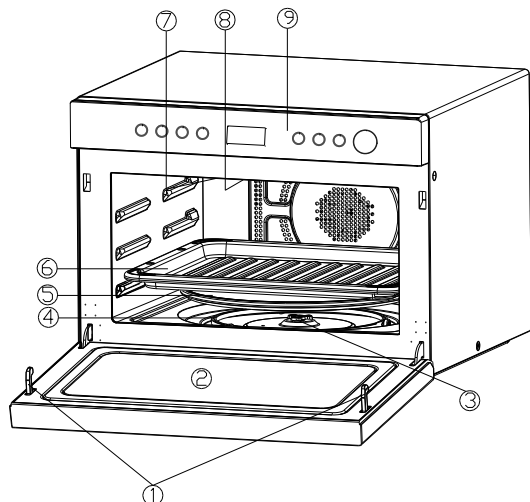
1. Le matériau idéal d'un ustensile de four à micro-ondes laisse passer les ondes. Il permet à l'énergie de traverser le contenant pour chauffer la nourriture
2. Les micro-ondes ne peuvent pas traverser le métal, donc il faut éviter tous les ustensiles métalliques.
3. N'utilisez pas de produits constitués de papier recyclé quand vous cuisinez au four car ils peuvent contenir des traces de métaux qui peuvent provoquer des étincelles et/ou des incendies.
4. Les plats ronds ou ovales sont préférables à ceux de forme carrée ou oblongue car les aliments situés dans les angles ont tendance à être trop cuit.
5. De fines feuilles d'aluminium peuvent être utilisées pour éviter de trop cuire les parties exposées. Mais attention de ne pas trop en utiliser et de garder une distance de 2cm environ entre les feuilles et les parois du four.

Pour vous aider dans le choix des ustensiles, nous vous avons préparé la liste ci-dessous.

* Combinaison: "micro-ondes + grill" ou "micro-ondes + convection"

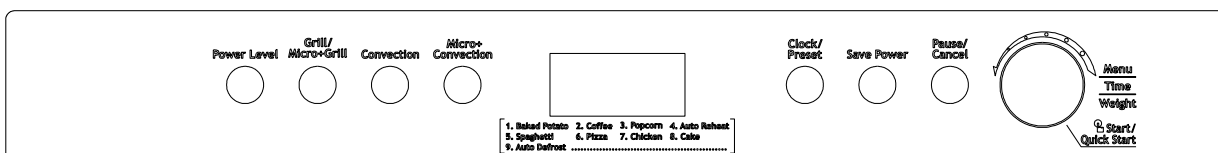
Mode de cuisson	Micro ondes	Grill	Convection	Combinaison*
Verre résistant à la chaleur	oui	oui	oui	oui
Verre non résistant à la chaleur	non	non	non	non
Céramique résistante à la chaleur	oui	oui	oui	oui
Plat en plastique pour microondes	oui	non	non	non
Sopalin	oui	non	non	non
Barquette métallique	non	oui	oui	non
Plat métallique	non	oui	oui	non
Film et barquette d'aluminium	non	oui	oui	non

ÉLÉMENTS DU FOUR



1. Porte munie d'un système de verrouillage
2. Hublot du four
3. Shaft
4. Entraîneur à galets
5. Plateau de verre
6. Plaque de cuisson
7. Guide d'ondes (Merci de ne pas enlever la plaque de mica qui recouvre le guide)
8. Résistance du grill
9. Panneau de contrôle

PANNEAU DE CONTRÔLE



ÉCRAN D'AFFICHAGE

Temps de cuisson, puissance, voyants et heure sont affichés.

SÉLECTEUR DE PUISSANCE

Pressez pour sélectionner le niveau de puissance

GRILL/MICRO + GRILL

Pressez pour lancer un programme de cuisson au grill ou une des deux combinaisons de cuisson avec les micro-ondes et le grill.

CONVECTION

Pressez pour choisir la température de convection.

MICRO+CONVECTION

Pressez pour lancer une des deux combinaisons de cuisson avec le micro-ondes et la convection.

RÉGLAGE DE L'HORLOGE

Pressez pour régler l'heure.

ÉCONOMISEUR

Pressez pour mettre le four en mode économie.

PAUSE/ANNULATION

Pressez pour stopper le programme de cuisson ou pour annuler les réglages de cuisson.

Pressez une fois pour stopper la cuisson ou deux fois pour l'annuler.

Cette commande est aussi utilisée pour empêcher les enfants de manipuler le four.

MENU / TEMPS / POIDS (sélectionner)

Tourner le bouton soit pour sélectionner les menus de cuissons, soit pour choisir le temps de cuisson ou pour le poids de la nourriture.

START/QUICK START (sélectionner)

Pressez pour démarrer le programme de cuisson ou le programme rapide de cuisson.

COMMENT AJUSTER LES RÉGLAGES DU FOUR

(Veuillez regarder aussi les informations suivantes pour plus de détails.)

BIPS LORS DES RÉGLAGES

- UN BIP: Le four accepte l'ordre
- DEUX BIPS: Le four n'accepte pas l'ordre. Merci de vérifier et de réessayer.

RÉGLAGE DE L'HORLOGE

L'horloge est réglée sur 24 h, affichez l'heure en pressant sur le bouton CLOCK / PRESET.

Supposons que vous désirez afficher 8 h 30.

Étapes:

1. Pressez sur le bouton PAUSE / CANCEL.
2. Pressez sur le bouton CLOCK / PRESET.
3. Tournez le bouton MENU / TIME / WEIGHT jusqu'à ce que s'affiche le chiffre 8.
4. Pressez sur le bouton CLOCK / PRESET une fois
5. Tournez le bouton MENU / TIME / WEIGHT jusqu'à ce que s'affiche le chiffre 30.
6. Pressez sur le bouton CLOCK / PRESET une fois pour confirmer

Remarque : durant la cuisson, pressez le bouton CLOCK / PRESET pour connaître l'heure.

CUISSON AU MICRO-ONDES

Le temps maximum de cuisson est de 95 minutes.

La cuisson au micro-ondes vous permet de régler la puissance et le temps de cuisson. Pressez le bouton POWER LEVEL durant la cuisson pour vérifier le niveau de puissance.

Pressez le bouton POWER LEVEL pour choisir la puissance de cuisson		
Pressez	Puissance	Niveau
1 fois	100%(P100)	élevée
2 fois	90%(P-90)	
3 fois	80%(P-80)	
4 fois	70%(P-70)	Moyennement élevée
5 fois	60%(P-60)	
6 fois	50%(P-50)	Moyenne
7 fois	40%(P-40)	
8 fois	30%(P-30)	Moyennement basse / Décongeler
9 fois	20%(P-20)	
10 fois	10%(P-10)	basse
11 fois	0%(P-00)	

Supposons que vous vouliez cuire pendant 5 minutes à 60% de la puissance maximale Étapes:

1. Pressez sur le bouton PAUSE / CANCEL.
2. Pressez sur le bouton POWER LEVEL plusieurs fois jusqu'à P-60.
3. Tournez le bouton MENU / TIME / WEIGHT jusqu'à ce que s'affiche le temps de cuisson voulu.
4. Pressez START / QUICK START pour démarrer.

REMARQUE:

1. Si vous désirez stopper temporairement la cuisson, pressez le bouton PAUSE / CANCEL une fois puis vous pouvez redémarrer en pressant START / QUICK START; ou en pressant le bouton PAUSE / CANCEL deux fois pour annuler la cuisson.
2. Après que la cuisson a terminé, vous entendrez un bip toutes les 2 minutes avec END s'affichant sur l'écran, pressez n'importe quel bouton ou bien ouvrez la porte du four pour supprimer les réglages avant d'en effectuer d'autres. (Les remarques 1 et 2 sont aussi valables pour les autres programmes de cuisson.)

CUISSON AU GRILL

Le temps maximum de cuisson est de 95 minutes.

La cuisson au grill est particulièrement utile pour les fines tranches de viande, les steaks, kebabs, saucisses et morceaux de poulet. Elle est aussi recommandée pour les hot-dogs et les plats au gratin.

Supposons que vous vouliez cuire au grill pendant 12 minutes.

Étapes:

1. Pressez le bouton PAUSE / CANCEL.
2. Pressez le bouton GRILL / MICRO+GRILL une fois.
3. Tournez le bouton MENU / TIME / WEIGHT pour afficher le temps de cuisson.
4. Pressez START / QUICK START pour démarrer.

GRILL + MICRO-ONDES

Le temps maximum de cuisson est de 95 minutes.

Vous pouvez régler séparément les temps de cuisson du grill et du micro-ondes. D'abord pressez GRILL / MICRO+GRILL pour choisir la combinaison voulue, puis saisissez le temps de cuisson désiré en tournant le bouton MENU / TIME / WEIGHT. Après avoir pressé le bouton START / QUICK START, le décompte commence. Durant la cuisson, vous pouvez presser GRILL / MICRO+GRILL pour vérifier la combinaison choisie.

COMBINAISON 1

30% du temps est utilisé pour la cuisson au micro-ondes et 70% pour celle au grill. Recommandée pour les poissons ou les plats au gratin

Supposons que vous vouliez cuire pendant 25 minutes.

Étapes:

1. Pressez le bouton PAUSE / CANCEL.
2. Pressez le bouton GRILL / MICRO+GRILL deux fois.
3. Tournez le bouton MENU / TIME / WEIGHT pour afficher le temps de cuisson.
4. Pressez START / QUICK START pour démarrer.

COMBINAISON 2

55% du temps est utilisé pour la cuisson au micro-ondes et 45% pour celle au grill. Recommandée pour les pommes de terre grillées et les volailles.

Supposons que vous vouliez cuire pendant 12 minutes.

Étapes:

1. Pressez le bouton PAUSE / CANCEL.
2. Pressez le bouton GRILL / MICRO+GRILL trois fois.
3. Tournez le bouton MENU / TIME / WEIGHT pour afficher le temps de cuisson.
4. Pressez START / QUICK START pour démarrer.

CONVECTION

Le temps maximal de cuisson est de 9 h 30. Durant la cuisson par convection, de l'air chaud circule dans l'ensemble de la cavité du four pour dorer et rendre

croustillant les aliments de manière rapide et uniforme. Il est possible de programmer dix températures différentes. Elles sont comprises entre 110°C→200°C.

Pour cuire par convection

Pressez le bouton CONVECTION plusieurs fois pour régler la température désirée

Supposons que vous vouliez cuire à 170°C pendant 40 minutes.

Étapes:

1. Pressez le bouton PAUSE / CANCEL.
2. Pressez le bouton CONVECTION pour régler la température désirée
3. Tournez le bouton MENU / TIME / WEIGHT pour afficher le temps de cuisson.
4. Pressez START / QUICK START pour démarrer.

REMARQUE:

Vous pouvez vérifier la température de cuisson en pressant le bouton CONVECTION.

Pour préchauffer et cuire par convection

Vous pouvez programmer le four en combinant le préchauffage et la cuisson par convection

Supposons que vous vouliez préchauffer à 150°C et cuire pendant 35 minutes

Étapes:

1. Pressez le bouton PAUSE / CANCEL.
2. Pressez le bouton CONVECTION pour régler la température de préchauffage désirée
3. Pressez START / QUICK START pour démarrer. Quand le four atteint la température choisie, il bipera toutes les 5 secondes
4. Ouvrez la porte et placez le plat au centre du plateau de verre.
5. Tournez le bouton MENU / TIME / WEIGHT pour afficher le temps de cuisson correct.
6. Pressez START / QUICK START pour démarrer.

MICRO-ONDES + CONVECTION

Le temps maximal de cuisson est de 9 h 30. Ce four a trois réglages préprogrammés qui assurent automatiquement la cuisson par convection et au micro-ondes.

Pressez le bouton MICRO+CONVECTION pour choisir la température de cuisson par convection:

	Température du four (°C)
COMB1	110
COMB2	140
COMB3	170

Supposons que vous vouliez cuire un gâteau pendant 26 minutes avec COMB3.

Étapes:

1. Pressez le bouton PAUSE / CANCEL
2. Pressez le bouton MICRO+CONVECTION pour régler à 170°C.
3. Tournez le bouton MENU / TIME / WEIGHT pour afficher le temps de cuisson correct.
4. Pressez START / QUICK START pour démarrer.

REMARQUE:

Vous pouvez vérifier la température de cuisson en pressant le bouton MICRO+CONVECTION.

DÉCONGÉLATION

Le programme de décongélation permet de décongeler les aliments en fonction de leur poids

Le poids des aliments congelés varie entre 100g et 1800g.

Supposons que vous vouliez décongeler 600g de nourriture.

Étapes:

1. Pressez le bouton PAUSE / CANCEL
2. Tournez le bouton MENU / TIME / WEIGHT dans le sens antihorlogique pour afficher le code 9.
3. Pressez START / QUICK START pour confirmer

4. Tournez le bouton MENU / TIME / WEIGHT pour choisir le poids
5. Pressez START / QUICK START pour démarrer.

NOTE:

Durant la décongélation, la sonnerie émettra des bips avec une pause pour rappeler de retourner les aliments. Après cela, fermez le four et pressez START/QUICK START pour reprendre la décongélation.

CUISSON MULTIPLE

Votre four peut programmer jusqu'à 3 séquences de cuisson différentes. Certaines recettes peuvent nécessiter la programmation de différents types de cuisson incluant la décongélation. Supposons que vous vouliez sélectionner les programmes de cuisson suivants.

Cuisson au micro-ondes

Cuisson par convection (sans préchauffage)

Étapes:

1. Pressez le bouton PAUSE / CANCEL
2. Saisissez une étape du programme de cuisson au micro-ondes sans presser START / QUICK START.
3. Saisissez une étape du programme de cuisson par convection (sans préchauffage)
4. Pressez le bouton START / QUICK START pour démarrer l'ensemble des programmes

Remarque:

Les fonctions de AUTO DEFROST COOKING (décongélation automatique) et AUTO COOK, EXPRESS COOKING (cuisson rapide automatique) et CONVECTION COOK WITH PREHEATING (cuisson par convection avec préchauffage) ne peuvent être utilisées dans le programme de cuisson multiple.

FONCTION DE PRÉRÉGLAGE

Cette fonction vous permet de programmer une cuisson à une heure ultérieure.

Par exemple, supposons qu'il soit 9 h et que vous vouliez démarrer la cuisson à 11 h 30.

Sélectionnez le programme de cuisson désiré.

1. Pressez le bouton CLOCK / PRESET une fois.
2. Tournez le bouton MENU / TIME / WEIGHT pour programmer le chiffre 11.
3. Pressez le bouton CLOCK / PRESET une fois.
4. Tournez le bouton MENU / TIME / WEIGHT pour programmer min. par min. le chiffre 30.
5. Pressez START/QUICK START une fois.

REMARQUE: Quand il sera 11 h 30, le programme de cuisson voulu démarrera automatiquement. Les fonctions EXPRESS COOKING (cuisson rapide) et CONVECTION COOK WITH PREHEATING (cuisson par convection avec préchauffage) ne peuvent être préréglées. Quand cette fonction démarre, vous pouvez presser PAUSE / CANCEL pour l'annuler.

CUISSON AUTOMATIQUE

Il n'est pas nécessaire de programmer la durée et la puissance de cuisson pour les aliments et les modes de cuisson suivants. Il est suffisant d'indiquer le type de nourriture que vous voulez cuire ainsi que son poids ou le nombre de portions.

Étapes:

1. Pressez le bouton PAUSE / CANCEL
2. Tournez le bouton MENU / TIME / WEIGHT dans le sens antihorlogique une fois puis tournez le bouton MENU / TIME / WEIGHT dans le sens horlogique pour sélectionner le menu de cuisson
3. Pressez le bouton START / QUICK START pour confirmer.
4. Tournez le bouton MENU / TIME / WEIGHT pour saisir le poids ou le nombre de portions.

Pressez le bouton START / QUICK START pour démarrer.

Menus de cuisson automatique:

Code du menu	Catégorie du menu	Remarques
1	Patates au four(230g±10g/unité)	<ol style="list-style-type: none">1. Pour les patates et le café, l'écran affichera le nombre de portions mais pas le poids.2. Pour la nourriture 7 (poulet), des bips peuvent sonner pour rappeler de retourner les aliments pour une cuisson uniforme. Pressez START / QUICK START pour démarrer.3. Pour les popcorns et les gâteaux, il n'y a qu'un seul poids.4. Pour toutes les variétés de patates, vous pourrez avoir besoin des sacs à micro-ondes PE pour les cuire.5. Pour le réchauffage automatique et les spaghettis, vous devez utiliser des ustensiles pour micro-ondes ou un film pour micro-ondes
2	Café (200ml/unité)	
3	Popcorn (99g)	
4	Réchauffage automatique (g)	
5	Spaghettis (g)	
6	Pizza (g)	
7	Poulet (g)	
8	Gâteau (475g)	

Le résultat des cuissons automatiques dépend de plusieurs facteurs tels que : la fluctuation du voltage, la forme et la taille de la nourriture, de vos goûts personnels concernant la cuisson de certains aliments et même de la manière avec laquelle vous placez la nourriture dans le four. Si vous n'êtes pas satisfait, merci d'ajuster le temps de cuisson un petit peu.

AUTRES CARACTÉRISTIQUES IMPORTANTES

SÉCURITÉ ENFANTS

La sécurité enfants évite la manipulation du four sans surveillance par les petits enfants.

Pour activer la sécurité enfants: Pressez et maintenez le bouton PAUSE /

CANCEL pendant 3 secondes, alors un bip sonnera et le témoin lumineux s'allumera. Une fois verrouillé, aucun des boutons n'est actif.

Pour désactiver la sécurité enfants: Pressez et maintenez le bouton PAUSE / CANCEL pendant 3 secondes, alors un bip sonnera et le témoin lumineux s'éteindra.

FONCTION ÉCONOMISEUR D'ÉNERGIE

Pressez et maintenez le bouton SAVE POWER pendant 3 secondes, alors un bip sonnera et l'écran d'affichage s'éteindra; l'appareil est alors en mode économiseur d'énergie. Si vous pressez n'importe quel bouton, l'écran s'allume de nouveau.

CUISSON RAPIDE

Utilisez cette fonction pour programmer le four à 100% de sa puissance.

En mode standby, Pressez START / QUICK START par mouvements rapides pour choisir le temps de cuisson, le four démarrera automatiquement. Le temps maximum de cuisson est de 10 minutes.

MÉCANISME DE PROTECTION AUTOMATIQUE

1. Lorsque l'appareil atteint une température très élevée, l'affichage digital montre "E01" et continue de biper jusqu'à ce que l'appareil revienne à des conditions normales, pressez alors "PAUSE / CANCEL".
2. Lorsque l'appareil atteint une température très basse, l'affichage digital montre "E02" et continue de biper jusqu'à ce que l'appareil revienne à des conditions normales, pressez alors "PAUSE / CANCEL".
3. L'appareil entre en mode protection quand le capteur est sur Open / Short. L'affichage montre "E03" et continue de biper jusqu'à ce que le bouton "PAUSE / CANCEL" soit appuyé.
4. Appelez le service client pour vérifier et remplacer le capteur fautif.
5. REFROIDISSEMENT : le système de contrôle du four à micro-ondes possède une fonction « refroidissement ». Ainsi que pour tous les modes de cuisson qui excèdent 2 minutes, après la cuisson, le ventilateur du four fonctionne automatiquement pendant 3 minutes afin de le refroidir. Cela prolonge la durée de vie de l'appareil.


NETTOYAGE ET ENTRETIEN

1. Éteignez le four et débranchez la prise avant de nettoyer l'appareil.
2. Maintenez propre l'intérieur du four. Quand il y a des projections de nourriture ou de liquide sur les parois du four, essuyez avec un chiffon humide. Utilisez un détergent doux si le four est vraiment très sale. Évitez l'emploi de spray ou de nettoyeurs agressifs car ils peuvent tacher la surface de la porte, la rayer ou la ternir.
3. Les surfaces extérieures doivent être nettoyées avec un chiffon humide. Afin d'éviter d'abîmer le moteur du four, il ne faut pas faire couler d'eau dans les ouvertures de ventilation.
4. Essuyez la porte et le hublot des deux côtés avec un chiffon humide, les joints de porte et les parties adjacentes pour enlever toutes les projections. N'employez pas de nettoyeurs abrasifs.
5. Ne laissez pas le panneau de contrôle se mouiller. Nettoyez-le avec un chiffon doux et humide. Gardez la porte du four ouverte afin d'éviter de le mettre en marche accidentellement.
6. Si de la vapeur s'accumule à l'intérieur du four ou à l'extérieur devant le hublot, essuyez avec un chiffon doux. Cela peut se produire quand le taux d'humidité de l'air est très élevé et c'est normal.
7. Il est parfois nécessaire d'enlever le plateau de verre pour le nettoyer. Utilisez alors de l'eau tiède savonneuse ou mettez-le au lave-vaisselle.
8. L'entraîneur à galets et le sol du four doivent être nettoyés régulièrement pour éviter des bruits excessifs. Essuyez simplement les surfaces avec un détergent doux. L'entraîneur à galets peut être lavé avec de l'eau tiède savonneuse ou au lave-vaisselle. Faites bien attention à le remettre dans la bonne position.

9. Pour retirer les mauvaises odeurs du four, versez dans un bol pour micro-ondes de l'eau additionnée du jus d'un citron avec sa peau ; chauffez le tout pendant 5 minutes puis essuyez vigoureusement et séchez avec un chiffon doux.
10. Quand il est nécessaire de remplacer la lampe du four, merci de consulter un agent agréé pour qu'il le fasse.
11. Le four doit être nettoyé régulièrement et toutes les projections de nourriture enlevées. Un nettoyage négligent peut conduire à une détérioration éventuelle de la surface, ce qui peut affecter la durée de vie de l'appareil et provoquer un accident.
12. Merci de ne pas jeter cet appareil aux ordures, mais de le laisser dans les containers de recyclage fournies par les municipalités.
13. Quand le four à micro-ondes avec la fonction grill est utilisé pour la première fois, il peut se produire un peu de fumée et une légère odeur. C'est normal car l'appareil est constitué d'une tôle d'acier recouverte d'une couche d'huile de lubrification qui brûle lors de la première utilisation. Ce phénomène disparaît à l'usage.

ENVIRONNEMENT

ATTENTION :

Vous ne devez pas vous débarrasser de cet appareil avec vos déchets ménagers. Un système de collecte sélective pour ce type de produit  est mis en place par les communes, vous devez vous renseigner auprès de votre mairie afin d'en connaître les emplacements. En effet, les produits électriques et électroniques peuvent contenir des substances dangereuses qui ont des effets néfastes sur l'environnement ou la santé humaine et doivent être recyclés. Le symbole ci-contre indique que les équipements électriques et électroniques font l'objet d'une collecte sélective, il représente une poubelle sur roues barrée d'une croix.

DEUTSCH

Bitte lesen Sie diese Anweisungen sorgfältig durch, bevor Sie den Ofen installieren und bedienen.

WICHTIGE SICHERHEITSANWEISUNGEN

Wenn Sie das elektrische Gerät nutzen, müssen grundlegende Vorsichtsmaßnahmen beachtet werden, einschließlich der folgenden:

WARNUNG: Um das Risiko von Verbrennungen, eines Stromschlages, eines Brandes, von Körperverletzungen oder der Aussetzung zur übermäßigen Mikrowellenstrahlungsenergie zu verringern:

1. Lesen Sie alle Anweisungen durch bevor Sie das Gerät benutzen.
2. Verwenden Sie das Gerät ausschließlich zu dem vorgesehenem Zweck, wie in dieser Bedienungsanleitung beschrieben ist. Benutzen Sie keine korrosiven Chemikalien oder Dämpfe in diesem Gerät. Dieser Typ von Öfen ist gezielt entworfen worden, um Nahrungsmittel aufzuwärmen, zu kochen oder zu trocknen. Nicht für industrielle Zwecke oder Laboreinsätze geeignet.
3. Bedienen Sie den Ofen nicht, wenn er leer ist.
4. Bedienen Sie das Gerät nicht, wenn das Kabel oder der Stecker beschädigt ist, wenn es nicht richtig funktioniert, heruntergefallen ist oder anderweitig beschädigt wurde. Wenn das Stromkabel in jeglicher Weise beschädigt ist, darf es nur vom Hersteller, einer von ihm beauftragen Werkstatt oder einer ähnlich qualifizierten Person ersetzt werden, um Gefährdungen zu vermeiden.
5. **WARNUNG:** Erlauben Sie nur dann Kindern den Ofen ohne Aufsicht zu nutzen sofern sie eine angemessene Einweisung zur sicheren Nutzung des Ofens und den mit dem unsachgemäßen Gebrauch verbundenen Gefahren erhalten haben.
6. **WARNUNG:** Dieses Gerät darf nur von qualifiziertem Wartungspersonal gewartet oder repariert werden, was die Entfernung jeder Deckung, die vor der Exposition zur Mikrowellenenergie schützt, umfasst.
7. Um das Risiko des Brandes im Garraum des Ofens zu verringern:
 - a. Wenn Sie Lebensmittel in einem Plastik- oder Papierbehälter aufwärmen, schauen Sie häufig in den Ofen, um die Möglichkeit der Entflammung auszuschließen.
 - b. Entfernen Sie alle Wendeknoten von Papier- und Plastiktüten,

bevor Sie diese in den Ofen legen.

- c. Bei Rauch, schalten Sie das Gerät aus oder ziehen Sie den Netzstecker und halten Sie die Tür zu, um die möglichen Flammen zu unterdrücken.
 - d. Benutzen Sie den Garraum nicht für Lagerzwecke. Hinterlassen Sie bei Nichtgebrauch keine Papierprodukte, Kochutensilien oder Lebensmittel im Garraum.
8. **WARNUNG:** Flüssigkeit oder andere Nahrungsmittel dürfen nicht in geschlossenen Behältern aufgewärmt werden, da sie explosionsfähig sind.
 9. Mikrowellenerwärmung der Getränke kann zu einem verzögerten eruptiven Kochen führen, deswegen muss drauf geachtet werden, vorsichtig mit dem Behälter umzugehen.
 10. Braten Sie keine Lebensmittel im Ofen. Heißes Öl kann die Ofenteile oder Utensilien beschädigen und sogar zu Hautverbrennungen führen.
 11. Eier mit ihrer Schale und ganze hart-gekochte Eier dürfen in den Mikrowellenöfen nicht aufgewärmt werden, da sie, sogar nach dem Beenden der Mikrowellenerwärmung, explosionsfähig sind.
 12. Durchstechen Sie Nahrungsmittel mit den starken Schalen, wie zum Beispiel Kartoffeln, ganze Kürbisse, Äpfel und Maronen vor dem Kochen.
 13. Der Inhalt der Babyfläschchen und Gläser muss aufgerührt oder geschüttelt werden und die Temperatur muss vor dem Geben überprüft werden, um Verbrennungen zu vermeiden.
 14. Kochutensilien können durch die Hitze von den erhitzten Lebensmitteln heiß werden. Topflappen können benötigt werden, um die Utensilien zu halten.
 15. Vergewissern Sie sich, dass Ihre Utensilien für Mikrowellenöfen geeignet sind.
 16. **WARNUNG:** Dieses Gerät darf nur von qualifiziertem Wartungspersonal gewartet oder repariert werden, was die Entfernung jeder Deckung, die vor der Exposition zur Mikrowellenenergie schützt, umfasst.
 17. Dieses Produkt ist ein ISM-Gerät der Gruppe 2 Klasse B. Gruppe 2 umfasst alle ISM-Geräte (industrielle, wissenschaftliche, medizinische), in denen Radiofrequenzenergie entsteht und/oder

in Form von elektromagnetischer Ausstrahlung zur Bearbeitung von Material benutzt wird, sowie Funkenerosionsgeräte. Klasse B sind Geräte für den Hausgebrauch oder Geräte an Stromversorgungsnetzen, die Wohngebäude speisen.

18. Dieses Gerät ist nicht dafür bestimmt, durch Personen (einschließlich Kinder) mit eingeschränkten physischen, sensorischen oder geistigen Fähigkeiten oder mangels Erfahrung und Wissen benutzt zu werden, es sei denn, sie werden durch eine für ihre Sicherheit zuständige Person beaufsichtigt oder erhalten von ihr Anweisungen, wie das Gerät zu benutzen ist.
19. Kleine Kinder müssen beaufsichtigt werden, um zu garantieren, dass sie mit dem Gerät nicht spielen.
20. Die Mikrowelle ist nur freistehend zu benutzen.
21. **WARNUNG:** Über der Herdfläche oder die anderen Wärme-erzeugenden Geräte nicht installieren. Falls installiert, könnte diese beschädigt werden und die Garantie wird erlöschen.
22. Die erreichbare Fläche kann während des Betriebs heiß werden.
23. Der Mikrowellenofen darf nicht in einen Schrank gestellt werden.
24. Die Tür oder die Außenfläche des Gerätes können während des Betriebs heiß werden.
25. Die Temperatur der erreichbaren Fläche kann während des Betriebs hoch werden.
26. Das Gerät soll an eine Wand gestellt werden.
27. Das Gerät ist nicht dafür bestimmt, durch Kinder oder Personen mit eingeschränkten physischen, sensorischen oder geistigen Fähigkeiten oder mangels Erfahrung und Wissen benutzt zu werden, es sei denn, sie die Aufsicht oder die Anweisungen, wie das Gerät zu benutzen ist, erhalten haben.
28. Kleine Kinder müssen beaufsichtigt werden, um zu garantieren, dass sie mit dem Gerät nicht spielen.
29. **WARNUNG:** Wenn die Tür oder die Türdichtungen beschädigt sind, darf der Ofen nicht bedient werden bis er von einer kompetenten Person repariert worden ist.
30. Die Anweisungen stellen fest, dass die Geräte nicht dafür geeignet sind, über eine externe Schaltuhr oder ein separates Fernsteuerungs-System bedient zu werden.
31. Der Mikrowellenofen ist nur im Haushalt und nicht kommerziell

zu benutzen.

32. Entfernen Sie nie den Abstandshalter an der Rückseite oder an den Seiten, da er einen Mindestabstand von der Wand für die Luftzirkulation sichert.
33. Bitte befestigen Sie den Drehteller, bevor Sie das Gerät bewegen, um Beschädigungen zu vermeiden.
34. **Achtung:** Es ist gefährlich für alle anderen, außer für eine dafür ausgebildete Person, Wartungs- oder Reparaturarbeiten auszuführen, die die Entfernung einer Abdeckung erfordert, die den Schutz gegen Strahlenbelastung durch Mikrowellenenergie sicherstellt. Das bezieht sich auch auf die Ersetzung des Stromkabels oder der Beleuchtung. In diesem Fall, schicken Sie das Gerät in unser Servicecenter.
35. Der Mikrowellenofen ist nur für das Auftauen, Kochen und Dampfgaren des Lebensmittels geeignet.
36. Benutzen Sie Handschuhe, um das aufgeheizte Lebensmittel zu entnehmen.
37. **Achtung!** Der Dampf wird beim Öffnen der Deckel oder Wickelfolie freigesetzt.
38. Das Gerät ist nicht dafür bestimmt, durch Kinder ab 8 Jahren und über und Personen mit eingeschränkten physischen, sensorischen oder geistigen Fähigkeiten oder mangels Erfahrung und Wissen benutzt zu werden, es sei denn, sie werden durch eine für ihre Sicherheit zuständige Person beaufsichtigt oder erhalten von ihr Anweisungen, wie das Gerät zu benutzen ist. Kinder dürfen mit dem Gerät nicht spielen. Die Reinigung und Wartung darf nicht durch Kinder durchgeführt werden, es sei den Sie sind über 8 Jahre alt und sind betreut.
39. Bei Rauch, schalten Sie das Gerät aus oder ziehen Sie den Netzstecker und halten Sie die Tür zu, um die möglichen Flammen zu unterdrücken.

SICHERHEITSMÄßNAHMEN, UM DIE MÖGLICHE AUSSETZUNG ZUR ÜBERMÄßIGEN MIKROWELLENSTRAHLUNGSENERGIE ZU VERMEIDEN:

- 40.** Versuchen Sie nicht, das Gerät zu bedienen ,während die Tür offen ist, da es zu schädlicher Aussetzung von Mikrowellenstrahlungsenergie führen kann. Die Sicherheitsverriegelungen dürfen nicht manipuliert oder funktionsunfähig gemacht werden.
- 41.** Platzieren Sie keine Gegenstände zwischen der Ofen-Vorderseite und der Tür oder hinterlassen Sie keine Schmutz- oder Reiniger-Rückstände auf den Sicherheitsverriegelungen.
- 42.** Bedienen Sie den Ofen nicht, wenn er beschädigt ist. Es ist besonderes wichtig, dass die Ofen-Tür richtig geschlossen ist und dass die folgenden Teile nicht beschädigt sind:
 - a.** Die Tür (gebeugt)
 - b.** Scharniere und Verriegelungen (gebrochen oder gelockert)
 - c.** Türdichtungen und Dichtungsflächen.
- 43.** Der Ofen sollte nur von qualifiziertem Fachpersonal gewartet und repariert werden.

BEDIENUNG VOR DER INSTALLATION*

Stromverbrauch:	230~240V/50Hz, 1400W (Mikrowelle)
	2050W (Konvektion)
	1250W (Grill)
Geschätzte Mikrowellen-Ausgangsleistung	900W
Arbeitsfrequenz:	2450MHz
Außenabmessungen:	376mm(H)×498mm(W)×574mm(D)
Garraums-Abmessungen:	238mm(H)×405mm(W)×351mm(D)
Garraum:	34Liter
Garergebnisse:	Drehscheibenanlage
Nettogewicht:	Ungefähr. 25.4kg

Falls der Ofen seinen Dienst versagt:

1. Stellen Sie sicher, dass der Stromstecker fest in der Steckdose steckt. Sollte er nicht sicher eingesteckt sein, ziehen Sie den Stecker aus der Steckdose, warten Sie 10 Sekunden und stecken Sie ihn wieder ein.
2. Überprüfen Sie Ihren Sicherungskasten nach herausgesprungenen Sicherungen oder einem abgeschalteten Haupt-Sicherungsschalter. Sollten diese keine Fehler aufweisen testen Sie die Steckdose mit einem anderen Gerät.
3. Überprüfen Sie, ob das Bedienfeld korrekt programmiert ist und der Timer korrekt eingestellt wurde.
4. Stellen Sie sicher, dass die Tür des Ofens fest im Sicherheits-Schließmechanismus eingerastet ist. Sollte dies nicht der Fall sein, wird der Ofen nicht mit Strom versorgt.

FALLS KEINER DIESER HINWEISE HILFT, WENDEN SIE SICH BITTE AN EINEN QUALIFIZIERTEN TECHNIKER. VERSUCHEN SIE NICHT DEN OFEN EIGENHÄNDIG ZU REPARIEREN.

AUSSTATTUNGSGEGENSTAND

1. Vergewissern Sie sich, dass die sämtlichen Verpackungsmaterialien von der Innenseite der Tür entfernt sind.
2. **WARNUNG:** Überprüfen Sie den Ofen auf eventuelle Beschädigungen, wie beispielsweise eine aus den Angeln gehobene oder verbogene Tür, beschädigte Türdichtungen und Dichtflächen, gebrochene oder lose Scharniere oder verbeulte Stellen im Innenraum oder an der Tür. Sollten Sie Schäden feststellen, nehmen Sie den Ofen nicht in Betrieb, sondern wenden Sie sich an qualifiziertes Service-Personal.
3. Dieser Mikrowellen-Ofen muss auf einer ebenen, stabilen Oberfläche platziert werden, die das Gewicht des Geräts und der schwersten Speisen, die im Ofen gemacht werden, tragen kann.
4. Platzieren Sie den Ofen nicht in der Nähe von Hitze, Feuchtigkeits- oder Luftfeuchtigkeitsquellen oder von entflammbar Materialen.
5. Für einen ordnungsgemäßen Betrieb benötigt der Ofen ausreichende Luftzufuhr. Gewähren Sie dem Gerät einen Abstand zu Wänden und anderen Objekten von mindestens 20 cm nach oben, 10 cm nach Hinten und 5 cm auf beiden Seiten. Verdecken Sie keine der Öffnungen an der Außenwand des Gerätes und blockieren Sie diese nicht. Entfernen Sie die Standfüße nicht.
6. Betreiben Sie den Ofen nicht, wenn Glas-Teller, Roll-Ring und Achse sich nicht an der korrekten Position befinden.
7. Stellen Sie sicher, dass das Stromkabel unbeschädigt ist und nicht unter dem Gerät oder auf anderen scharfkantigen oder heißen Oberflächen verläuft.
8. Der Stecker muss zu jeder Zeit leicht erreichbar sein, um im Falle eines Notfalls schnell gezogen werden zu können.
9. Verwenden Sie den Ofen nicht drauße

ERDUNGSVORSCHRIFTEN

Dieses Gerät muss geerdet sein. Das Gerät ist mit einem Stromkabel mit integriertem Erdungskabel und Erdungsstecker ausgestattet. Es muss mit einer Steckdose verbunden werden, die sachgemäß eingebaut und geerdet ist. Im Falle eines elektrischen Kurzschlusses reduziert die Erdung die Gefahr eines Stromschlages, in dem sie dem Strom die Möglichkeit gibt, zu entweichen. Es wird empfohlen, dieses Gerät an einen eigenen Stromkreis anzuschließen. Der Gebrauch von hohen Spannungen ist gefährlich und kann in einem Feuer oder anderen Unfällen resultieren, die den Ofen beschädigen könnten.

WARNUNG: Unsachgemäßer Gebrauch des Erdungskabels erhöht die Gefahr eines Stromschlages.

Hinweis:

1. Sollten Sie Fragen zur Erdung oder anderen technischen Hinweisen haben, wenden Sie sich an einen qualifizierten Elektriker oder das Kundendienstpersonal.
2. Weder der Hersteller, noch der Händler können die Haftung für Schäden am Gerät oder Verletzungen von Personen übernehmen, die aus einem fehlerhaften Anschlussverfahren resultieren.

Die einzelnen Kabel im Netzanschluss sind nach folgender Kodierung eingefärbt.

Grün und Gelb: SCHUTZLEITER

Blau: NULLLEITER

Braun: PHASE

Der Betrieb der Mikrowelle kann Funkstörungen bei Ihrem Radio, Fernseher oder ähnlichen Geräten hervorrufen.

FUNKSTÖRUNGEN

Sollte es zu einer solchen Störung kommen, können sie durch folgende Maßnahmen reduziert oder getilgt werden.

1. Reinigen Sie die Tür und die Dichtflächen des Ofens.
2. Positionieren Sie die Antenne von Fernseher oder Radio neu.
3. Positionieren Sie die Mikrowelle neu in Bezug auf den Empfänger.
4. Vergrößern Sie den Abstand von Mikrowelle zum Empfänger
5. Stecken Sie das Stromkabel der Mikrowelle in eine andere Steckdose, damit sich Ofen und Empfänger in unterschiedlichen Stromkreisen befinden.

MIKROWELLEN KOCH-RICHTLINIEN

1. Ordnen Sie die Speisen gewissenhaft an. Platzieren Sie die dicksten Bereiche möglichst am Rand des Geschirrs
2. Achten Sie auf die Garzeit. Erhitzen Sie die Speisen mit der kürzesten angegebenen Zeit und verlängern Sie die Zeit falls Notwendig. Zu lange erhitzte Speisen können Rauch entwickeln und sich entzünden
3. Decken Sie die Speisen während des Kochens ab. Das Abdecken verhindert Spritzer und hilft, die Speisen gleichmäßig zu erwärmen
4. Wenden Sie die Speisen um die Erwärmung beispielsweise von Hähnchen und Burgern zu beschleunigen. Größere Speisen wie zum Beispiel Braten müssen mindestens ein Mal gewendet werden.
5. Platzieren Sie die Speisen wie zum Beispiel Frikadellen neu, Schieben Sie diese bei der Hälfte der Garzeit von der Mitte des Geschirrs zum Rand und umgekehrt.

UTENSILIEN GUIDE

1. Das ideale Material für Mikrowellen-Geschirr ist mikrowellendurchlässig, es lässt die Energie durchfließen und ermöglicht, die Speisen zu erhitzen
2. Mikro- Wellen können kein Metall durchdringen, so Metall-Geschirr oder Geschirr mit metallischer Ummantelung sollten daher nicht benutzt werden
3. Verwenden Sie keine Produkte aus recycelten Papier, da diese kleinste Metalleile enthalten können, die Funkenflug und Feuer hervorrufen können
4. Rundes/ovales Geschirr ist gegenüber eckigem zu bevorzugen, da die Speisen in den Ecken dazu neigen überkocht zu werden
5. Schmale Streifen aus Aluminium-Folie können beim Grill dazu verwendet werden um das überkochen an einigen Stellen zu verhindern. Aber seien Sie vorsichtig, nutzen Sie nicht zu viel Folie und halten Sie stets einen Abstand von 1 Inch (2,54 cm) zwischen der Innenwand und der Folie.

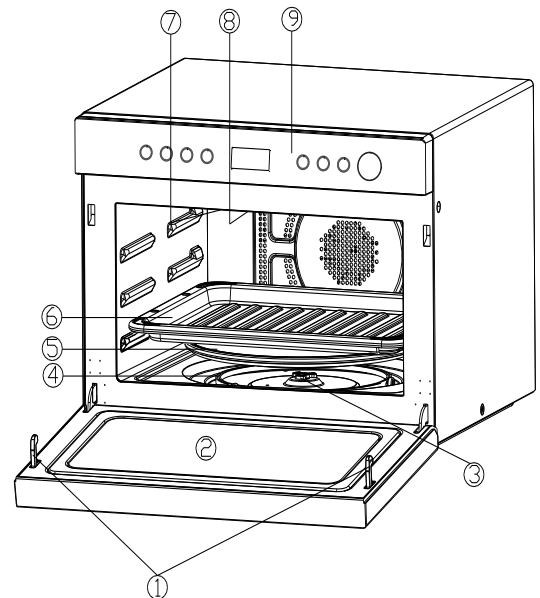
Die folgende Liste gibt Ihnen einen Überblick um das richtige Geschirr auszusuchen.

*Kombination: anwendbar für die beiden „ Mikrowelle+ Grill“ und „ Mikrowelle+ KONVEKTION“ Kochweisen.

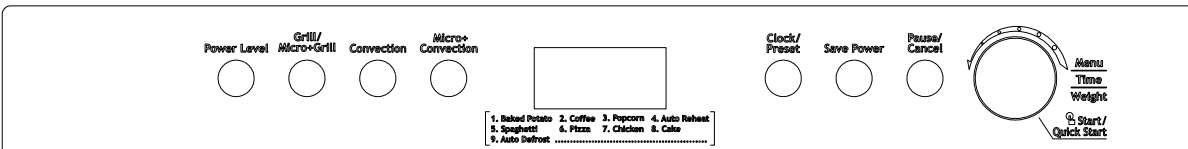
Kochgeschirr	Mikrowelle	Grill	KONVEKTION	Kombination*
Hitze-festes Glas	Ja	Ja	Ja	Ja
Nicht Hitze-festes Glas	Nein	Nein	Nein	Nein
Hitze-feste Keramik	Ja	Ja	Ja	Ja
Mikrowellen-sicheres Plastik-Geschirr	Ja	Nein	Nein	Nein
Küchenpapier	Ja	Nein	Nein	Nein
Metalltablett	Nein	Ja	Ja	Nein
Metall-Gestell	Nein	Ja	Ja	Nein
Aluminium-Folie und Behälter aus Folie	Nein	Ja	Ja	Nein

TEILNAME

1. Sicherheits-Türschließmechanismus
2. Ofen-Fenster
3. Welle
4. Roll-Ring
5. Glastablett
6. Backplatte
7. Wellenleiter
- (Bitte entfernen Sie die Platte nicht, die den Wellenleiter deckt)
8. Grill- Heizkörper
9. Bedienfeld



BEDIENFELD



BILDSCHIRMANZEIGE

Garzeit, Power, Indikatoren und Jetztzeit werden angezeigt.

LEISTUNGSSTUFE

Drücken, um eine Leistungsstufe zu wählen.

GRILL/MIKRO + GRILL

Drücken, um ein Grill - Programm oder eine von zwei Kombinationen von Kocheinstellungen mit Mikro und Grill festzulegen

KONVEKTION

Drücken, um die Lufttemperatur zu programmieren

MICRO+KONVEKTION

Drücken, um eine von vier Kombinationen von Kocheinstellungen mit Mikro und Konvektion.

UHR/ VOREINSTELLUNG

Drücken, um die Ofenuhr einzustellen.

ENERGIE SPAREN

Drücken, um den Energiesparmodus des Ofens einzustellen

PAUSE/ABBRECHEN

Drücken, um das Koch-Programm einzustellen oder alle früheren Einstellungen vor dem Anfang des Kochens zu löschen.

Einmal drücken, um das Kochen vorübergehend zu unterbrechen und zweimal, um das Kochen komplett abzubereiten.

Es kann auch benutzt werden, um eine Kindersicherung einzustellen.

MENÜ/ ZEIT/ GEWICHT (Zifferblatt)

Drehen, um Auto-Koch Menüs einzustellen oder die Zeit und das Essensgewicht einzugeben.

START/SCHNELL-START (das Zifferblatt)

Drücken, um ein Kochprogramm zu starten oder das Express-cooking Programm einzustellen.

(Siehe bitte auch die folgenden Seiten für mehr Details)

OFEN-BEDIENELEMENTE EINSTELLEN

SIGNALTÖNE WÄHREND DER OFEN-EINSTELLUNG

- EIN SIGNAL: Ofen nimmt den Eintrag an.
- ZWEI SIGNALE: Ofen nimmt den Eintrag nicht an. Bitte überprüfen Sie diesen und versuchen Sie es noch einmal.

EINSTELLUNG DER UHR

Die Zykluszeit der Ofenuhr beträgt 24 Stunden, stellen Sie die Zeit ein, indem Sie auf den „UHR/ VOREINSTELLUNG“ Knopf drücken.

Zum Beispiel, Sie möchten 8:30 einstellen.

Schritte:

1. Drücken Sie auf den PAUSE/ABBRECHEN Knopf.
 2. Dann drücken Sie auf den UHR/ VOREINSTELLUNG Knopf.
 3. Drehen Sie das MENÜ/ ZEIT/ GEWICHT Zifferblatt, bis die gewünschte Stunde (8) angezeigt ist.
 4. Drücken Sie auf den UHR/ VOREINSTELLUNG Knopf einmal.
 5. Drehen Sie das MENÜ/ ZEIT/ GEWICHT Zifferblatt, bis die gewünschten Minuten (30) angezeigt sind.
 6. Drücken Sie auf den UHR/ VOREINSTELLUNG Knopf einmal zu bestätigen.
- Hinweis: Drücken Sie während des Kochprozesses auf den UHR/ VOREINSTELLUNG Knopf, um die Jetztzeit zu sehen.

MIKROWELLEN-KOCHEN

Die längste Garzeit beträgt 95 Minuten.

Vorbereitung in einer Mikrowelle ermöglicht Ihnen, Kochleistung und Zeit individuell anzupassen. Drücken Sie während des Kochprozesses auf den Leistungsstufe-Knopf, um die Leistungsstufe zu sehen.

Drücken Sie auf den Leistungsstufe-Knopf, um die Kochleistung zu regulieren		
Drücken	Leistung	Beschreibung
einmal	100%(P100)	Hoch
zweimal	90%(P-90)	
3 Mal	80%(P-80)	
4 Mal	70%(P-70)	Medium Hoch
5 Mal	60%(P-60)	
6 Mal	50%(P-50)	Medium
7 Mal	40%(P-40)	
8 Mal	30%(P-30)	Med. Niedrig/Auftauen
9 Mal	20%(P-20)	
10 Mal	10%(P-10)	Niedrig
11 Mal	0%(P-00)	

Angenommen, Sie möchten etwas für 5 Minuten garen auf der 60% Leistungsstufe.

Schritte:

1. Drücken Sie auf den PAUSE/ABBRECHEN Knopf.
2. Dann drücken Sie auf den Leistungsstufe- Knopf einige Male, bis es P-60 zeigt.
3. Drehen Sie das MENÜ/ ZEIT/ GEWICHT Zifferblatt, bis die gewünschte Kochzeit angezeigt ist.
4. Drücken Sie START/SCHNELL START, um anzufangen.

Hinweis:

1. Wenn Sie eine Kochrunde vorübergehend unterbrechen möchten, drücken Sie einmalig auf den PAUSE/ABBRECHEN Knopf, danach können Sie die Runde fortsetzen, indem Sie START/SCHNELL START drücken; oder drücken Sie auf den PAUSE/ABBRECHEN Knopf zweimal, um das Kochprogramm komplett abubrechen.
2. Wenn die Kochrunde beendet ist, wird der Summer jede 2 Minuten ein Signal abgeben, mit END, angezeigt auf dem Bildschirm. Drücken Sie eine beliebige Taste oder öffnen Sie die Ofentür, um die Einstellungen zurückzusetzen, bevor Sie eine andere Funktion wählen. (Beide 1 und 2 sind auch für andere Kochprogramme verfügbar)

GRILL KOCHEN

Die längste Garzeit beträgt 95 Minuten.

Grill Kochen ist insbesondere sinnvoll für dünne Fleischscheiben, Steaks, Kotletten, Spieße, Würste und Hühnerenteile. Es eignet sich auch für heiße Sandwiches und überbackene Gerichte.

Angenommen, Sie möchten Grill Kochen für 12 Minuten programmieren.

Schritte:

1. Drücken Sie auf den PAUSE/ABBRECHEN Knopf.
2. Drücken Sie einmal auf den GRILL/MICRO+GRILL Knopf .
3. Drehen Sie das MENÜ/ ZEIT/ GEWICHT Zifferblatt, um die Garzeit zu zeigen.
4. Drücken Sie START/SCHNELL START, um anzufangen.

GRILL+MIKROWELLE

Die längste Garzeit beträgt 95 Minuten.

Diese Funktion ermöglicht Ihnen, Grill und Mikrowellen-Kochen auf zwei verschiedenen Einstellungen zu kombinieren. Zuerst, drücken Sie auf den GRILL/ MICRO+GRILL Knopf, um eine passende Einstellung zu wählen. Danach, in der Bildschirmanzeige, geben Sie die gewünschte Garzeit ein, indem Sie das MENÜ/ ZEIT/ GEWICHT Zifferblatt drehen. Nachdem Sie auf den START/SCHNELL START Knopf gedrückt haben, beginnt das System, rückwärts zu zählen. Während des Kochens, können Sie jederzeit auf den GRILL/MICRO+GRILL Knopf Drücken, um die festgelegte Kombination zu sehen.

KOMBINATION 1

30 % der gesamten Zeit für Mikrowellen-Kochen, 70% für Grill-Kochen. Benutzen Sie diese, um Fisch oder Au gratin vorzubereiten.

Angenommen, Sie möchten die Kombination 1 für 25 Minuten Garzeit einzustellen.

Schritte:

1. Drücken Sie auf den PAUSE/ABBRECHEN Knopf.
2. Drücken Sie auf den GRILL/MIKRO+GRILL Knopf zweimal.
3. Drehen Sie das MENÜ/ ZEIT/ GEWICHT Zifferblatt, um die Garzeit einzugeben.
4. Drücken Sie auf den START/SCHNELL START Knopf.

KOMBINATION 2

55 % der gesamten Zeit für Mikrowellen-Kochen, 45% für Grill-Kochen. Benutzen Sie diese, um Pudding, Omeletts, gebackene Kartoffeln und Geflügel vorzubereiten.

Angenommen, Sie möchten die Kombination 2 für 12 Minuten Garzeit einzustellen.

Schritte:

1. Drücken Sie auf den PAUSE/ABBRECHEN Knopf.
2. Drücken Sie dreimal auf den GRILL/MIKRO+GRILL Knopf .
3. Drehen Sie das MENÜ/ ZEIT/ GEWICHT Zifferblatt, um die Garzeit einzugeben.
4. Drücken Sie auf den START/SCHNELL START Knopf.

KONVEKTION-KOCHEN

Die längste Garzeit beträgt 9 Stunden und 30 Minuten. Während des Konvektion-Kochens zirkuliert die heiße Luft im Backofen, um das Lebensmittel schnell und gleichmäßig zu bräunen und knusprig zu machen. Dieser Herd kann auf zehn verschiedene Kochtemperaturen eingestellt werden. Diese sind: 110°C→200°C

Um mit Konvektion zu Kochen

Drücken Sie auf den Konvektion Knopf einige Male, um die Konvektion-Temperatur einzustellen.

Angenommen, Sie möchten das Essen auf 170°C für 40 Minuten backen.

Schritte:

1. Drücken Sie auf den PAUSE/ABBRECHEN Knopf.
2. Drücken Sie auf den Konvektion Knopf , um die gewünschte Temperatur einzugeben.
3. Drehen Sie das MENÜ/ ZEIT/ GEWICHT Zifferblatt, bis die korrekte Garzeit angezeigt ist.
4. Drücken Sie auf den START/SCHNELL START Knopf.

HINWEIS:

Sie können die Konvektion-Temperatur während der Garzeit sehen, indem Sie auf den Konvektion Knopf drücken.

Um vorzuheizen und mit Konvektion zu kochen.

Ihr Ofen kann darauf eingestellt werden, die Vorheiz- und Konvektion Kochvorgänge zu kombinieren.

Angenommen, Sie möchten bis auf 150°C vorheizen und danach 35 Minuten kochen.

Schritte:

1. Drücken Sie auf den PAUSE/ABBRECHEN Knopf.
2. Drücken Sie auf den Konvektion Knopf , um die Vorwärmtemperatur festzulegen.
3. Drücken Sie auf den START/SCHNELL START Knopf. Wenn der Ofen die festgestellte Temperatur erreicht, wird jede 5 Sekunden ein Signal ertönen.
4. Öffnen Sie die Tür und platzieren Sie ein Behälter mit Essen in der Mitte von dem Glastablett.
5. Drehen Sie das MENÜ/ ZEIT/ GEWICHT Zifferblatt, bis die korrekte Garzeit angezeigt ist.
6. Drücken Sie auf den START/SCHNELL START Knopf.

MIKROWELLE +KONVEKTION

Die längste Garzeit beträgt 9 Stunden und 30 Minuten. Dieser Ofen hat drei vorprogrammierte Einstellungen, die es einfach machen, mit beiden, nämlich der Konvektion- und Mikrowellen- Einstellung automatisch zu kochen.

Drücken Sie auf den MIKRO-KONVEKTION Knopf, um die Konvektion Temperatur zu wählen.

	Ofen- Temperatur(°C)
KOMB1	110
KOMB2	140
KOMB3	170

Angenommen, Sie möchten einen Kuchen für 26 Minuten mit KOMB3 backen.

Schritte:

1. Drücken Sie auf den PAUSE/ABBRECHEN Knopf.
2. Drücken Sie auf den MIKRO+KONVEKTION Knopf , um 170°C einzugeben.
3. Drehen Sie das MENÜ/ ZEIT/ GEWICHT Zifferblatt, bis die korrekte Garzeit angezeigt ist.
4. Drücken Sie auf den START/SCHNELL START Knopf.

HINWEIS:

Sie können die Konvektion-Temperatur während der Garzeit sehen, indem Sie auf den MIKRO+KONVEKTION Knopf drücken.

AUTOMATISCH-AUFTAUEN KOCHEN

Das Automatisch-Auftauen Kochprogramm ermöglicht dem Ofen, das Lebensmittel auf Grund des vom Nutzers eingetragenen Gewichts aufzutauen.

Der Gewichtsbereich der Tiefkühlprodukte variiert zwischen 100g und 1800 g.

Angenommen, Sie möchten 600g von Tiefkühllebensmittel auftauen.

1. Drücken Sie auf den PAUSE/ABBRECHEN Knopf.
2. Drehen Sie das MENÜ/ ZEIT/ GEWICHT Zifferblatt gegen den Uhrzeigersinn, um Code 9 zu wählen.
3. Drücken Sie auf den START/SCHNELL START Knopf zu bestätigen.
4. Drehen Sie das MENÜ/ ZEIT/ GEWICHT Zifferblatt, um das Essensgewicht zu wählen.
5. Drücken Sie auf den START/SCHNELL START Knopf.

HINWEIS:

Während des Auftau-Vorgangs, wird der Summer Signale abgeben und anhalten, um Sie zu erinnern, das Essen umzudrehen. Danach schließen Sie bitte die Tür und drücken Sie auf den START/SCHNELL START Knopf, um das Auftauen fortzusetzen.

MEHRSTUFIGER KOCHVORGANG

Ihr Ofen kann bis auf 3 automatische Kochabläufe eingestellt werden. Manche Rezepte können einen mehrstufigen Kochvorgang benötigen, eingeschlossen die Auftau-Funktion.

Angenommen, Sie möchten das folgende Kochprogramm festlegen.

Mikrowellen-Kochen

Kochen mit Konvektion (ohne Auftau-Funktion)

Schritte:

1. Drücken Sie auf den PAUSE/ABBRECHEN Knopf.
2. Geben Sie eine Stufe des Mikrowellen-Kochprogramms ein, ohne auf START/SCHNELL START zu drücken.
3. Geben Sie eine Stufe des Umlauf-Kochprogramms (ohne Vorheizfunktion).

4. Drücken Sie auf den START/SCHNELL START Knopf, um das gesamte Programm zu starten.

HINWEIS:

AUTOMATISCH-AUFTAUEN KOCHEN und AUTOMATISCH KOCHEN und KONVEKTION-KOCHEN MIT VORHEIZEN Funktionen können nicht in einem mehrstufigen Kochprogramm eingestellt werden.

VOREINSTELLUNGSFUNKTION

Diese Funktion ermöglicht es Ihnen, das Kochprogramm später zu starten. Zum Beispiel: Angenommen, die Jetztzeit ist 9:00, und Sie möchten, dass der Ofen um 11:30 mit dem Kochprogramm anfängt.

1. Geben Sie das gewünschte Kochprogramm ein.
2. Drücken Sie einmalig auf den UHR/VOREINSTELLUNG Knopf .
3. Drehen Sie das MENÜ/ ZEIT/ GEWICHT Zifferblatt, um das Stundenziffer auf 11 einzustellen.
4. Drücken Sie einmalig auf den UHR/VOREINSTELLUNG Knopf .
5. Drehen Sie das MENÜ/ ZEIT/ GEWICHT Zifferblatt, um die Minutenziffer auf 30 einzustellen.
6. Drücken Sie einmalig auf START/SCHNELL START.

HINWEIS: Wenn es 11:30 wird, fängt das gewünschte Kochprogramm automatisch an. EXPRESS-KOCHEN und KONVEKTION-KOCHEN MIT VORHEIZUNG Funktionen können nicht voreingestellt werden. Wenn das Programm anfängt zu funktionieren, können Sie auf PAUSE/ABBRECHEN drücken, um den Vorgang abzubrechen.

AUTOMATISCH KOCHEN

Für die folgende Betriebsart brauchen Sie nicht, die Dauer und die Leistung zu programmieren. Es ist ausreichend, den Typ des Essen, das vorbereitet werden soll, und sein Gewicht oder Menge einzugeben.

Schritte:

1. Drücken Sie auf den PAUSE/ABBRECHEN Knopf.
2. Drehen Sie das MENÜ/ ZEIT/ GEWICHT Zifferblatt einmalig gegen den Uhrzeigersinn, danach drehen Sie das MENÜ/ ZEIT/ GEWICHT Zifferblatt rechtsläufig, um das gewünschte Menü zu wählen.
3. Drücken Sie auf den START/SCHNELL START Knopf zu bestätigen.

4. Drehen Sie das MENÜ/ ZEIT/ GEWICHT Zifferblatt , um das Essensgewicht und die Anzahl der Portionen einzugeben.
5. Drücken Sie auf START/SCHNELL START.

Automatisch Kochen Menükarten

Menü-Code	Menü-Kategorie	Hinweise
1	Ofenkartoffeln(230g±10g/je de)	<ol style="list-style-type: none"> 1. Für Kartoffeln und Kaffee wird die Anzahl der Portionen angezeigt, nicht das Gewicht des Lebensmittels 2. Für das Gericht 7 (Hähnchen) können Signale während der Garzeit gehört werden, um den Nutzer zu erinnern, das Essen für ein einheitliches Garen umzudrehen ist .Drücken Sie auf START/SCHNELL START, um fortzusetzen. 3. Für Popcorn und Kuchen, gibt es nur ein Gewicht zu wählen. 4. Für ganze Kartoffeln können Sie es gebrauchen, einen PE Mikrowellen-Frischhaltebeutel während des Kochvorgangs zu benutzen. 5. Für Auto Nachwärmen oder Spagetti müssen Sie während der Garzeit Mikrowellen-Utensilien oder Mikrowellen-Frischhaltefolie benutzen.
2	Kaffee (jeder 200ml)	
3	Popcorn(99g)	
4	Auto Nacherwärmen (g)	
5	Spaghetti (g)	
6	Pizza (g)	
7	Hähnchen(g)	
8	Kuchen(475g)	

Das Ergebniss des Auto-Kochens hängt von solchen Faktoren wie zum Beispiel Stromschwankungen, der Form und der Größe des Essens, Ihren persönlichen Präferenzen für den Garheitsgrad und sogar davon, wie richtig das Essen im Ofen plaziert ist, ab. Wenn Sie mit dem Ergebniss nicht zufrieden sind, passen Sie bitte die Garzeit entsprechend an.

ANDERE PRAKTISCHE FUNKTIONEN

KINDERSICHERUNG

Die Kindersicherung verhindert unbeaufsichtigte Bedienung des Gerätes von kleinen Kindern.

Um die Kindersicherung zu setzen: Drücken Sie auf PAUSE/ABBRECHEN und halten Sie es für 3 Sekunden, danach wird das Signal ertönen und die Leuchtanzeige wird angehen. In dem Sperrzustand sind alle Knöpfe deaktiviert.

Um die Kindersicherung aufzuheben: Drücken Sie auf PAUSE/ABBRECHEN und halten Sie es für 3 Sekunden, danach wird das Signal ertönen und die Leuchtanzeige wird ausgehen.

ENERGIESPARFUNKTION

Drücken Sie auf ENERGIE SPAREN und halten Sie es für 3 Sekunden, danach wird das Signal ertönen und die Bildschirmanzeige wird ausgehen, das System geht in den Energiesparmodus. Drücken Sie auf einen beliebigen Knopf, und der Bildschirm geht wieder an.

EXPRESS-KOCHEN

Benutzen Sie diese Funktion, um die Vorbereitung des Essens in dem Ofen 100% energie günstig zu programmieren. Im Standby-Modus, drücken Sie auf START/SCHNELL START in schneller Folge, um die Garzeit zu bestimmen, der Ofen wird sofort anfangen. Die längste Garzeit, die eingestellt werden kann, beträgt 10 Minuten.

AUTOMATISCHER SCHUTZMECHANISMUS

1. Wenn das System den Superhohtemperatur-Schutzstatus erreicht, zeigt die Digitalanzeige "E01" und führt den Signalton fort, bis das System zu einem normalen Zustand wieder kommt. Drücken Sie danach auf "PAUSE/ABBRECHEN".
2. Wenn das System den Superniedrigtemperatur-Schutzstatus erreicht, zeigt die Digitalanzeige "E02" und führt den Signalton fort, bis das System zu einem normalen Zustand wieder kommt. Drücken Sie danach auf "PAUSE/ABBRECHEN".
3. Das System geht in den Schutzmodus, wenn der Systemsensor offen ist/ einen Kurzschluss hat. Die Digitalanzeige zeigt "E03" und führt den

Signalton fort, bis Sie auf PAUSE/ABBRECHEN drücken. Rufen Sie den Kundenservice an, damit sie den defekten Sensor überprüfen und ersetzen kann.

4. KÜHLUNGS-FUNKTION – Das Kontrollsystem der Mikrowelle hat eine Kühlungs-Funktion. Für jeden Kochmodus, dessen Garzeit mehr als 2 Minuten beträgt, nach dem Beenden des Kochvorgangs, wird die Umluft des Ofens automatisch für ungefähr 3 Minuten angehen, um den Ofen abzukühlen und die Lebensdauer des Gerätes zu verlängern.

REINIGUNG UND PFLEGE

1. Stellen Sie den Ofen ab und entfernen Sie den Stromstecker aus der Steckdose bevor Sie mit der Reinigung des Gerätes beginnen.
2. Halten Sie den Innenraum des Ofens sauber. Essensspritzer und verschüttete Flüssigkeiten, die an den Innenwänden haften, können Sie mit einem feuchten Tuch abwischen. Milde Reinigungsmittel können bei stärkeren Verschmutzungen verwendet werden. Vermeiden Sie den Gebrauch von Spray und anderen aggressiven Reinigern, da sie Flecken oder Streifen bilden oder das Sichtfenster trüben können.
3. Die äußeren Oberflächen sollten mit einem feuchten Tuch gereinigt werden. Um Schäden im Inneren des Gerätes zu vermeiden, darf kein Wasser in die Lüftungsschlitze eindringen.
4. Wischen Sie die Tür und das Sichtfenster von beiden Seiten und auch die Bestandteile des Schließmechanismus regelmäßig mit einem feuchten Tuch um Spritzer und Flecken zu entfernen. Benutzen Sie keine Scheuermittel.
5. Lassen Sie das Bedienfeld niemals nass werden. Reinigen Sie es mit einem weichen, feuchten Tuch. Beim Reinigen des Bedienfeldes lassen Sie die Tür offen, um zu vermeiden, dass der Ofen unbeabsichtigt angeht.
6. Falls sich beim Betrieb Dampf innerhalb der Ofentür bildet, wischen Sie diese mit einem weichen Tuch ab. Dies kann vorkommen, wenn das Gerät bei hoher Luftfeuchtigkeit betrieben wird und ist völlig normal.
7. Es ist gelegentlich notwendig das Glastablett zu entfernen um es zu reinigen. Spülen Sie das Tablett in warmem, seifigem

Wasser oder tun Sie es in die Spülmaschine.

8. Der Roll-Ring und der Boden des Ofens sollten regelmäßig gereinigt werden um Störgeräusche zu vermeiden. Wischen Sie den Boden ganz einfach mit einem milden Reinigungsmittel aus. Der Roll-Ring kann in warmem Seifenwasser oder im Geschirrspüler gewaschen werden. Beim Entfernen des Roll-Ring vergewissern Sie sich, dass er wieder eine richtige Position einnimmt.
9. Entfernen Sie störende Gerüche aus dem Ofen, in dem eine Mikrowellen-feste Schüssel mit Wasser, Zitronensaft und der Schale einer ganzen Zitrone füllen und diese 5 Minuten per Mikrowelle erhitzen. Wischen Sie den Ofen danach mit einem weichen Tuch trocken.
10. Sollte es notwendig sein, das Ofen-Licht zu ersetzen, wenden Sie sich bitte an den Händler oder an einen qualifizierten Techniker.
11. Der Ofen sollte regelmäßig gereinigt und von Essensresten befreit werden. Eine mangelnde Reinigung kann zur Abnutzung der Oberflächen führen, was eine Beeinträchtigung der Lebensdauer des Gerätes zur Folge hat und in gefährlichen Situationen resultieren kann.
12. Bitte entsorgen Sie das Gerät nicht im gewöhnlichen Hausmüll, sondern geben Sie es bei einem geeigneten von der Gemeinde zur Verfügung gestelltem Entsorgungszentrum ab.
13. Wenn der Ofen mit Grill-Funktion zum ersten Mal benutzt wird, kann er eine geringe Rauch- und Geruchsentwicklung aufweisen. Das ist ein normales Phänomen, da der Ofen aus einer mit Schmiröl beschichteten Stahlplatte gemacht ist. Der neue Ofen wird Dämpfe und Gerüche produzieren, die durch Verbrennen des Schmieröls erzeugt werden. Dieses Phänomen wird nach einiger Benutzungsdauer verschwinden.

UMWELT

ACHTUNG:

Werfen Sie nicht dieses Produkt, wie es mit anderen Haushaltsprodukten hat. Es gibt eine Mülltrennung von diesem Produkt in Gemeinden, Sie müssen Ihre lokalen Behörden über die Orte, wo man dieses Produkt zurückgeben können zu informieren. In der Tat enthalten elektrische und elektronische Produkte gefährliche Stoffe, die schädliche Auswirkungen auf die Umwelt oder die menschliche Gesundheit haben und sollte recycelt werden. Das Symbol hier darauf hinweisen, dass elektrische oder elektronische Geräte sollten sorgfältig ausgewählt werden, ist ein fahrbarer Abfallbehälter mit einem Kreuz markiert.



hat. Es gibt eine Mülltrennung von diesem Produkt in Gemeinden, Sie müssen Ihre lokalen Behörden über die Orte, wo man dieses Produkt zurückgeben können zu informieren. In der Tat enthalten elektrische und elektronische Produkte gefährliche Stoffe, die

schädliche Auswirkungen auf die Umwelt oder die menschliche Gesundheit haben und sollte recycelt werden. Das Symbol hier darauf hinweisen, dass elektrische oder elektronische Geräte sollten sorgfältig ausgewählt werden, ist ein fahrbarer Abfallbehälter mit einem Kreuz markiert.

Adeva SAS / H.Koenig Europe - 8 rue Marc Seguin - 77290 Mitry Mory - France
www.hkoenig.com - sav@hkoenig.com - contact@hkoenig.com - Tél: +33 1 64 67 00 01

DUTCH

Lees deze instructies zorgvuldig voor de installatie en ingebruikname van de oven

Bij het gebruik van elektrische apparaten moeten altijd de basis veiligheidsregels worden opgevolgd, waaronder de volgende:

WAARSCHUWING: Om het risico op verbrandingen, elektrische schokken, vuur, verwondingen of blootstelling aan overmatige magnetron straling te verkleinen:

1. Lees alle instructies voor gebruik van het apparaat.
2. Gebruik het apparaat alleen voor het beoogd gebruik zoals beschreven in deze handleiding. Gebruik geen bijtende chemicaliën of dampen in dit apparaat. Dit type oven is specifiek ontworpen om voedsel te verwarmen, koken, of te drogen. Het is niet ontworpen voor industrieel of laboratorium gebruik.
3. Gebruik de oven niet als die leeg is.
4. Gebruik dit apparaat niet als het een beschadigde kabel of stekker heeft, het niet correct werkt of als het beschadigd is of is gevallen. Als de stroomkabel beschadigd is, moet het worden vervangen door de fabrikant, klantenservice, servicemonteur of een gelijkwaardig gekwalificeerd persoon, om gevaren te vermijden.
5. **WAARSCHUWING:** Kinderen mogen de oven alleen zonder toezicht gebruiken als ze voldoende instructies hebben gekregen, zodat het kind de oven kan gebruiken op een veilige manier en begrijpt wat de gevaren zijn van onveilig gebruik.
6. **WAARSCHUWING:** Het is voor iedereen gevaarlijk, behalve een opgeleid persoon, om onderhoud of reparaties uit te voeren, waarbij het nodig is om (een deel van) de behuizing te verwijderen, die bescherming geeft tegen de blootstelling van magnetron straling.
7. Om het risico op vuur in de oven ruimte te verkleinen:
 - a. Bij het opwarmen van voedsel in een plastic of papieren verpakking, houd de oven in de gaten door de mogelijkheid van ontbranding.
 - b. Verwijder de metalen sluitingen van papieren of plastic zakken voor plaatsing in de oven.
 - c. Als er rook wordt geconstateerd, schakel het apparaat uit of haal de stekker eruit. Houd de deur gesloten om mogelijke

vlammen te doven.

- d. Gebruik de ovenruimte niet voor opslag. Laat geen papieren producten, bak hulpmiddelen of voedsel in de ovenruimte als het niet in gebruik is.
8. **WAARSCHUWING:** Vloeistoffen en ander voedsel mogen niet worden verwarmd in een afgesloten verpakking, omdat deze kunnen exploderen.
9. Het opwarmen van een drankje in een magnetron, kan resulteren in een vertraagde kookpunt, daarom altijd voorzichtig zijn met het omgaan van de verpakking.
10. Geen voedsel in de oven frituren. Hete olie kan de oven en keukengerei beschadigen en resulteren in verbrandingen.
11. Eieren in hun schaal en hele hardgekookte eieren mogen niet in de oven worden opgewarmd, omdat ze kunnen exploderen zelfs als het verwarmproces al is afgelopen.
12. Prik gaatjes in voedsel met een harde schil, zoals appels, aardappels, pompoenen en kastanjes voor het opwarmen.
13. De inhoud van zuigflesjes en babyflesjes moet worden geroerd of geschud. En controleer de temperatuur voor het serveren om verbrandingen te vermijden.
14. Keukengerei kan heet worden doordat de hitte van het voedsel wordt doorgegeven. Pannelappen kunnen nodig zijn om het vast te pakken.
15. Bij keukengerei moet worden gecontroleerd of ze geschikt zijn voor gebruik in een magnetron oven.
16. **WAARSCHUWING:** Het is voor iedereen gevaarlijk, behalve een opgeleid persoon, om onderhoud of reparaties uit te voeren, waarbij het nodig is om (een deel van) de behuizing te verwijderen, die bescherming geeft tegen de blootstelling van magnetron straling.
17. Dit product is een Group 2 Class B ISM apparaat. De definitie van Group 2, die omvat alle ISM (Industriële, Wetenschappelijke en Medische) apparaten waarin radiofrequentie straling wordt gegenereerd en/of wordt gebruikt in een vorm van elektromagnetische straling voor de behandeling van materiaal en vonkerosie apparaten. Class B apparaten zijn geschikt voor huishoudelijk gebruik en instellingen aangesloten op een lage

spanning netwerk, die huizen voorziet van stroom voor huishoudelijk gebruik.

18. Dit apparaat is niet bedoeld voor gebruik door personen (inclusief kinderen) met een beperkte lichamelijke of mentale capaciteiten, of een gebrek aan ervaring of kennis, tenzij er toezicht is of instructies hebben gehad van een persoon die verantwoordelijk is voor hun veiligheid.
19. Op kinderen moet toezicht worden gehouden om te verzekeren dat ze niet met het apparaat spelen.
20. De magnetron oven mag alleen vrijstaand gebruikt worden.
21. **WAARSCHUWING:** Plaats de oven niet boven een fornuis, of andere hitte producerende apparaten. Gebeurt dit wel dan wordt verval de garantie.
22. De tastbare buitenkant kan heet worden tijdens gebruik.
23. De magnetron mag niet worden geplaatst in een kast.
24. De deur of de buitenkant kan heet worden als het apparaat gebruikt wordt.
25. De temperatuur van de tastbare buitenkant kan hoog oplopen tijdens gebruik.
26. Het apparaat moet tegen een muur worden geplaatst.
27. Dit apparaat is niet bedoeld voor gebruik door kinderen of personen met een beperkte lichamelijke of mentale capaciteiten, of een gebrek aan ervaring of kennis, tenzij er toezicht is of instructies hebben gehad.
28. Er moet toezicht op kinderen worden gehouden zodat ze niet met het apparaat spelen.
29. **WAARSCHUWING:** Als de deur of de deurafdichtingen beschadigd zijn, mag de oven niet meer gebruikt worden totdat het gerepareerd is door een geschikt persoon.
30. Het is niet de bedoeling dat het apparaat wordt aangestuurd door een externe timer of een ander soort afstandsbediening.
31. De magnetron oven is alleen bedoeld voor huishoudelijk gebruik en niet voor commercieel gebruik.
32. Nooit de afstand houder van de achterkant of zijkanten verwijderen, omdat ze de juiste afstand tot de muur garanderen voor een goede lucht circulatie.

33. Verwijder de draaitafel voordat u het apparaat verplaatst om schades te voorkomen.
34. Let op: Het is gevaarlijk om het apparaat te onderhouden of te repareren door iemand anders dan de specialist, omdat hiervoor de behuizing moet worden verwijderd, die bescherming biedt tegen magnetron straling. Dit geldt ook voor de stroomkabel of de verlichting. Stuur het apparaat in deze gevallen naar onze klantenservice.
35. De magnetron oven is alleen bedoeld voor het ontdooien, koken en stomen van voedsel.
36. Gebruik wanten om opgewarmd voedsel eruit te halen.
37. Let op! Stoom zal ontsnappen bij het openen van deksels of folie.
38. Dit apparaat kan gebruikt worden door kinderen van 8 jaar en ouder en personen met beperkte lichamelijke of mentale capaciteiten, of een gebrek aan ervaring en kennis, als er toezicht is en instructies hebben gehad voor het gebruik van dit apparaat op een veilige manier en de bijbehorende gevaren begrijpen. Kinderen mogen niet met dit apparaat spelen. Het schoonmaken en onderhoud met niet door kinderen worden uitgevoerd, tenzij ze 8 jaar en ouder zijn en er toezicht is.
39. Als er rook ontstaat, schakel het apparaat uit of haal de stekker eruit en houd de deur dicht om vlammen te doven.

**VOORZORGMAATREGELEN OM BLOOTSTELLING AAN OVERMATIGE
MAGNETRON STRALING TE VOORKOMEN**

40.

Probeer niet deze oven te gebruiken met de deur open, omdat dit kan resulteren in schadelijke blootstelling van magnetron straling. Het is belangrijk om niet met de veiligheidsvergrendelingen te knoeien.

41. Plaats geen objecten tussen de voorkant van de oven en de deur. Laat geen viezigheid of schoonmaakmiddel ophopen tussen de afdichtingen.

42. Gebruik de oven niet als het beschadigd is. Het is uitermate belangrijk dat de deur van de oven correct sluit en er geen schade is aan de

- a. Deur (gebogen),
- b. Hang en sluitwerk (gebroken of los),
- c. Deur afdichtingen en afdichting oppervlakken.

43. De oven mag niet worden aangepast of worden gerepareerd, behalve door gekwalificeerd personeel.

SPECIFICATIES*

Stroom Verbruik:	230~240V/50Hz, 1400W (Magnetron)
	2050W (Convectie)
	1250W (Grill)
Vastgesteld Magnetron Verbruik:	900W
Werk Frequentie:	2450MHz
Afmetingen Buitenkant:	376mm(H)×498mm(W)×574mm(D)
Oven Afmetingen: Ruimte	238mm(H)×405mm(B)×351mm(D)
Oven Inhoud:	34Liters
Bak Systeem:	Draaitafel systeem
Netto Gewicht:	Ongeveer 25.4kg

VOORDAT U DE KLANTENSERVICEBELT

Als de oven niet meer werkt:

- a. Controleer dat de oven goed is aangesloten op in het stopcontact. Zo niet, verwijder de stekker uit het stopcontact, wacht 10 seconden en steek hem er goed in.
- b. Controleer of er een zekering uit ligt. Als alles goed lijkt te zijn, probeer het stopcontact met een ander apparaat.
- c. Controleer dat het controle paneel goed is ingesteld en de timer goed is ingesteld.
- d. Controleer dat de deur goed is gesloten en de veiligheidsvergrendeling werkt. Anders blijft de magnetron straling niet in de oven.

ALS GEEN VAN HET BOVENSTAANDE DE SITUATIE VERANDERT, NEEM DAN CONTACT OP MET EEN GEKWALIFICEERDE MONTEUR. PROBEER ZELF NIET IETS AAN TE PASSEN OF TE REPAREREN.

INSTALLATIE

1. Wees er zeker van dat al het verpakkingsmateriaal is verwijderd van de binnenkant van de deur.
2. **WAARSCHUWING:** Controleer de oven voor schades, zoals een slecht uitgelijnde of gebogen deur, beschadigde afdichtingen, gebroken of los hang en sluit werk en let op deuken in de oven ruimte of in de deur. Als er enige schade is, gebruik de oven dan niet en neem contact op met gekwalificeerd personeel.
3. Deze magnetron oven moet worden geplaatst op een vlakke, stabiele ondergrond, die het gewicht inclusief zwaar voedsel kan houden, wat in de oven gebakken kan worden.
4. Plaats de oven niet op een plaats waar hitte, waterdamp of zware luchtvochtigheid wordt gegenereerd, of naast brandbare materialen.
5. Voor correct gebruik, moet de oven een voldoende luchtstroom hebben. Laat 20 cm boven de oven vrij, 10 cm aan de achterkant en 5 cm aan beide zijdes vrij. Niet de openingen blokkeren of afdekken. Niet de poten verwijderen.
6. Gebruik de oven niet zonder de glas plaat, roller ondersteuning en

- schacht op hun correcte posities.
7. Controleer dat de stroomkabel onbeschadigd is niet onder de oven ligt of over hete of scherpe oppervlakken gaat.
 8. Het stopcontact moet goed bereikbaar zijn, zodat het snel kan worden los gemaakt in geval van nood.
 9. Gebruik de oven niet buiten

AARDING INSTRUCTIES

Dit apparaat moet worden geaard. De oven is voorzien met een stroomkabel met een aarde draad en een aarde stekker. Deze moet worden geplaatst in een stopcontact met een correct aangesloten aarde. In het geval van kortsluiting, verkleint de aarde de kans op een elektrische schok, doordat de stroom via de aarde weg kan lopen. Het wordt aangeraden dat de oven op een apart circuit wordt aangesloten. Een hoge spanning is gevaarlijk en kan leiden tot vuur of andere gevaren en kan schade aan de oven tot gevolg hebben.

WAARSCHUWING Incorrect gebruik van de aarde stekker kan leiden op een risico van een elektrische schok.

Notitie:

1. Als u vragen heeft over randaarde of elektrische instructies, raadpleeg een gekwalificeerde elektricien of een servicemonteur.
2. Noch de fabrikant, noch de dealer is aansprakelijk voor schade aan de oven of persoonlijke verwondingen door het negeren van de elektrische aansluiting procedures.

De draden in de stroomkabel zijn gekleurd volgens de volgende code:

Groen en Geel = AARDE

Blauw = NULDRAAD

Bruin = FASEDRAAD

RADIO STORING

Het gebruik van de magnetron oven kan leiden tot storing op uw radio, TV, of vergelijkbare apparatuur.

In geval van storing, kan het worden verminderd of worden opgelost door de volgende maatregelen:

1. Het schoonmaken van de deur en afdichting oppervlak van de oven.
2. Opnieuw uitrichten van de antenne van de radio of televisie.
3. Verplaats de oven ten opzichte van de ontvanger.
4. Verplaats de oven verder weg van de ontvanger.

MAGNETRON KOOK PRINCIPES

5. Steek de stekker van de oven in een ander stopcontact, zodat de oven en de ontvanger op verschillende groepen zitten.

1. Plaats het voedsel zorgvuldig. Plaats de dikste stukken aan de buitenkant van bord.
2. Bekijk de kook tijd. Kook voor de kortst aangegeven tijd en voeg meer tijd toe als het nodig is. Voedsel dat te veel wordt gekookt kan roken of ontbranden.
3. Bedek voedsel tijdens het koken. Een deksel beschermt tegen spetters en laat voedsel gelijk koken.
4. Draai het voedsel een keer om tijdens het opwarmen in de magnetron, zodat voedsel als kip en hamburgers sneller opwarmen. Grote items zoals braadstukken moeten vaker worden omgedraaid.
5. Verplaats voedsel zoals gehaktballen halverwege het koken van boven naar onder en van de binnenkant van het bord naar de buitenkant.

KEUKENGEREI HANDLEIDING

1. Het ideale materiaal voor magnetron keukengeri is transparant voor de magnetron, het laat de straling door het bakje gaan en laat het voedsel opwarmen.
2. Magnetron straling kan niet door metaal heen, dus metaal keukengeri of borden met een metalen afwerking mogen niet worden gebruikt.
3. Gebruik geen gerecycled papieren producten in de magnetron, omdat

deze mogelijk metalen fragmenten bevatten die vonken en/of vuur kunnen veroorzaken.

4. Ronde/ovale borden in plaats van vierkant/hoekige worden aanbevolen, omdat voedsel in de hoeken vaak overbakken wordt.

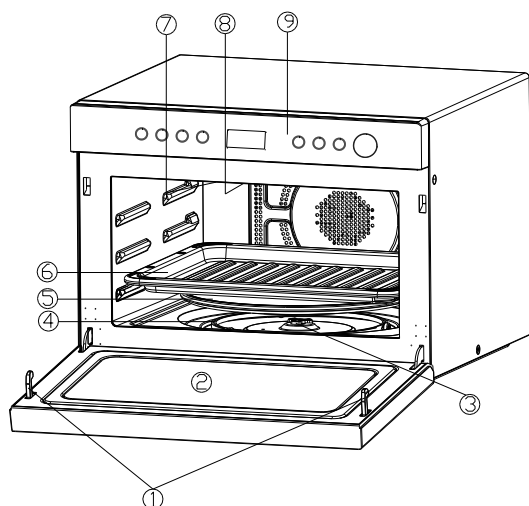
5. Kleine reepjes aluminium folie kan worden gebruikt om overbakken tegen te gaan van sommige gebieden. Maar wees voorzichtig, gebruik niet teveel en houd afstand 1 inch (2.54cm) tussen de folie en de ruimte.

De lijst hieronder is een algemene richtlijn om het juiste keukengerei uit te kiezen.

Kookgerei	Magnetron	Grill	Convectie	Combinatie*
Hitte Bestendig Glas	Ja	Ja	Ja	Ja
Niet Hitte Bestendig Glas	Nee	Nee	Nee	Nee
Hitte Bestendig Keramiek	Ja	Ja	Ja	Ja
Magnetron Veilige Plastic Schaal	Ja	Nee	Nee	Nee
Keuken Papier	Ja	Nee	Nee	Nee
Metalen Schaal	Nee	Ja	Ja	Nee
Metalen Rooster	Nee	Ja	Ja	Nee
Aluminium Folie en Bakjes	Nee	Ja	Ja	Nee

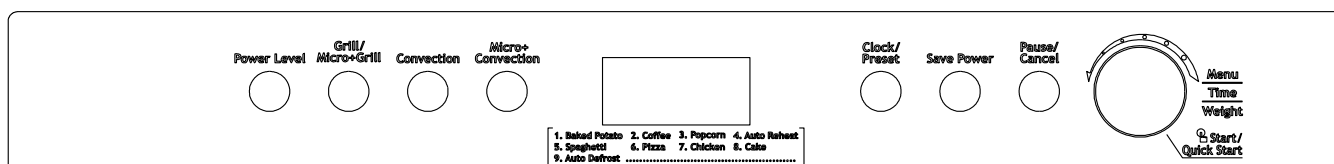
* Combinatie: geschiktheid voor beide "magnetron+ grill", en "magnetron+ convectie" koken.

ONDERDELEN



1. Deur Veiligheidsvergrendeling
2. Oven Raam
3. Schaft
4. Roller Ring
5. Glazen Schaal
6. Bak Plaat
7. Straling Geleider (Niet de mica plaat verwijderen die de straling geleider bedekt)
8. Grill Heater
9. Controle Paneel

CONTROLE PANEEL



DISPLAY SCHERM

Kook tijd, stand, indicatoren en huidige tijd worden getoond.

POWER LEVEL

Druk om het vermogen van de magnetron te kiezen.

GRILL/MICRO + GRILL

Druk om een grill programma of een combinatie kook stand met magnetron en grill.

CONVECTIE

Druk om de convectie temperatuur in te stellen.

MICRO+CONVECTION

Druk om een van de vier combinatie kook standen te kiezen met magnetron en convector.

CLOCK/PRESET

Druk om de oven klok in stellen.

SAVE POWER

Druk om de bespaar stand van de oven in te stellen.

PAUSE/CANCEL

Druk om het programma te stoppen of alle ingevoerde instellingen te wissen. Druk een keer om het tijdelijk te stoppen, of twee keer om helemaal te stoppen.

Het kan ook worden gebruikt als een kinderslot.

MENU/TIME/WEIGHT (keuze)

Draai om een kook menu te kiezen of om de tijd en voedsel gewicht in te voeren.

START/QUICK START (de keuze)

Druk om het programma te starten of snel kook programma te starten.

(Bekijk ook de volgende pagina's voor meer informatie)

HOE DE OVEN IN TE STELLEN

PIEPJES TIJDENS HET INSTELLEN

- EEN PIEPJE: De oven accepteert de ingave.
- TWEE PIEPJES: De oven accepteert in ingave niet. Controleer het en probeer het opnieuw.

DE KLOK INSTELLEN

De oven loopt in een 24-uur cyclus, stel de tijd in door de CLOCK/PRESET knop te gebruiken.

Als u bijvoorbeeld 8:30 wilt instellen.

Stappen:

1. Druk de PAUSE/CANCEL knop.
2. Druk de CLOCK/PRESET knop,
3. Draai de MENU/TIME/WEIGHT draaiknop totdat de 8 wordt getoond.
4. Druk de CLOCK/PRESET knop eenmaal.
5. Draai de MENU/TIME/WEIGHT draaiknop totdat 30 wordt getoond.
6. Druk de CLOCK/PRESET knop eenmaal om te bevestigen.

Opmerking: tijdens het bakproces, druk op CLOCK/PRESET om de huidige tijd te bekijken.

MAGNETRON KOKEN

De langste kooktijd is 95 minuten.

Magnetron koken geeft u de mogelijkheid om het vermogen en de tijd in te stellen. Druk op POWER LEVEL tijdens het koken om het vermogen te controleren.

Druk POWER LEVEL om een ander vermogen te kiezen		
Druk	Vermogen	Omschrijving
eenmaal	100%(P100)	Hoog
Twee keer	90%(P-90)	
3 keer	80%(P-80)	
4 keer	70%(P-70)	Gemiddeld Hoog
5 keer	60%(P-60)	
6 keer	50%(P-50)	Gemiddeld
7 keer	40%(P-40)	
8 keer	30%(P-30)	Gemiddeld Laag Ontdooien
9 keer	20%(P-20)	
10 keer	10%(P-10)	Laag
11 keer	0%(P-00)	

Stel, u wilt 5 minuten koken met 60% vermogen.

Stappen:

1. Druk de PAUSE/CANCEL knop.
2. Druk de POWER LEVEL knop meermaals totdat P-60 verschijnt.
3. Draai de MENU/TIME/WEIGHT draaiknop totdat de gewenste kook tijd wordt getoond.
4. Druk de START/QUICK START om te starten.

NOTITIE:

1. Als u tijdelijk wilt stoppen met koken, druk op PAUSE/CANCEL knop eenmaal en u kunt weer verder gaan door op START/QUICK START te drukken; of druk op PAUSE/CANCEL twee keer om helemaal te stoppen.
2. Nadat het programma is afgelopen, zal de luidspreker iedere 2 minuten gaan piepen en END wordt getoond op het scherm, druk op een knop of open de deur om het te laten stoppen en voordat u een andere programma kiest. (Zowel notitie 1 en 2 zijn ook beschikbaar bij andere kook programma's.)

GRILL BAKKEN

De langste bak tijd is 95 minuten.

Grill bakken is vooral handig voor dunne lappen vlees, biefstuk, karbonades, kebabs, worst en stukken kip. Het is ook geschikt voor warme broodjes en gegratineerde gerechten.

Stel u wilt grillen voor 12 minuten.

Stappen:

1. Druk de PAUSE/CANCEL knop.
2. Druk eenmaal op GRILL/MICRO+GRILL.
3. Draai de MENU/TIME/WEIGHT draaiknop om de baktijd te tonen.
4. Druk de START/QUICK START om te starten.

GRILL + MICROWAVE

De langste baktijd is 95 minuten.

Deze optie laat u de grill en magnetron combineren op twee verschillende standen. Eerst druk op GRILL/MICRO+GRILL om de geschikte combinatie stand te kiezen, vervolgens, op het scherm, de gewenste baktijd instellen door de draaiknop MENU/TIME/WEIGHT te gebruiken. Nadat u op de START/QUICK START knop drukt, begint het systeem met het aftellen. Tijdens het bakken kunt u op GRILL/MICRO+GRILL drukken om de combinatie te controleren.

COMBINATIE 1

30% van de gehele tijd voor magnetron bakken, 70% voor grill bakken. Te gebruiken voor vis of gegratineerde gerechten.

Stel u wilt combinatie 1 gebruiken voor 25 minuten.

Stappen:

1. Druk de PAUSE/CANCEL knop.
2. Druk de GRILL/MICRO+GRILL knop twee keer.

3. Draai de MENU/TIME/WEIGHT draaiknop om de baktijd te kiezen.
4. Druk op START/QUICK START.

COMBINATIE 2

55% van de gehele tijd voor magnetron bakken, 45% voor grill bakken. Te gebruiken voor het maken van pudding, omeletten, gebakken aardappelen en gevogelte.

Stel u wilt combinatie 2 gebruiken voor 12 minuten.

Steps:

1. Druk de PAUSE/CANCEL knop.
2. Druk de GRILL/MICRO+GRILL knop drie keer.
3. Draai de MENU/TIME/WEIGHT draaiknop om de baktijd te kiezen.
4. Druk op START/QUICK START.

CONVECTIE BAKKEN

De langste baktijd is 9 uur en 30 minuten. Tijdens convectie bakken wordt hete lucht gecirculeerd door de oven ruimte om voedsel snel, gelijkmatig, bruin en knapperig te laten worden. Deze oven kan worden ingesteld op tien verschillende bak temperaturen. Het zijn: 110°C→200°C

Hoe Bakken met Convectie

Druk op CONVECTION een aantal keer om de convectie temperatuur te kiezen.

Stel u wilt voedsel bakken op 170°C voor 40 minuten.

Stappen:

1. Druk de PAUSE/CANCEL knop.
2. Druk de CONVECTION knop om de gewenste temperatuur te kiezen.
3. Draai de MENU/TIME/WEIGHT draaiknop totdat de juiste baktijd wordt getoond.
4. Druk op START/QUICK START.

NOTITIE:

U kunt de convectie temperatuur tijdens het bakken controleren door op de CONVECTION knop te drukken.

Voor Verwarmen en Bakken met Convectie

Uw oven kan worden ingesteld om voor verwarmen en convectie bakken te combineren.

Stel, u wilt u voor verwarmen tot 150°C en dan bakken voor 35 minuten.

Stappen:

1. Druk op de PAUSE/CANCEL knop.
2. Druk op CONVECTION om de voor verwarm temperatuur in te stellen.
3. Druk op START/QUICK START. Als de oven de gewenste temperatuur bereikt, zal het iedere 5 seconden gaan piepen.
4. Open de deur en plaats het voedsel in het midden van de glazen schaal.
5. Draai de MENU/TIME/WEIGHT draaiknop totdat de gewenste baktijd wordt getoond.
6. Druk op START/QUICK START.

MAGNETRON+CONVECTIE

De langste baktijd is 9 uur en 30 minuten. De oven heeft drie voorgeprogrammeerde instellingen die het makkelijk maken om automatisch te bakken met convectie en de magnetron. Druk op MICRO+CONVECTION om de gewenste convectie temperatuur te kiezen:

	Oven temperatuur(°C)
COMB1	110
COMB2	140
COMB3	170

Stel, u wilt een cake bakken voor 26 met COMB3.

Stappen:

1. Druk op de PAUSE/CANCEL knop.
2. Druk op de MICRO+CONVECTION knop op stand 170°C.
3. Draai de MENU/TIME/WEIGHT draaiknop totdat de gewenste baktijd wordt weergegeven.
4. Druk op START/QUICK START om te starten.

NOTITIE:

U kunt de convectie temperatuur tijdens het bakken controleren door op de MICRO+CONVECTIE knop te drukken.

AUTOMATISCH ONTDOOIEN

Het automatische ontdooi programma laat de oven het bevroren voedsel ontdooien gebaseerd op het gewicht dat de gebruiker invoert.

Het gewicht van het voedsel dat ontdooit kan worden ligt tussen 100g en 1800g.

Stel, u wilt 600g voedsel ontdooien.

1. Druk op de PAUSE/CANCEL knop.
2. Draai de MENU/TIME/WEIGHT draaiknop tegen de klok in naar ontdooi code 9.
3. Druk op START/QUICK START om te bevestigen.
4. Draai de MENU/TIME/WEIGHT draaiknop om het gewicht van het voedsel in te stellen.
5. Druk op START/QUICK START om te starten.

NOTITIE:

Tijdens het ontdooi proces, zal de luidspreker gaan piepen om de gebruiker te herinneren het voedsel om te draaien. Sluit hierna de deur en druk op START/QUICK START om verder te gaan met ontdooien.

MEERDERE STAPPEN BAKPROCES

Uw oven kan worden geprogrammeerd tot 3 automatisch opvolgende bakprocessen. Sommige recepten hebben mogelijk een meerder stappen bakproces nodig inclusief het ontdooien van voedsel.

Stel, u wilt het volgende bak programma instellen.

Magnetron bakken



Convectie bakken (zonder voor verwarming)

Stappen:

1. Druk op de PAUSE/CANCEL knop.
2. Voer een stand van het Magnetron programma in zonder te drukken op START/QUICK START.
3. Voer een stand van het Convectie programma in (zonder de voor verwarm functie)
4. Druk op START/QUICK START om het hele programma te starten.

Notitie:

AUTOMATISCH ONTDOOIEN en AUTO BAKKEN, SNEL BAKKEN en CONVECTIE BAKKEN MET VOOR VERWARMING functies kunnen niet worden gebruikt in het meerdere stappen bakproces.

VOORAF INGESTELDE PROGRAMMA

Met deze functie kunt u programma invoeren en op een later moment uitvoeren.

Bijvoorbeeld: Stel, de huidige tijd is 9:00 en u wilt het programma starten op 11:30.

1. Voer het gewenste programma in.
2. Druk eenmaal op CLOCK/PRESET.
3. Draai de MENU/TIME/WEIGHT draaiknop om de uren in stellen op 11.
4. Druk eenmaal op CLOCK/PRESET.
5. Draai de MENU/TIME/WEIGHT draaiknop om de minuten in stellen op 30.
6. Druk eenmaal op START/QUICK START.

NOTITIE: Als het 11:30 wordt, start het gewenste programma automatisch. SNEL BAKKEN en CONVECTIE BAKKEN ZONDER VOORVERWARMEN kunnen niet van te voren worden ingesteld. Als deze functie is begonnen, kunt u het annuleren door op PAUSE/CANCEL te drukken.

AUTOMATISCH BAKKEN

Voor de volgende bak stand, is het niet noodzakelijk om de tijd en het vermogen in te stellen. Het is voldoende om aan te geven wat voor voedsel u wilt opwarmen en wat het gewicht is of het aantal.

Stappen:

1. Druk op de PAUSE/CANCEL knop.
2. Draai de MENU/TIME/WEIGHT draaiknop eenmaal tegen de klok in en draai de MENU/TIME/WEIGHT draaiknop met de klok mee om het bak menu te kiezen.
3. Druk START/QUICK START om te bevestigen.
4. Draai de MENU/TIME/WEIGHT draaiknop om het gewicht of het aantal porties aan te geven.
5. Druk op START/QUICK START om te starten.

Automatisch Bak Menu's :

Menu code	Menu categorie	Opmerkingen
1	Gebakken Aardappel(230g±10 g/elk)	1. Voor aardappelen en koffie, zal het scherm het aantal porties tonen en niet het gewicht. 2.Voor voedsel 7 (kip), zullen er piepjes klinken tijdens het bakken om te herinneren dat de gebruiker het voedsel om moet draaien, zodat het gelijk opwarmt. Druk START/QUICK START om te hervatten. 3.Voor popcorn en cake is er maar een gewicht om te kiezen. 4.Voor een hele aardappel, heeft u misschien een magnetron houd-vers PE zak nodig bij het bakken. 5.Voor opnieuw opwarmen of spaghetti, heeft u misschien keukengerei of magnetron folie nodig tijdens het bakken.
2	Koffie (elk 200ml)	
3	Popcorn(99g)	
4	Auto Opnieuw opwarmen (g)	
5	Spaghetti (g)	
6	Pizza (g)	
7	Kip(g)	
8	Cake(475g)	

Het resultaat van automatisch bakken hangt af van factoren zoals spanning fluctuatie, de vorm en gewicht van het voedsel en zelfs hoe u het voedsel heeft geplaatst in de oven. Als u niet tevreden bent met het resultaat,

ANDERE HANDIGE OPTIES

verleng de baktijd dan een heel klein beetje.

KINDERSLOT

Het kinderslot beschermt tegen gebruik door kleine kinderen zonder toezicht. Om het kinderslot in te stellen: Druk en houd PAUSE/CANCEL 3 seconden ingedrukt, er zal een piepje klinken en een groene indicator zal gaan branden. In deze stand zijn alle knoppen onbruikbaar. Om het kinderslot te verwijderen: Druk en houd PAUSE/CANCEL 3 seconden ingedrukt en een piepje zal klinken en de indicator zal stoppen met branden.

STROOMBESPARING FUNCTIE

Druk en houd de SAVE POWER knop ingedrukt voor 3 seconden, een piepje

zal klinken en het scherm wordt uitgeschakeld, het systeem gaat in een stroombesparing stand. Druk op een willekeurige knop en het scherm gaat weeraan.

SNEL BAKKEN

Gebruik deze stand om de magnetron het voedsel op 100% stand te verwarmen. In de stand-by stand druk op START/QUICK START snel achter elkaar om de tijd in te stellen. De oven begint meteen. De maximaal instelbare tijd is 10 minuten.

AUTOMATISCH PROTECTIE MECHANISME

1. Als het systeem in de super hoge temperatuur protectie stand gaat, toont het scherm "E01" en blijft het piepen totdat het systeem terug gaat in normale stand, druk dan op "PAUSE/CANCEL".
2. Als het systeem in de super lage temperatuur protectie stand gaat, toont het scherm "E02" en blijft het piepen totdat het systeem terug gaat in normale stand, druk dan op "PAUSE/CANCEL".
3. Het systeem gaat in protectie stand als de systeem sensor is Open / Kort Gesloten. Het scherm toont "E03" en blijft piepen tot u op "PAUSE/CANCEL" drukt. Bel de klantenservice om de sensor te controleren/te vervangen.
4. KOELING OPTIE—Het controle systeem van de magnetron oven heeft een optie om af te koelen. Bij iedere opwarmfunctie langer dan 2 minuten, gaat na afloop van het bakken de ventilator van de oven automatisch ongeveer 3 minuten aan, om de oven af te koelen, zodat de levensduur wordt vergroot.

SCHOONMAKEN EN ONDERHOUD



1. Schakel de oven uit en haal de stekker uit het stopcontact voor het schoonmaken.
2. Houd de binnenkant van de oven schoon. Als voedsel spettert of vloeistoffen worden gemorst tegen de ovenwand, veeg het schoon met een vochtige doek. Milde schoonmaakmiddelen kunnen worden gebruikt als de oven zeer smerig is. Vermijd spuitbussen en andere agressieve schoonmaakmiddelen, omdat ze vlekken, strepen of dofheid kunnen veroorzaken.
3. De buitenkant kan worden schoon gemaakt met een vochtige doek. Om inwendige schade aan de oven te vermijden mag er geen water in de ventilatieopeningen naar binnen lopen.
4. Veeg de deur en raam aan beide zijden schoon, evenals de deur afdichtingen en aanliggende delen met een vochtige doek om spetters en knoeien te verwijderen. Gebruik geen agressief schoonmaakmiddel.
5. Laat het controle paneel niet nat worden. Maak het schoon met een zachte vochtige doek. Tijdens het schoonmaken van het paneel, laat de deur dan los, zodat de oven niet per ongeluk aan gaat.
6. Als er damp ophoopt aan de binnenkant of aan de buitenkant van de oven deur, veeg het schoon met een zachte doek. Dit kan gebeuren als de magnetron wordt gebruikt in een vochtige omgeving. Dit is normaal.
7. Het is regelmatig nodig om de glazen schaal te verwijderen om het te kunnen schoonmaken. Was het in een warm sopje of in de vaatwasser.
8. De roller ring en oven bodem moet regelmatig worden schoon gemaakt om onnodig geluid te vermijden. Veeg de bodem van de oven schoon met een mild schoonmaakmiddel. De roller kan worden gewassen in een sopje of in de vaatwasser. Als u de roller ring verwijderd plaats het dan op dezelfde manier weer terug.
9. Verwijder geuren uit de oven door het combineren van een kop water met het sap en vel van een citroen in een diepe magnetron bestendige schaal, zet de magnetron aan voor 5 minuten. Veeg

het daarna schoon met een zachte doek.

10. Als het nodig is om de ovenlamp te vervangen, neem contact op met de dealer om het te vervangen.
11. De oven moet regelmatig schoongemaakt worden en voedselresten moeten worden verwijderd. Als dit niet gebeurt kan het leiden tot aantasting van het oppervlak, wat weer kan leiden tot een mindere levensduur en mogelijk een gevaarlijke situatie.
12. Gooi het apparaat niet weg bij het normale afval, het moet worden afgevoerd bij de afvalstraat die wordt aangegeven door uw gemeente.
13. Als de magnetron oven met grill functie de eerste keer wordt gebruikt, kan het licht roken en ruiken. Dit is een normaal fenomeen, omdat de oven is gemaakt van een stalen plaat met een coating op olie gebaseerd. Dit fenomeen verdwijnt nadat het vaker is gebruikt.

MILIEU

ATTENTIE:

Dit apparaat mag niet met uw ander huishoudelijke toestellen worden verwijderd. Dit product moet op een geselecteerde stortplaats  verwijderd worden. U kunt bij de gemeente een indiceerde plaats  aanvragen. Elektrisch en elektronische producten kunnen gevaarlijke stoffen inhouden die schadelijk zijn voor mensen en het milieu en moet recycled worden. Het symbool aan de kant geeft aan dat het een elektrisch en elektronisch toestel is en zijn dus artikelen van een selectieve collectie. Het beeld geeft een afvalbak met een X teken aan.

ESPAÑOL

Lea detalladamente las instrucciones en este manual antes de instalar y utilizar el horno.

Al usar un electrodoméstico se deben tener en cuenta ciertas precauciones básicas de seguridad, incluyendo las siguientes:

ADVERTENCIA: Para reducir el riesgo de quemaduras, choques eléctricos, incendios, lesiones personales o la exposición a energías de microondas excesivas:

1. Lea todas las instrucciones antes de usar el aparato.
2. Use este aparato sólo para los fines previstos en este manual. No use productos químicos corrosivos o vapores en este aparato. Este tipo de horno está diseñado específicamente para calentar, cocinar o secar alimentos. No está previsto para usos industriales ni de laboratorio.
3. No utilice el horno con su cavidad vacía.
4. No use este aparato si su cable de alimentación o enchufe están dañados, si no está funcionando correctamente, está en mal estado o se ha caído. Si el cable de alimentación está deteriorado deberá ser remplazado por el fabricante, su personal técnico o un especialista similar para evitar riesgos potenciales.
5. **ADVERTENCIA:** Los niños pueden utilizar el horno sin supervisión adulta única y exclusivamente cuando hayan sido debidamente instruidos en el uso seguro del aparato y entiendan los peligros a los que conlleva su uso indebido.
6. **ADVERTENCIA:** Es peligroso permitir que alguien que no sea un especialista calificado realice cualquier servicio o reparación que implique retirar cualquiera de las cubiertas que protegen contra la exposición a la energía de microondas.
7. Para reducir el riesgo de incendio dentro de la cavidad del horno:
 - a) Cuando caliente alimentos en envases de papel o plásticos, verifique regularmente el horno para prevenir una posible combustión.
 - b) Retire las torceduras de alambre de las bolsas de papel o de plástico antes de introducir las en el horno.
 - c) Si observa humo, apague el aparato inmediatamente o desenchúfelo del tomacorriente y mantenga su puerta cerrada para extinguir posibles llamas.

d) No use la cavidad del horno como local de almacenamiento. No deje productos de papel, utensilios de cocina o alimentos dentro de la cavidad cuando no esté en uso.

8. **ADVERTENCIA:** No debe calentar líquidos u otros alimentos en recipientes cerrados ya que estos son propensos a explotar.
9. Las bebidas calentadas por microondas pueden hervir repentinamente incluso después de haberlas sacado del horno, por lo tanto, tenga cuidado al manipular el recipiente.
10. No utilice el horno para freír alimentos. El aceite caliente puede dañar los componentes y accesorios del horno e incluso provocar quemaduras en la piel.
11. Los huevos enteros con cáscara, naturales o duros, no se deben calentar en hornos de microondas ya que pueden explotar incluso después de haberlos sacado del horno.
12. Alimentos de cáscara áspera como las patatas, calabazas enteras, manzanas y castañas deben ser perforados antes de su cocción.
13. Debe agitar o sacudir el contenido de biberones y frascos para bebés antes de servirlo, así como verificar su temperatura para evitar quemaduras.
14. Los utensilios de cocina pueden calentarse debido al calor transferido por los alimentos calentados. Puede necesitar agarraderas para manipular el utensilio.
15. Asegúrese de que los utensilios que usa en el aparato sean adecuados para el uso en hornos de microondas.
16. Este horno es un equipo ISM del Grupo 2 Clase B. La definición del Grupo 2 incluye a todos los equipos ISM (Industrial, Científico y Médico) que generan energía de radiofrecuencias intencionalmente y/o la utilizan en forma de radiación electromagnética para el tratamiento de materiales y en equipos de soldadura por arco. Por ser de la Clase B, el equipo es adecuado para el uso en establecimientos domésticos y en locales conectados directamente a una red eléctrica de baja tensión que abastezca instalaciones utilizadas para fines domésticos.
17. Este aparato no debe ser usado por personas (incluyendo niños) con discapacidad física, sensorial o motora, o con falta de experiencia y conocimiento, a menos que sean supervisadas o

hayan sido instruidas para el uso seguro del aparato por una persona responsable por su seguridad.

18. Mantenga a los niños sobre vigilancia para garantizar que no jueguen con el aparato.
19. El horno de microondas sólo es usado de forma independiente.
20. **ADVERTENCIA:** No instale el horno sobre una cocina, anafe u otro artefacto que produzca calor. De hacerlo, el horno podría dañarse y usted perdería los derechos de la garantía.
21. El horno de microondas no debe ser colocado en un closet o armario.
22. La puerta o la superficie exterior del horno pueden estar muy calientes cuando el aparato esté en uso.
23. Las superficies accesibles cercanas al horno pueden estar muy calientes cuando el aparato esté en uso.
24. El aparato debe ser instalado contra una pared.
25. **ADVERTENCIA:** Si la puerta o los sellos de la puerta están dañados, es imperativo que no utilice el horno hasta que sea reparado por una persona competente.
26. Las instrucciones enfatizan en que ningún electrodoméstico, incluyendo a este horno, está diseñado para ser utilizado mediante un temporizador externo ni por un sistema de control remoto.
27. El horno de microondas es exclusivamente para uso doméstico y no debe ser utilizado con fines comerciales.
28. Nunca retire el soporte separador de la parte trasera o en los laterales. Estos garantizan la distancia mínima entre el aparato y la pared para una buena circulación de aire.
29. Asegure la bandeja de vidrio antes de mover el aparato para evitar que se dañe.
30. **PRECAUCIÓN:** Es peligroso que alguien que no sea un especialista repare o le de mantenimiento al aparato porque en estas circunstancias hay que retirar la cubierta de protección contra la radiación de microondas.
31. Esto también se aplica al reemplazo del cable de alimentación o la bombilla.
32. En esos casos, lleve el aparato a nuestro centro de servicios técnicos.

33. El horno de microondas está previsto únicamente para descongelar, cocinar y vaporizar alimentos.
34. Use guantes para retirar cualquier alimento caliente del horno.
35. **PRECAUCIÓN:** Se desprende vapor al abrir las tapas o las envolturas de papel.
36. Este aparato puede ser utilizado por niños mayores de 8 años y personas con discapacidad física, sensorial o motora, o con falta de experiencia y conocimiento, siempre que sean supervisados o hayan sido debidamente instruidos en el uso seguro del aparato y entiendan los peligros involucrados.
37. No permita que los niños realicen la limpieza ni el mantenimiento del aparato a menos que tengan 8 años o más y estén bajo la supervisión de un adulto.

<p style="text-align: center;">PRECAUCIONES PARA EVITAR LA EXPOSICIÓN EXCESIVA A LA ENERGÍA DE MICROONDAS</p>
--

38. No intente usar este horno con la puerta abierta ya que esto puede ocasionar una exposición perjudicial a la energía de microondas. Es importante no quebrar, obstruir ni retirar los cierres de seguridad.
39. No coloque ningún objeto entre la puerta y el frente de la cavidad del horno, ni permita que la suciedad o residuos de productos de limpieza se acumulen en las superficies de cierre.
40. No utilice el horno si está dañado. Es particularmente importante que la puerta del horno cierre correctamente y que no hayan daños en:
 - a) Puerta (desalineada o doblada)
 - b) Bisagras y pestillos (rotos o sueltos)
 - c) Sellos de la puerta y superficies de cierre.
41. El horno no debe ser ajustado ni reparado por alguien que no sea del personal técnico debidamente calificado para ello.

ESPECIFICACIONES

Consumo de energía	230~240 V, 50 Hz, 1400 W (Microondas)
	2050 W (Convección)
	1250 W (Parrilla)
Potencia de salida de microondas	900 W
Frecuencia de operación	2450 MHz
Dimensiones exteriores	376 mm (H) × 498 mm (A) × 574 mm (P)
Dimensiones de la cavidad del horno	238 mm (H) × 405 mm (A) × 351 mm (P)
Capacidad del horno	34 Litros
Uniformidad de cocción	Sistema giratorio
Peso neto	Aproximadamente 25,4 kg

ANTES DE LLAMAR AL CENTRO DE ASISTENCIA

Si el horno deja de funcionar:

1. Compruebe que el horno esté bien enchufado. Si no lo está, retire el enchufe del tomacorriente, espere 10 segundos y vuelva a enchufarlo que quede bien ajustado.
2. Compruebe si hay un fusible quemado o algún disyuntor disparado en el circuito principal. Si estos parecen estar funcionando correctamente, pruebe el tomacorriente con otro aparato.
3. Compruebe que el panel de control del horno esté programado correctamente y que el temporizador esté configurado.
4. Compruebe que la puerta esté bien cerrada con su sistema de cierre de seguridad. De lo contrario, la energía de las microondas no llegará a la cavidad el horno.

SI NINGUNA DE ESTAS ACCIONES REMEDIA LA SITUACIÓN, ENTONCES PROCURE A UN TÉCNICO CALIFICADO. NO INTENTE AJUSTAR O REPARAR EL HORNO POR USTED MISMO.

INSTALACIÓN

1. Asegúrese de retirar todo el material de embalaje dentro de la cavidad del horno.
2. **ADVERTENCIA:** Verifique que el horno no esté dañado, por ejemplo: puerta desalineada o doblada, daños en los sellos de la puerta y superficies de cierre, bisagras y pestillos de la puerta rotos o sueltos y abolladuras dentro de la cavidad o en la puerta. Si percibe algún daño, no utilice el horno y póngase en contacto con el personal técnico calificado.
3. Este horno de microondas debe colocarse sobre una superficie plana y estable, que soporte su peso en conjunto con los alimentos más pesados que pretenda cocinar en el horno.
4. No coloque el horno en sitios donde pueda producirse calor o humedad, ni cerca de materiales inflamables.
5. El horno debe recibir un buen flujo de aire para que funcione correctamente. Deje un espacio de 20 cm encima del horno, 10 cm en la parte trasera y 5 cm en los laterales. No cubra ni obstruya los conductos de ventilación del aparato. No le quite las patas de apoyo.
6. No utilice el horno sin la bandeja de vidrio, el aro giratorio y el eje debidamente acomodados en sus posiciones.
7. Asegúrese de que el cable de alimentación no esté dañado y que no pase por debajo del horno ni sobre superficies calientes o con bordes afilados.
8. El tomacorriente para la conexión eléctrica tiene que estar en un lugar de fácil acceso para que pueda desenchufar el aparato rápidamente en caso de emergencia.
9. No utilice el horno a la intemperie.

INSTRUCCIONES DE CONEXIÓN A TIERRA

Este aparato tiene que estar conectado a tierra. El cable de alimentación del aparato tiene un enchufe de tres terminaciones, una de las cuales es para la conexión a tierra. Este cable debe ser enchufado a un tomacorriente de pared correctamente instalado y conectado a tierra. En caso de cortocircuito, la conexión a tierra reduce el riesgo de descargas eléctricas gracias al cable de escape para la corriente. Se recomienda conectar el horno a un ramal eléctrico independiente. Es muy peligroso conectar el aparato a voltajes superiores al indicado en la placa de características, esto puede provocar un incendio u otro accidente perjudicial para el horno.

ADVERTENCIA: El uso incorrecto de la terminación del enchufe para la conexión a tierra puede provocar un choque eléctrico.

Nota:

1. Si tiene alguna duda sobre las instrucciones para la conexión eléctrica o aterramiento, consulte a un electricista calificado o al personal técnico correspondiente.
2. El fabricante y el distribuidor están exentos de cualquier responsabilidad por daños al horno o lesiones personales que resulten del incumplimiento de los procedimientos establecidos para la conexión eléctrica del aparato.

Los alambres por dentro del cable de alimentación obedecen al siguiente código de colores:

Verde y Amarillo = TIERRA

Azul = NEUTRO

Marrón = VIVO

INTERFERENCIAS DE RADIO

El funcionamiento del horno de microondas puede causar interferencias en las señales de radio, televisión o equipos similares.

Cuando hayan interferencias, usted puede reducirlas o eliminarlas llevando a cabo las siguientes acciones:

1. Limpie la puerta y las superficies de cierre del horno.
2. Cambie la orientación de la antena de su radio o televisor.
3. Cambie la posición del horno de microondas con respecto al equipo receptor.

4. Aleje al horno de microondas del equipo receptor.
5. Enchufe el horno de microondas en otro tomacorriente de forma tal que el horno y el equipo receptor estén conectados a ramales eléctricos diferentes.

PRINCIPIOS DE COCCIÓN CON MICROONDAS

1. Acomode los alimentos apropiadamente. Coloque las partes más gruesas hacia el borde del plato.
2. Esté atento al tiempo de cocción. Cocine por el menor tiempo sugerido según el tipo de alimento y prolongue la cocción cuando sea necesario. Los alimentos pasados de cocción pueden generar humo o incendiarse.
3. Cubra los alimentos durante la cocción. Esto evita salpicaduras y ayuda a que los alimentos se cocinen uniformemente.
4. Voltee los alimentos una vez durante la cocción con microondas, esto acelera la cocción de alimentos como pollo y hamburguesas. Piezas grandes como los asados se deben voltear por lo menos una vez.
5. Reacomode alimentos como albóndigas a la mitad del tiempo de cocción, tanto de arriba hacia abajo como desde el centro del plato hacia fuera.

GUÍA DE UTENSILIOS

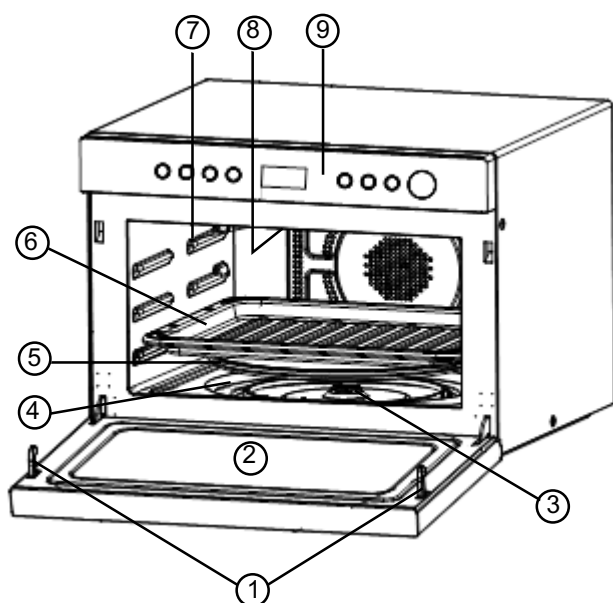
1. El material ideal para un utensilio de microondas es transparente a las microondas, es decir, permite que la energía pase a través del envase y caliente a los alimentos.
2. Las microondas no pueden penetrar el metal, por lo tanto, no debe utilizar utensilios de metal ni platos con ribetes metálicos.
3. No utilice productos de papel reciclado para la cocción con microondas, estos pueden contener pequeños fragmentos de metal y pueden provocar chispas o incendios.
4. Se recomienda el uso de platos redondos/ovalados en lugar de recipientes cuadrados/rectangulares ya que en estos últimos los alimentos se pueden pasar del punto de cocción en las esquinas.
5. Puede usar cintas de papel de aluminio para prevenir la cocción excesiva de las áreas más expuestas. Pero tenga cuidado para no usar demasiadas y deje una distancia mínima de 1 pulgada (2,54 cm) entre la cinta de aluminio y la cavidad del horno.

La siguiente lista es una guía general para ayudarle a escoger los utensilios adecuados.

Utensilio	Microondas	Parrilla	Convección	Combinado*
Cristalería resistente al calor	Si	Si	Si	Si
Cristalería no resistente al calor	No	No	No	No
Cerámica resistente al calor	Si	Si	Si	Si
Recipiente de plástico seguro para microondas	Si	No	No	No
Papel de cocina	Si	No	No	No
Bandeja de metal	No	Si	Si	No
Porta platos de metal	No	Si	Si	No
Recipientes de aluminio y papel de aluminio	No	Si	Si	No

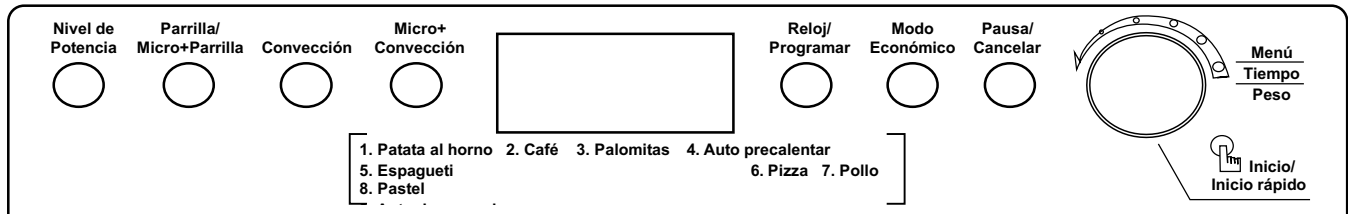
***Combinado:** se refiere a la cocción usando “microondas + parrilla” y “microondas + convección”.

DESCRIPCIÓN DEL HORNO



1. Pestillos del cierre de seguridad de la puerta.
2. Puerta del horno.
3. Eje.
4. Aro giratorio.
5. Bandeja de vidrio.
6. Bandeja para hornear.
7. Guía de ondas. (Nunca retire las placas de mica que protegen a las guías de ondas).
8. Calentador de la parrilla.
9. Panel de control.

PANEL DE CONTROL



PANTALLA DE VISUALIZACIÓN

Muestra el tiempo de cocción, el nivel de potencia, los indicadores y la hora actual.

NIVEL DE POTENCIA

Presione para seleccionar el nivel de potencia de microondas.

PARRILLA/MICRO+PARRILLA

Presione para configurar un programa de cocción a la parrilla o para seleccionar una de las dos configuraciones de cocción combinada con las funciones microondas y parrilla.

CONVECCIÓN

Presione para programar la temperatura de convección.

MICRO+CONVECCIÓN

Presione para seleccionar una de las cuatro configuraciones de cocción combinada con las funciones microondas y convección.

RELOJ/PROGRAMAR

Presione para ajustar el reloj del horno.

MODO ECONÓMICO

Presione para que el horno funcione en el modo de ahorro de energía.

PAUSA/CANCELAR

Presione para detener el programa de cocción actual o para anular los ajustes previos antes de comenzar la cocción.

Presione sólo una vez para detener la cocción temporalmente o dos veces

para cancelar la cocción por completo.
También se utiliza para activar/desactivar el bloqueo a prueba de niños.

MENÚ/TIEMPO/PESO (Selector)

Gire el selector para escoger uno de los menús de cocción automática o para ajustar el tiempo de cocción y el peso del alimento.

INICIO/INICIO RÁPIDO (Selector)

Presione el selector para iniciar el programa de cocción o para configurar un programa de cocción expreso.

(También consulte las páginas siguientes para obtener más información)

CONFIGURACIÓN DE LOS CONTROLES DEL HORNO

PITIDOS DURANTE LA CONFIGURACIÓN DEL HORNO

- UN PITIDO: El horno acepta la entrada.
- DOS PITIDOS: El horno no acepta la entrada. Revise los parámetros y vuelva a intentarlo.

AJUSTE DEL RELOJ

El reloj del horno funciona en el formato de 24 horas. Presione el botón RELOJ/PROGRAMAR para ajustar la hora del horno.

Suponga que desea establecer las 8:30 am.

Pasos:

1. Presione el botón PAUSA/CANCELAR.
2. Presione el botón RELOJ/PROGRAMAR.
3. Gire el selector MENÚ/TIEMPO/PESO hasta visualizar la hora correcta, 8 en este caso.
4. Presione el botón RELOJ/PROGRAMAR una vez.
5. Gire el selector MENÚ/TIEMPO/PESO hasta visualizar los minutos correctos, 30 en este caso.
6. Presione el botón RELOJ/PROGRAMAR una vez para confirmar.

Nota:

Durante la cocción, presione el botón RELOJ/PROGRAMAR para conferir la hora actual.

COCCIÓN CON MICROONDAS

El tiempo de cocción máximo es de 95 minutos.

El programa de cocción con microondas permite personalizar la potencia y el tiempo de cocción. Durante la cocción, presione el botón NIVEL DE POTENCIA para conferir la potencia ajustada.

Presione el botón NIVEL DE POTENCIA para seleccionar entre diferentes potencias de cocción predeterminadas.		
Presionar el botón	Potencia	Clasificación
una vez	100% (P100)	ALTA
dos veces	90% (P-90)	
3 veces	80% (P-80)	
4 veces	70% (P-70)	MEDIA ALTA
5 veces	60% (P-60)	
6 veces	50% (P-50)	MEDIA
7 veces	40% (P-40)	
8 veces	30% (P-30)	MEDIA BAJA/DESCONGELAR
9 veces	20% (P-20)	
10 veces	10% (P-10)	BAJA
11 veces	0% (P-00)	

Suponga que desea cocinar durante 5 minutos a un nivel de potencia del 60%.

Pasos:

1. Presione el botón PAUSA/CANCELAR.
2. Presione el botón NIVEL DE POTENCIA varias veces hasta que visualice P-60 en el panel.
3. Gire el selector MENÚ/TIEMPO/PESO hasta que visualice el tiempo de cocción correcto.
4. Presione INICIO/INICIO RÁPIDO (Selector) para comenzar.

Notas:

1. Si desea detener temporalmente un ciclo de cocción, presione el botón PAUSA/CANCELAR una vez, luego, puede presionar INICIO/INICIO RÁPIDO para reanudarlo; o si no, puede presionar nuevamente el botón PAUSA/CANCELAR para cancelar completamente el programa de cocción.

2. Cuando la cocción programada haya terminado, el aparato emitirá pitidos a cada 2 minutos mostrando FIN en la pantalla de visualización. Presione cualquier botón o abra la puerta del horno para anular este estado antes de configurar otro programa. (Lo indicado en ambas notas también está disponible para otros programas de cocción).

COCCIÓN A LA PARRILLA

El tiempo de cocción máximo es de 95 minutos.

La cocción a la parrilla es particularmente útil para rebanadas finas de carne, filetes, chuletas, brochetas, salchichas y piezas de pollo. También es muy conveniente para sándwiches calientes y platos gratinados.

Suponga que desea programar una cocción a la parrilla para 12 minutos.

Pasos:

1. Presione el botón PAUSA/CANCELAR.
2. Presione el botón PARRILLA/MICRO+PARRILLA una vez.
3. Gire el selector MENÚ/TIEMPO/PESO para visualizar y ajustar el tiempo de cocción.
4. Presione INICIO/INICIO RÁPIDO (Selector) para comenzar.

MICROONDAS + PARRILLA

El tiempo de cocción máximo es de 95 minutos.

Esta función le permite combinar la cocción con microondas y parrilla mediante dos configuraciones preestablecidas. Primeramente, presione el botón PARRILLA/MICRO+PARRILLA para escoger la combinación que tenga la configuración más conveniente, luego, observando la pantalla, gire el selector MENÚ/TIEMPO/PESO para ajustar el tiempo de cocción deseado. Después de presionar el botón INICIO/INICIO RÁPIDO, el sistema comienza a descontar el tiempo. Durante la cocción, puede presionar el botón PARRILLA/MICRO+PARRILLA para conferir la combinación ajustada.

COMBINACIÓN 1

30% del tiempo total para cocción con microondas y 70% para cocción a la parrilla. Esta combinación es conveniente para cocinar pescado o gratinados. Suponga que desea utilizar la combinación 1 para una cocción de 25 minutos.

Pasos:

1. Presione el botón PAUSA/CANCELAR.
2. Presione el botón PARRILLA/MICRO+PARRILLA dos veces.

3. Gire el selector MENÚ/TIEMPO/PESO para ajustar el tiempo de cocción.
4. Presione INICIO/INICIO RÁPIDO para comenzar.

COMBINACIÓN 2

55% del tiempo total para cocción con microondas y 45% para cocción a la parrilla. Esta combinación es conveniente para hacer pudín, tortillas, patatas cocidas y hornear aves de corral.

Suponga que desea utilizar la combinación 2 para una cocción de 12 minutos.

Pasos:

1. Presione el botón PAUSA/CANCELAR.
2. Presione el botón PARRILLA/MICRO+PARRILLA tres veces.
3. Gire el selector MENÚ/TIEMPO/PESO para ajustar el tiempo de cocción.
4. Presione INICIO/INICIO RÁPIDO para comenzar.

COCCIÓN POR CONVECCIÓN

El tiempo de cocción máximo es de 9 horas y 30 minutos.

Durante la cocción por convección, se hace circular aire caliente por toda la cavidad del horno para cocinar y dorar los alimentos de forma rápida y uniformemente. Este horno se puede programar para diez temperaturas de convección diferentes, entre 110°C y 200°C.

Para Cocinar por Convección

Presione el botón CONVECCIÓN varias veces para ajustar la temperatura de convección.

Suponga que desea utilizar esta función a 170°C durante 40 minutos.

Pasos:

1. Presione el botón PAUSA/CANCELAR.
2. Presione el botón CONVECCIÓN para ajustar la temperatura deseada.
3. Gire el selector MENÚ/TIEMPO/PESO hasta que visualice el tiempo de cocción correcto.
4. Presione INICIO/INICIO RÁPIDO para comenzar.

Nota:

Durante la cocción, puede presionar el botón CONVECCIÓN para conferir la temperatura de convección ajustada.

Para Precalentar y Cocinar por Convección

Este horno se puede programar para combinar la función de precalentamiento con ciclos de cocción por convección.

Suponga que desea precalentar el horno a 150°C y luego cocinar su alimento durante 35 minutos por convección.

Pasos:

1. Presione el botón PAUSA/CANCELAR.
2. Presione el botón CONVECCIÓN para ajustar la temperatura de precalentamiento.
3. Presione INICIO/INICIO RÁPIDO. Cuando el horno alcance la temperatura programada, emitirá un pitido cada 5 segundos.
4. Abra la puerta y coloque el recipiente con los alimentos en el centro de la bandeja de vidrio.
5. Gire el selector MENÚ/TIEMPO/PESO hasta que visualice el tiempo de cocción correcto.
6. Presione INICIO/INICIO RÁPIDO para comenzar.

MICROONDAS + CONVECCIÓN

El tiempo de cocción máximo es de 9 horas y 30 minutos.

Este horno tiene tres configuraciones predeterminadas para facilitar la cocción de alimentos combinando las funciones microondas y convección de forma automática.

Presione el botón MICRO+CONVECCIÓN para seleccionar la temperatura de convección:

	Temperatura del horno (°C)
COMBINACIÓN 1	110
COMBINACIÓN 2	140
COMBINACIÓN 3	170

Suponga que desea hornear un pastel durante 26 minutos usando la COMBINACIÓN 3.

Pasos:

1. Presione el botón PAUSA/CANCELAR.
2. Presione el botón MICRO+CONVECCIÓN para ajustar la temperatura a 170°C.
3. Gire el selector MENÚ/TIEMPO/PESO hasta que visualice el tiempo de cocción correcto.
4. Presione INICIO/INICIO RÁPIDO para comenzar.

Nota:

Durante la cocción, puede presionar el botón MICRO+CONVECCIÓN para conferir la temperatura de convección ajustada.

FUNCIÓN AUTO DESCONGELAR

La función de descongelación automática permite que el horno descongele los alimentos según el peso entrado por el usuario.

El rango de pesos admisible para alimentos congelados varía entre 100 g y 1800 g.

Suponga que desea descongelar 600 g de alimento congelado.

Pasos:

1. Presione el botón PAUSA/CANCELAR.
2. Gire el selector MENÚ/TIEMPO/PESO en sentido antihorario para seleccionar el código 9 de descongelación.
3. Presione INICIO/INICIO RÁPIDO para confirmar.
4. Gire el selector MENÚ/TIEMPO/PESO para entrar el peso del alimento.
5. Presione INICIO/INICIO RÁPIDO para comenzar.

Nota:

Durante la descongelación, el horno emitirá varios pitidos y detendrá el proceso para avisarle al usuario que debe voltear el alimento. Después de eso, cierre la puerta del horno y presione INICIO/INICIO RÁPIDO para reanudar la descongelación.

COCCIÓN MULTJETAPAS

Este horno se puede programar para que realice hasta 3 secuencias de cocción de forma automática. Algunas recetas pueden requerir un programa de cocción multietapas que incluya, por ejemplo, la descongelación.

Suponga que desea configurar el siguiente programa de cocción:

Cocción con microondas

Cocción por convección

(Sin la función de precalentamiento)

Pasos:

1. Presione el botón PAUSA/CANCELAR.
2. Configure una etapa de Cocción con Microondas sin presionar INICIO/INICIO RÁPIDO.

3. Configure una etapa de Cocción por Convección (sin la función de precalentamiento).
4. Presione INICIO/INICIO RÁPIDO para comenzar todo el programa.

Nota:

Las funciones AUTO DESCONGELAR y COCCIÓN AUTOMÁTICA, COCCIÓN EXPRESA y COCCIÓN POR CONVECCIÓN CON PRECALENTAMIENTO, no se pueden combinar en programas de cocción multietapas.

FUNCIÓN PROGRAMAR

Esta función le permite programar un ciclo de cocción para que comience más tarde.

Por ejemplo: Suponga que la hora actual es 9:00 am y usted quiere configurar el horno para que empiece un programa de cocción a las 11:30 am.

Pasos:

1. Configure el programa de cocción deseado.
2. Presione el botón RELOJ/PROGRAMAR una vez.
3. Gire el selector MENÚ/TIEMPO/PESO para ajustar la hora de inicio correcta, 11 en este caso.
4. Presione el botón RELOJ/PROGRAMAR una vez.
5. Gire el selector MENÚ/TIEMPO/PESO para ajustar los minutos correctos, 30 en este caso.
6. Presione INICIO/INICIO RÁPIDO una vez.

Nota:

Cuando la hora del horno sea 11:30 am, el ciclo de cocción programado se iniciará de forma automática. Las funciones COCCIÓN EXPRESA y COCCIÓN POR CONVECCIÓN CON PRECALENTAMIENTO no se pueden programar con antelación. Una vez que el programa de cocción haya comenzado, puede presionar el botón PAUSA/CANCELAR para cancelarlo.

COCCIÓN AUTOMÁTICA

Para la cocción de alimentos en las categorías que se relacionan a continuación, no es necesario programar el tiempo de cocción ni la potencia. Es suficiente con indicar el tipo de alimento que desea cocinar y el peso del mismo, o la cantidad de porciones según corresponda.

Pasos:

1. Presione el botón PAUSA/CANCELAR.

2. Gire el selector MENÚ/TIEMPO/PESO una vez en sentido antihorario y después gírelo en sentido horario para seleccionar el menú de cocción deseado.
3. Presione INICIO/INICIO RÁPIDO para confirmar.
4. Gire el selector MENÚ/TIEMPO/PESO para entrar el peso del alimento o bien la cantidad de porciones.
5. Presione INICIO/INICIO RÁPIDO para comenzar.

Menús de Cocción Automática:

Código del Menú	Categoría de Alimento	Observaciones
1	Patata al horno (porciones de 230 ± 10 g)	1. Para patatas y café, la pantalla mostrará la cantidad de porciones y no el peso de los alimentos. 2. Durante la cocción con el menú 7 (pollo), el horno emite un pitido para avisarle al usuario que debe voltear el alimento para lograr una cocción uniforme. Presione INICIO/INICIO RÁPIDO para reanudar el proceso.
2	Café (porciones de 200 mL)	3. Para palomitas de maíz y pastel, hay un único peso para elegir.
3	Palomitas de maíz (estándar, 99 g)	4. Para patatas enteras, puede que necesite envolverlas en bolsas de PE aptas para microondas durante la cocción.
4	Auto recalentar (g)	5. Para hacer espaguetis o auto recalentar alimentos, deberá usar utensilios aptos para el horno o filme transparente a microondas.
5	Espaguetis (g)	
6	Pizza (g)	
7	Pollo (g)	
8	Pastel (estándar, 475 g)	

El resultado de la cocción automática depende de factores tales como la fluctuación del voltaje, la forma y el tamaño de los alimentos, sus preferencias en cuanto al punto de cocción de ciertos alimentos, e incluso, de la acomodación de los alimentos en el horno. Si de alguna manera no está satisfecho con el resultado, ajuste el tiempo de cocción a conveniencia.

OTRAS FUNCIONES CONVENIENTES

BLOQUEO A PRUEBA DE NIÑOS

El bloqueo a prueba de niños impide que los niños pequeños utilicen el horno sin supervisión.

Para activar el bloqueo a prueba de niños: mantenga presionado el botón PAUSA/CANCELAR durante 3 segundos, el horno emitirá un pitido y encenderá la luz indicadora. En el estado bloqueado, todos los botones del aparato están deshabilitados.

Para desactivar el bloqueo a prueba de niños: mantenga presionado el botón PAUSA/CANCELAR durante 3 segundos, el horno emitirá un pitido y la luz indicadora se apagará.

MODO DE AHORRO DE ENERGÍA

Mantenga presionado el botón MODO ECONÓMICO durante 3 segundos, el horno emitirá un pitido y la pantalla de visualización se apagará, el sistema entrará en modo de ahorro de energía. Presione cualquier botón para reestablecer el modo normal, la pantalla se encenderá.

COCCIÓN EXPRESA

Use esta función para programar al horno para que cocine alimentos con microondas a la potencia máxima (100%) convenientemente.

En el modo de espera, presione INICIO/INICIO RÁPIDO sucesivamente para ajustar el tiempo de cocción, el horno se iniciará de inmediato automáticamente. El tiempo de cocción máximo para esta función es de 10 minutos.

MECANISMO DE PROTECCIÓN AUTOMÁTICO

1. Cuando el sistema entra en estado de protección contra temperaturas demasiado altas, la pantalla de visualización muestra "E01" y se emiten pitidos continuamente hasta que el sistema vuelva a su estado normal y luego presione el botón PAUSA/CANCELAR.
2. Cuando el sistema entra en estado de protección contra temperaturas demasiado bajas, la pantalla de visualización muestra "E02" y se emiten pitidos continuamente hasta que el sistema vuelva a su estado normal y luego presione el botón PAUSA/CANCELAR.

3. El sistema entra en el modo de protección cuando el sensor está Abierto/Cortocircuito. La pantalla de visualización muestra “E03” y se emiten pitidos continuamente hasta que presione el botón PAUSA/CANCELAR. Contacte al centro de asistencia técnica para revisar y reemplazar el sensor defectuoso.
4. FUNCIÓN DE ENFRIAMIENTO – El sistema de control del horno de microondas tiene la función de enfriamiento. Cuando el tiempo de cocción es superior a 2 minutos, e independientemente del tipo de programa ajustado, después de terminar la cocción, el ventilador del horno se enciende automáticamente por alrededor de 3 minutos para enfriarlo y de esta forma prolongar la vida útil del aparato.

LIMPIEZA Y MANTENIMIENTO

1. Apague el horno y desconecte el enchufe del tomacorriente antes de limpiarlo.
2. Mantenga limpio el interior del horno. Cuando salpicaduras de alimentos o derrames de líquidos se adhieran a las paredes del horno, límpielo con un paño húmedo. Puede utilizar detergente suave si el horno está demasiado sucio. Evite el uso de aerosoles y otros limpiadores agresivos ya que estos pueden manchar, opacar o rayar las superficies.
3. Las superficies exteriores deben limpiarse con un paño húmedo. Para evitar daños en las piezas del funcionamiento interno del horno, nunca permita que el agua penetre por los conductos de ventilación del horno.
4. Limpie la puerta y la ventana regularmente por ambos lados, así como los sellos de la puerta y las áreas adyacentes, utilizando un paño húmedo para eliminar cualquier derrame o salpicadura. No utilice productos de limpieza agresivos.
5. Evite que se moje el panel de control. Límpielo con un paño suave y húmedo. Deje la puerta del horno abierta para limpiar el panel de control, así evita que el aparato pueda encenderse accidentalmente.
6. Si se acumula vapor por dentro o fuera de la puerta del horno, séquelo con un paño suave. Esto puede ocurrir cuando el horno

de microondas funciona en ambientes demasiado húmedos y es completamente normal.

7. En ocasiones se hace necesario retirar la bandeja de vidrio para limpiarla. Lávela con agua jabonosa tibia o en un lavavajillas.
8. El aro giratorio y el piso del horno deben limpiarse con regularidad para evitar ruidos excesivos. Simplemente limpie el piso del horno con un paño y detergente suave. El aro giratorio se puede lavar con agua jabonosa suave o en el lavavajillas. Cuando retire el aro giratorio del piso de la cavidad del horno para limpiarlo, asegúrese de volver a colocarlo en la posición correcta.
9. Quite los malos olores de su horno mezclando, en un tazón hondo apto para microondas, una taza de agua con el jugo y la cáscara de un limón. Accione el horno durante 5 minutos con el tazón en la cavidad. Luego limpie bien y seque con un paño suave.
10. Cuando sea necesario reemplazar la bombilla del horno, consulte a un distribuidor para providenciar el servicio.
11. El horno se debe limpiar con regularidad y debe eliminar cualquier depósito de alimentos. La falta de mantenimiento en términos de limpieza podría conllevar al deterioro de la superficie del horno y esto reduce la vida útil del aparato e incluso, puede generar situaciones de peligro.
12. No deseche este aparato en el nicho de basura del domicilio, este debe ser separado para el depósito de desechos electrodomésticos designado por la municipalidad para estos fines.
13. Durante el primer uso del horno de microondas en la función PARRILLA, se puede producir una pequeña cantidad de humo y hedor. Esto es perfectamente normal ya que el horno está hecho de placas de acero revestidas con aceite lubricante, y la combustión de este aceite produce humo y olores característicos cuando el horno está nuevo. Este fenómeno desaparecerá gradualmente después de varios usos.

MEDIO AMBIENTE

ATENCIÓN:

No se deshaga de este producto como lo hace con otros productos del hogar.



Existe un sistema selectivo de colecta de este producto puesto en marcha por las comunidades, debe de informarse en su ayuntamiento acerca de los lugares en los que puede depositar este producto. De hecho, los productos eléctricos y electrónicos pueden contener sustancias peligrosas que tienen efectos nefastos para el medio ambiente o para la salud humana y deben ser reciclados. El símbolo aquí presente indica que los equipos eléctricos o electrónicos deben de ser cuidadosamente seleccionados, representa un recipiente de basura con ruedas marcado con una X.

Adeva SAS / H.Koenig Europe - 8 rue Marc Seguin, 77290 Mitry-Mory, France
www.hkoenig.com - sav@hkoenig.com - contact@hkoenig.com - Tél: +33 1 64 67 00 01

ITALIANO

Si prega di leggere attentamente le istruzioni prima di installare e utilizzare il forno.

Quando si utilizzano apparecchi elettrici devono essere seguite diverse precauzioni di sicurezza, tra cui le seguenti:

AVVERTIMENTO: Per ridurre il rischio di ustioni, scosse elettriche, incendi, danni alle persone o eccessiva esposizione alle microonde :

1. Leggere tutte le istruzioni prima di utilizzare l'apparecchio.
2. Utilizzare l'apparecchio solo per l'uso previsto, come descritto in questo manuale. Non usare prodotti chimici o vapori corrosivi in questo apparecchio. Questo tipo di forno è specificamente progettato per riscaldare, cucinare o essiccare il cibo. Non è progettato per l'uso industriale o di laboratorio.
3. Non far funzionare il forno a vuoto.
4. Non utilizzare l'apparecchio se il cavo o la spina sono danneggiati, se non funziona correttamente o se è stato danneggiato o caduto. Se il cavo di alimentazione è danneggiato, deve essere sostituito dal costruttore, da un suo rappresentante o da una persona qualificata al fine di evitare rischi.
5. **AVVERTIMENTO:** Consentire ai bambini di utilizzare il forno senza la supervisione solo quando sono state date istruzioni adeguate in modo che il bambino sia in grado di utilizzare il forno in modo sicuro e capisca i pericoli di un uso improprio.
6. **AVVERTIMENTO:** È pericoloso per chiunque non sia una persona addestrata, procedere a qualsiasi operazione di assistenza o riparazione che comporta la rimozione di qualsiasi copertura che offre una protezione contro l'esposizione alle microonde.
7. Per ridurre il rischio di incendio nella cavità del forno:
 - a. Durante il riscaldamento di alimenti in contenitori di plastica o di carta, tenere d'occhio il forno a causa della possibilità di incendio.
 - b. Rimuovere i lacci di chiusura dalla carta o dai sacchetti di plastica prima di metterli in forno.
 - c. Se si vede fumo, spegnere o staccare la spina e tenere la porta chiusa per soffocare eventuali fiamme.
 - d. Non usare la cavità a fini di stoccaggio. Non lasciare prodotti di carta, utensili da cucina o cibo nella cavità quando non in uso.

8. **AVVERTIMENTO:** alimenti liquidi o altro non devono essere riscaldati in contenitori sigillati in quanto potrebbero esplodere.
9. Il riscaldamento di bevande nel forno a microonde può causare l'ebollizione del liquido che potrebbe fuoriuscire, pertanto, bisogna fare attenzione nel manipolare il contenitore.
10. Non friggere cibo nel forno. L'olio caldo può danneggiare le parti e gli utensili del forno e addirittura provocare ustioni della pelle.
11. Uova nel loro guscio e uova sode intere non vanno riscaldate nel forno a microonde in quanto potrebbero esplodere anche dopo che il riscaldamento a microonde è terminato.
12. Sbucciare gli alimenti come con buccia spessa come le patate, zucche intere, mele e castagne prima della cottura.
13. Il contenuto di biberon e vasetti bambino dovrebbe essere mescolato o agitato e la temperatura dovrebbe essere controllata prima di servirli in modo da evitare scottature.
14. Utensili da cucina possono surriscaldarsi a causa del calore trasferito dal cibo riscaldato. Le presine possono essere necessarie per gestire l'utensile.
15. Gli utensili dovrebbero essere controllati per assicurare che siano adatti per l'uso in microonde.
16. **AVVERTIMENTO:** È pericoloso per chiunque non sia una persona addestrata, procedere a qualsiasi operazione di assistenza o riparazione che comporta la rimozione di qualsiasi copertura che offre una protezione contro l'esposizione alle microonde.
17. Questo prodotto è un'apparecchiatura di gruppo di 2 classe B ISM. Il gruppo 2, comprende tutte le apparecchiature ISM (Industrial, Scientific and Medical) in cui l'energia di radio-frequenza è generata e / o utilizzata sotto forma di radiazione elettromagnetica per il trattamento di materiale e attrezzature ad elettroerosione. Le apparecchiature di classe B hanno un equipaggiamento adatto per l'uso in ambienti residenziali e in strutture direttamente collegate a una rete di alimentazione a bassa tensione che alimenta edifici utilizzati per uso domestico.
18. Questo apparecchio non è destinato ad essere utilizzato da persone (compresi i bambini) con capacità fisiche, sensoriali o mentali ridotte o senza esperienza e conoscenza, a meno che non siano controllati o istruiti all'uso dell'apparecchio da una persona

responsabile della loro sicurezza.

19. I bambini devono essere sorvegliati per assicurarsi che non giochino con l'apparecchio.

20. Il forno a microonde va utilizzato solo singolarmente.

21. **ATTENZIONE:** Non installare il forno a microonde su un altro apparecchio che produce calore. Se installato potrebbe essere danneggiato e la garanzia sarebbe nulla.

22. La superficie accessibile potrebbe essere molto calda durante il funzionamento.

23. Il forno a microonde non deve essere collocato in un armadio.

24. La porta o la superficie esterna possono diventare molto calde quando l'apparecchio è in funzione.

25. La temperatura delle superfici accessibili può essere elevata quando l'apparecchio è in funzione.

26. L'apparecchio deve essere posto contro una parete.

27. L'apparecchio non è da utilizzare da parte di bambini o persone con ridotte capacità fisiche, sensoriali o mentali, o senza esperienza e conoscenza, a meno che non siano attentamente sorvegliati e istruiti

28. I bambini dovrebbero essere sorvegliati per evitare che giochino con l'apparecchio

29. **ATTENZIONE:** Se le guarnizioni della porta o la porta stessa sono danneggiate, il forno non deve essere utilizzato fino a quando non è stato riparato da una persona competente.

30. Le istruzioni devono indicare che gli apparecchi non sono destinati ad essere azionati per mezzo di un timer esterno o un sistema di comando a distanza.

31. Il forno a microonde è per uso domestico e non per uso commerciale.

32. Non rimuovere il distanziale nella parte posteriore o ai lati, in quanto garantisce una distanza minima dalla parete per la circolazione dell'aria.

33. Si prega di fissare il tavolo prima di spostare l'apparecchio per evitare danni.

34. **Attenzione:** È pericoloso riparare o effettuare manutenzione sull'apparecchio a meno che non si sia un esperto perché in queste circostanze deve essere rimosso il coperchio che assicura la

protezione contro le radiazioni a microonde. Questo vale sia per cambiare il cavo di alimentazione che l'illuminazione. In questi casi è consigliabile inviare l'apparecchio al nostro centro di assistenza.

35. Il forno a microonde è destinato solo allo scongelamento, cottura e riscaldamento di cibo.

36. Utilizzare guanti quando rimuove qualsiasi cibo riscaldato.

37. Attenzione! Il vapore fuoriesce, quando si aprono i coperchi o si avvolge il cibo nella stagnola.

38. Questo apparecchio può essere utilizzato da bambini di età superiore agli 8 anni e da persone con capacità fisiche, sensoriali o mentali ridotte o senza esperienza e conoscenza a patto che stiano stati controllati o istruiti all'uso dell'apparecchio in modo sicuro e comprendono i pericoli coinvolti. I bambini non devono giocare con l'apparecchio. La pulizia e la manutenzione non devono essere effettuate da parte dei bambini a meno che non siano di età superiore agli 8 anni e sotto la supervisione.

43. Se si vede del fumo, spegnere o scollegare l'apparecchio e tenere la porta chiusa per soffocare eventuali fiamme.

PRECAUZIONI PER EVITARE L'ESPOSIZIONE ECCESSIVA ALLE MICROONDE

39. Non tentare di far funzionare il forno con la porta aperta in quanto il funzionamento a porta aperta può causare una pericolosa esposizione alle microonde. È importante non forzare o manomettere i blocchi di sicurezza.

40. Non posizionare alcun oggetto tra la parte frontale del forno e la porta e non consentire che residui di detergente si accumulino sulle superfici di tenuta.

41. Non mettere in funzione il forno se è danneggiato. È particolarmente importante che la porta del forno si chiuda bene e che non vi sia alcun danno a

e. Porta (piegata),

f. Cerniere e chiusure (rotte o allentate),

g. guarnizioni della porta e superfici di tenuta.

42. Il forno deve essere regolato o riparato esclusivamente da personale di assistenza qualificato.

SPECIFICHE*

Consumo di energia:	230 ~ 240V / 50Hz, 1400W (microonde)
	2050W (convezione)
	1250W (griglia)
Microonde Potenza Nominale di uscita:	900W
Frequenza di funzionamento:	2450MHz
Dimensioni esterne:	376 millimetri (H) x 498 millimetri (L) x 574 millimetri (D)
Dimensioni Interno del forno:	238 millimetri (H) x 405 millimetri (L) x 351 millimetri (D)
Capacità forno:	34Litri
Uniformità di cottura:	piatto girevole
Peso netto:	Circa. 25.4kg

PRIMA DI CONTATTARE

Se il forno non funziona

1. sia impostato.
2. Verificare Verificare che il forno sia collegato saldamente. Se non lo è, staccare la spina dalla presa di corrente, attendere 10 secondi e ricollegarlo saldamente.
3. Verificare la presenza di un fusibile del circuito bruciato o un interruttore principale scattato. Se questi sembrano funzionare correttamente, verificare la presa con un altro apparecchio.
4. Verificare che il pannello di controllo sia programmato correttamente e che il timer che la porta sia ben chiusa impegnando il sistema di blocco di sicurezza della porta. Altrimenti, l'energia a microonde non scorrerà nel forno.

Se nessuno delle soluzioni QUI SOPRA rettifica la situazione, allora contattare un tecnico qualificato. NON tentare di regolare o riparare il forno

INSTALLAZIONE

1. Assicurarsi che tutti i materiali di imballaggio siano stati rimossi dall'interno della porta
2. **AVVERTIMENTO:** Controllare il forno per eventuali danni, come la porta non allineata o piegata, guarnizioni delle porte danneggiate e superficie di tenuta, cerniere e chiavistelli e ammaccature all'interno della cavità o sulla porta rotti o allentati. Se vi è un danno, non utilizzare il forno e contattare il personale di assistenza qualificato.
3. Questo forno deve essere posizionato su una superficie piana e stabile per sopportare il peso dell'apparecchio e del cibo cotto in forno.
4. Non posizionare il forno in luoghi in cui si generano calore, o elevata umidità, o vicino a materiali infiammabili.
5. Per un corretto funzionamento, il forno deve avere un flusso d'aria sufficiente. Lasciare 20cm di spazio sopra il forno, 10cm dietro e 5 centimetri su entrambi i lati. Non coprire o bloccare le aperture sull'apparecchio. Non rimuovere i piedi.
6. Non far funzionare il forno senza vassoio di vetro, supporto del rullo, e albero nelle loro posizioni corrette.
7. Assicurarsi che il cavo di alimentazione non sia danneggiato e non venga posizionato sotto il forno o su una superficie calda o tagliente.
8. La presa deve essere facilmente accessibile in modo che sia possibile scollegarla facilmente in caso di emergenza.
9. Non utilizzare il forno all'aperto

ISTRUZIONI MESSA A TERRA

Questo apparecchio deve essere collegato a terra. Questo forno è dotato di un cavo con un filo di messa a terra con una spina di messa a terra. Deve essere inserito in una presa a muro che sia correttamente installata e messa a terra. Nel caso di un corto circuito elettrico, la messa a terra riduce il rischio di scosse elettriche, fornendo un filo di fuga per la corrente elettrica. Si raccomanda il forno abbia un circuito separato. Utilizzare una tensione elevata è pericoloso e può provocare un incendio o altro incidente causando danni al forno.

AVVERTIMENTO L'uso improprio della spina della messa a terra può comportare un rischio di scossa elettrica.

NOTA:

1. Se avete domande circa la messa a terra o istruzioni elettriche, consultare un elettricista o un servizio personale qualificato.
2. Né il produttore né il rivenditore può accettare qualsiasi responsabilità per danni al forno o personali derivanti dalla mancata osservanza delle procedure di collegamento elettrico.

I fili in questo cavo principale sono colorati secondo il codice seguente:

Verde e giallo = TERRA

Blu = NEUTRO

Marrone = DIRETTA

RADIO INTERFERENZA

Il funzionamento del forno a microonde può causare interferenze con la radio, TV, o di apparecchiature simili

Quando c'è interferenza, può essere ridotta o eliminata adottando le seguenti misure:

1. Pulire la porta e la superficie di tenuta del forno.
2. Riorientare l'antenna di ricezione di radio o televisione.
3. Spostare il forno a microonde rispetto al ricevitore.
4. Spostare il forno a microonde dal ricevitore.
5. Collegare il forno a microonde in una presa diversa in modo che il forno a microonde e ricevitore si trovino su circuiti diversi

PRINCIPI DI COTTURA A MICROONDE

1. Disporre con attenzione il cibo. Posizionare LE aree più spesse verso l'esterno del piatto
2. Guardare il tempo di cottura. Cuocere per il più breve lasso di tempo indicato e aggiungerne di più se necessario. Il cibo troppo cotto può fumare o prendere fuoco.
3. Coprire i cibi durante la cottura. Coprire il cibo evita gli schizzi e aiutare a cucinare in modo uniforme.
4. Girare gli alimenti più di una volta durante la cottura a microonde per accelerare la cottura di alimenti come il pollo e hamburger. I piatti di grandi dimensioni come gli arrostiti devono essere girati almeno una volta.
5. Ridisporre alimenti come polpette a metà cottura sia dall'alto verso il basso e verso il centro del piatto verso l'esterno.

GUIDA UTENSILI

1. Il materiale ideale per un utensile a microonde è la plastica trasparente per microonde, che permette all'energia di passare attraverso il contenitore e riscaldare il cibo.
2. Il forno a microonde non può penetrare in metallo, quindi gli utensili in metallo o piatti con finiture in metallo non devono essere usati.
3. Non utilizzare prodotti di carta riciclata durante la cottura a microonde, in quanto potrebbero contenere frammenti di metallo di piccole dimensioni che possono causare scintille e / o incendi.
4. I piatti ovali rotondi / piuttosto che quelli quadrati / oblungi sono raccomandati, in quanto il cibo negli angoli tende a cuocere troppo.
5. Delle strette strisce di alluminio possono essere usate per impedire la cottura eccessiva delle aree esposte. Ma attenzione a non utilizzarne troppe e mantenere una distanza di 1 pollice (2,54 centimetri) tra la pellicola e la parete del forno.

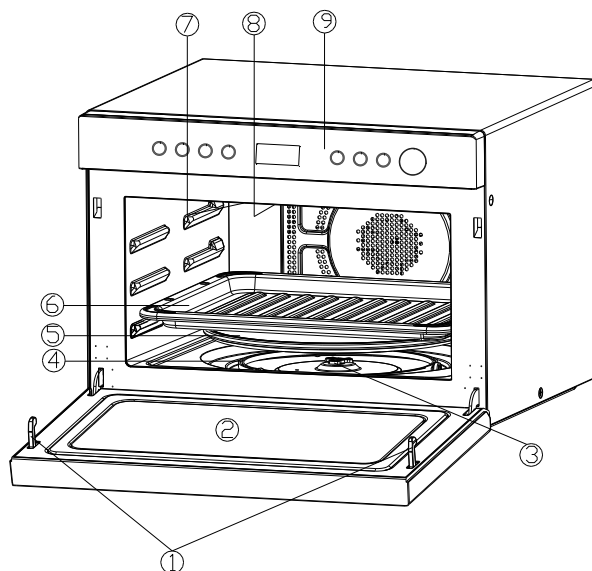
L'elenco che segue è una guida generale per aiutarvi a selezionare gli utensili corretti.

Stoviglie	Microonde	Griglia	Convezione	Combinazione *
Vetro resistente al calore	sì	sì	sì	sì
Vetro non resistente al calore	No	No	No	No
Ceramica resistente al calore	sì	sì	sì	sì
Piatto microonde in plastica	sì	No	No	No
carta da cucina	sì	No	No	No
vassoio di metallo	No	sì	sì	No
Rastrello in metallo	No	sì	sì	No
Contenitori in alluminio	No	sì	sì	No

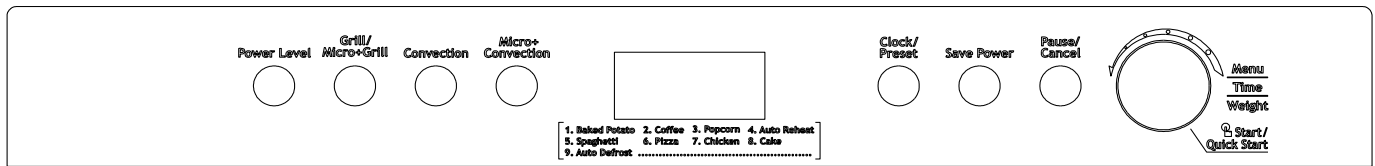
* Combinazione: applicabile sia per la cottura "microonde + convezione" "microonde + grill".

NOMI

1. Bloccaggio di sicurezza della porta
2. Finestra Forno
3. Albero
4. Anello
5. vassoio di vetro
6. Piastra di cottura
7. guida d'onda
6. (Si prega di non rimuovere la piastra di mica che copre la guida d'onda)
8. Grill riscaldatore
9. Pannello di controllo



PANNELLO DI CONTROLLO



SCHERMO

vengono visualizzati il tempo di cottura, potenza, indicatori e il tempo presente.

LIVELLO DI POTENZA

Premere per selezionare il livello di potenza microonde.

GRILL / MICRO + GRILL

Premere per impostare un programma di cottura con grill o di uno delle due impostazioni di cottura con forno e grill.

CONVEZIONE

Premere per la temperatura del programma convezione.

MICRO + CONVEZIONE

Premere per selezionare una delle quattro impostazioni di cottura con forno e convezione.

CLOCK / PRESET

Premere per impostare l'orologio del forno.

Risparmio energia

Premere per impostare la modalità di risparmio energetico del forno.

Pausa / Annulla

Premere per interrompere il programma di cottura o per annullare tutte le impostazioni precedenti prima di iniziare la cottura.

Premere una volta per fermare la cottura temporaneamente o due volte per annullare la totalmente cottura.

Può anche essere utilizzato per impostare il blocco a prova di bambino.

MENU / TEMPO / PESO (digitare)

Ruotare per selezionare i menu cuoco auto o immettere il tempo e il peso del cibo.

START / QUICK START (quadrante)

Premere per avviare il programma oppure per impostare programma di cottura espresso.

(Leggere anche le seguenti pagine per maggiori dettagli)

Come impostare il controllo del forno

Bip IMPOSTAZIONI FORNO

- Un bip: il Forno accetta l'impostazione.
- Due bip: Il Forno non accetta l'impostazione. Si prega di verificare e riprovare.

IMPOSTAZIONE DELL'OROLOGIO

L'orologio del forno funziona sulle 24 ore, iè possibile impostare l'ora premendo il tasto CLOCK / PRESET.

Supponiamo di voler impostare le ore 8:30.

Steps:

1. Premere il tasto PAUSE / CANCEL.
2. Premere CLOCK / PRESET,
3. Ruotare la manopola MENU / TIME / WEIGHT fino a quando viene visualizzata l'ora corretta, 8.
4. Premere CLOCK / tasto PRESET una volta.
5. Ruotare la manopola MENU / TIME / WEIGHT fino a quando vengono visualizzati i minuti corretti, 30.
6. Premere il tasto CLOCK / PRESET una volta per confermare.

Si noti: durante il processo di cottura, premere il tasto CLOCK / PRESET per controllare l'ora attuale.

COTTURA A MICROONDE

Il tempo di cottura più lungo è di 95 minuti.

La cottura a microonde permette di personalizzare la potenza e il tempo di cottura. Premere il tasto POWER LEVEL durante la cottura per controllare il livello di potenza.

Premere il tasto POWER LEVEL per selezionare diversa potenza di cottura		
Pressione	Energia	Descrizione
una volta	100% (P-100)	alto
due volte	90% (P-90)	
3 volte	80% (P-80)	
4 volte	70% (P-70)	Media altezza
5 volte	60% (P-60)	
6 volte	50% (P-50)	medio
7 volte	40% (P-40)	
8 volte	30% (P-30)	Med. Basso / sbrinamento
9 volte	20% (P-20)	
10 volte	10% (P-10)	Basso
11 volte	0% (P-00)	

Si supponga di voler cuocere per 5 minuti a livello di potenza del 60%.

Steps:

1. Premere il tasto PAUSE / CANCEL.
2. Premere il tasto POWER LEVEL un certo numero di volte fino a che appare P-60.
3. Ruotare la manopola MENU / TIME / WEIGHT fino a quando viene visualizzato il tempo di cottura corretto.
4. Premere START / QUICK START per avviare.

NOTA:

1. Se si vuole fermare temporaneamente una sessione di cottura, premere il tasto PAUSE / CANCEL una volta e poi si può riprendere la cottura premendo START / QUICK START; o premere il tasto PAUSE / CANCEL due volte per annullare del tutto il programma di cottura.

2. Quando il programma di cottura è ultimato, il segnale acustico suonerà ogni 2 minuti con la dicitura END sullo schermo, premere un tasto o aprire la porta del forno per cancellare prima di impostare un'altra funzione. (Sia la nota 1 che 2 sono disponibili per anche altri programmi di cottura).

GRILL

Il tempo di cottura più lungo è di 95 minuti.

Il grill è particolarmente utile per le fette sottili di carne, bistecche, bracioline, spiedini, salsicce e pezzi di pollo. E' adatto anche per panini caldi e piatti gratinati.

Si supponga di voler programmare il grill per 12 minuti.

Steps:

- Premere il tasto PAUSE / CANCEL.
- Premere GRILL / MICRO + tasto GRILL una volta.
- Girare la manopola MENU/TIME/WEIGHT per visualizzare il tempo di cottura.
- Premere START / QUICK START per avviare.

GRILL + MICROONDE

Il tempo di cottura più lungo è di 95 minuti.

Questa funzione consente di combinare grill e la cottura a microonde su due diverse impostazioni. In primo luogo, premere GRILL / MICRO + GRILL per scegliere un'impostazione di combinazione appropriata, quindi, allo schermo, inserire il tempo di cottura desiderato ruotando la manopola MENU / TIME / WEIGHT. Dopo aver premuto il tasto START / QUICK START, il sistema inizia il conto alla rovescia. Durante la cottura, è possibile premere il tasto GRILL / MICRO + GRILL per verificare la combinazione impostata.

COMBINAZIONE 1

Il 30% di tutto il tempo è per la cottura a microonde, il 70% per il grill. Utilizzare per la cottura del pesce o per gratinare.

Supponiamo di voler impostare la combinazione 1 per 25 minuti.

Steps:

1. Premere il tasto PAUSE / CANCEL.
2. Premere GRILL / MICRO + GRILL due volte.

3. Girare la manopola MENU/TIME/WEIGHT per entrare il tempo di cottura.
4. Premere il pulsante START / QUICK START.

COMBINAZIONE 2

Il 55% di tutto il tempo per la cottura a microonde, il 45% per il grill. Utilizzare per cucinare budini, omelette, patate al forno e pollame.

Supponiamo di voler impostare la combinazione 2 per 12 minuti.

passi:

1. Premere il tasto PAUSE / CANCEL.
2. Premere GRILL / MICRO + tasto GRILL tre volte.
3. Girare la manopola MENU/TIME/WEIGHT per inserire il tempo di cottura.
4. Premere il tasto START / QUICK START.

COTTURA A CONVEZIONE

Il tempo di cottura più lungo è di 9 ore e 30 minuti. Durante la cottura a convezione, l'aria calda viene fatta circolare in tutta la cavità del forno per avere alimenti dorati e croccanti rapidamente e in modo uniforme. Questo forno può essere programmato per dieci diverse temperature di cottura.

Ovvero: 110 → 200 °C

Cuocere a convezione

Premere il pulsante CONVECTION un certo numero di volte per impostare la temperatura di convezione.

Si supponga di voler cucinare il cibo a 170° per 40 minuti.

STEPS:

1. Premere il tasto PAUSE / CANCEL.
2. Premere il tasto CONVENTION per inserire la temperatura desiderata.
3. Ruotare la manopola MENU / TIME / WEIGHT fino a quando viene visualizzato il tempo di cottura corretto.
4. Premere il tasto START / QUICK START.

NOTA:

È possibile controllare la temperatura di convezione durante la cottura in corso premendo il tasto CONVENTION.

Per preriscaldare e cuocere a convezione

Il forno può essere programmato per combinare operazioni di preriscaldamento e cottura a convezione.

Si supponga di voler preriscaldare a 150° e poi cuocere per 35 minuti.

Steps:

1. Premere il tasto PAUSE / CANCEL.
2. Premere il pulsante CONVECTION per impostare la temperatura di preriscaldamento.
3. Premere il tasto START / QUICK START. Quando il forno raggiunge la temperatura programmata, emetterà un bip una volta ogni 5 secondi.
4. Aprire il contenitore e posizionare cibo al centro del vassoio di vetro.
5. Ruotare la manopola MENU / TIME / WEIGHT fino a quando viene visualizzato il tempo di cottura corretto.
6. Premere il tasto START / QUICK START.

MICROONDE + Convezione

Il tempo di cottura più lungo è di 9 ore e 30 minuti. Questo forno ha tre impostazioni pre-programmate che lo rendono facile da usare sia il calore a convezione che come forno a microonde in maniera automatica..

Premere il tasto MICRO + CONVECTION per selezionare la temperatura di convezione:

	La temperatura del forno (°C)
COMB1	110
COMB2	140
COMB3	170

Si supponga di voler cuocere una torta per 26 minuti con COMBINAZIONE3 STEPS:

1. Premere il tasto PAUSE / CANCEL.
2. Premere il tasto MICRO + CONVECTION per impostare su 170 °C.
3. Ruotare la manopola MENU / TIME / WEIGHT fino a quando viene visualizzato il tempo di cottura corretto.
4. Premere il tasto START / QUICK START per avviare.

NOTA:

È possibile controllare la temperatura di convezione durante la cottura in corso premendo il tasto MICRO + CONVECTION.

AUTO SCONGELAMENTO

Il programma di auto scongelamento consente il forno per scongelare gli alimenti in base al peso inserito dall'utente.

La gamma di peso degli alimenti congelati varia tra 100g e 1800g.

Si supponga di voler scongelare 600 g di alimenti surgelati.

1. Premere il tasto PAUSE / CANCEL.
2. Girare MENU / TIME / WEIGHT in senso antiorario per selezionare lo sbrinamento con codice 9.
3. Premere il tasto START / QUICK START per confermare.
4. Ruotare MENU / TIME / WEIGHT per selezionare il peso del cibo.
5. Premere il tasto START / QUICK START.

NOTA:

Durante il processo di sbrinamento, il buzzer emette segnali acustici intermittenti per ricordare all'utente di girare il cibo. Dopo di che, chiudere lo sportello del forno e premere START / QUICK START per riprendere lo scongelamento.

COTTURA MULTI-STAGE

Il forno può essere programmato per un massimo di 3 sequenze automatiche di cottura. Alcune ricette possono richiedere un programma di cottura a più stadi che prevede lo scongelamento.

Supponiamo di voler impostare il seguente programma di cottura.

Cottura a microonde

Cottura a convezione (senza funzione di preriscaldamento)

Steps:

1. Premere il tasto PAUSE / CANCEL.
2. Inserisci un ciclo di cottura a microonde senza premere START / QUICK START.
3. Inserisci un ciclo di cottura a convezione (senza funzione di preriscaldamento)
4. Premere il tasto START / QUICK START per avviare l'intero programma.

Nota:

L'AUTO SCONGELAMENTO, la COTTURA AUTOMATICA, la COTTURA EXPRESS e la COTTURA A CONVENZIONE con funzioni di preriscaldamento non possono essere impostate nel programma di cottura a più stadi.

FUNZIONE PRESTABILITA

1. Questa funzione permette di programmare un programma di cottura da avviare in un secondo momento.
2. Per esempio: Supponiamo che l'ora attuale è 9:00, e si desidera il forno avviare un programma di cottura alle 11:30.

1. Inserire un programma di cottura desiderato.
2. Premere CLOCK / PRESET una volta.
3. Ruotare MENU / TIME / WEIGHT per impostare sulle 11.
4. Premere CLOCK / t PRESET una volta.
5. Ruotare MENU / TIME / WEIGHT per impostare i minuti su 30.
6. Premere START / QUICK START una volta.

NOTA: Quando arrivano le 11:30, il programma di cottura desiderato inizia automaticamente. COTTURA EXPRESS, LACOTTURA A CONVENZIONE e le funzioni di preriscaldamento non possono essere preimpostate. Quando questa funzione inizia, è possibile premere il tasto PAUSE / CANCEL per annullarla.

COTTURA AUTOMATICA

Per la seguente modalità di cottura non è necessario programmare la durata e la potenza di cottura. È sufficiente indicare il tipo di cibo che si desidera cucinare così come il peso o il numero di alimenti.

Steps:

1. Premere il tasto PAUSE / CANCEL.
2. Girare MENU / TIME / WEIGHT in senso antiorario una volta, quindi MENU / TIME / WEIGHT in senso orario per selezionare il menu.
3. Premere il tasto START / QUICK START per confermare.
4. Ruotare MENU / TIME / WEIGHT per inserire il peso del cibo o il numero di porzioni.
5. Premere START / QUICK START.

Menù Cottura Automatica :

Codice Menu	Categoria Menu	Note
1	Patate al forno (230g ± 10g / cad)	1.Per le patate e il caffè, lo schermo visualizza il numero di porzioni, ma non peso del cibo. 2.Per i prodotti alimentari 7 (pollo), il forno emette un segnale acustico durante il tempo di cottura per ricordare all'utente di girare il cibo per una cottura uniforme. Premere START / QUICK START per riprendere. 3.Per popcorn e torta, c'è solo un peso da scegliere. 4.Per le patate intere, potrebbe essere necessario usare il sacchetto del microonde durante la cottura. 5.Per il riscaldamento o gli spaghetti, è necessario utilizzare gli utensili a microonde o la pellicola trasparente durante la cottura.
2	Caffè (200 ml ciascuno)	
3	Popcorn (99g)	
4	Auto Reheat (g)	
5	Spaghetti (g)	
6	Pizza (g)	
7	Pollo(g)	
8	Torta (475g)	

Il risultato della cottura automatica dipende da fattori quali la fluttuazione di tensione, la forma e le dimensioni del cibo, la vostra preferenza personale per quanto riguarda il grado di cottura di alcuni alimenti e come posizionate il cibo nel forno. Se si ha risultato in ogni caso non del tutto soddisfacente, si prega di regolare il tempo di cottura di conseguenza.

ALTRE CARATTERISTICHE

SICUREZZA BAMBINI PROV

Il blocco a prova di bambino impedisce l'uso non sorvegliato a bambini piccoli. Per impostare il blocco a prova di bambino: Premere e tenere premuto il tasto PAUSE / CANCEL per 3 secondi, quindi viene emesso un segnale acustico e la spia si accende. Nello stato di blocco, tutti i pulsanti sono disabilitati. Per annullare il blocco a prova di bambino: Premere e tenere premuto tasto PAUSE / CANCEL per 3 secondi, quindi viene emesso un segnale acustico e la spia si accenderà.

FUNZIONE RISPARMIO ENERGETICO

Premere e tenere premuto il tasto POWER SAVE per 3 secondi, quindi viene emesso un segnale acustico e il display si spegne, il sistema entra in modalità di risparmio energetico. Premere un pulsante qualsiasi, per riattivare lo schermo.

COTTURA EXPRESS

Usare questa funzione per programmare il forno a microonde al 100% della sua potenza.

In modalità stand-by, premere START / QUICK START in rapida successione per impostare il tempo di cottura, il forno inizia a funzionare immediatamente. Il tempo massimo di cottura che può essere impostato è di 10 minuti.

MECCANISMO DI PROTEZIONE AUTOMATICO

1. Quando il sistema entra in stato di protezione di temperatura altissima, il display digitale mostra "E01" e continua a suonare fino a quando il sistema torna alla condizione normale, successivamente premere "PAUSE/ CANCEL".
2. Quando il sistema entra in stato di super-protezione bassa temperatura, il display digitale mostra "E02" e continua a suonare fino a quando il sistema torna alla condizione normale, successivamente premere "PAUSE/ CANCEL".
3. Il sistema entra in modalità di protezione quando il sensore sistema è aperto / corto circuito. Sul display appare "E03" e continua a suonare fino a quando si preme il tasto " PAUSE/ CANCEL ". Chiamare il servizio consumatori per controllare e sostituire il sensore difettoso.
4. RAFFREDDAMENTO - Il sistema di controllo del forno a microonde ha la funzione di raffreddamento. Come per qualsiasi tipo di cottura con tempo di cottura superiore a 2 minuti, dopo aver terminato la cottura, la ventola forno funziona automaticamente per circa 3 minuti per raffreddare il forno per prolungare la vita del forno stesso.

PULIZIA E CURA

1. Spegner il forno ed estrarre la spina dalla presa di corrente prima di pulirlo
2. Mantenere l'interno del forno pulito. Quando schizzi di cibo o liquidi versati aderiscono alle pareti del forno, pulire con un panno umido. Un detergente delicato può essere utilizzato se il forno è sporco. Evitare l'uso di spray e altri detersivi aggressivi in quanto potrebbero macchiare, graffiare o opacizzare la superficie della porta.
3. Le superfici esterne devono essere pulite con un panno umido. Per evitare danni alle parti che operano all'interno del forno, l'acqua non dovrebbe mai penetrare nelle aperture di ventilazione.
4. Pulire frequentemente la porta e la finestra su entrambi i lati, le guarnizioni della porta e le parti adiacenti con un panno umido per rimuovere eventuali fuoriuscite o schizzi. Non utilizzare detersivi abrasivi.
5. Non lasciare che il pannello di controllo si bagni. Pulire con un panno morbido e umido. Durante la pulizia del pannello di controllo, lasciare la porta del forno aperta per evitare l'accensione accidentale del forno.
6. Se il vapore si accumula all'interno o intorno alla parte esterna della porta del forno, pulire con un panno morbido. Questo si può verificare quando il forno è in funzione in condizioni di elevata umidità. Ed è normale.
7. Occasionalmente è necessario rimuovere il vassoio di vetro per la pulizia. Lavare il vassoio in acqua saponata calda o in lavastoviglie.
8. L'anello rotante e il pavimento del forno devono essere puliti regolarmente per evitare un rumore eccessivo. Basta pulire la superficie di fondo del forno con detergente delicato. L'anello rotante può essere lavato in acqua saponata o lavastoviglie. Quando si rimuove l'anello del rullo dal pavimento della cavità per la pulizia, accertarsi di riporlo poi nella posizione corretta.
9. Rimuovere gli odori dal vostro forno mediante l'utilizzo di una tazza di acqua con il succo e la buccia di un limone in una ciotola per microonde profonda, e lascia funzionare il forno a microonde per 5 minuti. Pulire accuratamente e asciugare con un panno morbido.

10. Quando diventa necessario sostituire la luce del forno, si prega di rivolgersi a un rivenditore per la sostituzione.
11. Il forno deve essere pulito regolarmente per eliminare eventuali resti di cibo. L'incapacità di mantenere il forno in condizioni pulite può provocare deterioramenti della superficie che possono influenzare negativamente la durata dell'apparecchio e causare situazioni pericolose.
12. Si prega di non gettare questo apparecchio nella spazzatura domestica, dovrebbe essere portato al centro di smaltimento fornito dai comuni.
13. Quando il forno a microonde in funzione grill viene usato per la prima, può produrre del fumo e del cattivo odore. Questo è un fenomeno normale, perché il forno è costituito da una piastra di acciaio rivestita con olio lubrificante, e il nuovo forno produrrà fumi e odori generati dalla combustione dell'olio lubrificante. Questo fenomeno scomparirà dopo un certo periodo di utilizzo.

AMBIENTE

ATTENZIONE:

Non gettare quest' apparecchio tra i rifiuti domestici. Per questo tipo di prodotti è fornito dai comuni un sistema di raccolta e ritiro in zona ed è quindi un dovere informarsi per conoscere il giusto smistamento del rifiuto. Infatti, i prodotti elettrici ed elettronici possono contenere sostanze pericolose che hanno effetti dannosi sull'ambiente o sulla nostra salute e quindi devono essere riciclati. Il simbolo al lato indica che le apparecchiature elettriche ed elettroniche fanno parte di una raccolta selettiva e differenziata (rappresentata da un bidone su due ruote sbarrato da una croce).

