

Instruction Manual

Manuel d'instructions
Bedienungsanleitung
Gebruiksaanwijzing
Manual de instrucciones
Manuale d'uso
Manual de instruções



Vintage mini bar 31 L

Mini bar vintage 31 L
Vintage-Mini-Bar 31 L
Vintage minibar 31 L
Mini bar vintage 31 L
Mini bar vintage 31 L
Mini bar vintage 31 L



ENGLISH

WARNING:

1. This appliance may be used by persons with reduced physical, sensory or mental capabilities or lack of experience and knowledge provided they have received supervision or instruction in the safe use of the appliance and understand the hazards involved.
2. Children should be supervised to ensure that they do not play with the appliance.
3. This appliance may be used by children of at least 8 years of age, as long as they are supervised and have been given instructions about using the appliance safely and are fully aware of the dangers involved.
4. Cleaning and maintenance should not be carried out by children unless they are at least 8 years of age and are supervised by an adult.
5. Keep the appliance and its power cord out of reach of children under 8 years of age.
6. When using electrical equipment,

safety precautions must always be taken to prevent the risk of fire, electric shock and/or injury in the event of misuse.

7. Make sure that the voltage rating on the typeplate corresponds to your main voltage of your installation. If this is not the case, contact the dealer and do not connect the unit.

8. If the supply cord is damaged, it must be replaced by the manufacturer, its service agent or similarly qualified persons in order to avoid a hazard.

9. To avoid a hazard due to instability of the appliance, it must be fixed in accordance with the instructions.

10. When positioning the appliance, ensure the supply cord is not trapped or damaged.

11. Do not locate multiple portable socket-outlets or portable power supplies at the rear of the appliance.

12. Keep ventilation openings, in the appliance enclosure or in the built-in structure, clear of obstruction.

13. Do not use mechanical devices or other means to accelerate the defrosting process, other than those recommended by the manufacturer.

14. Do not damage the refrigerant circuit.
15. Do not use electrical appliances inside the drink storage compartments of the appliance, unless they are of the type recommended by the manufacturer.
16. Do not store explosive substances such as aerosol cans with a flammable propellant in this appliance.
17. Children aged from 3 to 8 years are allowed to load and unload refrigerating appliances.
18. The device must not be used if it has been dropped, if obvious signs of damage are visible or if it has leaks.
19. Please keep this document at hand and give it to the future owner in case of transfer of your device.
20. Do not operate this appliance if it has a damaged cord or plug, if it is not working properly or if it has been damaged or dropped. If the supply cord is damaged, it must be replaced by the manufacturer or its service agent or a similarly qualified person in order to avoid a hazard.
21. Read the operating instructions

carefully before putting the appliance into operation and keep the instructions including the warranty, the receipt and, if possible, the box with the internal packing. If you give this device to other people, please also pass on the operating instructions.

22. This appliance is intended to be used in household and similar applications such as

- staff kitchen areas in shops, offices and other working environments;

- farm houses and by clients in hotels, motels and other residential type environments;

- bed and breakfast type environments;

- catering and similar non-retail applications.

23. To avoid contamination of drink, please respect the following instructions:

- Opening the door for long periods can cause a significant increase of the temperature in the compartments of the appliance.

- Clean regularly surfaces that can come in contact with drink and accessible drainage systems.

-Clean water tanks if they have not been used for 48 h, flush the water system connected to a water supply if water has not been drawn for 5 days.

-If the refrigerating appliance is left empty for long periods, switch off, defrost, clean, dry, and leave the door open to prevent mould developing within the

-appliance.

Note:

The refrigerant gas contained in the circuit of this appliance is isobutane (R600a), a low-polluting but flammable gas.

- When transporting and installing the appliance, take care not to damage any part of the refrigerant circuit.

- Do not use any sharp or pointed tools to defrost the unit.

- Do not use any electrical appliances inside the unit.

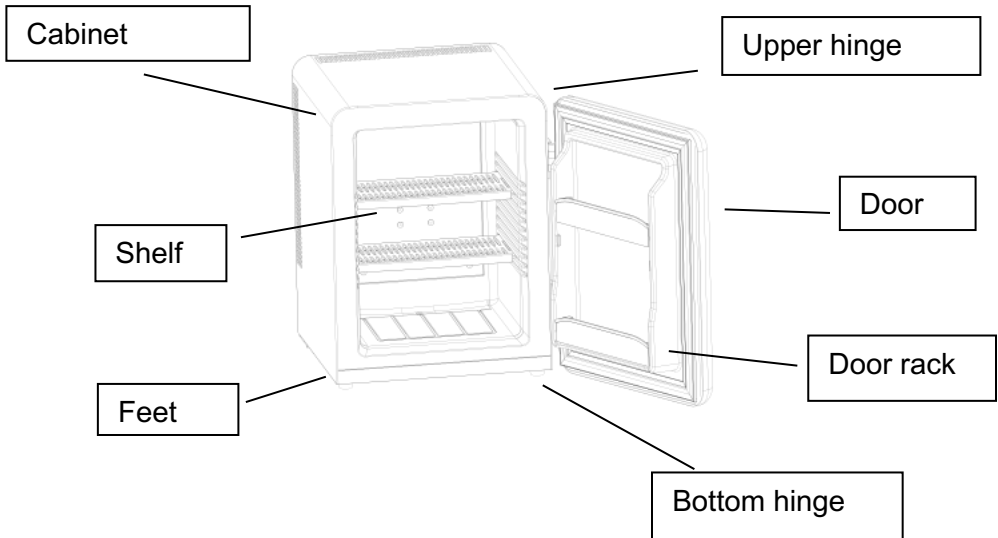
If the refrigeration system is damaged:

Do not use a flame near the appliance.

Avoid sparks - do not light any electrical appliance or electric lamp.

Ventilate the room immediately

Indication of Parts



Operating your refrigerator

Temperature Control



Setting the Temperature Control

- Your refrigerator has only one control for regulating the temperature. The temperature control is located on the top of the refrigerator inside
- To control the internal temperature, adjust the control knob according to the ambient temperature or purpose of use.
- The range of the temperature control is from position "0" to "3".

• **Instruction for use**

Note

- Position your refrigerator so that the plug is accessible.
- Keep your refrigerator out of direct sunlight.
- Do not place next to heat generating appliance.
- Do not place directly on the ground. Provide suitable stand.

Very important

- The refrigerator will have better performance at ambient of 20-25 degree; We suggest the refrigerator be powered off if the ambient temperature is lower than 10 degree.
- After plugging the appliance, allow the unit to cool down for 2-3 hours before placing beverage into the refrigerator compartment.
- Ventilation is very important for this kind thermoelectric refrigerator; The inside PCB will be broken easily if the ventilation is bad; It will also reduce the life of the refrigerator.
- The refrigerator applies automatic defrosting system, so there is no need to defrost it manually.

Power supply

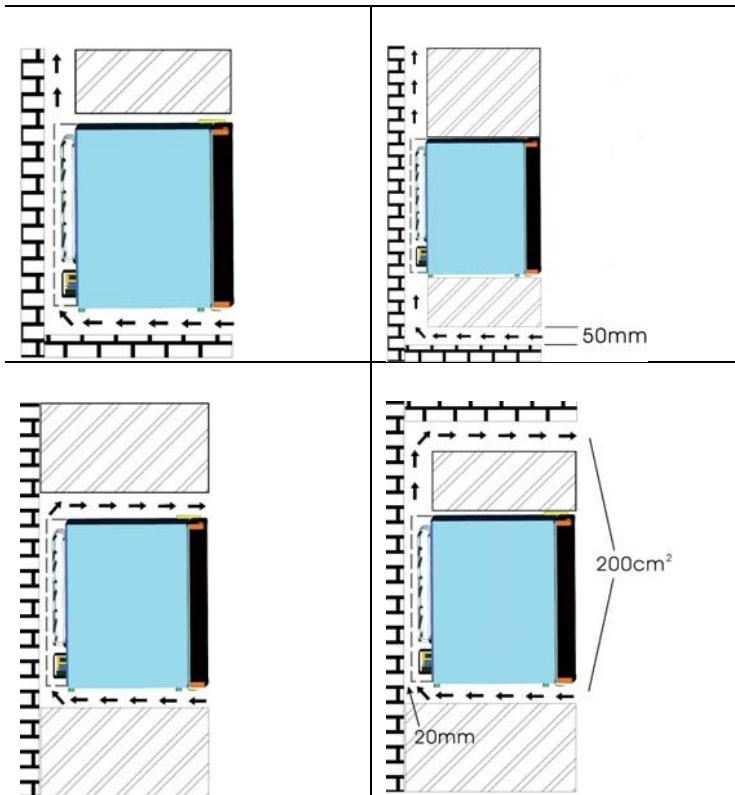
- The refrigerator must be connected to a properly earthed socket in line with relevant valid country regulations before operating;
- Check the data label (which is on the side of the refrigerator) for voltage and frequency corresponds to your local one; If not, don't plug your cable into the socket;

WARNING: To avoid a hazard due to instability of the appliance, it must be fixed in accordance with the instruction.

Installation instructions

When install a Heat pipe Refrigerator, ventilation should be considered seriously, please refer to the following:

- There should be left at least 200 cm³ for ventilation
- The distance between wall and refrigerator side should be at least 20mm
- The bottom should be left at least 50mm for air flowing air passing through must not be preheated
- Entire cooling system should be considered in the ventilation
- The following four pictures show four installation ways:



Changing the Swing Hinge

This refrigerator has the capability of the door opening from either the left or right side. The unit is delivered to you with the door opening from the left side. Should you desire to reverse the opening direction, please follow the below instructions.

All the hinge can be used for left or right swing, except for model BCH-40 and BCH-42, please find an additional left upper hinge in the bag of the user manual for installation as below.

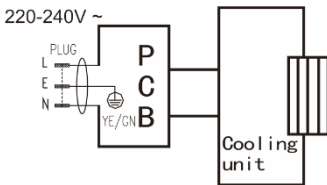
- Pull out the three screws from right hinge.
- Remove the hinge (upper and lower) away.
- Install the door in suitable position with hinges, use three self-screws to fix them.

Trouble Shooting Guide

PROBLEM	POSSIBLE CAUSE
Refrigerator does not operate	Not plugged in. The circuit breaker tripped or a blown fuse.
Refrigerator does not operate.	The room temperature is hotter than normal. The door is opened too often. The door is not closed completely. The temperature control is not set correctly. The door gasket does not seal properly. The refrigerator does not have the correct clearances. Abnormal voltage.
The light does not work.	Not plugged in. The circuit breaker tripped or a blown fuse. The LED light has burned out.

Vibrations.	Check to assure that the refrigerator is level.
The door will not close properly.	The refrigerator is not level. The door was reversed and not properly installed. The gasket is dirty. The shelves, bins, or baskets are out of position.

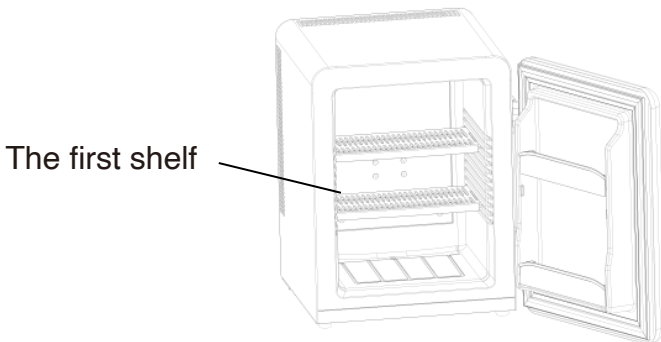
Electric Diagram



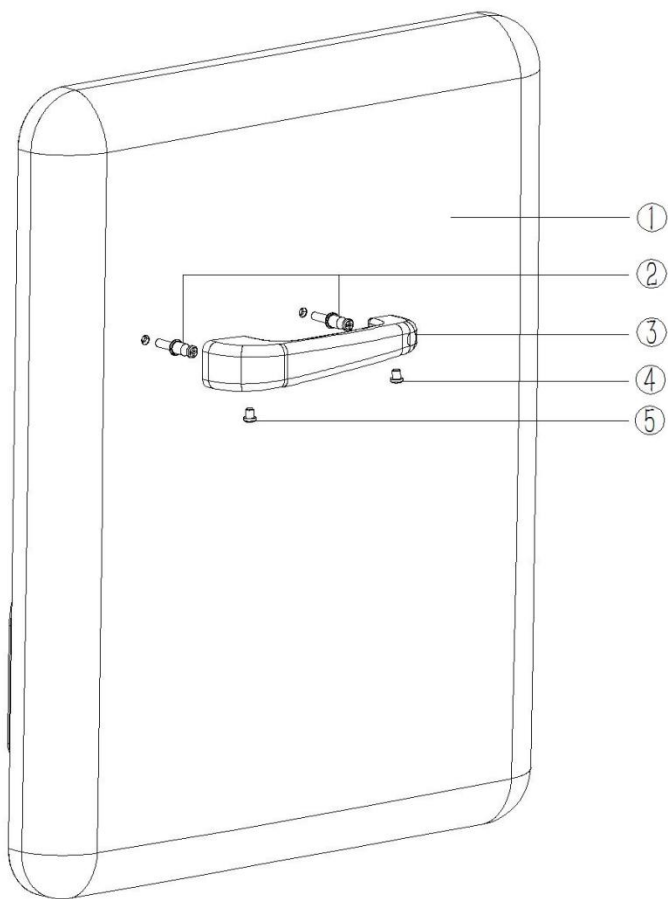
- Energy Saving Tips
- The refrigerator should be located in the coolest area of the room, away from heat producing appliances, and out of the direct sunlight.
- Overloading the refrigerator forces the thermoelectric cooling system to run longer.
- Reduce door openings and extended searches, remove as many item as needed at one time, and close the door as soon as possible.
- One characteristic of heat-pipe units is the length of time it requires to recover from having the door opened and shut frequently. It may be necessary to wait longer for the temperature to return to its former level once the door has been opened for too long. This is normal for the type of unit.
- Heat-pipe technology costs just pennies to operate. It is environmentally friendly due to the lack of CFC's.

PRODUCT FUNCTION DESCRIPTION

1. It is intended to be used exclusively for the cellar.
2. This refrigerating appliance is not suitable for the freezing foodstuffs.
3. The cellar is recommended to be designed at 12°C.
4. The shelves placed in factory mode is the most efficient use of energy for the refrigerating appliances.
5. The following combination of shelves is recommended for energy to be used as efficiently as possible by the refrigeration unit.



6. When the surrounding temperature is 25°C and the cellar has no load, it will take around 3.5 hours to decrease the cellar's temperature from 25°C to 12°C.
7. The cellar is recommended to be designed at 12°C. The energy consumption is 0.356kWh/24h. If the setting temperature is higher than 12°C, the energy consumption will be lower. If the setting temperature is lower than 12°C, the energy consumption will be higher.



Parts list:

- ① Door
- ② Set bolt
- ③ Handle
- ④ Screw M5*6
- ⑤ Screw M5*8

Installation guide:

1. Fix the set bolt on the door .
2. Insert the handle into the set bolt.
3. Lock the handle from the bottom by screws.

TECHNICAL DATA

Model No. ()	
Net Volume liters	23
Voltage (V)	220-240
Frequency (Hz)	50/60
Rated Power (W)	58
Dimension (mm)	380x370x476
Packing (mm)	450x445x540
Net Weight (kg)	10.0
Gross Weight (kg)	11.5
Approval	CB/CE



Symbol ISO 7010 W021

Warning; Risk of fire/flammable materials

Product Information Sheet

COMMISSION DELEGATED REGULATION (EU) 2019/2016 with regard to energy labelling of refrigerating appliances

Supplier's name or trade mark: HKOENIG

Supplier's address: Qualité, RUE MARC SEGUIN 8, 77290 COMPANS, FR

Model identifier: TOAD9

Type of refrigerating appliance:

Low-noise appliance:	Yes	Design type:	freestanding
Wine storage appliance:	No	Other refrigerating appliance:	No

General product parameters:

Parameter	Value	Parameter	Value
Overall dimensions (millimetre)	Height	Total volume (dm ³ or l)	31
	Width		
	Depth		
EEL	99	Energy efficiency class	E
Airborne acoustical noise emissions (dB(A) re 1 pW)	24	Airborne acoustical noise emission class	A
Annual energy consumption (kWh/a)	76	Climate class:	temperate
Minimum ambient temperature (°C), for which the refrigerating appliance is suitable	16	Maximum ambient temperature (°C), for which the refrigerating appliance is suitable	32
Winter setting	No		

Compartment Parameters:

		Compartment parameters and values			
Compartment type	Compartment Volume (dm ³ or l)	Recommended temperature setting for optimised food storage (°C) These settings shall not contradict the storage conditions set out in Annex IV, Table 3	Freezing capacity (kg/24h)	Defrosting type (auto-defrost=A, manual defrost=M)	
Pantry	No	-	-	-	-

Wine storage	No	-	-	-	-
Cellar	Yes	31,0	12	-	A
Fresh food	No	-	-	-	-
Chill	No	-	-	-	-
0-star or ice-making	No	-	-	-	-
1-star	No	-	-	-	-
2-star	No	-	-	-	-
3-star	No	-	-	-	-
4-star	No	-	-	-	-
2-star section	No	-	-	-	-
Variable temperature compartment	-	-	-	-	-
Light source parameters:					
Type of light source			-		
Energy efficiency class			-		
Minimum duration of the guarantee offered by the manufacturer: 24 months					
Additional information:					
Weblink to the supplier's website, where the information in point 4 of Annex II of Commission Regulation (EU) 2019/2019 is found: www.hkoenig.com					

WARRANTY

The warranty period for our products is 2 years, unless otherwise stated, starting from the date of initial purchase or the date of delivery.

If you have any problems or questions, you can easily access our help pages, troubleshooting tips, FAQ, and user manuals on our service site:

<https://sav.hkoenig.com>. By typing the reference name of your device in the search bar, you can access all available online support, designed to best meet your needs.

If you still cannot find an answer to your question or problem, then click on “Did the answers solve your problem?”. This will direct you to the Customer Support Request Form, which you can fill out to validate your request and get help.

WARRANTY CONDITIONS

The warranty covers all failures occurring under normal use, in accordance with the usage and specifications in the user's manual.

This warranty does not apply to packaging or transportation problems during shipment of the product by the owner. It also does not include normal wear and tear of the product, normal maintenance or replacement of consumable parts.

EXCLUSION OF WARRANTY

- Accessories and wearing parts (*).
- Normal maintenance of the device.
- All breakdowns resulting from improper use (shocks, failure to comply with power supply recommendations, poor conditions of use, etc.), insufficient maintenance or misuse of the device, as well as the use of unsuitable accessories.
- Damage of external origin: fire, water damage, electrical surge, etc.
- Any equipment that has been disassembled, even partially, by persons other than those authorized to do so (notably the user).
- The products whose serial number would be missing, deteriorated or illegible that would not allow its identification.
- The products subjected to leasing, demonstration, or exhibition.

(*) Some parts of your device, called wear parts or consumables, deteriorate with time and frequency of use of your device. This wear and tear are normal but can be accentuated by poor conditions of use or maintenance of your device. These parts are therefore not covered by the warranty.

The accessories supplied with the device are also excluded from the warranty. They cannot be exchanged or refunded. However, some accessories can be purchased directly through our website: <https://sav.hkoenig.com/>.

ENVIRONMENT

CAUTION:



Do not dispose of this product as it has with other household products. There is a separation of this waste product into communities, you will need to inform your local authorities about the places where you can return this product. In fact, electrical and electronic products contain hazardous substances that have harmful effects on the environment or human health and should be recycled. The symbol here indicates that electrical and electronic equipment should be chosen carefully, a wheeled waste container is marked with a cross.

Adeva SAS / H.Koenig Europe - 8 rue Marc Seguin - 77290 Mityry Mory -
 France www.hkoenig.com - sav@hkoenig.com - contact@hkoenig.com
 - Tél: +33 1 64 67 00 05

FRANÇAIS

AVERTISSEMENT

1. Cet appareil peut être utilisé par des personnes ayant des capacités physiques, sensorielles ou mentales réduites ou un manque d'expérience et de connaissances, à condition qu'elles aient reçu des instructions ou qu'elles soient supervisées pour utiliser l'appareil en toute sécurité, et qu'elles comprennent les dangers encourus.

2. Les enfants doivent être surveillés pour s'assurer qu'ils ne jouent pas avec l'appareil.

3. Cet appareil peut être utilisé par des enfants âgés d'au moins 8 ans, à condition qu'ils soient surveillés et qu'ils aient reçu des instructions sur l'utilisation de l'appareil en toute sécurité, et qu'ils soient pleinement conscients des dangers encourus.

4. Le nettoyage et l'entretien ne doivent pas être effectués par des enfants, sauf s'ils ont au moins 8 ans et sont supervisés par un adulte.

5. Gardez l'appareil et son cordon d'alimentation hors de portée des

enfants de moins de 8 ans.

6. Lors de l'utilisation d'un équipement électrique, des précautions de sécurité doivent toujours être prises pour éviter tout risque d'incendie, de décharge électrique et/ou de blessure en cas de mauvaise utilisation.

7. Assurez-vous que la tension nominale sur la plaque correspond à la tension principale de votre installation. Si ce n'est pas le cas, contactez le revendeur et ne branchez pas l'appareil.

8. Si le cordon d'alimentation est endommagé, il doit être remplacé par le fabricant, son technicien ou toute autre personne de même qualification, afin d'éviter tout accident.

9. Pour éviter les risques dus à l'instabilité de l'appareil, il doit être fixé conformément aux instructions.

10. Quand vous positionnez l'appareil, assurez-vous que le cordon d'alimentation n'est pas coincé ou endommagé.

11. Ne placez pas plusieurs prises de courant portables ou blocs d'alimentation portables à l'arrière de l'appareil.

12. Assurez-vous que les grilles de ventilation de l'appareil ou de la structure intégrée ne sont pas obstruées.

13. N'utilisez pas de dispositif mécanique ni toute autre méthode non recommandée par le fabricant pour accélérer le processus de dégivrage.

14. N'endommagez pas le circuit de réfrigération.

15. N'utilisez pas d'appareils électriques à l'intérieur des compartiments du réfrigérateur, à moins qu'ils ne soient du type recommandé par le fabricant.

16. N'entreposez pas de substances explosives, tels que des aérosols à gaz propulseur inflammable, dans cet appareil.

17. Les enfants âgés de 3 à 8 ans sont autorisés à charger et décharger des appareils frigorifiques.

18. L'appareil ne doit pas être utilisé s'il est tombé, s'il présente des signes évidents de dommages ou des fuites.

19. Veuillez garder ce mode d'emploi à portée de main et le remettre au futur propriétaire en cas de transfert de votre

appareil.

20. N'utilisez pas cet appareil si son cordon ou sa fiche est endommagée, s'il ne fonctionne pas correctement, s'il a été abîmé ou est tombé par terre. Si le cordon d'alimentation est endommagé, il doit être remplacé par le fabricant, son technicien ou toute personne de même qualification pour éviter tout accident.

21. Lisez les instructions de fonctionnement avant d'utiliser l'appareil. Conservez précieusement le mode d'emploi, la garantie, le reçu, et si possible la boîte avec les emballages intérieurs. Si vous donnez cet appareil à une autre personne, veuillez également lui transmettre le mode d'emploi.

22. Cet appareil est conçu pour un usage domestique et analogue tel que :

- coin-cuisine réservé au personnel dans des magasins, bureaux et autres environnements de travail ;
- par des hôtes dans une ferme, un hôtel, motel ou autre environnement de type résidentiel ;
- hébergement de type chambre d'hôtes ;
- activités telles que la restauration et la

vente au détail

23. Pour éviter la contamination du vin, veuillez respecter les consignes suivantes :

- L'ouverture de la porte pendant de longues périodes peut entraîner une augmentation significative de la température dans les compartiments de l'appareil. Aussi, pensez à mettre ou retirer des bouteilles rapidement.

- Nettoyez régulièrement les surfaces qui sont en contact avec les boissons et les systèmes de drainage accessibles.

- Nettoyez les réservoirs d'eau propre s'ils n'ont pas été utilisés pendant 48 h, rincez le système d'eau raccordé à une source d'eau si l'eau n'a pas été aspirée pendant 5 jours.

- Si le minibar est laissé vide pendant de longues périodes, éteignez-le, décongelez, nettoyez, séchez et laissez la porte ouverte pour éviter le développement de moisissures dans l'appareil.

Remarque :

Le gaz réfrigérant contenu dans le circuit de cet appareil est l'isobutane (R600a), un gaz peu polluant mais inflammable.

- Lors du transport et de l'installation de l'appareil, veillez à ne pas endommager une partie quelconque du circuit de réfrigération.

- N'utilisez pas d'outils coupants ou pointus pour décongeler l'appareil.

- N'utilisez aucun dispositif électrique à l'intérieur de l'appareil.

Si le système de réfrigération est endommagé :

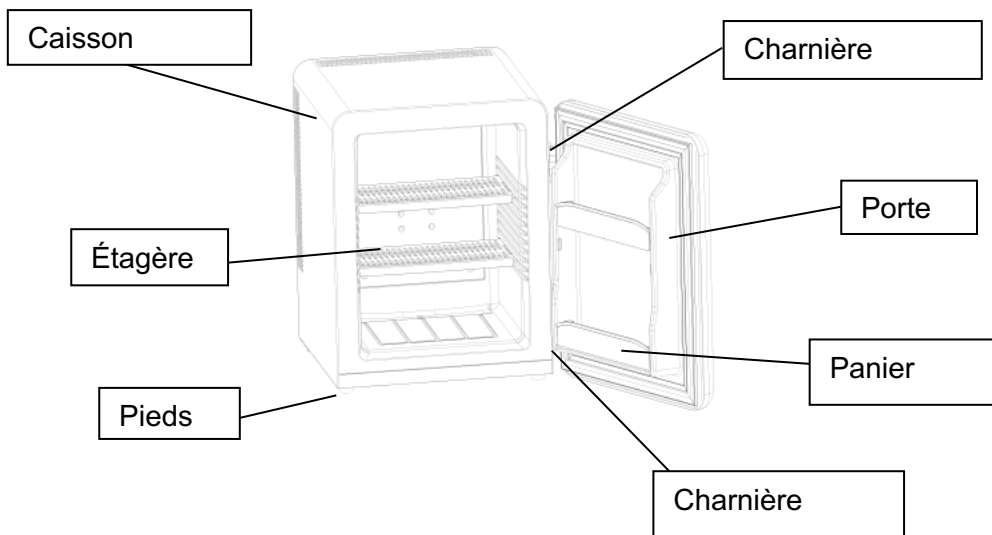
- N'approchez pas de flamme près de l'appareil.

- Évitez les étincelles.

- N'allumez aucun appareil électrique ou lampe électrique.

- Aérez la pièce immédiatement

Description



Utilisation de votre minibar

Contrôle de la température



Réglage du contrôle de température

- Votre minibar n'a qu'un seul contrôle pour réguler la température. Le régulateur de température est situé sur le dessus et à l'intérieur
- Pour contrôler la température interne, réglez le bouton de commande en fonction de la température ambiante ou de l'utilisation désirée.
- Le contrôle de température comprend 3 positions.

• **Instructions d'utilisation**

Remarque :

- Positionnez votre minibar de manière à ce que la prise soit accessible.
- Gardez-le à l'abri de la lumière directe du soleil.

- Ne le placez pas à côté d'un appareil dégageant de la chaleur.
- Évitez de placer l'appareil à même le sol. Fournissez un support approprié.

Très important

- Le minibar fonctionnera mieux si la température ambiante est de 20-25 degrés. Nous suggérons qu'il soit éteint si la température ambiante est inférieure à 10 degrés.
- Après avoir branché l'appareil, laissez-le refroidir pendant 2-3 heures avant de placer les bouteilles à l'intérieur.
- La ventilation est très importante pour ce type de réfrigérateur thermoélectrique. Le PCB intérieur se cassera facilement si la ventilation est mauvaise ; cela réduira également la durée de vie du réfrigérateur.
- Le minibar possède un système de dégivrage automatique, il n'est donc pas nécessaire de le dégivrer manuellement.

Alimentation électrique

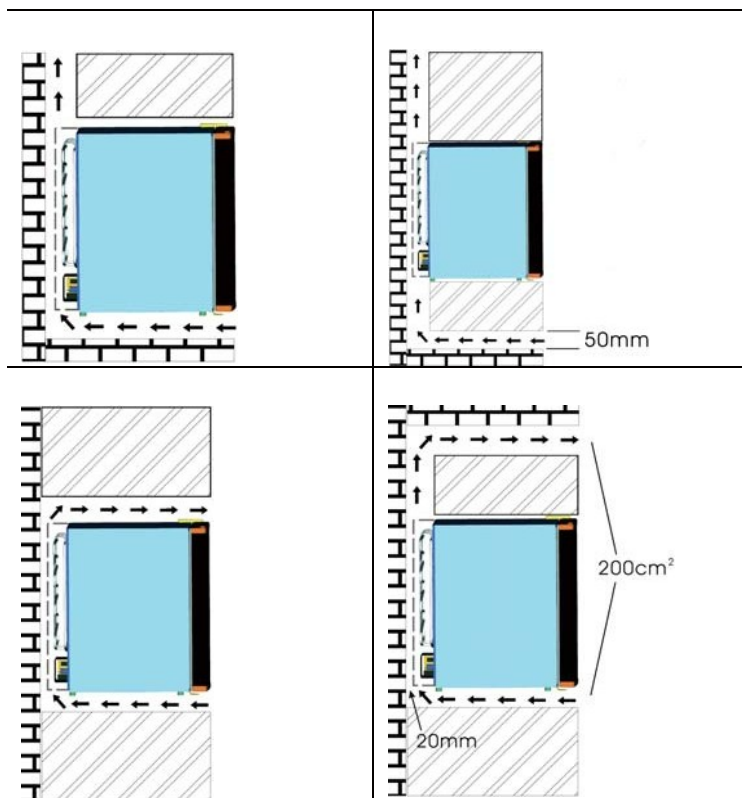
- Le minibar doit être branché à une prise de courant correctement mise à la terre conformément aux réglementations nationales en vigueur avant d'être utilisé.
- Vérifiez que la plaque signalétique (qui est sur le côté du réfrigérateur) correspond à la tension et à la fréquence de votre habitation ; sinon ne branchez pas l'appareil.

AVERTISSEMENT : Pour éviter un accident dû à l'instabilité de l'appareil, il doit être fixé conformément aux instructions.

Instructions d'installation

Lors de l'installation d'un réfrigérateur à caloduc, la ventilation doit être prise en compte sérieusement ; veuillez respecter les recommandations suivantes :

- Il faut laisser au moins 200 cm^3 pour la ventilation
- La distance entre le mur et le côté du minibar doit être d'au moins 2 cm
- Le fond doit être laissé au moins à 5 cm du mur pour que l'air circulant ne soit pas préchauffé
- L'ensemble du système de refroidissement doit être ventilé
- Les quatre images suivantes montrent quatre installations possibles :



Changement de la charnière pivotante

Ce minibar peut s'ouvrir vers la droite ou vers la gauche. Il est livré avec l'ouverture de la porte du côté gauche. Si vous souhaitez inverser le sens de l'ouverture, veuillez suivre les instructions ci-dessous.

Toutes les charnières peuvent être utilisées pour le pivotement à gauche ou à droite, à l'exception des modèles BCH-40 et BCH-42. Dans ce cas, vous trouverez une charnière supérieure gauche supplémentaire dans le sac du mode d'emploi pour l'installation suivante :

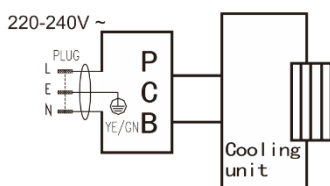
- Retirez les trois vis de la charnière droite.
- Retirez les charnières (supérieure et inférieure).
- Installez la porte dans une position appropriée avec des charnières, utilisez trois vis automatiques pour les fixer.

Guide de dépannage

PROBLÈME	CAUSE POSSIBLE
Le minibar ne fonctionne pas	Il n'est pas branché Le disjoncteur s'est déclenché ou un fusible a sauté.
Le minibar ne fonctionne pas	La température ambiante est plus chaude que la normale. La porte est ouverte trop souvent. La porte n'est pas complètement fermée. Le contrôle de température n'est pas bien réglé. Le joint de porte n'est pas hermétique. Le réfrigérateur n'a pas les espacements corrects. La tension est anormale.

La lumière ne s'allume pas	L'appareil n'est pas branché. Le disjoncteur s'est déclenché ou un fusible a sauté. La lumière LED est grillée.
Il y a des vibrations	Vérifiez que le minibar est à niveau.
La porte ne se ferme pas correctement	Le minibar n'est pas à niveau. La porte est inversée et mal installée. Le joint est sale. Les étagères, les bacs ou les paniers ne sont pas en position.

Schéma électrique

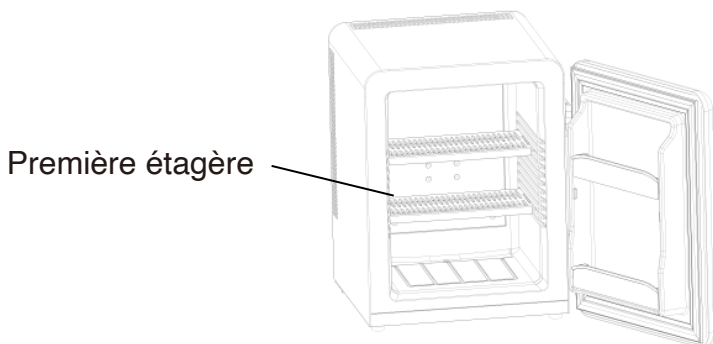


- Recommandations pour économiser l'énergie :
- L'appareil doit être situé à l'endroit le plus frais de la pièce, loin des sources de chaleur comme des radiateurs ou des conduites de chauffage, et de la lumière directe du soleil.
- Surcharger le minibar force le système de refroidissement thermoélectrique à fonctionner plus longtemps.
- Ouvrez l'appareil moins souvent et moins longtemps, retirez le plus de choses possibles en même temps et fermez la porte dès que possible.
- L'une des caractéristiques des appareils à caloduc est le temps qu'ils nécessitent pour récupérer des ouvertures fréquentes de la porte. Il peut être nécessaire d'attendre plus longtemps pour que la température revienne à son niveau antérieur une fois que la porte a été ouverte pendant trop longtemps. Ceci est normal pour ce type d'appareil.

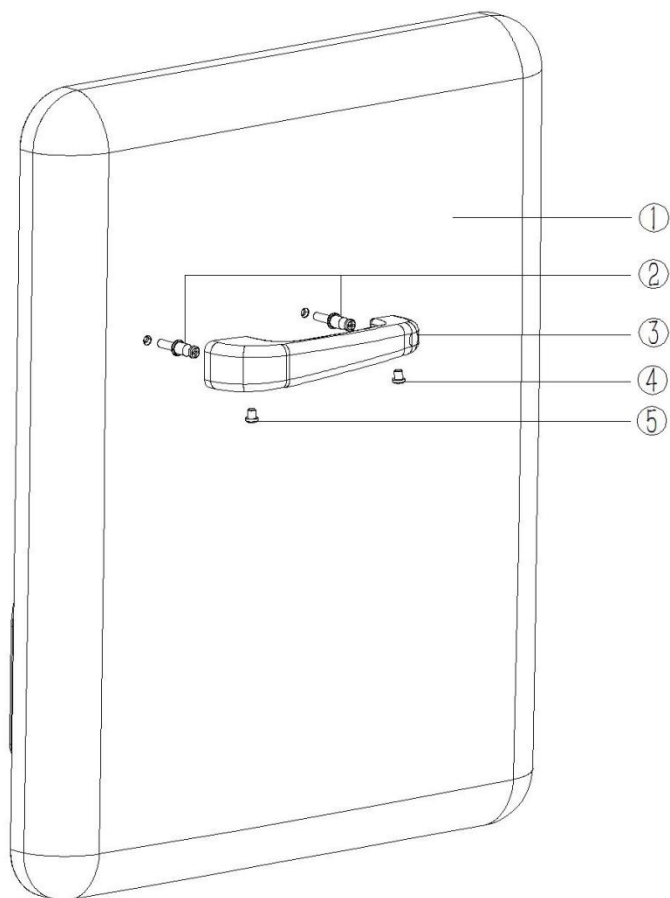
- Le fonctionnement des caloducs ne coûte que quelques centimes. Cette technologie est respectueuse de l'environnement en raison de l'absence de CFC.

UTILISATION DU PRODUIT

1. Il est destiné à être utilisé exclusivement comme cave.
2. Cet appareil frigorifique n'est pas adapté à la congélation des aliments.
3. La température de cave recommandée est de 12°C.
4. L'emplacement d'usine des étagères correspond au mode de fonctionnement le plus économique de l'appareil frigorifique.
5. L'installation des étagères suivante est recommandée pour que l'énergie soit utilisée aussi efficacement que possible par le minibar.



6. Lorsque la température environnante est de 25°C et que le réfrigérateur est vide, il lui faudra environ 3,5 heures pour abaisser la température à 12°C.
7. Il est conseillé de régler la température à 12°C. La consommation d'énergie est de 0,356 kWh par 24h. Si la température de réglage est supérieure à 12°C, la consommation d'énergie sera inférieure. Si la température de réglage est inférieure à 12°C, la consommation d'énergie sera plus élevée.



Liste des pièces :

1. Porte
2. Boulons de fixation
3. Poignée
4. Vis M5*6
5. Vis M5*8

Guide d'installation :

4. Installer les boulons de fixation sur la porte
5. Insérez la poignée dans les boulons de fixation
6. Fixez la poignée par le bas à l'aide des vis.

CARACTÉRISTIQUES TECHNIQUES

Volume net (L)	23
Tension (V)	220 - 240
Fréquence (Hz)	50 / 60
Puissance nominale (W)	58
Dimension (cm)	38 x 37 x 47,6
Emballage (cm)	45 x 44,5 x 54
Poids net (kg)	10,0
Poids brut (kg)	11,5
Approbation	CB/CE



Symbol ISO 7010 W021

Warning; Risk of fire/flammable materials

Fiche d'information sur le produit

RÈGLEMENT DÉLÉGUÉ (UE) 2019/2016 DE LA COMMISSION en ce qui concerne l'étiquetage énergétique des dispositifs d'affichage électronique

Nom du fournisseur ou marque commerciale. HKOENIG

Adresse du fournisseur: Qualité, RUE MARC SEGUIN 8, 77290 COMPANS, FR

Référence du modèle: TOAD9

Type d'appareil de réfrigération:

Appareil à faible niveau de bruit:	Oui	Type de construction:	à pose libre
------------------------------------	-----	-----------------------	--------------

Appareil de stockage du vin:	Non	Autre appareil de réfrigération:	Non
------------------------------	-----	----------------------------------	-----

Paramètres généraux du produit:

Paramètre		Valeur	Paramètre	Valeur
Dimensions hors tout (millimètres)	Hauteur	537	Volume total (dm ³ ou l)	31
	Largeur	402		
	Profondeur	435		
IEE		99	Classe d'efficacité énergétique	E
Émissions de bruit acoustique dans l'air [dB(A) re 1 pW]		24	Classe d'émission de bruit acoustique dans l'air	A
Consommation d'énergie annuelle (kWh/an)		76	Classe climatique:	tempérée
Température ambiante minimale (°C) à laquelle l'appareil de réfrigération est adapté		16	Température ambiante maximale (°C) à laquelle l'appareil de réfrigération est adapté	32
Réglage hiver		Non		

Paramètres des compartiments:

Paramètres et valeurs de compartiment				
Type de compartiment	Volume de compartiment (dm ³ ou l)	Réglage de température recommandé pour un stockage optimisé des denrées alimentaires (°C) Ces réglages ne doivent	Pouvoir de congélation (kg/24h)	Defrosting type (auto-defrost=A, manual defrost=M)

			pas être en contradiction avec les conditions de stockage prévues à l'annexe IV, tableau 3		
Garde-manger	Non	-	-	-	-
Stockage du vin	Non	-	-	-	-
Cave	Oui	31,0	12	-	A
Denrées alimentaires fraîches	Non	-	-	-	-
Denrées hautement périssables	Non	-	-	-	-
Sans étoile ou fabrication de glace	Non	-	-	-	-
1 étoile	Non	-	-	-	-
2 étoiles	Non	-	-	-	-
3 étoiles	Non	-	-	-	-
4 étoiles	Non	-	-	-	-
Zone 2 étoiles	Non	-	-	-	-
Compartment à température variable	-	-	-	-	-
Paramètres de la source lumineuse:					
Type de source lumineuse	-				
Classe d'efficacité énergétique	-				
Durée minimale de la garantie offerte par le fabricant: 24 mois					
Informations supplémentaires:					
Lien internet vers le site web du fabricant où se trouvent les informations visées au point 4 a) de l'annexe du règlement (UE) 2019/2019 de la Commission: www.hkoenig.com					

GARANTIE

La durée de garantie de nos produits est de 2 ans, sauf décret en vigueur, à compter de la date d'achat initiale ou la date de livraison.

En cas de problèmes ou d'interrogations, vous pouvez facilement accéder à nos pages d'aides, conseils de dépannage, FAQ et modes d'emplois sur notre site SAV : <https://sav.hkoenig.com>.

En tapant le nom de référence de votre appareil dans la barre de recherche, vous accédez à tous les supports en ligne disponibles, conçus pour vous répondre au mieux à vos besoins.

Si vous ne trouvez toujours pas de réponse à votre question ou votre problème, alors cliquez sur « Est-ce que la réponse a résolu votre problème ? ». Vous accédez alors au formulaire de demande d'assistance SAV, qu'il vous suffira de compléter pour valider votre demande et obtenir de l'aide.

CONDITIONS DE GARANTIE

La garantie couvre l'ensemble des pannes survenant dans le cadre d'une utilisation normale, conforme aux usages et spécifications présentes sur le manuel d'utilisation. Cette garantie ne s'applique pas aux problèmes d'emballage ou de transport pendant l'expédition du produit par son propriétaire. Elle n'inclut également pas l'usure normale du produit, ni la maintenance ou le remplacement de pièces consommables.

EXCLUSION DE GARANTIE

- Les accessoires et les pièces d'usure (*).
- L'entretien normal de l'appareil.
- Toutes pannes survenant par suite d'une mauvaise utilisation (chocs, non-respect des préconisations d'alimentation électrique, mauvaises conditions d'utilisation, etc.), d'un entretien insuffisant ou d'un détournement de fonction de l'appareil, ainsi que l'usage d'accessoires non appropriés.
- Les dommages d'origine externe : incendie, dégâts des eaux, surtension électrique, etc.
- Tout matériel qui aura été démonté même partiellement par des personnes autres que celles habilitées (notamment l'utilisateur).
- Les produits dont le numéro de série serait absent, détérioré ou illisible que ne permettrait pas son identification.
- Les produits soumis à la location, à la démonstration ou à l'exposition.

(*). Certaines pièces de votre appareil dites pièces d'usure ou consommables se détériorent avec le temps et la fréquence d'usage de votre appareil. Cette usure est normale, mais peut être accentuée par des mauvaises conditions d'utilisation ou d'entretien de votre appareil.

Ces pièces ne sont donc pas couvertes par la garantie.

Les accessoires fournis avec l'appareil sont également exclus du champ de la garantie. Ils ne peuvent donc être ni échangés, ni remboursés. Toutefois, certains accessoires peuvent être directement achetés via notre site : <https://sav.hkoenig.com/>.

ENVIRONNEMENT

ATTENTION :



Vous ne devez pas vous débarrasser de cet appareil avec vos déchets ménagers. Un système de collecte sélective pour ce type de produit est mis en place par les communes, vous devez vous renseigner auprès de votre mairie afin d'en connaître les emplacements. En effet, les produits électriques et électroniques peuvent contenir des substances dangereuses qui ont des effets néfastes sur l'environnement ou la santé humaine et doivent être recyclés. Le symbole ci-contre indique que les équipements électriques et électroniques font l'objet d'une collecte sélective, il représente une poubelle sur roues barrée d'une croix.

Adeva SAS / H.Koenig Europe - 8 rue Marc Seguin - 77290 Mitry Mory - France
www.hkoenig.com - sav@hkoenig.com - contact@hkoenig.com
- Tél: +33 1 64 67 00 05

DEUTSCH

ACHTUNG:

1. Dieses Gerät kann von Personen mit eingeschränkten körperlichen, sensorischen oder geistigen Fähigkeiten oder mangelnder Erfahrung und Kenntnis benutzt werden, sofern sie beaufsichtigt oder in die sichere Benutzung des Geräts eingewiesen wurden und die damit verbundenen Gefahren verstehen.

2. Kinder sollten beaufsichtigt werden, um sicherzustellen, dass sie nicht mit dem Gerät spielen.

3. Dieses Gerät kann von Kindern ab 8 Jahren verwendet werden, sofern sie beaufsichtigt werden und eine Anleitung zur sicheren Verwendung des Geräts erhalten haben und sich der damit verbundenen Gefahren bewusst sind.

4. Die Reinigung und Wartung sollte nicht von Kindern durchgeführt werden, es sei denn, sie sind

mindestens 8 Jahre alt und werden von einem Erwachsenen beaufsichtigt.

5. Bewahren Sie das Gerät und das Netzkabel außerhalb der Reichweite von Kindern unter 8 Jahren auf.

6. Bei der Verwendung elektrischer Geräte müssen stets Sicherheitsvorkehrungen getroffen werden, um die Gefahr eines Brandes, eines elektrischen Schlages und/oder von Verletzungen im Falle eines Missbrauchs zu vermeiden.

7. Vergewissern Sie sich, dass die Spannungsangabe auf dem Typenschild mit der Netzspannung Ihrer Anlage übereinstimmt. Sollte dies nicht der Fall sein, wenden Sie sich an den Händler und schließen Sie das Gerät nicht an.

8. Wenn das Netzkabel beschädigt ist, muss es durch den Hersteller, seinen Kundendienst oder ähnlich qualifizierte Personen ersetzt werden, um eine Gefährdung zu vermeiden.

9. Um eine Gefährdung durch eine Instabilität des Geräts zu vermeiden,

muss es gemäß den Anleitungen montiert werden.

10. Achten Sie beim Aufstellen des Geräts darauf, dass das Netzkabel nicht eingeklemmt oder beschädigt wird.

11. Bringen Sie keine Mehrfachsteckdosen oder tragbare Netzteile an der Rückseite des Geräts an.

12. Halten Sie die Lüftungsöffnungen im Gerätegehäuse oder in der Einbaukonstruktion unbedingt offen und frei von Hindernissen.

13. Verwenden Sie keine mechanischen Vorrichtungen oder andere Mittel zur Beschleunigung des Abtauprozesses, die nicht vom Hersteller empfohlen werden.

14. Der Kältemittelkreislauf darf nicht beschädigt werden.

15. Verwenden Sie keine elektrischen Geräte in den Getränkeaufächern des Geräts, es sei denn, es handelt sich um die vom

Hersteller empfohlenen Typen.

16. Bewahren Sie keine explosiven Stoffe wie Spraydosen mit brennbarem Treibmittel in diesem Gerät auf.

17. Kinder im Alter von 3 bis 8 Jahren dürfen Kühlgeräte ein- und ausladen.

18. Das Gerät darf nicht verwendet werden, wenn es heruntergefallen ist, offensichtliche Anzeichen von Beschädigungen aufweist oder undicht ist.

19. Bitte bewahren Sie dieses Dokument auf und geben Sie es dem zukünftigen Besitzer im Falle einer Weitergabe Ihres Geräts.

20. Nehmen Sie das Gerät nicht in Betrieb, wenn das Kabel oder der Stecker beschädigt ist, wenn es nicht richtig funktioniert oder wenn es beschädigt wurde oder heruntergefallen ist. Wenn das Netzkabel beschädigt ist, muss es vom Hersteller oder seinem Kundendienst oder einer ähnlich qualifizierten

Person ersetzt werden, um Gefahren zu vermeiden.

21. Lesen Sie die Bedienungsanleitung vor der Inbetriebnahme des Gerätes sorgfältig durch und bewahren Sie die Anleitung einschließlich des Garantiescheines, die Quittung und möglichst auch den Karton mit der inneren Verpackung auf. Wenn Sie dieses Gerät an andere Personen weitergeben, geben Sie bitte auch die Bedienungsanleitung weiter.

22. Dieses Gerät ist für die Verwendung in Haushalten und ähnlichen Anwendungen vorgesehen, wie zum Beispiel

- Küchenbereiche für das Personal in Geschäften, Betrieben und anderen Arbeitsumgebungen;
- Bauernhöfen und von Kunden in Hotels, Motels und anderen Wohnumgebungen;
- Bed-and-Breakfast-Umgebungen;
- Catering und ähnliche Nicht-Einzelhandelsanwendungen.

24. Um Verunreinigungen der Getränke zu vermeiden, beachten Sie bitte die folgenden Hinweise:

- Längeres Öffnen der Tür kann zu einem erheblichen Anstieg der Temperatur in den Fächern des Geräts führen.

- Reinigen Sie regelmäßig Oberflächen, die mit Getränken in Berührung kommen können, und zugängliche Abflusssysteme.

- Reinigen Sie die Wassertanks, wenn sie 48 Stunden lang nicht benutzt wurden, und spülen Sie das an eine Wasserversorgung angeschlossene Wassersystem, wenn 5 Tage lang kein Wasser entnommen wurde.

- Wenn das Kühlgerät längere Zeit nicht benutzt wird, schalten Sie es aus, tauen Sie es ab, reinigen Sie es, trocknen Sie es und lassen Sie die Tür offen, um Schimmelbildung im Gerät zu vermeiden.

Anmerkung:

Das im Kältemittelkreislauf dieses Geräts enthaltene Gas ist Isobutan (R600a), ein schadstoffarmes, aber brennbares Gas.

- Achten Sie beim Transport und bei der Installation des Geräts darauf, dass kein Teil des Kältemittelkreislaufs beschädigt wird.
- Verwenden Sie zum Abtauen des Geräts keine scharfen oder spitzen Werkzeuge.
- Verwenden Sie keine elektrischen Geräte im Inneren des Geräts.

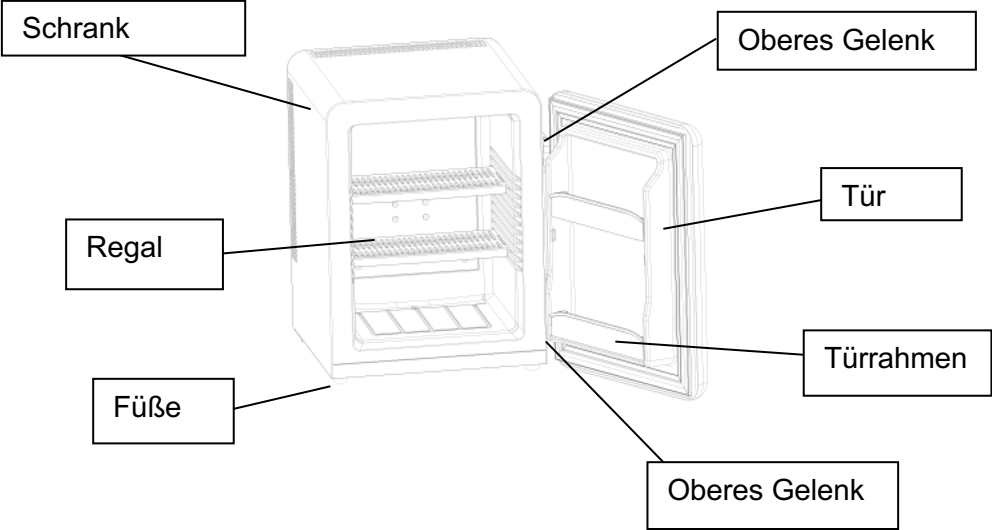
Wenn das Kühlsystem beschädigt ist:

Verwenden Sie keine Flamme in der Nähe des Geräts.

Vermeiden Sie Funkenbildung - zünden Sie keine Elektrogeräte oder elektrische Lampen an.

Lüften Sie den Raum sofort.

Anzeige der Komponenten



Bedienung Ihres Kühlschranks

Temperaturregelung



Einstellung der Temperaturregelung

- Ihr Kühlschrank hat nur einen Regler für die Temperatur. Der Temperaturregler befindet sich auf der Oberseite des Kühlschranks im Inneren.
- Um die Innentemperatur zu regeln, stellen Sie den Drehknopf je nach Umgebungstemperatur oder Verwendungszweck ein.
- Der Bereich des Temperaturreglers reicht von Position "0" bis "3".

Gebrauchsanweisung

Anmerkung

- Stellen Sie Ihren Kühlschrank so auf, dass der Stecker zugänglich ist.
- Schützen Sie den Kühlschrank vor direkter Sonneneinstrahlung.
- Stellen Sie ihn nicht in der Nähe eines wärmeerzeugenden Geräts auf.
- Stellen Sie ihn nicht direkt auf den Boden. Sorgen Sie für einen geeigneten Standplatz.

Sehr wichtig

- Der Kühlschrank hat eine bessere Leistung bei einer Umgebungstemperatur von 20-25 Grad; wir empfehlen, den Kühlschrank auszuschalten, wenn die Umgebungstemperatur unter 10 Grad liegt.
- Lassen Sie das Gerät nach dem Einstecken des Netzsteckers

2-3 Stunden lang abkühlen, bevor Sie Getränke in das Kühlfach stellen.

· Die Belüftung ist für diese Art von thermoelektrischen Kühlschränken sehr wichtig; die Innenplatte wird leicht beschädigt, wenn die Belüftung schlecht ist; Es wird auch die Lebensdauer des Kühlschranks reduzieren.

· Der Kühlschrank verfügt über ein automatisches Abtausystem, so dass er nicht manuell abgetaut werden muss.

Stromversorgung

· Der Kühlschrank muss vor dem Betrieb an eine ordnungsgemäß geerdete Steckdose angeschlossen werden, die den geltenden Landesvorschriften entspricht;

· Prüfen Sie auf dem Typenschild (das sich an der Seite des Kühlschranks befindet), ob die Spannung und Frequenz mit der in Ihrem Land geltenden übereinstimmt; ist dies nicht der Fall, schließen Sie das Kabel nicht an die Steckdose an;

ACHTUNG: Um eine Gefährdung durch Instabilität des Geräts zu vermeiden, muss es entsprechend der Anleitung montiert werden.

Installationsanleitung

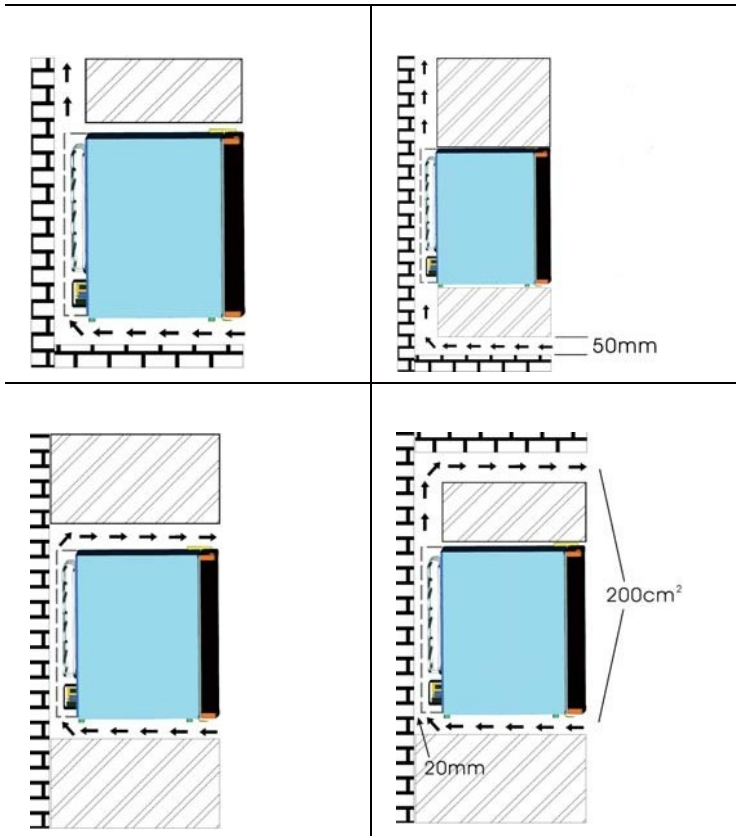
Bei der Installation eines Wärmerohr-Kühlschranks sollte die Belüftung ernsthaft in Betracht gezogen werden, bitte beachten Sie die folgenden Hinweise:

· Es sollten mindestens 200 cm³ für die Belüftung übrig bleiben.

· Der Abstand zwischen Wand und Kühlschrankseite sollte mindestens 20 mm betragen

· Der Boden sollte mindestens 50 mm für die Luftströmung freigehalten werden Die durchströmende Luft darf nicht vorgewärmt werden

- Das gesamte Kühlsystem sollte bei der Belüftung berücksichtigt werden.
- Die folgenden vier Bilder zeigen vier Installationsarten:



Auswechseln des Drehgelenks

Bei diesem Kühlschrank kann die Tür entweder von der linken oder von der rechten Seite geöffnet werden. Das Gerät wird so geliefert, dass die Tür von der linken Seite geöffnet wird. Sollten Sie die Öffnungsrichtung umkehren wollen, befolgen Sie bitte die nachstehenden Anweisungen.

Alle Scharniere können für den Links- oder Rechtsschwenk verwendet werden, mit Ausnahme der Modelle BCH-40 und BCH-42, für die Sie ein zusätzliches linkes oberes Scharnier in der Tasche der Bedienungsanleitung finden.

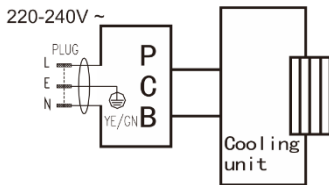
- Ziehen Sie die drei Schrauben des rechten Scharniers heraus.
- Entfernen Sie das Scharnier (oben und unten).
- Bringen Sie die Tür mit den Scharnieren in einer geeigneten Position an und befestigen Sie sie mit drei selbstschneidenden Schrauben.

Leitfaden zur Fehlerbehebung

PROBLEM	MÖGLICHE URSACHE
Der Kühlschrank funktioniert nicht	Not plugged in. The circuit breaker tripped or a blown fuse.

<p>Der Kühlschrank funktioniert nicht</p>	<p>Die Raumtemperatur ist heißer als normal. Die Tür wird zu oft geöffnet.</p> <p>Die Tür ist nicht vollständig geschlossen.</p> <p>Die Temperaturregelung ist nicht richtig eingestellt. Die Türdichtung dichtet nicht richtig ab.</p> <p>Der Kühlschrank hat nicht die richtigen Abstände.</p> <p>Abnormale Spannung.</p>
<p>Das Licht funktioniert nicht.</p>	<p>Nicht eingesteckt.</p> <p>Der Schutzschalter wurde ausgelöst oder eine Sicherung ist durchgebrannt.</p> <p>Die LED-Lampe ist durchgebrannt.</p>
<p>Vibrationen.</p>	<p>Vergewissern Sie sich, dass der Kühlschrank waagrecht steht.</p>
<p>Die Tür schließt nicht richtig.</p>	<p>Der Kühlschrank ist nicht waagrecht.</p> <p>Die Tür wurde umgedreht und nicht richtig eingebaut.</p> <p>Die Dichtung ist verschmutzt.</p> <p>Die Einlegeböden, Fächer oder Körbe sind nicht richtig positioniert.</p>

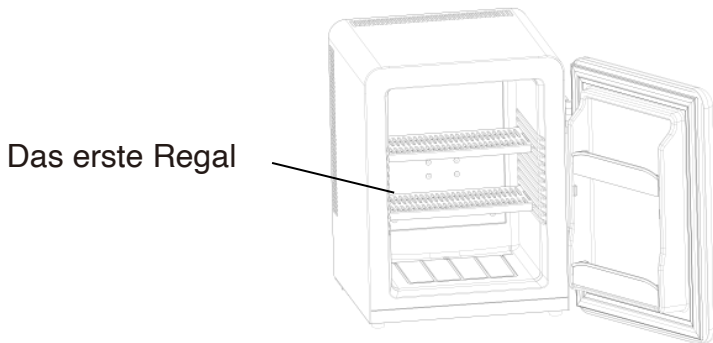
Elektrisches Diagramm



- Tipps zum Energiesparen
- Der Kühlschrank sollte im kältesten Bereich des Raumes, entfernt von wärmeerzeugenden Geräten und außerhalb des direkten Sonnenlichts aufgestellt werden.
- Eine Überlastung des Kühlschranks zwingt das thermoelektrische Kühlsystem, länger zu laufen.
- Verringern Sie Türöffnungen und längere Suchvorgänge, nehmen Sie nur so viele Artikel wie nötig auf einmal heraus und schließen Sie die Tür so schnell wie möglich.
- Eine Besonderheit von Heatpipe-Geräten ist die Zeit, die sie benötigen, um sich vom häufigen Öffnen und Schließen der Tür zu erholen. Wenn die Tür zu lange geöffnet war, muss unter Umständen länger gewartet werden, bis die Temperatur wieder auf das frühere Niveau gesunken ist. Das ist bei diesem Gerätetyp normal.
- Der Betrieb der Heatpipe-Technologie kostet nur ein paar Cent. Sie ist umweltfreundlich, da sie kein FCKW enthält.

BESCHREIBUNG DER PRODUKTFUNKTIONEN

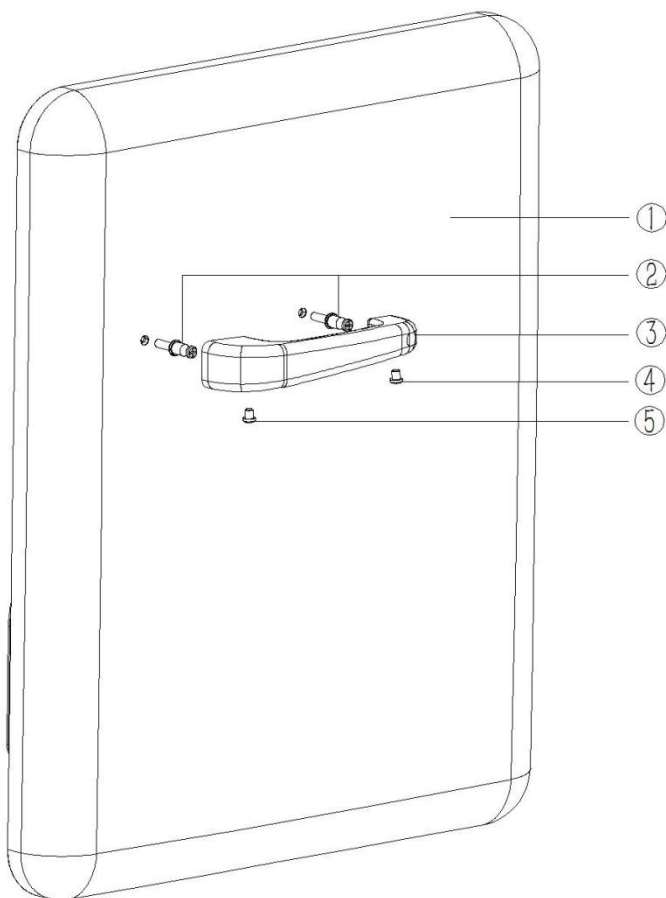
1. Es ist ausschließlich für den Keller bestimmt.
2. Dieses Kühlgerät ist nicht für das Einfrieren von Lebensmitteln geeignet.
3. Es wird empfohlen, den Keller auf 12°C auszulegen.
4. Die Einlegeböden im Werksmodus sind die effizienteste Nutzung der Energie für das Kühlgerät.
5. Damit das Kühlgerät die Energie so effizient wie möglich nutzt, wird die folgende Kombination von Einlegeböden empfohlen.



Wenn die Umgebungstemperatur 25°C beträgt und der Keller nicht belastet ist, dauert es etwa

3,5 Stunden, um die Temperatur im Keller von 25°C auf 12°C zu senken.

6. Es wird empfohlen, den Keller auf 12°C auszulegen. Der Energieverbrauch beträgt 0,356kWh/24h. Wenn die Einstellungstemperatur höher als 12°C ist, ist der Energieverbrauch niedriger. Wenn die Einstellungstemperatur niedriger als 12°C ist, ist der Energieverbrauch höher.



Bestandteile:

- ① Tür
- ② Schraube setzen
- ③ Griff
- ④ Schraube M5*6
- ⑤ Schraube M5*8

Installationsanleitung:

1. Befestigen Sie die Stellschraube an der Tür.
2. Setzen Sie den Griff in die Stellschraube ein.
3. Verriegeln Sie den Griff von unten mit Schrauben.

TECHNISCHE DATEN

Nettovolumen in Liter	23
Spannung (V)	220-240
Frequenz (Hz)	50 / 60
Nennleistung (W)	58
Abmessungen (mm)	380 x 370 x 476
Verpackung (mm)	450 x 445 x 540
Nettogewicht (kg)	10.0
Bruttogewicht (kg)	11.5
Zulassung	CB / CE



Symbol ISO 7010 W021

Warning; Risk of fire/flammable materials

Produktdatenblatt

DELEGIERTE VERORDNUNG (EU) 2019/2016 DER KOMMISSION zur Energieverbrauchskennzeichnung von Kühlgeräten

Name oder Handelsmarke des Lieferanten: HKOENIG

Anschrift des Lieferanten: Qualité, RUE MARC SEGUIN 8, 77290 COMPANS, FR

Modellkennung: TOAD9

Art des Kühlgeräts:

Geräuscharmes Gerät:	Ja	Bauart:	freistehend
----------------------	----	---------	-------------

Weinlagerschrank:	Nein	Anderes Kühlgerät:	Nein
-------------------	------	--------------------	------

Allgemeine Produktparameter:

Parameter		Wert	Parameter	Wert
Gesamtabmessungen (in Millimeter)	Höhe	537	Gesamtrauminhalt (in dm ³ oder l)	31
	Breite	402		
	Tiefe	435		
EEL	99	Energieeffizienzklasse	E	
Luftschallemissionen (in dB(A) re 1 pW)	24	Luftschallemissionsklasse	A	
Jährlicher Energieverbrauch (in kWh/a)	76	Klimaklasse:	gemäßigte Zone	
Mindestumgebungstemperatur (in °C), für die das Kühlgerät geeignet ist	16	Höchstumgebungstemperatur (in °C), für die das Kühlgerät geeignet ist	32	
Winterschaltung	Nein			

Fachparameter:

Fachparameter und #werte				
Fachtyp	Rauminhalt des Fachs (in dm ³ oder l)	Empfohlene Temperatureinstellung für eine optimierte Lebensmittellagerung (in °C) Diese Einstellungen dürfen nicht im Widerspruch zu den Lagerbedingungen nach Anhang IV	Gefrierermögen (in kg/24h)	Defrosting type (auto-defrost=A, manual defrost=M)

		Tabelle 3 stehen			
Speisekammerfach	Nein	-	-	-	-
Weinlagerfach	Nein	-	-	-	-
Kellerfach	Ja	31,0	12	-	A
Lagerfach für frische Lebensmittel	Nein	-	-	-	-
Kaltlagerfach	Nein	-	-	-	-
Null-Sterne- oder Eisbereiterfach	Nein	-	-	-	-
Ein-Stern-Fach	Nein	-	-	-	-
Zwei-Sterne-Fach	Nein	-	-	-	-
Drei-Sterne-Fach	Nein	-	-	-	-
Vier-Sterne-Fach	Nein	-	-	-	-
Zwei-Sterne-Abteil	Nein	-	-	-	-
Fach mit variabler Temperatur	-	-	-	-	-
Lichtquellenparameter:					
Art der Lichtquelle			-		
Energieeffizienzklasse			-		
Mindestlaufzeit der vom Hersteller angebotenen Garantie: 24 Monate					
Weitere Angaben:					
Weblink zur Website des Herstellers, auf der die Informationen gemäß Nummer 4 Buchstabe a des Anhangs der Verordnung (EU) 2019/2019 der Kommission zu finden sind: www.hkoenig.com					

GARANTIE

Die Garantiezeit für unsere Produkte beträgt 2 Jahre, sofern keine anderen Bestimmungengelten, ab dem Datum des ursprünglichen Kaufs oder ab dem Lieferdatum. Bei Problemen oder Fragen können Sie sich an unsere Hilfeseiten, Tipps zur Fehlerbehebung, FAQs und Bedienungsanleitungen auf unserer Kundendienst-Webseiten wenden: <https://sav.hkoenig.com>.

Wenn Sie den Referenznamen Ihres Geräts in die Suchleiste eingeben, erhalten Sie Zugang zu allen verfügbaren Online-Supports.

Wenn Sie immer noch keine Antwort auf Ihre Frage oder Ihr Problem finden, dann klicken Sie auf "Hat die Antwort Ihr Problem gelöst?". Sie können dieses Formular ausfüllen, um Ihre Anfrage zu bestätigen und Hilfe zu erhalten.

GARANTIEBEDINGUNGEN

Die Garantie deckt alle Defekte ab, die bei normalem, bestimmungsgemäßem Gebrauch und den in der Bedienungsanleitung enthaltenen Spezifikationen auftreten. Diese Garantie gilt nicht für Probleme mit der Verpackung oder dem Transport während des Versands des Produkts durch den Eigentümer. Sie umfasst auch nicht den normalen Verschleiß des Produkts, die Wartung oder den Austausch von Verschleißteilen.

AUSSCHLUSS DER GARANTIE

- Zubehör und Verschleißteile (*).
- Die normale Wartung des Geräts.
- Alle Defekte, die durch unsachgemäßen Gebrauch (Stöße, Nichteinhaltung der empfohlenen Stromzufuhr, schlechte Nutzungsbedingungen usw.), unzureichende Wartung oder Zweckentfremdung des Geräts auftreten, sowie die Verwendung von ungeeignetem Zubehör.
- Schäden durch äußere Einflüsse: Brand, Wasserschäden, elektrische Überspannung usw.
- Alle Geräte, die von anderen als den befugten Personen (insbesondere dem Nutzer) auch nur teilweise auseinandergelöst wurden.
- Produkte, deren Seriennummer fehlt, beschädigt oder unleserlich ist, sodass sie nicht identifiziert werden können.
- Produkte, die vermietet, vorgeführt oder ausgestellt werden.

(*) Einige Teile Ihres Geräts, die als Verschleißteile oder Verbrauchsmaterialien bezeichnet werden, verschleiben mit der Zeit und der Häufigkeit der Nutzung Ihres Geräts. Diese Abnutzung ist normal, kann aber durch falsche Nutzung oder Pflege Ihres Geräts noch verstärkt werden. Diese Teile sind daher nicht durch die Garantie abgedeckt. Das mit dem Gerät gelieferte Zubehör ist ebenfalls von der Garantie ausgeschlossen. Sie können daher weder umgetauscht noch ersetzt werden. Einige Zubehörteile können jedoch direkt über unsere Website <https://sav.hkoenig.com/> erworben werden.

UMWELT

ACHTUNG:



Werfen Sie nicht dieses Produkt, wie es mit anderen Haushaltsprodukten hat. Es gibt eine Mülltrennung von diesem Produkt in Gemeinden, Sie müssen Ihre lokalen Behörden über die Orte, wo man dieses Produkt zurückgeben können zu informieren. In der Tat enthalten elektrische und elektronische Produkte gefährliche Stoffe, die schädliche Auswirkungen auf die Umwelt oder die menschliche Gesundheit haben und sollte recycelt werden. Das Symbol hier darauf hinweisen, dass elektrische oder elektronische Geräte sollten sorgfältig ausgewählt werden, ist ein fahrbarer Abfallbehälter mit einem Kreuz markiert.

Adeva SAS / H.Koenig Europe - 8 rue Marc Seguin - 77290 Mityr Mory - France
www.hkoenig.com - sav@hkoenig.com - contact@hkoenig.com
- Tél: +33 1 64 67 00 05

NEDERLANDS

WAARSCHUWING:

1. Dit apparaat kan gebruikt worden door personen met beperkte geestelijke of lichamelijke capaciteiten, met een gebrek aan ervaring en kennis, zolang ze toezicht of instructies krijgen voor het veilig gebruik van dit apparaat en de bijbehorende gevaren begrijpen.
2. Kinderen moeten onder toezicht worden gehouden, om te verzekeren dat ze niet met het apparaat spelen.
3. Dit apparaat mag gebruikt worden door kinderen van minimaal 8 jaar als er toezicht wordt gehouden en ze instructies hebben gehad over hoe ze het apparaat moeten gebruiken en ze de gevaren begrijpen.
4. De reiniging en onderhoud mag niet worden uitgevoerd door kinderen tenzij ze 8 jaar of ouder zijn en er toezicht is.
5. Houd het apparaat en de stroomkabel uit de buurt van kinderen jonger dan 8 jaar.
6. Bij het gebruik van elektrische

apparaten moeten altijd de standaard veiligheidsinstructies worden opgevolgd om de kans op vuur, elektrische schokken en/of verwondingen te voorkomen.

7. Controleer dat de aangegeven spanning op het typeplaatje overeenkomt met de spanning van uw spanningsbron. Als dit niet het geval is, neem dan contact op met de dealer en sluit het apparaat niet aan.

8.

9. Als de stroomkabel beschadigd is, dient deze te worden vervangen door de fabrikant, een servicemonteur of een gelijkwaardig gekwalificeerd persoon om gevaren te vermijden.

10. Om gevaren te vermijden door instabiliteit van het apparaat, dient deze te worden geplaatst volgens de instructies.

11. Als u het apparaat plaatst dient u te zorgen dat de stroomkabel nergens klemt of beschadigd is.

12. Plaats geen verdeelstekkers of draagbare stroomvoorzieningen achter

het apparaat.

13. Houd de ventilatieopeningen van het apparaat, of het binnenwerk, vrij van obstructies.

14. Gebruik geen mechanische apparaten of andere middelen om het vries proces te versnellen, tenzij ze worden aanbevolen door de fabrikant.

15. Niet het koelcircuit beschadigen.

16. Gebruik geen elektrische apparaten in de drankruimtes van het apparaat, tenzij dit type wordt aanbevolen door de fabrikant.

17. Geen explosieve substantie zoals aerosol bussen met een brandbaar drijfgas in dit apparaat opslaan.

18. Kinderen van 3 tot 8 jaar mogen koelende apparaten vullen of legen.

19. Het apparaat mag niet gebruikt worden als het gevallen is, als er duidelijk zichtbare schade is of als het lekt.

20. Bewaar deze handleiding en geef het aan de toekomstige eigenaar als u het apparaat aan een ander geeft.

21. Niet het apparaat gebruiken als

deze een beschadigde kabel of stekker heeft, als het niet goed werkt of beschadigd of gevallen is. Als de stroomkabel beschadigd is, moet het worden vervangen door de fabrikant, een servicemonteur of een gelijkwaardig gekwalificeerd persoon om gevaren te vermijden.

22. Lees de gebruikershandleiding zorgvuldig door voordat u het apparaat gebruikt en bewaar de instructies inclusief de garantie, bon en indien mogelijk de doos met het verpakkingsmateriaal. Als u dit apparaat aan iemand anders geeft, geef dan ook de gebruikersinstructies mee.

23. Dit apparaat is bedoeld voor huishoudelijk gebruik en voor dergelijke situaties zoals:

- personeelsruimte in winkels, kantoren en andere werkomgevingen;
- herbergen en bij cliënten in hotels, motels en andere woontype-omgevingen;
- bed & breakfast-ingenious;
- catering en gelijkwaardige niet retail-

toepassingen.

24. Om contaminatie van drank te vermijden, dient u de volgende instructies op te volgen:

-Het voor langere tijd openen van de deur kan zorgen voor een significante stijging van de temperatuur in de compartimenten van het apparaat.

-Maak regelmatig oppervlaktes schoon die in contact kunnen komen met drank en toegankelijke afluatsystemen.

-Maak de watertanken schoon als deze langer dan 48 uur niet zijn gebruikt; spoel het watersysteem door als het water langer dan 5 dagen in het water zit.

-Als het koelapparaat langere tijd leeg is, schakel het uit, ontdooi het, maak het schoon, droog het af en laat de deur open om schimmelvorming te voorkomen in het apparaat.

Opmerking:

Het koelgas dat in het circuit zit van dit apparaat is isobutaan (R600a), een milieuvriendelijk maar brandbaar gas.

- Bij vervoer of plaatsing van het apparaat dient u ervoor te zorgen dat het koelcircuit niet beschadigd raakt.

- Gebruik geen scherpe of puntige hulpmiddelen om ijsvorming te verwijderen.

- Gebruik geen elektrische apparaten in het apparaat.

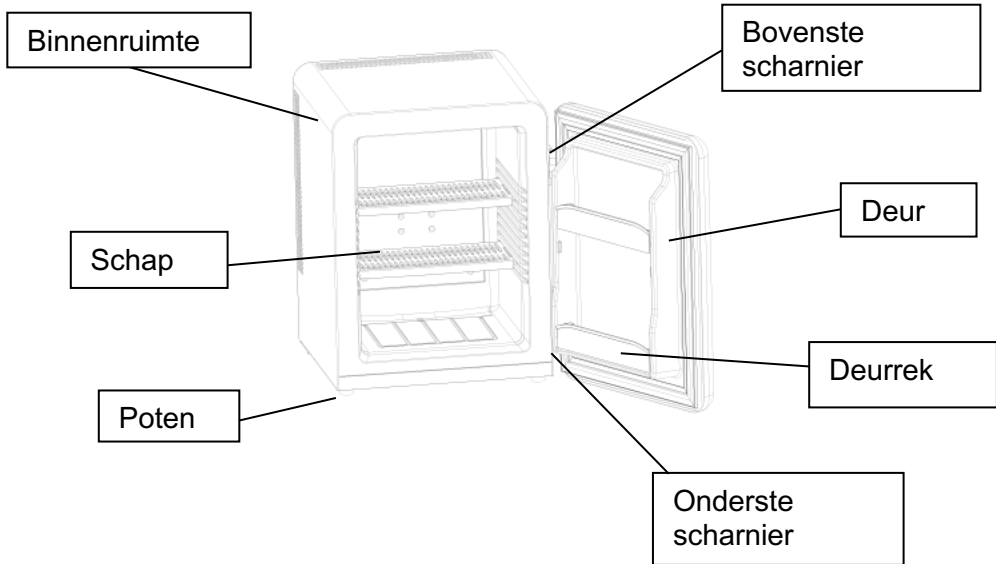
Als het koelcircuit beschadigd is:

Houdt geen open vuur in de nabijheid van het apparaat.

Vermijd vonken - schakel geen elektrische apparaten of lampen in.

Ventileer meteen de ruimte

Aanduiding van onderdelen



Gebruik van uw koeler

Temperatuurregeling



De temperatuurregeling instellen

- Uw koeler heeft maar één bediening voor de temperatuurregeling. De temperatuurregeling zit bovenin de binnenkant van de koeler.
- Om de binnentemperatuur aan te passen, stelt u hem zo in dat hij dat het past bij de omgevingstemperatuur of voor het gebruiksdoel.
- De temperatuurregeling kan worden ingesteld van '0' tot '3'.

• Instructies voor gebruik

Opmerking

- Plaats uw koeler zo dat de stekker bereikbaar is.
- Houd uw koeler uit direct zonlicht vandaan.
- Niet plaatsen naast een warmteproducerend apparaat.
- Niet direct op de grond plaatsen. Zorg voor een geschikte basis.

Erg belangrijk

- De koeler werkt het best bij een omgevingstemperatuur tussen 20 en 25 graden; We raden aan de koeler uit te zetten bij een temperatuur onder de 10 graden.
- Nadat het apparaat is aangesloten, laat het eerst 2-3 uur koelen voordat u drank in de koelkast legt.
- Ventilatie is erg belangrijk voor een thermo-elektrische koeler; De PCB die erin zit kan kapot gaan als de ventilatie niet goed is; Dat beperkt ook de levensduur van het apparaat.
- De koeler heeft een automatisch ontdooi-systeem, dus handmatig ontdooien is niet nodig.

Stroomvoorziening

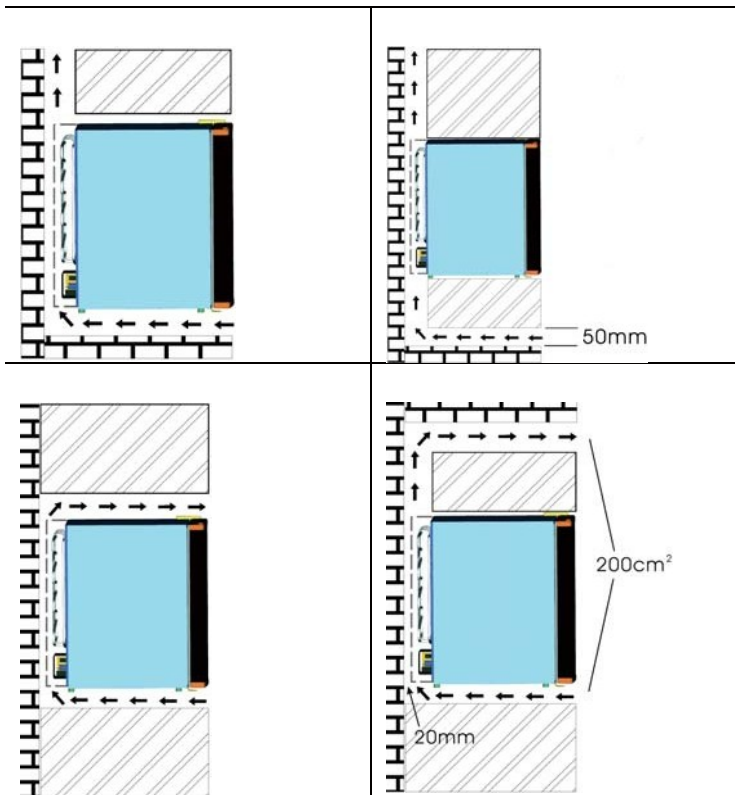
- De koeler dient te worden aangesloten op een deugdelijk geaard stopcontact dat voldoet aan de plaatselijke regelgeving;
- Controleer op het typeplaatje (Die aan de zijkant zit) of de spanning en frequentie overeenkomt met de aansluiting; Zo niet, niet de stekker in het stopcontact steken;

§WAARSCHUWING: Om gevaren te vermijden door instabiliteit van het apparaat, dient deze te worden geplaatst volgens de instructies.

• Installatie-instructies

Bij het plaatsen van een koeler met warmtebuizen is de ventilatie een aandachtspunt, let daarbij op het volgende:

- Er moet minimaal 200 cm^3 voor ventilatie
- De afstand tussen de muur en zijkant van de koeler dient minimaal 20 mm te zijn
- De onderkant heeft minimaal 50 mm nodig voor de luchtstroom en tegen oververhitting
- Het hele koelsysteem dient geventileerd te worden
- De volgende vier plaatjes tonen vier soorten installatie:



Verandering van het scharnier

Deze koelkast kan worden gebruikt met de deur die opengaat naar links of naar rechts. Het apparaat is uw geleverd met de deuropening aan de linkerkant. Wenst u de deur naar de andere kant te laten openen, volg dan onderstaande instructies.

De scharnieren kunnen linksom of rechtsom worden gebruikt, behalve bij modellen BCH-40 en BCH-42, zoek het scharnier voor linksboven in de zak van de handleiding zoals hieronder.

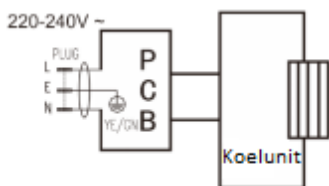
- Haal de drie schroeven uit het rechterscharnier.
- Verwijder het scharnier (boven en onder).
- Plaats de deur juist met de scharnieren, gebruik drie zelftappers om ze vast te zetten.

Probleemoplossing

PROBLEEM	MOGELIJKE OORZAAK
De koelkast werkt niet	De stekker is niet aangesloten. De stop is gesprongen.
De koelkast werkt niet.	De kamertemperatuur ligt hoger dan normaal. De deur is te vaak opengemaakt. De deur is niet goed afgesloten. De temperatuurinstelling is niet goed ingesteld. De dichting van de deur sluit niet goed af. De koelkast heeft niet voldoende ruimte rondom. Abnormale spanning.
De verlichting werkt niet.	De stekker is niet aangesloten. De stop is gesprongen. Het LED-verlichting is kapot.

Vibraties.	Controleer dat de koelkast op een vlakke ondergrond staat.
De deur sluit niet goed.	De koelkast staat niet vlak. De deur is omgedraaid en niet juist geïnstalleerd. De afdichting is vuil. De schappen, bakken of mandjes zitten niet op de juiste positie.

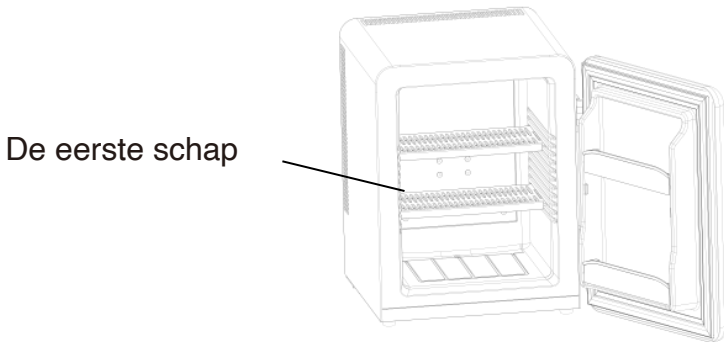
Elektrisch Diagram



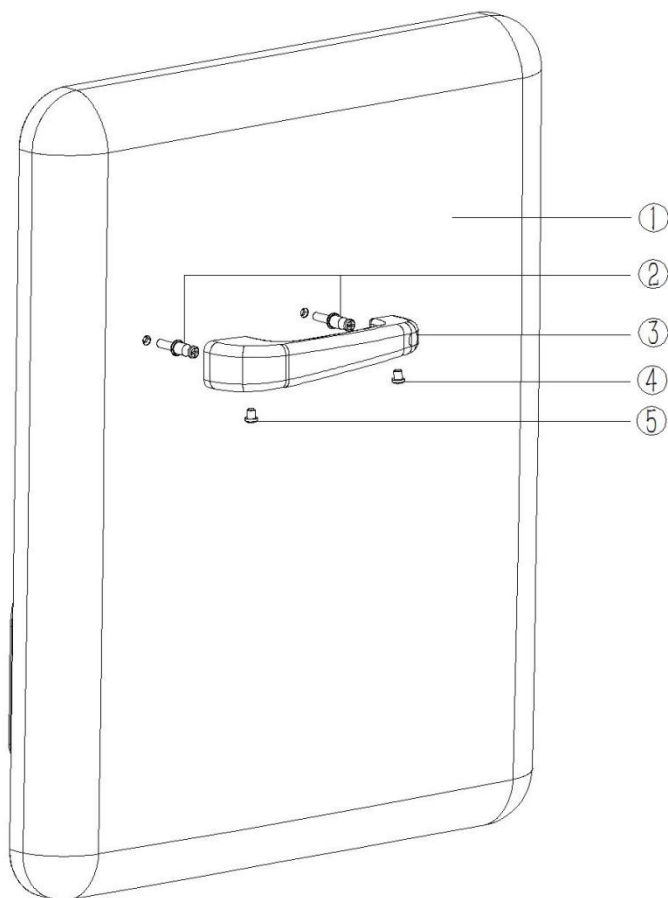
- Energiebesparing tips
- De koelkast moet worden geplaatst in het koudste gedeelte van de kamer, weg van warmtebronnen en niet in direct zonlicht.
- Als de koelkast te vol is zal de thermo-elektrische koeler langer moeten draaien.
- Minimaliseer het openen van de deur en haal alle benodigde items er in één keer uit, en sluit de deur weer zo snel mogelijk.
- Een karakteristiek van de warmtebuizen is de tijdsduur die nodig is om te herstellen van het vaak openen van de deur. Het duurt mogelijk langer voordat de temperatuur weer op zijn oude niveau is als de deur te lang geopend is geweest. Dit is normaal bij zo'n soort apparaat.
- De warmtebuistechnologie is erg goedkoop in gebruik. Het is milieuvriendelijk door ontbrekende CFK's.

PRODUCT FUNCTIEBESCHRIJVING

1. Het is bedoeld om alleen in de koeler te gebruiken.
2. Dit koelend apparaat is niet geschikt voor het koelen van eten.
3. Het beste is een temperatuur van 12°C in de koeler.
4. De plaatsing van de schappen zoals in de fabriek is gebeurd, is de efficiëntste manier voor koelende apparaten.
5. De volgende schapcombinatie wordt aanbevolen om het apparaat het efficiëntst te laten werken.



6. Als de omgevingstemperatuur 25°C is en de koeler is niet gevuld, dan duurt het zo'n 3,5 uur voordat de temperatuur in de koeler daalt van 25°C tot 12°C.
7. De aangeraden temperatuur voor de koeler is 12°C. Het energieverbruik is dan 0,356kWh/24h. Als de omgevingstemperatuur hoger dan 12 is, wordt het energieverbruik lager. Als de omgevingstemperatuur lager dan 12 is, wordt het energieverbruik hoger.



Onderdelenlijst:

- ① Deur ② Schroefset
- ③ Handgreep ④ Schroef M5*6
- ⑤ Schroef M5*8

Installatiehandleiding:

7. Plaats de schroefset in de deur.
8. Plaats de handgreep op de schroefset.
9. Zet de handgreep van onderaf vast met schroeven.

TECHNISCHE DATA

Netto volume liters	23
Spanning (V)	220-240
Frequentie (Hz)	50/60
Vermogen (W)	58
Afmetingen (mm)	380x370x476
Verpakking (mm)	450x445x540
Nettogewicht (kg)	10,0
Brutogewicht (kg)	11,5
Goedkeuring	CB/CE



Symbol ISO 7010 W021

Waarschuwing; Risico op brand/brandbare materialen

Productinformatieblad

GEDELEGEERDE VERORDENING (EU) 2019/2016 VAN DE COMMISSIE met betrekking tot de energie-etikettering van koelapparaten

Naam van de leverancier of handelsmerk: HKOENIG

Adres van de leverancier: Qualité, RUE MARC SEGUIN 8, 77290 COMPANS, FR

Typeaanduiding: TOAD9

Type koelapparaat:

Geluidsarm apparaat:	Ja	Ontwerptype:	vrijstaand
Wijnbewaarkast:	Nee	Ander koelapparaat:	Nee

Algemene productparameters:

Kenmerk	Waarde	Kenmerk	Waarde
Totale afmetingen (millimeter)	Hoogte 537	Totaal volume (dm ³ of l)	31
	Breedte 402		
	Diepte 435		
EEL	99	Energie-efficiëntieklasse	E
Emissie van akoestisch luchtgeluid (dB(A) re 1 pW)	24	Emissieklasse voor akoestisch luchtgeluid	A
Jaarlijks energieverbruik (kWh/jaar)	76	Klimaatklasse:	gematigd
Laagste omgevingstemperatuur (°C) waarvoor het koelapparaat geschikt is	16	Hoogste omgevingstemperatuur (°C) waarvoor het koelapparaat geschikt is	32
Winterinstelling	Nee		

Compartmentparameters:

Compartmenttype	Compartmentparameters en -waarden			
	Compartmentvolume (dm ³ of l)	Aanbevolen temperatuurinstelling voor optimale voedselopslag (°C) Deze instellingen zijn niet in tegenspraak met de opslagomstandigheden zoals vermeld in ta-	Vriesvermogen (kg/24u)	Defrosting type (auto-defrost=A, manual defrost=M)

			bel 3 van bijlage IV		
Voorraad	Nee	-	-	-	-
Wijnbewaring	Nee	-	-	-	-
Kelder	Ja	31,0	12	-	A
Vers voedsel	Nee	-	-	-	-
Chill	Nee	-	-	-	-
0 sterren of ijsmaker	Nee	-	-	-	-
1 ster	Nee	-	-	-	-
2 sterren	Nee	-	-	-	-
3 sterren	Nee	-	-	-	-
4 sterren	Nee	-	-	-	-
2-sterrengedeelte	Nee	-	-	-	-
Compartiment met variabele temperatuur	-	-	-	-	-
Lichtbronparameters:					
Type lichtbron	-				
Energie-efficiëntieklasse	-				
Minimumduur van de door de fabrikant geboden garantie: 24 maanden					
Aanvullende informatie:					
Link naar de website van de fabrikant met de informatie zoals bedoeld in punt 4, onder a), van bijlage II bij Verordening (EU) 2019/2019 van de Commissie: www.hkoenig.com					

GARANTIE

De garantieperiode op onze producten is 2 jaar, tenzij anders vermeld, beginnend vanaf de datum van de initiële aankoop of bezorgdatum.

Als u problemen of vragen heeft, kunt u eenvoudig onze hulppagina's bezoeken voor tips om problemen op te lossen, de FAQ's en andere gebruikershandleidingen op onze website: <https://sav.hkoenig.com>.

Door de referentienaam van uw apparaat in de zoekbalk te typen, krijgt u toegang tot allebeschikbare online hulpmiddelen, ontworpen om aan uw behoeften te voldoen.

Als u toch niet geen antwoord op uw vraag kunt vinden, klik dan op "Heeft het antwoord uw probleem opgelost? Hierdoor gaat u naar het Aanvraagformulier voor Klantenondersteuning, dat u in kunt vullen om uw verzoek te valideren en hulp te ontvangen.

GARANTIEVOORWAARDEN

De garantie dekt alle mankementen die voortkomen uit normaal gebruik, volgens de sectiegebruik en specificaties in de gebruikershandleiding.

Deze garantie omvat niet verpakkings- of transportproblemen tijdens het vervoer van het product door de eigenaar. Het omvat ook niet de normale slijtage van het product, noch het onderhoud of vervangen van verbruiksartikelen.

UITSLUITINGEN VAN DE GARANTIE

- Accessoires en verbruiksartikelen (*).
- Normaal onderhoud van het apparaat.
- Alle mankementen veroorzaakt door verkeerd gebruik (schokken, het niet opvolgen van deaanbevolen stroomvoorziening, in slechte omstandigheden gebruiken, etc.), onvoldoende onderhoud of ondeugdelijk gebruik van het apparaat, alsook het gebruik van ongeschikte accessoires.
- Schade van buitenaf: vuur, waterschade, elektrische stroompiek, etc.
- Apparaten die uit elkaar zijn gehaald, ook gedeeltelijk, door personen die niet er nietgekwalificeerd voor zijn (zoals de gebruiker).
- Producten waarvan het serienummer verdwenen, beschadigd of onleesbaar is, waardoorwe het niet kunnen identificeren.
- Producten die verhuurd werden of ter demonstratie of showmodel waren.

(*) Sommige onderdelen van uw apparaat, genaamd verbruiksartikelen, slijten naar verloopvan tijd en bij veel gebruik van uw apparaat. Deze slijtage is normaal, maar kan verergerd worden door slechte omstandigheden of onderhoud van uw apparaat. Deze onderdelen worden daarom niet gedekt door de garantie.

De accessoires meegeleverd met het apparaat zijn ook uitgesloten van de garantie. Ze kunnen niet vervangen of gerestitueerd worden. Echter, sommige accessoires zijn te koopvia onze website: <https://sav.hkoenig.com/>.

MILIEU

ATTENTIE:



Dit apparaat mag niet met uw ander huishoudelijke toestellen worden verwijderd. Ditproduct moet op een geselecteerde stortplaats verwijderd worden. U kunt bij de gemeente een indiceerde plaats aanvragen. Elektrisch en elektronische producten kunnen gevaarlijke stoffen inhouden die schadelijk zijn voor mensen en het milieu en moet recycled worden. Het symbool aan de kant geeft aan dat het een elektrisch en elektronisch toestel is en zijn dus artikelen van een selectieve collectie. Het beeld geeft eenafvalbak met een X teken aan.

Adeva SAS / H.Koenig Europe - 8 rue Marc Seguin - 77290 Mitry Mory - France
www.hkoenig.com - sav@hkoenig.com - contact@hkoenig.com
- Tél: +33 1 64 67 00 05

ESPAÑOL

ADVERTENCIA:

1. Este refrigerador puede ser utilizado por personas con capacidades físicas, sensoriales o mentales reducidas o con falta de experiencia y conocimiento, siempre que sean supervisados o hayan sido debidamente instruidos en el uso seguro de la unidad y entienden los peligros implicados.

2. Los niños deben ser supervisados para asegurarse de que no jueguen con el aparato.

3. Este aparato puede ser utilizado por niños de al menos 8 años, siempre que estén supervisados y hayan recibido instrucciones sobre el uso seguro del aparato y sean plenamente conscientes de los peligros que implica.

4. La limpieza y el mantenimiento no deben ser realizados por niños a menos que sean mayores de 8 años y estén supervisados por un adulto

5. Mantenga el aparato y su cable de alimentación fuera del alcance de los niños menores de 8 años.

6. Al utilizar equipos eléctricos, siempre se deben tomar precauciones de seguridad para evitar el riesgo de incendio, descarga eléctrica y/o lesiones en caso de uso indebido.

7. Asegúrese de que la tensión nominal de la placa de características corresponda a la tensión de su hogar. Si este no es el caso, póngase en contacto con el distribuidor y no conecte el aparato.

8. Si el cable de alimentación está dañado, debe ser reemplazado por el fabricante, su agente de servicio o personas igualmente calificadas para evitar riesgos.

9. Para evitar un peligro debido a la inestabilidad del aparato, siga las instrucciones.

10. Al colocar el aparato, asegúrese de que el cable de alimentación no quede atrapado ni dañado.

11. No ubique múltiples tomacorrientes portátiles o fuentes de alimentación portátiles en la parte trasera del aparato.

12. Mantenga las aberturas de ventilación, en el recinto del aparato o en la estructura integrada, libres de obstrucciones.

13. No utilice dispositivos mecánicos u otros medios para acelerar el proceso de descongelación, distintos de los recomendados por el fabricante.

14. No dañe el circuito de refrigeración.

15. No utilice aparatos eléctricos dentro de los compartimentos de almacenamiento del aparato, a menos que sean recomendados por el fabricante.

16. No almacene sustancias explosivas como latas de aerosol con propulsor inflamable en este aparato.

17. Los niños de 3 a 8 años pueden cargar y descargar aparatos frigoríficos.

18. El aparato no debe usarse si se ha caído, si hay signos visibles de daños o si tiene fugas.

19. Conserve este documento a mano y entrégueselo al futuro propietario en caso de transferencia de su aparato.

20. No utilice este aparato si tiene el cable o enchufe dañado, si no funciona correctamente, si se ha dañado o se ha caído. Si el cable de alimentación está dañado, debe ser reemplazado por el fabricante, su agente de servicio o una persona calificada similar para evitar peligros.

21. Lea atentamente las instrucciones de uso antes de poner en funcionamiento el aparato y conserve las instrucciones, incluida la garantía, el recibo y, si es posible, la caja con el embalaje interno. Si le pasa este aparato a otras personas, también entregue las instrucciones de uso.

22. Este electrodoméstico está diseñado para uso doméstico y aplicaciones similares, como:

- áreas de cocina para el personal en tiendas, oficinas y otros entornos de trabajo;
- casas de campo y por clientes en hoteles, moteles y otros entornos de tipo residencial;
- entornos tipo alojamiento;
- centros de abastecimiento y locales similares con fines no comerciales.

23. Para evitar la contaminación de las bebidas, respete las siguientes instrucciones:

- La apertura prolongada de la puerta puede provocar un aumento significativo de la temperatura en los compartimentos del aparato.
- Limpiar regularmente las superficies que puedan entrar en contacto con bebidas y sistemas de drenaje accesibles.
- Limpie los tanques de agua si no se han utilizado durante 48h,

enjuague el sistema conectado al suministro de agua si no se ha extraído agua durante 5 días.

– Si el aparato de refrigeración se deja vacío durante mucho tiempo, apáguelo, descongélelo, límpielo, séquelo y deje la puerta abierta para evitar que se forme moho en el interior.

Nota:

El gas refrigerante contenido en el circuito de este aparato es isobutano (R600a), un gas poco contaminante pero inflamable.

– Al transportar e instalar el aparato, tenga cuidado de no dañar ninguna parte del circuito frigorífico.

– No utilice herramientas afiladas o puntiagudas para descongelar la unidad.

– No utilice ningún aparato eléctrico dentro de la unidad.

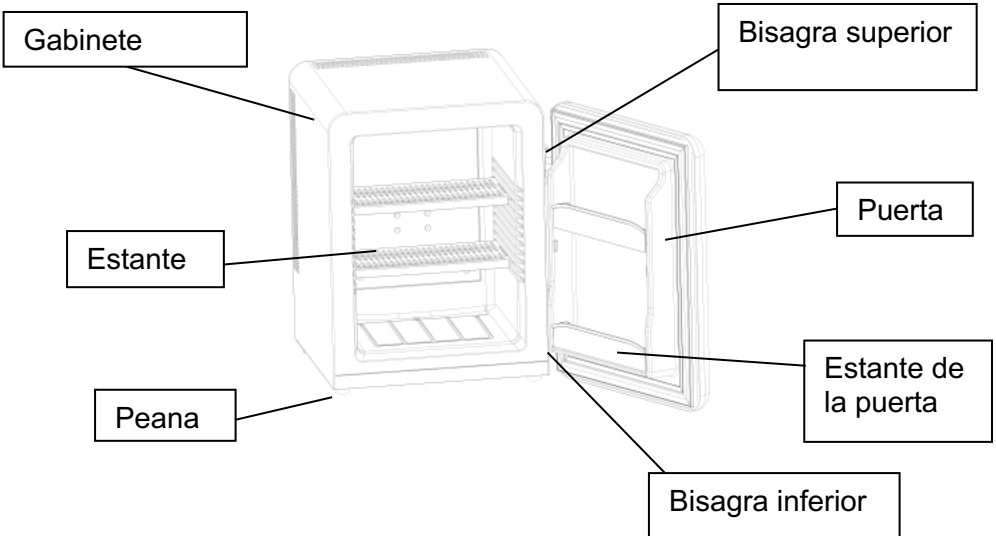
Si el sistema de refrigeración está dañado:

No utilice una llama cerca del aparato.

Evite las chispas - no encienda ningún aparato o lámpara eléctrica.

Ventile la habitación inmediatamente.

Descripción del Producto



Operando el aparato

Control de temperatura



Configuración del control de temperatura

- Su refrigerador tiene un solo control para regular la temperatura. El control de temperatura está ubicado en la parte superior en el interior del refrigerador.
- Para controlar la temperatura interna, ajuste la perilla de control según la temperatura ambiente o el propósito de uso.
- El rango del control de temperatura es de la posición "0" a "3".

•Instrucciones de uso

Nota

- Coloque su refrigerador de manera que se pueda acceder al enchufe.
- Mantenga su refrigerador alejado de la luz solar directa.
- No lo coloque junto a aparatos generadores de calor.
- No colocar directamente sobre el suelo. Proporcione un soporte adecuado.

Muy importante

- El refrigerador tendrá un mejor rendimiento a temperatura ambiente de 20-25 grados; Sugerimos apagar el refrigerador si la temperatura ambiente es inferior a 10 grados.
- Después de enchufar el aparato, permita que la unidad se enfríe durante 2 a 3 horas antes de colocar las bebidas.
- La ventilación es muy importante para este tipo de refrigerador termoeléctrico; El PCB interior se romperá fácilmente si la ventilación es mala; También reducirá la vida útil del refrigerador.
- El aparato aplica un sistema de descongelación automática, por lo que no es necesario descongelarlo manualmente.

Fuente de alimentación

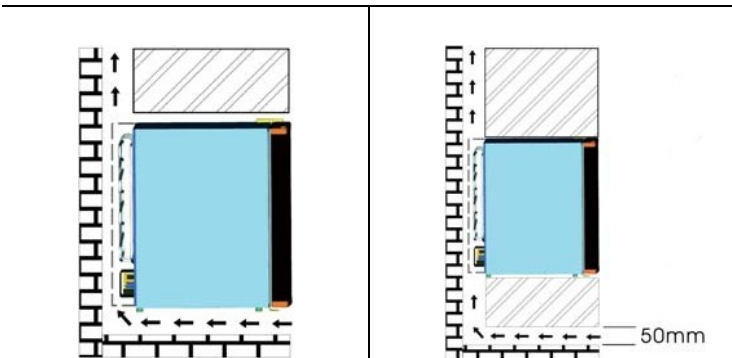
- Antes de poner el aparato en funcionamiento verifique que el tomacorriente está debidamente conectado a tierra de acuerdo con las reglamentaciones vigentes del país;
- Verifique la etiqueta de datos (que se encuentra en el costado del refrigerador) para ver si el voltaje y la frecuencia corresponden al de su hogar; Si no es así, no conecte el cable al tomacorriente;

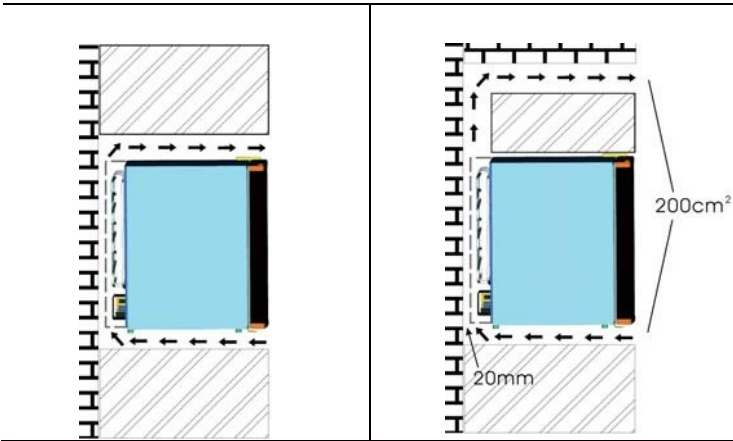
ADVERTENCIA: Para evitar un peligro debido a la inestabilidad del aparato, siga las instrucciones de este manual.

Instrucciones de Instalación

Cuando instale el aparato, considere seriamente la ventilación, para eso siga las instrucciones siguientes:

- Deje al menos 200 cm³ para ventilación
- La distancia entre la pared y el lado del refrigerador debe ser de al menos 20 mm
- En la parte inferior debe dejarse al menos 50 mm para que el aire fluya. El aire que pasa no debe precalentarse.
- Todo el sistema de enfriamiento debe ser considerado en la ventilación
- Las siguientes cuatro imágenes muestran cuatro formas de instalación:





Cambio de la bisagra giratoria

Este aparato tiene la capacidad de abrir la puerta desde el lado izquierdo o derecho. La unidad se le entrega con la apertura de la puerta desde el lado izquierdo. Si desea invertir la dirección de apertura, siga las instrucciones a continuación.

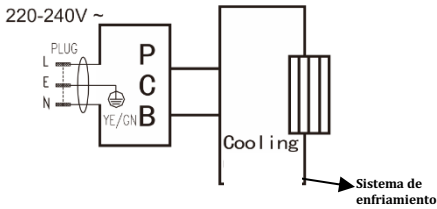
Todas las bisagras se pueden usar para girar hacia la izquierda o hacia la derecha, excepto para el modelo BCH-40 y BCH-42, utilice la bisagra superior izquierda adicional en la bolsa del manual del usuario para la instalación como se muestra a continuación.

- Saque los tres tornillos de la bisagra derecha.
- Retire las bisagras superiores e inferiores.
- Instale la puerta en la posición adecuada con las bisagras, use tres tornillos para fijarlas.

Guía para resolver problemas

PROBLEMA	POSIBLES CAUSAS
El aparato no funciona	No está enchufado. El disyuntor se disparó o se quemó un fusible.
El aparato no enfría.	La temperatura ambiente es más alta de lo normal. La puerta se abre con demasiada frecuencia. La puerta no está completamente cerrada. El control de temperatura no está configurado correctamente. La junta de la puerta no sella correctamente. El aparato no tiene la ventilación correcta. Voltaje anormal.
La luz no funciona.	No enchufado. El disyuntor se disparó o se quemó un fusible. La luz LED se ha quemado.
Vibraciones.	Verifique que el aparato esté nivelado.
La puerta no cierra correctamente.	El aparato no está nivelado. La puerta se invirtió y no se instaló correctamente. La junta está sucia. Los estantes, recipientes o cestas están fuera de lugar.

Diagrama eléctrico

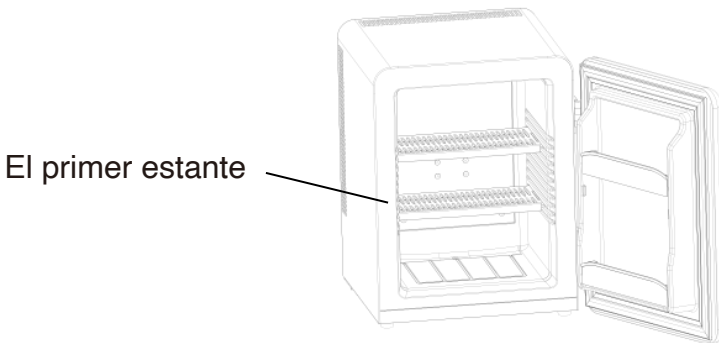


Consejos para ahorrar energía

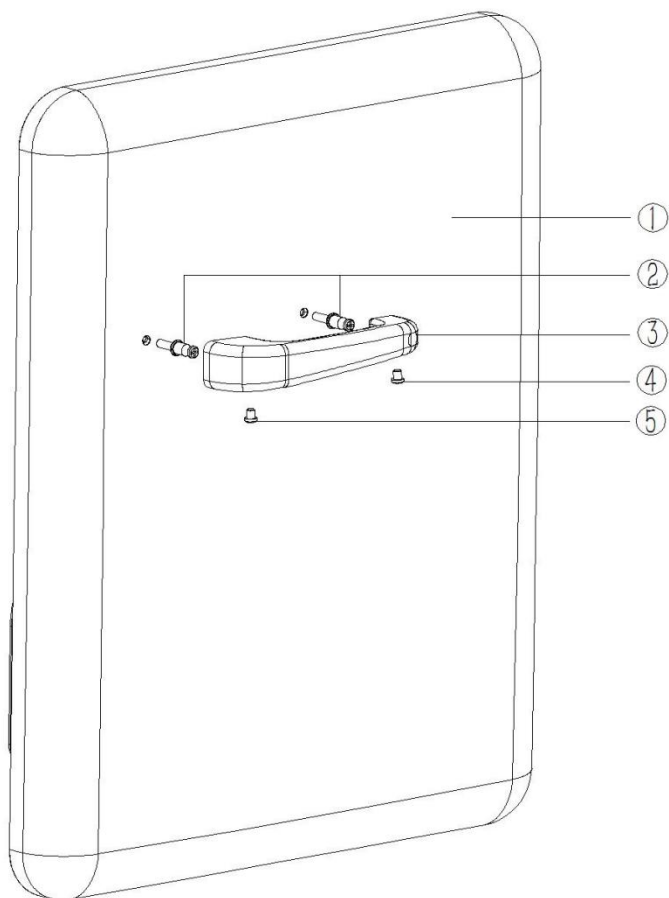
- El aparato debe ubicarse en el área más fresca de la habitación, lejos de electrodomésticos que produzcan calor y fuera de la luz solar directa.
- Sobrecargar el refrigerador obliga al sistema de enfriamiento termoeléctrico a funcionar por más tiempo.
- Reduzca las aperturas de la puerta y las búsquedas prolongadas, elimine tantos elementos como sea necesario a la vez y cierre la puerta lo antes posible.
- Una característica de este tipo de aparato es el tiempo que requiere para recuperarse de tener la puerta abierta y cerrada con frecuencia. Puede ser necesario esperar más tiempo para que la temperatura vuelva a su nivel anterior una vez que la puerta se ha abierto durante demasiado tiempo. Esto es un comportamiento normal.
- El sistema de enfriamiento cuesta solo centavos para operar y es respetuoso con el medio ambiente debido a la falta de CFC.

DESCRIPCIÓN DE LAS FUNCIONES DEL APARATO

1. Este aparato está destinado a ser utilizado exclusivamente para enfriar bebidas.
2. Este aparato no es adecuado para congelar alimentos.
3. Se recomienda configurar la temperatura a 12 °C.
4. Los estantes colocados en modo de fábrica son más eficiente para ahorro de energía en este tipo de aparato.
5. Se recomienda la siguiente combinación de estantes para que la energía sea utilizada de la manera más eficiente posible por el aparato.



1. Cuando la temperatura ambiente es de 25 °C y la bodega no tiene carga, tomará alrededor de 3,5 horas para disminuir la temperatura de la bodega de 25 °C a 12 °C.
2. Se recomienda ajustar la temperatura a 12 °C. El consumo de energía es de 0.356kWh/24h. Si la temperatura configurada es superior a 12 °C, el consumo de energía será menor. Si la temperatura de ajuste es inferior a 12 °C, el consumo de energía será mayor.



Partes del producto:

- ① Puerta ② Perno de ajuste
③ Manija ④ Tornillo M5*6
⑤ Tornillo M5*8

Guía de instalación:

1. Fije el perno de fijación en la puerta.
2. Inserte la manija en el perno de fijación.
3. Bloquee el mango desde abajo con tornillos.

DATOS TÉCNICOS

Volumen neto en litros	23
Voltaje (V)	220-240
Frecuencia (Hz)	50/60
Potencia nominal (W)	58
Dimensiones (mm)	380x370x476
Embalaje (mm)	450x445x540
Peso Neto (kg)	10.0
Peso Bruto (kg)	11.5
Aprobación	CB/CE



Símbolo ISO 7010 W021

Advertencia: Riesgo de incendio/materiales inflamables

Ficha de información del producto

REGLAMENTO DELEGADO (UE) 2019/2016 DE LA COMISIÓN en lo relativo al etiquetado energético de los aparatos de refrigeración domésticos

Nombre o marca comercial del proveedor: HKOENIG

Dirección del proveedor: Qualité, RUE MARC SEGUIN 8, 77290 COMPANS, FR

Identificador del modelo: TOAD9

Tipo de aparato de refrigeración:

Aparato de bajo nivel de ruido:	Sí	Tipo de diseño:	De libre instalación
---------------------------------	----	-----------------	----------------------

Armarios para la conservación de vinos:	No	Otros aparatos de refrigeración:	No
---	----	----------------------------------	----

Parámetros generales del producto:

Parámetro		Valor	Parámetro	Valor
Dimensiones totales (milímetros)	Altura	537	Volumen total (dm ³ o l)	31
	Anchura	402		
	Profundidad	435		
IEE		99	Clase de eficiencia energética	E
Ruido acústico aéreo emitido [dB(A) re 1 pW]		24	Clase de ruido acústico aéreo emitido	A
Consumo de energía anual (kWh/a)		76	Clase climática:	templada
Temperatura ambiente mínima (°C) en la que puede funcionar el aparato de refrigeración		16	Temperatura ambiente máxima (°C) en la que puede funcionar el aparato de refrigeración	32
Ajuste de invierno		No		

Parámetros de los compartimentos:

Parámetros y valores de los compartimentos				
Tipo de compartimento	Volumen del compartimento (dm ³ o l)	Ajuste de temperatura recomendado para la conservación optimizada de los alimentos (°C). Estos ajustes no contradirán las	Capacidad de congelación (kg/24h)	Defrosting type (auto-defrost=A, manual defrost=M)

			condicio- nes de con- servación contempla- das en el anexo IV, cuadro 3.		
Despensa	No	-	-	-	-
Conservación de vinos	No	-	-	-	-
Compartimento bode- ga	Sí	31,0	12	-	A,
Alimentos frescos	No	-	-	-	-
Helador	No	-	-	-	-
0 estrellas o fabrica- ción de hielo	No	-	-	-	-
1 estrella	No	-	-	-	-
2 estrellas	No	-	-	-	-
3 estrellas	No	-	-	-	-
4 estrellas	No	-	-	-	-
Sección 2 estrellas	No	-	-	-	-
Compartimento de temperatura variable	-	-	-	-	-
Parámetros de las fuentes luminosas:					
Tipo de fuente luminosa			-		
Clase de eficiencia energética			-		
Duración mínima de la garantía ofrecida por el fabricante: 24 meses					
Información adicional:					
Enlace del sitio web del fabricante, en el que se encuentra la información contemplada en el punto 4, letra a), del anexo del Reglamento (UE) 2019/2019: www.hkoenig.com					

GARANTÍA

El periodo de garantía de nuestros productos es de 2 años, salvo que la ley estipule lo contrario, a partir de la fecha de la compra inicial o de la fecha de entrega.

Si tiene algún problema o pregunta, puede acceder fácilmente a nuestras páginas de ayuda, consejos para solucionar problemas, preguntas frecuentes y manuales de usuario en nuestro sitio de servicio: <https://sav.hkoenig.com>.

Al escribir el nombre de referencia de su dispositivo en la barra de búsqueda, puede acceder a toda la asistencia en línea disponible, diseñada para satisfacer mejor sus necesidades.

Si sigue sin encontrar una respuesta a su pregunta o problema, haga clic en "¿La respuesta ha resuelto su problema? Esto le llevará al formulario de solicitud de asistencia posventa, que puede rellenar para validar su solicitud y obtener ayuda.

CONDICIONES DE GARANTÍA

La garantía cubre todos los fallos que se produzcan en el contexto de un uso normal, de acuerdo con los usos y especificaciones del manual de usuario. Esta garantía no se aplica a los problemas de embalaje o transporte durante el envío del producto por parte del propietario. Tampoco incluye el desgaste normal del producto, ni el mantenimiento o la sustitución de piezas consumibles.

EXCLUSIÓN DE GARANTÍA

- Accesorios y piezas de desgaste (*).
- Mantenimiento normal del aparato.
- Todas las averías derivadas de un uso incorrecto (golpes, incumplimiento de las recomendaciones de alimentación eléctrica, malas condiciones de uso, etc.), de un mantenimiento insuficiente o de un mal uso del aparato, así como del uso de accesorios inadecuados.
- Daños de origen externo: incendio, daños por agua, sobrecarga eléctrica, etc.
- Cualquier equipo que haya sido desmontado, incluso parcialmente, por personas que no estén autorizadas a hacerlo (en particular el usuario).
- Productos cuyo número de serie falte, esté dañado o sea ilegible, lo que no permitiría su identificación.
- Productos sujetos a alquiler, demostración o exposición.

(*) Algunas piezas de su aparato, conocidas como piezas de desgaste o consumibles, se deterioran con el tiempo y la frecuencia de uso de su aparato. Este desgaste es normal, pero puede acentuarse por las malas condiciones de uso o de mantenimiento de su aparato. Por lo tanto, estas piezas no están cubiertas por la garantía.

Los accesorios suministrados con el aparato también están excluidos de la garantía. No se pueden cambiar ni reembolsar. No obstante, algunos accesorios pueden adquirirse directamente en nuestro sitio web: <https://sav.hkoenig.com/>

MEDIO AMBIENTE

ATENCIÓN:



No se deshaga de este producto como lo hace con otros productos del hogar. Existe un sistema selectivo de colecta de este producto puesto en marcha por las comunidades, debe de informarse en su ayuntamiento acerca de los lugares en los que puede depositar este producto. De hecho, los productos eléctricos y electrónicos pueden contener sustancias peligrosas que tienen efectos nefastos para el medio ambiente o para la salud humana y deben ser reciclados. El símbolo aquí presente indica que los equipos eléctricos o electrónicos deben de ser cuidadosamente seleccionados, representa un recipiente de basura con ruedas marcado con una X.

Adeva SAS / H.Koenig Europe - 8 rue Marc Seguin, 77290 Mitry-Mory, France
www.hkoenig.com - sav@hkoenig.com - contact@hkoenig.com
- Tél: +33 1 64 67 00 05

ITALIANO

AVVERTIMENTO:

1. Questo apparecchio può essere utilizzato da persone con ridotte capacità fisiche, sensoriali o mentali o prive di esperienza e conoscenza, a condizione che siano supervisionate o abbiano ricevuto istruzioni sull'uso sicuro dell'apparecchio e comprendano i relative rischi.

2. I bambini devono essere sorvegliati per assicurarsi che non giochino con l'apparecchio.

3. Questo apparecchio può essere utilizzato da bambini di almeno 8 anni di età, purché siano sorvegliati e abbiano ricevuto istruzioni per un uso sicuro dell'apparecchio e siano pienamente consapevoli dei relative pericoli.

4. La pulizia e la manutenzione non devono essere eseguite da bambini a meno che non abbiano almeno 8 anni di età e siano supervisionati da un adulto.

5. Tenere l'apparecchio e il relativo cavo di alimentazione fuori dalla portata

dei bambini di età inferiore agli 8 anni.

6. Quando si utilizzano apparecchiature elettriche, è necessario adottare sempre precauzioni di sicurezza per prevenire il rischio di incendi, scosse elettriche e/o lesioni in caso di uso improprio.

7. Assicurarsi che la tensione nominale sulla targhetta corrisponda alla tensione dell'impianto elettrico. In caso contrario, contattare il rivenditore e non collegare l'unità

8.

9. Se il cavo di alimentazione è danneggiato, deve essere sostituito dal produttore, dal suo agente di servizio o da persone altrettanto qualificate per evitare pericoli.

10. Per evitare pericoli dovuti all'instabilità dell'apparecchio, quest'ultimo deve essere fissato secondo le istruzioni.

11. Quando si posiziona l'apparecchio, assicurarsi che il cavo di alimentazione non sia intrappolato o danneggiato.

12. Non posizionare più prese portatili

o alimentatori portatili sul retro dell'apparecchio.

13. Mantenere le aperture di ventilazione presenti nella struttura dell'apparecchio o nella struttura ad incasso, libere da ostruzioni.

14. Non utilizzare dispositivi meccanici o altri mezzi per accelerare il processo di sbrinamento, diversi da quelli consigliati dal produttore.

15. Non danneggiare il circuito frigorifero.

16. Non utilizzare apparecchi elettrici all'interno dei vani portabevande dell'apparecchio, a meno che non siano del tipo consigliato dal produttore.

17. Non conservare sostanze esplosive come bombolette spray con propellente infiammabile in questo apparecchio.

18. I bambini di età compresa tra i 3 e gli 8 anni possono caricare e scaricare gli apparecchi frigoriferi.

19. Il dispositivo non deve essere utilizzato se è caduto, se sono visibili segni evidenti di danneggiamento o se

presenta perdite.

20. Tenere questo documento a portata di mano e consegnarlo al futuro proprietario in caso di trasferimento del dispositivo.

21. Non utilizzare questo apparecchio se ha un cavo o una spina danneggiati, se non funziona correttamente o se è stato danneggiato o è caduto. Se il cavo di alimentazione è danneggiato, deve essere sostituito dal produttore, da un suo agente di servizio o da una persona altrettanto qualificata per evitare rischi.

22. Leggere attentamente le istruzioni per l'uso prima di mettere in funzione l'apparecchio e conservare le istruzioni comprensive di garanzia, scontrino e, se possibile, la scatola con l'imballo interno. Se si cede questo dispositivo ad altre persone, si prega di consegnare anche le istruzioni per l'uso.

23. Questo apparecchio è destinato all'uso in applicazioni domestiche e similari come

-Cucine del personale in negozi, uffici e altri ambienti di lavoro;

- agriturismi e da clienti in hotel, motel e altri ambienti di tipo residenziale;
- bed and breakfast;
- catering e applicazioni simili non al dettaglio.

24. Per evitare la contaminazione delle bevande, si prega di rispettare le seguenti istruzioni:

-L'apertura della porta per lunghi periodi può causare un sensibile aumento della temperatura nei vani dell'apparecchio.

-Pulire regolarmente le superfici che possono entrare in contatto con bevande e quelle di drenaggio accessibile.

-Pulire i serbatoi dell'acqua se non sono stati utilizzati per 48 h, sciacquare l'impianto idrico collegato ad una rete idrica se l'acqua non è stata prelevata per 5 giorni.

-Se il frigorifero viene lasciato vuoto per lunghi periodi, spegnere, sbrinare, pulire, asciugare e lasciare lo sportello aperto per evitare che si formino muffe all'interno dell'apparecchio.

Nota::

Il gas refrigerante contenuto nel circuito di questo apparecchio è l'isobutano (R600a), un gas poco inquinante ma infiammabile.

- Durante il trasporto e l'installazione dell'apparecchio prestare attenzione a non danneggiare nessuna parte del circuito frigorifero.

- Non utilizzare strumenti affilati o appuntiti per sbrinare l'unità.

- Non utilizzare apparecchi elettrici all'interno dell'unità.

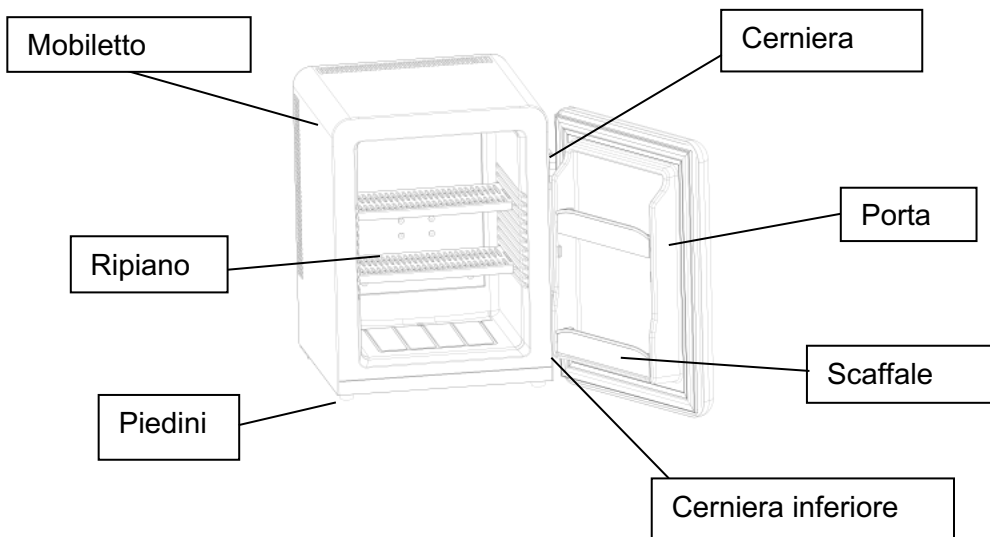
Se il sistema di refrigerazione è danneggiato:

Non utilizzare una fiamma vicino all'apparecchio.

Evitare le scintille - non accendere alcun apparecchio elettrico o lampada elettrica.

Aerare immediatamente la stanza.

Indicazione delle parti



Utilizzo del frigorifero

Controllo della temperatura



Impostazione della temperatura

- Il tuo frigorifero ha un solo comando per regolare la temperatura. Il controllo della temperatura si trova nella parte superiore del frigorifero all'interno
- Per controllare la temperatura interna, regolare la manopola di controllo in base alla temperatura ambiente o allo scopo di utilizzo.
- L'intervallo del controllo della temperatura è da "0" a "3".

Istruzioni per l'uso

Nota

- Posizionare il frigorifero in modo che la spina sia accessibile.
- Tenere il frigorifero lontano dalla luce solare diretta.
- Non posizionare vicino ad apparecchi generatori di calore.
- Non appoggiare direttamente a terra. Fornire un supporto adatto.

Molto importante

- Il frigorifero avrà prestazioni migliori con una temperatura ambiente di 20-25 gradi; Si consiglia di spegnere il frigorifero se la temperatura ambiente è inferiore a 10 gradi.
- Dopo aver collegato l'apparecchio, lasciare raffreddare l'unità per 2-3 ore prima di inserire le bevande nello scomparto frigorifero.
- La ventilazione è molto importante per questo tipo di frigorifero termoelettrico; Il PCB interno si romperà facilmente se la ventilazione è scarsa; Ridurrà anche la vita del frigorifero.
- Il frigorifero applica un sistema di sbrinamento automatico, quindi non è necessario sbrinarlo manualmente.

Alimentazione elettrica

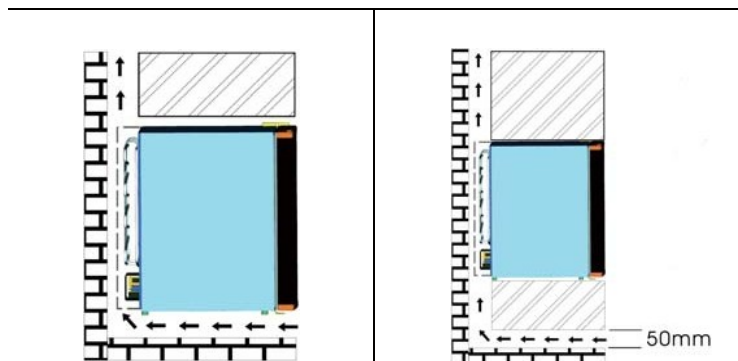
- Il frigorifero deve essere collegato a una presa adeguatamente messa a terra, in linea con le normative nazionali vigenti in materia, prima dell'uso;
- Controllare l'etichetta dati (che si trova sul lato del frigorifero) per verificare che la tensione e la frequenza corrispondano a quella locale; In caso contrario, non collegare il cavo alla presa;

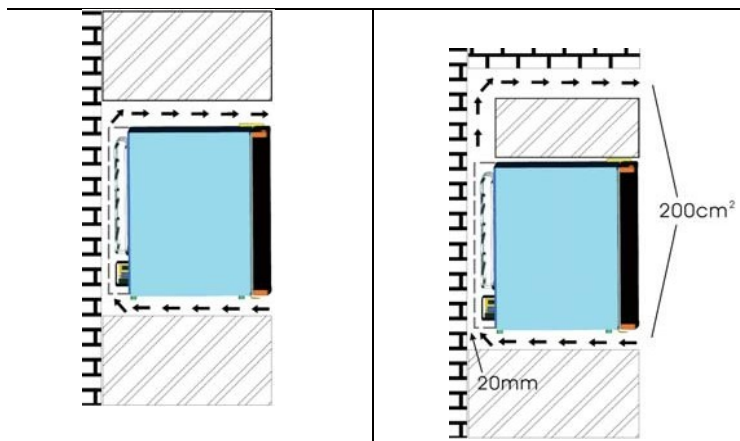
AVVERTENZA: Per evitare un pericolo dovuto all'instabilità dell'apparecchio, questo deve essere installato secondo le istruzioni.

Istruzioni per l'installazione

Quando si installa un frigorifero Heat pipe, la ventilazione dovrebbe essere presa seriamente in considerazione, fare riferimento a quanto segue:

- Dovrebbero essere lasciati almeno 200 cm³ per la ventilazione
- La distanza tra parete e lato frigorifero deve essere di almeno 20 mm
- Il fondo deve essere lasciato almeno 50 mm per l'aria che scorre
- L'aria che passa attraverso non deve essere preriscaldata
- L'intero sistema di raffreddamento dovrebbe essere considerato nella ventilazione
- Le seguenti quattro immagini mostrano quattro modi di installazione:





Modifica della cerniera oscillante

Questo frigorifero ha la possibilità di montare la porta sul lato sinistro o sul lato destro. L'unità viene consegnata con l'apertura della porta dal lato sinistro. Se si desidera invertire la direzione di apertura, seguire le istruzioni seguenti.

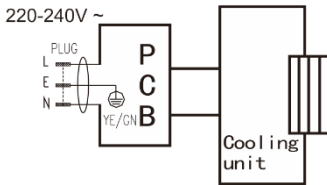
Tutte le cerniere possono essere utilizzate per l'apertura sinistra o destra, ad eccezione dei modelli BCH-40 e BCH-42, si prega di utilizzare una cerniera superiore sinistra aggiuntiva nel sacchetto del manuale utente per l'installazione come di seguito.

- Estrarre le tre viti dal cardine destro.
- Rimuovere la cerniera (superiore e inferiore).
- Installare la porta in posizione adeguata con le cerniere, utilizzare tre autoviti per fissarle.

Guida alla risoluzione dei problemi

PROBLEMA	CAUSA POSSIBILE
Il frigorifero non funziona	Non collegato. L'interruttore è scattato o un fusibile SI è bruciato.
Il frigorifero non funziona.	La temperatura della stanza è più calda del normale. La porta viene aperta troppo spesso. La porta non è completamente chiusa. Il controller della temperatura non è impostato correttamente. La guarnizione della porta non chiude bene. Il frigorifero non ha le distanze corrette. Tensione anomala.
La luce non funziona.	Non collegato. L'interruttore è scattato o un fusibile bruciato. La luce LED si è bruciata.
Vibrazioni.	Verificare che il frigorifero sia perfettamente in piano.
La porta non si chiuderà correttamente.	Il frigorifero non è in piano. La porta è stata invertita e non installata correttamente. La guarnizione è sporca. Gli scaffali, i contenitori o i cestini sono fuori posizione.

Diagramma Elettrico



- Suggerimenti per il risparmio energetico
- Il frigorifero deve essere posizionato nella zona più fresca della stanza, lontano da apparecchi che producono calore e dalla luce solare diretta.
- Il sovraccarico del frigorifero costringe il sistema di raffreddamento termoelettrico a funzionare più a lungo.
- Ridurre le aperture delle porte e le ricerche prolungate, rimuovere tutti gli oggetti necessari nella stessa volta e chiudere la porta il prima possibile.
- Una caratteristica delle unità a tubo di calore è il tempo necessario per recuperare dall'apertura e chiusura frequente della porta. Potrebbe essere necessario attendere più a lungo affinché la temperatura torni al livello precedente una volta che la porta è stata aperta troppo a lungo. Questo è normale per il tipo di unità.
- La tecnologia a tubi di calore costa solo pochi centesimi per funzionare. È ecologico a causa della mancanza di CFC.

DESCRIZIONE DELLA FUNZIONE DEL PRODOTTO

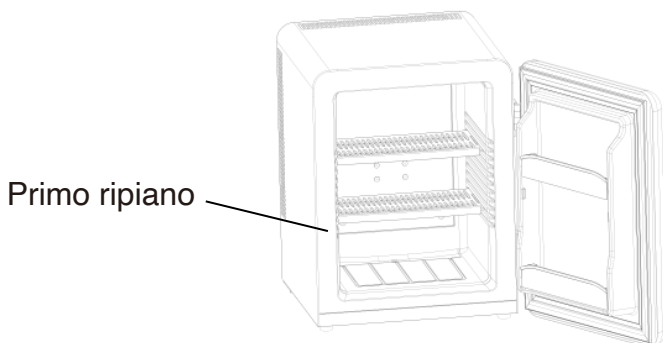
8. È destinato ad essere utilizzato esclusivamente come cantina.

9. Questo apparecchio frigorifero non è adatto per il congelamento di alimenti.

10. Si consiglia di impostare la cantina su 12 °C.

11. I ripiani posti in modalità fabbrica rappresentano l'uso più efficiente di energia per gli apparecchi di refrigerazione.

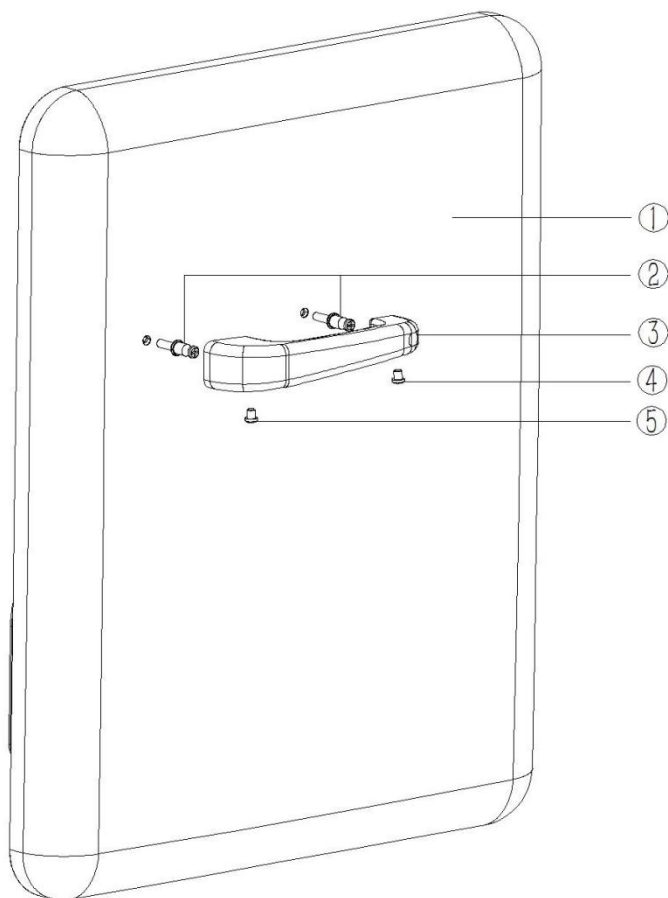
12. La seguente combinazione di ripiani è consigliata per utilizzare l'energia nel modo più efficiente possibile dall'unità di refrigerazione.



13. Quando la temperatura ambiente è di 25 °C e la cantina non ha carico, ci vorranno circa

3,5 ore per diminuire la temperatura della cantina da 25°C a 12°C.

14. Si consiglia di impostare la cantina su 12 °C. Il consumo di energia è di 0,356 kWh/24 ore. Se la temperatura impostata è superiore a 12 °C, il consumo di energia sarà inferiore. Se la temperatura impostata è inferiore a 12 °C, il consumo di energia sarà maggiore.



Elenco delle parti:

- ① Porta
- ② Bullone di fissaggio
- ③ Maniglia
- ④ Vite M5*6
- ⑤ Vite M5*8

Guida d'installazione:

1. Fissare la maniglia alla porta.
2. Inserire la maniglia nel bullone di fissaggio.
3. Bloccare la maniglia dal basso con le viti.

DATI TECNICI

Volume netto litri	23
Tensione (V)	220-240
Frequenza (Hz)	50/60
Potenza nominale (W)	58
Dimensione (mm)	380x370x476
Imballaggio (mm)	450x445x540
Peso netto (kg)	10.0
Peso lordo (kg)	11.5
Approvazione	CB/CE



Simbolo ISO 7010 W021

Attenzione; Rischio di materiali infiammabili

Scheda informativa del prodotto

REGOLAMENTO DELEGATO (UE) 2019/2016 DELLA COMMISSIONE per quanto riguarda l'etichettatura energetica degli apparecchi di refrigerazione

Nome o marchio del fornitore: HKOENIG

Indirizzo del fornitore: Qualité, RUE MARC SEGUIN 8, 77290 COMPANS, FR

Identificativo del modello: TOAD9

Tipo di apparecchio di refrigerazione:

Apparecchio a bassa rumorosità:	Sì	Tipo di apparecchio:	a libera installazione
Frigorifero cantina:	No	Altro apparecchio di refrigerazione:	No

Parametri generali del prodotto:

Parametro	Valore	Parametro	Valore
Dimensioni complessive (millimetri)	Altezza	Volume totale (dm ³ o l)	31
	Larghezza		
	Profondità		
EEI	99	Classe di efficienza energetica	E
Emissioni di rumore aereo (dB(A) re 1 pW)	24	Classe di emissione di rumore aereo	A
Consumo annuo di energia (kWh/a)	76	Classe climatica:	temperata
Temperatura ambiente minima (°C) per la quale l'apparecchio di refrigerazione è adatto	16	Temperatura ambiente massima (°C) per la quale l'apparecchio di refrigerazione è adatto	32
Configurazione invernale	No		

Parametri degli scomparti:

Tipo di scomparto	Parametri e valori degli scomparti			
	Volume dello scomparto (dm ³ o l)	Impostazioni di temperatura raccomandate per una conservazione ottimale degli alimenti (°C)	Capacità di congelamento (kg/24 h)	Defrosting type (auto-defrost=A, manual defrost=M)

			Queste impostazioni non sono in contrasto con le condizioni di conservazione di cui all'allegato IV, tabella 3		
Dispensa	No	-	-	-	-
Cantina	No	-	-	-	-
Temperatura moderata	Si	31,0	12	-	A
Alimenti freschi	No	-	-	-	-
Raffreddamento	No	-	-	-	-
0 stelle o produzione di ghiaccio	No	-	-	-	-
1 stella	No	-	-	-	-
2 stelle	No	-	-	-	-
3 stelle	No	-	-	-	-
4 stelle	No	-	-	-	-
Sezione a 2 stelle	No	-	-	-	-
Scomparto a temperatura variabile	-	-	-	-	-
Parametri della sorgente luminosa:					
Tipo di sorgente luminosa			-		
Classe di efficienza energetica			-		
Durata minima della garanzia offerta dal fabbricante: 24 mesi					
Informazioni supplementari:					
Link al sito web del fabbricante, che riporta le informazioni di cui all'allegato, punto 4, lettera a), del regolamento (UE) 2019/2019 della Commissione: www.hkoenig.com					

GARANZIA

Il periodo di garanzia per i nostri prodotti è di 2 anni, se non diversamente stabilito dalla legge, a partire dalla data di acquisto iniziale o di consegna.

Se avete problemi o domande, potete facilmente accedere alle nostre pagine di aiuto, consigli per la risoluzione dei problemi, FAQ e manuali d'uso sul nostro sito post-vendita: <https://sav.hkoenig.com>.

Digitando il nome di riferimento del tuo dispositivo nella barra di ricerca, puoi accedere subito al supporto online disponibile, progettato per soddisfare al meglio le tue esigenze.

Se ancora non riesci a trovare una risposta alla tua domanda o al tuo problema, allora clicca su "La risposta ha risolto il tuo problema? Questo vi porterà al modulo di richiesta

di supporto post-vendita, che potete completare per convalidare la vostra richiesta e ottenerci aiuto.

CONDIZIONI DI GARANZIA

La garanzia copre tutti i guasti derivanti da un uso normale, in conformità con gli usi e le specifiche del manuale utente.

Questa garanzia non si applica a problemi di imballaggio o di trasporto durante la spedizione del prodotto da parte del proprietario. Non include inoltre la normale usura del prodotto, né la manutenzione o la sostituzione delle parti di consumo.

ESCLUSIONE DELLA GARANZIA

- Accessori e parti soggette a usura (*).
- Normale manutenzione dell'apparecchio.
- Tutti i guasti derivanti da un uso improprio (urti, mancato rispetto delle raccomandazioni sull'alimentazione, cattive condizioni d'uso, ecc.), da una manutenzione inadeguata o da un uso improprio dell'apparecchio, nonché dall'uso di accessori inadeguati.
- Danni di origine esterna: incendio, danni d'acqua, sovratensione elettrica, ecc.
- Qualsiasi attrezzatura che sia stata smontata, anche parzialmente, da persone diverse da quelle autorizzate a farlo (in particolare l'utente).
- Prodotti per i quali il numero di serie è mancante, danneggiato o illeggibile, il che non permetterebbe la sua identificazione.
- Prodotti soggetti a noleggio, dimostrazione o esposizione.

(*) Alcune parti del suo apparecchio, note come parti soggette a usura o materiali di consumo, si deteriorano con il tempo e la frequenza d'uso del suo apparecchio. Questa usura è normale, ma può essere accentuata da cattive condizioni d'uso o di manutenzione del vostro apparecchio. Queste parti non sono quindi coperte dalla garanzia.

Anche gli accessori forniti con l'apparecchio sono esclusi dalla garanzia. Non possono essere scambiati o rimborsati. Tuttavia, alcuni accessori possono essere acquistati direttamente dal nostro sito web: <https://sav.hkoenig.com/>.

AMBIENTE

ATTENZIONE:



Non gettare quest' apparecchio tra i rifiuti domestici. Per questo tipo di prodotti è fornito dai comuni un sistema di raccolta e ritiro in zona ed è quindi un dovere informarsi per conoscere il giusto smistamento del rifiuto. Infatti, i prodotti elettrici ed elettronici possono contenere sostanze pericolose che hanno effetti dannosi sull'ambiente o sulla nostra salute e quindi devono essere riciclati. Il simbolo al lato indica che le apparecchiature elettriche ed elettroniche fanno parte di una raccolta selettiva e differenziata (rappresentata da un bidone su due ruote sbarrato da una croce).

Adeva SAS / H.Koenig Europe - 8 rue Marc Seguin - 77290 Mitry Mory - France
www.hkoenig.com - sav@hkoenig.com - contact@hkoenig.com
- Tél: +33 1 64 67 00 05

PORTUGUÊS

ADVERTÊNCIA:

1. Este aparelho pode ser utilizado por pessoas com capacidades físicas, sensoriais ou mentais reduzidas ou com falta de experiência e conhecimentos, desde que tenham recebido supervisão ou instruções na utilização segura do aparelho e compreendam os perigos envolvidos.

2. As crianças devem ser supervisionadas para garantir que não brincam com o aparelho.

3. Este aparelho pode ser utilizado por crianças de pelo menos 8 anos de idade, desde que sejam supervisionadas e tenham recebido instruções sobre a utilização segura do aparelho e estejam plenamente conscientes dos perigos envolvidos.

4. A limpeza e manutenção não deve ser efetuada por crianças a menos que tenham pelo menos 8 anos de idade e sejam supervisionadas por um adulto.

5. Manter o aparelho e o seu cabo de alimentação fora do alcance de crianças

com menos de 8 anos de idade.

6. Ao utilizar equipamentos eléctricos, devem ser sempre tomadas precauções de segurança para evitar o risco de incêndio, choque eléctrico e/ou ferimentos em caso de má utilização.

7. Certifique-se de que a voltagem nominal na placa de características corresponde à voltagem principal da sua instalação. Se não for este o caso, contate o revendedor e não ligue a unidade.

8. Se o cabo de alimentação estiver danificado, deve ser substituído pelo fabricante, o seu agente de serviço ou por uma pessoa com qualificações semelhantes, por forma a evitar o perigo.

9. Para evitar o perigo devido à instabilidade do aparelho, este deve ser instalado de acordo com as instruções.

10. Ao posicionar o aparelho, certifique-se de que o cabo de alimentação não fica preso ou danificado.

11. Não localizar várias tomadas portáteis ou fontes de alimentação portáteis na parte de trás do aparelho.

12. Mantenha as aberturas de ventilação, na caixa do aparelho ou na estrutura embutida, afastadas de qualquer obstrução.

13. Não utilize dispositivos mecânicos ou outros meios para acelerar o processo de descongelamento, além dos recomendados pelo fabricante.

14. Não danifique o circuito de refrigeração.

15. Não utilize aparelhos elétricos dentro dos compartimentos de armazenamento de bebidas do aparelho, a menos que sejam do tipo recomendado pelo fabricante.

16. Não armazenar neste aparelho substâncias explosivas, tais como latas de aerossóis com um propulsor inflamável.

17. As crianças dos 3 aos 8 anos de idade estão autorizadas a carregar e descarregar aparelhos frigoríficos.

18. O aparelho não deve ser utilizado se tiver caído, se forem visíveis sinais evidentes de danos ou se tiver fugas.

19. Por favor, mantenha este documento à mão e entregue-o ao futuro proprietário em caso de transferência do seu aparelho.

20. Não utilize este aparelho se tiver um cabo ou ficha danificados, se não estiver a funcionar corretamente ou se tiver sido danificado ou deixado cair. Se o cabo de alimentação estiver danificado, deve ser substituído pelo fabricante ou pelo seu agente de serviço ou por uma pessoa com qualificações semelhantes, por forma a evitar o perigo.

21. Leia cuidadosamente as instruções de funcionamento antes de colocar o aparelho em funcionamento e guarde as instruções, incluindo a garantia, a fatura e, se possível, a caixa com a embalagem interna. Se entregar este dispositivo a outras pessoas, por favor transmita também as instruções de funcionamento.

22. Este aparelho destina-se a ser utilizado em aplicações domésticas e similares, tais como:

- em áreas de cozinha reservadas a funcionários de estabelecimentos, escritórios e outros ambientes profissionais;

- em pousadas agrícolas e por clientes de hotéis, motéis e outros ambientes do tipo residencial;

- em ambientes do tipo cama e pequeno almoço;

- catering e aplicações similares não retalhistas.

23. Para evitar a contaminação da bebida, por favor respeite as seguintes instruções:

24. Abrir a porta por longos períodos de tempo pode causar um aumento significativo da temperatura nos compartimentos do aparelho.

25. Limpe regularmente as superfícies que possam entrar em contato com a bebida e sistemas de drenagem acessíveis.

26. Limpe os tanques de água se não

tiverem sido utilizados durante 48 h, lave o sistema de água ligado ao abastecimento de água se a água não tiver sido aspirada durante 5 dias.

27. Se o aparelho frigorífico for deixado vazio durante longos períodos, é favor desligar, descongelar, limpar, secar, e deixar a porta aberta para evitar o desenvolvimento de bolor no interior do aparelho.

Nota:

O gás refrigerante contido no circuito deste aparelho é o isobutano (R600a), um gás pouco poluente, mas inflamável.

- Ao transportar e instalar o aparelho, tenha o cuidado de não danificar qualquer parte do circuito de refrigeração.

- Não utilizar quaisquer ferramentas afiadas ou pontiagudas para descongelar a unidade.

- Não utilizar quaisquer aparelhos elétricos no interior da unidade.

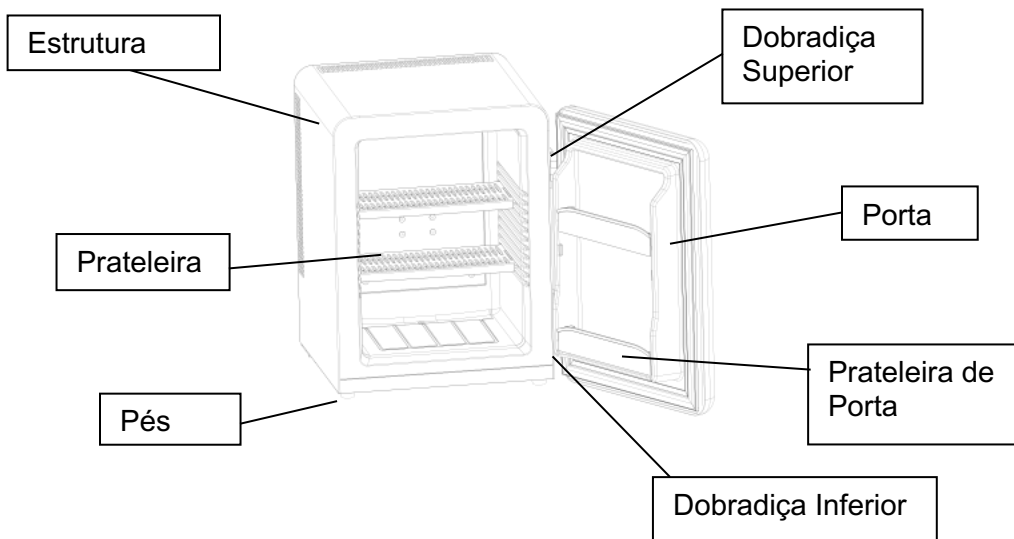
Se o sistema de refrigeração for danificado:

Não utilizar uma chama perto do aparelho.

Evitar faíscas - não acender qualquer eletrodoméstico ou lâmpada elétrica.

Ventilar a área imediatamente.

Indicação das Peças



Colocar em funcionamento o seu refrigerador/frigorífico

Controlo da Temperatura



Definição do Controlo da Temperatura

- O seu refrigerador/frigorífico tem apenas um controlo para regular a temperatura. O controlo da temperatura está localizado no topo do refrigerador/frigorífico no seu interior.
- Para controlar a temperatura interna, ajustar o botão de controlo de acordo com a temperatura ambiente ou a finalidade de utilização.
- O intervalo do controlo da temperatura é das posições "0" a "3".

• Instruções de utilização

Nota

- Posicione o seu refrigerador/frigorífico de modo a que a ficha fique acessível.
- Mantenha o seu refrigerador/frigorífico fora da luz direta do sol.
- Não colocar junto a aparelhos geradores de calor.
- Não colocar diretamente no solo. Providencie um suporte adequado.

Muito importante

- O refrigerador/frigorífico terá melhor desempenho à temperatura ambiente de 20-25 graus; sugerimos que o refrigerador/frigorífico seja desligado se a temperatura ambiente for inferior a 10 graus.
- Depois de ligar o aparelho, deixe a unidade refrescar/arrefecer durante 2-3 horas antes de colocar a bebida no compartimento do refrigerador/frigorífico.
- A ventilação é muito importante para este tipo de

refrigerador/frigorífico termoelétrico; O PCB interno avariará facilmente se a ventilação for má, assim como reduzirá a vida útil do refrigerador/frigorífico.

- O refrigerador/frigorífico aplica o sistema de descongelação automática, pelo que não há necessidade de descongelar manualmente.

Fornecimento de energia

- O refrigerador/frigorífico deve ser ligado a uma tomada devidamente ligada à terra, em conformidade com os regulamentos pertinentes válidos do país, antes de ser colocado em funcionamento;

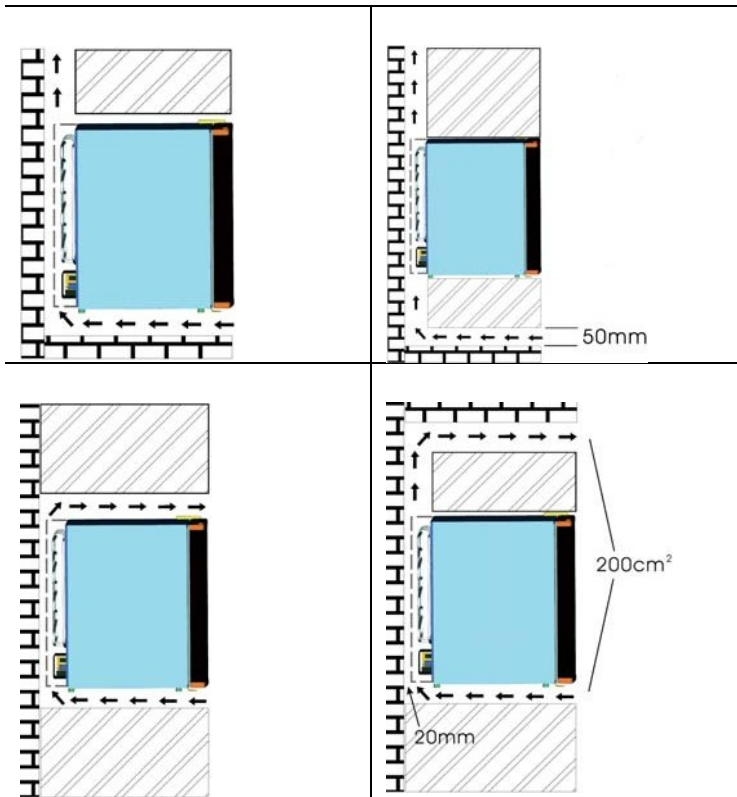
- Verifique a etiqueta de dados (que se encontra na lateral do refrigerador/frigorífico) para ver se a voltagem e a frequência correspondem à do seu local; caso contrário, não ligue o cabo à tomada;

AVISO: Para evitar perigo devido à instabilidade do aparelho, este deve ser fixado de acordo com as instruções.

Instruções de instalação

Quando instalar um Refrigerador/Frigorífico de Tubos de Calor, a ventilação deve ser considerada seriamente, consulte por favor o seguinte:

- Deve ser deixado pelo menos 200 cm³ para a ventilação
- A distância entre a parede e o lado do refrigerador/frigorífico deve ser de pelo menos 20mm
- O fundo deve ser deixado pelo menos 50mm para que o ar que circula não pré-aquecer
- Todo o sistema de arrefecimento deve ser considerado na ventilação
- As quatro imagens seguintes mostram quatro formas de instalar:



Mudança da Dobradiça Giratória

Este refrigerador/frigorífico tem a capacidade de abertura de porta, tanto do lado esquerdo como do direito. A unidade é-lhe entregue com a abertura da porta a partir do lado esquerdo. Se desejar inverter a direção da abertura, por favor siga as instruções abaixo.

Todas as dobradiças podem ser utilizadas para a abertura à esquerda ou à direita, excepto para os modelos BCH-40 e BCH-42, por favor veja/procure uma dobradiça superior esquerda adicional no saco do manual do utilizador para instalá-la como abaixo indicado.

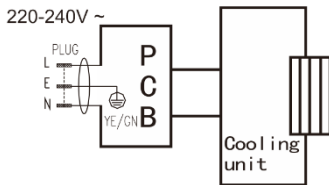
- Puxe para fora os três parafusos da dobradiça direita.
- Remova a dobradiça (superior e inferior).
- Instale a porta na posição adequada com dobradiças, utilize os três parafusos para os fixar.

Guia de Resolução de Problemas

PROBLEMA	CAUSA POSSÍVEL
Refrigerador/Frigorífico funciona	não Não está ligado à corrente. O disjuntor disparou ou um fusível está queimado.
Refrigerador/frigorífico funciona.	não A temperatura ambiente é mais quente do que o normal. A porta é aberta com demasiada frequência. A porta não está completamente fechada. O controlo da temperatura não está regulado corretamente. A junta da porta não isola corretamente. O refrigerador/frigorífico não tem as folgas corretas.

	Voltagem anormal.
A luz não funciona.	Não está ligada à tomada. O disjuntor disparou ou um fusível queimado. A luz LED queimou.
Vibrações.	Certifique-se de que o refrigerador/frigorífico está nivelado.
A porta não fecha corretamente.	O refrigerador/frigorífico não está nivelado. A porta foi invertida e não foi devidamente instalada. A junta está suja. As prateleiras, caixas ou cestos estão fora de posição.

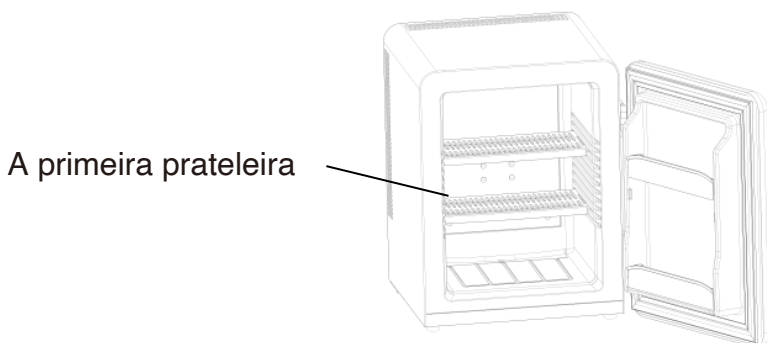
Diagrama Elétrico



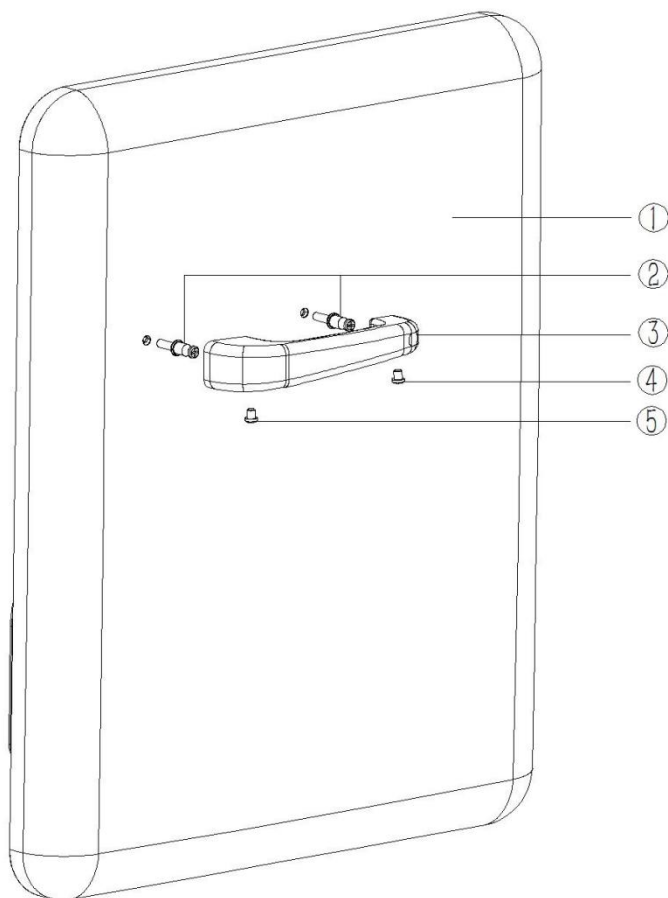
- Dicas de Poupança de Energia
- O refrigerador/frigorífico deve estar localizado na zona mais fria do local onde se encontra, afastado dos aparelhos que produzem calor e fora da luz direta do sol.
- A sobrecarga do refrigerador/frigorífico força o sistema de arrefecimento termoelétrico a funcionar durante mais tempo.
- Reduza as aberturas das portas e as procuras prolongadas, remova tantos artigos quantos forem necessários de cada vez, e feche a porta o mais rápido possível.
- Uma característica das unidades de tubos de calor é o tempo que requer para recuperar de ter a porta aberta e fechada frequentemente. Pode ser necessário esperar mais tempo para que a temperatura regresse ao seu nível anterior, uma vez que a porta foi aberta durante demasiado tempo. Isto é normal para o tipo de unidade.
- A tecnologia dos tubos de calor custa apenas alguns centimos para funcionar. É amiga do ambiente devido à falta de CFC's.

DESCRIÇÃO DA FUNÇÃO DO PRODUTO

15. Destina-se a ser utilizado exclusivamente em adegas.
16. Este aparelho de refrigeração não é adequado para a congelação de alimentos.
17. Recomenda-se que a adega seja concebida com 12°C.
18. As prateleiras colocadas em modo de fábrica são a utilização mais eficiente de energia para os aparelhos refrigeradores/frigoríficos.
19. A seguinte combinação de prateleiras é recomendada para que a energia seja utilizada da forma mais eficiente possível pela unidade de refrigeração.



20. Quando a temperatura circundante é 25°C e a adega não tem carga, ela levará cerca de 3,5 horas para diminuir a temperatura da adega de 25°C para 12°C.
21. Recomenda-se que a adega seja concebida com 12°C., o consumo de energia é 0.356kWh/24h. Se a temperatura de regulação for inferior a 12°C, o consumo de energia será maior.



Lista de Peças:

- ① Porta
- ② Parafuso de fixação/ajuste
- ③ Puxador
- ④ Parafuso M5*6
- ⑤ Parafuso M5*8

Guia de Instalação:

1. Fixe o parafuso de fixação/ajuste na porta.
2. Insira o puxador no parafuso de fixação/ajuste.
3. Bloqueie o puxador a partir do fundo com os parafusos.

DADOS TÉCNICOS

Volume líquido de litros	23
Voltagem (V)	220-240
Frequência (Hz)	50/60
Potência Nominal (W)	58
Dimensões (mm)	380x370x476
Embalagem (mm)	450x445x540
Peso Líquido (kg)	10.0
Peso Bruto (kg)	11.5
Aprovação	CB/CE



Símbolo ISO 7010 w021

Aviso: Risco de Incêndio/materiais inflamáveis

Ficha de informação do produto

REGULAMENTO DELEGADO (UE) 2019/2016 DA COMISSÃO respeitante à etiquetagem energética dos aparelhos de refrigeração

Marca comercial ou nome do fornecedor: HKOENIG

Endereço do fornecedor: Qualité, RUE MARC SEGUIN 8, 77290 COMPANS, FR

Identificador de modelo: TOAD9

Tipo de aparelho de refrigeração:

Aparelho de baixo ruído:	Sim	Tipo de construção:	De instalação livre
Aparelho de armazenagem de vinhos:	Não	Outro aparelho de refrigeração:	Não

Parâmetros gerais do produto:

Parâmetro	Valor	Parâmetro	Valor
Dimensões totais (milímetros)	Altura 537	Volume total (dm3 ou l)	31
	Largura 402		
	Profundidade 435		
IEE	99	Classe de eficiência energética	E
Emissão de ruído aéreo (dB(A) re 1 pW)	24	Classe de emissão de ruído aéreo	A
Consumo anual de energia (kWh/a)	76	Classe climática:	temperada
Temperatura ambiente mínima (°C) para a qual o aparelho de refrigeração é adequado	16	Temperatura ambiente máxima (°C) para a qual o aparelho de refrigeração é adequado	32
Regulação de inverno	Não		

Parâmetros dos compartimentos:

Tipo de compartimento	Parâmetros e valores dos compartimentos			
	Volume do compartimento (dm3 ou l)	Regulação de temperatura recomendada para otimizar a conservação dos alimentos (°C) Estas regulações não podem con-	Capacidade de congelação (kg/24h)	Defrosting type (auto-defrost=A, manual defrost=M)

			tradizer as condições de conservação estabelecidas no anexo IV, quadro 3		
Despensa	Não	-	-	-	-
Armazenagem de vinhos	Não	-	-	-	-
Cave	Sim	31,0	12	-	A
Alimentos frescos	Não	-	-	-	-
Ultraprefrigeração	Não	-	-	-	-
0 estrelas ou produção de gelo	Não	-	-	-	-
1 estrela	Não	-	-	-	-
2 estrela	Não	-	-	-	-
3 estrela	Não	-	-	-	-
4 estrela	Não	-	-	-	-
Secção de 2 estrelas	Não	-	-	-	-
Compartimento de temperatura variável	-	-	-	-	-
Parâmetros de fontes de luz:					
Tipo de fonte de luz			-		
Classe de eficiência energética			-		
Duração mínima da garantia do fabricante: 24 meses					
Informações adicionais:					
Hiperligação para o sítio Web do fabricante onde se encontram as informações previstas no anexo II, ponto 4, alínea a), do Regulamento (UE) 2019/2019 da Comissão: www.hkoenig.com					

GARANTIA

O período de garantia de nossos produtos é de 2 anos, salvo disposição legal em contrário, a partir da data da compra inicial ou da entrega.

Se tiver algum problema ou dúvida, você poderá acessar facilmente nossas páginas de ajuda, dicas de solução de problemas, perguntas frequentes e manuais do usuário em nosso site de pós-venda: <https://sav.hkoenig.com>.

Ao digitar o nome de referência do seu dispositivo na barra de pesquisa, você poderá acessar todo o suporte on-line disponível, projetado para melhor atender às suas necessidades.

Se ainda assim não conseguir encontrar uma resposta para sua pergunta ou problema, clique em 'A resposta resolveu seu problema? Isso o levará ao formulário de solicitação de suporte pós-venda, que pode ser preenchido para validar sua solicitação e obter ajuda.

CONDIÇÕES DE GARANTIA

A garantia cobre todas as falhas decorrentes do uso normal, de acordo com os usos e as especificações do manual do usuário.

Essa garantia não se aplica a problemas de embalagem ou transporte durante o envio do produto pelo proprietário. Ela também não inclui o desgaste normal do produto, nem a manutenção ou substituição de peças consumíveis.

EXCLUSÃO DA GARANTIA

- Acessórios e peças de desgaste (*).
- Manutenção normal do aparelho.
- Todas as falhas resultantes de uso inadequado (choques, não cumprimento das recomendações de fornecimento de energia, más condições de operação, etc.), manutenção inadequada ou uso impróprio do aparelho, bem como o uso de acessórios inadequados.
- Danos de origem externa: incêndio, danos por água, surtos elétricos, etc.
- Qualquer equipamento que tenha sido desmontado, mesmo que parcialmente, por pessoas que não estejam autorizadas a fazê-lo (em particular, o usuário).
- Produtos cujo número de série esteja ausente, danificado ou ilegível, o que não permitiria sua identificação.
- Produtos sujeitos a aluguel, demonstração ou exibição.

(*). Algumas peças do seu aparelho, conhecidas como peças de desgaste ou consumíveis, se deterioram com o tempo e a frequência de uso do aparelho. Esse desgaste é normal, mas pode ser acentuado por condições ruins de uso ou manutenção do seu aparelho. Portanto, essas peças não são cobertas pela garantia.

Os acessórios fornecidos com o aparelho também estão excluídos da garantia. Eles não podem ser trocados ou reembolsados. No entanto, alguns acessórios podem ser adquiridos diretamente em nosso site: <https://sav.hkoenig.com/>.

MEIO AMBIENTE

AVISO:



N Não jogue esse aparelho no lixo doméstico. Os municípios oferecem um sistema local de coleta e devolução para esse tipo de produto e, portanto, é seu dever informar-se sobre a maneira correta de descartar o lixo. De fato, os produtos elétricos e eletrônicos podem conter substâncias perigosas que têm efeitos prejudiciais ao meio ambiente ou à nossa saúde e, portanto, devem ser reciclados. O símbolo ao lado indica que o equipamento elétrico e eletrônico faz parte de uma coleta seletiva e diferenciada (representada por uma lixeira com duas rodas riscadas).

Adeva SAS / H.Koenig Europe - 8 rue Marc Seguin - 77290 Mitry Mory -
France www.hkoenig.com - sav@hkoenig.com - contact@hkoenig.com
- Tél: +33 1 64 67 00 05



Points de collecte sur www.quefairede mesdechets.fr
Privilégiez la réparation ou le don de votre appareil !