

HKoenig

plx930

Instruction Manual

Manuel d'instructions
Bedienungsanleitung
Gebruiksaanwijzing
Manual de instrucciones
Manuale d'uso



Gas plancha 3 burners

Plancha à gaz avec trois brûleurs
Drei-brenner plancha-gasgrill
Plancha op gas met drie branders
Plancha de gas com 3 quemadores
Barbecue Plancha a Gas con tre Bruciatori



ENGLISH

 **WARNING**
FOR YOUR SAFETY
USE OUTDOORS ONLY.

Read this instruction carefully and ensure that your plancha is properly installed, assembled, maintained and serviced in accordance to these instructions. Failure to follow these instructions may result in serious bodily injury and/or property damage. If you have any questions concerning the assembly or operation of this plancha, please consult your dealer, your gas supplier, the manufacturer or agent.

Notes to the user:

“USE OUTDOORS ONLY”.


“READ THE INSTRUCTIONS BEFORE USING THE APPLIANCE”.

“WARNING: ACCESSIBLE PARTS MAY BE VERY HOT, KEEP YOUNG CHILDREN AWAY”.

“DO NOT MOVE THE APPLIANCE DURING COOKING”.

“RETAIN FOR FUTURE REFERENCE”.

TECHNICAL INFORMATION:

					Pin No.	
Appliance Name	Gas Plancha					2531CU-0055
Country of Destination	Categories	Type of Gas	Pressure s (mbar)	Injector Size(mm) /Injector Marking	Heat Input (Hs)	
BE, FR, IT, LU, LV, IE, GB, GR, PT, ES, CY, CZ, LT, SK, CH, SI	I3+(28-30/37) ☒	Butane/Propane	28-30/37	0.78	7.5kW (546g/h)	
LU, NL, DK, FI, SE, CY, CZ, EE, LT, LV, MT, SK, SI, BG, IS, NO, TR, HR, RO, IT, HU	I3 B/P(30) □	Butane/Propane/LPG gas mixtures	30	0.78		
Use outdoors only.						
Read the instructions before using the appliance.						
WARNING: accessible parts may be very hot. Keep young children away.						
Don't move the plancha when alight.						

IMPORTANT:

Read the following instruction carefully and be sure your plancha is properly installed, assembled and cared for. Failure to follow these instructions may result in serious bodily injury and/or property damage.

If you have any questions concerning assembly or operation, consult your dealer or LPG Company.

The appliance and cylinder must be placed on level surface and must not be used whilst alight.

Changing the gas cylinder shall be carried out away from any source of ignition.

Recommend to use the protective gloves when handling particularly hot components.

The parts sealed by the manufacturer or his agent shall not be manipulated by the user.

NOTE FOR CONSUMER: Retain for future Reference.

Read all instructions carefully.

This appliance may be used by persons with reduced physical, sensory or mental capabilities or lack of

experience or knowledge, provided that they are supervised or instructed in the safe use of the appliance and that they fully understand the potential hazards. Close supervision is necessary when an appliance is used by children or in the presence of or near children. The appliance should never be left unattended during use. Surfaces can become hot during use. Keep young children away. Place the appliance on a stable, dry surface, slightly away from the edge and more than 1 m away from any wall or heat-sensitive parts. This appliance is intended for domestic and outdoor use only. Use this product out of the wind. Do not use the appliance for purposes other than those for which it is intended. The appliance must not be moved during operation. The use of accessories not recommended by the appliance manufacturer may damage the appliance and cause accidents. Parts protected by the manufacturer or his authorised representative must not be handled by the user. Do not touch hot surfaces. Do not handle the appliance when it is hot. Allow the appliance to cool down before handling or cleaning it. Do not clean the appliance with a high or low pressure water jet. Do not use chlorinated products to clean stainless steel.

This appliance should be kept away from flammable materials.

If there is a smell of gas, close all taps.

Never use an appliance that is leaking.

Any modification of the appliance may be dangerous.

Do not use an adjustable pressure regulator.

The underside of the appliance must be kept ventilated to allow good air circulation in the room.

Do not block the ventilation holes in the chassis.

Caution: Do not insert aluminium foil or any other material or object between the plate and the frame (ventilation area).

Do not block the ventilation holes in the bottom plate under the frame.

In the event of a malfunction, examination and repair must be carried out by an authorised technician.

Caution: Do not use this appliance with charcoal or any other combustible material.

energy source other than that for which it is intended (gaseous energy).

Close the gas tank valve after use.

Caution: No combustible material may be within 1 m of the plancha.

When not in use, store it in a dry place.

We advise you to keep the original packaging when storing the appliance.

Your appliance has been designed for domestic use only. It is not intended for use in the following situations which are not covered by the warranty:

- in staff kitchen areas in shops, offices and other professional environments,
- in farm hostels,
- by guests in hotels, motels and other residential environments,
- in bed and breakfast type environments.

USE AND CHARACTERISTICS

The plancha is safe and easy to use. The specified gases for use are butane at 28 to 30 mbar, propane at 37 mbar, butane/propane mixtures at 30 mbar, butane/propane mixtures at 37 mbar and butane/propane mixtures at 50 mbar. Please ensure you only use your plancha at the correct pressure the appliance is designed for.

With a grease cup at side.

Adequate ventilation is vital for combustion and efficiency performance of the plancha. This will ensure the safety of the user and other people in the vicinity of the area where the appliance is being used. **Never use the appliance in any enclosed covered area.**

When the wind speed is above 2m/s, don't use gas plancha facing to the wind.

The appliance is designed for use outdoors only.

Do not modify the appliance.

**Warning! Accessible parts may be very hot. Keep young children away.
Read the instructions before using the appliance.**

Do not move the appliance while in use.

Turn off the appliance at the gas cylinder valve or the regulator after use.

Any modification to the appliance may be dangerous and may cause injury or property damage.

Any unauthorised modification of the appliance will invalidate the guarantee on this appliance.

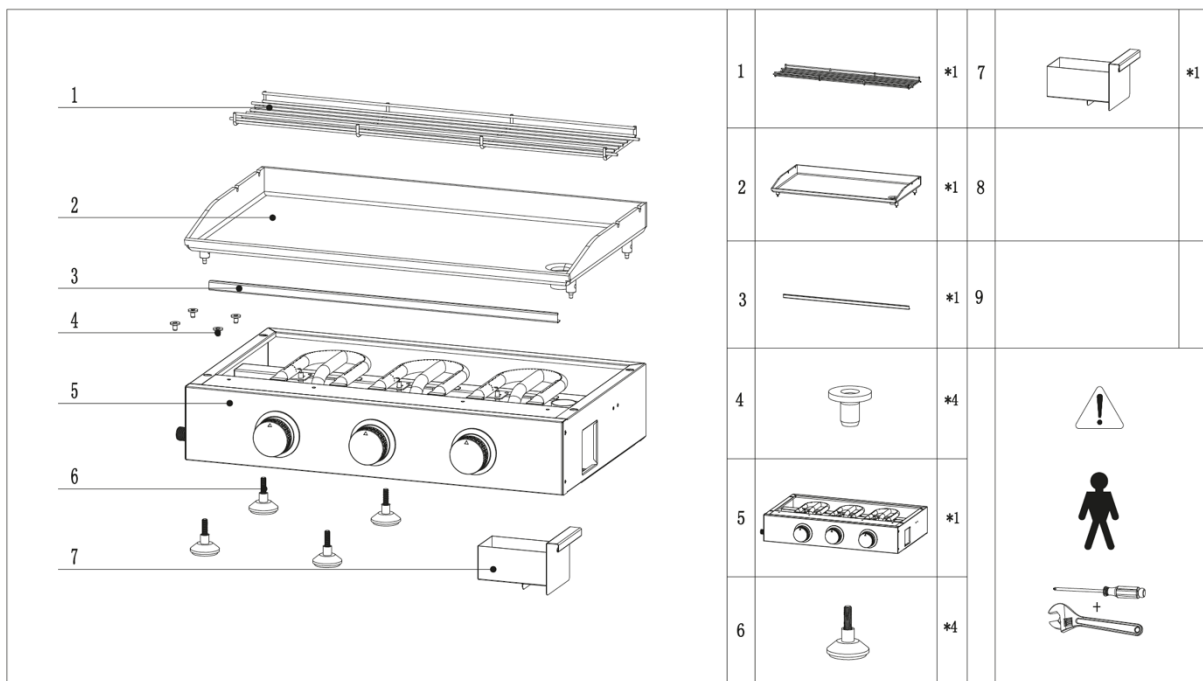
This appliance must be kept away from flammable materials during use.

The appliance must not have any overhead obstruction. E.g. trees, shrubs, lean to roofs. The appliance must be installed with a clearance of 1M around the appliance.

The appliance must not be used near flammable materials. (Petroleum based products, thinners or any other solid object that carries a flammable warning label.)

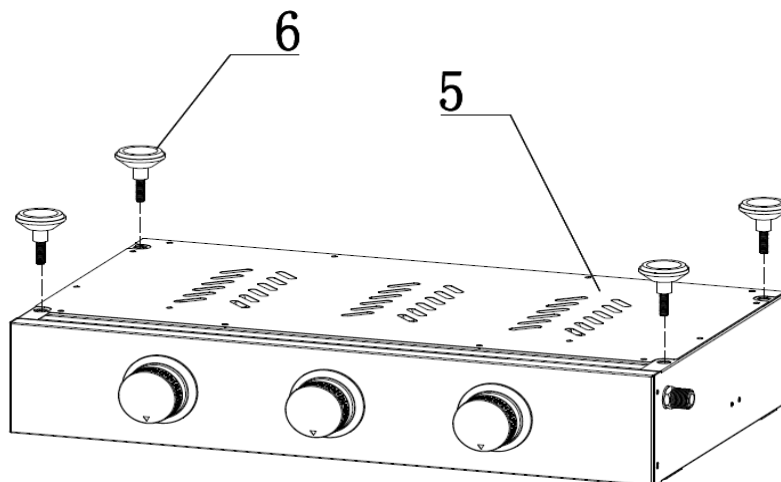
The use of this appliance in enclosed areas can be dangerous and is **PROHIBITED**.

Exploded View:

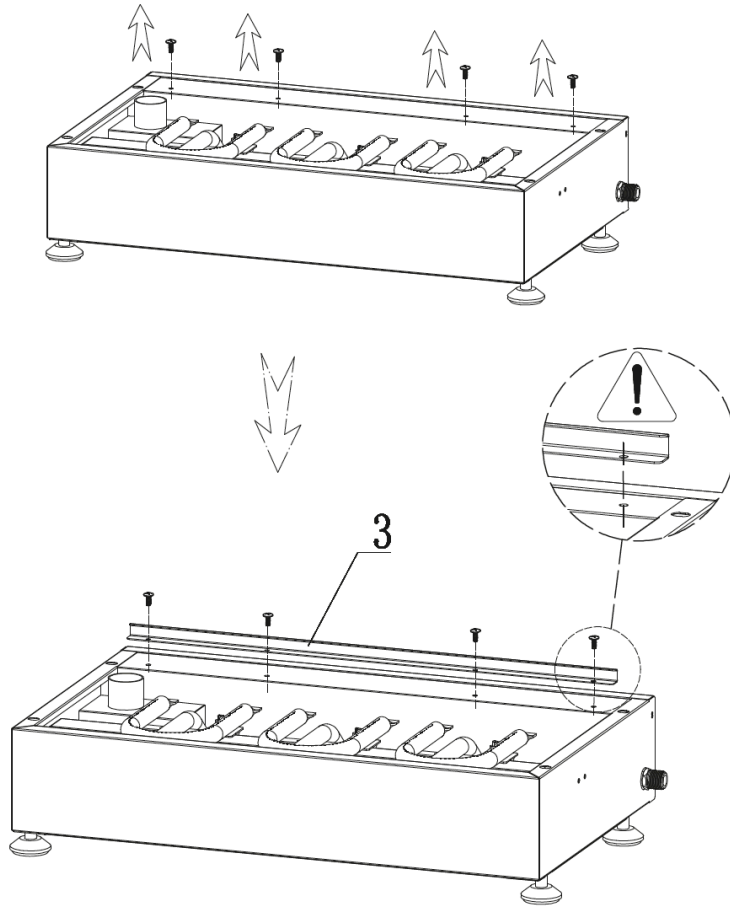


Assembly Instruction:

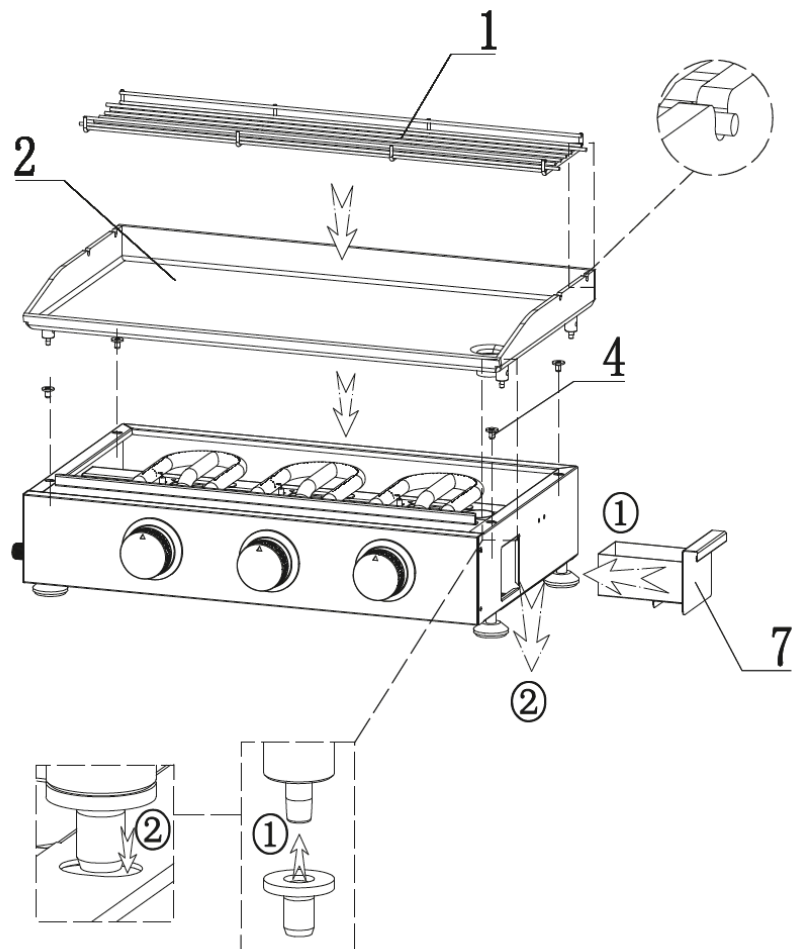
STEP 1



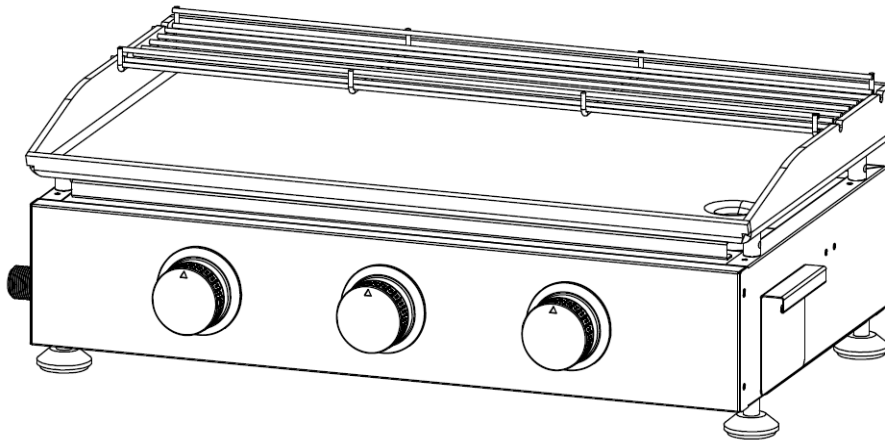
STEP 2



STEP 3



STEP 4



INSTRUCTIONS FOR USE

Follow these instructions carefully to avoid seriously damaging your plancha and causing injury to yourself and to property.

1. Assemble the plancha by following the assembly instructions carefully.
2. Connect the gas hose to the plancha. Connect the regulator to the hose.
3. Connect the regulator to the cylinder valve following the regulator instructions supplied with the regulator.
4. Turn all of the control knobs to the 'OFF' position before turning on the gas supply to the appliance.
5. Operate the regulator in accordance with the instructions supplied with the regulator.

LIGHTING YOUR PLANCHA

Lighting Instructions:

1. Connect the gas cylinder to the plancha following the instructions supplied with the regulator.
2. Turn all the control knobs to the 'OFF' position.
3. Turn 'ON' the gas supply at the cylinder or regulator switch following the regulator connection and operating instructions. Check the cylinder to regulator connection and hose to plancha hose inlet connection for leakage using soapy water. Any leakage will show as bubbles in the area of the leak. If leak is found, do not use the plancha. Consult your gas or plancha supplier for advice.
4. To light the left hand burner, push down and turn the left burner control knob anti-clockwise to the 90° position (full rate position). An audible click will be heard, this should light the burner. Check that the burner is alight. If the burner has not lit, repeat this process.
5. If the burner has not lit after two attempts, turn 'OFF' the gas tap and wait 5 minutes before retrying the ignition sequence.
6. When the burner has lit, the burner rate can be adjusted by push down and turn the knob anti-clockwise to any position between the full and low rate position.
7. Light the remaining burners from left to right in sequence.
8. To turn 'OFF' the plancha, turn the cylinder valve handle or regulator switch to the 'OFF' position by following the regulator instructions. Once the burners have extinguished turn all the control knobs to the 'OFF' position.

Warning: If any burner fails to ignite, turn the control knob off (clockwise) and also turn the cylinder valve off. Wait five minutes before attempting to relight with ignition sequence.

After use, close the gas supply by either turning 'OFF' the switch on the regulator or turning 'OFF' the cylinder valve.

In the event of light back whilst the appliance is in use. Turn all the controls, cylinder valve and regulator switch to the 'OFF' position. Wait 5 minutes before attempting to relight the appliance. If the problem persists after relighting, consult your gas dealer, or the store where you purchased the plancha, or a qualified gas engineer for assistance or repair. Never try to rectify the problem yourself as this could result in serious injury and/or property damage.

Clean the appliance of excess fat, before storage, with a damp cloth using a mild detergent solution as the cleaning agent.

Store the appliance in a clean dry environment.

Do not store your gas cylinder indoors. Store in a well ventilated area away from direct sunlight.

CONNECTING THE GAS CYLINDER TO THE APPLIANCE

This appliance is only suitable for use with low-pressure butane or propane gas and fitted with the appropriate low-pressure regulator via a flexible hose. The hose should be secured to the regulator and the appliance with hose clips/nuts. This plancha is set to operate a 28 mbar regulator with butane gas, and a 37mbar regulator with propane gas, and a regulator with butane/propane mixture at 37mbar, and a regulator with butane/propane mixture at 50mbar and a regulator with butane/propane mixture at 30mbar. Use a suitable regulator certified to BSEN 16129: 2013. Please consult your LPG dealer for information regarding a suitable regulator for the gas cylinder.

BEFORE USE PLEASE CHECK FOR LEAKAGE!

Never check for leaks with a naked flame, always use a soapy water solution.

TO CHECK FOR LEAKS

Make 2-3 fluid ounces of leak detecting solution by mixing one part washing up liquid with 3 parts water.

Ensure the control valve is "OFF".

Connect the regulator to the cylinder and ON/OFF valve to the burner, ensure the connections are secure then turn ON the gas.

Brush the soapy solution on to the hose and all joints. If bubbles appear you have a leak, which must be rectified before use.

Retest after fixing the fault. Turn OFF the gas at the cylinder after testing.

If detected leakage can not be rectified, do not attempt to cure leakage but consult your gas dealer.

In the event of gas leakage, turn off the gas supply.

REGULATOR AND HOSE

Accessories are not supplied with the griddle. Use only regulators and hose approved for LPG at the above pressures (See page 2). The life expectancy of the regulator is estimated as 10 years. It is recommended that the regulator is changed within 10 years of the date of manufacture.

The use of the wrong regulator or hose is unsafe; always check that you have the correct items before operating the plancha.

The hose used must conform to the relevant standard for the country of use. The length of the hose must be 1.5 meters (maximum). Worn or damaged hose must be replaced. Ensure that the hose is not obstructed, kinked, or in contact with any part of the plancha other than at its connection.

The hose should comply with the standard EN16436.

The hose should not be twisted or kinked when attached to the gas cylinder.

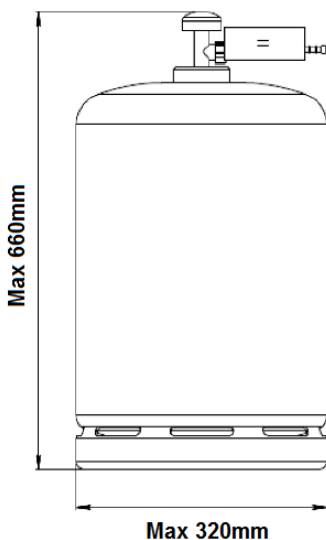
Flexible metal or rubber pipe, used to connect the appliance with the LPG cylinder must be changed within the prescribed intervals and according to the National Rules in force.

No part of the hose should touch any part of the appliance.

STORAGE OF THE APPLIANCE

Storage of an appliance indoors is only permissible if the cylinder is disconnected and removed from the appliance. When the appliance is not to be used for a period of time it should be stored in its original packaging in a dry dust free environment.

GAS CYLINDER



The appliance can be used with any gas cylinder of weights between 4.5KGS and 15 KGS butane and 3.9 KGS to 13 KGS propane. The gas cylinder should not be dropped or handled roughly! If the appliance is not in use, the cylinder must be disconnected. Replace the protective cap on the cylinder after disconnecting the cylinder from the appliance.

Cylinders must be stored outdoors in an upright position and out of the reach of children. The cylinder must never be stored where temperatures can reach over 50°C.

Do not store the cylinder near flames, pilot lights or other sources of ignition. **DO NOT SMOKE.**

CLEANING AND CARE

CAUTION: All cleaning and maintenance should be carried out when the plancha is cool and with the fuel supply turned OFF at the gas cylinder.

Recommend to clean and maintenance the appliance at least once a month.

CLEANING

“Burning off” the plancha after every use (for approx 15 minutes) will keep excessive food residue to a minimum.

1. After use, use lemon or detergent to clean the griddle with a brush in time,
2. Do a good job of anti-rust maintenance, and use edible anti-rust oil to coat the surface of the griddle when idle.
3. The temperature of the stainless steel griddle is very high. It is recommended to cook food at the right temperature.

OUTSIDE SURFACE

Use mild detergent or baking soda and hot water solution. Non-abrasive scouring powder can be used on stubborn stains, then rinse with water.

NEVER USE OVEN CLEANER.

INTERIOR OF PLANCHA BOTTOM

Remove residue using brush, scraper and/or cleaning pad then wash with a soapy water solution. Rinse with water and allow dry it.

PLASTIC SURFACES

Wash with a soft cloth and hot soapy water solution. Rinse with water. Do not use abrasive cleaners, degreasers or a concentrated plancha cleaner on plastic parts.

COOKING GRIDDLE

Use a mild soapy water solution. Non-abrasive scouring powder can be used on stubborn stains, then rinse with water.

GREASE CUP

Please do not open the grease cup during use.

Please check the grease cup on time and take away the oil when 1/3 full.

Method: after the grease cup cold, make grease cup up in horizontal line and move it with hook reverse horizontally, this could take out the grease cup.

CLEANING THE BURNER ASSEMBLY

Turn the gas OFF at the control knob and disconnect the cylinder.

Remove cooling griddle.

Clean the burner with a soft brush or blow clean with compressed air and wipe with a cloth.

Clean any clogged ports with a pipe cleaner or stiff wire (such as an opened paper clip).

Inspect burner for any damage (cracks or holes). If damage is found, replace with a new burner. Reinstall the burner, check to ensure that the gas valve orifices are correctly positioned and secured inside the burner inlet (venturi).

In some cases your plancha will light back because of an insect crawling inside the burner venturi or a spider spinning its web inside the burner. This can be rectified by using a bottle brush inserted through the burner venturi and pushing it into the burner over the burner length. If condition persists consult your gas dealer.

SERVICING

Your gas plancha should be serviced annually by a competent registered person.

WARRANTY

The warranty period for our products is 2 years, unless otherwise stated, starting from the date of initial purchase or the date of delivery.

If you have any problems or questions, you can easily access our help pages, troubleshooting tips, FAQ, and user manuals on our service site: <https://sav.hkoenig.com>.

By typing the reference name of your device in the search bar, you can access all available online support, designed to best meet your needs.

If you still cannot find an answer to your question or problem, then click on “Did the answer solve your problem?”. This will direct you to the Customer Support Request Form, which you can fill out to validate your request and get help.

WARRANTY CONDITIONS

The warranty covers all failures occurring under normal use, in accordance with the usage and specifications in the user's manual.

This warranty does not apply to packaging or transportation problems during shipment of the product by the owner. It also does not include normal wear and tear of the product, nor maintenance or replacement of consumable parts.

EXCLUSION OF WARRANTY

- Accessories and wearing parts (*).
- Normal maintenance of the device.
- All breakdowns resulting from improper use (shocks, failure to comply with power supply recommendations, poor conditions of use, etc.), insufficient maintenance or misuse of the device, as well as the use of unsuitable accessories.
- Damage of external origin: fire, water damage, electrical surge, etc.
- Any equipment that has been disassembled, even partially, by persons other than those authorized to do so (notably the user).
- The products whose serial number would be missing, deteriorated or illegible that would not allow its identification.
- The products subjected to leasing, demonstration, or exhibition.

(*) Some parts of your device, called wear parts or consumables, deteriorate with time and frequency of use of your device. This wear and tear are normal but can be accentuated by poor conditions of use or maintenance of your device. These parts are therefore not covered by the warranty.

The accessories supplied with the device are also excluded from the warranty. They cannot be exchanged or refunded. However, some accessories can be purchased directly through our website: <https://sav.hkoenig.com/>.

CAUTION:



Do not dispose of this product as it has with other household products. There is a separation of this waste product into communities, you will need to inform your local authorities about the places where you can return this product. In fact, electrical and electronic products contain hazardous substances that have harmful effects on the environment or human health and should be recycled. The symbol here indicates that electrical and electronic equipment should be chosen carefully, a wheeled waste container is marked with a cross.

Adeva SAS / H.Koenig Europe - 8 rue Marc Seguin, 77290 Mitry-Mory, France
www.hkoenig.com - <https://en.hkoenig.com> - Tél: +33 1 64 67 00 05

FRANÇAIS

 **AVERTISSEMENT**
POUR VOTRE SÉCURITÉ
À UTILISER UNIQUEMENT À L'EXTÉRIEUR

Lisez attentivement ces instructions et assurez-vous que votre plancha soit correctement installée, montée et entretenue conformément à ces instructions. Leur non-respect peut entraîner de graves blessures et/ou des dégâts matériels. Si vous avez des questions concernant le montage ou le fonctionnement de cette plancha, veuillez consulter votre revendeur, votre fournisseur de gaz, le fabricant ou son agent.

Avertissement :

À UTILISER UNIQUEMENT À L'EXTÉRIEUR.


LIRE LES INSTRUCTIONS AVANT D'UTILISER L'APPAREIL.

AVERTISSEMENT : L'APPAREIL PEUT ÊTRE TRÈS CHAUD, TENIR LES JEUNES ENFANTS À L'ÉCART.

NE DÉPLACEZ PAS L'APPAREIL PENDANT LA CUISSON.

CONSERVEZ CE MODE D'EMPLOI EN LIEU SÛR.

INFORMATIONS TECHNIQUES :

					Pin n°
Nom de l'appareil	Plancha à gaz				2531CU-0055
Pays de destination	Catégories	Type de gaz	Pression (mbar)	Taille de l'injecteur (mm) / Marquage de l'injecteur	Apport de chaleur (Hs)
BE, FR, IT, LU, LV, IE, GB, GR, PT, ES, CY, CZ, LT, SK, CH, SI	I3 + (28-30 / 37) <input checked="" type="checkbox"/>	Butane/ Propane	28-30 / 37	0,78	7,5 7,5 KW (546 g / h)
LU, NL, DK, FI, SE, CY, CZ, EE, LT, LV, MT, SK, SI, BG, IS, NO, TR, HR, RO, IT, HU	I3 B / P (30) <input type="checkbox"/>	Butane/ Propane/ Mélanges de gaz GPL	30	0,78	
À utiliser uniquement à l'extérieur.					
Lire les instructions avant d'utiliser l'appareil.					
AVERTISSEMENT : l'appareil peut être très chaud. Tenir les jeunes enfants à l'écart.					
Ne bougez pas la plancha lorsqu'elle est allumée.					

IMPORTANT :

Lisez attentivement les instructions suivantes et assurez-vous que votre plancha soit correctement installée, assemblée et entretenue. Le non-respect de ces instructions peut entraîner de graves blessures corporelles et/ou des dégâts matériels.

Si vous avez des questions concernant l'assemblage ou le fonctionnement de l'appareil, consultez votre revendeur ou le fournisseur de GPL.

L'appareil et la bouteille de gaz doivent être placés sur une surface plane et ne doivent pas être bougés lorsqu'ils sont en fonctionnement.

Le remplacement de la bouteille de gaz doit être effectué à l'écart de toute source d'inflammation.

Il est recommandé d'utiliser des gants de protection lors de la manipulation d'accessoires particulièrement chauds.

Les pièces scellées par le fabricant ou l'agent ne doivent pas être manipulées par l'utilisateur.

REMARQUE : Conservez ce mode d'emploi en lieu sûr.

Lire attentivement toutes les instructions :

Cet appareil peut être utilisé par des personnes dont les capacités physiques, sensorielles ou mentales sont réduites ou dont l'expérience ou les connaissances ne sont pas suffisantes, à condition qu'elles bénéficient d'une surveillance ou qu'elles aient reçu des instructions quant à l'utilisation de l'appareil en toute sécurité et qu'elles en comprennent bien les dangers potentiels.

Une surveillance étroite est nécessaire lorsqu'un appareil est utilisé par des enfants, en présence ou à proximité d'enfants.

L'appareil ne doit jamais être laissé sans surveillance pendant son utilisation.

Les surfaces peuvent devenir très chaudes pendant l'utilisation.

Tenir les jeunes enfants à l'écart.

Placez l'appareil sur une surface stable et sèche, légèrement éloignée du bord et à plus de 1 m de tout mur ou de tout objet sensible à la chaleur.

Cet appareil est uniquement destiné à un usage privé.

Utilisez-le à l'abri du vent.

N'utilisez pas l'appareil à des fins autres que celles pour lesquelles il est destiné.

L'appareil ne doit pas être déplacé pendant son fonctionnement.

L'utilisation d'accessoires non recommandés par le fabricant de l'appareil peut endommager celui-ci et provoquer des accidents.

Les pièces protégées par le fabricant ou son agent ne doivent pas être manipulées par l'utilisateur.

Ne touchez pas les surfaces chaudes.

Ne manipulez pas l'appareil lorsqu'il est chaud.

Laisser l'appareil refroidir avant de le manipuler ou de le nettoyer.

Ne nettoyez pas l'appareil avec un jet d'eau à haute ou basse pression.

N'utilisez pas de produits chlorés pour nettoyer l'acier inoxydable.

Cet appareil doit être tenu à l'écart des matériaux inflammables.

S'il y a une odeur de gaz, fermez tous les robinets.

N'utilisez jamais un appareil qui fuit.

Toute modification de l'appareil peut être dangereuse.

N'utilisez pas de détendeur réglable.

Le dessous de l'appareil doit être maintenu aéré pour permettre une bonne circulation de l'air dans la pièce.

Ne bloquez pas les orifices de ventilation du châssis.

Attention : n'insérez pas de papier d'aluminium ou tout autre matériau et objet entre la plaque et le cadre (zone de ventilation).

Ne bloquez pas les orifices de ventilation de la plaque inférieure sous le cadre.

En cas de dysfonctionnement, l'examen et la réparation doivent être effectués par un technicien agréé.

Attention : n'utilisez pas cet appareil avec du charbon de bois ou tout autre matériau combustible et source d'énergie autre que celui auquel il est destiné (énergie gazeuse).

Fermez la vanne de la bouteille de gaz après utilisation.

Attention : aucun matériau combustible ne doit se trouver à moins de 1 m de la plancha.

Lorsqu'elle n'est pas utilisée, stockez-la dans un endroit sec.

Nous vous conseillons de conserver l'emballage d'origine lors du stockage de l'appareil.

Votre appareil a été conçu pour un usage domestique seulement. Elle n'a pas été conçue pour être utilisée dans les cas suivants qui ne sont pas couverts par la garantie :

- dans des coins de cuisines réservés au personnel dans des magasins, bureaux et autres environnements professionnels,
- dans des fermes auberges,
- par les clients des hôtels, motels et autres environnements à caractère résidentiel,
- dans des environnements de type chambres d'hôtes.

UTILISATION ET CARACTÉRISTIQUES

La plancha est sûre et facile à utiliser. Les gaz à employer sont le butane à 28-30 mbar, le propane à 37 mbar, les mélanges butane / propane à 30 mbar, les mélanges butane / propane à 37 mbar et les mélanges butane / propane à 50 mbar. Veillez à n'utiliser votre plancha qu'à la pression correcte pour laquelle elle est conçue.

La plancha est munie d'un récipient à graisse sur le côté.

Une ventilation adéquate est vitale pour une bonne combustion et l'efficacité de la plancha. Cela garantira la sécurité de l'utilisateur et des autres personnes à proximité de la zone où l'appareil est en fonctionnement. **N'utilisez jamais l'appareil dans un endroit couvert et fermé.**

Lorsque la vitesse du vent est supérieure à 2 m / s, n'utilisez pas la plancha à gaz face au vent.

L'appareil est conçu pour être utilisé à l'extérieur uniquement.

Ne modifiez pas l'appareil.

**Attention ! La plancha peut être très chaude. Tenez les jeunes enfants à l'écart.
Lisez les instructions avant d'utiliser l'appareil.**

Ne déplacez pas l'appareil pendant son utilisation.

Éteignez l'appareil en fermant la vanne de la bouteille de gaz ou le détendeur après utilisation.

Toute modification apportée à l'appareil peut être dangereuse et entraîner des blessures ou des dommages matériels.

Toute modification non autorisée de l'appareil annulera la garantie de cet appareil.

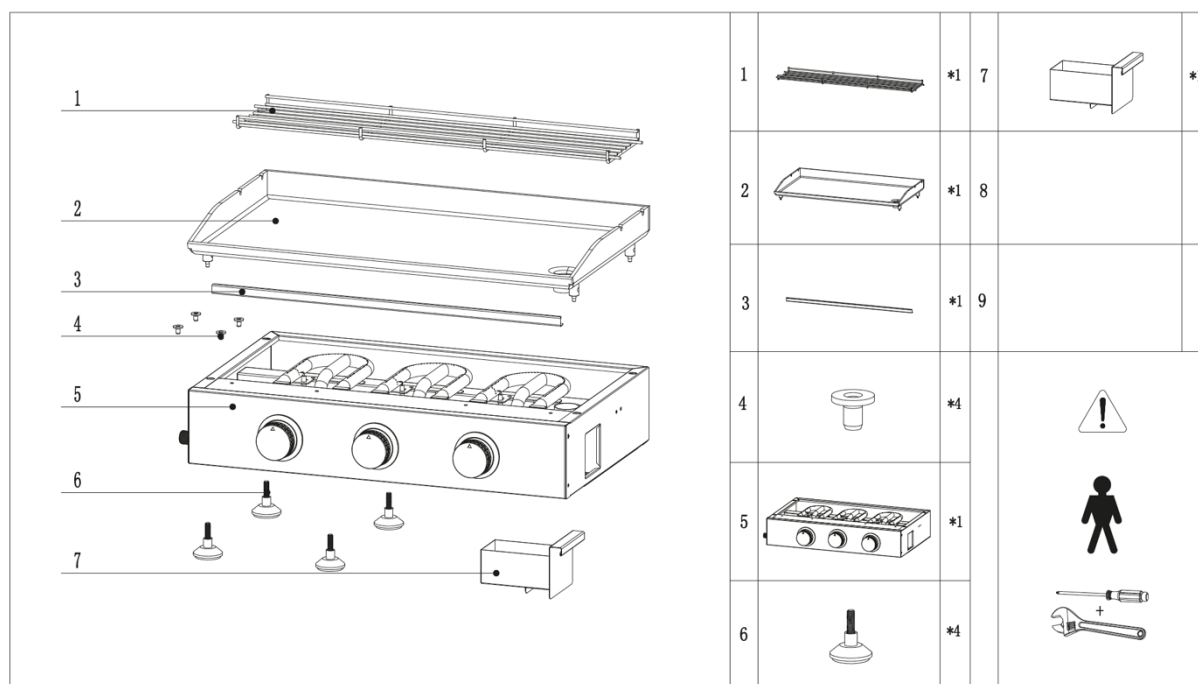
L'appareil doit être tenu à l'écart des matières inflammables pendant l'utilisation.

L'appareil ne doit pas être recouvert, par exemple par des arbres ou des arbustes adossés aux toits. L'appareil doit être installé avec un dégagement de 1m autour de lui.

L'appareil ne doit pas être utilisé à proximité de matériaux inflammables. (Produits à base de pétrole, diluants ou tout autre objet solide portant une étiquette de risque d'incendie.)

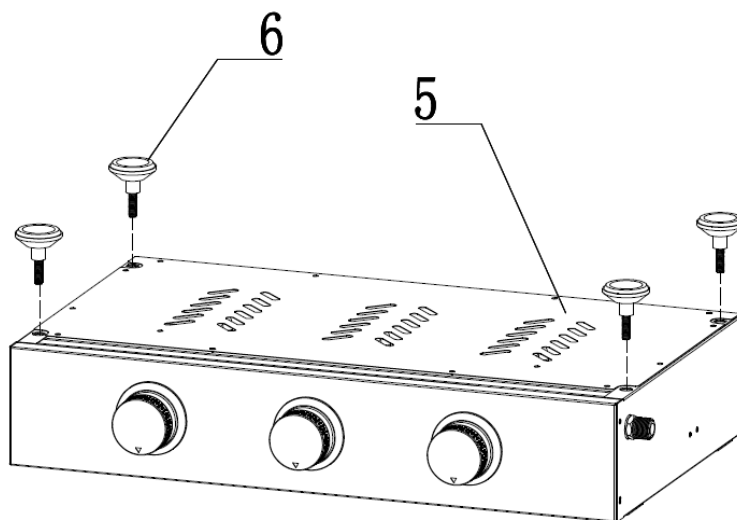
L'utilisation de cet appareil dans des espaces clos peut être dangereuse et est **INTERDITE**.

Vue éclatée :

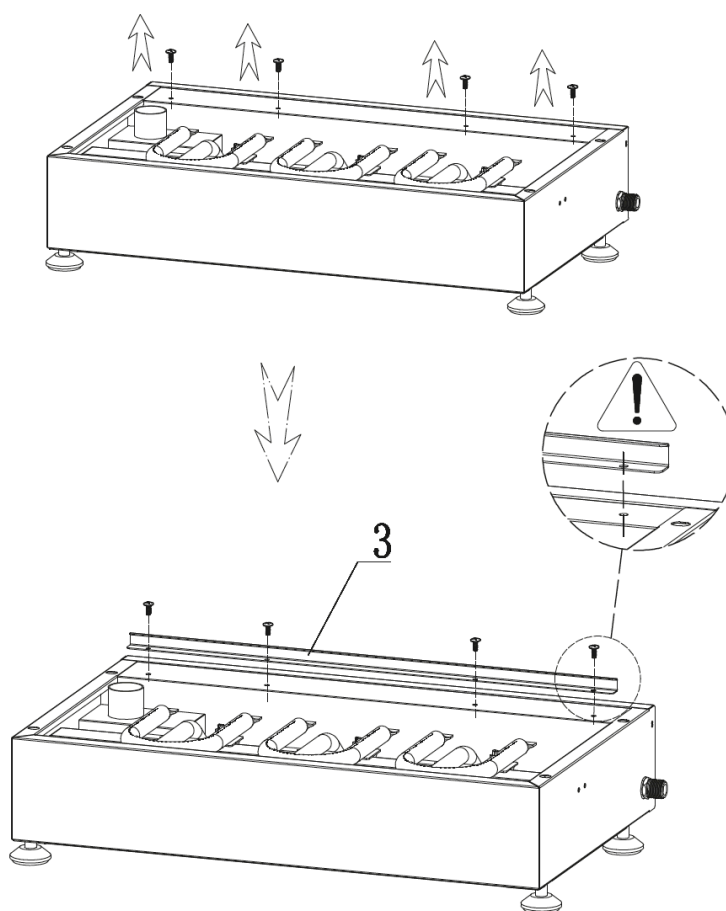


Instructions de montage :

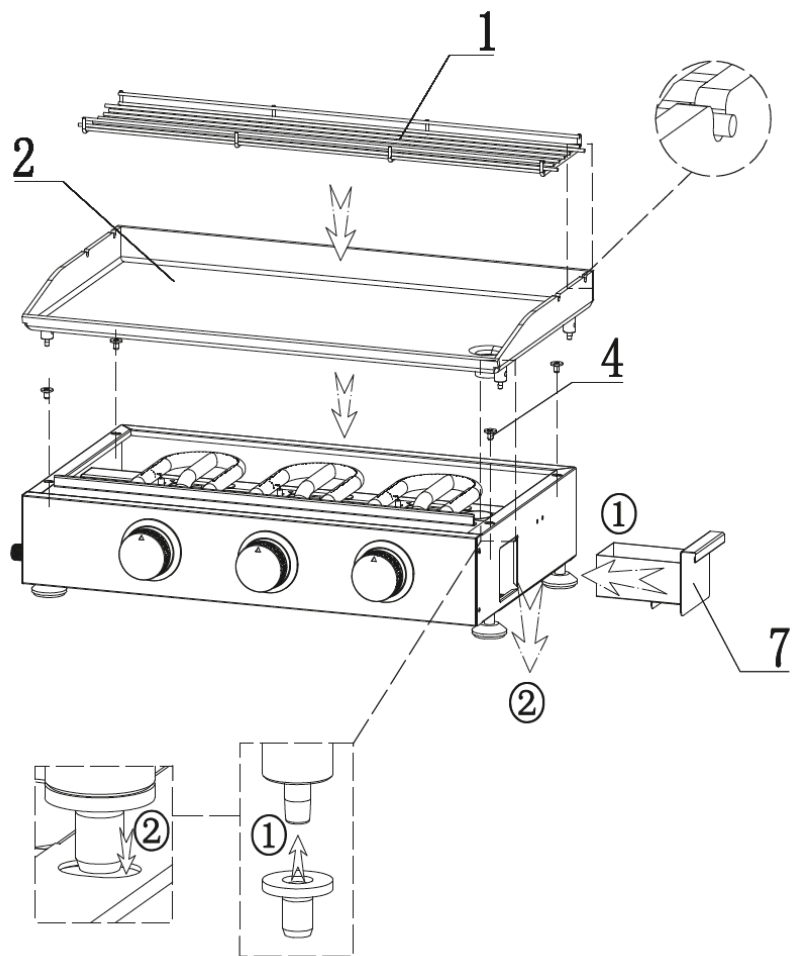
ÉTAPE 1



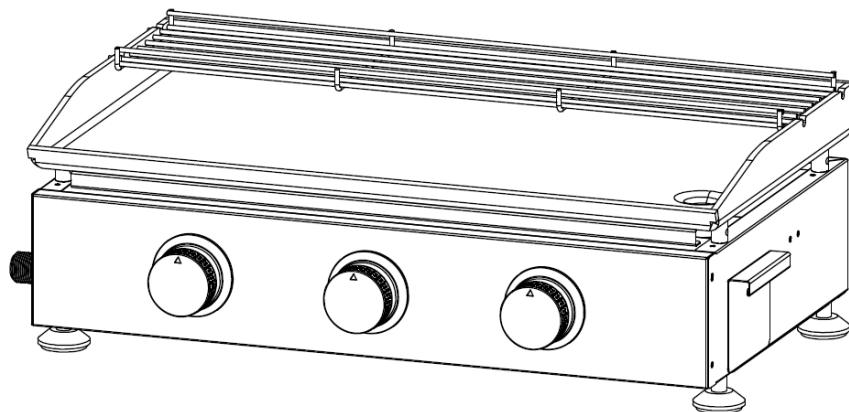
ÉTAPE 2



ÉTAPE 3



ÉTAPE 4



INSTRUCTIONS D'UTILISATION

Suivez attentivement ces instructions pour éviter d'endommager gravement votre plancha et de vous blesser.

1. Assemblez la plancha en suivant attentivement les instructions de montage.
2. Branchez le tuyau de gaz à la plancha, puis le détendeur au tuyau.
3. Connectez le détendeur à la vanne de la bouteille en suivant les instructions fournies avec le détendeur.
4. Tournez toutes les mollettes de commande sur la position «OFF» avant d'ouvrir l'alimentation en gaz de l'appareil.
5. Faites fonctionner le détendeur conformément aux instructions fournies.

ALLUMAGE DE LA PLANCHA

Instructions d'allumage

1. Branchez la bouteille de gaz à la plancha en suivant les instructions fournies avec le détendeur.
2. Tournez toutes les mollettes de commande sur la position «OFF».
3. Ouvrez l'alimentation en gaz au niveau de la bouteille ou de l'interrupteur du détendeur en suivant les instructions d'utilisation. Vérifiez que la connexion de la bouteille avec le détendeur et le tuyau, à l'entrée du tuyau de la plancha, ne fuient pas en étalant de l'eau savonneuse. Toute fuite apparaîtra sous forme de bulles. En cas de fuite, n'utilisez pas la plancha. Consultez votre fournisseur de gaz ou de l'appareil pour obtenir des conseils.
4. Pour allumer le brûleur gauche, poussez et tournez la molette de commande du brûleur gauche vers la gauche jusqu'à 90 ° (position plein régime). Un clic se fera entendre, cela devrait allumer le brûleur. Vérifiez bien qu'il soit allumé. Si le brûleur ne s'est pas allumé, répétez l'opération.
5. Si le brûleur ne s'est pas allumé après deux tentatives, fermez la vanne de gaz et attendez 5 minutes avant de réessayer.
6. Lorsque le brûleur est allumé, sa puissance peut être réglée en poussant et en tournant la molette dans le sens inverse des aiguilles d'une montre à n'importe quelle position entre le régime maximal et minimal.
7. Allumez les brûleurs restants un par un de gauche à droite.
8. Pour éteindre la plancha, tournez la vanne de la bouteille ou l'interrupteur du détendeur sur la position «OFF» en suivant les instructions du détendeur. Une fois les brûleurs éteints, tournez toutes les molettes de commande sur la position «OFF».

Avertissement : Si un brûleur ne s'allume pas, tournez la molette de commande (dans le sens des aiguilles d'une montre) et fermez également la vanne de la bouteille. Attendre cinq minutes avant d'essayer de le rallumer en répétant le point 4.

Après utilisation, coupez l'alimentation en gaz en fermant l'interrupteur du détendeur ou la vanne de la bouteille.

En cas de retour de flamme pendant l'utilisation de l'appareil. Tournez toutes les commandes, la vanne de la bouteille et l'interrupteur du détendeur sur la position «OFF». Attendez 5 minutes avant de tenter de rallumer l'appareil. Si le problème persiste après le rallumage, consultez votre fournisseur de gaz, ou le magasin où vous avez acheté la plancha, ou un ingénieur gazier qualifié pour une assistance ou une réparation. N'essayez jamais de résoudre le problème vous-même, car cela pourrait entraîner des blessures graves et / ou des dommages matériels.

Avant de ranger l'appareil, nettoyez-le l'excès de graisse avec un chiffon humide en utilisant une solution détergente douce.

Rangez l'appareil dans un endroit propre et sec.

Ne stockez pas votre bouteille de gaz à l'intérieur de votre logement, mais dans un endroit bien ventilé à l'abri de la lumière directe du soleil.

RACCORDEMENT DE LA BOUTEILLE DE GAZ À LA PLANCHA

Cet appareil ne convient que pour une utilisation avec du gaz butane ou propane à basse pression, ou bien des mélanges de GPL. Il doit être équipé d'un détendeur basse pression approprié au moyen d'un tuyau flexible. Le tuyau doit être raccordé au détendeur et à l'appareil avec des colliers de serrage. Cette plancha est conçue pour fonctionner avec un détendeur de 28 mbar et du gaz butane, ou un détendeur de 37 mbar et du gaz propane ou un mélange butane / propane, ou un détendeur de 30 ou 50 mbar avec un mélange butane / propane. Utilisez un détendeur certifié BSEN 16129: 2013. Veuillez consulter le revendeur de GPL pour savoir quel détendeur utilisé avec votre bouteille de gaz.

AVANT L'UTILISATION, VÉRIFIEZ S'IL Y A DES FUITES !

Ne cherchez jamais à détecter les fuites avec une flamme nue, utilisez toujours de l'eau savonneuse.

RECHERCHE DE FUITES

Préparer 60 à 90 ml d'eau savonneuse pour détecter des fuites éventuelles en mélangeant une mesure de liquide vaisselle et 3 mesures d'eau.

Veuillez-vous assurer que la vanne de régulation soit sur "OFF".

Branchez le détendeur à la bouteille de gaz et la vanne ON/OFF à la plancha, en vous assurant que les raccordements sont sécurisés, puis ouvrez l'alimentation en gaz.

Étalez l'eau savonneuse sur le tuyau et tous les joints. Si des bulles apparaissent, c'est qu'il y a une fuite qui doit être réparée avant d'utiliser l'appareil.

Effectuez un nouveau test après avoir stoppé la fuite. Coupez le gaz au niveau de la bouteille après le test.

Si une fuite détectée ne peut pas être réparée, n'essayez pas d'y remédier, mais consultez votre revendeur de gaz.

En cas de fuite de gaz, fermez l'alimentation en gaz.

DÉTENDEUR ET TUYAU

Les accessoires ne sont pas fournis avec la plancha. Utilisez uniquement un détendeur et un tuyau homologués pour le GPL aux pressions indiquées à la page 2. La durée de vie du détendeur est estimée à 2 ans. Il est recommandé de le changer dans les 10 ans suivant la date de fabrication.

L'utilisation d'un détendeur ou d'un tuyau incorrect est dangereuse ; vérifiez toujours que vous ayez les bons accessoires avant d'utiliser la plancha.

Le tuyau utilisé doit être conforme à la norme en vigueur dans le pays concerné. La longueur du tuyau doit être de 1,5 mètre (maximum). Les tuyaux usés ou endommagés doivent être remplacés.

Assurez-vous que le tuyau ne soit pas obstrué, plié ou en contact avec une partie de l'appareil autre que son raccordement.

Le tuyau doit être conforme à la norme EN16436.

Le tuyau ne doit pas être tordu ou plié lorsqu'il est fixé à la bouteille de gaz.

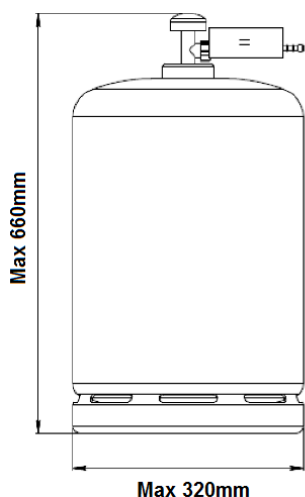
Le tuyau flexible en métal ou en caoutchouc, utilisé pour raccorder l'appareil à la bouteille de GPL, doit être changé dans les intervalles prescrits et selon les règles nationales en vigueur.

Aucune partie du tuyau ne doit toucher l'appareil.

RANGEMENT DE L'APPAREIL

L'entreposage d'un appareil à l'intérieur est permis uniquement si la bouteille est débranchée de l'appareil. Lorsqu'il n'est pas utilisé pendant un certain temps, il doit être gardé dans son emballage d'origine et stocké dans un endroit sec exempt de poussières.

BOUTEILLE DE GAZ



La plancha peut être utilisée avec n'importe quelle bouteille de gaz pesant entre 4,5 kg et 15 kg de butane ou entre 3,9 kg et 13 kg de propane. La bouteille de gaz doit être manipulée avec précaution. Si l'appareil n'est pas utilisé, elle doit être débranchée. Remplacer le capuchon de protection de la bouteille de gaz après l'avoir séparée de l'appareil.

Les bouteilles de gaz doivent être entreposées à l'extérieur dans une position verticale et hors de la portée des enfants. La bouteille de gaz ne doit jamais être rangée dans un endroit où les températures peuvent dépasser 50°C.

Ne stockez pas la bouteille de gaz à proximité de flammes, de veilleuses ou d'autres sources d'inflammation. **NE PAS FUMER.**

NETTOYAGE ET ENTRETIEN

ATTENTION : Tous les travaux de nettoyage et d'entretien doivent être effectués lorsque la plancha est froide et que l'alimentation est coupée au niveau de la bouteille de gaz.

Il est recommandé de nettoyer et d'entretenir l'appareil au moins une fois par mois.

NETTOYAGE

Chauffer la plancha après chaque utilisation (pendant environ 15 minutes) permet d'éliminer les résidus excessifs de nourriture.

1. Après utilisation, utilisez du citron ou un détergent pour nettoyer la plaque de cuisson avec une brosse à temps,
2. Faites un bon travail d'entretien antirouille, et utilisez de l'huile antirouille comestible pour enduire la surface de la plaque de cuisson lorsqu'elle est inutilisée.
3. La température de la plancha en acier inoxydable est très élevée. Il est recommandé de cuire les aliments à la bonne température.

SURFACES EXTÉRIEURES

Utiliser une solution de détergent doux ou de bicarbonate de soude et d'eau chaude. La poudre de dégraissage non abrasive peut être utilisée sur les taches récalcitrantes, puis rincer à l'eau.

NE JAMAIS UTILISER UN NETTOYEUR DE FOUR.

INTÉRIEUR DU FOND DE LA PLANCHA

Enlever les résidus à l'aide d'une brosse, d'un grattoir et / ou d'un tampon nettoyant, puis laver avec de l'eau savonneuse. Rincer à l'eau et laisser sécher complètement.

SURFACES EN PLASTIQUE

Laver avec un chiffon doux et de l'eau chaude savonneuse. Rincer à l'eau. N'utilisez pas de nettoyant abrasif, de dégraissant ou de nettoyant concentré pour plancha sur les pièces en plastique.

PLAQUE DE CUISSON

Utiliser de l'eau savonneuse. La poudre de dégraissage non abrasive peut être utilisée sur les taches récalcitrantes, puis rincer à l'eau.

RÉCIPIENT DE GRAISSE

Veuillez ne pas ouvrir le récipient de graisse pendant l'utilisation.

Veuillez vérifier le récipient de graisse à temps et retirer l'huile quand il est rempli au 1/3.

Méthode : une fois que le récipient a refroidi, relevez-le à l'horizontale et déplacez-le avec le crochet inversé horizontalement.

NETTOYAGE DES BRÛLEURS

Fermez la vanne de la bouteille de gaz puis débranchez celle-ci.

Retirez la plaque de cuisson une fois refroidie.

Nettoyez les brûleurs à l'aide d'une brosse douce ou avec de l'air comprimé, puis essuyez avec un chiffon.

Nettoyez les orifices bouchés avec un nettoyeur à tuyau ou un fil de fer (par exemple, un trombone déplié).

Vérifiez que le brûleur n'ait pas de dommages (fissures ou trous). En cas de dégâts, remplacez-le par un nouveau brûleur. Réinstallez le brûleur et assurez-vous que les orifices de la vanne de gaz sont correctement positionnés et fixés à l'intérieur de l'entrée du brûleur (venturi).

Dans certains cas, votre plancha aura un retour de flamme à cause d'un insecte rampant à l'intérieur du brûleur venturi ou d'une araignée faisant sa toile à l'intérieur du brûleur. Cela peut être corrigé en passant un écouvillon dans le brûleur venturi sur toute la longueur de celui-ci. Si le problème persiste, consultez votre fournisseur de gaz.

ENTRETIEN

Votre plancha à gaz doit être entretenue annuellement par une personne qualifiée.

GARANTIE

La durée de garantie de nos produits est de 2 ans, sauf décret en vigueur, à compter de la date d'achat initiale ou la date de livraison.

En cas de problèmes ou d'interrogations, vous pouvez facilement accéder à nos pages d'aides, conseils de dépannage, FAQ et modes d'emplois sur notre site SAV : <https://sav.hkoenig.com>.

En tapant le nom de référence de votre appareil dans la barre de recherche, vous accédez à tous les supports en ligne disponibles, conçus pour vous répondre au mieux à vos besoins.

Si vous ne trouvez toujours pas de réponse à votre question ou votre problème, alors cliquez sur « Est-ce que la réponse a résolu votre problème ? ». Vous accéderez alors au formulaire de demande d'assistance SAV, qu'il vous suffira de compléter pour valider votre demande et obtenir de l'aide.

CONDITIONS DE GARANTIE

La garantie couvre l'ensemble des pannes survenant dans le cadre d'une utilisation normale, conforme aux usages et spécifications présentes sur le manuel d'utilisation.

Cette garantie ne s'applique pas aux problèmes d'emballage ou de transport pendant l'expédition du produit par son propriétaire. Elle n'inclut également pas l'usure normale du produit, ni la maintenance ou le remplacement de pièces consommables.

EXCLUSION DE GARANTIE

- Les accessoires et les pièces d'usure (*).
- L'entretien normal de l'appareil.

- Toutes pannes survenant par suite d'une mauvaise utilisation (chocs, non-respect des préconisations d'alimentation électrique, mauvaises conditions d'utilisation, etc.), d'un entretien insuffisant ou d'un détournement de fonction de l'appareil, ainsi que l'usage d'accessoires non appropriés.

- Les dommages d'origine externe : incendie, dégâts des eaux, surtension électrique, etc.

- Tout matériel qui aura été démonté même partiellement par des personnes autres que celles habilitées (notamment l'utilisateur).

- Les produits dont le numéro de série serait absent, détérioré ou illisible que ne permettrait pas son identification.

- Les produits soumis à la location, à la démonstration ou à l'exposition.

(*) Certaines pièces de votre appareil dites pièces d'usure ou consommables se détériorent avec le temps et la fréquence d'usage de votre appareil. Cette usure est normale, mais peut être accentuée par des mauvaises conditions d'utilisation ou entretien de votre appareil. Ces pièces ne sont donc pas couvertes par la garantie.

Les accessoires fournis avec l'appareil sont également exclus du champ de la garantie. Ils ne peuvent donc être ni échangés, ni remboursés. Toutefois, certains accessoires peuvent être directement achetés via notre site : <https://sav.hkoenig.com/>.

ATTENTION :




Vous ne devez pas vous débarrasser de cet appareil avec vos déchets ménagers. Un système de collecte sélective pour ce type de produit est mis en place par les communes, vous devez vous renseigner auprès de votre mairie afin d'en connaître les emplacements.

En effet, les produits électriques et électroniques peuvent contenir des substances dangereuses qui ont des effets néfastes sur l'environnement ou la santé humaine et doivent être recyclés. Le symbole ci-contre indique que les équipements électriques et électroniques font l'objet d'une collecte sélective, il représente une poubelle sur roues barrée d'une croix.

Adeva SAS / H.Koenig Europe - 8 rue Marc Seguin, 77290 Mitry-Mory, France
www.hkoenig.com - <https://sav.hkoenig.com> - Tél: +33 1 64 67 00 05

DEUTSCH

 **WARNUNG**
FÜR IHRE SICHERHEIT
NUR DRAUßEN BENUTZEN.

Lesen Sie diese Anleitung sorgfältig und vergewissern Sie sich, dass der Grill ordnungsgemäß gemäß diesen Anweisungen installiert, montiert, gewartet und bedient wird. Die Nichtbeachtung dieser Anweisungen kann zu schweren Körperverletzungen und/oder Sachschäden führen. Bei jeglichen Fragen zu der Installation oder Bedienung dieses Grills kontaktieren Sie bitte Ihren Händler, Ihren Gaslieferanten, den Hersteller oder seinen Dienstleister.

Hinweise an den Benutzer:

“NUR DRAUßEN BENUTZEN”.


“LESEN SIE DIE ANWEISUNGEN VOR DER NUTZUNG DES GERÄTES”.

“WARNUNG: ERREICHBARE TEILE KÖNNEN SEHR HEIß WERDEN, HALTEN SIE KLEINE KINDER DAVON FERN”.

“BEWEGEN SIE DAS GERÄT NICHT WÄHREND DER NUTZUNG”.

“ALS KÜNFTIGE REFERENZ AUFBEWAHREN”.

TECHNISCHE INFORMATIONEN:

					Pin Nr.	
Gerätebezeichnung	Gasgrill					2531CU-0055
Zielland	Kategorien	Gasart	Druck (mbar)	Einspritzdüsengröße(mm) / Einspritzdüsenmarkierung	Wärmeeintrag (Hs)	
BE, FR, IT, LU, LV, IE, GB, GR, PT, ES, CY, CZ, LT, SK, CH, SI	I3+(28-30/37) <input checked="" type="checkbox"/>	Butan/Propan	28-30/37	0.78	7.5kW (546g/h)	
LU, NL, DK, FI, SE, CY, CZ, EE, LT, LV, MT, SK, SI, BG, IS, NO, TR, HR, RO, IT, HU	I3 B/P(30) <input type="checkbox"/>	Butan/Propan/LPG Gasmischungen	30	0.78		
Nur draußen benutzen.						
Lesen Sie die Anweisungen vor der Nutzung des Gerätes.						
Warnung: erreichbare Teile können sehr heiß werden, halten Sie kleine Kinder davon fern.						
Bewegen sie den Grill nicht während der Nutzung.						

WICHTIG:

Lesen Sie die folgende Anleitung sorgfältig und vergewissern Sie sich, dass Ihr Gasgrill ordnungsgemäß installiert, montiert und gewartet wird. Die Nichtbeachtung dieser Anweisungen kann zu schweren Körperverletzungen und/oder Sachschäden führen.

Bei jeglichen Fragen zu der Installation oder Bedienung dieses Grills kontaktieren Sie bitte Ihren Händler oder den LPG-Lieferanten.

Das Gerät und die Gasflasche müssen auf einer ebenen/geraden Fläche platziert und dürfen während des Brennens nicht benutzt werden.

Das Tauschen der Gasflasche muss fern von jeglichen Zündquellen erfolgen.

Es wird empfohlen, Schutzhandschuhe während der Arbeit mit besonders heißen Teilen zu benutzen.

Die von dem Hersteller oder seinem Dienstleister versiegelten Teile dürfen durch Benutzer nicht manipuliert werden.

HINWEIS FÜR DEN BENUTZER: Als künftige Referenz aufbewahren.

Lesen Sie alle Anweisungen sorgfältig.

Dieses Gerät kann von Personen mit eingeschränkten körperlichen, sensorischen oder geistigen Fähigkeiten oder mangelnder Erfahrung und Kenntnis benutzt werden, vorausgesetzt, dass sie beaufsichtigt oder in der sicheren Benutzung des Gerätes unterwiesen werden und die möglichen Gefahren vollständig verstehen.

Enge Aufsicht ist erforderlich, wenn das Gerät von Kindern oder in Anwesenheit oder in der Nähe von Kindern benutzt wird.

Das Gerät darf niemals während der Nutzung unbeaufsichtigt gelassen werden.

Die Flächen können während der Nutzung heiß werden.

Halten Sie kleine Kinder von dem Gerät fern.

Platzieren Sie das Gerät auf einer stabilen und trockenen Fläche, etwas entfernt von dem Rand und mehr als 1 m fern von jeglichen Wänden oder hitzeempfindlichen Teilen.

Dieses Gerät ist ausschließlich für die Haushaltsnutzung draußen geeignet.

Das Gerät muss während der Nutzung vom Wind geschützt werden.

Benutzen Sie das Gerät nicht anderes als zum dafür vorgesehenen Zweck.

Das Gerät darf nicht während der Nutzung bewegt werden.

Die Nutzung des Zubehörs, das nicht von dem Hersteller empfohlen wurde, kann das Gerät beschädigen und zu Unfällen führen.

Die Teile, die durch den Hersteller oder seinen autorisierten Dienstleister geschützt sind, dürfen von dem Benutzer nicht bedient werden.

Berühren Sie keine heißen Flächen.

Fassen Sie das Gerät nicht an, wenn es heiß ist.

Lassen Sie das Gerät abkühlen, bevor Sie dieses handhaben oder reinigen.

Reinigen Sie das Gerät mit keinem Wasserstrahler, mit hohem oder geringem Druck.

Benutzen Sie keine Chlorprodukte, um Edelstahl zu reinigen.

Das Gerät muss von entflammaren Stoffen ferngehalten werden.

Beim Gasgeruch schließen Sie alle Hähne.

Benutzen Sie das Gerät niemals, wenn es undicht ist.

Jegliche Veränderung des Gerätes kann gefährlich sein.

Benutzen Sie keinen einstellbaren Druckregler.

Die Unterseite des Gerätes muss gut belüftet werden, um eine gute Luftzirkulation in dem Raum zu ermöglichen.

Blockieren Sie keine Lüftungsöffnungen in dem Fahrgestell.

Achtung: setzen Sie keine Alufolie oder jegliches anderes Material/ anderen Gegenstand zwischen der Platte und dem Rahmen ein (Ventilationsbereich).

Blockieren Sie keine Lüftungsöffnungen in der Unterplatte unter dem Rahmen.

Im Falle einer Fehlfunktion müssen die Inspektion und Reparatur von einem autorisierten Techniker durchgeführt werden.

Achtung: Benutzen Sie das Gerät nicht mit Holzkohle oder jeglichem anderen brennbaren Material, oder einer anderen Energiequelle als vorgesehen (gasförmige Energieträger).

Schließen Sie nach der Nutzung das Gasflaschenventil.

Achtung: Es dürfen sich keine brennbaren Stoffe innerhalb von 1m von dem Grill befinden.

Während des Nichtgebrauchs lagern Sie das Gerät an einem trockenen Ort.

Wir empfehlen Ihnen, das Gerät in der Originalverpackung zu lagern.

Ihr Gerät ist nur für den Hausgebrauch bestimmt. Es ist nicht für die Verwendung in den folgenden Situationen vorgesehen, die nicht von der Garantie abgedeckt sind:

- in Personalküchen in Geschäften, Büros und anderen professionellen Umgebungen,

- in Landgasthöfen,

- von Gästen in Hotels, Motels und anderen

Wohnumgebungen,

- in Bed-and-Breakfast-Umgebungen.

NUTZUNG UND EIGENSCHAFTEN

Der Grill ist sicher und einfach zu benutzen. Die angegebenen Gase für die Nutzung sind Butan bei 28 bis 30 mbar, Propan bei 37 mbar, Butan-Propan-Mischungen bei 30 mbar, Butan-Propan-Mischungen bei 37 mbar und Butan-Propan-Mischungen bei 50 mbar. Vergewissern Sie sich bitte, dass Sie Ihren Grill mit dem richtigen, für dieses Gerät bestimmten Druck benutzen.

Mit einer Fettbüchse an der Seite.

Eine angemessene Belüftung ist für den Brennvorgang und eine effiziente Leistung des Grills sehr wichtig. Diese gewährleistet die Sicherheit des Nutzers und der Menschen, die sich in der Nähe des bedienten Gerätes befinden. **Benutzen Sie das Gerät niemals in einem geschlossenen oder abgedeckten Raum.**

Wenn die Windgeschwindigkeit 2m/s überschreitet, benutzen Sie den Gasgrill nicht so, dass dieser gegen den Wind ausgerichtet ist.

Das Gerät ist ausschließlich für die Außennutzung geeignet.

Verändern Sie das Gerät nicht.

Warnung! Erreichbare Teile können sehr heiß werden. Halten Sie kleine Kinder davon fern. Lesen Sie die Anweisungen vor der Nutzung des Gerätes.

Bewegen Sie das Gerät nicht während der Nutzung.

Schalten Sie das Gerät an dem Gasflaschenventil oder an dem Regler nach der Nutzung aus.

Jegliche Veränderung des Gerätes kann gefährlich sein und zu Körperverletzungen oder Sachschäden führen.

Jegliche unautorisierte Veränderung des Gerätes wird die Garantie dieses Gerätes annullieren.

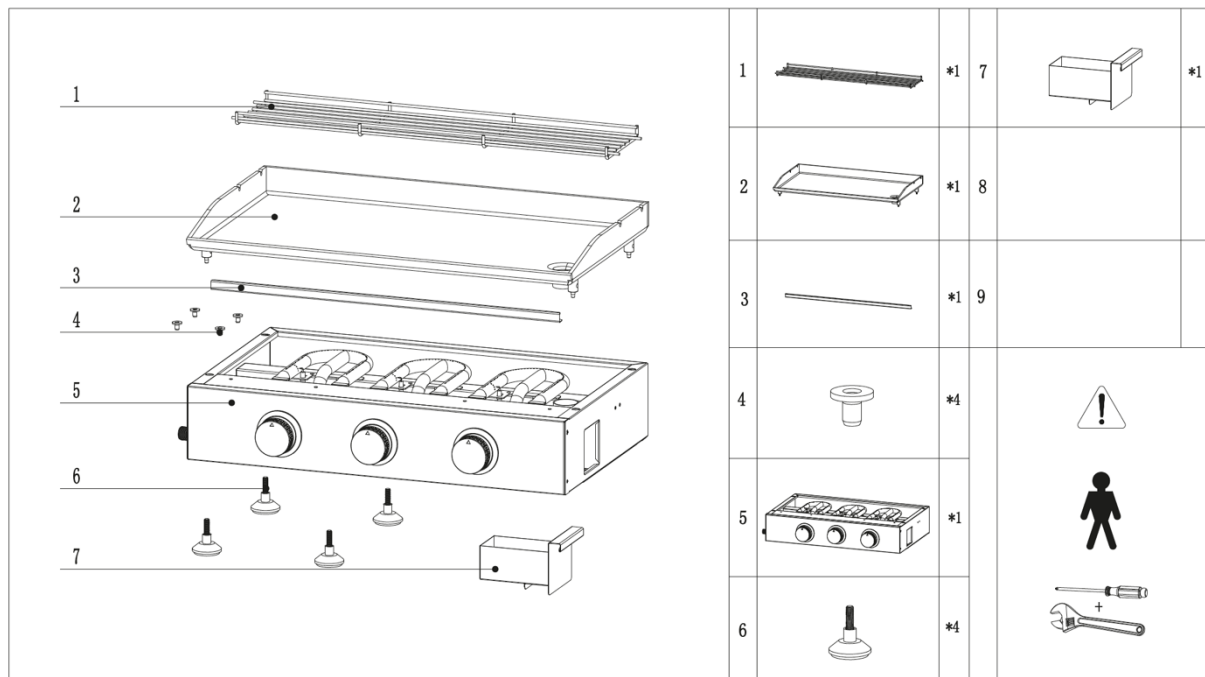
Dieses Gerät muss während der Nutzung fern von entflammaren Materialien gehalten werden.

Das Gerät darf kein hoch liegendes Hindernis haben, wie z.B. Bäume oder Sträucher, darf nicht an Dächer angelehnt werden. Das Gerät muss mit einem Mindestabstand von 1m von allen Seiten installiert werden.

Das Gerät darf nicht in der Nähe von entflammaren Stoffen benutzt werden (Erdölprodukte, Verdünner oder andere feste Gegenstände, die einen entflammaren Warnhinweis haben).

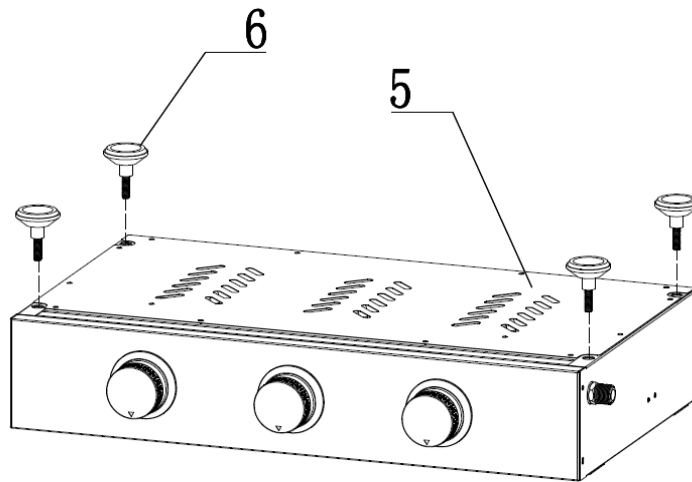
Die Nutzung dieses Gerätes in geschlossenen Räumen kann gefährlich sein und ist **VERBOTEN**.

Produktdetailansicht:

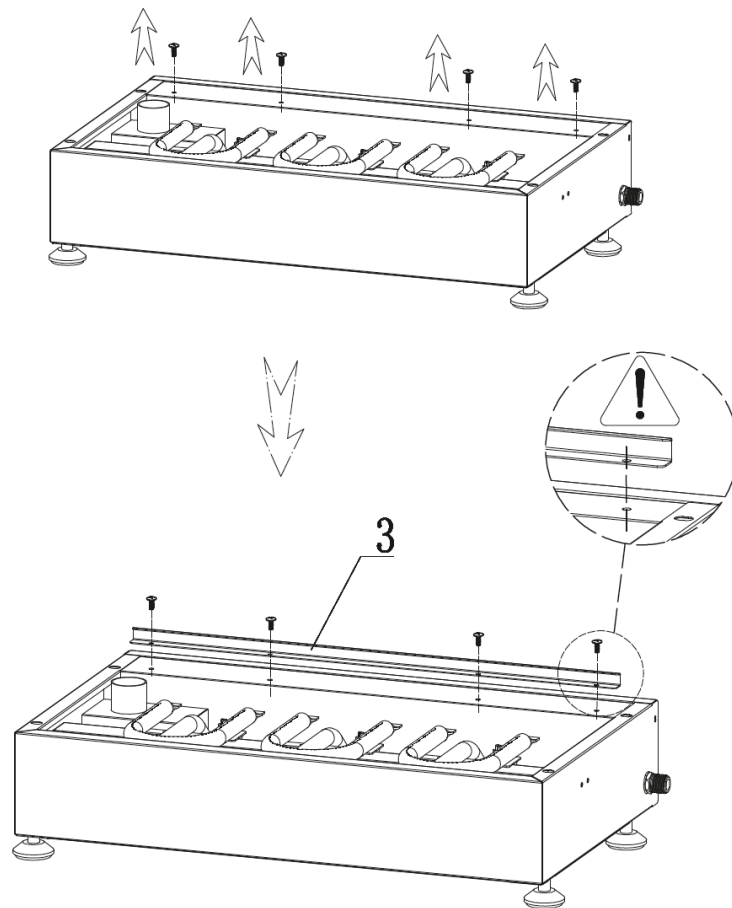


Montageanleitung:

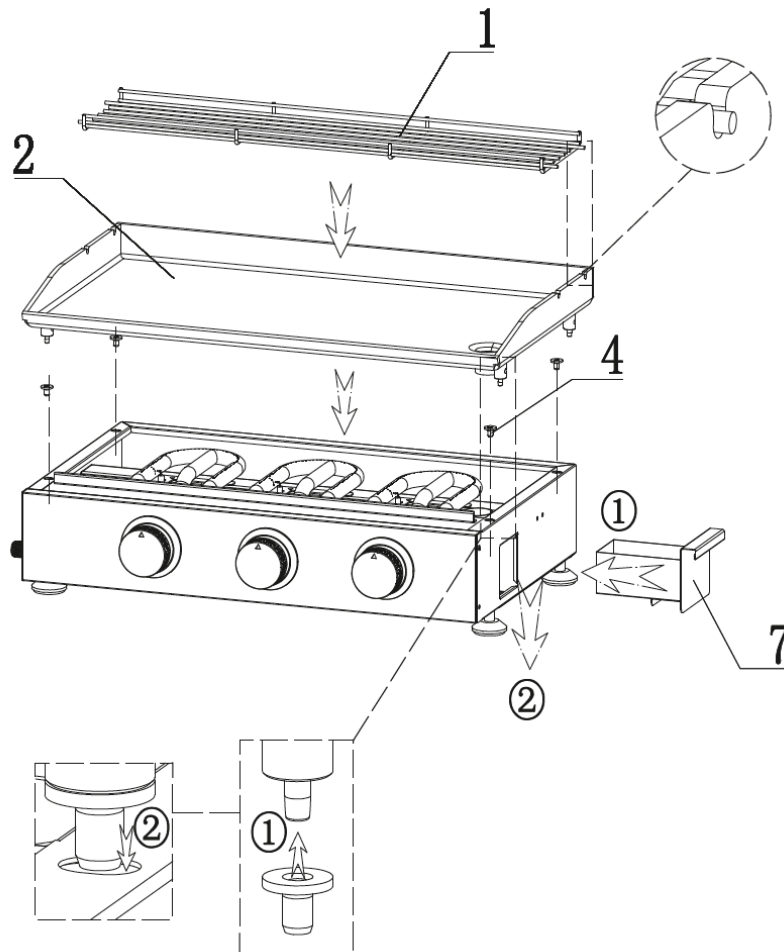
SCHRITT 1



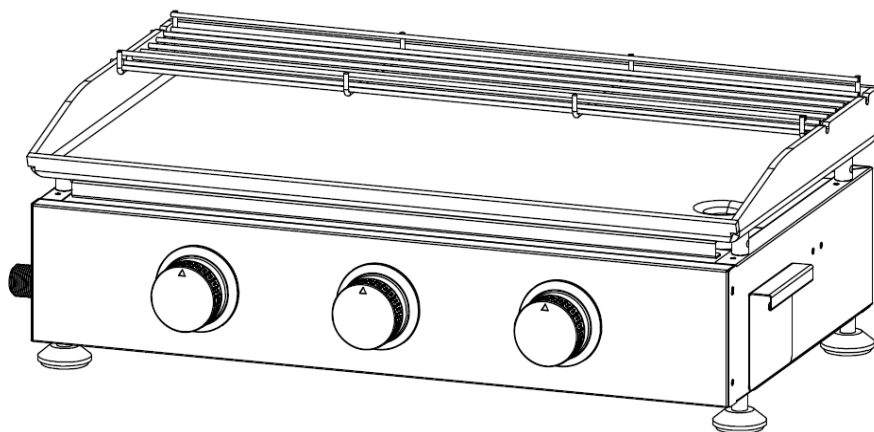
SCHRITT 2



SCHRITT 3



SCHRITT 4



NUTZUNGSANWEISUNGEN

Befolgen Sie diese Anweisungen sorgfältig, um schwere Beschädigungen Ihres Grills, Körperverletzungen und andere Sachschäden zu vermeiden.

1. Bauen Sie Ihren Grill zusammen, indem Sie die Montageanweisungen sorgfältig befolgen.
2. Schließen Sie den Gasschlauch an dem Gasgrill an. Schließen Sie den Regler an dem Schlauch an.

3. Schließen Sie den Regler gemäß den mit dem Regler gelieferten Anweisungen an dem Gasflaschenventil an.
4. Drehen Sie alle Bedienknöpfe in die "OFF" Position, bevor Sie die Gasversorgung des Gerätes starten.
5. Bedienen Sie den Regler gemäß den mit dem Regler gelieferten Anweisungen.

ANZÜNDEN IHRES GASGRILLS

Anweisungen zum Anzünden:

1. Schließen Sie die Gasflasche gemäß den mit dem Regler gelieferten Anweisungen an dem Gasgrill an.
2. Drehen Sie alle Bedienknöpfe in die "OFF" Position.
3. Schalten Sie die Gasversorgung an der Gasflasche oder an dem Schalter des Reglers ein, indem Sie die Anschluss- und Betriebsanweisungen des Reglers befolgen. Überprüfen Sie die Gasflasche-Regler- und Schlauch-Grillzulaufschlauch-Anschlüsse mit Seifenwasser auf Leckagen. Jegliche Leckage wird sich als Blasen in dem undichten Bereich zeigen. Wenn eine Leckage gefunden wird, benutzen Sie den Grill nicht. Lassen Sie sich in diesem Fall von Ihrem Gas- oder Grillhändler beraten.
4. Um den linken Brenner anzumachen, schieben Sie den Bedienknopf des linken Brenners nach unten und drehen Sie diesen linksläufig in die 90° Position (volle Position). Sie werden einen Klick hören, dies sollte den Brenner anzünden. Überprüfen Sie, ob der Brenner funktioniert. Wenn dieser nicht angezündet wird, wiederholen Sie den Vorgang.
5. Wenn der Brenner nach zwei Versuche nicht angezündet ist, drehen Sie den Gashahn zu und warten Sie für 5 Minuten, bevor Sie die Zündfolge wiederholen.
6. Wenn der Brenner an ist, kann die Brennerstärke angepasst werden, indem Sie den Knopf nach unten drücken und diesen linksläufig in jegliche Position zwischen der vollen und niedrigen Stärke drehen.
7. Machen Sie die restlichen Brenner von links nach rechts der Reihenfolge nach an.
8. Um den Gasgrill auszumachen, drehen Sie den Flaschenventilgriff oder den Reglerschalter in die "OFF" Position, indem Sie die Anweisungen des Reglers befolgen. Sobald die Brenner erloschen sind, drehen Sie alle Bedienknöpfe in die "OFF" Position.

Warnung: Wenn einer der Brenner nicht angezündet wird, drehen Sie den Bedienknopf zu "OFF" (rechtsläufig) und drehen Sie das Gasflaschenventil zu. Warten Sie für 5 Minuten, bevor Sie die Zündfolge wiederholen.

Nach der Nutzung sperren Sie die Gasversorgung, indem Sie entweder den Schalter auf dem Regler in die "OFF" Position drehen oder das Gasflaschenventil zumachen.

Falls die Brenner erlöschen, während das Gerät benutzt wird. Drehen Sie alle Knöpfe, das Gasflaschenventil und Reglerschalter in die "OFF" Position. Warten Sie für 5 Minuten, bevor Sie versuchen, das Gerät erneut anzuzünden. Wenn das Problem nach dem wiederholten Anzünden besteht, lassen Sie sich von Ihrem Gashändler, dem Geschäft, wo Sie den Grill gekauft haben, einem qualifizierten Gasingenieur bzgl. der Unterstützung und Reparaturmöglichkeiten beraten. Versuchen Sie niemals, das Problem selbstständig zu beheben, da dies zu schweren Verletzungen und/oder zu Sachschäden führen kann,

Reinigen Sie das Gerät vor der Lagerung vom überschüssigen Fett mit einem feuchten Tuch und einer milden Reinigungslösung wie z.B. einem Reinigungsmittel.

Lagern Sie das Gerät in einer sauberen Umgebung.

Lagern Sie die Gasflasche nicht in Innenräumen. Lagern Sie den Grill an einer gut belüfteten Stelle, geschützt vor direkter Sonneneinstrahlung.

DIE GASFLASCHE AN DAS GERÄT ANSCHLIEßEN

Dieses Gerät darf nur mit einem Butan- oder Propangas mit niedrigem Druck benutzt werden und ist mit einem passenden Niederdruckregler mit einem flexiblen Schlauch ausgestattet. Der Schlauch muss an dem Regler und dem Gerät mit Schlauchschellen/Muttern befestigt werden. Dieser Grill ist so eingestellt, einen 28 mbar Regler mit Butangas, einen 37mbar Regler mit Propangas, den Regler mit Butan-Propan-Mischung bei 37mbar, den Regler mit Butan-Propan-Mischung bei 50mbar, und den Regler mit Butan-Propan-Mischung bei 30mbar zu bedienen. Benutzen Sie einen passenden Regler, der nach BSEN 16129: 2013 zertifiziert ist. Kontaktieren Sie bitte Ihren LPG Händler für Informationen über einen passenden Regler für die Gasflasche.

VOR DER NUTZUNG BITTE AUF LECKAGEN ÜBERPRÜFEN!

AUF UNDICH

Sie niemals nach Leckagen mit offenen Flammen, benutzen Sie immer eine Seifenwasserlösung.

Bereiten Sie eine Seifenwasserlösung zur Erkennung von Leckagen vor, indem Sie ein Teil des Spülmittels mit 3 Teilen Wasser vermischen.

Vergewissern Sie sich, dass das Bedientventil auf "AUS" ist.

Schließen Sie den Regler an der Gasflasche an und das AN/AUS Ventil an dem Brenner, vergewissern Sie sich, dass die Anschlüsse sicher sind, dann machen Sie das Gas an.

Tragen Sie die Seifenlösung auf den Schlauch und alle Verbindungen auf. Die Entstehung von Blasen bedeutet eine Leckage, die vor der Nutzung behoben werden muss.

Wiederholen Sie den Test nach der Reparatur erneut. Schalten Sie Gas nach dem Testen aus.

Wenn die erkannte Leckage nicht behoben werden kann, versuchen Sie nicht, diese selbst zu verdecken, sondern kontaktieren Sie Ihren Gaslieferanten.

Im Falle einer Gasleckage sperren Sie die Gasversorgung.

REGLER UND SCHLAUCH

Das Zubehör ist nicht im Lieferumfang der Plancha enthalten. Benutzen Sie ausschließlich die Regler und Schläuche, die für LPG bei den oben angegebenen Druckwerten (siehe Seite 2) genehmigt wurden. Die Lebensdauer eines Reglers ist für 10 Jahre eingeschätzt. Es wird empfohlen, den Regler innerhalb von 10 Jahren ab dem Kaufdatum zu ersetzen.

Die Nutzung eines unpassenden Reglers oder Schlauchs ist unsicher; überprüfen Sie immer, dass Sie die richtigen Artikel haben, bevor Sie den Grill bedienen.

Der benutzte Schlauch muss mit entsprechenden Normen des Ziellandes übereinstimmen. Die Länge des Schlauchs muss bei 1.5 Meter liegen (maximal). Abgenutzter oder beschädigter Schlauch muss ersetzt werden. Vergewissern Sie sich, dass der Schlauch nicht blockiert, geknickt ist und nicht in Kontakt mit anderen Teilen des Grills außer des Anschlusses kommt.

Der Schlauch muss der Norm EN16436 entsprechen.

Der Schlauch darf nicht verdreht oder geknickt sein, wenn dieser an der Gasflasche befestigt wird.

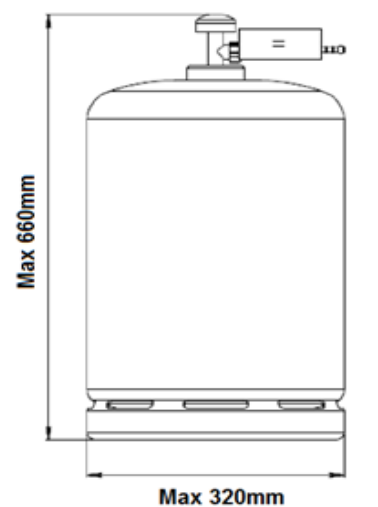
Das Rohr aus flexiblem Metall oder Gummi, das zum Verbinden von dem Gerät mit dem LPG Flasche benutzt wird, muss innerhalb von vorgeschriebenen Zeiträumen und gemäß den geltenden nationalen Vorschriften ersetzt werden.

Kein Teil des Schlauchs darf mit keinem Teil des Gerätes in Berührung kommen.

LAGERUNG DES GERÄTES

Die Lagerung des Gerätes in Innenräumen ist nur dann erlaubt, wenn die Gasflasche von dem Gerät getrennt und entfernt wurde. Wenn das Gerät für eine längere Zeit nicht benutzt wird, muss es in der Originalverpackung in einer trockenen, staubfreien Umgebung gelagert werden,

GASFLASCHE



Das Gerät kann mit allen Gasflaschen, die zwischen 4,5 kg und 15kg für Butan und 3,9kg bis 13 kg für Propan wiegen. Die Gasflasche darf nicht fallen gelassen oder grob behandelt werden! Wenn das Gerät nicht benutzt wird, muss die Gasflasche von dem Gerät getrennt werden. Ersetzen Sie die Schutzkappe auf der Gasflasche, nachdem Sie diese von dem Gerät getrennt haben.

Gasflaschen können draußen in der aufrechten Position und außer Reichweite von Kindern gelagert werden. Die Gasflasche darf nie an dem Ort gelagert werden, wo die Temperaturen 50°C überschreiten. Lagern Sie die Gasflasche nicht in der Nähe von Flammen, Zündflammen oder anderen Zündquellen. **IN DER NÄHE NICHT**

RAUCHEN.

REINIGUNG UND PFLEGE

ACHTUNG: Alle Reinigungs- und Wartungsarbeiten müssen gemacht werden, wenn der Grill abgekühlt ist und die Brennstoffversorgung an der Gasflasche gesperrt ist.

Es wird empfohlen, das Gerät mindestens einmal jeden Monat zu reinigen und zu warten.

REINIGUNG

Das “Abbrennen” des Grills nach jeder Nutzung (für ca. 15 Minuten) sorgt dafür, dass nur minimale überschüssige Essensreste an dem Gerät bleiben.

1. Nach dem Gebrauch, verwenden Sie Zitrone oder Reinigungsmittel, um die Grillplatte mit einer Bürste in der Zeit zu reinigen,
2. Tun Sie eine gute Arbeit der Anti-Rost-Wartung, und verwenden Sie essbare Anti-Rost-Öl, um die Oberfläche der Grillplatte zu beschichten, wenn im Leerlauf.
3. Die Temperatur der Bratplatte aus rostfreiem Stahl ist sehr hoch. Es wird empfohlen, das Essen bei der richtigen Temperatur zu kochen.

AUßENFLÄCHE

Benutzen Sie ein mildes Reinigungsmittel oder Natron und Heißwasserlösung. Ein nicht abrasives Scheuerpulver kann an hartnäckigen Flecken benutzt und danach mit Wasser abgespült werden.

BENUTZEN SIE NIEMALS OFENREINIGER.

INNENRAUM DER GRILLUNTERSEITE

Entfernen Sie die Reste mithilfe einer Bürste, eines Spachtels und/ oder eines Reinigungspads, dann spülen Sie diese mit der Seifenwasserlösung. Danach mit Wasser abspülen und trocknen lassen.

PLASTIKFLÄCHEN

Reinigen Sie diese mit einem weichen Tuch und einer heißen Seifenwasserlösung. Dann spülen Sie diese mit

Wasser ab. Benutzen Sie keine abrasiven Reinigungsmittel, Entfettungsmittel oder konzentrierte Grillreiniger auf den Plastikflächen.

BACKBLECH

Benutzen Sie eine milde Seifenwasserlösung. Ein nicht abrasives Scheuerpulver kann an hartnäckigen Flecken benutzt und dann mit Wasser ab gespült werden.

SCHMIERBÜCHSE

Öffnen Sie bitte die Schmierbüchse nicht während der Nutzung.

Überprüfen Sie bitte die Schmierbüchse rechtzeitig und entfernen Sie das Öl, wenn diese 1/3 voll ist.

Verfahren: Nachdem die Schmierbüchse abgekühlt ist, stellen Sie die Schmierbüchse in die waagerechte Linie und bewegen Sie diese horizontal mit dem Haken rückwärts, so kann die Schmierbüchse entfernt werden.

REINIGUNG DER BRENNER-BAUGRUPPE

Schalten Sie die Gasversorgung an dem Bedienknopf aus und trennen Sie die Gasflasche.

Entnehmen Sie das Kühlblech.

Reinigen Sie die Brenner mit einer weichen Bürste oder blasen Sie sie mit Druckluft sauber und wischen Sie diese mit einem Tuch ab.

Reinigen Sie die verstopften Öffnungen mit dem Pfeifenreiniger oder einem steifen Draht (wie z.B. eine geöffnete Büroklammer).

Überprüfen Sie die Brenner auf Beschädigungen (Risse oder Löcher). Wenn ein Mangel festgestellt ist, ersetzen Sie diesen mit einem neuen Brenner. Installieren Sie den Brenner erneut, überprüfen Sie diesen, um sicherzustellen, dass die Gasventil-Düsen richtig platziert und in dem Brennerzufluss (Venturi) befestigt sind.

In manchen Fällen wird der Grill ausgehen, weil ein Insekt in den Brenner Venturi gekommen ist oder sich dort ein Spinnennetz befindet. Dies kann behoben werden, indem Sie eine Flaschenbürste in den Brenner Venturi einsetzen und diese in den Brenner über die Brennerlänge schieben. Wenn das Problem weiterhin besteht, kontaktieren Sie bitte Ihren Gaslieferanten.

WARTUNG

Ihr Gasgrill muss jährlich von einer kompetenten registrierten Person gewartet werden.

GARANTIE

Die Garantiezeit für unsere Produkte beträgt 2 Jahre, sofern keine anderen Bestimmungen gelten, ab dem Datum des ursprünglichen Kaufs oder ab dem Lieferdatum.

Bei Problemen oder Fragen können Sie sich an unsere Hilfeseiten, Tipps zur Fehlerbehebung, FAQs und Bedienungsanleitungen auf unserer Kundendienst-Website wenden:

<https://sav.hkoenig.com>.

Wenn Sie den Referenznamen Ihres Geräts in die Suchleiste eingeben, erhalten Sie Zugang zu allen verfügbaren Online-Supports.

Wenn Sie immer noch keine Antwort auf Ihre Frage oder Ihr Problem finden, dann klicken Sie auf "Hat die Antwort Ihr Problem gelöst?". Sie können dieses Formular ausfüllen, um Ihre Anfrage zu bestätigen und Hilfe zu erhalten.

GARANTIEBEDINGUNGEN

Die Garantie deckt alle Defekte ab, die bei normalem, bestimmungsgemäßem Gebrauch und den in der Bedienungsanleitung enthaltenen Spezifikationen auftreten.

Diese Garantie gilt nicht für Probleme mit der Verpackung oder dem Transport während des Versands des Produkts durch den Eigentümer. Sie umfasst auch nicht den normalen Verschleiß des Produkts, die Wartung oder den Austausch von Verschleißteilen.

AUSSCHLUSS DER GARANTIE

- Zubehör und Verschleißteile (*).
- Die normale Wartung des Geräts.
- Alle Defekte, die durch unsachgemäßen Gebrauch (Stöße, Nichteinhaltung der empfohlenen Stromzufuhr, schlechte Nutzungsbedingungen usw.), unzureichende Wartung oder Zweckentfremdung des Geräts auftreten, sowie die Verwendung von ungeeignetem Zubehör.
- Schäden durch äußere Einflüsse: Brand, Wasserschäden, elektrische Überspannung usw.
- Alle Geräte, die von anderen als den befugten Personen (insbesondere dem Nutzer) auch nur teilweise auseinandergelassen wurden.
- Produkte, deren Seriennummer fehlt, beschädigt oder unleserlich ist, sodass sie nicht identifiziert werden können.
- Produkte, die vermietet, vorgeführt oder ausgestellt werden.

(*). Einige Teile Ihres Geräts, die als Verschleißteile oder Verbrauchsmaterialien bezeichnet werden, verschleiben mit der Zeit und der Häufigkeit der Nutzung Ihres Geräts. Diese Abnutzung ist normal, kann aber durch falsche Nutzung oder Pflege Ihres Geräts noch verstärkt werden.

Diese Teile sind daher nicht durch die Garantie abgedeckt.

Das mit dem Gerät gelieferte Zubehör ist ebenfalls von der Garantie ausgeschlossen. Sie können daher weder umgetauscht noch erstattet werden. Einige Zubehöerteile können jedoch direkt über unsere Website <https://sav.hkoenig.com/> erworben werden.

ATTENTIE:



Dit apparaat mag niet met uw ander huishoudelijke toestellen worden verwijderd. Dit product moet op een geselecteerde stortplaats verwijderd worden. U kunt bij de gemeente een indicerende plaats aanvragen. Elektrisch en elektronische producten kunnen gevaarlijke stoffen inhouden die schadelijk zijn voor mensen en het milieu en moet recycled worden. Het symbool aan de kant geeft aan dat het een elektrisch en elektronisch toestel is en zijn dus artikelen van een selectieve collectie. Het beeld geeft een afvalbak met een X teken aan.

NEDERLANDS

 **WAARSCHUWING**
VOOR UW VEILIGHEID
ALLEEN BUITEN GEBRUIKEN.

Lees deze handleiding zorgvuldig door en zorg dat uw plancha juist is geplaatst, geassembleerd, en onderhouden volgens deze instructies. Het niet opvolgen van deze instructies kan resulteren in verwondingen en/of schade aan eigendommen. Als u vragen heeft over de assemblage of het gebruik van deze plancha neem dan contact op met uw dealer, uw gasleverancier, de fabrikant of verkoper.

Opmerking voor de gebruiker:

“ALLEEN BUITEN GEBRUIKEN”.


“LEES DE INSTRUCTIES ALVOOR GEBRUIK VAN HET APPARAAT”.

“WAARSCHUWING: TASTBARE ONDERDELEN KUNNEN ERG HEET WORDEN, HOUD JONGE KINDEREN UIT DE BUURT”.

“VERPLAATS HET APPARAAT NIET TIJDENS GEBRUIK”.

“BEWAAR VOOR TOEKOMSTIGE REFERENTIE”.

TECHNISCHE GEGEVENS:

					Pin No.
Naam apparaat	Plancha op gas				2531CU-0055
Land van Bestemming	Categorieën	Soort gas	Druk (mbar)	Formaat injector (mm) / Injectormarkerin g	Warmte-invoer (Hs)
BE, FR, IT, LU, LV, IE, GB, GR, PT, ES, CY, CZ, LT, SK, CH, SI	I3+(28-30/37) <input checked="" type="checkbox"/>	Butaan/ Propaan	28-30/37	0,78	7,5kW (546g/h)
LU, NL, DK, FI, SE, CY, CZ, EE, LT, LV, MT, SK, SI, BG, IS, NO, TR, HR, RO, IT, HU	I3 B/P(30) <input type="checkbox"/>	Butaan/ Propaan/ LPG-gas-mengsels	30	0,78	
Alleen buiten gebruiken.					
Neem de instructies door voor u gebruik maakt van het apparaat.					
WAARSCHUWING: Tastbare onderdelen kunnen erg heet zijn. Houd jonge kinderen uit de buurt.					
Niet de plancha verplaatsen als deze is aangestoken.					

BELANGRIJK:

Lees de volgende instructies zorgvuldig door en zorg dat uw plancha correct is geplaatst, geassembleerd en er opgelet wordt. Het niet opvolgen van deze instructies kan resulteren in verwondingen en/of schade aan eigendommen.

Als u vragen heeft over de assemblage of gebruik, neem dan contact op met uw dealer of LPG-leverancier.

Het apparaat en bussen dienen op een vlakke ondergrond te worden geplaatst en tijdens gebruik niet verplaatst te worden.

Het vervangen van een gasbus dient uit de buurt van ontbrandingsbronnen te gebeuren.

Het wordt aanbevolen beschermende handschoenen te dragen bij het handelen van hete onderdelen.

De onderdelen die verzegeld zijn door de fabrikant of de verkoper mogen niet worden aangepast door de gebruiker.

OPMERKING VOOR DE CONSUMENT: Bewaar de handleiding voor toekomstige referentie.

Lees alle instructies zorgvuldig door.

Dit apparaat kan worden gebruikt door personen met verminderde fysieke, zintuiglijke of mentale vermogens of met gebrek aan ervaring of kennis, op voorwaarde dat zij onder toezicht staan of instructies hebben gekregen over het veilige gebruik van het apparaat en dat zij de mogelijke gevaren volledig begrijpen.

Toezicht is noodzakelijk als een apparaat bij of door kinderen gebruikt wordt.

Het apparaat mag nooit werkend zonder toezicht worden achtergelaten.

Oppervlaktes kunnen erg heet worden tijdens gebruik.

Houd jonge kinderen uit de buurt.

Plaats het apparaat op een stabiel, droog oppervlak, uit de buurt van de rand en meer dan 1 meter van muren of hittegevoelige voorwerpen.

Dit apparaat is alleen bedoeld voor huishoudelijk buiten gebruik.

Gebruik dit apparaat niet in de wind.

Gebruik het apparaat niet voor andere doeleinden dan het beoogde gebruik.

Het apparaat mag niet verplaatst worden tijdens gebruik.

Het gebruik van hulpstukken die niet worden aanbevolen door de fabrikant kunnen schade aan het apparaat en ongelukken veroorzaken.

Onderdelen die beschermd zijn door de fabrikant of zijn vertegenwoordiger mogen niet door de gebruiker aangeraakt worden.

Raak geen hete oppervlakken aan.

Niet het apparaat aanraken als deze heet is.

Laat het apparaat afkoelen voor het handelen of schoonmaken.

Maak het apparaat niet schoon met een hoge- of lagedrukspuit.

Gebruik geen middelen met chloor om roestvrij staal schoon te maken.

Dit apparaat dient uit de buurt te worden gehouden van brandbare materialen.

Als er gas wordt geroken dient u alles te sluiten.

Gebruik nooit een apparaat dat lekt.

Modificaties aan het apparaat kunnen gevaarlijk zijn.

Gebruik geen verstelbare drukregelaar.

De onderkant van het apparaat dient geventileerd te worden voor een goede circulatie in de kamer.

Niet de ventilatieopeningen afdekken van de behuizing.

Waarschuwing: Plaats geen aluminiumfolie of andere materialen of objecten tussen de plaat en het frame (ventilatieruimte).

Blokkeer de ventilatieopeningen niet in de onderplaat onder het frame.

Bij een storing dient het onderzoek en de reparatie uitgevoerd te worden door een geautoriseerde technicus.

Waarschuwing: Gebruik het apparaat niet met kool of ander brandbaar materiaal of energie dan waar het voor is beoogd (gas).

Sluit de gastankdeksel na gebruik.

Waarschuwing: Er mag geen brandbaar materiaal binnen 1 meter van de plancha zijn.

Buiten gebruik op een droge plek opslaan.

We adviseren om de originele verpakking te gebruiken voor de opslag van het apparaat.

Uw apparaat is uitsluitend ontworpen voor huishoudelijk gebruik. Het is niet bedoeld voor gebruik in de volgende situaties, die niet onder de garantie vallen:

- in personeelskeukens in winkels, kantoren en andere professionele omgevingen,
- in boerderijherbergen,
- door gasten in hotels, motels en andere residentiële omgevingen,
- in bed & breakfast-omgevingen.

GEBRUIK EN EIGENSCHAPPEN

De plancha is veilig en makkelijk in gebruik. De gespecificeerde gassen voor gebruik zijn butaan met 28 tot 30 mbar, propaan met 37 mbar, butaan/propaan-mengsels met 30 mbar, butaan/propaan-mengsels met 37 mbar en butaan/propaan-mengsels met 50 mbar. Controleer dat u uw plancha alleen gebruikt met de juiste druk waarvoor het apparaat is ontworpen.

Met een vetbakje ernaast.

Goede ventilatie is essentieel voor ontbranding en efficiëntie van de plancha. Dit verzekert veiligheid voor de gebruiker en andere mensen in de nabijheid van de ruimte waar het apparaat wordt gebruikt. **Nooit het apparaat gebruiken in een afgesloten ruimte.**

Als het harder waait dan 2m/s niet de plancha gebruiken als deze in de wind staat.

Het apparaat is alleen voor gebruik buiten.

Maak geen aanpassingen aan het apparaat.

Waarschuwing! Tastbare onderdelen kunnen erg heet zijn. Houd jonge kinderen uit de buurt.

Neem de instructies door voor u gebruik maakt van het apparaat.

Niet het apparaat tijdens gebruik verplaatsen.

Schakel na gebruik het apparaat uit bij de klep van de gasbus of de regulator.

Elke verandering aan het apparaat kan gevaarlijk zijn en verwondingen of schade aan eigendommen geven.

Elke ongeoorloofde verandering aan het apparaat laat de garantie op het apparaat vervallen.


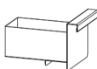




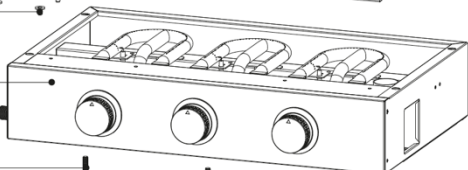


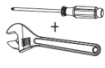

Dit apparaat dient uit de buurt te worden gehouden van brandbare materialen tijdens gebruik.

Boven het apparaat mogen geen obstructies zijn. Zoals bomen, struiken en overdekkingen. Het apparaat dient geplaatst te worden met een vrije ruimte van 1 meter eromheen.

Dit apparaat mag niet worden gebruikt nabij ontbrandbare materialen. (Op petroleum gebaseerde producten, thinner of andere objecten voorzien van een brandbaarheidslabel.)

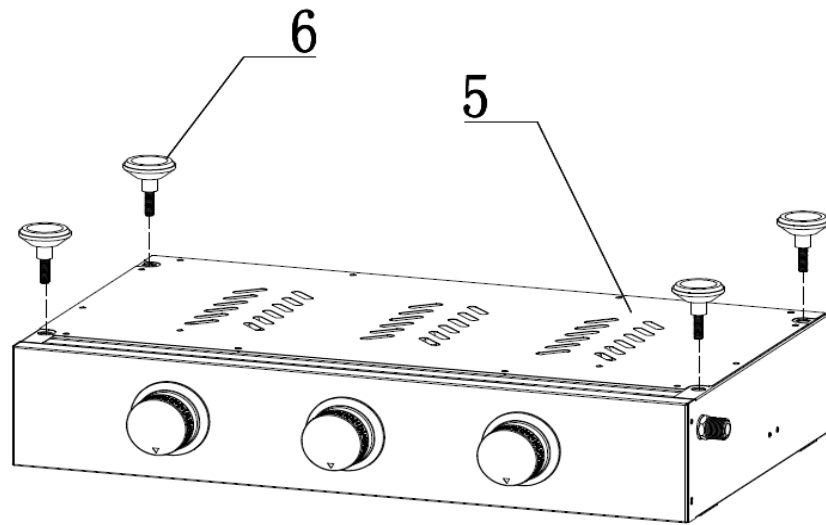
Het gebruik van dit apparaat in afgesloten ruimtes kan gevaarlijk zijn en is **VERBODEN**.

Overzicht:

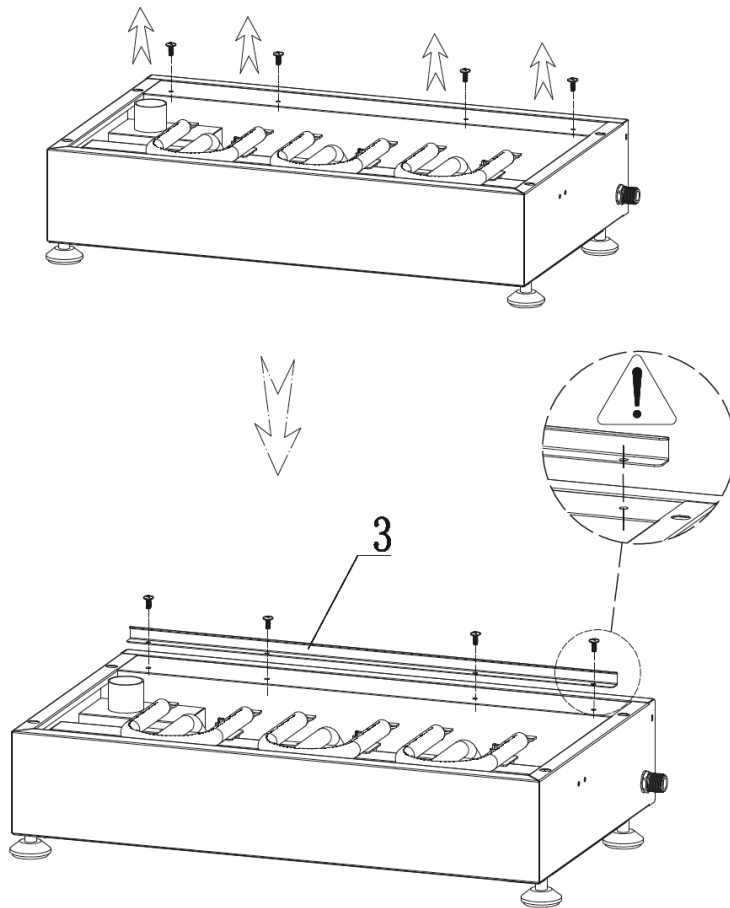
1		*1	7		*1
2		*1	8		
3		*1	9		
4		*4			
5		*1			
6		*4			
7					

Assemblage-instructies:

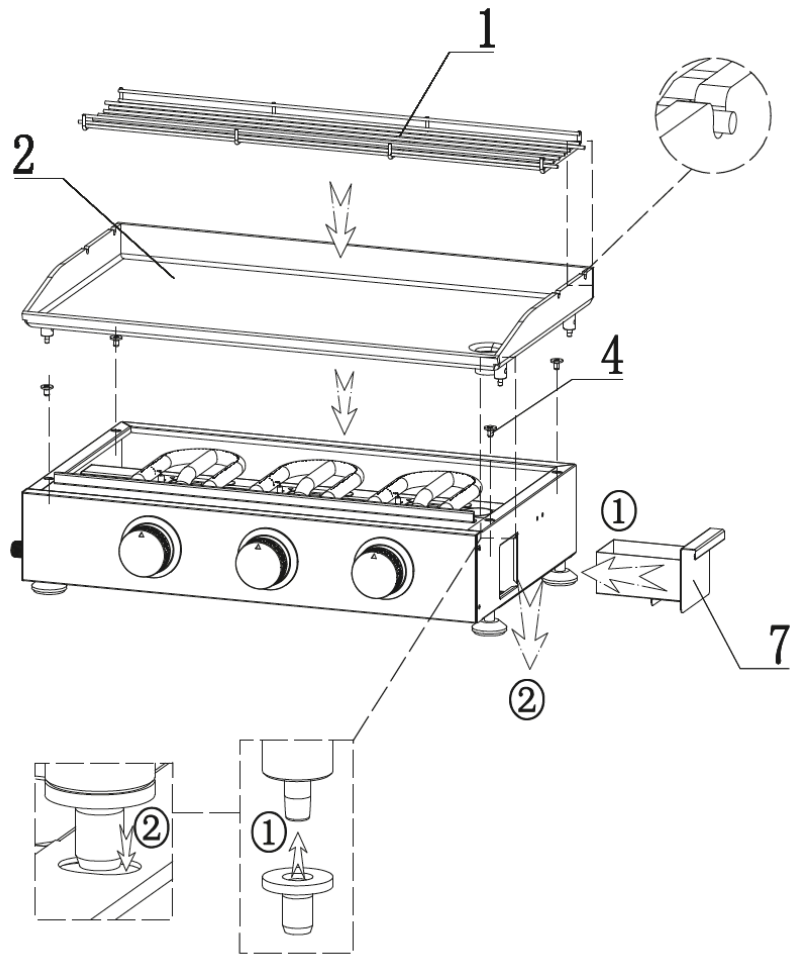
STAP 1



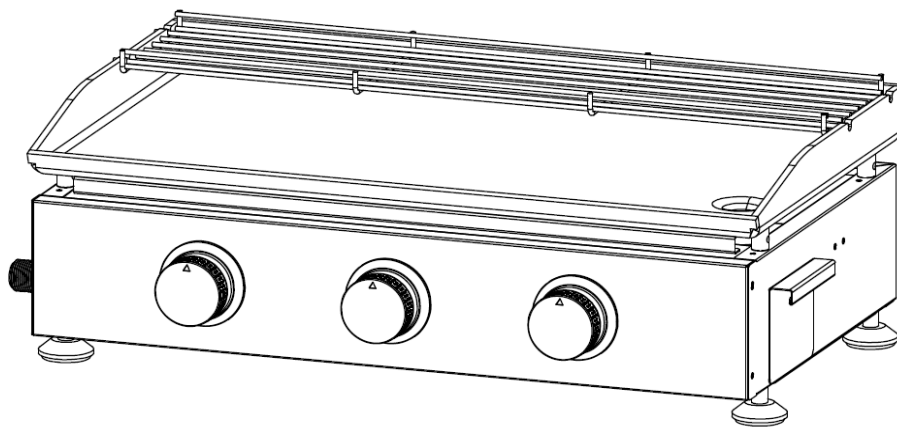
STAP 2



STAP 3



STAP 4



INSTRUCTIES VOOR GEBRUIK

Volg deze instructies zorgvuldig op om schade aan uw plancha en eigendommen, en verwondingen aan uzelf te vermijden.

1. Assembleer de plancha door de assemblage-instructies zorgvuldig te volgen.
2. Sluit de gas slang aan op de plancha. Sluit de regulator aan op de slang.
3. Sluit de regulator aan op de gasbusklep volgens de regulatorinstructies die met de regulator werden meegeleverd.
4. Draai alle bedieningsknoppen naar 'OFF' voordat u de gastoevoer naar het apparaat opent.
5. Gebruik de regulator volgens de instructies die werden meegeleverd met de regulator.

AANSTEKEN VAN UW PLANCHA

Aansteekinstructies:

1. Sluit de gasbus aan op de plancha volgens de instructies die met de regulator werden meegeleverd.
2. Draai alle bedieningsknoppen naar de 'OFF-stand.
3. Zet de gasbus op 'ON' met de regulatoraansluiting volgens de gebruikersinstructies. Controleer de verbinding tussen de gasbus en de regulator en de slang naar de plancha op lekkage met zeepwater. Een lekkage toont zich met bubbels rondom het lek. Als er een lek is, dient u de plancha niet te gebruiken. Vraag uw gas- of planchaleverancier om advies.
4. Om de linkerbrander aan te steken, druk de knop van de linkerbrander naar beneden en draai deze tegen de klok in naar de 90°-stand (stand volledig open). Er zal een klik klinken, hierdoor zou de brander moeten ontsteken. Controleer dat de brander brandt. Als de brander niet brandt, dient u het proces te herhalen.
5. Als de brander na twee pogingen nog niet brandt, draai de gastoevoer op 'OFF' en wacht 5 minuten voordat u hem opnieuw probeert aan te steken.
6. Als de brander brandt, kan de brandersterkte worden aangepast door de knop naar beneden te drukken en tegen de klok in te draaien tot een stand tussen voluit en laag.
7. Steek de andere branders aan van links naar rechts.
8. Om de plancha op 'OFF' te zetten, draai de klep van de gasbus of de regulator naar de 'OFF'-stand door de instructies van de regulator te volgen. Als de branders uit zijn gegaan, draait u de bedieningsknoppen naar de 'OFF-stand.

Waarschuwing: Als een brander niet wil branden, draai de bedieningsknop (met de klok mee) op off en draai de gasbus ook dicht. Wacht vijf minuten voordat u hem opnieuw probeert aan te steken.

Na gebruik de gastoevoer afsluiten via de 'OFF'-stand op de regulator of de klep van de gasbus op 'OFF' zetten.

Indien u hem weer opnieuw wilt aansteken als hij in gebruik is. Draai alle bedieningsknoppen, gasbusklep en regulator naar de 'OFF'-stand. Wacht 5 minuten voordat u het apparaat opnieuw probeert aan te steken. Als het probleem zich blijft voordoen na het opnieuw aansteken, neem contact op met uw gasdealer, de winkel waar u de plancha heeft gekocht of een gekwalificeerde gasmonteur voor raad en reparatie. Probeer nooit zelf het probleem op te lossen, want dit kan resulteren in erge verwondingen en/of beschadigingen.

Maak het apparaat schoon voor de opslag en verwijder overtollig vet met een vochtige doek en een sopje met een mild schoonmaakmiddel.

Bewaar het apparaat op een droge plek.

Bewaar uw gasbus niet binnen maar in een goed geventileerde ruimte weg van direct zonlicht.

DE GASBUS AANSLUITING OP HET APPARAAT

Dit apparaat is alleen geschikt voor gebruik met butaan- of propaangas met lage druk en de geschikte lage druk regulator via een flexibele slang. De slang dient te worden vastgezet aan de regulator en het apparaat met slangenklemmen/schroeven. De plancha werkt met een regulator met 28 mbar met butaangas, 37 mbar met propaangas, 37 mbar met een butaan/propaan-mengsel, 50mbar met een butaan/propaan-mengsel en 30 mbar met een butaan/propaan-mengsel. Gebruik een geschikte regulator die een BSEN 16129: 2013-certificatie heeft . Neem contact met uw gasleverancier op voor informatie over een geschikte regulator voor de gasbus.

VOOR GEBRUIK EERST CONTROLEREN OP LEKKAGE!

Nooit op lekkages controleren met een open vlam, gebruik altijd een sopje.

CONTROLLEREN OP LEKKAGES

Maar een sopje van een deciliter door 1 deel schoonmaakmiddel met 3 delen water te mengen. Controleer dat de klep op 'OFF' staat.

Sluit de regulator aan op de gasbus en de 'ON/OFF'-klep van de brander, controleer dat de verbindingen goed zijn en open dan het gas.

Borstel het sopje op de slang en alle aansluitingen. Als er bubbels verschijnen, heeft u een lek, dit dient te worden aangepakt voor gebruik.

Test opnieuw na de herstelwerkzaamheden. Zet de klep van de gasbus na het testen op OFF.

Als het gevonden lek niet hersteld kan worden, raadpleeg dan uw gasdealer.

Draai bij een gaslek de gastoevoer dicht.

REGULATOR EN SLANG

Bij de bakplaat worden geen accessoires geleverd. Gebruik alleen een regulator en slang die geschikt zijn voor LPG voor de bovenstaande druk (Zie pagina 2). De levensduur van de regulator wordt geschat op 10 jaar. Het wordt aangeraden de regulator te vervangen binnen 10 jaar van de productiedatum.

Het gebruik van een verkeerde regulator of slang is onveilig; altijd controleren dat u de juiste producten heeft voordat u de plancha gebruikt.

De gebruikte slang dient te voldoen aan de regelgeving in het land waarin het gebruikt wordt. De lengte van de slang mag maximaal 1,5 meter zijn. Een versleten of beschadigde dient te worden vervangen. Controleer dat de slang niet verstopt, geknikt is en niet in contact komt met de plancha op de aansluiting na.

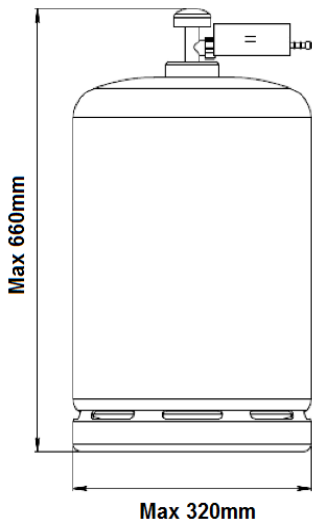
De slang dient te voldoen aan de standaard EN16436.

De slang mag niet verdraaid of geknikt worden als deze aangesloten wordt op de gasbus.

Flexibel materiaal of rubberen slang die gebruikt wordt om op het apparaat aan te sluiten op de gasbus dient te worden vervangen met een tijdsinterval die volgens nationale wetgeving geldt.

Geen deel van de slang mag onderdelen van het apparaat aanraken.

OPSLAG VAN HET APPARAAT



Opslag van het apparaat binnen is alleen toegestaan als de gasbus afgekoppeld en verwijderd is van het apparaat. Als het apparaat langere tijd niet gebruikt wordt, dient het te worden opgeslagen in de originele verpakking in een droge en stofvrije omgeving.

GASBUS

Het apparaat kan worden gebruikt met elke gasbus met een gewicht tussen 4,5 en 15 kilo butaan en 3,9 tot 13 kilo propaan. De gasbus mag men niet laten vallen of ruw behandelen! Als het apparaat niet gebruikt wordt, dient de gasbus te worden afgekoppeld. Herplaats de beschermende kap van de bus nadat deze van de apparaat is afgekoppeld.

Gasbussen dienen buiten, rechtop te worden opgeslagen en buiten bereik van kinderen. De gasbus mag niet worden opgeslagen op een plek waar temperaturen boven 50°C kunnen worden bereikt. Plaats de gasbus niet naast vuur, waakvlammen of andere ontbrandingsbronnen. **NIET ROKEN**

SCHOONMAKEN EN ONDERHOUD

LET OP: Al het schoonmaken en onderhoud dient te worden uitgevoerd als de plancha is afgekoeld en met de brandstoftoevoer op 'OFF' op de gasbus.

Het wordt aangeraden om het apparaat minimaal eens per maand schoon te maken en te onderhouden.

SCHOONMAKEN

"Het afbranden" van de plancha na elk gebruik (gedurende zo'n 15 minuten) zorgt dat achtergebleven voedselresten tot een minimum beperkt blijven.

1. Gebruik na gebruik tijdig citroen of afwasmiddel om de bakplaat met een borstel te reinigen,

2. Doe een goed werk van anti-roest onderhoud, en gebruik eetbare anti-roest olie om het oppervlak van de bakplaat te coaten wanneer het niet gebruikt wordt.

3. De temperatuur van de roestvrijstalen bakplaat is zeer hoog. Het is aanbevolen om voedsel op de juiste temperatuur te koken.

OPPERVLAK AAN DE BUITENKANT

Gebruik een mild schoonmaakmiddel of soda met een warmwateroplossing. Niet-bijtende schuurmiddel kan gebruikt worden op vastzittende vlekken, spoel vervolgens af met water.

NOOIT EEN OVENREINIGER GEBRUIKEN

OVERZICHT VAN DE ONDERKANT VAN DE PLANCHA

Verwijder overblijfselen met een borstel, schraper en/of schoonmaakdoek en was deze met een sopje. Spoel het schoon met schoon water en laat het drogen.

PLASTIC OPPERVLAK

Was af met een droge doek en een warm sopje. Afspoelen met water. Gebruik geen bijtende schoonmaakmiddelen, ontvetter of een geconcentreerde plancha-reiniger op plastic onderdelen.

KOOKPLAAT

Gebruik een mild sopje. Niet-bijtende schuurmiddel kan gebruikt worden op vastzittende vlekken, spoel vervolgens af met water.

VETBAKJE

Open het vetbakje niet tijdens gebruik.

Controleer regelmatig het vetbakje en leeg deze als deze 1/3 is gevuld.

Methode: nadat het vetbakje is afgekoeld, het vetbakje met de haak horizontaal eruit halen.

ASSEMBLAGE VAN DE BRANDER SCHOONMAKEN

Zet de bedieningsknop van het gas op OFF en koppel de gasbus eraf.

Verwijder de kookplaat.

Maak de brander schoon met een zachte borstel of blaas het schoon met luchtdruk of veeg het schoon met een doekje.

Maak verstopte leidingen schoon met een leidingreiniger of een stijve draad (zoals een stuk paperclip).

Controleer of de brander geen schade heeft (scheuren of gaten). Als er schade is, plaats dan een nieuwe brander. Plaats de brander weer terug, controleer dat de gasklep op de juiste stand staat en plaats deze in de branderinlaat.

In sommige gevallen doet een brander het niet omdat een insect in de brander is gekropen of een spin een web erin heeft gemaakt. Dit kan worden opgelost met een

flessenborstel door de gastoevoeropening te steken en door de lengte van de brander te duwen. Als het probleem zich voor blijft doen, neem dan contact op met uw gasdealer.

ONDERHOUD

Uw plancha dient jaarlijks te worden gecontroleerd door een bekwaam gekwalificeerd persoon.

GARANTIE

De garantieperiode op onze producten is 2 jaar, tenzij anders vermeld, beginnend vanaf de datum van de initiële aankoop of bezorgdatum.

Als u problemen of vragen heeft, kunt u eenvoudig onze hulppagina's bezoeken voor tips om problemen op te lossen, de FAQ's en andere gebruikershandleidingen op onze website: <https://sav.hkoenig.com>.

Door de referentiernaam van uw apparaat in de zoekbalk te typen, krijgt u toegang tot alle beschikbare online hulpmiddelen, ontworpen om aan uw behoeften te voldoen.

Als u toch niet geen antwoord op uw vraag kunt vinden, klik dan op "Heeft het antwoord uw probleem opgelost? Hierdoor gaat u naar het Aanvraagformulier voor Klantenondersteuning, dat u in kunt vullen om uw verzoek te valideren en hulp te ontvangen.

GARANTIEVOORWAARDEN

De garantie dekt alle mankementen die voortkomen uit normaal gebruik, volgens de sectie gebruik en specificaties in de gebruikershandleiding.

Deze garantie omvat niet verpakkings- of transportproblemen tijdens het vervoer van het product door de eigenaar. Het omvat ook niet de normale slijtage van het product, noch het onderhoud of vervangen van verbruiksartikelen.

UITSLUITINGEN VAN DE GARANTIE

- Accessoires en verbruiksartikelen (*).
- Normaal onderhoud van het apparaat.
- Alle mankementen veroorzaakt door verkeerd gebruik (schokken, het niet opvolgen van de aanbevolen stroomvoorziening, in slechte omstandigheden gebruiken, etc.), onvoldoende onderhoud of ondeugdelijk gebruik van het apparaat, alsook het gebruik van ongeschikte accessoires.
- Schade van buitenaf: vuur, waterschade, elektrische stroompiek, etc.
- Apparaten die uit elkaar zijn gehaald, ook gedeeltelijk, door personen die niet er niet gekwalificeerd voor zijn (zoals de gebruiker).
- Producten waarvan het serienummer verdwenen, beschadigd of onleesbaar is, waardoor we het niet kunnen identificeren.
- Producten die verhuurd werden of ter demonstratie of showmodel waren.

(*) Sommige onderdelen van uw apparaat, genaamd verbruiksartikelen, slijten naar verloop van tijd en bij veel gebruik van uw apparaat. Deze slijtage is normaal, maar kan verergerd worden door slechte omstandigheden of onderhoud van uw apparaat. Deze onderdelen worden daarom niet gedekt door de garantie.

De accessoires meegeleverd met het apparaat zijn ook uitgesloten van de garantie. Ze kunnen niet vervangen of gerestitueerd worden. Echter, sommige accessoires zijn te koop via onze website: <https://sav.hkoenig.com/>.

ATTENTIE:



Dit apparaat mag niet met uw ander huishoudelijke toestellen worden verwijderd. Dit product moet op een geselecteerde stortplaats verwijderd worden. U kunt bij de gemeente een indicerende plaats aanvragen. Elektrisch en elektronische producten kunnen gevaarlijke stoffen inhouden die schadelijk zijn voor mensen en het milieu en moet recycled worden. Het symbool aan de kant geeft aan dat het een elektrisch en elektronisch toestel is en zijn dus artikelen van een selectieve collectie. Het beeld geeft een afvalbak met een X teken aan.

Adeva SAS / H.Koenig Europe - 8 rue Marc Seguin, 77290 Mitry-Mory, France
www.hkoenig.com - <https://en.hkoenig.com> - Tél: +33 1 64 67 00 05

ESPAÑOL

⚠ ADVERTENCIA

PARA SU SEGURIDAD, USE SOLAMENTE EN EXTERIORES.

Lea atentamente todas las instrucciones y asegúrese de que su plancha esté correctamente instalada y ensamblada de acuerdo con este manual. El incumplimiento de estas instrucciones puede resultar en lesiones corporales graves y/o daños al aparato. Si tiene alguna pregunta sobre el montaje o el funcionamiento de esta plancha, consulte a su distribuidor, proveedor de gas, fabricante o agente.

NOTAS PARA EL USUARIO:

"UTILIZAR SOLO EN EXTERIORES".


"LEA TODAS LAS INSTRUCCIONES ANTES DE UTILIZAR EL APARATO".

"ADVERTENCIA: LAS PIEZAS ACCESIBLES PUEDEN ESTAR MUY CALIENTES, MANTENGA ALEJADOS A LOS NIÑOS PEQUEÑOS".

"NO MUEVA EL APARATO DURANTE EL COCINADO".

"CONSERVE ESTE MANUAL PARA FUTURAS REFERENCIAS".

INFORMACIONES TÉCNICA:

					Pin No.	
Nombre del aparato	Plancha de Gas					2531CU-0055
País de Destino	Categorías	Tipo de Gas	Presión (mbar)	Tamaño del Inyector(mm) /Marca del Inyector	Entrada de calor (Hs)	
BE, FR, IT, LU, LV, IE, GB, GR, PT, ES, CY, CZ, LT, SK, CH, SI	I3+(28-30/37) ☒	Butano/Propano	28-30/37	0.78	7.5kW (546g/h)	
LU, NL, DK, FI, SE, CY, CZ, EE, LT, LV, MT, SK, SI, BG, IS, NO, TR, HR, RO, IT, HU	I3 B/P(30) ☐	Butano/Propano/Mezclas de gas LPG	30	0.78		
Utilizar solo en exteriores.						
Lea todas las instrucciones antes de usar el aparato.						
ADVERTENCIA: las partes accesibles pueden estar muy calientes. Mantenga alejados a los niños pequeños.						

MEDIDAS DE SEGURIDAD:

- Lea atentamente todas las instrucciones y asegúrese de que su plancha esté correctamente instalada y ensamblada de acuerdo con este manual. El incumplimiento de estas instrucciones puede resultar en lesiones corporales graves y/o daños al aparato.
- Si tiene alguna pregunta sobre el montaje o el funcionamiento de esta plancha, consulte a su distribuidor o con la empresa LPG.
- El aparato y el cilindro deben colocarse sobre una superficie nivelada y no deben moverse mientras estén encendidos.
- El cambio del cilindro de gas se debe realizar lejos de cualquier fuente de ignición.
- Se recomienda utilizar guantes protectores cuando se manipulen componentes calientes.
- Las partes selladas por el fabricante o su agente no deben ser manipuladas por el usuario.

NOTA PARA EL CONSUMIDOR: Conserve este manual para futuras referencias.

- Lea atentamente las instrucciones de uso.
- Este aparato puede ser utilizado por personas con capacidades físicas, sensoriales o mentales reducidas o con falta de experiencia o conocimientos, siempre que sean supervisadas o instruidas en el uso seguro del aparato y que entiendan perfectamente los peligros

potenciales.

- El aparato nunca debe dejarse desatendido durante su uso.
- Las superficies pueden calentarse durante el uso.
- Mantenga alejados a los niños pequeños.
- Coloque el aparato sobre una superficie estable y seca, ligeramente alejado del borde y a más de 1m de cualquier pared o partes sensibles al calor.
- Este aparato está diseñado para uso doméstico y al aire libre.
- No utilice el aparato para fines distintos a los previstos.
- El aparato no debe moverse durante el funcionamiento.
- El uso de accesorios no recomendados por el fabricante puede dañar el aparato y provocar accidentes.
- Las piezas selladas por el fabricante o su representante autorizado no deben ser manipuladas por el usuario.
- No toque las superficies calientes.
- No manipule el aparato cuando esté caliente.
- Deje que el aparato se enfríe antes de manipularlo o limpiarlo.
- No utilice chorros de agua a alta o baja presión para limpiar el aparato.
- No utilice productos que contengan cloro para limpiar acero inoxidable.
- Mantenga el aparato lejos de materiales inflamables.

- Si huele a gas, cierre todas las válvulas.
- No use el aparato si tiene fugas.
- Cualquier modificación del aparato puede ser peligrosa.
- No utilice un regulador de presión ajustable.
- La parte inferior del aparato debe mantenerse ventilada para permitir una buena circulación de aire en la habitación.
- No bloquee los orificios de ventilación del chasis.
- **Precaución:** No inserte papel de aluminio ni ningún otro material u objeto entre la placa y el marco (área de ventilación).
- No bloquee los orificios de ventilación de la placa inferior debajo del marco.
- En caso de avería, el examen y la reparación deben ser realizados por un técnico autorizado.
- **Precaución:** No utilice este aparato con carbón vegetal o cualquier otro material combustible que no sea para el que está diseñado (gas).
- Después de cada uso cierre la válvula del tanque de gas.
- **Precaución:** No debe haber material combustible a 1m de la plancha.
- Cuando no esté en uso, guarde el aparato en un lugar seco.
- Le recomendamos que conserve el embalaje original cuando guarde el aparato.

Su aparato ha sido diseñado únicamente para uso doméstico. No ha sido diseñado para ser utilizado en las siguientes situaciones que no están cubiertas por la garantía:

- en áreas de cocina para el personal en tiendas, oficinas y otros entornos profesionales,
- en albergues agrícolas,
- en hoteles, moteles y otros entornos residenciales,
- en entornos de tipo bed and breakfast.

USO Y CARACTERISTICAS:

La plancha es segura y fácil de usar. Los gases especificados para uso son butano a 28 - 30 mbar, propano a 37 mbar, mezclas de butano/propano a 30 mbar, mezclas de butano/propano a 37 mbar y mezclas de butano/propano a 50 mbar. Asegúrese de utilizar su plancha solo con la presión correcta para la que está diseñada.

Una ventilación adecuada es vital para la combustión y el rendimiento eficiente de la plancha. Esto garantizará la seguridad del usuario y de otras personas en las proximidades del área donde se utiliza el aparato.

Nunca use el aparato en un área cerrada.

Cuando la velocidad del viento sea superior a 2 m/s, no utilice planchas de gas de cara al viento.

El aparato está diseñado para uso exclusivamente en exteriores.

No modifique el aparato.

¡Advertencia! Las partes accesibles pueden estar muy calientes. Mantenga alejados a los niños pequeños.

Lea las instrucciones antes de usar el aparato.

No mueva el aparato mientras está en uso.

Cierre la válvula del cilindro de gas o el regulador después de cada uso.

Cualquier modificación al aparato puede ser peligrosa y puede causar lesiones o daños al mismo.

Cualquier modificación no autorizada del aparato invalidará la garantía.

Este aparato debe mantenerse alejado de materiales inflamables durante su uso.

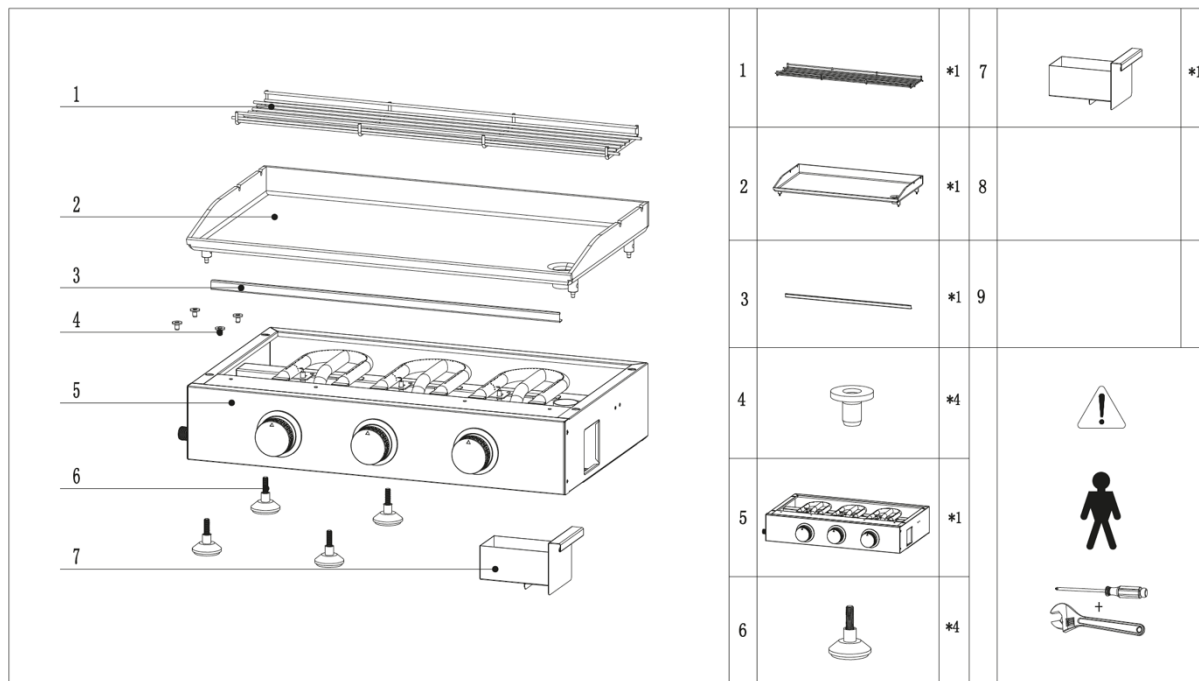
El aparato no debe tener ninguna obstrucción encima, por ejemplo, árboles, arbustos o techos. El

aparato debe instalarse con un espacio libre de 1m alrededor.

El aparato no debe utilizarse cerca de materiales inflamables. (Productos a base de petróleo, diluyentes o cualquier otro objeto sólido que lleve una etiqueta de advertencia de inflamabilidad).

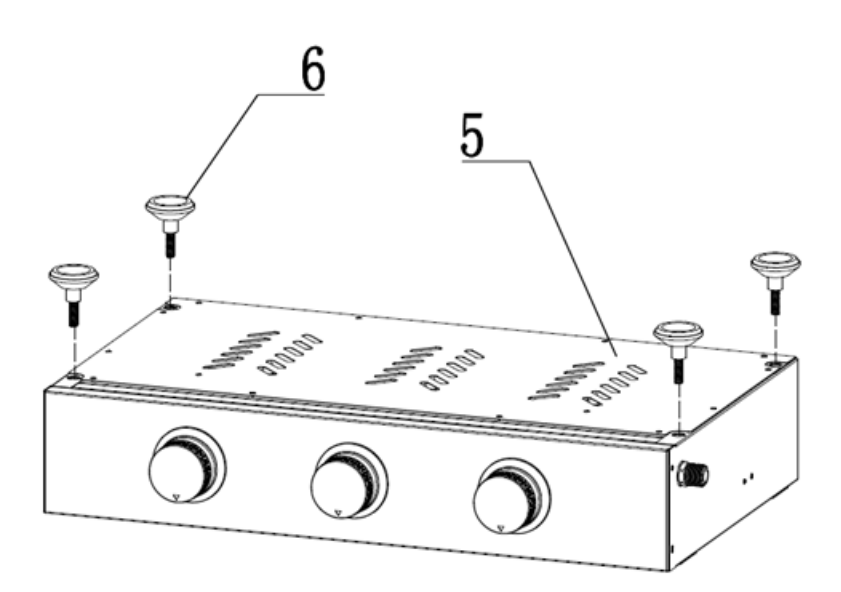
El uso de este aparato en áreas cerradas puede ser peligroso y está **PROHIBIDO**.

VISTA DETALLADA DEL PRODUCTO

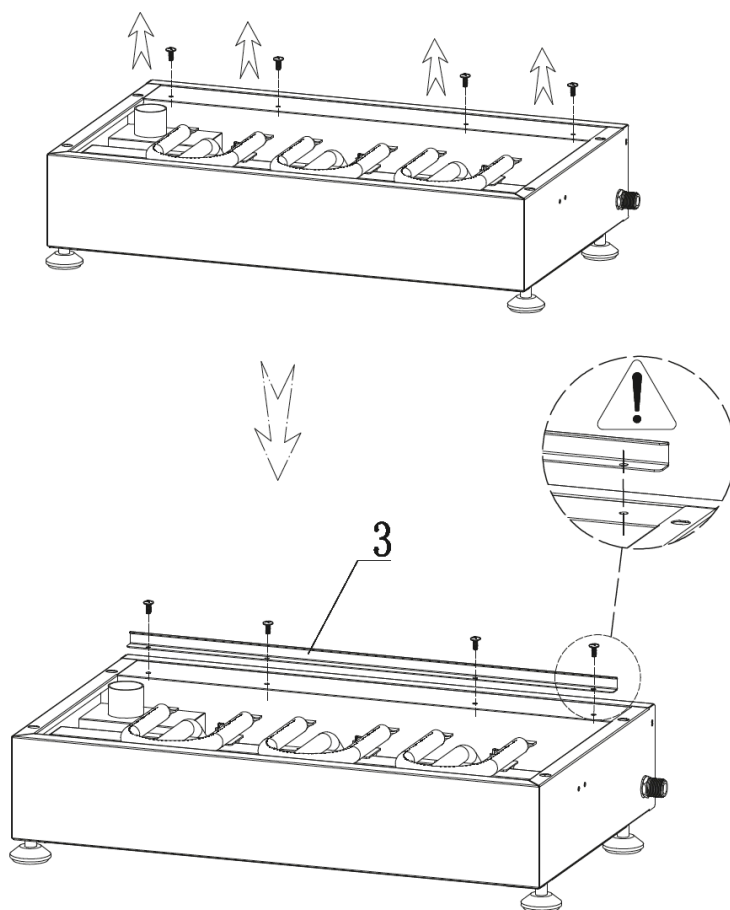


Instrucciones de Ensamblaje:

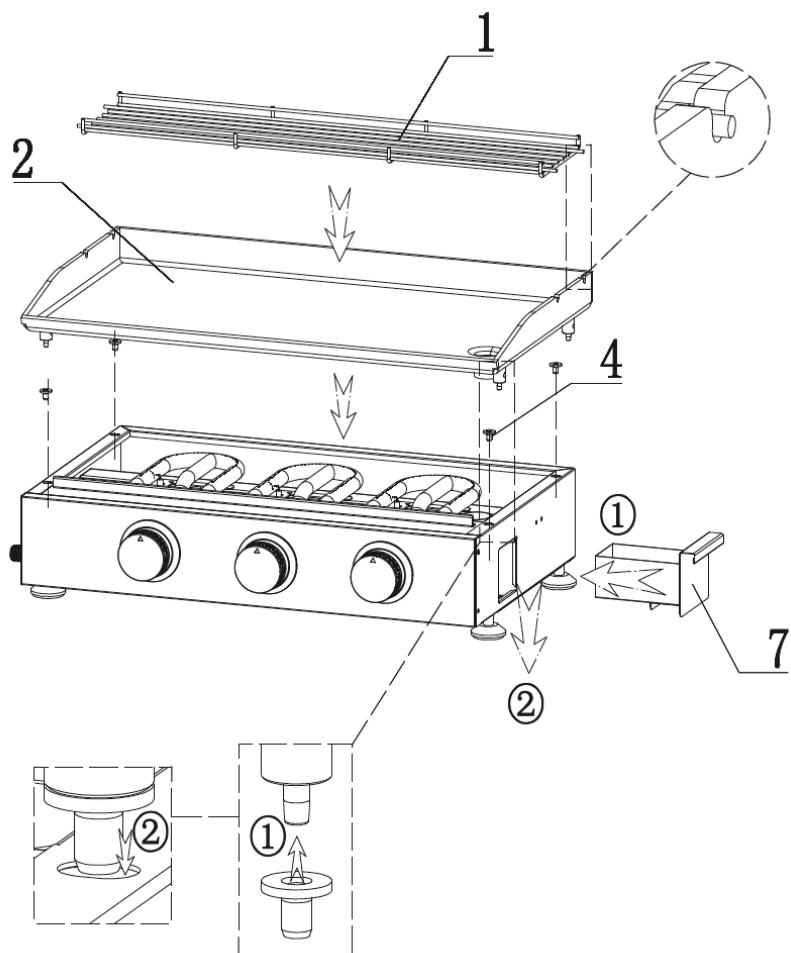
Paso 1:

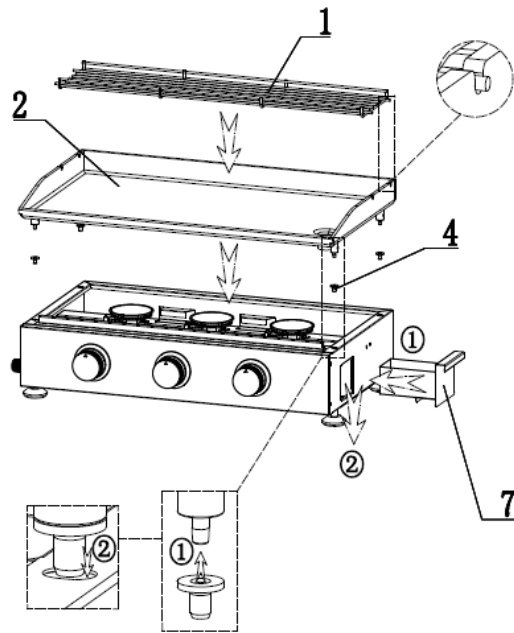


Paso 2:

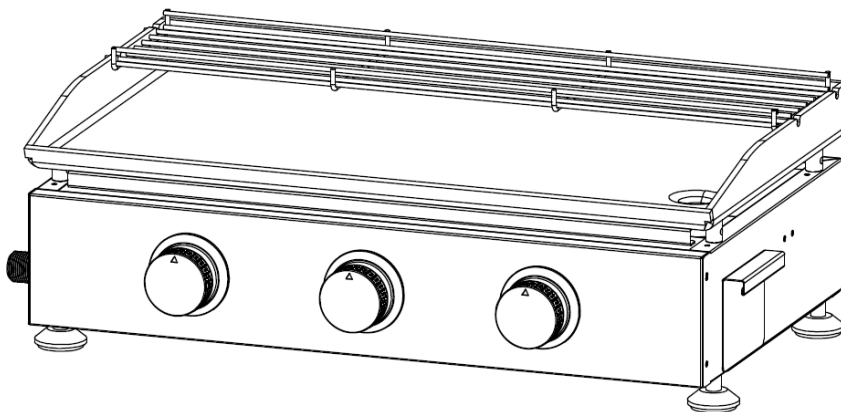


Paso 3:





Paso 4:



INSTRUCCIONES DE USO

Siga estas instrucciones cuidadosamente para evitar dañar seriamente su plancha y/o causar lesiones personales.

1. Monte la plancha siguiendo atentamente las instrucciones de montaje.
2. Conecte la manguera de gas a la plancha. Conecte el regulador a la manguera.
3. Conecte el regulador a la válvula del cilindro siguiendo las instrucciones suministradas con el regulador.
4. Gire todas las perillas de control a la posición "APAGADO" antes de abrir el suministro de gas.
5. Opere el regulador de acuerdo con las instrucciones suministradas con este.

OPERACIÓN

1. Conecte el cilindro de gas a la plancha siguiendo las instrucciones suministradas con el regulador.
2. Gire todas las perillas de control a la posición "APAGADO".
3. Abra el suministro de gas siguiendo las instrucciones de operación y conexión del regulador. Compruebe con agua jabonosa la conexión del cilindro al regulador y la conexión de entrada de la manguera a la plancha para ver si hay fugas. Cualquier fuga se mostrará como burbujas en el área de la fuga. Si encuentra una fuga, no use la plancha. Consulte a su proveedor de gas o plancha para obtener asesoramiento.

4. Para encender el quemador del lado izquierdo, presione hacia abajo y gire la perilla de control del quemador izquierdo en sentido antihorario hasta la posición de 90° (posición de velocidad máxima). Se escuchará un clic audible, esto debería encender el quemador. Compruebe que el quemador esté encendido. Si el quemador no se ha encendido, repita este proceso.
5. Si el quemador no se ha encendido después de dos intentos, cierre la llave de gas y espere 5 minutos antes de volver a intentar.
6. Cuando el quemador se haya encendido, la velocidad del quemador se puede ajustar presionando hacia abajo y girando la perilla en sentido anti horario a cualquier posición entre la posición de velocidad máxima y baja.
7. Encienda los quemadores restantes de izquierda a derecha en secuencia.
8. Para "APAGAR" la plancha, gire la manija de la válvula del cilindro o el interruptor del regulador a la posición "APAGADO" siguiendo las instrucciones del regulador. Una vez que los quemadores se hayan apagado, gire todas las perillas de control a la posición "APAGADO".

Advertencia: Si algún quemador no se enciende, apague la perilla de control (en el sentido de las agujas del reloj) y cierre la válvula del cilindro. Espere cinco minutos e intente encenderlos nuevamente.

Después de cada uso, cierre el suministro de gas apagando el interruptor del regulador o girando la válvula del cilindro.

En caso de que se apague algún quemador mientras el aparato está en uso. Gire todos los controles, la válvula del cilindro y el interruptor del regulador a la posición "APAGADO". Espere 5 minutos antes de intentar encenderlos nuevamente. Si el problema persiste después de volver a encenderlo, consulte a su distribuidor de gas, la tienda donde compró la plancha, o un ingeniero de gas calificado para obtener ayuda o reparación. Nunca intente solucionar el problema usted mismo, ya que podría provocar lesiones graves y/o daños a la propiedad.

Limpie el aparato del exceso de grasa, antes de guardarlo, con un paño húmedo utilizando una solución de detergente suave como agente limpiador.

Guarde el aparato en un ambiente limpio y seco.

No guarde su cilindro de gas en interiores. Almacene en un área bien ventilada lejos de la luz solar directa.

CONEXIÓN DEL CILINDRO DE GAS AL APARATO

Este aparato solo es adecuado para uso con gas butano o propano de baja presión y está equipado con un regulador de baja presión a través de una manguera flexible. La manguera debe asegurarse al regulador y al aparato con tuercas adecuadas. Esta plancha está configurada para operar un regulador de 28 mbar con gas butano, un regulador de 37 mbar con gas propano, un regulador con mezcla de butano/propano a 37 mbar, un regulador con mezcla de butano/propano a 50 mbar y un regulador con mezcla de butano/propano a 30 mbar. Utilice un regulador adecuado certificado según BSEN 16129:2013. Consulte a su distribuidor de GLP para obtener información sobre los reguladores adecuados para el cilindro de gas.

ANTES DE USAR EL APARATO, VERIFIQUE QUE NO HAYA FUGAS.

Nunca use fuego para verificar fugas, siempre use una solución de agua jabonosa.

VERIFICAR FUGAS

Prepare 2-3 onzas de solución para detección de fugas mezclando una parte de detergente líquido con 3 partes de agua.

Asegúrese de que la válvula de control esté "APAGADA".

Conecte el regulador al cilindro y la válvula al quemador, asegúrese de que las conexiones estén seguras y luego encienda el gas.

Cepille la solución jabonosa sobre la manguera y todas las juntas. Si aparecen burbujas, tiene una fuga, que debe rectificarse antes de usar el aparato.

Vuelva a probar después de arreglar la falla. APAGUE el gas después de la prueba.

Si la fuga detectada persiste, consulte a su distribuidor de gas.

En caso de fuga, cierre el suministro de gas.

REGULADOR Y MANGUERA

Los accesorios no se suministran con la plancha. Utilice únicamente reguladores y mangueras aprobados para GLP a las presiones anteriores (consulte la página anterior). La esperanza de vida del regulador es de aproximadamente 10 años. Se recomienda cambiar el regulador dentro de los 10 años posteriores a la fecha de fabricación.

El uso de un regulador o manguera incorrectos no es seguro. Compruebe siempre que dispone de los componentes correctos antes de utilizar la plancha.

La manguera utilizada debe cumplir con la norma pertinente para el país de uso. La longitud de la manguera debe ser de 1,5 metros (máximo). Se debe reemplazar la manguera gastada o dañada. Asegúrese de que la manguera no esté obstruida, doblada o en contacto con cualquier parte de la plancha que no sea su conexión.

La manguera debe cumplir con la norma EN16436.

La manguera no debe quedar torcida cuando se conecte al cilindro de gas.

El tubo flexible de metal o goma, utilizado para conectar el aparato con el cilindro de GLP, debe cambiarse dentro de los intervalos prescritos y de acuerdo con las Normas Nacionales vigentes.

Ninguna parte de la manguera debe tocar ninguna parte del aparato.

ALMACENAMIENTO

El almacenamiento de este aparato en interiores solo está permitido si el cilindro está desconectado y retirado del mismo. Cuando el aparato no se va a utilizar durante un período de tiempo, debe almacenarse en su embalaje original en un ambiente seco y libre de polvo.

CILINDRO DE GAS

El aparato se puede utilizar con cualquier cilindro de gas butano que pese de 4.5 KG a 15 KG y 3.9 KG a 13 KGS de propano. El cilindro de gas no debe dejarse caer ni manipularse con brusquedad. Si el aparato no está en uso, el cilindro debe estar desconectado. Vuelva a colocar la tapa protectora en el cilindro después de desconectar el cilindro del aparato.

Los cilindros deben almacenarse al aire libre en posición vertical y fuera del alcance de los niños. El cilindro nunca debe almacenarse donde las temperaturas puedan superar los 50 °C.

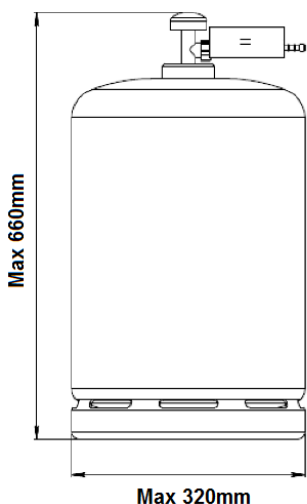
No almacene el cilindro cerca de llamas, luces piloto u otras fuentes de ignición. **NO FUME.**

LIMPIEZA Y MANTENIMIENTO

PRECAUCIÓN: Toda las tareas de limpieza y mantenimiento deben realizarse cuando la plancha esté fría y con el suministro de combustible apagado en el cilindro de gas.

Se recomienda limpiar y dar mantenimiento al aparato al menos una vez al mes.

LIMPIEZA: “Quemar” la plancha después de cada uso (durante aproximadamente 15 minutos) mantendrá el exceso de residuos de comida al mínimo.



1. Después del uso, utilice limón o detergente para limpiar la plancha con un cepillo a tiempo,

2. Realice un buen mantenimiento antioxidante, y utilice aceite antioxidante comestible para recubrir la superficie de la plancha cuando esté inactiva.

3. La temperatura de la plancha de acero inoxidable es muy

alta. Se recomienda cocinar los alimentos a la temperatura adecuada.

SUPERFICIE EXTERIOR: Use un detergente suave o una solución de bicarbonato de sodio y agua caliente. Se puede usar un limpiador en polvo no abrasivo en las manchas rebeldes y luego enjuagar con agua.

NUNCA USE LIMPIADORES DE HORNOS.

INTERIOR DE LA PLANCHA: Quite los residuos con un cepillo, un raspador y/o una almohadilla limpiadora, luego lávelos con una solución de agua y jabón. Enjuague con agua y deje secar.

SUPERFICIES PLÁSTICAS: Lavar con un paño suave y una solución de agua caliente y jabón. Enjuagar con agua. No utilice limpiadores abrasivos, desengrasantes o limpiadores concentrados en las piezas de plástico.

PLANCHA DE COCCIÓN: Utilice una solución de agua con jabón suave. Se puede usar un limpiador en polvo no abrasivo en las manchas rebeldes y luego enjuagar con agua.

DEPÓSITO DE GRASA: No abra el depósito de grasa durante el uso. Compruebe siempre el nivel de aceite y retire cuando esté 1/3 lleno.

Método: Para sacar el depósito de grasa, espere a que se enfríe, colóquelo en línea horizontal y muévalo con el gancho hacia atrás horizontalmente.

LIMPIEZA DEL CONJUNTO DE QUEMADORES:

Apague el gas en la perilla de control y desconecte el cilindro. Retire la plancha de enfriamiento. Limpie el quemador con un cepillo suave o sople con aire comprimido y limpie con un paño. Limpie también cualquier puerto obstruido con un limpiapipas o alambre rígido (puede ser un clip de papel abierto).

Inspeccione el quemador en busca de daños (grietas o agujeros). Si encuentra algún daño, reemplácelo con un quemador nuevo. Reinstale el quemador, verifique que los orificios de la válvula de gas estén correctamente colocados y asegurados dentro de la entrada del quemador (venturi).

En algunos casos, su plancha puede tupirse debido a un insecto que se arrastra dentro del venturi del quemador o una araña que teje su telaraña dentro del quemador. Inserte un cepillo para botellas a través del venturi del quemador y empújelo hacia el interior del quemador. Si la condición persiste, consulte a su distribuidor de gas.

MANTENIMIENTO

Su plancha de gas debe ser revisada anualmente por una persona registrada y autorizada.

GARANTÍA

El periodo de garantía de nuestros productos es de 2 años, salvo que la ley estipule lo contrario, a partir de la fecha de la compra inicial o de la fecha de entrega.

Si tiene algún problema o pregunta, puede acceder fácilmente a nuestras páginas de ayuda, consejos para solucionar problemas, preguntas frecuentes y manuales de usuario en nuestro sitio de servicio: <https://sav.hkoenig.com>.

Al escribir el nombre de referencia de su dispositivo en la barra de búsqueda, puede acceder a toda la asistencia en línea disponible, diseñada para satisfacer mejor sus necesidades.

Si sigue sin encontrar una respuesta a su pregunta o problema, haga clic en "¿La respuesta ha resuelto su problema? Esto le llevará al formulario de solicitud de asistencia posventa, que puede rellenar para validar su solicitud y obtener ayuda.

CONDICIONES DE GARANTÍA

La garantía cubre todos los fallos que se produzcan en el contexto de un uso normal, de acuerdo con los usos y especificaciones del manual de usuario.

Esta garantía no se aplica a los problemas de embalaje o transporte durante el envío del producto por parte del propietario. Tampoco incluye el desgaste normal del producto, ni el mantenimiento o la sustitución de piezas consumibles.

EXCLUSIÓN DE GARANTÍA

- Accesorios y piezas de desgaste (*).
- Mantenimiento normal del aparato.
- Todas las averías derivadas de un uso incorrecto (golpes, incumplimiento de las recomendaciones de alimentación eléctrica, malas condiciones de uso, etc.), de un mantenimiento insuficiente o de un mal uso del aparato, así como del uso de accesorios inadecuados.
- Daños de origen externo: incendio, daños por agua, sobrecarga eléctrica, etc.
- Cualquier equipo que haya sido desmontado, incluso parcialmente, por personas que no estén autorizadas a hacerlo (en particular el usuario).
- Productos cuyo número de serie falte, esté dañado o sea ilegible, lo que no permitiría su identificación.
- Productos sujetos a alquiler, demostración o exposición.

(*) Algunas piezas de su aparato, conocidas como piezas de desgaste o consumibles, se deterioran con el tiempo y la frecuencia de uso de su aparato. Este desgaste es normal, pero puede acentuarse por las malas condiciones de uso o de mantenimiento de su aparato. Por lo tanto, estas piezas no están cubiertas por la garantía.

Los accesorios suministrados con el aparato también están excluidos de la garantía. No se pueden cambiar ni reembolsar. No obstante, algunos accesorios pueden adquirirse directamente en nuestro sitio web: <https://sav.hkoenig.com/>

ATENCIÓN:



No se deshaga de este producto como lo hace con otros productos del hogar. Existe un sistema selectivo de colecta de este producto puesto en marcha por las comunidades, debe de informarse en su ayuntamiento acerca de los lugares en los que puede depositar este producto. De hecho, los productos eléctricos y electrónicos pueden contener sustancias peligrosas que tienen efectos nefastos para el medio ambiente o para la salud humana y deben ser reciclados. El símbolo aquí presente indica que los equipos eléctricos o electrónicos deben de ser cuidadosamente seleccionados, representa un recipiente de basura con ruedas marcado con una X.

Adeva SAS / H.Koenig Europe - 8 rue Marc Seguin, 77290 Mitry-Mory, France
www.hkoenig.com - <https://assistenza.hkoenig.com> - Tél: +33 1 64 67 00 05

ITALIANO

AVVERTIMENTO USARE SOLO ALL'APERTO

Leggi attentamente queste istruzioni e assicurati che la tua plancha sia correttamente installata, assemblata, mantenuta e riparata secondo queste istruzioni. La mancata osservanza di queste istruzioni può provocare gravi lesioni personali e/o danni a cose. In caso di domande relative all'assemblaggio o al funzionamento di questa plancha, consultare il rivenditore, il fornitore, il produttore o l'agente.

Note per l'utente:

"USARE SOLO ALL'APERTO".


"LEGGERE LE ISTRUZIONI PRIMA DI UTILIZZARE L'APPARECCHIO".

"ATTENZIONE: LE PARTI ACCESSIBILI POSSONO ESSERE MOLTO CALDE, TENERE LONTANI I BAMBINI PICCOLI".

"NON MUOVERE L'APPARECCHIO DURANTE LA COTTURA".

"CONSERVARE PER RIFERIMENTO FUTURO".

INFORMAZIONI TECNICHE:

					Pin n.
Nome dispositivo	Plancha a Gas				2531CU-0055
Paese di destinazione	Categorie	Tipo di gas	Pressione (mbar)	Dimensioni iniettore (mm) / Marcatura iniettore	Potenza termica (Hs)
BE, FR, IT, LU, LV, IE, GB, GR, PT, ES, CY, CZ, LT, SK, CH, SI	I3 + (28-30 / 37) <input checked="" type="checkbox"/>	Butano / Propano	28-30 / 37	0.78	7.5kW (546 g / h)
LU, NL, DK, FI, SE, CY, CZ, EE, LT, LV, MT, SK, SI, BG, IS, NO, TR, HR, RO, IT, HU	I3 B / P (30) <input type="checkbox"/>	Miscele di gas butano / propano / GPL	30	0.78	
Utilizzare solo all'aperto.					
Leggere le istruzioni prima di utilizzare l'apparecchio.					
ATTENZIONE: le parti accessibili possono essere molto calde. Tenere lontano i bambini piccoli.					
Non spostare la plancha quando è accesa.					

IMPORTANTE:

Leggi attentamente le seguenti istruzioni e assicurati che la tua plancha sia correttamente installata, assemblata e ben curata. La mancata osservanza di queste istruzioni può provocare gravi lesioni personali e/o danni a cose.

In caso di domande relative all'assemblaggio o al funzionamento, consultare il rivenditore o la società GPL.

L'apparecchio e la bombola devono essere posizionati su una superficie piana e non devono essere spostati mentre sono accesi.

La sostituzione della bombola del gas deve essere effettuata lontano da qualsiasi fiamma accesa.

Si consiglia di utilizzare i guanti protettivi quando si maneggiano componenti particolarmente caldi.

Le parti sigillate dal produttore o dal suo agente non devono essere manipolate dall'utente.

NOTA PER IL CONSUMATORE: Conservare per riferimento futuro.

Leggi attentamente tutte le istruzioni.

Questo apparecchio può essere usato da persone con ridotte capacità fisiche, sensoriali o mentali o con

manca di esperienza o conoscenza, a condizione che siano sorvegliate o istruite sull'uso sicuro dell'apparecchio e che comprendano pienamente i potenziali pericoli.

È necessaria un'attenta supervisione quando un apparecchio viene utilizzato da bambini o in presenza o nelle vicinanze di bambini.

L'apparecchio non deve mai essere lasciato incustodito durante l'uso.

Le superfici possono diventare calde durante l'uso.

Tenere fuori dalla portata di bambini.

Posizionare l'apparecchio su una superficie stabile e asciutta, leggermente lontano dal bordo e a più di 1 m da qualsiasi parete o parti sensibili al calore.

Questo apparecchio è destinato esclusivamente all'uso domestico e all'aperto.

Usare questo prodotto al riparo dal vento.

Non utilizzare l'apparecchio per scopi diversi da quelli per cui è stato progettato.

L'apparecchio non deve essere spostato durante il funzionamento.

L'utilizzo di accessori non consigliati dal produttore dell'apparecchio può danneggiare l'apparecchio e provocare incidenti.

Le parti protette dal produttore o dal suo rappresentante autorizzato non devono essere manipolate dall'utente.

Non toccare le superfici calde.

Non maneggiare l'apparecchio quando è caldo.

Lasciare raffreddare l'apparecchio prima di maneggiarlo o pulirlo.

Non pulire l'apparecchio con un getto d'acqua ad alta o bassa pressione.

Non utilizzare prodotti clorurati per pulire l'acciaio inossidabile.

Questo apparecchio deve essere tenuto lontano da materiali infiammabili.

Se si avverte odore di gas, chiudere tutte le manopole.

Non utilizzare mai un apparecchio che perde.

Qualsiasi modifica all'apparecchio può essere pericolosa.

Non utilizzare un regolatore di pressione regolabile.

La parte inferiore dell'apparecchio deve essere mantenuta ventilata per consentire una buona circolazione dell'aria nella stanza.

Non bloccare i fori di ventilazione nel telaio.

Attenzione: non inserire fogli di alluminio o altri materiali o oggetti tra la piastra e il telaio (area di ventilazione).

Non bloccare i fori di ventilazione nella piastra inferiore sotto il telaio.

In caso di malfunzionamento, l'esame e la riparazione devono essere eseguiti da un tecnico autorizzato.

Attenzione: non utilizzare questo apparecchio con carbone, altri materiali combustibili.

o una fonte di energia diversa da quella a cui è destinata (gas).

Chiudere la valvola del serbatoio del gas dopo l'uso.

Attenzione: non posizionare nessun materiale combustibile entro 1 m dalla plancha.

Quando non viene utilizzata, riporlo in un luogo asciutto.

Si consiglia di conservare l'imballo originale quando si ripone l'apparecchio.

Il vostro apparecchio è stato progettato esclusivamente per un uso domestico. Non è destinato all'uso nelle seguenti situazioni che non sono coperte dalla garanzia:

- in cucine per il personale in negozi, uffici e altri ambienti professionali,
- in ostelli agricoli,
- da ospiti in hotel, motel e altri ambienti residenziali,
- in ambienti tipo bed and breakfast.

USO E CARATTERISTICHE

La plancha è sicura e facile da usare. I gas specificati per l'uso sono butano a 28-30 mbar, propano a 37 mbar, miscele butano/propano a 30 mbar, miscele butano/propano a 37 mbar e miscele butano/propano a 50 mbar. Assicuratevi di utilizzare la plancha alla pressione corretta per la quale l'apparecchio è progettato.

Con un raccoglitore grasso laterale.

Una ventilazione adeguata è vitale per la combustione e l'efficienza delle prestazioni della plancha. Ciò garantirà la sicurezza dell'utente e di altre persone presenti nelle vicinanze dell'area in cui viene utilizzato l'apparecchio. Non utilizzare mai l'apparecchio in un'area chiusa e coperta.

Quando la velocità del vento è superiore a 2 m/s, non utilizzare la plancha del gas rivolta verso il vento.

L'apparecchio è progettato per essere utilizzato esclusivamente all'aperto.

Non modificare l'apparecchio.

Avvertimento! Le parti accessibili possono essere molto calde. Tenere lontano i bambini. Leggere le istruzioni prima di utilizzare l'apparecchio.

Non spostare l'apparecchio durante l'uso.

Spegnere l'apparecchio dalla valvola della bombola del gas o dal regolatore dopo l'uso.

Qualsiasi modifica all'apparecchio può essere pericolosa e può causare lesioni o danni alle cose.

Qualsiasi modifica non autorizzata invaliderà la garanzia su questo apparecchio.

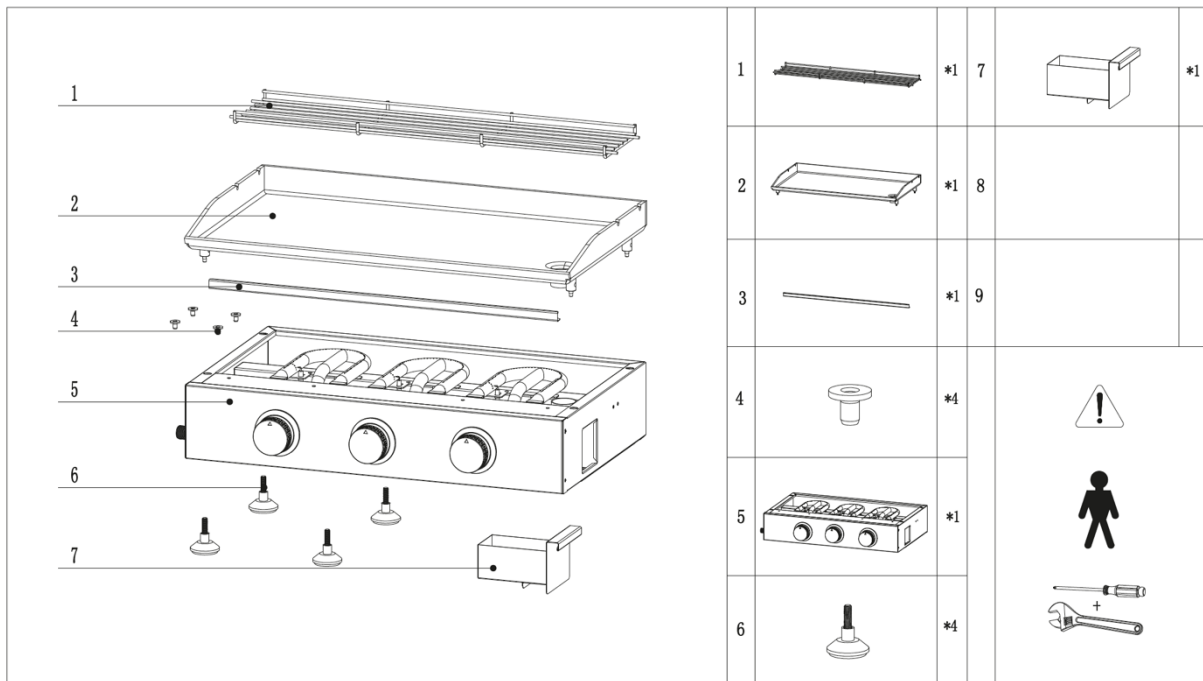
Questo apparecchio deve essere tenuto lontano da materiali infiammabili durante l'uso.

L'apparecchio non deve avere ostruzioni in alto. Ad esempio alberi, arbusti, tetti. L'apparecchio deve essere installato con una distanza di 1 M da altri oggetti.

L'apparecchio non deve essere utilizzato vicino a materiali infiammabili. (Prodotti a base di petrolio, diluenti o qualsiasi altro oggetto solido che rechi un'etichetta di avvertenza infiammabile.)

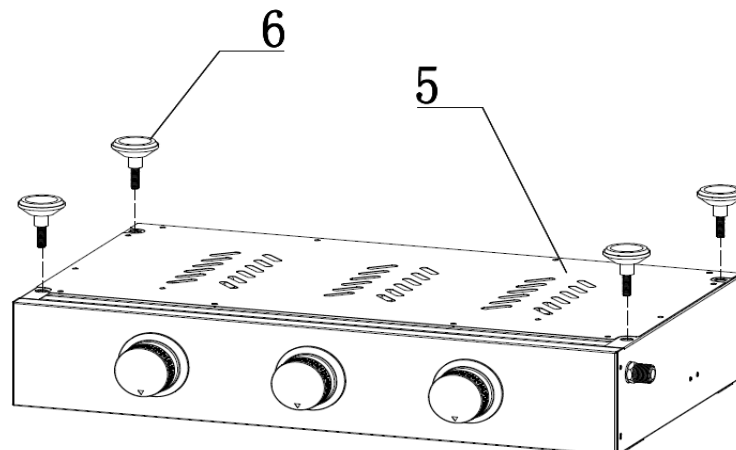
L'uso di questo apparecchio in ambienti chiusi può essere pericoloso ed è **VIETATO**.

Componenti:

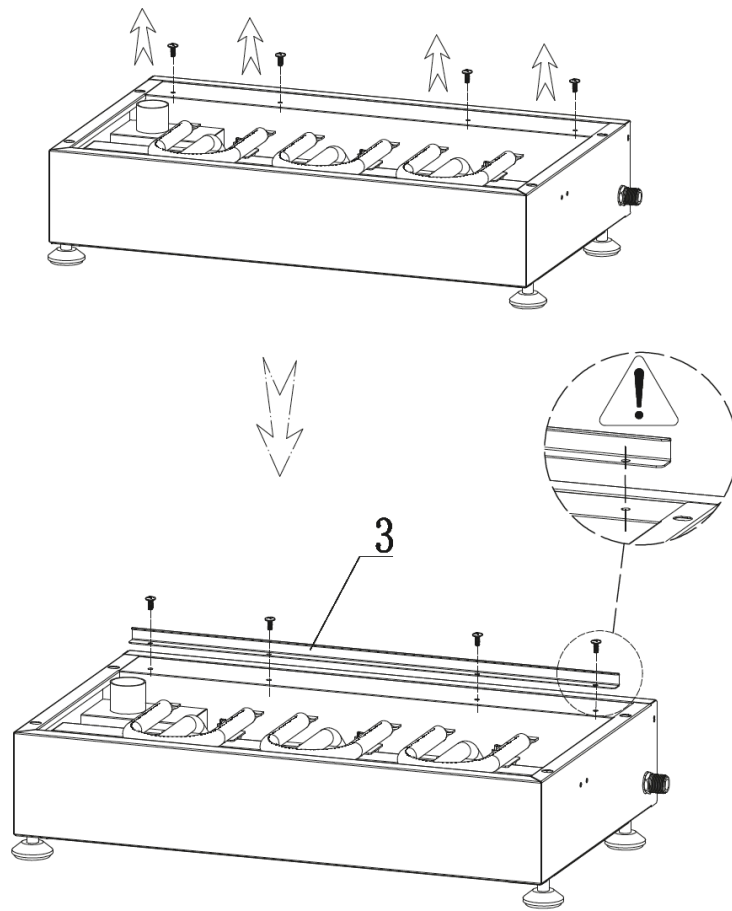


Istruzioni di assemblaggio:

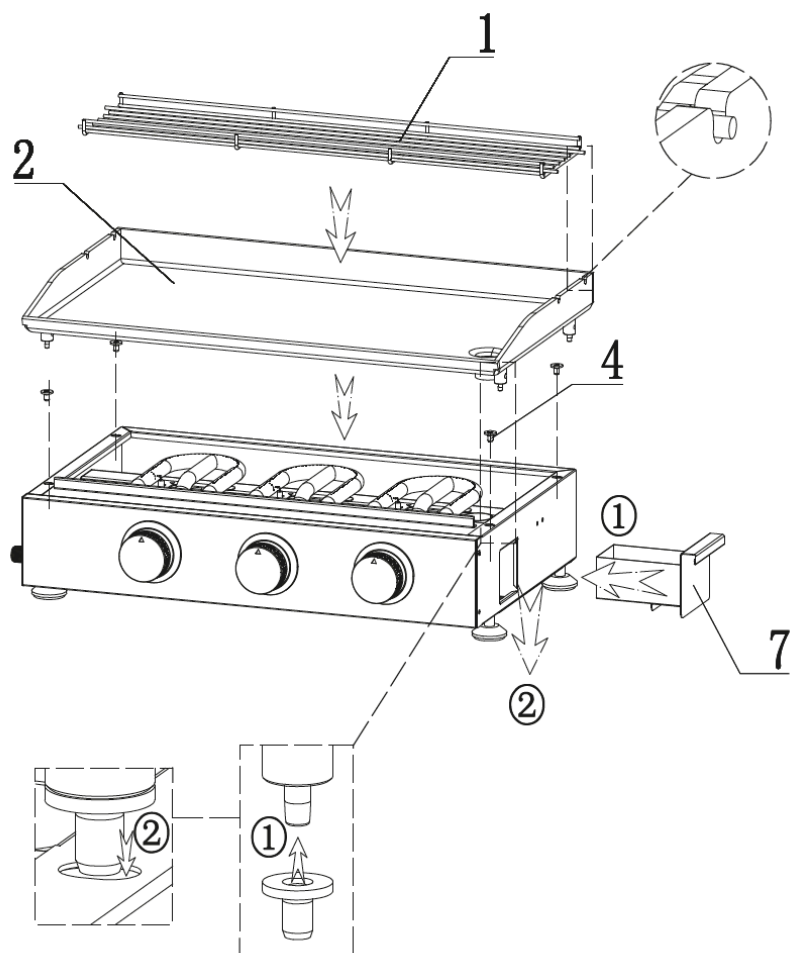
STEP 1



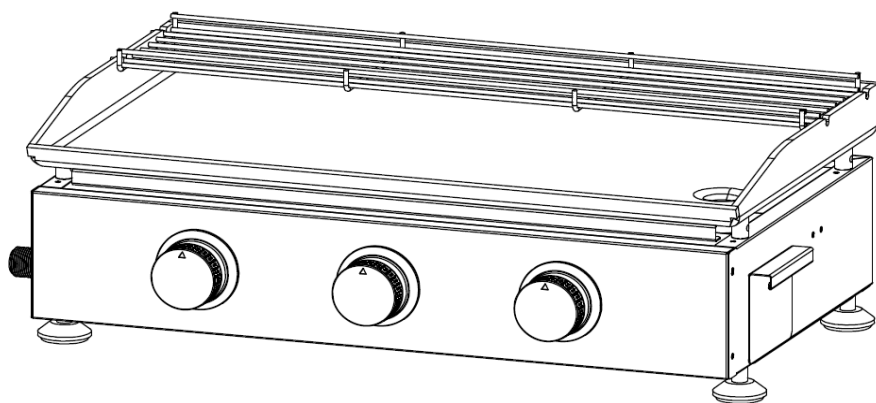
STEP 2



STEP 3



STEP 4



ISTRUZIONI PER L'USO

Segui attentamente queste istruzioni per evitare di danneggiare seriamente la tua plancha e causare lesioni a te stesso e alle cose.

1. Assemblare la plancha seguendo attentamente le istruzioni di montaggio.
2. Collegare il tubo del gas alla plancha. Collegare il regolatore al tubo.

3. Collegare il regolatore alla valvola della bombola seguendo le istruzioni del regolatore fornite con il regolatore.
4. Ruotare tutte le manopole di controllo in posizione "OFF" prima di attivare l'alimentazione del gas all'apparecchio.
5. Azionare il regolatore secondo le istruzioni fornite con il regolatore.

ACCENDERE LA PLANCHA

Istruzioni per l'accensione:

1. Collegare la bombola del gas alla plancha seguendo le istruzioni fornite con il regolatore.
2. Ruotare tutte le manopole di controllo in posizione "OFF".
3. Attivare l'alimentazione del gas alla bombola o all'interruttore del regolatore seguendo il collegamento del regolatore e le istruzioni operative. Controllare la connessione tra la bombola e il regolatore e tra il tubo e il raccordo di ingresso del tubo flessibile della pompa dell'aria per rilevare eventuali perdite utilizzando acqua e sapone. Qualsiasi perdita creerà delle bolle nell'area della perdita. Se viene rilevata una perdita, non utilizzare la plancha. Consultare il proprio fornitore di gas o della plancha per informazioni.
4. Per accendere il bruciatore sinistro, premere verso il basso e ruotare la manopola di comando del bruciatore sinistro in senso antiorario fino alla posizione di 90 ° (posizione di massima portata). Si sentirà un clic udibile, che dovrebbe accendere il bruciatore. Verificare che il bruciatore sia acceso. Se il bruciatore non si è acceso, ripetere questa procedura.
5. Se il bruciatore non si è acceso dopo due tentativi, chiudere il rubinetto del gas e attendere 5 minuti prima di riprovare la sequenza di accensione.
6. Quando il bruciatore è acceso, la velocità del bruciatore può essere regolata premendo verso il basso e ruotando la manopola in senso antiorario in qualsiasi posizione tra la posizione di massima e quella di bassa portata.
7. Accendere i rimanenti bruciatori da sinistra a destra in sequenza.
8. Per spegnere la piastra, ruotare la maniglia della valvola della bombola o l'interruttore del regolatore in posizione "OFF" seguendo le istruzioni del regolatore. Una volta che i bruciatori sono spenti, ruotare tutte le manopole di controllo in posizione "OFF".

Avvertenza: se uno dei bruciatori non si accende, spegnere la manopola di controllo (in senso orario) e chiudere anche la valvola della bombola. Attendere cinque minuti prima di tentare di riaccendere con la sequenza di accensione.

Dopo l'uso, chiudere l'alimentazione del gas spegnendo la manopola presente sul regolatore o spegnendo la valvola della bombola.

In caso di retroaccensione durante l'utilizzo dell'apparecchio. Portare tutti i comandi, la valvola della bombola e l'interruttore del regolatore in posizione "OFF". Attendere 5 minuti prima di tentare di riaccendere l'apparecchiatura. Se il problema persiste dopo la riaccensione, consultare il rivenditore del gas o il negozio in cui è stata acquistata la plancha o un tecnico qualificato per assistenza o riparazione. Non tentare mai di risolvere il problema da soli poiché ciò potrebbe causare lesioni gravi e/o danni alle cose.

Pulire l'apparecchio dal grasso in eccesso, prima di riporlo, con un panno umido utilizzando una soluzione detergente delicata.

Conservare l'apparecchio in un ambiente pulito e asciutto.

Non conservare la bombola del gas al chiuso. Conservare in un'area ben ventilata lontano dalla luce solare diretta.

COLLEGAMENTO DELLA BOMBOLA DEL GAS ALL'APPARECCHIO

Questo apparecchio è adatto solo per l'uso con gas butano o propano a bassa pressione e dotato di regolatore di bassa pressione appropriato tramite un tubo flessibile. Il tubo deve essere fissato al regolatore e all'apparecchio con fascette/dadi. Questa plancha è impostata per azionare un regolatore da 28 mbar con gas butano, un regolatore da 37 mbar con gas propano, un regolatore con miscela butano/propano a 37 mbar, un regolatore con miscela butano/propano a 50 mbar e un regolatore con butano/propano miscela a 30 mbar. Utilizzare un regolatore adatto certificato secondo BSEN 16129: 2013. Consultare il proprio rivenditore di GPL per informazioni su un regolatore adatto per la bombola del gas.

PRIMA DELL'USO VERIFICARE EVENTUALI PERDITE!

Non controllare mai eventuali perdite con una fiamma libera, utilizzare sempre una soluzione di acqua saponata.

PER CONTROLLARE PERDITE

Preparare 60/90 ml di soluzione per il rilevamento delle perdite mescolando una parte di detersivo per piatti con 3 parti di acqua.

Verificare che la valvola di controllo sia su "OFF".

Collegare il regolatore alla bombola e la valvola ON/OFF al bruciatore, assicurarsi che i collegamenti siano saldi, quindi accendere il gas.

Spennellare la soluzione saponata sul tubo e su tutte le articolazioni. Se compaiono delle bolle, si ha una perdita, che deve essere risolta prima dell'uso.

Ripetere il test dopo aver risolto l'errore. Spegnere il gas alla bombola dopo il test.

Se la perdita rilevata non può essere eliminata, non tentare di rimediare alla perdita ma consultare il rivenditore del gas.

In caso di fuga, chiudere l'alimentazione del gas.

REGOLATORE E TUBO

Gli accessori non sono forniti con la piastra. Utilizzare solo regolatori e tubi flessibili approvati per GPL alle pressioni di cui sopra (vedere pagina 2). L'aspettativa di vita del regolatore è stimata a 10 anni. Si consiglia di sostituire il regolatore entro 10 anni dalla data di produzione.

L'uso di un erogatore o di un tubo sbagliato, non è sicuro; controllare sempre di avere gli elementi corretti prima di utilizzare la plancha.

Il tubo flessibile utilizzato deve essere conforme allo standard pertinente per il paese di utilizzo. La lunghezza del tubo deve essere di 1,5 metri (massimo). Se il tubo è usurato o danneggiato deve essere sostituito. Assicurarsi che il tubo non sia ostruito, piegato o in contatto con qualsiasi parte della piastra diversa dal suo collegamento.

Il tubo deve essere conforme alla norma EN16436.

Il tubo non deve essere attorcigliato o piegato quando è fissato alla bombola del gas.

Il tubo flessibile in metallo o gomma, utilizzato per collegare l'apparecchio alla bombola di GPL, deve essere sostituito entro gli intervalli prescritti e secondo le Norme Nazionali in vigore. Nessuna parte del tubo deve entrare in contatto con nessuna parte dell'apparecchio.

CONSERVAZIONE DELL'APPARECCHIO

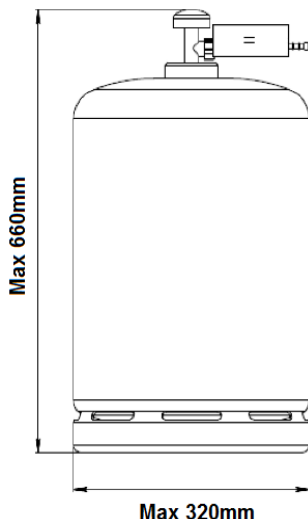
Lo stoccaggio dell'apparecchio al chiuso è consentito solo se la bombola è scollegata e rimossa dall'apparecchio. Quando l'apparecchio non viene utilizzato per un certo periodo di tempo, deve essere conservato nella sua confezione originale in un ambiente asciutto e privo di polvere.

BOMBOLA DEL GAS

L'apparecchio può essere utilizzato con qualsiasi bombola di gas di peso compreso tra 4,5 kg e 15 kg di butano e da 3,9 kg a 13 kg di propano. La bombola del gas non deve essere lasciata cadere o maneggiata in modo approssimativo! Se l'apparecchio non è in uso, la bombola deve essere scollegata. Riposizionare il cappuccio protettivo sulla bombola dopo aver scollegato la bombola dall'apparecchio.

Le bombole devono essere conservate all'aperto in posizione verticale e fuori dalla portata dei bambini. La bombola non deve mai essere immagazzinata dove le temperature possono superare i 50°C.

Non conservare la bombola vicino a fiamme, fari pilota o altre fonti di accensione. **NON FUMARE.**



PULIZIA E CURA

ATTENZIONE: Tutte le operazioni di pulizia e manutenzione devono essere eseguite quando la piastra è fredda e con l'alimentazione del carburante in corrispondenza della bombola del gas, scollegata.

Si raccomanda di pulire ed effettuare la manutenzione l'apparecchio almeno una volta al mese.

PULIZIA

“LASCIARE FUNZIONARE” la plancha dopo ogni utilizzo (per circa 15 minuti) ridurrà al minimo i residui di cibo in eccesso.

1. Dopo l'uso, utilizzare limone o detersivo per pulire la piastra con una spazzola,
2. Fare un buon lavoro di manutenzione antiruggine e utilizzare olio alimentare antiruggine per rivestire la superficie della piastra quando è inattiva.
3. La temperatura della piastra in acciaio inox è molto elevata. Si raccomanda di cuocere i cibi alla giusta temperatura.

SUPERFICIE ESTERNA

Utilizzare un detergente delicato o bicarbonato di sodio e una soluzione di acqua calda. Sulle macchie ostinate è possibile utilizzare polvere non abrasiva, quindi risciacquare con acqua.

NON USARE MAI IL PULITORE PER FORNO.

INTERNO DEL FONDO DELLA PLANCHA

Rimuovere i residui utilizzando una spazzola, un raschietto e/o un tampone di pulizia, quindi lavare con una soluzione di acqua saponata. Risciacquare con acqua e lasciare asciugare.

SUPERFICI IN PLASTICA

Lavare con un panno morbido e una soluzione di acqua saponata calda. Risciacquare con acqua. Non utilizzare detergenti abrasivi, sgrassanti o detergenti per plancha concentrati sulle parti in plastica.

GRIGLIA DI COTTURA

Usare una soluzione di acqua saponata delicata. Sulle macchie ostinate è possibile utilizzare polvere non abrasiva, quindi risciacquare con acqua.

RACCOGLITORE GRASSO

Si prega di non aprire il contenitore del grasso durante l'uso.

Si prega di controllare il contenitore del grasso in tempo e togliere l'olio quando è pieno per 1/3.

Procedimento: dopo che la coppa del grasso si è raffreddata, sollevarla in senso orizzontale e spostarla con il gancio rovesciato in senso orizzontale, per estrarla.

PULIZIA DEL GRUPPO BRUCIATORE

Spegnere il gas tramite la manopola di controllo e scollegare la bombola.

Rimuovere la piastra di raffreddamento.

Pulire il bruciatore con una spazzola morbida o soffiare con aria compressa e strofinare con un panno.

Pulire le porte ostruite con uno scovolino o un filo rigido (come una graffetta aperta).

Ispezionare il bruciatore per eventuali danni (crepe o fori). Se si riscontrano danni, sostituire con un nuovo bruciatore. Reinstallare il bruciatore, verificare che gli orifizi della valvola gas siano correttamente posizionati e fissati all'interno dell'ingresso del bruciatore (venturi).

In alcuni casi la plancha si accenderà con una fiammata a causa di un insetto che striscia all'interno del bruciatore o di un ragno che ha fatto la sua tela all'interno del bruciatore. Questo può essere corretto utilizzando una spazzola per bottiglie inserita attraverso il venturi del bruciatore e spingendola nel bruciatore per tutta la lunghezza del bruciatore. Se la condizione persiste, consultare il rivenditore del gas.

ASSISTENZA

La tua plancha a gas deve essere revisionata annualmente da una persona competente.

GARANZIA

Il periodo di garanzia per i nostri prodotti è di 2 anni, se non diversamente stabilito dalla legge, a partire dalla data di acquisto iniziale o di consegna.

Se avete problemi o domande, potete facilmente accedere alle nostre pagine di aiuto, consigli per la risoluzione dei problemi, FAQ e manuali d'uso sul nostro sito post-vendita:

<https://sav.hkoenig.com>.

Digitando il nome di riferimento del tuo dispositivo nella barra di ricerca, puoi accedere a tutto il supporto online disponibile, progettato per soddisfare al meglio le tue esigenze.

Se ancora non riesci a trovare una risposta alla tua domanda o al tuo problema, allora clicca su "La risposta ha risolto il tuo problema? Questo vi porterà al modulo di richiesta di supporto post-vendita, che potete completare per convalidare la vostra richiesta e ottenere aiuto.

CONDIZIONI DI GARANZIA

La garanzia copre tutti i guasti derivanti da un uso normale, in conformità con gli usi e le specifiche del manuale utente.

Questa garanzia non si applica a problemi di imballaggio o di trasporto durante la spedizione del prodotto da parte del proprietario. Non include inoltre la normale usura del prodotto, né la manutenzione o la sostituzione delle parti di consumo.

ESCLUSIONE DELLA GARANZIA

- Accessori e parti soggette a usura (*).
- Normale manutenzione dell'apparecchio.
- Tutti i guasti derivanti da un uso improprio (urti, mancato rispetto delle raccomandazioni sull'alimentazione, cattive condizioni d'uso, ecc.), da una manutenzione inadeguata o da un uso improprio dell'apparecchio, nonché dall'uso di accessori inadeguati.
- Danni di origine esterna: incendio, danni d'acqua, sovratensione elettrica, ecc.
- Qualsiasi attrezzatura che sia stata smontata, anche parzialmente, da persone diverse da quelle autorizzate a farlo (in particolare l'utente).
- Prodotti per i quali il numero di serie è mancante, danneggiato o illeggibile, il che non permetterebbe la sua identificazione.
- Prodotti soggetti a noleggio, dimostrazione o esposizione.

(*) Alcune parti del suo apparecchio, note come parti soggette a usura o materiali di consumo, si deteriorano con il tempo e la frequenza d'uso del suo apparecchio. Questa usura è normale, ma può essere accentuata da cattive condizioni d'uso o di manutenzione del vostro apparecchio. Queste parti non sono quindi coperte dalla garanzia.

Anche gli accessori forniti con l'apparecchio sono esclusi dalla garanzia. Non possono essere scambiati o rimborsati. Tuttavia, alcuni accessori possono essere acquistati direttamente dal nostro sito web: <https://sav.hkoenig.com/>.

ATTENZIONE :



Non gettare quest' apparecchio tra i rifiuti domestici. Per questo tipo di prodotti è fornito dai comuni un sistema di raccolta e ritiro in zona ed è quindi un dovere informarsi per conoscere il giusto smistamento del rifiuto. Infatti, i prodotti elettrici ed elettronici possono contenere sostanze pericolose che hanno effetti dannosi sull'ambiente o sulla nostra salute e quindi devono essere riciclati. Il simbolo al lato indica che le apparecchiature elettriche ed elettroniche fanno parte di una raccolta selettiva e differenziata (rappresentata da un bidone su due ruote sbarrato da una croce).

Adeva SAS / H.Koenig Europe - 8 rue Marc Seguin, 77290 Mitry-Mory, France
www.hkoenig.com - <https://sac.hkoenig.com/> - Tél: +33 1 64 67 00 05



Points de collecte sur www.quefairedemesdechets.fr
Privilégiez la réparation ou le don de votre appareil !