

HKoenig

icek12

Instruction Manual

Manuel d'instructions
Bedienungsanleitung
Gebruiksaanwijzing
Manual de instrucciones
Manuale d'uso



Ice maker

Machine à glaçons
Eismaschine
Ijs machine
Máquina de hielo
Macchina del ghiaccio



ENGLISH

Read this booklet thoroughly before using and save it for future reference.

IMPORTANT NOTICES:

When using an electrical appliance, basic safety precautions should always be followed to reduce the risk of fire, electric shock, and/or injury, including the following:

1. Read all instructions before using.
2. Remove all packing material and carefully check your ice maker to ensure it is in good condition and that there is no damage to the ice maker or power cord and plug.
3. Before using the Ice maker for the first time, please wait 2 hours after positioning it, and keep the transparent lid open for at least 2 hours
4. Pure water is not allowed to be used on this unit, spring water is recommended.
5. Ensure the voltage is compliant with the voltage range stated on the rating label, and ensure the earthing of the socket is in good condition.
6. If the supply cord is damaged, it must be replaced by the manufacturer or its service agent or a similarly qualified person in order to avoid a hazard.

7. Do not upend this product or incline it over a 45° angle.
8. To protect against risk of electric shock, do not pour water on cord, plug and ventilation, immerse the appliance in water or any other liquid.
9. Unplug the appliance after using or before cleaning.
10. Keep the appliance 8cm from other objects to ensure the good heat releasing.
11. Do not use the accessories which are not recommended by Manufacturer.
12. This appliance may be used by persons with reduced physical, sensory or mental capabilities or lack of experience or knowledge, provided that they are supervised or instructed in the safe use of the appliance and that they fully understand the potential hazards.
13. Do not use the appliance close by flames, hot plates or stoves.
14. Do not switch on the power button frequently (ensure 5min. interval at least) to avoid the damage of compressor.
15. Metal sheet or other electric objects are not allowed to be inserted into the appliance to avoid fire and short circuit.
16. Do not use outdoors.
17. Never clean with scouring powders or hard implements.
18. Please keep the instruction manual.

19. Warning: Do not store explosive substances such as aerosol cans with a flammable propellant in this appliance.

20. This appliance is intended for use in domestic and similar applications such as

- kitchen areas in shops, offices and other working environments
- farmhouses
- in hotels, motels and other residential environments
- guest rooms.

21. The refrigerant and insulation blowing gas is flammable, when disposing of the appliance, do so only at an authorized waste disposal centre. Do not expose to flame.

22. The device must not be used if it has been dropped, its obvious signs of damage are visible or if it has leaks.

23. This appliance may be used by children of at least 8 years of age, as long as they are supervised and have been given instructions about using the appliance safely and are fully aware of the dangers involved.

24. Cleaning and maintenance should not be carried out by children unless they are at least 8 years of age and are supervised by an adult.

25. Keep the appliance and its power cord out of reach of children under 8 years of age.

26. When using electrical equipment, safety precautions must always be taken to prevent the risk of fire, electric shock and/or injury in the event of misuse.

27. Make sure that the voltage rating on the typeplate corresponds to your main voltage of your installation.

If this is not the case, contact the dealer and do not connect the unit

28. Never leave the unit unattended while in operation.



Is fire warning sign. Caution risk of fire.

SPECIFICATIONS:

Daily Ice Output: 12kg / 24 hours	Voltage: 220-240V AC
Ice Sizes: small – large	Frequency: 50 Hz
Ice Storage Capacity: 600 g	Power Consumption: 120 W
Refrigerant: R600a (21g)	Climate Type: N/SN

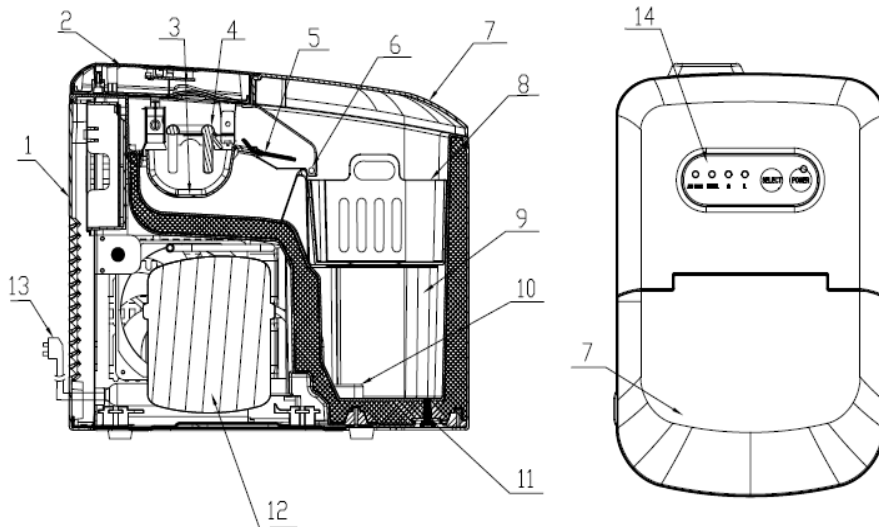
Water Reservoir Capacity: 2.1 L

Program L (large ice cubes) = ice released every 9 min

Program S (small ice cubes) = ice released every 8 minutes

It is best to use cold water

DESCRIPTION:



- | | |
|------------------------|----------------------|
| 1. Rear Cover | 8. Ice Basket |
| 2. Top Cover | 9. Water Reservoir |
| 3. Water Tray | 10. Filter |
| 4. Evaporator | 11. Water Drain Plug |
| 5. Ice Shovel | 12. Compressor |
| 6. Ice-Bin-Full Sensor | 13. Power Cord |
| 7. Transparent lid | 14. Control panel |

CONTROL PANEL OPERATION:



SELECT The indicator of POWER will flash after plugged in, and then the machine enters standby state. It will start to work by pressing POWER button, accompanying indicator lighting. During operation, pressing this button, the machine will return to standby state.

POWER This button is for selecting the size of ice. The default setting is large ice, if the small one is needed, pressing this button is available. When you select the desired size, corresponding indicator of **S** (small) or **L** (large) will be on.

Press and hold "SELECT" button for 3 seconds to activate pipeline self-clean process, which takes "pump water in for 30 seconds---water tank run to drain out water" as a circle, and this circle will run for 5 times. Flashing of indicators of "S" and "L" will take place in turn until self-clean process is over and the machine enters standby mode. Take away the plastic plug to drain water and then whole process is finished.

ADD WATER When the indicator of this button turns to red, it means insufficient water to water reservoir, you need to add enough water and press POWER button to restart the machine.



ICE FULL

When the ice reach to the max storage capacity, the indicator of this button will flash, and the machine will stop working. What you need to do is pouring out the ice, if the position of ice is lower than the position of ice bin full sensor, the machine will restart automatically.

OPERATING INSTRUCTIONS:

Note: Water reservoir and pipeline should be well cleaned before use.

Step 1. Plug out, and clean the water reservoir by adding water, then take plastic plug away to drain out the water from water reservoir.

Step 2. Reinstall the plastic plug, and add appropriate clean water. After connecting the power supply well, press and hold "SELECT" button for 3 seconds to activate pipeline self-clean process. After cleaning, drain out the water by taking plastic plug away.

Step 3. Open the lid and take out the ice basket to add appropriate water into water reservoir.

Note: The water poured into water reservoir should be lower than the water reservoir's MAX position. When water volume goes beyond the max, please open the bottom water drain plug to drain the spare water out. Then close the transparent lid.

Step 4. Select the desired ice size, the default size of machine is large one.

Note: Please select the (S) when ambient temperature is below 15°C. When the ambient temperature is higher than 30°C, Large ice cube sizes are recommended.

Note: For the first three cycles, the ice may be small and irregular in size.

Note: When the ice collecting tray is full please remove the ice immediately, Do not allow the ice collecting tray to overflow.

CLEANING & USE GUIDANCE:

1. Clean the inner liner, ice collecting tray, water box, ice shovel and evaporator frequently. When cleaning, unplug the unit and remove the ice cubes. Use a diluted solution of water and vinegar to clean the inside and the outside surface of the Ice maker. Do not spray Ice maker with chemicals or diluted agents such as acids, gasoline or oil. Rinse thoroughly before starting.

2. Keep ventilation openings in the appliance enclosure, or in the built-in structure, clear of obstruction. Do not use

mechanical devices or other means to accelerate the defrosting process, other than those recommended by the manufacturer.

3. Reuse the machine after being idled for a period of time, it may not have enough water to pump for air retard, and the indicator of “ADD WATER” will keep lighting. At this time, you just need to press POWER button again, the machine can enter normal state.

4. To ensure the cleanness of ice, please change water for water reservoir at least once one day. If do not use for a long time, please drain the water out and clean it up.

5. If the compressor takes a strike action for shortage water, fully water or interruption of power supply, it will delay for 3mins to start up after restarted.

6. Always use fresh water before starting ice production either at initial installation or after a long shut-off period.

TROUBLESHOOTING:

- 1. Please note, if a power failure occurs due to disconnection of the power cord, or the power button has been pushed off during an ice making cycle, small ice chips may formed and lodge in the automatic shovel causing it to jam. If this occurs, the ice chips may be removed by disconnecting the power cord and gently pushing the shovel to the rear of the cabinet and removing the ice chips, then restarting.
- 2. Please check if the water reservoir is flat when the ice shovel can not remove the ice to ice basket. If not, please push the ice shovel gently by finger, then press POWER button to restart.

PROBLEM	POSSIBLE CAUSE	SUGGESTED SOLUTIONS
The compressor works abnormally with a Buzzing Noise	The voltage is lower than recommended	Stop the Ice maker and do not restart until the voltage is normal.

Water shortage indicator light is on	1. There is no water 2. The pump is full of air	1. Add to some water until it reaches MAX position 2. Press POWER button to restart
Indicator lights on display are not on	Blown fuse/ No power	Replace fuse / Turn power on
The Ice made is too large and with pieces sticking together.	1. water temperature is too low 2. Ice of previous cycles left in the water tray	1. Select small size 2. Take out the ice under the standby state
All indicators twinkle simultaneously	Water tray is blocked by ice cube	Unplug the power to take out the ice which blocking the tray, then plug the power and press the POWER button, the machine will restart 3mins later.

WARNING

Fill with potable water only.

It is normal for the compressor and condenser surface to reach temperatures between 70°C and 90°C during operation and surrounding areas may be very hot.

Due to fast freezing, ice cubes may appear “Cloudy”. This is air trapped in the water and will not affect quality or taste of ice. Do not immerse in water.

Warning –keep ventilation openings, in the appliance enclosure or in the built-in structure clear of obstruction.

Warning – do not use mechanical devices or other means to accelerate to defrosting process, other than those recommended by the manufacturer.

Warning – do not damage the refrigerant circuit.

Warning – do not use electrical appliance inside the food storage compartments of the appliance, unless they are of the type recommended by the manufacture.

WARRANTY

The warranty period for our products is 2 years, unless otherwise stated, starting from the date of initial purchase or the date of delivery.

If you have any problems or questions, you can easily access our help pages, troubleshooting tips, FAQ, and user manuals on our service site: <https://sav.hkoenig.com>.

By typing the reference name of your device in the search bar, you can access all available online support, designed to best meet your needs.

If you still cannot find an answer to your question or problem, then click on “Did the answer solve your problem?”. This will direct you to the Customer Support Request Form, which you can fill out to validate your request and get help.

WARRANTY CONDITIONS

The warranty covers all failures occurring under normal use, in accordance with the usage and specifications in the user's manual.

This warranty does not apply to packaging or transportation problems during shipment of the product

by the owner. It also does not include normal wear and tear of the product, nor maintenance or replacement of consumable parts.

EXCLUSION OF WARRANTY

- Accessories and wearing parts (*).
- Normal maintenance of the device.
- All breakdowns resulting from improper use (shocks, failure to comply with power supply recommendations, poor conditions of use, etc.), insufficient maintenance or misuse of the device, as well as the use of unsuitable accessories.
- Damage of external origin: fire, water damage, electrical surge, etc.
- Any equipment that has been disassembled, even partially, by persons other than those authorized to do so (notably the user).
- The products whose serial number would be missing, deteriorated or illegible that would not allow its identification.
- The products subjected to leasing, demonstration, or exhibition.

(*) Some parts of your device, called wear parts or consumables, deteriorate with time and frequency of use of your device. This wear and tear are normal but can be accentuated by poor conditions of use or maintenance of your device. These parts are therefore not covered by the warranty. The accessories supplied with the device are also excluded from the warranty. They cannot be exchanged or refunded. However, some accessories can be purchased directly through our website: <https://sav.hkoenig.com/>.

ENVIRONMENT

CAUTION:



Do not dispose of this product as it has with other household products. There is a separation of this waste product into communities, you will need to inform your local authorities about the places where you can return this product. In fact, electrical and electronic products contain hazardous substances that have harmful effects on the environment or human health and should be recycled. The symbol here indicates that electrical and electronic equipment should be chosen carefully, a wheeled waste container is marked with a cross.

Adeva SAS / H.Koenig Europe - 8 rue Marc Seguin, 77290 Mitry-Mory, France
www.hkoenig.com - <https://en.hkoenig.com> - Tél: +33 1 64 67 00 05

FRANÇAIS

Lisez ce livret attentivement avant d'utiliser l'appareil, puis rangez-le dans un endroit sûr pour l'utiliser plus tard.

PRECAUTIONS IMPORTANTES:

Lorsque vous utilisez des appareils électroménagers, vous devez toujours prendre certaines précautions, afin d'éviter les accidents, les chocs électriques et/ou les blessures. En voici quelques-unes :

1. Lisez toutes les instructions avant d'utiliser la machine à glaçons
2. Enlevez tous les emballages et vérifiez si votre machine à glaçons est en bon état, s'il n'a pas été endommagé ou s'il n'y a aucun problème avec le cordon d'alimentation et la prise.
3. Avant d'utiliser la machine à glaçons pour la première fois, veuillez attendre 2 heures après l'avoir mis en place, et ne refermez pas le couvercle transparent pendant au moins 2 heures.
4. Vous ne devez pas utiliser d'eau pure dans cet appareil, mais plutôt de l'eau de source.
5. La tension de l'appareil doit être en concordance avec la gamme de tension qui est spécifiée sur l'étiquette, et la mise à la terre de la prise doit également être en bon état.

6. Si le cordon d'alimentation est endommagé, il doit être remplacé par le fabricant ou par une personne qualifiée, afin d'éviter les accidents.

7. Cet appareil ne doit pas être renversé, ou incliné à un angle de 45°.

8. Afin d'éviter d'être électrocuté, ne versez pas d'eau sur le cordon d'alimentation, la prise ou le système de ventilation. Il ne faut pas non plus plonger l'appareil dans l'eau ou dans tout autre liquide.

9. Débranchez l'appareil lorsqu'il n'est pas utilisé ou lorsque vous voulez le nettoyer.

10. L'appareil ne doit pas se trouver à côté d'autres objets, afin de permettre à la chaleur de circuler librement.

11. N'utilisez pas des accessoires qui ne sont pas recommandés par le fabricant.

12. Cet appareil peut être utilisé par des personnes dont les capacités physiques, sensorielles ou mentales sont réduites ou dont l'expérience ou les connaissances ne sont pas suffisantes, à condition qu'elles bénéficient d'une surveillance ou qu'elles aient reçu des instructions quant à l'utilisation de l'appareil en toute sécurité et qu'elles en comprennent bien les dangers potentiels.

13. N'utilisez pas l'appareil près du feu, des plaques chauffantes ou du four.

14. N'allumez pas fréquemment le bouton d'alimentation (laissez au moins un intervalle de 5 minutes), afin de ne pas endommager le compresseur.

15. N'insérez pas des feuilles de métal ou d'autres objets électriques dans l'appareil, car cela peut déclencher un incendie ou un court-circuit.

16. Ne l'utilisez pas à l'extérieur

17. Ne le nettoyez jamais avec des produits abrasifs ou des instruments durs.

18. Veuillez conserver le manuel d'instructions.

19. Avertissement: Ne rangez pas des substances explosives (telles que des aérosols avec des propulseurs inflammables) dans cet appareil.

20. Cet appareil est destiné à être utilisé dans des applications domestiques et similaires telles que :

- les zones de cuisine dans les magasins, les bureaux et autres environnements de travail
- les fermes
- dans les hôtels, les motels et autres environnements de type résidentiel
- les chambres d'hôtes.

21. Le réfrigérant et le gaz insulaire sont inflammables et ainsi, lorsque vous décidez de vous débarrasser de l'appareil, il doit être laissé dans un site agréé d'élimination

de déchets, et il ne doit pas être exposé aux flammes.

22. L'appareil ne doit pas être utilisé s'il a chuté, s'il y a des signes visibles de dommages ou en cas de fuite

23. Cet appareil peut être utilisé par des enfants âgés d'au moins 8 ans, à condition qu'ils bénéficient d'une surveillance ou qu'ils aient reçu des instructions quant à l'utilisation de l'appareil en toute sécurité et qu'ils comprennent bien les dangers encourus.

24. Le nettoyage et l'entretien par l'utilisateur ne doivent pas être effectués par des enfants, à moins qu'ils ne soient âgés de plus de 8ans et qu'ils soient sous la surveillance d'un adulte.

25. Conserver l'appareil et son câble hors de portée des enfants âgés de moins 8ans.

26. Lors de l'utilisation d'appareils électriques, des précautions de sécurité doivent toujours être prises pour prévenir tout risque d'incendie, de choc électrique et/ou de blessure en cas de mauvaise utilisation.

27. Vérifier que le voltage indiqué sur la plaque signalétique de l'appareil correspond bien à celui de votre installation électrique. Si ce n'est pas le cas, adressez-vous au revendeur et ne branchez pas l'appareil

28. Ne jamais laisser l'appareil sans surveillance lorsqu'il est en fonctionnement.



Ceci est le signe d'avertissement contre les incendies.
Prenez garde à ce que votre appareil ne prenne pas feu.

SPECIFICATIONS:

La Production Quotidienne De Glace: 12kg /
24 heures

La Taille Des Glaçons: petit - grand

La Capacité du Rangement Des Glaçons: 600
g

Le Réfrigérant: R600a (21g)

La Capacité du Réservoir D'Eau: 2.1 L

La Tension: 220-240V AC

La Fréquence: 50 Hz

La Consommation D'Électricité: 120 W

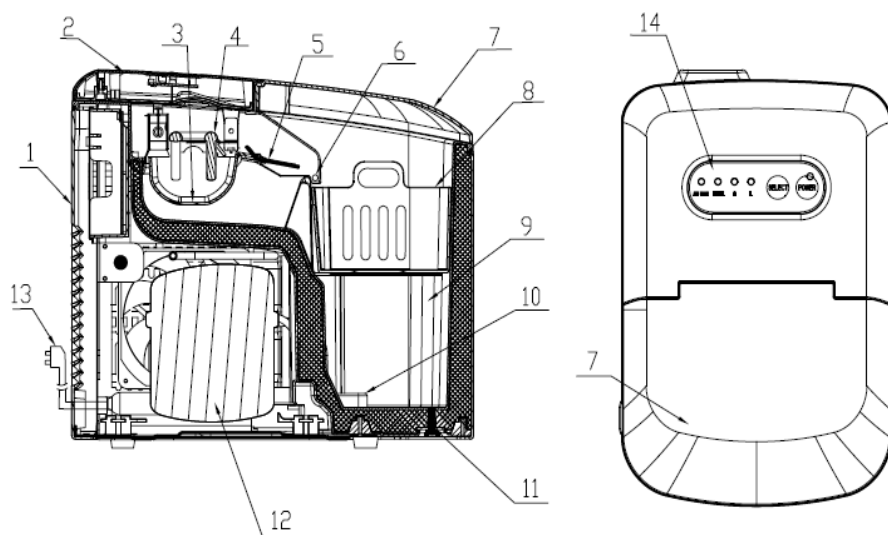
Le Type De Climat: N/SN

Programme L (grands glaçons) = glace libérée toutes les 9 min

Programme S (petits glaçons) = glace libérée toutes les 8 min

Il est préférable d'utiliser de l'eau froide

LA DESCRIPTION :



1. Le couvercle avant

2. Le couvercle arrière

3. Le bac de récupération d'eau

4. L'évaporateur

5. La pelle à glaçons

6. Le détecteur qui indique que le bac à glaçons
est plein.

7. Le couvercle transparent

8. Le panier à glaçons

9. Le réservoir d'eau

10. Le filtre

11. La prise pour l'évacuation d'eau

12. Le compresseur

13. Le cordon d'alimentation

14. Le panneau de contrôle

L'OPERATION DU PANNEAU DE CONTROLE :



Lorsque la machine est branchée, le témoin lumineux du bouton ALIMENTATION clignote et l'appareil est en mode veille. Si vous appuyez sur le bouton ALIMENTATION, la machine à glaçons fonctionnera de nouveau et le témoin lumineux clignotera. Si vous pressez le bouton de nouveaux, la machine se remettra en mode veille.



Ce bouton sert à sélectionner la taille des glaçons, car la machine en fabrique automatiquement ceux qui sont gros. Si vous avez besoin de petits glaçons, vous pouvez sélectionner cette option. Lorsque vous choisissez la taille désirée, la lumière correspondante du bouton **S** (petit) au **L** (large) sera allumée.

Appuyez sur le bouton "SÉLECTIONNER" pendant 3 secondes, afin d'activer le nettoyage automatique du pipeline ; cette dernière "pompe de l'eau pendant 30 secondes, le réservoir d'eau s'active ensuite pour évacuer l'eau", et ce processus se déroule en 5 cycles. Les témoins lumineux de "S" et de "L" clignotent en alternance, jusqu'à ce que le nettoyage automatique soit terminé et que la machine soit en mode veille. Enlevez la bonde en plastique afin d'évacuer l'eau, et le processus sera ensuite terminé.



Lorsque la lumière de ce bouton vire au rouge, cela signifie que le réservoir ne contient pas suffisamment d'eau. Dans ce cas, il vous suffit d'ajouter de l'eau et d'appuyer sur le bouton ALIMENTATION pour redémarrer la machine.

ADD WATER



Lorsqu'il n'y a plus de place pour ranger les glaçons, la lumière de ce bouton clignotera et la machine cessera de fonctionner. Dans ce cas, il vous suffit d'enlever les glaçons ; si le bac à glaçons n'en contient pas trop, la machine redémarrera automatiquement.

ICE FULL

LE MODE D'EMPLOI :

Note: Le réservoir d'eau et le pipeline doivent être nettoyés correctement avant l'utilisation.

Étape 1 : débranchez le réservoir d'eau et nettoyez-le en y ajoutant de l'eau, puis enlevez la bonde en plastique pour évacuer l'eau du réservoir.

Étape 2. Réinstallez la bonde en plastique et remettez de l'eau propre. Après avoir connecté l'alimentation électrique, appuyez sur le bouton "SÉLECTIONNER" pendant 3 secondes, afin d'activer le nettoyage automatique du pipeline. Après le nettoyage, enlevez la bonde en plastique afin d'évacuer l'eau.

Étape 3 : soulevez le couvercle et enlevez le panier à glaçons, afin d'ajouter la quantité d'eau requise dans le réservoir.

Note: la quantité d'eau qui se trouve dans le réservoir doit être au-dessous du niveau MAXIMUM. Lorsque la quantité d'eau dépasse ce niveau, veuillez enlever le bouchon de vidange afin d'enlever l'excès d'eau et ensuite, refermez le couvercle transparent.

Étape 4 : sélectionnez la taille de glaçons que vous désirez, car la machine en fabrique automatiquement ceux qui sont larges.

Note: veuillez sélectionner le bouton (S) lorsque la température ambiante est au-dessous de 15°C. Par contre, lorsque la température est au-dessus de 30°C, il est recommandé de choisir des glaçons qui sont plus larges.

Note: durant les trois premiers cycles, les glaçons risquent d'être petits et de forme irrégulière.

Note: lorsque le bac à glaçons est rempli, veuillez enlever immédiatement les glaçons. N'oubliez pas que le bac à glaçons ne doit pas être trop rempli.

CONSEILS D'UTILISATION ET DE NETTOYAGE :

1. Nettoyez fréquemment la protection intérieure, le bac à glaçons, le bac à eau, la pelle à glaçons et l'évaporateur. Lors du nettoyage, débranchez la machine et enlevez les glaçons. Utilisez une solution diluée, composée d'eau et de vinaigre, afin de nettoyer les surfaces intérieures et extérieures de la machine à glaçons. Ne vaporisez pas l'appareil avec des produits chimiques ou des agents dilués tels que les acides, l'essence ou l'huile. N'oubliez pas de rincer la machine soigneusement avant de l'utiliser.

2. Les orifices de ventilation de l'appareil ou de la structure ne doivent pas être obstrués. N'utilisez pas des dispositifs mécaniques ou d'autres moyens pour accélérer le processus de dégivrage, sauf s'ils sont recommandés par le fabricant.

3. Si vous réutilisez la machine après un certain temps, elle risque de ne pas contenir suffisamment d'eau pour pouvoir pomper de l'air, et le témoin lumineux "AJOUTER DE L'EAU"

continuera à s'illuminer. Dans ce cas, il vous suffit de rallumer le bouton ALIMENTATION, et la machine pourra redémarrer normalement.

4. Afin d'assurer la propreté des glaçons, veuillez changer l'eau du réservoir au moins une fois par jour. Si vous n'utilisez pas la machine à glaçons pendant longtemps, veuillez évacuer l'eau et nettoyer l'appareil.

5. Si le compresseur ne fonctionne plus car il n'y a pas suffisamment d'eau, ou trop d'eau, ou si le cycle est interrompu, il mettra 3minutes avant de redémarrer.

6. Avant de commencer la production de glaçons, utilisez toujours de l'eau fraîche au tout début, ou si l'appareil n'a pas été utilisé depuis longtemps.

LES MESURES DE DEPANNAGE :

1. S'il y a une panne d'électricité suite au débranchement du cordon d'alimentation ou si le bouton d'alimentation a été éteint pendant la fabrication de glaçons, de petits morceaux de glace sont parfois formés et se nichent dans l'appel automatique, et ceci cause un blocage. Si cela se produit, vous pouvez enlever les petits morceaux de glace en débranchant le cordon d'alimentation et en poussant légèrement la pelle vers l'arrière de l'enclos et ensuite, vous pouvez relancer la machine.
2. Si la pelle n'arrive pas à enlever les glaçons du panier, veuillez vérifier si le réservoir d'eau est à plat. Si ce n'est pas le cas, poussez légèrement la pelle à glaçons, et appuyez sur le bouton ALIMENTATION pour relancer la machine.

LE PROBLÈME	LA CAUSE PROBABLE	LES SOLUTIONS SUGGÉRÉES
Le compresseur fonctionne anormalement et émet un bourdonnement	La tension est plus basse que celle qui recommandée.	Arrêtez la machine à glaçons et ne la remettez pas en marche, jusqu'à ce que la tension se soit normalisée.
Le témoin lumineux indique que l'appareil ne contient pas suffisamment d'eau.	1. Il n'y a pas d'eau 2. La pompe est pleine d'air	1. Ajoutez de l'eau, jusqu'à ce qu'elle atteigne le niveau MAXIMUM 2. Appuyez sur le bouton ALLUMER, afin de remettre la machine en marche.
Les témoins lumineux qui sont sur le panneau ne s'allument pas.	Fusible grillé/ Pas de tension	Remplacez le fusible / Mettez l'appareil en marche
Les glaçons sont trop larges et sont collés les uns aux autres.	1. La température de l'eau est trop basse 2. Les glaçons des cycles précédents sont encore dans le bac de récupération d'eau.	1. Sélectionnez une plus petite taille 2. Enlevez la glace qui se trouve dans le bac

AVERTISSEMENT

L'appareil ne doit être rempli qu'avec de l'eau potable.

C'est normal que les surfaces du condensateur et du compresseur atteignent une température entre 70°C à 90°C pendant l'opération, et les endroits avoisinants risquent également d'être très chauds.

Étant donné que les glaçons gèlent rapidement, ils ont parfois une apparence "trouble" car il y a de l'air dans l'eau ; toutefois, ceci n'affecte pas la qualité et le goût des glaçons.

L'appareil ne doit pas être plongé dans l'eau.

Avertissement – les orifices de ventilation de l'appareil ou de la structure ne doivent pas être obstrués.

Avertissement – n'utilisez pas des dispositifs mécaniques ou d'autres moyens pour accélérer le processus de dégivrage, sauf s'ils sont recommandés par le fabricant.

Avertissement – n'endommagez pas le circuit réfrigérant.

Avertissement – n'utilisez pas d'appareils électroménagers dans le compartiment de la machine à glaçons qui sert à ranger les aliments, sauf s'ils sont recommandés par le fabricant.

GARANTIE

La durée de garantie de nos produits est de 2 ans, sauf décret en vigueur, à compter de la date d'achat initiale ou la date de livraison.

En cas de problèmes ou d'interrogations, vous pouvez facilement accéder à nos pages d'aides, conseils de dépannage, FAQ et modes d'emplois sur notre site SAV : <https://sav.hkoenig.com>.

En tapant le nom de référence de votre appareil dans la barre de recherche, vous accédez à tous les supports en ligne disponibles, conçus pour vous répondre au mieux à vos besoins.

Si vous ne trouvez toujours pas de réponse à votre question ou votre problème, alors cliquez sur « Est-ce que la réponse a résolu votre problème ? ». Vous accéderez alors au formulaire de demande d'assistance SAV, qu'il vous suffira de compléter pour valider votre demande et obtenir de l'aide.

CONDITIONS DE GARANTIE

La garantie couvre l'ensemble des pannes survenant dans le cadre d'une utilisation normale, conforme aux usages et spécifications présentes sur le manuel d'utilisation.

Cette garantie ne s'applique pas aux problèmes d'emballage ou de transport pendant l'expédition du produit par son propriétaire. Elle n'inclut également pas l'usure normale du produit, ni la maintenance ou le remplacement de pièces consommables.

EXCLUSION DE GARANTIE

- Les accessoires et les pièces d'usure (*).
- L'entretien normal de l'appareil.
- Toutes pannes survenant par suite d'une mauvaise utilisation (chocs, non-respect des préconisations d'alimentation électrique, mauvaises conditions d'utilisation, etc.), d'un entretien insuffisant ou d'un détournement de fonction de l'appareil, ainsi que l'usage d'accessoires non appropriés.
- Les dommages d'origine externe : incendie, dégâts des eaux, surtension électrique, etc.
- Tout matériel qui aura été démonté même partiellement par des personnes autres que celles habilitées (notamment l'utilisateur).
- Les produits dont le numéro de série serait absent, détérioré ou illisible que ne permettrait pas son identification.
- Les produits soumis à la location, à la démonstration ou à l'exposition.

(*) Certaines pièces de votre appareil dites pièces d'usure ou consommables se détériorent avec le temps et la fréquence d'usage de votre appareil. Cette usure est normale, mais peut être accentuée par des mauvaises conditions d'utilisation ou entretien de votre appareil. Ces pièces ne sont donc pas couvertes par la garantie.

Les accessoires fournis avec l'appareil sont également exclus du champ de la garantie. Ils ne peuvent donc être ni échangés, ni remboursés. Toutefois, certains accessoires peuvent être directement achetés via notre site : <https://sav.hkoenig.com/>.

ENVIRONNEMENT

ATTENTION :



Vous ne devez pas vous débarrasser de cet appareil avec vos déchets ménagers. Un système de collecte sélective pour ce type de produit est mis en place par les communes, vous devez vous renseigner auprès de votre mairie afin d'en connaître les emplacements. En effet, les produits électriques et électroniques peuvent contenir des substances dangereuses qui ont des effets néfastes sur l'environnement ou la santé humaine et doivent être recyclés. Le symbole ci-contre indique que les équipements électriques et électroniques font l'objet d'une collecte sélective, il représente une poubelle sur roues barrée d'une croix.

Adeva SAS / H.Koenig Europe - 8 rue Marc Seguin, 77290 Mitry-Mory, France
www.hkoenig.com - <https://sav.hkoenig.com> - Tél: +33 1 64 67 00 05

DEUTSCH

Bitte lesen Sie diese Bedienungsanleitung sorgfältig durch, bevor Sie das Gerät bedienen, und bewahren Sie diese als künftige Referenz auf.

WICHTIGE HINWEISE:

Wenn Sie das elektrische Gerät nutzen, müssen grundlegende Vorsichtsmaßnahmen immer beachtet werden, um das Risiko eines Brandes, eines Stromschlages und/oder Verletzungen zu vermeiden, einschließlich der folgenden:

1. Lesen Sie alle Anweisungen durch bevor Sie das Gerät benutzen.
2. Entfernen Sie alle Verpackungsmaterialien und überprüfen Sie Ihre Eismaschine sorgfältig, um sicherzustellen, dass diese in gutem Zustand ist und das Stromkabel, der Stecker und die Maschine selbst nicht beschädigt sind.
3. Vor dem ersten Gebrauch, warten Sie bitte 2 Stunden, nachdem die Maschine positioniert ist und lassen Sie den Klarsichtdeckel mindestens für 2 Stunden offen.
4. Reines Wasser darf nicht in diesem Gerät verwendet werden, Quellwasser wird dazu empfohlen.
5. Vergewissern Sie sich, dass die Netzspannung mit allen

auf dem Typenschild des Gerätes angegebenen Spezifikationen übereinstimmen und die Buchse gut geerdet ist.

6. Wenn das Stromkabel beschädigt ist, darf es nur von dem Hersteller, seinem Dienstleister oder einer ähnlich qualifizierten Person ersetzt werden, um Gefährdungen zu vermeiden.

7. Drehen Sie das Produkt nicht um oder neigen Sie nicht über einen 45° Winkel.

8. Um das Risiko eines Stromschlages zu vermeiden, schütten Sie niemals Wasser auf das Kabel, den Stecker oder die Ventilation, tauchen Sie das Gerät nicht ins Wasser oder andere Flüssigkeiten.

9. Vor der Reinigung, ziehen Sie den Stecker.

10. Das Gerät muss 8 cm von anderen Gegenständen entfernt sein, um eine gute Wärmefreigabe zu ermöglichen.

11. Benutzen Sie kein nicht von dem Hersteller empfohlenes Zubehör.

12. Dieses Gerät kann von Personen mit eingeschränkten körperlichen, sensorischen oder geistigen Fähigkeiten oder mangelnder Erfahrung und Kenntnis benutzt werden, vorausgesetzt, dass sie beaufsichtigt oder in der sicheren Benutzung des Gerätes unterwiesen werden und die möglichen Gefahren vollständig verstehen.

13. Benutzen Sie das Gerät nicht in der Nähe von Feuer, Herdplatten oder Öfen.

14. Schalten Sie die Powertaste nicht zu häufig an (lassen Sie mind. 5 Minuten Intervallzeit), um eine Beschädigung des Kompressors zu vermeiden.

15. Blechplatten oder andere elektrische Gegenstände dürfen in das Gerät nicht eingesetzt werden, um das Risiko eines Brandes oder eines Kurzschlusses zu vermeiden.

16. Benutzen Sie das Gerät nicht draußen.

17. Reinigen Sie das Gerät nie mit Scheuermittel oder harten Utensilien.

18. Bewahren Sie die Bedienungsanleitung auf.

19. Warnung: Lagern Sie keine explosiven Stoffe wie z. B. Aerosoldosen mit dem entflammenden Treibgas in diesem Gerät.

20. Dieses Gerät ist für die Verwendung in Haushalten und ähnlichen Bereichen vorgesehen, wie z. B.

- Küchenbereiche in Geschäften, Büros und anderen Arbeitsumgebungen
- in Bauernhäusern
- in Hotels, Motels und anderen Wohnbereichen
- Gästezimmern.

21. Das Kältemittel und Dämmstoff-Treibgas sind entflammbar, entsorgen Sie das Gerät nur bei autorisierten

Entsorgungsstellen. Setzen Sie das Gerät offenem Feuer nicht aus.

22. Das Gerät darf nicht benutzt werden, wenn es fallen gelassen wurde, wenn auffällige Zeichen von Beschädigungen sichtbar sind oder wenn es undicht ist

23. Dieses Gerät darf von Kindern ab 8 Jahren benutzt werden, sofern diese beaufsichtigt werden oder eine Einweisung in den sicheren Gebrauch des Geräts erhalten haben und die damit verbundenen Gefahren verstehen.

24. Kinder dürfen das Gerät nur reinigen oder pflegen, wenn sie mindestens 8 Jahre alt sind und von einem Erwachsenen beaufsichtigt werden.

25. Bewahren Sie das Gerät und das zugehörige Netzkabel außerhalb der Reichweite von Kindern unter 8 Jahren auf.

26. Bei der Verwendung elektrischer Geräte sind stets Sicherheitsvorkehrungen zu treffen, um bei unsachgemäßer Verwendung die Gefahr von Bränden, elektrischen Schlägen und/oder Verletzungen zu vermeiden.

27. Achten Sie darauf, dass die auf dem Typenschild angegebene Nennspannung mit Ihrer Netzspannung übereinstimmt Ihrer Installation. Wenn dies nicht der Fall ist, wenden Sie sich an den Händler und schließen Sie das Gerät nicht an.

28.Lassen Sie das Gerät während des Betriebs niemals unbeaufsichtigt.



Ist Feuer-Warnzeichen. Achtung, Risiko eines Brandes.

SPEZIFIKATIONEN:

Tägliche Eis-Leistung: 12 kg/24 Stunden

Ice-Größe: klein groß

Eis-Lagerkapazität: 600 g

Kältemittel: R600a (21g)

Wassertank-Kapazität: 2.1 L

Spannung: 220-240V AC

Frequenz: 50 Hz

Stromverbrauch: 120 W

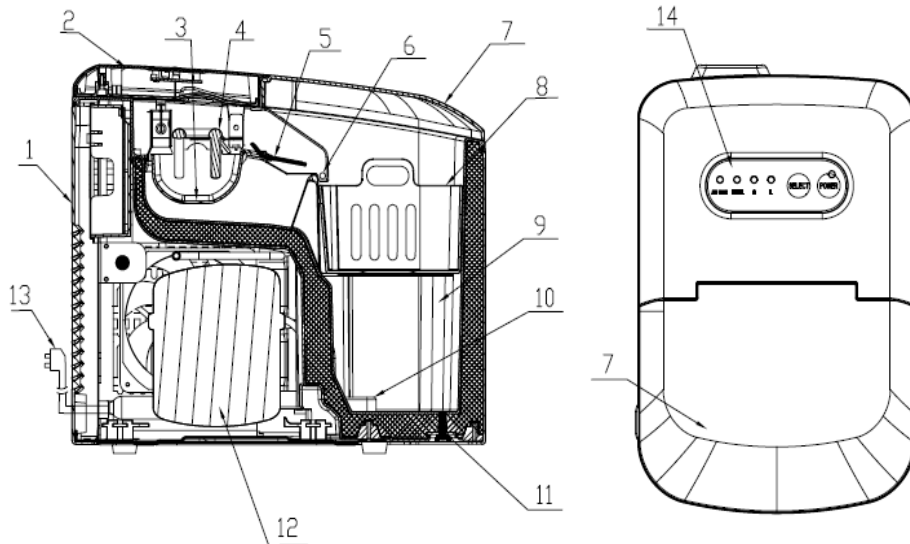
Klimatyp: N/SN

Programm L (große Eiswürfel) = Eis wird alle 9 min freigegeben.

Programm S (kleine Eiswürfel) = Eis wird alle 8 min freigegeben.

Es ist besser, kaltes Wasser zu verwenden


BESCHREIBUNG:




- | | |
|--------------------------|--------------------------|
| 1. Hintere Abdeckung | 8. Eiskorb |
| 2. Obere Abdeckung | 9. Wasserreservoir |
| 3. Tropfwanne | 10. Filter |
| 4. Verdampfer | 11. Wasserablassschraube |
| 5. Eisschaufel | 12. Kompressor |
| 6. Eiseimer-Voll- Sensor | 13. Stromkabel |
| 7. Klarsichtdeckel | 14. Bedienfeld |

BEDIENFELD-BETRIEB:



 Der Indikator von POWER wird nach dem Anschließen aufleuchten, dann geht die Maschine in Ruhemodus. Sie können den Betrieb starten indem Sie auf die POWER-Taste drücken, der Indikator wird dabei leuchten. Wenn Sie auf diese Taste während des Betriebs drücken, geht das Gerät in Ruhemodus zurück.

 Dieser Knopf ist für die Wahl der Größe von Eis zuständig. Die Standarteinstellung bedeutet Eisstücke, wenn Sie kleinere brauchen, drücken Sie auf diese Taste. Wenn Sie die gewünschte Größe wählen, wird der dementsprechende Indikator von S (klein) oder L (groß) leuchten. Halten Sie die SELECT Taste für 3 Minuten gedrückt, um den Self-Clean Vorgang zu aktivieren, der „30 Sekunden Wasser hineinpumpen---Wasser aus dem Wassertank ablaufen lassen“ in einer Runde beinhaltet, die wiederum 5 Mal wiederholt wird. Das Aufleuchten von Indikatoren S und L wird stattfinden, bis der Self-Clean Vorgang abgeschlossen ist und die Maschine in Ruhemodus geht. Ziehen Sie den Plastikstopfen, um den Wasserablauf zu ermöglichen, wenn der ganze Vorgang abgeschlossen ist.

- **ADD WATER** Wenn der Indikator dieser Taste rot wird, bedeutet es, dass es nicht ausreißend Wasser im Wasserreservoir gibt, Sie sollten Wasser hinzufügen und auf die POWER Taste drücken, um das Gerät neu zu starten.

- **ICE FULL** Wenn das Eis die maximale Lagerkapazität erreicht, wird der Indikator dieser Taste aufleuchten, und das Gerät beendet den Betrieb. Sie sollten das Eis ausschütten, wenn es sich wieder unter dem Eiseimer-Voll- Sensor befindet, wird die Maschine automatisch neustarten.

BETRIEBSANLEITUNG:

Hinweis: Das Wasserreservoir und die Rohrleitung müssen vor dem Gebrauch gründlich gereinigt werden.

Schritt 1. Ziehen Sie den Stecker und reinigen Sie das Wasserreservoir, indem Sie Wasser hinzufügen, dann entfernen Sie den Plastikstopfen, um das Wasser aus dem Wasserreservoir ablaufen zu lassen.

Schritt 2. Bauen Sie den Plastikstopfen wieder ein, und fügen Sie das dazu geeignete reine Wasser hinzu. Nachdem korrekten Anschließen zum Netz, halten Sie die SELECT Taste 3 Sekunden gedrückt, um den Self-Clean-Vorgang von der Rohrleitung zu aktivieren. Nach der Reinigung, lassen Sie das Wasser ablaufen, indem Sie den Plastikstopfen entfernen.

Schritt 3. Öffnen Sie den Deckel, um den Eiskorb zu entnehmen und das dazu geeignete Wasser in das Wasserreservoir hinzuzufügen.

Hinweis: Das in das Wasserreservoir hinzufügte Wasser muss niedriger sein, als die MAX Position des Reservoirs. Wenn die Wassermenge über diese Position geht, öffnen Sie bitte die untere Wasserablaufschaube, um das überflüssige Wasser ablaufen zu lassen. Dann schließen Sie den Klarsichtdeckel.

Schritt 4. Wählen Sie die gewünschte Eisgröße, bei der Standardeinstellung des Gerätes wird es groß sein.

Hinweis: Bitte wählen Sie das (S), wenn die Umgebungstemperatur unter 15°C ist. Wenn die Umgebungstemperatur mehr als 30°C beträgt, werden die großen Eiswürfel empfohlen.

Hinweis: Während den ersten drei Runden können die Eiswürfel klein und von unregelmäßiger Größe sein.

Hinweis: Wenn die Eis-Auffangschale voll ist, entfernen Sie das Eis unverzüglich. Lassen Sie die Eis-Auffangschale nicht überfüllen.

REINIGUNG & BEDIENANLEITUNG

A. Reinigen Sie die Innenseite, die Eis-Auffangschale, den Wasserkasten, die Eisschaufel und den Verdampfer regelmäßig. Bei der Reinigung ziehen Sie den Stecker und entfernen Sie die Eiswürfel. Verwenden Sie eine verdünnte Lösung aus Wasser und Essig, um die inneren und äußeren

Flächen der Eismaschine zu reinigen. Besprühen Sie die Eismaschine nicht mit Chemikalien oder verdünnten Reinigungsmitteln wie z.B. Säuren, Benzin oder Öl. Vor dem Gebrauch, spülen Sie es gründlich ab.

B. Halten Sie Lüftungsöffnungen in dem Gehäuse oder der eingebauten Struktur des Gerätes frei von Behinderungen. Benutzen Sie keine mechanischen Geräte oder andere Mittel, um den Abtauvorgang zu beschleunigen, als die, die von dem Hersteller empfohlen wurden.

C. Wenn Sie das Gerät nach einer langen Zeit wieder benutzen, kann es nicht genug Wasser zum Aufpumpen haben, der Indikator von ADD WATER wird andauernd leuchten. In diesem Fall drücken Sie einfach auf die POWER Taste noch ein Mal, dass die Maschine wieder normal funktionieren kann.

D. Um die Reinheit des Eises zu sichern, wechseln Sie bitte das Wasser im Wasserreservoir mindestens einmal am Tag. Beim langen Nichtgebrauch, lassen Sie das Wasser ablaufen und reinigen Sie die Fläche.

E. Wenn der Kompressor wegen Wassermangel, Wasserüberfluss oder Stromstörungen nicht funktioniert, wird es 3 Minuten dauern, bis er nach dem Neustart wieder arbeitet.

F. Benutzen Sie immer frisches Wasser, sowohl bei der

Erstinstallation als auch beim langen Nichtgebrauch.

FEHLERBEHEBUNG:

1. Bitte beachten Sie, wenn der Stromausfall wegen der Trennung vom Netz stattfindet, oder die Power-Taste während der Eisherstellungsrunde abgeschoben wird, können sich kleine Eischips bilden und sich in der automatischen Schaufel einlegen, und damit diese blockieren. Wenn es passiert, können die Eischips entfernt werden, indem Sie das Stromkabel trennen, die Schaufel vorsichtig in die Rückseite des Gehäuses drücken und die Eischips entfernen, dann neustarten.
2. Bitte überprüfen Sie, dass das Wasserreservoir flach ist, wenn die Eisschaufel das Eis in den Eiskorb nicht entfernen kann. Wenn nicht, drücken Sie die Schaufel vorsichtig mit den Fingern, danach drücken Sie auf die Power Taste, um neu zu starten.

PROBLEM	MÖGLICHE URSACHE	LÖSUNGSVORSCHLÄGE
Der Kompressor funktioniert nicht richtig, macht ein summendes Geräusch	Die Spannung ist niedriger als empfohlen	Stellen Sie die Eismaschine ein und warten Sie, bis die Spannung wieder normal ist.
Wassermangel-Kontrolleuchte ist an	1. Es gibt kein Wasser 2. Die Pumpe ist voll mit Luft	1. Fügen Sie Wasser hinzu, bis es die maximale Stelle erreicht 2. Drücken Sie auf die POWER-Taste, um neu zu starten
Kontrolleuchten auf dem Display gehen nicht an	Kaputte Sicherung/ Kein Strom	Sicherung ersetzen / den Strom anschalten
Das gemachte Eis ist zu groß, Würfel kleben zusammen	1. Die Wassertemperatur ist zu niedrig 2. Das Eis von früheren Runden bleibt in der Wasserschale	1. Wählen Sie die kleinere Größe 2. Entnehmen Sie das Eis im Ruhemodus
Alle Indikatoren blinken gleichzeitig	Die Wasserschale ist von einem Eiswürfel blockiert	Ziehen Sie den Stecker, um das blockierende Eis zu entnehmen, dann schließen Sie das Gerät an und drücken Sie auf die Power-Taste, die Maschine wird 3 Minuten später neustarten.

WARNUNG

Füllen nur mit Trinkwasser.

Es ist normal für die Kompressor- und Kondensatorsflächen die Temperatur zwischen 70°C und 90°C während des Betriebs zu erreichen. Der Umgebungsbereich kann auch sehr heiß werden.

Wegen des schnellen Einfrierens können Eiswürfel "wolzig" aussehen. Das sind nur die im Wasser gefangenen Luftblasen, die die Qualität oder den Geschmack des Eises nicht beeinflussen werden. Tauchen Sie das Gerät nicht ins Wasser.

Warnung- halten Sie Lüftungsöffnungen in dem Gehäuse oder der eingebauten Struktur des Gerätes frei von Behinderungen.

Warnung - benutzen Sie keine mechanischen Geräte oder andere Mittel, um den Abtauvorgang zu beschleunigen, als die, die von dem Hersteller empfohlen wurden.

Warnung- beeinträchtigen Sie den Kältekreislauf nicht.

Warnung – benutzen Sie keine elektrischen Geräte im Gerätslagerfach für Lebensmittel, es sei denn sie wurden von dem Hersteller empfohlen.

GARANTIE

Die Garantiezeit für unsere Produkte beträgt 2 Jahre, sofern keine anderen Bestimmungen gelten, ab dem Datum des ursprünglichen Kaufs oder ab dem Lieferdatum.

Bei Problemen oder Fragen können Sie sich an unsere Hilfeseiten, Tipps zur Fehlerbehebung, FAQs und Bedienungsanleitungen auf unserer Kundendienst-Website wenden: <https://sav.hkoenig.com>.

Wenn Sie den Referenznamen Ihres Geräts in die Suchleiste eingeben, erhalten Sie Zugang zu allen verfügbaren Online-Supports.

Wenn Sie immer noch keine Antwort auf Ihre Frage oder Ihr Problem finden, dann klicken Sie auf "Hat die Antwort Ihr Problem gelöst?". Sie können dieses Formular ausfüllen, um Ihre Anfrage zu bestätigen und Hilfe zu erhalten.

GARANTIEBEDINGUNGEN

Die Garantie deckt alle Defekte ab, die bei normalem, bestimmungsgemäßem Gebrauch und den in der Bedienungsanleitung enthaltenen Spezifikationen auftreten.

Diese Garantie gilt nicht für Probleme mit der Verpackung oder dem Transport während des Versands des Produkts durch den Eigentümer. Sie umfasst auch nicht den normalen Verschleiß des Produkts, die Wartung oder den Austausch von Verschleißteilen.

AUSSCHLUSS DER GARANTIE

- Zubehör und Verschleißteile (*).
- Die normale Wartung des Geräts.
- Alle Defekte, die durch unsachgemäßen Gebrauch (Stöße, Nichteinhaltung der empfohlenen Stromzufuhr, schlechte Nutzungsbedingungen usw.), unzureichende Wartung oder Zweckentfremdung des Geräts auftreten, sowie die Verwendung von ungeeignetem Zubehör.
- Schäden durch äußere Einflüsse: Brand, Wasserschäden, elektrische Überspannung usw.
- Alle Geräte, die von anderen als den befugten Personen (insbesondere dem Nutzer) auch nur teilweise auseinanderggebaut wurden.
- Produkte, deren Seriennummer fehlt, beschädigt oder unleserlich ist, sodass sie nicht identifiziert werden können.
- Produkte, die vermietet, vorgeführt oder ausgestellt werden.

(*) Einige Teile Ihres Geräts, die als Verschleißteile oder Verbrauchsmaterialien bezeichnet werden, verschleßen mit der Zeit und der Häufigkeit der Nutzung Ihres Geräts. Diese Abnutzung ist normal, kann aber durch falsche Nutzung oder Pflege Ihres Geräts noch verstärkt werden. Diese Teile sind daher nicht durch die Garantie abgedeckt.

Das mit dem Gerät gelieferte Zubehör ist ebenfalls von der Garantie ausgeschlossen. Sie können daher weder umgetauscht noch erstattet werden. Einige Zubehörteile können jedoch direkt über unsere Website <https://sav.hkoenig.com/> erworben werden.

UMWELT

ACHTUNG:



Werfen Sie nicht dieses Produkt, wie es mit anderen Haushaltsprodukten hat. Es gibt eine Mülltrennung von diesem Produkt in Gemeinden, Sie müssen Ihre lokalen Behörden über die Orte, wo man dieses Produkt zurückgeben können zu informieren. In der Tat enthalten elektrische und elektronische Produkte gefährliche Stoffe, die schädliche Auswirkungen auf die Umwelt oder die menschliche Gesundheit haben und sollte recycelt werden. Das Symbol hier darauf hinweisen, dass elektrische oder elektronische Geräte sollten sorgfältig ausgewählt werden, ist ein fahrbarer Abfallbehälter mit einem Kreuz markiert.

Adeva SAS / H.Koenig Europe - 8 rue Marc Seguin, 77290 Mitry-Mory, France
www.hkoenig.com - <https://kundenservice.hkoenig.com> - Tél: +33 1 64 67 00 05

NEDERLANDS

Lees dit boekje zorgvuldig door voor gebruik en bewaar het voor toekomstige referentie.

BELANGRIJKE OPMERKINGEN:

Bij het gebruik van elektrische apparaten moeten de standaard veiligheidsinstructies worden opgevolgd om de kans op vuur, elektrische schokken en/of verwondingen te verkleinen, inclusief het volgende:

1. Lees alle instructies voor gebruik.
2. Verwijder al het verpakkingsmateriaal en controleer dat de ijsmachine in goede conditie is en er geen schade is aan de ijsmachine, stroomkabel of de stekker.
3. Voor het eerste gebruik van de ijsmachine, wacht 2 uur tot na het plaatsen, en houd de transparante deksel open voor minstens 2 uur.
4. Kraanwater is niet toegestaan om te gebruiken in dit apparaat, bronwater wordt aanbevolen.
5. Controleer dat het voltage overeenkomt met het voltage op het typeplaatje, en controleer dat de aarde van het stopcontact goed functioneert.
6. Als de stroomkabel beschadigd is, moet het worden vervangen door de fabrikant, een servicemonteur of een gelijkwaardig gekwalificeerd persoon om gevaren te

vermijden.

7. Dit apparaat niet omdraaien of verder dan 45°C.

8. Ter voorkoming van een elektrische schok, geen water over de kabel, stekker of ventilatie sprenkelen, niet het apparaat in water onder dompelen of een andere vloeistof.

9. Haal de stekker uit het stopcontact na gebruik of voor de schoonmaak.

10. Houd het apparaat 8cm verwijderd van andere objecten om te verzekeren dat de hitte goed kwijt kan.

11. Gebruik geen accessoires die niet zijn aanbevolen door de fabrikant.

12. Dit apparaat kan worden gebruikt door personen met verminderde fysieke, zintuiglijke of mentale vermogens of met gebrek aan ervaring of kennis, op voorwaarde dat zij onder toezicht staan of instructies hebben gekregen over het veilige gebruik van het apparaat en dat zij de mogelijke gevaren volledig begrijpen.

13. Gebruik het apparaat niet in de buurt van vlammen, fornuizen of kachels.

14. Druk niet regelmatig op de power knop (minimaal 5 min tussenpozen) om schade aan de compressor te vermijden.

15. Metalen of andere geleidende objecten mogen niet in het apparaat om vuur en kortsluiting te voorkomen.

16. Niet buiten gebruiken.

17. Nooit schoonmaken met bijtende middelen of harde spullen.

18. Bewaar de gebruikershandleiding.

19. Waarschuwing: Geen explosieve substantie zoals aerosol bussen met een brandbaar drijfgas in dit apparaat opslaan.

20. Dit apparaat is bedoeld voor gebruik in huishoudens en soortgelijke ruimten, zoals

- keukenruimten in winkels, kantoren en andere werkomgevingen
- in boerderijen
- in hotels, motels en andere woonwijken
- gastenkamers.

21. Het koelingsmiddel en het isolatie gas is ontvlambaar, voer het apparaat daarom in bij een milieustraat. Niet blootstellen aan vuur.

22. Het apparaat mag niet worden gebruikt als het is gevallen, er zijn duidelijke tekenen van schade zichtbaar of er zijn lekken.

23. Dit apparaat mag worden gebruikt door kinderen vanaf 8 jaar en ouder indien dit gebeurt onder toezicht, als zij van tevoren instructies hebben ontvangen betreffende het veilige gebruik van het apparaat en als zij de mogelijke gevaren kennen.

24. Reiniging en onderhoud mogen niet worden uitgevoerd door kinderen tenzij ze 8 jaar of ouder zijn en onder toezicht van een volwassene staan.

25. Houd het apparaat en het snoer buiten bereik van kinderen onder de 8 jaar.

26. Bij het gebruik van elektrische apparatuur moeten altijd veiligheidsmaatregelen worden genomen om het risico van brand, elektrische schokken en/of letsel in geval van verkeerd gebruik te voorkomen.

27. Controleer of de spanning op het typeplaatje Overeenkomt met de spanning die op het typeplaatje staat van uw installatie. Als dit niet het geval is, neem dan contact op met de dealer en sluit het apparaat niet aan.

28. Laat het apparaat nooit onbeheerd achter terwijl het in bedrijf is.



Is een vuur waarschuwingsteken. Risico op vuur.

SPECIFICATIES:

Dagelijkse IJs Uitvoer: 12kg / 24 uur

IJs formaat: klein, groot

IJs Opslag Capaciteit: 600 g

Koelstof: R600a (21g)

Water Reservoir Capaciteit: 2.1 L

Voltage: 220-240V AC

Frequentie: 50 Hz

Stroom Verbruik: 120 W

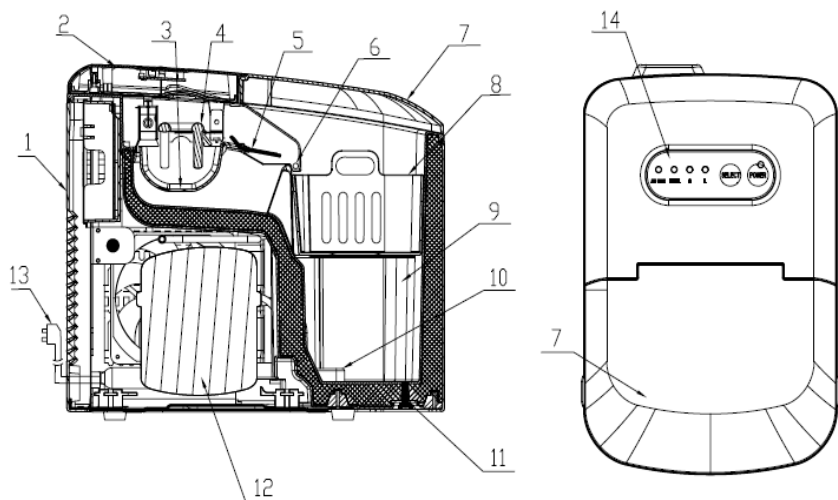
Klimaat Type: N/SN

Programma L (grote ijsblokjes) = elke 9 minuten ijsvrijgave

Programma S (kleine ijsblokjes) = elke 8 minuten ijs.

Het is het beste om koud water te gebruiken

BESCHRIJVING:



- | | |
|-----------------------|------------------------|
| 1. Achterste Kap | 8. IJs Bak |
| 2. Bovenste Kap | 9. Water Reservoir |
| 3. Water Bak | 10. Filter |
| 4. Verdampers | 11. Water Uitloop Plug |
| 5. IJs Schep | 12. Compressor |
| 6. IJs-bak-vol Sensor | 13. Stroomkabel |
| 7. Transparante klep | 14. Bedieningspaneel |

BEDIENINGSPANEEL GEBRUIK:



POWER De indicator van POWER zal knipperen nadat de stekker in het stopcontact is gestoken. De machine staat stand-by. Het zal beginnen te werken door te drukken op POWER, de indicator zal gaan branden. Tijdens gebruik, zal het drukken van deze knop, de machine laten terugkeren naar de stand-by stand.

SELECT Deze knop is voor de keuze van het grootte van het ijs. De standaard stand is groot ijs, als klein ijs is gewenst, druk dan op deze knop. Bij de keuze van het grootte van het ijs zal de bijbehorende indicator gaan branden S (klein) of L (groot).

Druk en houd "SELECT" vast voor 3 seconden om het automatische leidingschoonmaak proces te starten, nu zal het proces "pomp water rond voor 30 seconden---water reservoir naar waterbak" als een cirkel, dit zal 5 keer herhaalt worden. Het knipperen van de indicatoren "S" en "L" zal blijven doorgaan totdat de machine overgaat in stand-by stand. Verwijder de plastic plug om het water te laten uitlopen en het proces is afgerond.



ADD WATER

Als de indicator van deze knop rood is, betekent het dat er te weinig water in het water reservoir zit, voeg genoeg water toe en druk POWER om de machine te herstarten.

- Als het ijs de maximale opslag capaciteit bereikt, zal de indicator van deze knop knipperen, de machine zal stoppen met werken. U dient nu het ijs uit te schenken, als het ijs niveau lager komt dan de sensor, zal de machine zich automatisch herstarten.

ICE FULL

GEBRUIKERS INSTRUCTIES :

Opmerking: Het waterreservoir en de leidingen moeten goed worden gereinigd voor gebruik.

Stap 1. Maak de stekker los en maak het reservoir schoon door water toe te voegen, verwijder dan de plug om het water te laten weglopen.

Stap 2. Plaats de plug weer terug en voeg genoeg schoon water. Na het insteken van de stekker, druk en houd "SELECT" knop vast voor 3 seconden om het leidingen schoonmaak proces te starten. Na reiniging, laat het water weglopen door de plug te verwijderen.

Stap 3. Open de klep en haal de ijsbak eruit om voldoende water in het reservoir te doen.

Opmerking: De hoeveelheid water in het reservoir moet lager zijn dan de MAX van het reservoir. Als het water hoger staat dan de max, maak dan de plug los om het overvloedige water weg te laten lopen. Sluit dan de transparante klep.

Stap 4. Kies de gewenste ijs grootte, de standaard stand is groot.

Opmerking: Kies (S) als de omgevingstemperatuur beneden 15°C graden is. Als de omgevingstemperatuur boven 30°C is worden grote (L) ijsblokjes aanbevolen.

Opmerking: Voor de eerste drie keer, kunnen de ijsblokjes klein en verschillende groottes hebben.

Opmerking: Als de ijsbak vol is, verwijder dan het ijs direct. Laat de ijsbak niet overstromen.

SCHOONMAKEN & GEBRUIKERSTIPS

1. Reinig het binnenwerk, de ijsbak, waterbak, ijsschep en verdampers regelmatig. Bij het schoonmaken, maak de stekker los en verwijder de ijsblokjes. Gebruik een verdunde oplossing van water en azijn om het binnenwerk schoon te maken en voor de buitenkant van de ijsmachine. Spuit geen chemicaliën of verdunde middelen zoals zuren, gassen of oliën op de ijsmachine. Goed afdrogen voor gebruik.

2. Houd de ventilatie openingen van het apparaat, of het binnenwerk, vrij van obstructies. Gebruik geen mechanische apparaten of andere middelen om het vries proces te versnellen, tenzij ze worden aanbevolen door de fabrikant.

3. Opnieuw gebruik van de machine na een periode buiten gebruik, kan het zijn dat er niet genoeg water in het reservoir zit om op te pompen, de indicator van "add water" zal gaan branden. Op dit punt kunt u op power drukken om de machine in de normale stand te brengen.
4. Om de helderheid van het ijs te garanderen, vervang het water in het reservoir op zijn minst iedere dag. Bij een tijd buiten gebruik, laat het water weglopen en maak het schoon.
5. Als de compressor stopt door een tekort aan water, teveel water, interruptie van de stroomvoorziening, zal het na 3 min opnieuw opstarten.
6. Altijd vers water gebruiken, bij het eerste gebruik, of na een lange niet gebruikte periode.

PROBLEEMOPLOSSING :

1. Let op, als een stroomuitval plaats vindt, door verwijdering van de stekker, of het drukken van de POWER knop tijdens het ijsmaken, kunnen kleine ijsfragmenten de automatische schep blokkeren. Als dit gebeurt, kunnen de fragmenten worden verwijderd door de stekker los te maken en zachtjes de schep naar het einde van de ruimte te drukken en de fragmenten te verwijderen, dan herstarten.
2. Controleer dat het water reservoir vlak zit, als de schep het ijs niet kan verwijderen naar de ijsbak. Zo niet, druk dan voorzichtig met een vinger de ijsschep en druk op POWER om te herstarten.

PROBLEEM	MOGELIJKE OORZAAK	AANBEVOLEN OPLOSSING
De compressor werkt vreemd met een Zoemend Geluid	De spanning is lager dan aanbevolen	Stop de ijsmachine en niet herstarten totdat de spanning is hersteld.
Water tekort indicator Indicator brandt	1. Er is geen water 2. De pomp zit vol lucht	1. Voeg water toe tot de MAX positie 2. Druk op POWER om te herstarten
De indicatoren op het display branden niet	Kapotte zekering/ Geen spanning	Vervang zekering/ Schakel spanning in
Het gemaakte ijs is te groot Met stukken die samen plakken.	1. Water temperatuur is te laag 2. Ijs van eerder gebruik zit nog in de waterbak	1. Kies klein formaat 2. Verwijder het ijs tijdens de stand-by stand
Alle indicatoren knipperen tegelijk	De waterbak is geblokkeerd door een ijsblok	Maak de stekker los en verwijder het blokkerende ijs, plaats de stekker weer en druk de POWER knop, de machine zal na 3 min weer starten.

WAARSCHUWING

Alleen vullen met drinkbaar water.

Het is normaal dat de compressor en verdamper temperaturen kunnen bereiken van 70°C en 90°C tijdens gebruik en de omliggende gebieden kunnen zeer heet worden.

Door te snel bevriezen kunnen ijsblokjes "troebel" lijken. Dit is lucht gevangen in het water en zal niet de kwaliteit van het ijs beïnvloeden.

Niet onderdompelen in water.

Waarschuwing – Houd de ventilatie openingen van het apparaat, of het binnenwerk, vrij van obstructies.

Waarschuwing – Gebruik geen mechanische apparaten of andere middelen om het vries proces te versnellen, tenzij ze worden aanbevolen door de fabrikant.

Waarschuwing -- niet het koelcircuit beschadigen.

Waarschuwing -- gebruik geen elektrische apparaten in de voedselruimtes van het apparaat, tenzij dit type wordt aanbevolen door de fabrikant.

GARANTIE

De garantieperiode op onze producten is 2 jaar, tenzij anders vermeld, beginnend vanaf de datum van de initiële aankoop of bezorgdatum.

Als u problemen of vragen heeft, kunt u eenvoudig onze hulppagina's bezoeken voor tips om problemen op te lossen, de FAQ's en andere gebruikershandleidingen op onze website: <https://sav.hkoenig.com>.

Door de referentiernaam van uw apparaat in de zoekbalk te typen, krijgt u toegang tot alle beschikbare online hulpmiddelen, ontworpen om aan uw behoeften te voldoen.

Als u toch niet geen antwoord op uw vraag kunt vinden, klik dan op "Heeft het antwoord uw probleem opgelost? Hierdoor gaat u naar het Aanvraagformulier voor Klantenondersteuning, dat u in kunt vullen om uw verzoek te valideren en hulp te ontvangen.

GARANTIEVOORWAARDEN

De garantie dekt alle mankementen die voortkomen uit normaal gebruik, volgens de sectie gebruik en specificaties in de gebruikershandleiding.

Deze garantie omvat niet verpakings- of transportproblemen tijdens het vervoer van het product door de eigenaar. Het omvat ook niet de normale slijtage van het product, noch het onderhoud of vervangen van verbruiksartikelen.

UITSLUITINGEN VAN DE GARANTIE

- Accessoires en verbruiksartikelen (*).
- Normaal onderhoud van het apparaat.
- Alle mankementen veroorzaakt door verkeerd gebruik (schokken, het niet opvolgen van de aanbevolen stroomvoorziening, in slechte omstandigheden gebruiken, etc.), onvoldoende onderhoud of ondeugdelijk gebruik van het apparaat, alsook het gebruik van ongeschikte accessoires.
- Schade van buitenaf: vuur, waterschade, elektrische stroompiek, etc.
- Apparaten die uit elkaar zijn gehaald, ook gedeeltelijk, door personen die niet er niet gekwalificeerd voor zijn (zoals de gebruiker).

- Producten waarvan het serienummer verdwenen, beschadigd of onleesbaar is, waardoor we het niet kunnen identificeren.



- Producten die verhuurd werden of ter demonstratie of showmodel waren.

(*) Sommige onderdelen van uw apparaat, genaamd verbruiksartikelen, slijten naar verloop van tijd en bij veel gebruik van uw apparaat. Deze slijtage is normaal, maar kan verergerd worden door slechte omstandigheden of onderhoud van uw apparaat. Deze onderdelen worden daarom niet gedekt door de garantie.

De accessoires meegeleverd met het apparaat zijn ook uitgesloten van de garantie. Ze kunnen niet vervangen of gerestitueerd worden. Echter, sommige accessoires zijn te koop via onze website: <https://sav.hkoenig.com/>.

MILIEU

ATTENTIE:

 Dit apparaat mag niet met uw ander huishoudelijke toestellen worden verwijderd. Dit product moet op een geselecteerde stortplaats verwijderd worden. U kunt bij de gemeente een  indiceerde plaats aanvragen. Elektrisch en elektronische producten kunnen gevaarlijke stoffen inhouden die schadelijk zijn voor mensen en het milieu en moet recycled worden. Het symbool aan de kant geeft aan dat het een elektrisch en elektronisch toestel is en zijn dus artikelen van een selectieve collectie. Het beeld geeft een afvalbak met een X teken aan.

Adeva SAS / H.Koenig Europe - 8 rue Marc Seguin, 77290 Mitry-Mory, France
www.hkoenig.com - <https://en.hkoenig.com> - Tél: +33 1 64 67 00 05

ESPAÑOL

Lea este folleto detenidamente antes de utilizar la máquina y guárdelo para consultas futuras.

INSTRUCCIONES IMPORTANTES

Para utilizar un electrodoméstico, siempre se deben tomar las precauciones básicas de seguridad para reducir los riesgos de incendio, descargas eléctricas y/o lesiones, incluyendo las siguientes:

1. Lea todas las instrucciones antes usar la máquina.
2. Retire todo el material de embalaje y revise su máquina de hielo minuciosamente para asegurarse de que esté en buenas condiciones y que la máquina, su cable de alimentación o el enchufe no estén dañados.
3. Antes de usar la máquina por primera vez, déjela reposar durante 2 horas en su local de instalación y mantenga la tapa transparente abierta por el mismo período.
4. No use agua pura para hacer hielo en esta máquina, se recomienda el uso de agua mineral o manantial.
5. Compruebe que la tensión de su red eléctrica sea compatible con la indicada en la placa de características de la máquina y verifique que la conexión a tierra del tomacorriente esté en buen estado.
6. Si el cable de alimentación está dañado, este deberá ser reemplazado por el fabricante, su agente de servicios

técnicos o un especialista similar para evitar riesgos potenciales.

7. Nunca vuelque esta máquina ni la incline a más de 45 grados de la superficie.

8. Para prevenir descargas eléctricas, no vierta agua sobre el cable de alimentación, el enchufe o las ranuras de ventilación y nunca sumerja la máquina en agua o en cualquier otro líquido.

9. Desenchufe la máquina del tomacorriente después del uso o antes de limpiarla.

10. Mantenga la máquina a 8 cm de cualquier otro objeto para permitir la circulación de aire y una buena disipación de calor.

11. Utilice únicamente los accesorios recomendados por el fabricante.

12. Este aparato puede ser utilizado por personas con capacidades físicas, sensoriales o mentales reducidas o con falta de experiencia o conocimientos, siempre que sean supervisadas o instruidas en el uso seguro del aparato y que entiendan perfectamente los peligros potenciales.

13. No utilice la máquina cerca de llamas, fogones, hornillas o estufas.

14. Para evitar que se dañe el compresor, no encienda la máquina (botón POWER) demasiadas veces en cortos períodos de tiempo (espere al menos 5 minutos).

15. Para evitar incendios y cortocircuitos, nunca introduzca láminas de metal u otros objetos conductores en la máquina de hielo.

16. No use la máquina a la intemperie.

17. Nunca limpie la máquina con productos abrasivos o implementos duros.

18. Debe conservar este manual de instrucciones.

19. **Advertencia:** No use la máquina para almacenar sustancias explosivas, tales como latas de aerosol con propelentes inflamables.

20. Este aparato está destinado al uso en hogares y áreas similares, como

- zonas de cocina en tiendas, oficinas y otros entornos de trabajo

- en casas de campo

- en hoteles, moteles y otras zonas residenciales

- habitaciones de huéspedes.

21. El gas aislante y refrigerante es inflamable, por lo tanto, para desechar la máquina, hágalo solamente en un centro de recolección de residuos autorizado. No exponer al fuego.

22. El dispositivo no debe utilizarse si se ha caído, si hay signos evidentes de daño o si hay fugas.

23. Este aparato puede ser utilizado por niños de al menos 8 años de edad, siempre que cuenten con supervisión y hayan recibido instrucciones sobre el uso seguro del

electrodoméstico y sean plenamente conscientes de los peligros que implica.

24. La limpieza y mantenimiento de la máquina no debe ser efectuada por niños a menos que tengan como mínimo 8 años de edad y cuenten con la supervisión de un adulto.

25. Mantenga el aparato y su cable eléctrico fuera del alcance de niños de menos de 8 años.

26. Al utilizar equipos eléctricos, siempre se deben tomar precauciones de seguridad para evitar el riesgo de incendio, descarga eléctrica y/o lesiones en caso de uso indebido.

27. Asegúrese de que la tensión nominal de la placa de características corresponde a la tensión de red de su instalación. Si no es así, póngase en contacto con el distribuidor y no conecte la unidad.

28. Nunca deje la unidad desatendida mientras esté en funcionamiento.



Señal de peligro de incendio. Precaución, riesgo de incendio.

CARACTERÍSTICAS

- Producción de hielo diaria: 12 kg / 24 h
- Tamaño del cubo de hielo: pequeño, grande
- Capacidad de almacenamiento de hielo: 600 g
- Refrigerante: R600a (21 g)
- Capacidad del depósito de agua: 2,1 L
- Tensión: 220-240 V AC
- Frecuencia: 50 Hz
- Consumo de energía: 120 W
- Clase climática: N/SN

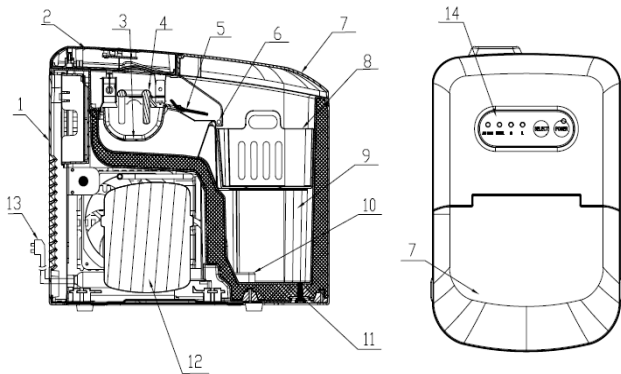
Programa L (cubitos grandes) = hielo liberado cada 9 minutos

Programa S (cubitos pequeños) = hielo cada 8 minutos

Lo mejor es utilizar agua fría

DESCRIPCIÓN DE LA MÁQUINA

1. Cubierta trasera



2. Cubierta superior

3. Bandeja de agua

4. Evaporador

5. Pala de hielo automática

6. Sensor de cubeta llena

7. Tapa transparente

8. Cubeta colectora de hielo

9. Depósito de agua

10. Filtro

11. Tapón del drenaje

12. Compresor

13. Cable de alimentación

14. Panel de Control

OPERACIÓN DEL PANEL DE CONTROL




El indicador del botón POWER pisará cuando conecte el enchufe al tomacorriente y la máquina entra en modo de espera. La máquina empieza a trabajar presionando el botón POWER, lo que hace que se encienda el indicador. En funcionamiento, basta presionar el mismo botón para detener la producción de hielo y la máquina vuelve al modo de espera




Este botón es para seleccionar el tamaño de los cubos de hielo. El tamaño predeterminado es grande, si necesita cubos pequeños puede presionar este botón para cambiar el ajuste. Cuando seleccione el tamaño deseado, el indicador correspondiente se iluminará:

S (pequeño) o L (grande). Presione el botón “SELECT” y manténgalo presionado por 3 segundos para iniciar la auto-limpieza de la tubería, que consiste en “bombear el agua durante 30 segundos y luego drenarla hacia el tanque” y este ciclo se repite 5 veces. Los indicadores “S” y “L” parpadearán alternadamente hasta que termine la auto-limpieza y la máquina entre en modo de espera. Retire el tapón plástico para drenar el agua y así acabar todo el proceso.

 Cuando el indicador de este botón se pone rojo, significa que hay poca agua en el depósito. Debe verter suficiente agua en el depósito y presionar el botón POWER para reiniciar la máquina.

ADD WATER

 Cuando el hielo llega a la capacidad máxima de almacenamiento en la cubeta, el indicador de este botón empieza a parpadear y la máquina deja de trabajar. Lo único que necesita hacer es retirar el hielo de la cubeta, cuando el nivel de hielo esté por debajo del sensor de cubeta llena, la máquina retomará la producción automáticamente.

ICE FULL

INSTRUCCIONES DE OPERACIÓN

Nota: Limpie bien el depósito de agua y la tubería antes de usar la máquina.

Paso 1. Desenchufe el cable de alimentación del tomacorriente y limpie el depósito de agua con abundante agua, luego retire el tapón plástico del drenaje para desaguar el depósito.

Paso 2. Vuelva a colocar el tapón del drenaje y llene el depósito con agua apropiada y limpia. Después de enchufar la máquina al tomacorriente, presione el botón “SELECT” y manténgalo presionado durante 3 segundos para efectuar la auto-limpieza de la tubería. Al finalizar este proceso, drene el agua del depósito retirando el tapón.

Paso 3. Abra la tapa transparente y retire la cubeta del hielo para que pueda verter agua fresca en el depósito de agua.

Nota: El agua vertida en el depósito debe quedar por debajo del nivel máximo indicado en el depósito. Cuando el volumen de agua quede por encima del nivel máximo, abra el tapón plástico para drenar el agua en exceso. A continuación, cierre la tapa transparente.

Paso 4. Seleccione el tamaño deseado para los cubos de hielo, el tamaño por defecto de la máquina es grande.

Nota: Seleccione el tamaño pequeño (S) si la temperatura ambiente es inferior a 15°C. Cuando la temperatura ambiente es superior a 30°C, se recomienda hacer cubos de hielo grandes (L).

Nota: Durante los tres primeros ciclos, los cubos de hielo pueden salir pequeños y de tamaño irregular.

Nota: Cuando la cubeta colectora esté llena de hielo debe vaciarla inmediatamente. Nunca permita que el hielo se desborde fuera en la cubeta.

LIMPIEZA Y ORIENTACIONES PARA EL USO

1. Limpie regularmente el revestimiento interior, la cubeta colectora, el depósito de agua, la pala automática y el evaporador. Para efectuar la limpieza, desenchufe la máquina del tomacorriente y retire los cubos de hielo. Use una solución diluida de agua y vinagre para limpiar el interior y las superficies externas de la máquina. No use productos químicos ni agentes diluidos tales como ácidos, gasolina o aceite para limpiar la máquina. Enjuague bien la máquina antes de utilizarla.

2. Nunca obstruya las ranuras de ventilación en las cubiertas de la máquina o la carcasa incorporada. No utilice dispositivos mecánicos u otros medios para acelerar la descongelación, que no sean aquellos recomendados por el fabricante.

3. Al utilizar la máquina después de largos períodos de inactividad, es posible que no tenga suficiente agua para bombear por el retardo de aire y el indicador “ADD WATER” seguirá parpadeando. En este momento, sólo tiene que presionar de nuevo el botón POWER, la máquina puede iniciar en su estado normal.

4. Para garantizar la pureza del hielo, cambie el agua del depósito por lo menos una vez al día. Si no va a utilizar la

máquina por un largo período, drene el agua del depósito y limpie la máquina.

5. Si el compresor falla por falta de agua, mucha agua o interrupción del suministro eléctrico, tardará 3 minutos en arrancar después de reiniciar la máquina.

6. Siempre use agua fresca antes de iniciar la producción de hielo, ya sea para el primer uso de la máquina o después de un largo período sin utilizarla.

SOLUCIÓN DE PROBLEMAS

1. Tenga en cuenta que si se interrumpe el funcionamiento de la máquina por la desconexión del cable de alimentación o por liberar el botón POWER durante un ciclo de producción de hielo, se pueden formar pequeñas escarchas que se alojan en la pala automática. Si esto ocurre, puede remover las escarchas desenchufando el cable de alimentación y empujando la pala suavemente hacia atrás retirando el hielo. Luego de eliminar las escarchas reinicie la máquina.
2. Cuando la pala automática no puede mover los cubos de hielo hacia la cubeta, verifique que la bandeja de agua esté nivelada. Si este no es el caso, empuje la pala suavemente con el dedo y luego presione el botón POWER para reiniciar.

PROBLEMA	CAUSA POSIBLE	SOLUCIONES SUGERIDAS
Funcionamiento anormal del compresor con un ruido/zumbido extraño.	El voltaje es menor que el recomendado.	Detener la máquina y no reiniciarla hasta que se normalice el voltaje.
La luz del indicador ADD WATER está encendida.	1. Falta agua en el depósito de agua. 2. La bomba está llena de aire.	1. Verter agua en el depósito hasta el nivel máximo. 2. Presionar el botón POWER para reiniciar la máquina.
Las luces indicadoras del panel de control están apagadas.	1. Fusible fundido. 2. Máquina apagada.	1. Reemplazar el fusible. 2. Encender la máquina presionando el botón POWER.
Los cubos de hielo salen muy grandes y unos pegados a los otros.	1. Temperatura del agua demasiado baja. 2. Quedan hielos de ciclos anteriores en la bandeja.	1. Seleccionar el menor tamaño. 2. Retirar todo el hielo durante el modo de espera.
Las luces de todos los indicadores parpadean simultáneamente.	La bandeja de agua está bloqueada por cubos de hielo.	Desenchufar la máquina y retirar el hielo que bloquea la bandeja, enchufar de nuevo y presionar el botón POWER. La máquina se reiniciará al cabo de 3 minutos.

ADVERTENCIAS

Llene el depósito de agua exclusivamente con agua potable.

Es normal que la superficie del compresor y del condensador alcance temperaturas entre 70°C y 90°C durante el funcionamiento de la máquina y las áreas aledañas también pueden sobrecalentarse.

Como consecuencia del rápido proceso de congelación, los cubos de hielo pueden salir “nublados”. Esto se debe al aire comprimido dentro del agua y no afecta la calidad ni el sabor del hielo.

Nunca sumerja la máquina en agua.

Advertencia – Nunca obstruya las ranuras de ventilación en la cubierta de la máquina o en la estructura incorporada.

Advertencia – No use dispositivos mecánicos u otros medios para acelerar el proceso de descongelación, que no sean aquellos recomendados por el fabricante.

Advertencia – Cuidado para no dañar los conductos del refrigerante.

Advertencia – No utilice aparatos eléctricos en el compartimiento de almacenamiento de hielo de esta máquina, a menos que sean del tipo recomendado por el fabricante.

GARANTÍA

El periodo de garantía de nuestros productos es de 2 años, salvo que la ley estipule lo contrario, a partir de la fecha de la compra inicial o de la fecha de entrega.

Si tiene algún problema o pregunta, puede acceder fácilmente a nuestras páginas de ayuda, consejos para solucionar problemas, preguntas frecuentes y manuales de usuario en nuestro sitio de servicio: <https://sav.hkoenig.com>.

Al escribir el nombre de referencia de su dispositivo en la barra de búsqueda, puede acceder a toda la asistencia en línea disponible, diseñada para satisfacer mejor sus necesidades.

Si sigue sin encontrar una respuesta a su pregunta o problema, haga clic en "¿La respuesta ha resuelto su problema? Esto le llevará al formulario de solicitud de asistencia posventa, que puede rellenar para validar su solicitud y obtener ayuda.

CONDICIONES DE GARANTÍA

La garantía cubre todos los fallos que se produzcan en el contexto de un uso normal, de acuerdo con los usos y especificaciones del manual de usuario.

Esta garantía no se aplica a los problemas de embalaje o transporte durante el envío del producto por parte del propietario. Tampoco incluye el desgaste normal del producto, ni el mantenimiento o la sustitución de piezas consumibles.

EXCLUSIÓN DE GARANTÍA

- Accesorios y piezas de desgaste (*).
- Mantenimiento normal del aparato.
- Todas las averías derivadas de un uso incorrecto (golpes, incumplimiento de las recomendaciones de alimentación eléctrica, malas condiciones de uso, etc.), de un mantenimiento insuficiente o de un mal uso del aparato, así como del uso de accesorios inadecuados.

- Daños de origen externo: incendio, daños por agua, sobrecarga eléctrica, etc.
- Cualquier equipo que haya sido desmontado, incluso parcialmente, por personas que no estén autorizadas a hacerlo (en particular el usuario).
- Productos cuyo número de serie falte, esté dañado o sea ilegible, lo que no permitiría su identificación.
- Productos sujetos a alquiler, demostración o exposición.

(*) Algunas piezas de su aparato, conocidas como piezas de desgaste o consumibles, se deterioran con el tiempo y la frecuencia de uso de su aparato. Este desgaste es normal, pero puede acentuarse por las malas condiciones de uso o de mantenimiento de su aparato. Por lo tanto, estas piezas no están cubiertas por la garantía.

Los accesorios suministrados con el aparato también están excluidos de la garantía. No se pueden cambiar ni reembolsar. No obstante, algunos accesorios pueden adquirirse directamente en nuestro sitio web: <https://sav.hkoenig.com/>

MEDIO AMBIENTE

ATENCIÓN:



No se deshaga de este producto como lo hace con otros productos del hogar. Existe un sistema selectivo de colecta de este producto puesto en marcha por las comunidades, debe de informarse en su ayuntamiento acerca de los lugares en los que puede depositar este producto. De hecho, los productos eléctricos y electrónicos pueden contener sustancias peligrosas que tienen efectos nefastos para el medio ambiente o para la salud humana y deben ser reciclados. El símbolo aquí presente indica que los equipos eléctricos o electrónicos deben de ser cuidadosamente seleccionados, representa un recipiente de basura con ruedas marcado con una X.

Adeva SAS / H.Koenig Europe - 8 rue Marc Seguin, 77290 Mitry-Mory, France
www.hkoenig.com - <https://sac.hkoenig.com/> - Tél: +33 1 64 67 00 05

ITALIANO

Leggere questo libretto prima dell'utilizzo e conservarlo per riferimenti futuri

AVVISI IMPORTANTI:

Quando si utilizza un apparecchio elettrico, alcune precauzioni di sicurezza devono sempre essere seguite per ridurre il rischio di incendi, scosse elettriche e / o lesioni, tra cui:

1. Leggere tutte le istruzioni prima dell'uso.
2. Rimuovere il materiale di imballaggio e controllare attentamente la vostra macchina del ghiaccio per assicurarsi che sia in buone condizioni e che non vi siano danni alla macchina del ghiaccio o al cavo di alimentazione e alla spina.
3. Prima di usare la macchina del ghiaccio per la prima volta, si prega di attendere 2 ore dopo il suo posizionamento, e tenere il coperchio trasparente aperto per almeno due ore.
4. L'acqua pura non è adatta ad essere utilizzata su questo apparecchio, si raccomanda acqua di sorgente.
5. Assicurarsi che la tensione sia compatibile con la tensione indicata sulla targhetta, e garantirsi che la messa a terra della presa sia in buone condizioni.

6. Se il cavo di alimentazione è danneggiato, deve essere sostituito dal costruttore o un suo incaricato o da una persona qualificata per evitare rischi.

7. Non capovolgere questo prodotto o inclinarlo sopra un angolo di 45°.

8. Per evitare il rischio di scariche elettriche, non versare acqua sul cavo, sulla spina e sul condotto di ventilazione, immergere l'apparecchio in acqua o altri liquidi.

9. Scollegare l'apparecchio dopo l'utilizzo o prima della pulizia.

10. Mantenere ad 8cm di distanza l'apparecchio da altri oggetti per assicurare una buona dispersione del calore.

11. Non utilizzare accessori non raccomandati dal Produttore.

12. Questo apparecchio può essere usato da persone con ridotte capacità fisiche, sensoriali o mentali o con mancanza di esperienza o conoscenza, a condizione che siano sorvegliate o istruite sull'uso sicuro dell'apparecchio e che comprendano pienamente i potenziali pericoli.

13. Non utilizzare l'apparecchio vicino a fiamme, fornelli o stufe.

14. Non accendere il pulsante di accensione di frequente (garantire almeno 5min. di Intervallo) per evitare il

danneggiamento del compressore.

15. La lamiera o altri oggetti elettrici non possono essere inseriti all'interno dell'apparecchio per evitare fiamme e corto circuito.

16. Non utilizzare all'aperto.

17. Non pulire mai con detersivi corrosivi o utensili duri.

18. Si prega di conservare il manuale di istruzioni.

19. Attenzione: Non conservare sostanze esplosive, come bombolette spray con un propellente infiammabile in questo apparecchio.

20. Questo apparecchio è destinato all'uso in ambienti domestici e simili, come

- cucine di negozi, uffici e altri ambienti di lavoro
- in case coloniche
- in alberghi, motel e altre aree residenziali
- nelle camere degli ospiti.

21. Il gas refrigerante e di isolamento è infiammabile, lo smaltimento dell'apparecchio, va effettuato soltanto in un centro di smaltimento autorizzato. Non esporre a fiamme.

22. Il dispositivo non deve essere utilizzato se è stato lasciato cadere, sono visibili evidenti segni di danneggiamento o se presenta perdite.

23. Questo apparecchio può essere utilizzato da bambini a partire da 8 anni, purché sorvegliati e istruiti all'uso sicuro dell'apparecchio e pienamente a conoscenza dei pericoli che comporta.

24. La pulizia e la manutenzione non devono essere eseguite da bambini a meno che abbiano più di 8 anni e siano sorvegliati da un adulto.

25. Conservare l'apparecchio e il cavo di alimentazione fuori dalla portata di bambini di età inferiore a 8 anni.

26. Quando si utilizzano apparecchiature elettriche, è necessario adottare sempre misure di sicurezza per prevenire il rischio di incendi, scosse elettriche e/o lesioni in caso di uso improprio.

27. Accertarsi che la tensione nominale sulla targhetta corrisponda alla tensione principale della vostra installazione. In caso contrario, contattare il rivenditore e non collegare l'unità.

28. Non lasciare mai l'unità incustodita durante il funzionamento.



E 'segno di allarme incendio. Attenzione rischio di incendio.

SPECIFICHE TECNICHE:

Uscita di ghiaccio giornaliera: 12kg / 24 ore

Dimensione ghiaccio: piccolo, grande

Capacità di stoccaggio ghiaccio: 600 g

Refrigerante: R600a (21g)

Capacità Serbatoio acqua: 2,1 L

Tensione: 220-240V AC

Frequenza: 50 Hz

Consumo: 120W

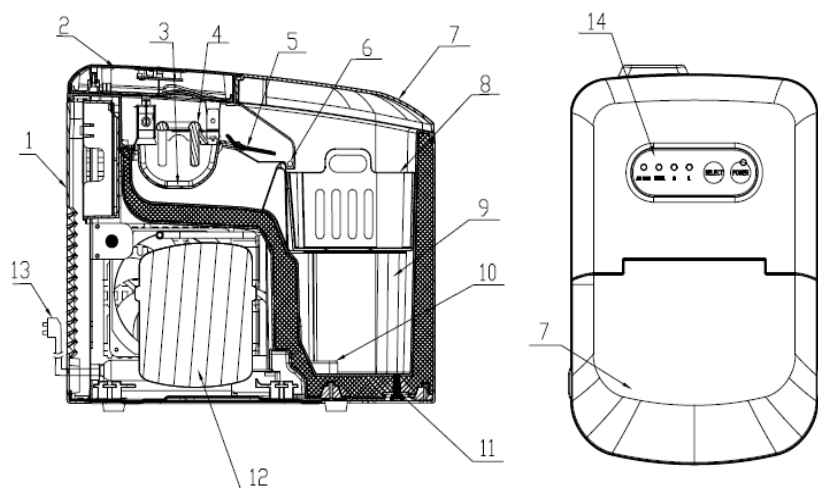
Tipo clima: N/SN

Programma L (cubetti di ghiaccio grandi) = ghiaccio rilasciato ogni 9 minuti

Programma S (cubetti di ghiaccio piccoli) = rilascio di ghiaccio ogni 8 minuti.

È preferibile utilizzare acqua fredda

DESCRIZIONE:



1. Coperchio posteriore
2. Coperchio superiore
3. Vassoio acqua
4. Evaporatore
5. Pala ghiaccio
6. Sensore troppopieno ghiaccio
7. Coperchio trasparente
8. Vassoio ghiaccio
9. Riserva acqua
10. Filtro
11. Tappo di scarico acqua
12. Compressore
13. Cavo di alimentazione
14. Pannello di Controllo

CONTROLLO PANNELLO COMANDI:



L'indicatore POWER lampeggia appena collegato, e quindi la macchina entra stato di standby. Essa inizierà a funzionare premendo il tasto POWER, accompagnato da luce di segnalazione. Durante il funzionamento, se si preme questo pulsante, la macchina tornerà in stato di standby.



Questo pulsante è per la selezione delle dimensioni del ghiaccio. L'impostazione di default è la dimensione grande, se è necessaria la dimensione piccola, premere questo pulsante. Quando si seleziona la dimensione desiderata, l'indicatore segnerà S (piccolo) o L (grande).

Tenere premuto il tasto "SELECT" per 3 secondi per attivare processo di auto-pulizia della condotta, che prende "acqua con la pompa per 30 secondi --- e poi la scarica" come un ciclo, e questo ciclo verrà effettuato 5 volte. Il lampeggio degli indicatori di "S" e "L" avrà luogo in sequenza fino a fine del processo di auto-pulizia e la macchina entra in modalità standby. Togliere il tappo in plastica per drenare l'acqua e quindi tutto il processo è terminato.

○ Quando l'indicatore di questo pulsante diventa rosso, significa che l'acqua nel serbatoio d'acqua è insufficiente, è necessario aggiungere abbastanza acqua e premere POWER per riavviare la macchina.

○ Quando il ghiaccio raggiunge la capacità di stoccaggio massima, l'indicatore di questo tasto lampeggia, e la macchina smetterà di funzionare. Quello che dovete fare è svuotare il ghiaccio, se la posizione di ghiaccio è inferiore alla posizione del sensore di troppopieno, la macchina si riavvia automaticamente.

ISTRUZIONI PER L'USO:

Nota: il serbatoio d'acqua e le tubazioni devono essere ben puliti prima dell'uso.

Fase 1. Staccare la spina e pulire il serbatoio dell'acqua aggiungendo acqua, poi allontanare la spina per drenare l'acqua dal serbatoio dell'acqua.

Fase 2. Reinstallare il tappo di plastica, e aggiungere acqua pulita. Dopo aver collegato l'alimentatore, tenere premuto il pulsante "SELECT" per 3 secondi per attivare processo di auto-pulizia. Dopo la pulizia, scaricare l'acqua rimuovendo tappo in plastica.

Fase 3. Aprire il coperchio ed estrarre il cestello del ghiaccio per aggiungere acqua nel serbatoio dell'acqua.

Nota: L'acqua versata nel serbatoio dell'acqua dovrebbe essere inferiore alla posizione MAX del serbatoio dell'acqua. Quando il volume di acqua va oltre il massimo, si prega di aprire il tappo di scarico acqua in basso per scaricare l'acqua in eccesso. Quindi chiudere il coperchio trasparente.

Fase 4. Selezionare la dimensione desiderata del ghiaccio, la dimensione predefinita della macchina è quella grande.

Nota: Si prega di selezionare la (S) quando la temperatura ambiente è inferiore ai 15 ° C. Quando la temperatura ambiente è superiore ai 30 ° C, sono raccomandati cubetti di grandi dimensioni.

Nota: Per i primi tre cicli, il ghiaccio può essere piccolo e irregolare.

Nota: Quando il vassoio di raccolta del ghiaccio è pieno si prega di rimuovere immediatamente il ghiaccio, non lasciare che il vassoio di raccolta ghiaccio si riempia troppo.

GUIDA PULIZIA & USO:

1. Pulire frequentemente il rivestimento interno, la vaschetta di raccolta del ghiaccio, la scatola acqua, la pala per ghiaccio e l'evaporatore. Durante la pulizia, scollegare l'unità e rimuovere i cubetti di ghiaccio. Utilizzare una soluzione diluita di acqua e aceto per pulire l'interno e la superficie esterna della macchina del ghiaccio. Non spruzzare sulla macchina del ghiaccio sostanze chimiche o agenti diluiti come acidi, benzina o olio. Sciacquare abbondantemente prima di iniziare.

2. Lasciare le aperture di ventilazione nell'involucro dell'apparecchio o nella struttura incorporata, libere da ostruzioni. Non utilizzare dispositivi meccanici o altri mezzi per accelerare il processo di sbrinamento, diversi da quelli consigliati dal produttore.

3. Riutilizzare la macchina dopo averla tenuta ferma per un periodo di tempo prolungato, potrebbe non avere abbastanza acqua, e l'indicatore di "ADD WATER" resterà acceso. A questo punto, è sufficiente premere di nuovo il

tasto POWER, la macchina si resetterà.

4. Per garantire la pulizia del ghiaccio, si prega di cambiare l'acqua nel serbatoio d'acqua almeno una volta un giorno. Se non si utilizza per un lungo periodo, si prega di scaricare l'acqua e ripulirla.

5. Se il compressore subisce un blocco per carenza d'acqua, troppa acqua o interruzione dell'alimentazione elettrica, impiegherà 3min per riavviarsi

6. Utilizzare sempre acqua fresca prima di iniziare la produzione di ghiaccio sia durante l'installazione iniziale che dopo un lungo periodo di non utilizzo.

RISOLUZIONE DEI PROBLEMI:

1. Si noti che, se si verifica un guasto dovuto allo scollegamento del cavo di alimentazione, oppure il pulsante di accensione è stato spinto fuori durante un ciclo di produzione del ghiaccio, alcuni piccoli frammenti di ghiaccio possono formarsi nella pala automatica causando un inceppamento. In questo caso, i pezzetti di ghiaccio possono essere rimossi scollegando il cavo di alimentazione e spingendo delicatamente la pala sulla parte posteriore, a quel punto rimuovere i cubetti di ghiaccio, quindi riavviare.

2. Si prega di verificare se il serbatoio dell'acqua sia piatto quando la pala ghiaccio non riesce a rimuovere il ghiaccio dal contenitore. In caso contrario, spingere la pala ghiaccio delicatamente con le dita, quindi premere il pulsante di alimentazione per riavviare.

PROBLEMA	CAUSA POSSIBILE	SOLUZIONI PROPOSTE
Il compressore funziona in modo anomalo con un ronzio Rumore	La tensione è inferiore a quella consigliata	Arrestare la macchina del ghiaccio e non riavviare fino a quando la tensione non è quella normale.
La spia dell' indicatore di mancanza d'acqua è accesa	1.Non c'è acqua 2.La pompa è piena d'aria	1.Aggiungere acqua fino a raggiungere la posizione MAX 2. Premere il pulsante di accensione per riavviare
Le spie non si accendono	Fusibile bruciato / Assenza di alimentazione	Sostituire il fusibile / Accendere
Il ghiaccio è troppo grande e con pezzi attaccati insieme.	1.La temperatura dell'acqua è troppo bassa 2.Ghiaccio dei cicli precedenti lasciato nella vaschetta	1.Selezionare dimensione piccola 2.Rimuovere il ghiaccio quando in standby
Tutti gli indicatori accesi contemporaneamente	La vaschetta dell'acqua è bloccata da un cubetto di ghiaccio	Scollegare, rimuovere il ghiaccio che blocca il vassoio, quindi collegare l'alimentazione e premere il tasto POWER, la macchina si riavvia in 3 minuti.

AVVERTIMENTO

Riempire solo con acqua potabile.

È normale che la superficie di compressore e condensatore raggiunga temperature tra i 70 ° C e i 90 ° C durante il funzionamento e le zone circostanti possono essere molto calde.

A causa del congelamento veloce, ci ubetti di ghiaccio possono apparire "opachi". Si tratta dell'aria intrappolata nell'acqua e non pregiudica la qualità o il gusto di ghiaccio.

Non immergere in acqua

Avvertimento mantenere le aperture di ventilazione nell'involucro dell'apparecchio o nella struttura libere da ostruzioni.

Avvertimento - non utilizzare dispositivi meccanici o altri mezzi per accelerare il processo di sbrinamento, diversi da quelli consigliati dal costruttore.

Attenzione - non danneggiare il circuito refrigerante.

Avvertimento - non utilizzare apparecchi elettrici all'interno degli scomparti per la conservazione degli alimenti, a meno che non siano del tipo consigliato dal produttore.

GARANZIA

Il periodo di garanzia per i nostri prodotti è di 2 anni, se non diversamente stabilito dalla legge, a partire dalla data di acquisto iniziale o di consegna.

Se avete problemi o domande, potete facilmente accedere alle nostre pagine di aiuto, consigli per la risoluzione dei problemi, FAQ e manuali d'uso sul nostro sito post-vendita: <https://sav.hkoenig.com>.

Digitando il nome di riferimento del tuo dispositivo nella barra di ricerca, puoi accedere a tutto il supporto online disponibile, progettato per soddisfare al meglio le tue esigenze.

Se ancora non riesci a trovare una risposta alla tua domanda o al tuo problema, allora clicca su "La risposta ha risolto il tuo problema? Questo vi porterà al modulo di richiesta di supporto post-vendita, che potete completare per convalidare la vostra richiesta e ottenere aiuto.

CONDIZIONI DI GARANZIA

La garanzia copre tutti i guasti derivanti da un uso normale, in conformità con gli usi e le specifiche del manuale utente.

Questa garanzia non si applica a problemi di imballaggio o di trasporto durante la spedizione del prodotto da parte del proprietario. Non include inoltre la normale usura del prodotto, né la manutenzione o la sostituzione delle parti di consumo.

ESCLUSIONE DELLA GARANZIA

- Accessori e parti soggette a usura (*).
- Normale manutenzione dell'apparecchio.
- Tutti i guasti derivanti da un uso improprio (urti, mancato rispetto delle raccomandazioni sull'alimentazione, cattive condizioni d'uso, ecc.), da una manutenzione inadeguata o da un uso improprio dell'apparecchio, nonché dall'uso di accessori inadeguati.
- Danni di origine esterna: incendio, danni d'acqua, sovratensione elettrica, ecc.
- Qualsiasi attrezzatura che sia stata smontata, anche parzialmente, da persone diverse da quelle autorizzate a farlo (in particolare l'utente).
- Prodotti per i quali il numero di serie è mancante, danneggiato o illeggibile, il che non permetterebbe la sua identificazione.
- Prodotti soggetti a noleggio, dimostrazione o esposizione.

(*) Alcune parti del suo apparecchio, note come parti soggette a usura o materiali di consumo, si deteriorano con il tempo e la frequenza d'uso del suo apparecchio. Questa usura è normale, ma può essere accentuata da cattive condizioni d'uso o di manutenzione del vostro apparecchio. Queste parti non sono quindi coperte dalla garanzia.

Anche gli accessori forniti con l'apparecchio sono esclusi dalla garanzia. Non possono essere scambiati o rimborsati. Tuttavia, alcuni accessori possono essere acquistati direttamente dal nostro sito web: <https://sav.hkoenig.com/>.

AMBIENTE

ATTENZIONE:



Non gettare quest' apparecchio tra i rifiuti domestici. Per questo tipo di prodotti è fornito dai comuni un sistema di raccolta e ritiro in zona ed è quindi un dovere informarsi per conoscere il giusto smistamento del rifiuto. Infatti, i prodotti elettrici ed elettronici possono contenere sostanze pericolose che hanno effetti dannosi sull'ambiente o sulla nostra salute e quindi devono essere riciclati. Il simbolo al lato indica che le apparecchiature elettriche ed elettroniche fanno parte di una raccolta selettiva e differenziata (rappresentata da un bidone su due ruote sbarrato da una croce).



Points de collecte sur www.quefairedemesdechets.fr
Privilégiez la réparation ou le don de votre appareil !