

HKoenig

gsx16

Instruction Manual

Manuel d'instructions
Bedienungsanleitung
Gebruiksaanwijzing
Manual de instrucciones
Manuale d'uso
Instrukcja obsługi



Slow juicer

Extracteur de jus Schleudermaschine
Centrifuge
Centrifugadora
Centrifuga



ENGLISH

INTENDED USE

The appliance is intended for extracting fresh juice from fruit, vegetables and herbs. A large inlet, a food pusher and anti-slip feet ensure convenience during preparation of your favourite juices. This appliance is intended for private indoor home use only and may not be used for professional purposes.

Please follow the instructions contained in this manual for safe installation and use of the appliance. Use only for processing food and foodstuffs.

TECHNICAL DATA

Lot No.	
Model	
Power supply	220-240 V~, 50-60 Hz
Power rating	250 W
Maximum continuous operation time / pause	20 minutes / 30 minutes

IMPORTANT SAFEGUARDS

- Warning! Incorrect operation of the appliance may result in injuries. Be careful when handling the blades, emptying the bowl or cleaning the appliance.
- Always unplug the appliance when it is not supervised, and also before assembly, disassembly or cleaning.
- The appliance must not be used by children. Keep the appliance and the cord out of children's reach.
- Switch off and unplug the appliance before replacing the accessories or touching moving parts.
- Do not operate the appliance continuously for more than 20 minutes.
- If the appliance has been operating for 20 minutes, turn it off and let it cool down for at least 30 minutes before you operate it again.
- Accessories that come into contact with food must be cleaned as described in Section 8 Cleaning and maintenance.

- Use only the original accessories included in the set.
- Regularly check the power cord for damage. If the power cord is damaged, it must be replaced by the manufacturer, an authorized service centre or a qualified individual, so as to avoid hazards and injuries.
- This appliance may be used by persons with reduced physical, sensory or mental capabilities or lack of experience or knowledge, provided that they are supervised or instructed in the safe use of the appliance and that they fully understand the potential hazards.
- This appliance may be used by children of at least 8 years of age, as long as they are supervised and have been given instructions about using the appliance safely and are fully aware of the dangers involved.
- Cleaning and maintenance should not be carried out by children unless they are at least 8 years of age and are supervised by an adult.
- Keep the appliance and its power cord out of reach of children under 8 years of age.
- Make sure that the voltage rating on the typeplate corresponds to your main voltage of your installation. If this is not the case, contact the dealer and do not connect the unit
- Never leave the unit unattended while in operation.
- Children must not play with the appliance.
- Do not use the appliance if the bowl, the cover or another component of the appliance is damaged, or has visible cracks.
- Caution! Warning against improper use of the appliance. Never touch the screw-conveyor shaft during appliance operation.

- Read the entire manual before you start using the appliance.
- The appliance cannot be operated with an external timer or a separate remote control.
- Connect the device to a 220-240 V~ 50-60 Hz alternating current mains.
- To prevent electrocution, do not immerse the plug, the power cord or the base in water or other liquids.
- Do not hang the power cord over a table or sink edge.
- Do not place the appliance near sources of heat: gas water heaters, electric cookers etc.
- This appliance is designed for home use. Do not use the product for purposes other than its intended use.
- Be careful when using the appliance.
- Before starting operation, place the appliance on a stable, flat surface
- Large food products and materials such as paper, cardboard, plastics, metal etc. must not be put into the appliance. If such objects are inserted into the juicer, the strainer may get jammed, which could result in fire or electrocution.
- Do not use the appliance if it has been dropped or shows clear signs of damage.
- Do not push fruit or vegetables into the appliance with your hands! Do not push any foods to be processed with any object other than the supplied pusher.
- Do not insert any hard materials, ice, large seeds or frozen products into the feeder of the juicer.

- Do not overload the appliance with excessive amounts of products or by pushing in food products too forcefully (with the pusher).
- Turn the juicer off immediately if you notice strong vibrations or a decrease in operating speed.
- Do not touch moving components during appliance operation.
- Do not attempt to open or disassemble the base with the motor.
- Wait until the appliance cools down before you insert any parts into or remove any parts from the appliance, and before you start cleaning or repairing the appliance.
- Do not cover the appliance with anything. A fire could be ignited if the appliance is covered or touches a flammable material.
- Make sure not to connect too many electrical appliances to a single circuit.
- Do not insert your hands into the inlet during appliance operation.
- Uncoil the power cord before you start operating the appliance.
- Never use the appliance with accessories other than those recommended in this instruction manual and by the manufacturer. Other accessories may pose a hazard to the user and/or damage the appliance. Use only original accessories.

- The device must not be used if it has been dropped, it obvious signs of damage are visible or if it has leaks.
- Retain the instruction manual and the packaging, if possible.
- An electronic version of the instruction manual can be downloaded from: www.hkoenig.com
- This appliance is intended for use in domestic and similar applications such as :
 - kitchen areas in shops, offices and other working environments
 - farmhouses
 - in hotels, motels and other residential environments
 - guest rooms.
- This appliance may be used by children of at least 8 years of age, as long as they are supervised and have been given instructions about using the appliance safely and are fully aware of the dangers involved.

MEANING OF SYMBOLS



Read the instructions.



Product compliant with the requirements prescribed in the applicable European Union directives.



Disposal of waste electrical and electronic equipment - see the DISPOSAL section of this manual.



Disconnect the appliance from the power source.



Device intended for indoor use.



Recycling code identifying the material from which the packaging is made
– corrugated cardboard.



Product suitable for contact with food.



Trademark indicating that the manufacturer has made a financial contribution to the development & operation of a packaging materials recovery and recycling system.

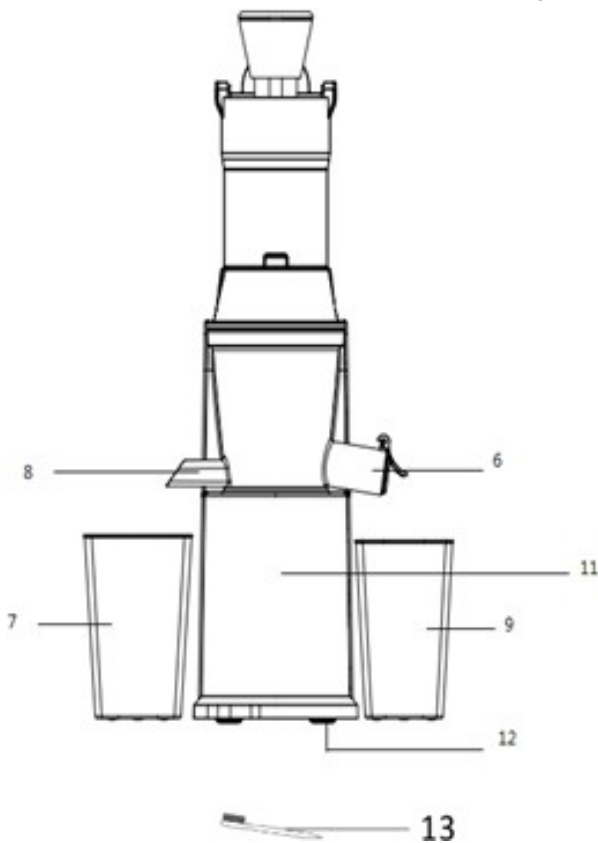
APPLIANCE COMPONENTS

1. Pusher
2. Upper cover
3. Screw-conveyor shaft
4. Stainless steel strainer
5. Bowl

(on the back on the body of the device)

6. Juice outlet with anti-drip stopper
7. Pulp container
8. Pulp outlet

9. Juice container
10. On / Off / Reverse button
11. Base with motor
12. Anti-slip feet
13. Cleaning brush
14. Bowl installation area



KIT CONTENTS

1 x Base with motor 1 x Bowl
1 x Feeder
1 x Screw-conveyor shaft 1 x Pusher
1 x Stainless steel strainer

1 x Juice container 1 x Pulp container 1 x Brush
1 x Instruction manual



Open the package and carefully take the appliance out. Make sure that the set is complete and that its components are undamaged. Check that plastic parts are not broken and the power cord is not damaged. If you find that any components are missing or damaged, contact the vendor and do not use the product. Retain the packaging or dispose of it in accordance with local regulations.

Caution! To keep children safe, do not leave any packaging parts (plastic bags, cardboard boxes, expanded polystyrene elements etc.) freely accessible. Risk of suffocation!

USE

BEFORE FIRST USE

- Unpack the appliance and remove all the elements from the packaging.
- Make sure the power supply parameters of the appliance match the parameters of the local mains.
- Before operating the appliance for the first time, clean it and the accessories as described in section 8 Cleaning and maintenance of this instruction manual

APPLIANCE ASSEMBLY

Before you start assembling the appliance, make sure that the power switch is in the 0 position.

Disconnect the appliance from the power source.

Assemble the screw-conveyor shaft (3) and the stainless steel strainer (4). Turn the screw-conveyor shaft and press it slightly downwards until it fits into the relevant place. Put the components referred to above in the bowl (5). Place the bowl on the base with motor (11), pressing the components gently and rotating them as shown in the picture below.



- Install the upper cover (2) on the bowl.



- Attach it to the appliance by rotating it clockwise until it fits into the relevant place
- Place the juice and pulp containers (7, 9) under the respective outlets.



Caution!

The appliance will not work without the safety lock properly installed.

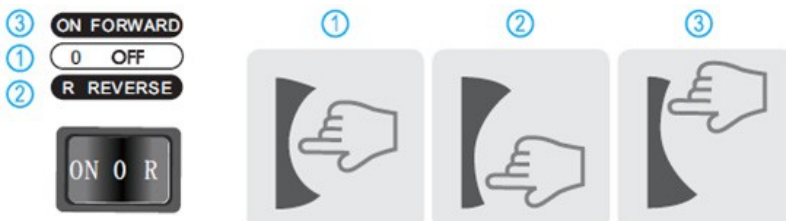
APPLIANCE DISASSEMBLY.

To disassemble the appliance, perform the assembly procedure in the reverse order.

1. Remove the juice container.
2. Remove the feeder from the bowl to activate the safety lock.
3. Remove the bowl from the base.
4. Remove the screw-conveyor shaft with the stainless steel strainer.
5. Turn the stainless steel strainer to the left to remove it.

TURNING THE APPLIANCE ON/OFF

To turn the appliance on, precisely install the feeder on the bowl to release the safety lock. To turn the juicer on, toggle the switch on the top of the body to the ON position.



1. Appliance off position
2. Reverse operation position
3. Appliance on position

PREPARATION OF FRUIT AND VEGETABLES FOR JUICE EXTRACTION

- Use fresh, slightly unripe fruit and vegetables, as they contain more juice.
- Carefully wash the fruit and vegetables from which juice is to be extracted.
- Remove pips/stones from fruit, if present.
- Cut fruit and vegetables into pieces that will easily fit into the inlet.
- It is not necessary to peel all fruit. Only thick skin/rind from fruit/vegetables such as oranges, pineapples or beetroots must be removed. It is also recommended to remove the white part of citrus fruit rind, as it has a bitter taste.
- Apple juice turns brown very quickly. This process can be inhibited by adding several drops of lemon juice to the apple juice.

JUICING

- Make sure that the appliance has been properly assembled and is protected with the safety lock.
- Connect the appliance to a source of power whose parameters match those specified in the rating plate on the appliance.
- Insert the prepared vegetables or fruit into the inlet and push them in with the pusher.

Attention! Before juice extraction, cut the fruit and vegetables into pieces that will fit easily into the inlet.

- After juice extraction is completed, disconnect the appliance from the power source by removing the plug from the outlet socket.

Attention!

When extracting juice, make sure that the bowl does not overflow. If it does, open the juice outlet flap so that the juice can flow down into the container. Place the pulp and juice containers on a stable surface that is easy to clean (as the juice or pulp can be accidentally spilled).

CLEANING AND MAINTENANCE

BASIC RULES

Proper and regular cleaning will ensure safe operation and extend the life span of the device.

Warning!



Before performing cleaning and maintenance operations, turn the appliance off, disconnect it from the power source and let it cool down, so as to avoid burns and electrocution.

- Do not immerse the base with motor in water or other liquids.
- Do not use corrosive cleaning agents.

Attention!

Do not clean the appliance with any chemicals, alkali, abrasive or disinfecting agents, as they may damage the surface of the appliance.

Cleaning the screw-conveyor shaft, the stainless steel strainer, the bowl, and the pulp and juice containers:

- As soon as the appliance cools down after you have finished using it, wash the components in warm water with some dishwashing liquid. All the components must be cleaned no later than 10 minutes after you have finished using the appliance, so as to avoid damage to stainless steel parts and to prevent juice residues from drying out in the appliance, which could cause problems when it is disassembled later. Clean the components carefully, so as not to damage them. Remove food residues from the components with the supplied brush after every use.
- The rubber plug in the bottom part of the bowl should be carefully moved aside to facilitate cleaning. After drying, the plug must be reinstalled in its original position.
- Wipe the appliance or let it dry thoroughly.

CLEANING THE BASE WITH MOTOR

Wipe the base with motor using a slightly damp cloth.

Wipe it dry.

Attention!

Do not immerse the plug, the power cord or the appliance base in water or other liquids.

Attention!

Plastic elements can be cleaned in dishwasher.

REPAIR

The appliance does not contain any user-serviceable parts. Do not attempt to repair the appliance on your own. Always have the appliance repaired by a professional.

If the power cord is damaged, it must be replaced by the manufacturer, a service centre representative, or a properly qualified individual.

STORAGE AND TRANSPORTATION

The appliance must be cleaned as described above and left until it is completely dry. It is recommended that the appliance be stored in its original packaging.

- Always keep the appliance in a dry, well-ventilated location inaccessible to children.
- Protect the appliance against vibration and shock during handling and transport.

DISPOSAL

All the packaging materials are recyclable and labelled as such. The packaging should be disposed of in accordance with local regulations.

Keep the packaging materials out of children's reach, as the materials can pose a hazard.

Correct disposal of the device:



1. According to the WEEE Directive 2012/19/EU, the crossed-out wheellie bin symbol (shown on the left) is used for labelling all electric and electronic devices requiring segregation.
2. Do not dispose of the spent product with domestic waste: hand it over to an electric and electronic device collection and recycling centre. The crossed-out wheellie bin symbol placed on the product, instruction manual or package communicates this requirement.

The materials incorporated in the device can be recycled in accordance with the specific marking. By recycling materials and spent equipment you will help to protect the environment.

Information on electric and electronic devices collection centres is available from local government agencies or from the dealer.

CE DECLARATION

This appliance has been designed, manufactured and marketed in accordance with the requirements of the Low Voltage Directive and the Electromagnetic Compatibility Directive. Therefore, the product has been marked with the CE mark and a declaration of conformity has been issued for it, which is made available to market regulators.

WARRANTY

The warranty period for our products is 2 years, unless otherwise stated, starting from the date of initial purchase or the date of delivery.

If you have any problems or questions, you can easily access our help pages, troubleshooting tips, FAQ, and user manuals on our service site: <https://sav.hkoenig.com>.

By typing the reference name of your device in the search bar, you can access all available online support, designed to best meet your needs.

If you still cannot find an answer to your question or problem, then click on "Did the answer solve your problem?". This will direct you to the Customer Support Request Form, which you can fill out to validate your request and get help.

WARRANTY CONDITIONS

The warranty covers all failures occurring under normal use, in accordance with the usage and specifications in the user's manual.

This warranty does not apply to packaging or transportation problems during shipment of the product by the owner. It also does not include normal wear and tear of the product, nor maintenance or replacement of consumable parts.

EXCLUSION OF WARRANTY

- Accessories and wearing parts (*).
- Normal maintenance of the device.
- All breakdowns resulting from improper use (shocks, failure to comply with power supply recommendations, poor conditions of use, etc.), insufficient maintenance or misuse of the device, as well as the use of unsuitable accessories.
- Damage of external origin: fire, water damage, electrical surge, etc.
- Any equipment that has been disassembled, even partially, by persons other than those authorized to do so (notably the user).
- The products whose serial number would be missing, deteriorated or illegible that would not allow its identification.
- The products subjected to leasing, demonstration, or exhibition.

(*) Some parts of your device, called wear parts or consumables, deteriorate with time and frequency of use of your device. This wear and tear are normal but can be accentuated by poor conditions of use or maintenance of your device. These parts are therefore not covered by the warranty.

The accessories supplied with the device are also excluded from the warranty. They cannot be exchanged or refunded. However, some accessories can be purchased directly through our website: <https://sav.hkoenig.com/>.

ENVIRONMENT

CAUTION:



Do not dispose of this product as it has with other household products. There is a separation of this waste product into communities, you will need to inform your local authorities about the places where you can return this product. In fact, electrical and electronic products contain hazardous substances that have harmful effects on the environment or human health and should be recycled. The symbol here indicates that electrical and electronic equipment should be chosen carefully, a wheeled waste container is marked with a cross.

Adeva SAS / H.Koenig Europe - 8 rue Marc Seguin - 77290 Mitry Mory - France
www.hkoenig.com - sav@hkoenig.com - contact@hkoenig.com - Tél: +33 1 64 67 00 05

FRANCAIS

UTILISATION PRÉVUE

HOFFEN

Cet appareil est conçu pour extraire des jus de fruits frais, des jus de légumes et d'herbes. Une large bouche d'alimentation, un poussoir et des pieds antidérapants assurent une préparation aisée de vos jus préférés.

Cet appareil est destiné uniquement à un usage domestique et ne doit pas être utilisé à des fins professionnelles.

Veillez suivre les instructions contenues dans ce manuel pour une installation et une utilisation sans danger de l'appareil.

À utiliser uniquement pour la préparation des aliments et des denrées alimentaires.

DONNÉES TECHNIQUES

N° de lot	
Modèle	
Alimentation électrique	220-240 V~ 50/60 Hz
Puissance nominale	250 W
Durée maximale de fonctionnement en continu / pause	20 minutes / 30 minutes

MESURES DE SÉCURITÉ IMPORTANTES

- Attention ! Une utilisation incorrecte de l'appareil peut provoquer des blessures. Faites attention lorsque vous manipulez les lames, videz le bol ou nettoyez l'appareil.

- Débranchez toujours l'appareil lorsqu'il n'est pas surveillé, et quand vous le montez/démontez ou le nettoyez.
- L'appareil ne doit pas être utilisé par des enfants. Gardez l'appareil et le cordon hors de la portée des enfants.
- Éteignez et débranchez l'appareil avant de remplacer les accessoires ou de toucher des pièces mobiles.
- Ne faites pas fonctionner l'appareil de manière continue pendant plus de 20 minutes. Si l'appareil a fonctionné pendant 20 minutes, éteignez-le et laissez-le refroidir au moins 30 minutes avant de le remettre en marche.
- Les accessoires qui entrent en contact avec des aliments doivent être nettoyés comme décrit à la section 8 *Nettoyage et entretien*.
- Utilisez uniquement les accessoires d'origine inclus dans le pack.
- Vérifiez régulièrement que le cordon d'alimentation n'est pas endommagé. S'il est abîmé, il doit être remplacé par le fabricant, un centre de service agréé ou une personne qualifiée, afin d'éviter un accident.
- L'appareil peut être utilisé par des personnes ayant des capacités physiques, sensorielles ou mentales réduites ou par des personnes ne disposant pas de l'expérience et des connaissances nécessaires, à condition qu'elles soient surveillées ou qu'elles aient reçu des instructions pour utiliser l'appareil en toute sécurité et qu'elles comprennent les dangers encourus.
- Cet appareil peut être utilisé par des personnes dont

les capacités physiques, sensorielles ou mentales sont réduites ou dont l'expérience ou les connaissances ne sont pas suffisantes, à condition qu'elles bénéficient d'une surveillance ou qu'elles aient reçu des instructions quant à l'utilisation de l'appareil en toute sécurité et qu'elles en comprennent bien les dangers potentiels.

- Le nettoyage et l'entretien ne doivent pas être effectués par des enfants sauf s'ils ont au moins 8 ans et qu'ils sont surveillés par un adulte.
- Gardez l'appareil et son cordon d'alimentation hors de la portée des enfants de moins de 8 ans.
- Assurez-vous que le voltage indiqué sur la plaque signalétique corresponde à la tension principale de votre installation. Si ce n'est pas le cas, contactez le revendeur et ne connectez pas l'appareil au courant.
- Ne laissez jamais l'appareil sans surveillance lorsqu'il est en marche.
- Les enfants ne doivent pas jouer avec cet appareil.
- N'utilisez pas l'appareil si le bol, le couvercle ou un autre composant de l'appareil est endommagé ou présente des fissures visibles.
- Attention ! Avertissement concernant une utilisation incorrecte de l'appareil. Ne touchez jamais la vis sans fin pendant le fonctionnement de l'appareil.
- Lisez l'intégralité du manuel avant de commencer à utiliser l'appareil.
- L'appareil ne peut pas être utilisé avec une minuterie externe ou une télécommande séparée.
- Branchez l'appareil sur un secteur à courant alternatif 220-240 V ~ 50-60 Hz.

- Pour éviter toute électrocution, ne plongez pas la fiche, le cordon d'alimentation ou la base dans de l'eau ou d'autres liquides.
- Ne suspendez pas le cordon d'alimentation au-dessus d'une table ou d'un bord d'évier.
- Ne placez pas l'appareil à proximité de sources de chaleur telles que chauffe-eau au gaz, cuisinières électriques, etc.
- Cet appareil est conçu pour un usage domestique. Ne pas l'utiliser pour un autre usage que celui prévu.
- Soyez prudent lorsque vous utilisez l'appareil.
- Avant de mettre en marche votre appareil, placez-le sur une surface plane et stable
- Les grands morceaux d'aliments et les matériaux tels que le papier, le carton, les plastiques, le métal, etc. ne doivent pas être introduits dans l'appareil. Si de tels objets étaient insérés dans le presse-agrume, le filtre pourrait se boucher, ce qui pourrait provoquer un incendie ou une électrocution.
- N'utilisez pas l'appareil s'il est tombé ou s'il présente des signes évidents de dommage.
- Ne poussez pas de fruits ou de légumes dans l'appareil avec vos mains ! Ne poussez aucun aliment dans le presse-agrume avec un objet autre que le poussoir fourni.
- N'insérez pas de matériaux durs, de glace, de grosses graines ou de produits surgelés dans l'appareil.

- Ne surchargez pas l'appareil de quantités excessives d'aliments ou n'appuyez pas trop fortement (avec le poussoir).
- Éteignez immédiatement l'appareil si vous remarquez de fortes vibrations ou une diminution de la vitesse de fonctionnement.
- Ne touchez pas les pièces en mouvement pendant l'utilisation de l'appareil.
- N'essayez pas d'ouvrir ou de démonter le bloc-moteur.
- Attendez que l'appareil refroidisse avant de monter/démonter des accessoires de l'appareil et avant de commencer à nettoyer ou à réparer le presse-agrumes.
- Ne recouvrez pas l'appareil. Un incendie peut survenir s'il est recouvert ou touche un matériau inflammable.
- Assurez-vous de ne pas connecter trop d'appareils électriques à un seul circuit.
- Ne mettez pas les mains dans la bouche d'alimentation pendant le fonctionnement de l'appareil.
- Déroulez le cordon d'alimentation avant de commencer à utiliser l'appareil.
- N'utilisez jamais l'appareil avec des accessoires autres que ceux recommandés dans ce manuel d'instructions et par le fabricant. D'autres accessoires peuvent constituer un danger pour l'utilisateur et / ou

endommager l'appareil. Utilisez uniquement les accessoires d'origine.

- L'appareil ne doit pas être utilisé s'il est tombé, si des signes évidents de dommages sont visibles ou s'il présente des fuites.
- Conservez le manuel d'instructions et l'emballage, si possible.
- Une version électronique du manuel d'instructions peut être téléchargée sur : www.hkoenig.com
- Cet appareil est destiné à être utilisé dans des applications domestiques et similaires telles que :
 - les zones de cuisine dans les magasins, les bureaux et autres environnements de travail
 - les fermes
 - dans les hôtels, les motels et autres environnements de type résidentiel
 - les chambres d'hôtes.
- Cet appareil peut être utilisé par des enfants âgés d'au moins 8 ans, à condition qu'ils bénéficient d'une surveillance ou qu'ils aient reçu des instructions quant à l'utilisation de l'appareil en toute sécurité et qu'ils comprennent bien les dangers encourus.

SIGNIFICATION DES SYMBOLES



Lire les instructions



Produit conforme aux exigences prescrites dans les directives de l'Union européenne en vigueur.



Mise au rebut des déchets d'équipements électriques et électroniques - voir la section « MISE AU REBUT » de ce manuel.



Débrancher l'appareil de sa source d'alimentation.



Produit approprié pour le contact avec les aliments.



Code de recyclage identifiant le matériau à partir duquel l'emballage est fabriqué - carton ondulé.



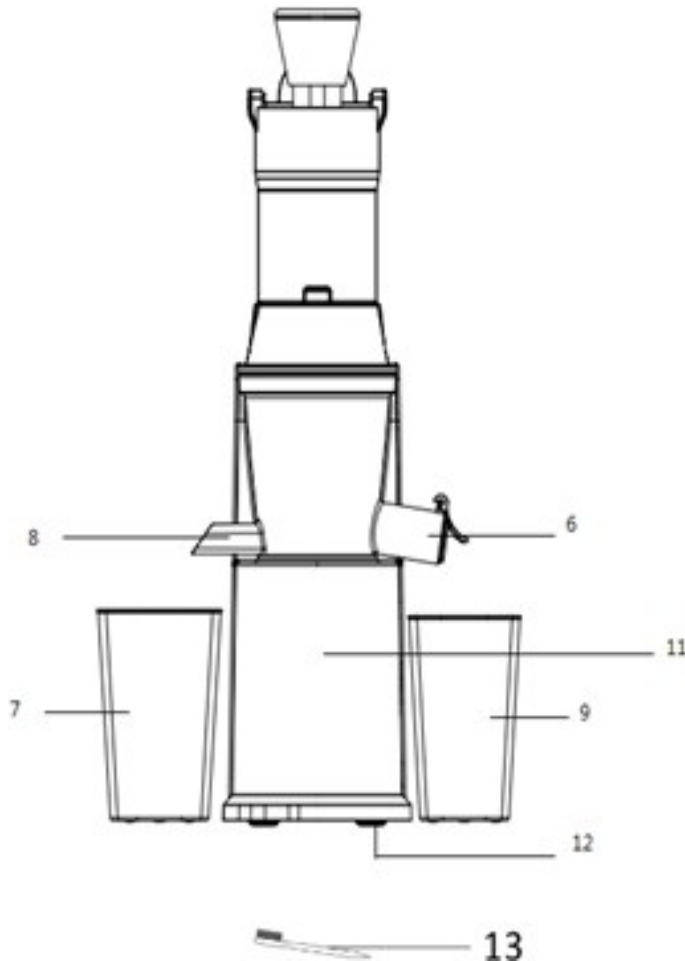
Appareil destiné à une utilisation en intérieur.



Marque commerciale indiquant que le fabricant a investi dans le développement et l'exploitation d'un système de récupération et de recyclage des matériaux d'emballage.

COMPOSANTS DE L'APPAREIL

1. Poussoir
2. Couvercle supérieur
3. Arbre de la vis sans fin
4. Filtre en inox.
5. Bol (au dos sur le corps de l'appareil)
6. Sortie des jus avec bouchon anti-goutte
7. Réservoir à pulpe
8. Sortie de la pulpe
9. Réservoir à jus
10. Bouton On / Off / Marche arrière
11. Bloc-moteur
12. Pieds antidérapants
13. Brosse de nettoyage
14. Logement du bol



CONTENU DU KIT

- 1 bloc-moteur
- 1 bol
- 1 bouche d'alimentation
- 1 vis sans fin
- 1 poussoir
- 1 filtre en inox
- 1 réservoir de jus
- 1 réservoir de pulpe
- 1 brosse
- 1 manuel d'utilisation

Ouvrez l'emballage et sortez l'appareil avec précaution. Assurez-vous que l'appareil soit complet et que ses composants ne soient pas endommagés. Vérifiez que les pièces en plastique ne soient pas cassées et que le cordon d'alimentation ne soit pas endommagé. Si vous constatez que des composants sont manquants ou abîmés, contactez le vendeur et n'utilisez pas le produit. Conservez l'emballage ou éliminez-le conformément à la réglementation locale.



Attention ! Pour protéger les enfants, ne laissez aucune partie de l'emballage (sacs en plastique, boîtes en carton, éléments en polystyrène expansé, etc.) libre d'accès. Risque d'étouffement !

UTILISATION

AVANT LA PREMIÈRE UTILISATION

- Déballez l'appareil et retirez tous les éléments de l'emballage.
- Assurez-vous que les paramètres d'alimentation de l'appareil correspondent à ceux du secteur local.
- Avant la première utilisation de l'appareil, nettoyez-le ainsi que les accessoires comme décrit à la section 8 « Nettoyage et entretien » de ce manuel d'instructions.

ASSEMBLAGE DE L'APPAREIL

Avant de commencer à assembler l'appareil, assurez-vous que l'interrupteur d'alimentation soit en position 0.

Débranchez l'appareil de sa source d'alimentation.

Assemblez l'axe de la vis sans fin (3) avec le filtre en acier inoxydable (4). Tournez l'axe de la vis sans fin et appuyez légèrement vers le bas jusqu'à ce qu'il s'insère bien dans l'emplacement prévu. Placez les composants mentionnés ci-dessus dans le bol (5). Placez le bol sur le bloc-moteur (11), en appuyant doucement sur les composants et en les faisant pivoter comme indiqué sur l'image ci-dessous.



- Installez le couvercle supérieur (2) sur le bol.



- Fixez-le à l'appareil en le tournant dans le sens des aiguilles d'une montre jusqu'à ce qu'il s'insère correctement.



- Placez les réservoirs de jus et de pulpe (7, 9) sous les sorties respectives.

Attention !

L'appareil ne fonctionnera pas sans le verrou de sécurité correctement installé.

DÉMONTAGE DE L'APPAREIL

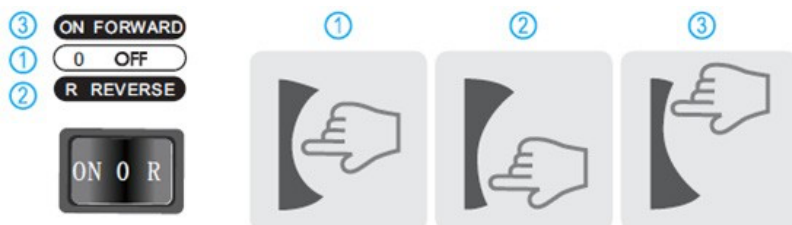
Pour démonter l'appareil, effectuez la procédure d'assemblage dans l'ordre inverse.

- Retirez le réservoir de jus.
- Retirez le chargeur du bol pour activer le verrou de sécurité.
- Retirez le bol du bloc-moteur.
- Retirez la vis sans fin avec le filtre en acier inoxydable.
- Tournez le filtre vers la gauche pour le retirer.

ALLUMER / ÉTEINDRE L'APPAREIL

Pour allumer l'appareil, installez le chargeur avec précision sur le bol pour libérer le verrou de sécurité.

Pour allumer le presse-agrumes, basculez l'interrupteur situé sur la partie supérieure du bloc en position ON.



1. Appareil éteint
2. Marche arrière
3. Marche avant

PRÉPARATION DES FRUITS ET DES LÉGUMES POUR L'EXTRACTION DES JUS

- Utilisez des fruits et des légumes frais, pas trop mûrs, car ils contiennent plus de jus.
- Lavez soigneusement les fruits et les légumes.
- Enlevez les pépins / noyaux des fruits, s'il y en a.
- Coupez les fruits et les légumes en morceaux qui entrent facilement dans le bac d'introduction.
- Il n'est pas nécessaire de peler tous les fruits. Seules les peaux épaisses de fruits / légumes tels que les oranges, les ananas ou les betteraves doivent être éliminées. Il est également recommandé de retirer la partie blanche de la peau des agrumes, car elle a un goût amer.
- Le jus de pomme brunit très vite. Ce processus peut être inhibé en ajoutant plusieurs gouttes de jus de citron au jus de pomme.

FABRICATION DES JUS

- Assurez-vous que l'appareil ait été correctement assemblé et qu'il soit protégé par le verrou de sécurité.
- Connectez l'appareil à une source d'alimentation dont les caractéristiques correspondent à celles indiquées sur la plaque signalétique de l'appareil.
- Mettez les légumes ou les fruits préparés dans le bac d'introduction et enfoncez-les à l'aide du poussoir.

Attention ! Avant l'extraction des jus, coupez les fruits et les légumes en morceaux pour qu'ils pénètrent facilement dans le bac d'introduction.

- Une fois l'extraction du jus terminée, débranchez l'appareil de la source d'alimentation en retirant la fiche de la prise murale.

Attention !

Lors de l'extraction du jus, assurez-vous qu'il ne déborde pas du bol. Si c'est le cas, ouvrez la trappe de sortie du jus afin que le jus puisse couler dans le réservoir. Placez les réservoirs de pulpe et de jus sur une surface stable et facile à nettoyer (le jus ou la pulpe peuvent être renversés accidentellement).

NETTOYAGE ET ENTRETIEN

RÈGLES DE BASE

Un nettoyage approprié et régulier assurera un fonctionnement en toute sécurité et prolongera la durée de vie de l'appareil.

Attention ! Avant d'effectuer des opérations de nettoyage et d'entretien, éteignez l'appareil, débranchez-le de la prise de courant et laissez-le refroidir afin d'éviter des brûlures et une électrocution.

- Ne pas plonger le bloc-moteur dans l'eau ou d'autres liquides.
- Ne pas utiliser de produits de nettoyage corrosifs

Attention !

Ne nettoyez pas l'appareil avec des produits chimiques, des produits alcalins, des agents abrasifs ou des désinfectants, car ils pourraient endommager la surface de l'appareil.

Nettoyage de la vis sans fin, du filtre en acier inoxydable, du bol et des réservoirs de pulpe et de jus :

- Dès que l'appareil a refroidi après l'avoir utilisé, nettoyez les accessoires dans l'eau chaude avec un peu de liquide vaisselle.
- Tous les composants doivent être nettoyés au plus tard 10 minutes après la fin de l'utilisation de l'appareil, afin d'éviter d'endommager les pièces en acier inoxydable et d'éviter que les résidus de jus ne sèchent dans l'appareil, ce qui pourrait poser problème lors du prochain démontage. Nettoyez les composants avec

soin, afin de ne pas les endommager. Éliminez les résidus de nourriture des composants avec la brosse fournie après chaque utilisation.

- Le bouchon en caoutchouc dans la partie inférieure du bol doit être retiré avec précaution pour faciliter le nettoyage. Après séchage, le bouchon doit être réinstallé dans sa position d'origine.
- Essuyez l'appareil ou laissez-le sécher complètement.

NETTOYAGE DU BLOC-MOTEUR

Essuyez le bloc-moteur avec un chiffon légèrement humide.

Essuyez-le pour qu'il soit bien sec.

Attention !

Ne plongez pas la fiche, le cordon d'alimentation ou le bloc-moteur dans de l'eau ou dans tout autre liquide.

Attention !

Les éléments en plastique peuvent être nettoyés au lave-vaisselle.

RÉPARATION

- Cet appareil ne contient aucune pièce réparable par l'utilisateur. N'essayez pas de réparer l'appareil vous-même. Faites toujours réparer l'appareil par un professionnel.
Si le cordon d'alimentation est endommagé, il doit être remplacé par le fabricant, un représentant d'un service technique agréé, ou une personne dûment qualifiée.

STOCKAGE ET TRANSPORT

L'appareil doit être nettoyé comme décrit ci-dessus et laissé jusqu'à ce qu'il soit complètement sec. Il est recommandé de ranger l'appareil dans son emballage d'origine.

- Conservez toujours l'appareil dans un endroit sec et bien ventilé, inaccessible aux enfants.
- Protégez l'appareil des vibrations et des chocs pendant la manipulation et le transport.

MISE AU REBUT

Tous les matériaux d'emballage sont recyclables et étiquetés comme tels. L'emballage doit être éliminé conformément à la réglementation locale.

Conservez les matériaux d'emballage hors de la portée des enfants, car ils risquent de présenter un risque.



Élimination correcte de l'appareil :

- Conformément à la directive DEEE 2012/19 / UE, le symbole représentant une poubelle à roulettes barrée (à gauche) est utilisé pour étiqueter tous les appareils électriques et électroniques nécessitant d'être triés et recyclés.
- Ne jetez pas le produit usagé avec les ordures ménagères : confiez-le à un centre de collecte et de recyclage des appareils électriques et électroniques. Le symbole de la poubelle à roulettes barrée sur le produit, le manuel d'utilisation ou l'emballage indique cette exigence.
- Les matériaux incorporés dans l'appareil peuvent être recyclés conformément à l'**étiquetage** spécifique. En recyclant les matériaux et équipements usagés, vous aiderez à protéger l'environnement.
- Des informations sur les centres de collecte d'appareils électriques et électroniques sont disponibles auprès des municipalités ou chez le revendeur.

DÉCLARATION CE

- Cet appareil a été conçu, fabriqué et commercialisé conformément aux exigences de la directive sur la basse tension et de celle sur la compatibilité électromagnétique. Par conséquent, le produit a été marqué avec l'étiquette CE et une déclaration de conformité a été émise pour celui-ci, qui est mise à la disposition des régulateurs de marché.

GARANTIE

La durée de garantie de nos produits est de 2 ans, sauf décret en vigueur, à compter de la date d'achat initiale ou la date de livraison.

En cas de problèmes ou d'interrogations, vous pouvez facilement accéder à nos pages d'aides, conseils de dépannage, FAQ et modes d'emplois sur notre site SAV : <https://sav.hkoenig.com>.

En tapant le nom de référence de votre appareil dans la barre de recherche, vous accédez à tous les supports en ligne disponibles, conçus pour vous répondre au mieux à vos besoins.

Si vous ne trouvez toujours pas de réponse à votre question ou votre problème, alors cliquez sur « Est-ce que la réponse a résolu votre problème ? ». Vous accéderez alors au formulaire de demande d'assistance SAV, qu'il vous suffira de compléter pour valider votre demande et obtenir de l'aide.

CONDITIONS DE GARANTIE

La garantie couvre l'ensemble des pannes survenant dans le cadre d'une utilisation normale, conforme aux usages et spécifications présentes sur le manuel d'utilisation.

Cette garantie ne s'applique pas aux problèmes d'emballage ou de transport pendant l'expédition du produit par son propriétaire. Elle n'inclut également pas l'usure normale du produit, ni la maintenance ou le remplacement de pièces consommables.

EXCLUSION DE GARANTIE

- Les accessoires et les pièces d'usure (*).
- L'entretien normal de l'appareil.
- Toutes pannes survenant par suite d'une mauvaise utilisation (chocs, non-respect des préconisations d'alimentation électrique, mauvaises conditions d'utilisation, etc.), d'un entretien insuffisant ou d'un détournement de fonction de l'appareil, ainsi que l'usage d'accessoires non appropriés.
- Les dommages d'origine externe : incendie, dégâts des eaux, surtension électrique, etc.
- Tout matériel qui aura été démonté même partiellement par des personnes autres que celles habilitées (notamment l'utilisateur).
- Les produits dont le numéro de série serait absent, détérioré ou illisible que ne permettrait pas son identification.
- Les produits soumis à la location, à la démonstration ou à l'exposition.

(*) Certaines pièces de votre appareil dites pièces d'usure ou consommables se détériorent avec le temps et la fréquence d'usage de votre appareil. Cette usure est normale, mais peut être accentuée par des mauvaises conditions d'utilisation ou entretien de votre appareil. Ces pièces ne sont donc pas couvertes par la garantie.

Les accessoires fournis avec l'appareil sont également exclus du champ de la garantie. Ils ne peuvent donc être ni échangés, ni remboursés. Toutefois, certains accessoires peuvent être directement achetés via notre site : <https://sav.hkoenig.com/>.

ENVIRONNEMENT

ATTENTION :



Vous ne devez pas vous débarrasser de cet appareil avec vos déchets ménagers. Un système de collecte sélective pour ce type de produit est mis en place par les communes, vous devez vous renseigner auprès de votre mairie afin d'en connaître les emplacements. En effet, les produits électriques et électroniques peuvent contenir des substances dangereuses qui ont des effets néfastes sur l'environnement ou la santé humaine et doivent être recyclés. Le symbole ci-contre indique que les équipements électriques et électroniques font l'objet d'une collecte sélective, il représente une poubelle sur roues barrée d'une croix.

Adeva SAS / H.Koenig Europe - 8 rue Marc Seguin - 77290 Mitry Mory - France
www.hkoenig.com - sav@hkoenig.com - contact@hkoenig.com - Tél: +33 1 64 67 00 05

DEUTSCH

VERWENDUNGSZWECK

Das Gerät ist dafür geeignet, ^{HOFFEN}frischen Saft aus Obst, Gemüse und Kräutern zu gewinnen. Eine große Zuführung, ein Lebensmittel-Schieber und Antirutsch-Füße sichern Komfort während der Zubereitung Ihrer Lieblingsäfte.

Dieses Gerät ist ausschließlich für die interne Haushaltsnutzung geeignet und darf nicht für gewerbliche Zwecke benutzt werden.

Befolgen Sie bitte die in diesem Handbuch enthaltenen Anweisungen für eine sichere Installation und Nutzung des Gerätes.

Benutzen Sie das Gerät ausschließlich, um Lebens- und Nahrungsmittel zu verarbeiten.

TECHNISCHE DATEN

Chargen- Nr.	
Model	
Stromversorgung	220-240 V~, 50-60 Hz
Nennleistung	250 W
Maximaler Dauerbetrieb / Pause	20 Minuten / 30 Minuten

WICHTIGE SICHERHEITSANWEISUNGEN

- Warnung! Unsachgemäße Bedienung kann zu Verletzungen führen. Seien Sie vorsichtig, wenn Sie die Klingen handhaben, die Schüssel entleeren oder das Gerät reinigen.
- Ziehen Sie immer den Stecker, wenn das Gerät nicht beaufsichtigt wird, und auch vor der Montage, Demontage und Reinigung.
- Das Gerät darf nicht von Kindern benutzt werden. Bewahren Sie das Gerät und sein Kabel außer Reichweite von Kindern auf.
- Schalten Sie das Gerät aus und ziehen Sie den Stecker, bevor Sie das Zubehör ersetzen oder die beweglichen Teile berühren.
- Bedienen Sie das Gerät nicht ununterbrochen für mehr als 20 Minuten. Wenn das Gerät für 20 Minuten an war, schalten Sie es aus und lassen Sie dieses für mindestens 30 Minuten abkühlen, bevor Sie es erneut bedienen.
- Das Zubehör, das in Kontakt mit Lebensmitteln kommt, muss gemäß der Beschreibung im Abschnitt 8 *Reinigung und Wartung* gereinigt werden.
- Benutzen Sie ausschließlich das zur Verfügung gestellte originale Zubehör.
- Überprüfen Sie regelmäßig das Stromkabel auf Beschädigungen. Wenn das Stromkabel beschädigt ist, muss es von dem Hersteller, einem autorisierten Service-Zentrum oder einer qualifizierten Person ersetzt werden, um Gefahren und Verletzungen zu vermeiden.
- Dieses Gerät kann von Personen mit eingeschränkten körperlichen, sensorischen oder geistigen Fähigkeiten oder mangelnder Erfahrung und Kenntnis benutzt

werden, vorausgesetzt, dass sie beaufsichtigt oder in der sicheren Benutzung des Gerätes unterwiesen werden und die möglichen Gefahren vollständig verstehen.

- Dieses Gerät darf von Kindern über 8 Jahren benutzt werden, wenn sie beaufsichtigt werden oder Anweisungen erhielten, wie das Gerät sicher zu benutzen ist, und kennen die damit verbundenen Gefahren.
- Die Reinigung und Wartung dürfen von Kindern nicht durchgeführt werden, es sei denn Sie sind über 8 Jahre alt und werden von einem Erwachsenen beaufsichtigt.
- Bewahren Sie das Gerät und sein Stromkabel außer Reichweite von Kindern unter 8 Jahren auf.
- Vergewissern Sie sich, dass die auf dem Typenschild angegebene Spannung mit der Hauptspannung Ihrer Einrichtung übereinstimmt. Wenn dies nicht der Fall ist, kontaktieren Sie den Händler und schließen Sie das Gerät nicht an.
- Lassen Sie das Gerät während des Betriebs niemals unbeaufsichtigt.
- Kinder dürfen mit dem Gerät nicht spielen.
- Benutzen Sie das Gerät nicht, wenn die Schüssel, der Deckel oder eine andere Komponente beschädigt ist, oder sichtbare Risse aufweist.
- Achtung! Warnung vor einem unsachgemäßen Gebrauch des Gerätes. Berühren Sie während des Betriebs des Gerätes niemals die Förderschneckenwelle.
- Lesen Sie das komplette Handbuch, bevor Sie das Gerät in Betrieb nehmen.
- Das Gerät kann nicht mithilfe einer externen Schaltuhr oder eines separaten Fernbedienungssystems bedient werden.
- Schließen Sie das Gerät an einem 220-240 V~ 50-60 Hz

Wechselstromnetz an.

- Um einen Stromschlag zu vermeiden, tauchen Sie den Stecker, das Stromkabel oder die Grundlage nicht in Wasser oder andere Flüssigkeiten.
- Lassen Sie das Stromkabel nicht über die Kante eines Tisches oder einer Spüle hängen.
- Platzieren Sie das Gerät nicht in der Nähe von Hitzequellen: Gas-Wassererhitzern, Elektroöfen usw.
- Das Gerät ist für die Haushaltsnutzung geeignet. Benutzen Sie das Produkt nur zum dafür vorgesehenen Zweck.
- Seien Sie vorsichtig, wenn Sie das Gerät benutzen.
- Vor der Bedienung platzieren Sie das Gerät auf einer stabilen, flachen Ebene.
- Große Lebensmittel und Materialien wie z. B. Papier, Pappe, Plastik, Metall, usw. dürfen in dem Gerät nicht platziert werden. Wenn diese Produkte in den Entsafter eingesetzt werden, kann das Sieb blockiert werden, was zu einem Brand oder einem Stromschlag führen kann.
- Benutzen Sie das Gerät nicht, wenn es fallen gelassen wurde oder Anzeichen einer Beschädigung aufweist.
- Schieben Sie das Obst oder Gemüse in das Gerät nicht mit Ihren Händen! Schieben Sie das zu verarbeitende Lebensmittel mit keinen Gegenständen außer des zu Verfügung gestellten Schiebers.

- Setzen Sie keine harten Stoffe, kein Eis, keine großen Samen oder gefrorenen Lebensmittel in die Zuführung des Entsafters ein.
- Überlasten Sie das Gerät nicht mit übermäßigen Mengen des Produkts oder indem Sie die Lebensmittel zu stark (mit dem Schieber) reindrücken.
- Schalten Sie den Entsafter unverzüglich aus, wenn Sie starke Vibrationen oder einen Rückgang in der Betriebsdrehzahl bemerken.
- Berühren Sie während des Betriebs des Gerätes nicht die beweglichen Teile.
- Versuchen Sie nicht, die Grundlage mit dem Motor zu öffnen oder auseinanderzubauen.
- Warten Sie, bis das Gerät abgekühlt ist, bevor Sie jegliche Teile einsetzen oder entnehmen, und bevor Sie mit der Reinigung oder Reparatur des Gerätes anfangen.
- Bedecken Sie das Gerät nicht. Ein Brand kann zustande kommen, wenn das Gerät mit entflammbaren Stoffen bedeckt ist oder in Kontakt kommt.
- Schließen Sie nicht zu viele Elektrogeräte an einen Stromkreis an.
- Setzen Sie Ihre Hände während des Betriebs des Gerätes nicht in die Zuführung ein.
- Wickeln Sie das Stromkabel vor der Bedienung des Gerätes ab.
- Benutzen Sie das Gerät ausschließlich mit dem in diesem Handbuch und von dem Hersteller empfohlenen Zubehör.

Andere Ersatzteile können eine Gefahr für den Nutzer darstellen und/oder das Gerät beschädigen. Benutzen Sie ausschließlich das originale Zubehör.

- Das Gerät darf nicht benutzt werden, wenn es fallen gelassen wurde, sichtbare Anzeichen einer Beschädigung aufweist oder Leckagen hat.
- Bewahren Sie das Handbuch und die Verpackung, wenn möglich, auf.
- Die elektronische Version dieser Bedienungsanleitung kann auf www.hkoenig.com heruntergeladen werden.
- Dieses Gerät ist für die Verwendung in Haushalten und ähnlichen Bereichen vorgesehen, wie z. B.
 - Küchenbereiche in Geschäften, Büros und anderen Arbeitsumgebungen
 - in Bauernhäusern
 - in Hotels, Motels und anderen Wohnbereichen
 - Gästezimmern.
- Dieses Gerät darf von Kindern ab 8 Jahren benutzt werden, sofern diese beaufsichtigt werden oder eine Einweisung in den sicheren Gebrauch des Geräts erhalten haben und die damit verbundenen Gefahren verstehen.

BEDEUTUNG DER SYMBOLE



Lesen Sie die Anweisungen.

Das Produkt ist konform mit den von den gültigen EU Richtlinien vorgeschriebenen Anforderungen.



Trennen Sie das Gerät von der Netzquelle.



Das Produkt ist für den Kontakt mit Lebensmitteln geeignet.



Der Recycling-Code, der das Material kennzeichnet, aus dem die Verpackung gemacht ist- Wellpappe.

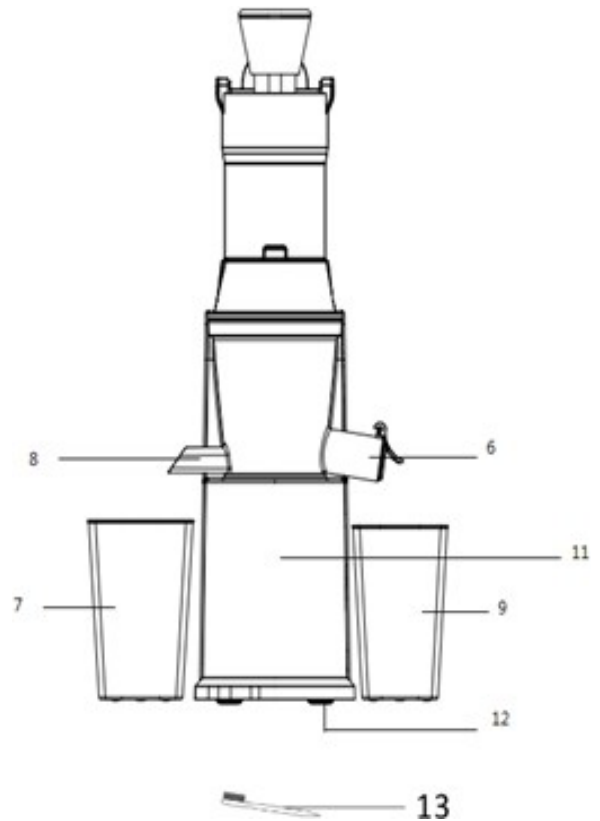


Das Gerät ist für die Nutzung in Innenräumen geeignet.



Das Markenzeichen, durch das der Finanzierungsbeitrag des Herstellers zu der Entwicklung und Funktion des Wiederherstellungs- und Recyclingsystems für die Verpackungsmaterialien gekennzeichnet wird.

KOMPONENTEN DES GERÄTES



1. Schieber
2. Obere Abdeckung

3. Förderschneckenwelle
4. Edelstahl-Sieb
5. Schüssel

(auf der Rückseite des Gerätegehäuses)

6. Saft-Auslass mit einem Antitropf-Verschluss
7. Fruchtfleisch-Behälter
8. Fruchtfleisch-Auslass
9. Saft-Behälter
10. An / Aus/ Rücklauf-Taste
11. Grundlage mit dem Motor
12. Antirutsch-Füße
13. Reinigungsbürste
14. Schüssel-Installationsbereich



SATZ-INHALTE

- 1 x Grundlage mit dem Motor
- 1 x Schüssel
- 1 x Zuführung
- 1 x Förderschneckenwelle
- 1 x Schieber
- 1 x Edelstahl-Sieb
- 1 x Saft-Behälter
- 1 x Fruchtfleisch-Behälter
- 1 x Bürste
- 1 x Bedienungsanleitung

Öffnen Sie die Verpackung und entnehmen Sie vorsichtig das Gerät. Vergewissern Sie sich, dass das Set vollständig ist und dass seine Komponenten unbeschädigt sind. Überprüfen Sie, dass die Plastikteile nicht gebrochen sind und das Stromkabel nicht beschädigt ist. Wenn Sie feststellen, dass eine Komponente fehlt oder beschädigt wurde, kontaktieren Sie den Verkäufer und benutzen Sie das Produkt nicht. Bewahren Sie die Verpackung auf oder entsorgen Sie diese gemäß den lokalen Vorschriften.



Achtung! Um Kinder zu schützen, lassen Sie keine Verpackungsteile (Plastiktüten, Pappkartons, Styropor-Elemente usw.) innerhalb ihrer Reichweite. Erstickungsgefahr!

NUTZUNG

VOR DEM ERSTEN GEBRAUCH

- Packen Sie das Gerät aus und entnehmen Sie alle Elemente aus der Verpackung.
- Vergewissern Sie sich, dass die Angaben zur Stromversorgung des Gerätes mit den Angaben des lokalen Netzes übereinstimmen.
- Bevor Sie das Gerät zum ersten Mal benutzen, reinigen Sie dieses und das Zubehör, wie in dem Abschnitt 8 *Reinigung und Wartung* dieses Handbuches beschrieben ist.

MONTAGE DES GERÄTES

Bevor Sie das Gerät montieren, vergewissern Sie sich, dass der Stromschalter sich in der 0 Position befindet.

Trennen Sie das Gerät von der Stromquelle.

Montieren Sie die Förderschneckenwelle (3) und das Edelstahl-Sieb (4). Drehen Sie die Förderschneckenwelle und drücken Sie diese leicht nach unten, bis diese in die richtige Stelle passt. Platzieren Sie die oben erwähnten Komponenten in der Schüssel (5). Setzen Sie die Schüssel auf die Grundlage mit dem Motor (11) indem Sie die Komponenten leicht drücken und diese drehen, wie auf der untenstehenden Abbildung angezeigt wird.



- Installieren Sie die obere Abdeckung (2) auf der Schüssel.



- Befestigen Sie diese auf dem Gerät, indem Sie sie rechtsläufig drehen, bis diese an die korrekte Stelle kommt.



- Platzieren Sie die Saft- und Fruchtfleisch- Behälter (7,9) unter den entsprechenden Auslässen.

Achtung!

Das Gerät wird nicht funktionieren, ohne dass der Sicherheitsverschluss ordnungsgemäß installiert ist.

DEMONTAGE DES GERÄTES.

Um das Gerät auszubauen, führen Sie den Montagen-Vorgang in umgekehrter Reihenfolge durch.

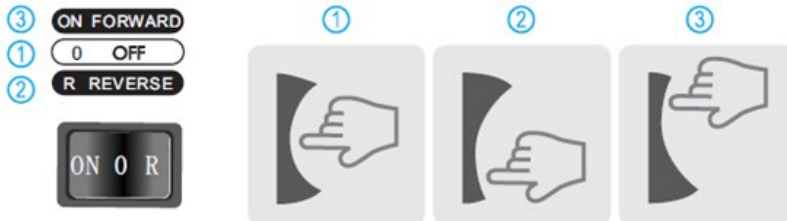
1. Entnehmen Sie den Saft-Behälter.
2. Entfernen Sie die Zuführung von der Schüssel, um den Sicherheitsverschluss zu aktivieren.
3. Entnehmen Sie die Schüssel aus der Grundlage.
4. Entnehmen Sie die Förderschneckenwelle mit dem Edelstahl-Sieb.

5. Drehen Sie das Edelstahl-Sieb linksläufig, um dieses zu entfernen.

DAS GERÄT AN/AUSSCHALTEN

Um das Gerät anzuschalten, installieren Sie die Zuführung genau auf der Schüssel, um den Sicherheitsverschluss freizugeben.

Um den Entsafter anzuschalten, schalten Sie den Regler auf dem Gehäuse in die AN Position um.



1. AUS Position des Gerätes
2. Rückwärtslauf-Position
3. AN Position des Gerätes

VORBEREITUNG DES OBST UND GEMÜSES FÜR DIE ENTSAFTUNG

- Benutzen Sie frisches, unreifes Obst und Gemüse, da diese mehr Saft beinhaltet.
- Spülen Sie das Obst und Gemüse, das für den Saft verwendet wird, sorgfältig ab.
- Entfernen Sie Kerne aus dem Obst, wenn vorhanden.
- Schneiden Sie das Obst und Gemüse in Stücke, die einfach in die Zuführung passen würden.
- Es ist nicht nötig, das ganze Obststück zu schälen. Nur eine dicke Schale/Rinde von dem Obst/Gemüse wie z. B. Orangen, Ananas oder rote Beete muss entfernt werden. Es wird auch empfohlen, die weißen Teile der Zitrusfrüchte-Schale zu entfernen, da diese einen bitteren Geschmack haben.
- Apfelsaft wird sehr schnell braun. Dieser Vorgang kann gehemmt werden, indem man ein paar Tropfen des Zitronensaftes dem Apfelsaft hinzufügt.

ENTSAFTUNG

- Stellen Sie sicher, dass das Gerät ordnungsgemäß montiert wurde und dass es mit dem Sicherheitsverschluss geschützt wird.
- Schließen Sie das Gerät an die Stromquelle, deren Angaben mit den auf dem Typenschild des Gerätes angegebenen Spezifikationen übereinstimmen.
- Setzen Sie das vorbereitete Obst und Gemüse in die Zuführung ein und schieben Sie diese mit dem Schieber.

Achtung! Vor der Entsaftung schneiden Sie das Obst und Gemüse in Stücke, die einfach in die Zuführung passen.

- Nachdem der Entsaftungsprozess abgeschlossen wurde, trennen Sie das Gerät von der Stromquelle, indem Sie den Stecker aus der Steckdose ziehen.

Achtung!

Wenn Sie Saft gewinnen, vergewissern Sie sich, dass die Schüssel nicht überläuft. Wenn dies passiert, öffnen Sie die Saftauslauf-Klappe, so dass der Saft in den Behälter ablaufen kann. Platzieren Sie den Fruchtfleisch- und den Saftbehälter auf einer stabilen Fläche, die einfach zu reinigen ist (da der Saft oder das Fruchtfleisch versehentlich verschüttet werden können).

REINIGUNG UND WARTUNG

GRUNDLIEGENDE REGELN

Ordnungsgemäße und regelmäßige Reinigung wird eine sichere Bedienung ermöglichen und die Lebensdauer des Gerätes verlängern.

Warnung! Bevor Sie die Reinigung und Wartung durchführen, schalten Sie das Gerät aus, trennen Sie dieses vom Stromnetz und lassen Sie es abkühlen, um Verbrennungen und einen Stromschlag zu vermeiden.

- Tauchen Sie die Grundlage mit dem Motor nicht in Wasser oder andere Flüssigkeiten.
- Benutzen Sie keine korrosiven Reinigungsmittel.

Achtung!

Reinigen Sie das Gerät mit keinen Chemikalien, Alkali, abrasiven oder desinfizierenden Mitteln, da diese die Fläche des Gerätes beschädigen können.

Reinigung der Förderschneckenwelle, des Edelstahl-Siebes, der Schüssel, und des Fruchtfleisch- und Saftbehälters:

- Sobald das Gerät nach dem Gebrauch abgekühlt ist, reinigen Sie die Komponenten in warmem Wasser mit etwas Geschirrspülmittel.
- Alle Komponenten müssen innerhalb von 10 Minuten, nachdem der Betrieb des Gerätes abgeschlossen wurde, gereinigt werden, um die Beschädigung der Edelstahl-Teile zu vermeiden und das Austrocknen des Saftrestes auf dem Gerät zu verhindern, was später bei

der Demontage zu Problemen führen könnte. Reinigen Sie alle Komponente vorsichtig, um diese nicht zu beschädigen. Entfernen Sie die Essensreste von den Komponenten mit der vorhandenen Bürste nach jedem Gebrauch.

- Der Gummistopfen auf dem unteren Teil der Schüssel muss vorsichtig zur Seite geschoben werden, um die Reinigung zu erleichtern. Nach dem Trocknen muss der Stopfen in die ursprüngliche Position montiert werden.
- Wischen Sie das Gerät ab oder lassen Sie dieses vollständig trocknen.

REINIGUNG DER GRUNDLAGE MIT DEM MOTOR

Reinigen Sie die Grundlage mit dem Motor mithilfe eines leicht feuchten Tuches.

Wischen Sie das Gerät ab.

Achtung!

Tauchen Sie den Stecker, das Stromkabel oder die Grundlage des Gerätes nicht in Wasser oder andere Flüssigkeiten.

Achtung!

Die Elemente aus Plastik können in der Spülmaschine gereinigt werden.

REPARATUR

Das Gerät beinhaltet keine durch den Anwender zu wartenden Teilen. Versuchen Sie nicht, das Gerät selbständig zu reparieren. Lassen Sie das Gerät immer von einem Spezialisten instandsetzen.

Wenn das Stromkabel beschädigt ist, muss es von dem Hersteller, seinem Dienstleister oder einer ordnungsgemäß qualifizierten Person ersetzt werden.

LAGERUNG UND TRANSPORT

Das Gerät muss wie oben beschrieben gereinigt und trocknen gelassen werden. Es wird empfohlen, das Gerät in der Originalverpackung aufzubewahren.

- Bewahren Sie das Gerät immer an einem trockenen, gut belüfteten Ort außer Reichweite von Kindern auf.
- Schützen Sie das Gerät vor Vibrationen, während der Handhabung und des Transports.

ENTSORGUNG

Alle Verpackungen sind recyclebar und sind als solche markiert.

Die Verpackung muss gemäß lokalen Vorschriften entsorgt werden.

Bewahren Sie die Verpackungsmaterialien außer Reichweite von Kindern auf, da diese eine Gefahr darstellen können.

Korrekte Entsorgung des Gerätes:



Gemäß der EEAG-Richtlinie 2012/19/EU wird das Symbol der durchgestrichenen Mülltonne (links angezeigt) zum Markieren aller elektrischen und elektronischen Geräte benutzt, die eine Trennung erfordern.

Entsorgen Sie das gebrauchte Produkt nicht mit dem Haushaltsmüll: übergeben Sie es an eine Sammel- und Recyclen-Stelle für Geräte. Das Symbol der durchgestrichenen Mülltonne auf dem Produkt, der Bedienungsanleitung oder der Verpackung übermittelt diese Anforderung.

Die im Gerät integrierten Materialien können gemäß den besonderen Markierungen recycelt werden. Indem Sie Materialien und die verbrauchten Geräte recyceln, helfen Sie, die Umwelt zu schützen.

3. Informationen über die Sammelstellen für elektrische und elektronische Geräte finden Sie bei lokalen Behörden oder bei dem Händler.

CE DEKLARATION

Dieses Gerät wurde gemäß den Anforderungen der Niederspannungsrichtlinie und der Vorschrift über elektromagnetische Verträglichkeit entwickelt, hergestellt und vertrieben. Dementsprechend ist das Produkt mit dem CE-Zeichen markiert und von einer Konformitätserklärung begleitet worden, die für die Aufsichtsbehörde verfügbar gemacht worden sind.

GARANTIE

Die Garantiezeit für unsere Produkte beträgt 2 Jahre, sofern keine anderen Bestimmungen gelten, ab dem Datum des ursprünglichen Kaufs oder ab dem Lieferdatum.

Bei Problemen oder Fragen können Sie sich an unsere Hilfeseiten, Tipps zur Fehlerbehebung, FAQs und Bedienungsanleitungen auf unserer Kundendienst-Website wenden:
<https://sav.hkoenig.com>.

Wenn Sie den Referenznamen Ihres Geräts in die Suchleiste eingeben, erhalten Sie Zugang zu allen verfügbaren Online-Supports.

Wenn Sie immer noch keine Antwort auf Ihre Frage oder Ihr Problem finden, dann klicken Sie auf "Hat die Antwort Ihr Problem gelöst?". Sie können dieses Formular ausfüllen, um Ihre Anfrage zu bestätigen und Hilfe zu erhalten.

GARANTIEBEDINGUNGEN

Die Garantie deckt alle Defekte ab, die bei normalem, bestimmungsgemäßem Gebrauch und den in der Bedienungsanleitung enthaltenen Spezifikationen auftreten.

Diese Garantie gilt nicht für Probleme mit der Verpackung oder dem Transport während des Versands des Produkts durch den Eigentümer. Sie umfasst auch nicht den normalen Verschleiß des Produkts, die Wartung oder den Austausch von Verschleißteilen.

AUSSCHLUSS DER GARANTIE

- Zubehör und Verschleißteile (*).
- Die normale Wartung des Geräts.
- Alle Defekte, die durch unsachgemäßen Gebrauch (Stöße, Nichteinhaltung der empfohlenen Stromzufuhr, schlechte Nutzungsbedingungen usw.), unzureichende Wartung oder Zweckentfremdung des Geräts auftreten, sowie die Verwendung von ungeeignetem Zubehör.
- Schäden durch äußere Einflüsse: Brand, Wasserschäden, elektrische Überspannung usw.
- Alle Geräte, die von anderen als den befugten Personen (insbesondere dem Nutzer) auch nur teilweise auseinandergelöst wurden.
- Produkte, deren Seriennummer fehlt, beschädigt oder unleserlich ist, sodass sie nicht identifiziert werden können.
- Produkte, die vermietet, vorgeführt oder ausgestellt werden.

(*). Einige Teile Ihres Geräts, die als Verschleißteile oder Verbrauchsmaterialien bezeichnet werden, verschleiben mit der Zeit und der Häufigkeit der Nutzung Ihres Geräts. Diese Abnutzung ist normal, kann aber durch falsche Nutzung oder Pflege Ihres Geräts noch verstärkt werden. Diese Teile sind daher nicht durch die Garantie abgedeckt.

Das mit dem Gerät gelieferte Zubehör ist ebenfalls von der Garantie ausgeschlossen. Sie können daher weder umgetauscht noch erstattet werden. Einige Zubehörteile können jedoch direkt über unsere Website <https://sav.hkoenig.com/> erworben werden.

UMWELT

ACHTUNG:



Werfen Sie nicht dieses Produkt, wie es mit anderen Haushaltsprodukten hat. Es gibt eine Mülltrennung von diesem Produkt in Gemeinden, Sie müssen Ihre lokalen Behörden über die Orte, wo man dieses Produkt zurückgeben können zu informieren. In der Tat enthalten elektrische und elektronische Produkte gefährliche Stoffe, die schädliche Auswirkungen auf die Umwelt oder die menschliche Gesundheit haben und sollte recycelt werden. Das Symbol hier darauf hinweisen, dass elektrische oder elektronische Geräte sollten sorgfältig ausgewählt werden, ist ein fahrbarer Abfallbehälter mit einem Kreuz markiert.

Adeva SAS / H.Koenig Europe - 8 rue Marc Seguin - 77290 Mitry Mory - France
www.hkoenig.com - sav@hkoenig.com - contact@hkoenig.com - Tél: +33 1 64 67 00 05

NETHERLANDS

BEOOGD GEBRUIK

HOFFEN

Het apparaat is bedoeld voor het persen van vers sap uit fruit, groente en kruiden. Een grote invoer, een voedseldrukker en antislipvoetjes zorgen voor gebruiksgemak tijdens de preparatie van uw favoriete sappen.

Dit apparaat is alleen bedoeld voor privégebruik in huis en is niet bedoeld voor professioneel gebruik.

Volg de instructies die in deze handleiding staan voor een veilige ingebruikname van het apparaat.

Alleen gebruiken voor het verwerken van voedsel.

BELANGRIJKE VEILIGHEIDSREGELS

- Waarschuwing! Verkeerd gebruik van het apparaat kan leiden tot verwondingen. Wees voorzichtig bij het hanteren van de messen, het legen van de kan of het schoonmaken van het apparaat.
- Altijd de stekker uit het stopcontact halen als het apparaat onder toezicht wordt gehouden, voor het in elkaar zetten, uit elkaar halen of het schoonmaken.
- Dit apparaat mag niet worden gebruikt door kinderen. Houd het apparaat en de stroomkabel buiten bereik van kinderen.
- Schakel het apparaat uit en haal de stekker uit het stopcontact voor het vervangen van accessoires of het aanraken van bewegende onderdelen.
- Gebruik het apparaat niet continu langer dan 20 minuten.

- Als het apparaat 20 minuten gebruikt is, schakel deze dan uit en laat het minimaal 30 minuten afkoelen voordat u deze weer gebruikt.
- Accessoires die in contact komen met voedsel moeten worden schoongemaakt zoals beschreven in Sectie 8 Schoonmaken en onderhoud.
- Gebruik alleen de originele accessoires van de set.
- Controleer regelmatig de stroomkabel op beschadigingen. Als de stroomkabel beschadigd is, moet deze worden vervangen door de fabrikant, een servicemonteur of een gelijkwaardig gekwalificeerd persoon om gevaren en verwondingen te vermijden.
- Dit apparaat kan worden gebruikt door personen met verminderde fysieke, zintuiglijke of mentale vermogens of met gebrek aan ervaring of kennis, op voorwaarde dat zij onder toezicht staan of instructies hebben gekregen over het veilige gebruik van het apparaat en dat zij de mogelijke gevaren volledig begrijpen.
- Dit apparaat mag gebruikt worden door kinderen van minimaal 8 jaar als er toezicht wordt gehouden en ze instructies hebben gehad over hoe ze het apparaat moeten gebruiken en ze de gevaren begrijpen.
- Het schoonmaken en onderhoud door de mag niet worden uitgevoerd door kinderen tenzij ze 8 jaar of ouder zijn en er toezicht is.
- Het apparaat en de kabel uit de buurt van kinderen jonger dan 8 jaar houden.
- Controleer dat de aangegeven spanning op het typeplaatje overeenkomt met de spanning van uw spanningsbron. Als dit niet het geval is, neem dan contact op met de dealer en sluit het apparaat niet aan.
- Laat het apparaat nooit onbeheerd achter tijdens gebruik.

- Kinderen mogen niet met dit apparaat spelen.
- Niet het apparaat gebruiken als de kan, de deksel of andere onderdelen beschadigd zijn, of als er zichtbare scheuren zijn.
- Let op! Gebruik het apparaat niet op een verkeerde manier. Nooit de aandrijving aanraken tijdens gebruik.
- Lees de hele handleiding door voordat u het apparaat gebruikt.
- Het apparaat mag niet gebruikt worden met een externe timer of een separate afstandsbediening.
- Sluit het apparaat aan op een 220-240V~50-60 Hz wisselspanning stopcontact.
- Om elektrocutie te vermijden niet het apparaat, stroomkabel of de basis onderdompelen in water of een andere vloeistof.
- Hang de stroomkabel niet over een tafel- of aanrechtrand.
- Plaats het apparaat niet bij warmtebronnen: waterkokers, warmhoudplaatjes, etc.
- Dit apparaat is ontworpen voor huishoudelijk gebruik. Gebruik het apparaat alleen voor het beoogde gebruik.
- Wees voorzichtig bij gebruik van het apparaat.
- Voor gebruik zorgen dat het apparaat op een stabiele, vlakke ondergrond staat.
- Grote stukken voedsel en materialen als papier, karton, plastic, metaal, etc. mogen niet in het apparaat. Als zulke objecten in het apparaat komen, kan de zeef verstopt raken wat tot vuur of elektrocutie kan leiden.
- Niet het apparaat gebruiken als deze is gevallen of er duidelijke tekenen van schade zijn.

- Doe het apparaat niet te vol met overmatige hoeveelheden voedsel en druk het voedsel niet te hard aan (met de voedseldrukker).
- Schakel de juicer meteen uit als u sterke vibraties opmerkt of als de snelheid omlaag gaat.
- Raak geen bewegende onderdelen aan tijdens gebruik.
- Probeer niet de basis te openen of uit elkaar te halen waar de motor zit.
- Wacht tot het apparaat is afgekoeld voor u onderdelen plaatst of verwijdert bij het apparaat, en voordat u het apparaat gaat schoonmaken of repareren.
- Niet het apparaat afdekken. Er kan brand ontstaan als het apparaat afgedekt is of brandbaar materiaal aanraakt.
- Zorg dat u niet te veel elektrische apparaten op dezelfde groep aansluit.
- Steek niet uw handen in de invoer als het apparaat in gebruik is.
- Rol de stroomkabel helemaal af voordat u het apparaat gebruikt.
- Nooit het apparaat gebruiken met andere accessoires dan die die in deze handleiding en door de fabrikant worden aanbevolen. Andere accessoires kunnen gevaar voor de gebruiker en/of schade aan het apparaat opleveren. Gebruik alleen de originele accessoires.
- Het apparaat mag niet gebruikt worden als het gevallen is, als er duidelijk zichtbare schade is of als het lekt.
- Bewaar de handleiding en, indien mogelijk, de verpakking.

- Een digitale versie van de handleiding kan gedownload worden op: www.hkoenig.com
- Dit apparaat is bedoeld voor gebruik in huishoudens en soortgelijke ruimten, zoals:
 - keukenruimten in winkels, kantoren en andere werkomgevingen
 - in boerderijen
 - in hotels, motels en andere woonwijken
 - gastenkamers.
- Dit apparaat mag worden gebruikt door kinderen vanaf 8 jaar en ouder indien dit gebeurt onder toezicht, als zij van tevoren instructies hebben ontvangen betreffende het veilige gebruik van het apparaat en als zij de mogelijke gevaren kennen.

TECHNISCHE DATA

Artikelnr.	
Model	
Stroomvoorziening:	220-240 V~, 50-60 Hz
Vermogen	250 W
Maximaal continuegebruik / 20 minuten / 30 minuten pauze	

BETEKENIS VAN DE SYMBOLEN



Lees alle instructies.



Het product voldoet aan de voorschriften die van de Europese Unie worden gegeven.



Afvoer van afgedankte elektrische apparatuur - zie sectie AFVOER in deze handleiding.

Haal de stekker van het apparaat uit het stopcontact



Het product is geschikt voor gebruik met voedsel.



De recyclingcode geeft aan wat het materiaal is waar de verpakking van is gemaakt – gegolfd karton.

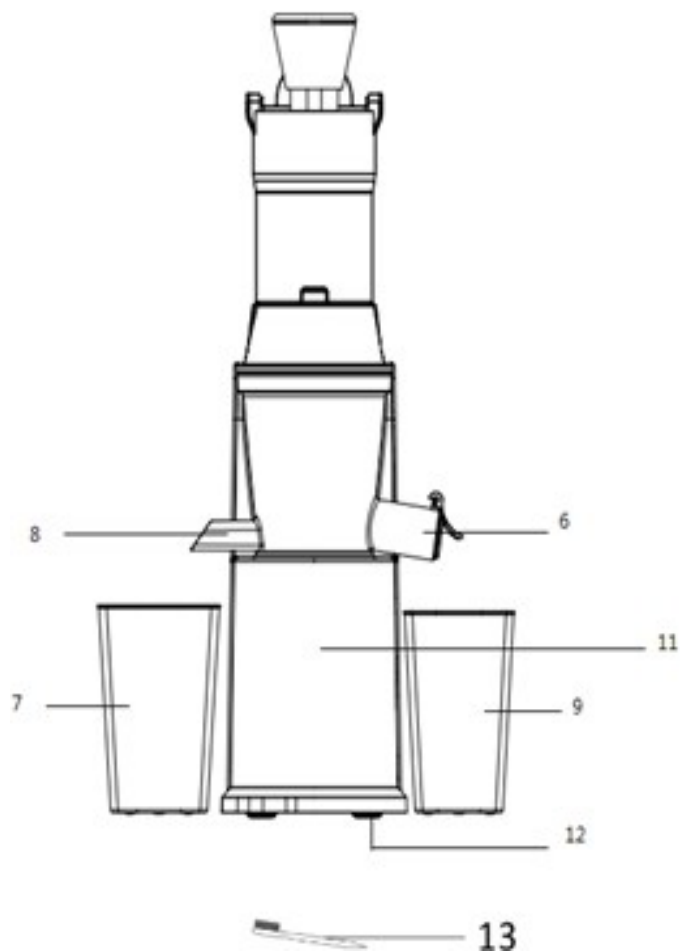


Het apparaat is bedoeld voor gebruik binnen.



Het handelsmerk toont dat de fabrikant een financiële contributie heeft gedaan aan de ontwikkeling en gebruik van het verzamelen van verpakkingsmateriaal en het recycle-systeem.

ONDERDELEN VAN HET APPARAAT



1. Voedsel-drukker
2. Bovenste deksel
3. Aandrijfas
4. Roestvrijstalen zeef
5. Kan
6. (Aan de achterkant van het apparaat)
7. Sapcontainer
8. Aan / Uit / Achteruit knop
9. Basis met motor
10. Antislipvoetjes
11. Schoonmaakborstel
12. Sapuitlaat met drupstopper
13. Vruchtvleescontainer
14. Vruchtvleesuitlaat
15. Plaats kan



INHOUD KIT

- 1 x Basis met motor
- 1 x Kan
- 1 x Invoer
- 1 x Aandrijfas
- 1 x Voedsel-drukker
- 1 x Roestvrijstalen zeef
- 1 x Sapcontainer
- 1 x Vruchtvleescontainer
- 1 x Borstel
- 1 x Gebruikershandleiding

Open voorzichtig de verpakking en haal het apparaat eruit. Controleer dat de set compleet is en dat de onderdelen onbeschadigd zijn. Controleer dat de plastic onderdelen en de stroomkabel niet beschadigd zijn. Als er missende of beschadigde onderdelen zijn, neem dan contact op met de verkoper en gebruik het product niet. Bewaar de verpakking of voer deze af volgens de plaatselijke regelgeving.

Let op! Ter bescherming van kinderen geen verpakkingsmateriaal (plastic zakken, kartonnen dozen, verpakkingsschuim, etc.) laten rondslingeren. Gevaar op verstikking!



GEBRUIK

VOOR HET EERSTE GEBRUIK

Pak het apparaat uit en ontdoe alle onderdelen van verpakkingsmateriaal.

Controleer dat de spanningsbron overeenkomt met de gewenste aansluiting van het apparaat.

Voor het eerste gebruik van het apparaat deze en de accessoires eerst schoonmaken zoals staat beschreven in sectie 8 Schoonmaken en onderhoud van deze gebruikershandleiding.

ASSEMBLAGE VAN HET APPARAAT

Voordat u het apparaat assembleert dient u te zorgen dat de schakelaar op de 0-stand staat.

Haal de stekker uit het stopcontact.

Plaats de aandrijfas (3) en de roestvrijstalen zeef (4). Draai de aandrijfas en druk deze lichtjes naar beneden tot deze op de juiste plek zit. Plaats de onderdelen die hierboven staan aangegeven in de kan (5). Plaats de kan op de basis met motor (11), druk de onderdelen voorzichtig aan en draai ze zoals hieronder aangegeven.



Plaats de bovenste deksel (2) op de kan.



Plaats het op het apparaat door deze met de klok mee te draaien tot deze goed geplaatst is.



Plaats de sap en vruchtvleescontainers (7,9) onder de juiste afvoeren.

Let op!

Het apparaat zal niet werken als de beveiliging niet juist is geplaatst.

UIT ELKAAR HALEN VAN HET APPARAAT.

Om het apparaat uit elkaar te halen, volgt u de assemblage in omgekeerde volgorde.

Verwijder de sapcontainer.

Verwijder de toevoer naar kan om de beveiliging te activeren.

Haal de kan uit de basis.

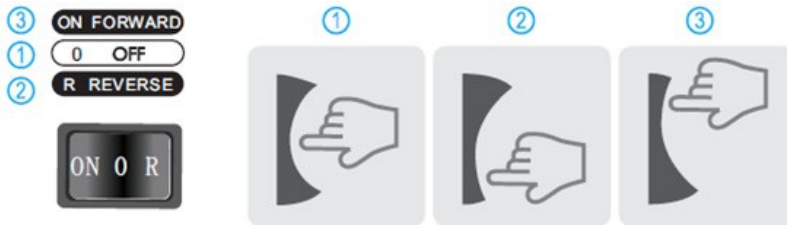
Verwijder de aandrijfjas met de roestvrijstalen zeef.

Draai de roestvrijstalen zeef naar links om deze te verwijderen.

HET APPARAAT IN- OF UITSCHAKELEN

Om het apparaat in te schakelen dient u de toevoer op de kan te plaatsen om de beveiliging te activeren.

Om de juicer in te schakelen dient u de knop op de basis naar de On-stand om te zetten.



1. Apparaat uit-stand.
2. Andersomdraai-stand.
3. Apparaat aan-stand.

PREPARATIE VAN FRUIT EN GROENTE VOOR SAPEXTRACTIE

Gebruik vers, licht onrijp fruit en groente omdat deze meer sap bevatten.

Was het fruit en de groente goed wat geperst gaat worden.

Verwijder pitten uit het fruit, indien aanwezig.

Snijd het fruit en groente in stukken die door de aanvoer passen.

Het is niet noodzakelijk al het fruit te pellen. Alleen de dikke schil/vel van fruit/groente zoals sinaasappels, ananassen of bieten moeten worden verwijderd. Het wordt ook aanbevolen het witte deel van citrusvruchten te verwijderen, omdat dat een bittere smaak geeft.

Appelsap wordt erg snel bruin. Dit proces kan worden voorkomen door een paar druppels citroensap toe te voegen aan de appelsap.

PERSEN

Zorg dat het apparaat correct geassembleerd is en de beveiliging ingeschakeld is.

Sluit het apparaat aan op een spanningsbron die overeenkomt met de aangegeven gegevens op het typeplaatje van het apparaat.

Plaats het voorbereide groente en fruit in de invoer en druk ze aan met de voedseldrukker.

Attentie! Voor het persen eerst het fruit en de groente in stukken snijden **die goed door de invoer passen.**

Als het persen afgerond is, dient u de stekker van het apparaat uit het stopcontact te halen. Attentie!

Bij het persen moet u opletten dat de kan niet overstroomt. Als dit gebeurt, open de sapuitlaat zodat het sap in de container kan stromen. Plaats de vruchtvlies- en sapcontainers op een stabiele ondergrond die makkelijk schoon te maken is (om dat er sap of vruchtvlies gemorst kan worden).

SCHOONMAKEN EN ONDERHOUD

BASISREGELS



Goed en regelmatig schoonmaken zal zorgen voor een veilig gebruik en levensduur van het apparaat verlengen.

Waarschuwing! Voor het schoonmaken en het repareren het apparaat uitschakelen, de stekker uit het stopcontact halen en het af laten koelen om verbrandingen en elektrocutie te vermijden.

Dompel de basis met motor nooit onder in water of een andere vloeistof.

Gebruik geen bijtende schoonmaakmiddelen

Attentie!

Maak het apparaat niet schoon met chemicaliën, basen, zuren of desinfectiemiddelen, omdat die het oppervlak van het apparaat kunnen beschadigen.

Schoonmaken van de aandrijfjas, de roestvrijstalen zeef, de kan en de vruchtvlees- en sapcontainers:

Zodra het apparaat afgekoeld is na het gebruik, was dan de onderdelen in warm water met wat afwasmiddel.

Alle onderdelen dienen niet later dan 10 minuten na gebruik schoongemaakt te worden, om schade aan de roestvrijstalen onderdelen te vermijden en om te voorkomen dat resten sap opdrogen in het apparaat, waardoor deze later moeilijker te verwijderen zijn. Maak de onderdelen voorzichtig schoon zodat er niets beschadigd wordt. Verwijder na elk gebruik de voedselresten met de meegeleverde borstel.

De rubberen plug onderin de kan dient voorzichtig verwijderd te worden om goed schoon te kunnen maken. Na het drogen dient deze plug weer op zijn originele plek geplaatst te worden.

Veeg het apparaat droog of laat deze opdrogen.

SCHOONMAKEN VAN DE BASIS MET MOTOR

Veeg de basis met motor schoon met een licht vochtige doek.

Veeg deze droog.

Attentie!

Niet het apparaat, stroomkabel of basis van het apparaat onderdompelen in water of een andere vloeistof.

Attentie!

Onderdelen van plastic kunnen worden schoongemaakt in de vaatwasser.

REPARATIES

Het apparaat bevat geen onderdelen die de gebruiker kan vervangen. Probeer niet zelf het apparaat te repareren. Laat altijd het apparaat repareren door een professional.

Als de kabel beschadigd is, moet deze worden vervangen door de fabrikant, een onderhoudsmonteur of een geschikt gekwalificeerd persoon.

OPSLAG EN TRANSPORT

Het apparaat dient te worden schoongemaakt zoals hierboven aangegeven en helemaal drooggemaakt worden. Het wordt aanbevolen het apparaat in de originele verpakking op te slaan.

Bewaar het apparaat op een droge, goed geventileerde locatie die niet bereikbaar is voor kinderen.

Bescherm het apparaat tegen vibraties en schokken tijdens het hanteren en transport.

AFVOEREN

Al het verpakkingsmateriaal is recyclebaar en dat staat er ook op. Het verpakkingsmateriaal dient te worden afgevoerd volgens de plaatselijke regelgeving.

Hou het verpakkingsmateriaal buiten bereik van kinderen, omdat de materialen gevaarlijk kunnen zijn.

Het apparaat bevat geen onderdelen die de gebruiker kan vervangen. Probeer niet zelf het apparaat te repareren. Laat altijd het apparaat repareren door een professional.

Als de kabel beschadigd is, moet deze worden vervangen door de fabrikant, een onderhoudsmonteur of een geschikt gekwalificeerd persoon.

OPSLAG EN TRANSPORT

Het apparaat dient te worden schoongemaakt zoals hierboven aangegeven en helemaal drooggemaakt worden. Het wordt aanbevolen het apparaat in de originele verpakking op te slaan.

Bewaar het apparaat op een droge, goed geventileerde locatie die niet bereikbaar is voor kinderen.

Bescherm het apparaat tegen vibraties en schokken tijdens het hanteren en transport.

AFVOEREN

Al het verpakkingsmateriaal is recyclebaar en dat staat er ook op. Het verpakkingsmateriaal dient te worden afgevoerd volgens de plaatselijke regelgeving.

Hou het verpakkingsmateriaal buiten bereik van kinderen, omdat de materialen gevaarlijk kunnen zijn.

Juiste afvoer van het apparaat:



Volgens de AEEA richtlijnen 2012/19/EU wordt de doorgestreepte vuilnisbak (zoals links getoond) gebruikt om aan te geven dat elektronica apart moet worden afgevoerd.

Voer het afgedankte product niet af met huishoudelijk afval: breng het naar een inzamelpunt voor elektronica en recyclecentrum. De doorgestreepte vuilnisbak op het product, handleiding of verpakking komt overeen met dit voorschrift.

De materialen die in het apparaat zijn verwerkt kunnen worden gerecycled volgens de specifieke tekens. Door grondstoffen en afgedankte apparaten te recyclen helpt u het milieu te beschermen.

Informatie over inzamelpunten kunt u krijgen bij uw lokale overheid of bij uw dealer.

CE-DECLARATIE

Dit apparaat is ontworpen, gefabriceerd en verkocht volgens de regelgeving van de Laagspanningsrichtlijn en de Elektromagnetische Richtlijn. Daarom heeft het apparaat een CE-teken en een verklaring van overstemming daarvoor, die beschikbaar gesteld is voor de gereguleerde markten.

GARANTIE

De garantieperiode op onze producten is 2 jaar, tenzij anders vermeld, beginnend vanaf de datum van de initiële aankoop of bezorgdatum.

Als u problemen of vragen heeft, kunt u eenvoudig onze hulppagina's bezoeken voor tips om problemen op te lossen, de FAQ's en andere gebruikershandleidingen op onze website: <https://sav.hkoenig.com>.

Door de referentiernaam van uw apparaat in de zoekbalk te typen, krijgt u toegang tot alle beschikbare online hulpmiddelen, ontworpen om aan uw behoeften te voldoen.

Als u toch niet geen antwoord op uw vraag kunt vinden, klik dan op "Heeft het antwoord uw probleem opgelost? Hierdoor gaat u naar het Aanvraagformulier voor Klantenondersteuning, dat u in kunt vullen om uw verzoek te valideren en hulp te ontvangen.

GARANTIEVOORWAARDEN

De garantie dekt alle mankementen die voortkomen uit normaal gebruik, volgens de sectie gebruik en specificaties in de gebruikershandleiding.

Deze garantie omvat niet verpakkings- of transportproblemen tijdens het vervoer van het product door de eigenaar. Het omvat ook niet de normale slijtage van het product, noch het onderhoud of vervangen van verbruiksartikelen.

UITSLUITINGEN VAN DE GARANTIE

- Accessoires en verbruiksartikelen (*).
- Normaal onderhoud van het apparaat.
- Alle mankementen veroorzaakt door verkeerd gebruik (schokken, het niet opvolgen van de aanbevolen stroomvoorziening, in slechte omstandigheden gebruiken, etc.), onvoldoende onderhoud of ondeugdelijk gebruik van het apparaat, alsook het gebruik van ongeschikte accessoires.
- Schade van buitenaf: vuur, waterschade, elektrische stroompiek, etc.
- Apparaten die uit elkaar zijn gehaald, ook gedeeltelijk, door personen die niet er niet gekwalificeerd voor zijn (zoals de gebruiker).
- Producten waarvan het serienummer verdwenen, beschadigd of onleesbaar is, waardoor we het niet kunnen identificeren.
- Producten die verhuurd werden of ter demonstratie of showmodel waren.

(*) Sommige onderdelen van uw apparaat, genaamd verbruiksartikelen, slijten naar verloop van tijd en bij veel gebruik van uw apparaat. Deze slijtage is normaal, maar kan verergerd worden door slechte omstandigheden of onderhoud van uw apparaat. Deze onderdelen worden daarom niet gedekt door de garantie.

De accessoires meegeleverd met het apparaat zijn ook uitgesloten van de garantie. Ze kunnen niet vervangen of gerestitueerd worden. Echter, sommige accessoires zijn te koop via onze website: <https://sav.hkoenig.com/>.

MILIEU

ATTENTIE:



Dit apparaat mag niet met uw ander huishoudelijke toestellen worden verwijderd. Dit product moet op een geselecteerde stortplaats verwijderd worden. U kunt bij de gemeente een indiceerde plaats aanvragen. Elektrisch en elektronische producten kunnen gevaarlijke stoffen inhouden die schadelijk zijn voor mensen en het milieu en moet recycled worden. Het symbool aan de kant geeft aan dat het een elektrisch en elektronisch toestel is en zijn dus artikelen van een selectieve collectie. Het beeld geeft een afvalbak met een X teken aan.

Adeva SAS / H.Koenig Europe - 8 rue Marc Seguin - 77290 Mitry Mory - France
www.hkoenig.com - sav@hkoenig.com - contact@hkoenig.com - Tél: +33 1 64 67 00 05

SPANISH

USO PREVISTO

HOFFEN

Este aparato está destinado a extraer jugo fresco de frutas, verduras y hierbas. Cuenta con una entrada suficientemente grande, un empujador de alimentos y patas antideslizantes que garantizan la preparación de sus jugos favorito con comodidad.

El extractor de jugos es para uso exclusivamente doméstico. No lo utilice para otro propósito que no sea el previsto. No es apto para fines comerciales.

Lea cuidadosamente este manual de instrucciones antes de usar el electrodoméstico y guárdelo en un lugar seguro para posibles consultas en el futuro.

Utilizar solo para procesar alimentos.

DATOS TÉCNICOS

Lote N°.	
Modelo	
Fuente de Alimentación	220-240 V ~ 50-60 Hz
Potencia Nominal	250 W
Tiempo máximo de funcionamiento continuo / pausa	20 minutos / 30 minutos

MEDIDAS DE SEGURIDAD IMPORTANTES

¡Advertencia! El funcionamiento incorrecto del aparato puede provocar lesiones. Tenga cuidado al manipular las cuchillas, al vaciar el recipiente o hacer la limpieza.

- Siempre desenchufe el cable del tomacorriente cuando pretenda desatender el extractor mientras esté en uso, antes de armarlo o desarmarlo y antes de efectuar su limpieza.
 - Este extractor no debe ser usado por niños pequeños. Mantenga al extractor y su cable de alimentación fuera del alcance de los niños.
 - Siempre desenchufe el cable de alimentación del tomacorriente antes de colocar o retirar cualquier componente del extractor de jugos.
 - No opere el extractor continuamente por más de 20 minutos. Si el mismo ha estado funcionando durante 20 minutos, apáguelo y deje que se enfríe al menos 30 minutos antes de volver a utilizarlo.
 - Los accesorios que entran en contacto con los alimentos deben limpiarse como se describe en la Sección 8 (Limpieza y mantenimiento).
 - Utilice únicamente los accesorios originales incluidos en el kit.

- Compruebe regularmente el cable de alimentación para detectar daños. Si el cable de alimentación está deteriorado, deberá ser reemplazado por un especialista cualificado para evitar riesgos, o deberá encaminar la juguera a un centro de servicios técnicos autorizado para su reparación.
- Este extractor de jugos puede ser utilizado por personas con discapacidad física, sensorial o motora, o con falta de experiencia y conocimiento, siempre que sean supervisados o hayan recibido instrucciones para el uso seguro del extractor y entienden los peligros involucrados.
- Este aparato puede ser utilizado por personas con capacidades físicas, sensoriales o mentales reducidas o con falta de experiencia o conocimientos, siempre que sean supervisadas o instruidas en el uso seguro del aparato y que entiendan perfectamente los peligros potenciales.
- La limpieza y el mantenimiento no deben ser realizados por niños, a menos que sean mayores de 8 años y estén supervisados por un adulto.
- Mantenga al extractor y su cable de alimentación fuera del alcance de los niños menores de 8 años.
- Asegúrese de que el enchufe del cable de

alimentación sea compatible con el tomacorriente y también que la tensión en el tomacorriente se corresponda con la indicada en la placa de características del extractor. Si este no es el caso, no conecte el aparato y póngase en contacto con el distribuidor.

- Nunca deje el extractor de jugos desatendido mientras esté en funcionamiento.
- Los niños no deben jugar con el extractor de jugos.
- No utilice el extractor de jugos si el recipiente, la tapa u otro componente de este, está dañado o tiene grietas visibles.
- ¡Precaución! Nunca toque el exprimidor durante el funcionamiento del aparato.
- Lea atentamente todas las instrucciones en este manual antes de utilizar su extractor de jugos.
- Este extractor de jugos no está diseñado para ser operado con un temporizador externo o un control remoto.
- Conecte el extractor de jugos a una red de corriente alterna de 220-240 V ~ 50-60 Hz.
- Para evitar choques eléctricos, no sumerja el enchufe, el cable de alimentación o la base en agua u otros líquidos.

- No cuelgue el cable de alimentación sobre el borde de la mesa.
- No coloque el aparato cerca de fuentes de calor: calentadores de agua, cocinas eléctricas, fogón de gas, etc.
- El extractor de jugos es para uso exclusivamente doméstico. No lo utilice para otro propósito que no sea el previsto.
- Tenga cuidado al utilizar su extractor de jugos.
- Coloque el extractor de jugos sobre una superficie plana, nivelada y estable.
- No se deben colocar en el aparato productos alimenticios grandes, ni materiales como papel, cartón, plásticos, metales, etc. Si dichos objetos se insertan en el extractor de jugos, el filtro podría atascarse, pudiendo provocar un incendio.
- No utilice el extractor de jugos si se ha caído o muestra signos claros de daños.
- Nunca use sus dedos ni ningún otro objeto (tal como una espátula) que no sea el empujador suministrado para introducir frutas o verduras.
- Este extractor de jugos no es adecuado para procesar alimentos duros, tales como hielo, semillas

grandes o productos congelados.

- No sobrecargue el aparato con cantidades excesivas de productos o empuje los productos alimenticios con demasiada fuerza (con el empujador).
- Si nota fuertes vibraciones o una disminución en la velocidad de operación, apague el extractor de jugos inmediatamente.
- No toque las piezas móviles durante el funcionamiento del aparato.
- No intente abrir o desmontar la base del motor.
- Espere hasta que el extractor de jugos se enfríe antes de insertar o de retirar cualquier pieza, y antes de limpiarlo o repararlo.
- No cubra el extractor de jugo con nada. Puede provocar un incendio si el aparato está cubierto o toca un material inflamable.
- Asegúrese de no conectar demasiados aparatos eléctricos a un solo circuito.
- No introduzca las manos en el recipiente durante el funcionamiento del aparato.
- Antes de usar el extractor de jugos desenrolle totalmente el cable de alimentación.
- Nunca use el extractor de jugos con accesorios que no sean los recomendados en este manual o por el

fabricante. Otros accesorios pueden suponer un peligro para el usuario y/o dañar el aparato. Utilice únicamente accesorios originales.

- No utilice el extractor de jugos si se ha caído, si hay signos evidentes de daño o si tiene fugas.
- Conserve el manual de instrucciones y el embalaje, si es posible.
- La versión electrónica del manual de instrucciones está disponible en: www.hkoenig.com.
- Este aparato está destinado al uso en hogares y áreas similares, como :
 - zonas de cocina en tiendas, oficinas y otros entornos de trabajo
 - en casas de campo
 - en hoteles, moteles y otras zonas residenciales
 - habitaciones de huéspedes.
- Este aparato puede ser utilizado por niños de al menos 8 años de edad, siempre que cuenten con supervisión y hayan recibido instrucciones sobre el uso seguro del electrodoméstico y sean plenamente conscientes de los peligros que implica.

SIGNIFICADO DE LOS SIMBOLOS



Lea las instrucciones



Producto que cumple con los requisitos prescritos en las directivas aplicables de la Unión Europea.



Eliminación responsable de residuos de equipos eléctricos y electrónicos: consulte la sección **ELIMINACIÓN CORRECTA**.



Desconecte el aparato del tomacorriente.



Producto adecuado para el contacto con alimentos.



Código de reciclaje que identifica el material a partir del cual se realiza el embalaje: cartón corrugado.

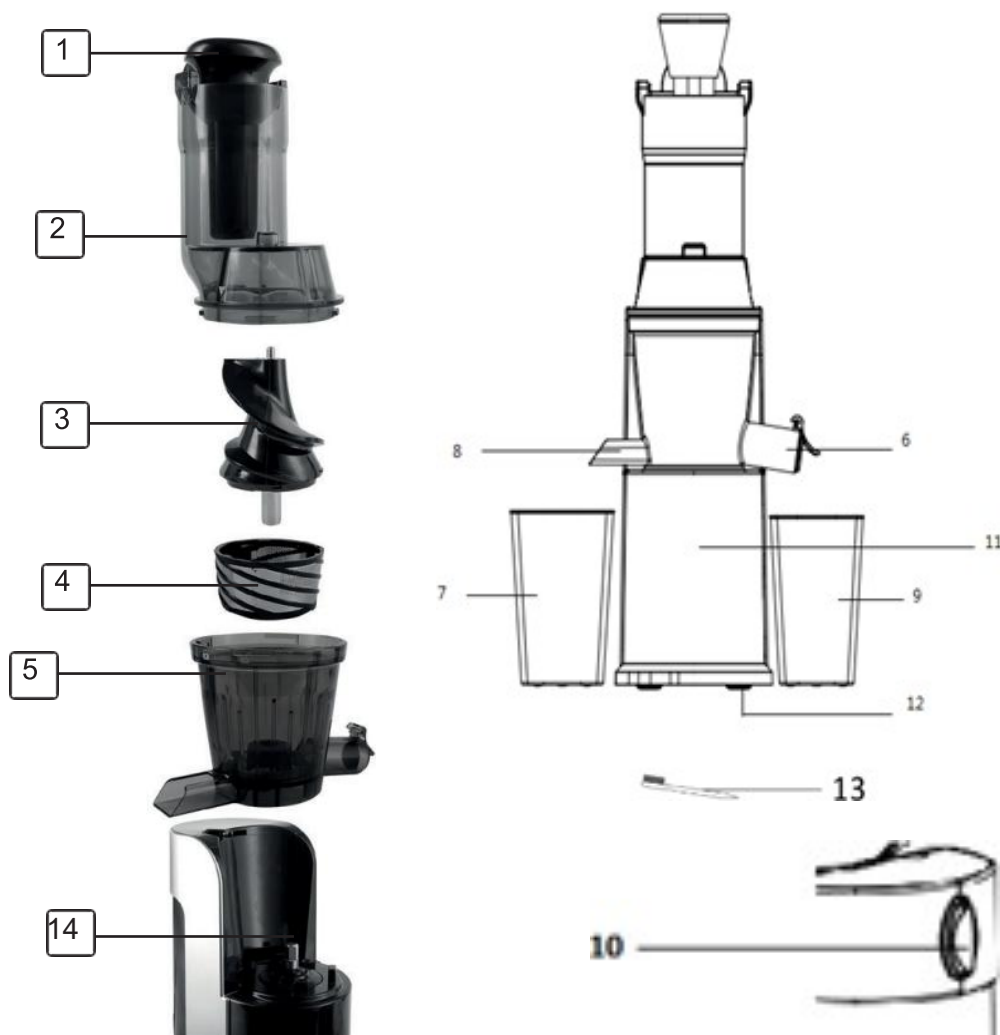


Aparato destinado para uso en interiores.



Marca comercial que indica que el fabricante ha realizado una contribución financiera al desarrollo y operación de un sistema de recuperación y reciclaje de materiales de embalaje.

DESCRIPCIÓN DEL PRODUCTO



1.	Empujador
2.	Cubierta superior
3.	Exprimidor
4.	Filtro de acero inoxidable
5.	Recipiente
6.	Salida del jugo, con tapón antigoteo
7.	Colector de pulpa
8.	Salida de la pulpa
9.	Jarra para el jugo
10.	Interruptor ON/OFF/Reverso
11.	Base del motor
12.	Patas antideslizantes
13.	Cepillo de limpieza
14.	Área de instalación del recipiente.

CONTENIDO DEL KIT

1 x Base con motor	1 x Filtro de acero inoxidable
1 x Recipiente	1 x Jarra de jugo
1 x Cubierta superior	1 x Colector de pulpa
1 x Exprimidor	1 x Cepillo
1 x Empujador	1 x Manual de instrucciones

Abra el paquete y saque con cuidado el extractor de jugos. Asegúrese de que el kit esté completo y de que los componentes no estén dañados. Compruebe que las piezas de plástico no estén rotas y que el cable de alimentación no esté dañado. Si descubre que algún componente falta o está dañado, no utilice el extractor de jugos y póngase en contacto con el proveedor. Conserve el embalaje o deséchelo de acuerdo con las regulaciones locales.



¡Precaución! Para garantizar la seguridad de sus hijos, mantenga todo el material de embalaje (bolsas de plástico, cajas, poliestireno, etc.) fuera de su alcance. ¡Riesgo de asfixia!

ANTES DEL PRIMER USO

- Desembale el extractor de jugos y retire todo el material de embalaje.
- Antes de conectar el extractor, asegúrese de que el enchufe del cable de alimentación sea compatible con el tomacorriente y también que la tensión en el tomacorriente se corresponda con la indicada en la placa de características del extractor de jugos.
- Antes de operar el extractor de jugos por primera vez, límpielo como se describe en la Sección 8 (Limpieza y mantenimiento) de este manual de instrucciones.

MONTAR EL EXTRACTOR DE JUGOS

Antes de comenzar a ensamblar el extractor de jugos, asegúrese de que el interruptor esté en la posición "0". Desconéctelo de la fuente de alimentación. Ensamble el eje del exprimidor (3) y el filtro de acero inoxidable (4). Gire el exprimidor y presiónelo ligeramente hacia abajo hasta que encaje en el lugar correspondiente. Coloque los componentes mencionados anteriormente en el recipiente (5). Coloque el recipiente en la base del motor (11), presionando suavemente y girando como se muestra en la siguiente imagen.



Instale la cubierta superior (2) en el recipiente.



Acóplelo al aparato girándolo en el sentido de las agujas del reloj hasta que encaje en el lugar correspondiente.



Coloque el colector de pulpa y la jarra de jugo (7, 9) debajo de las salidas respectivas.

¡Precaución! El aparato no funcionará sin el bloqueo de seguridad correctamente instalado.

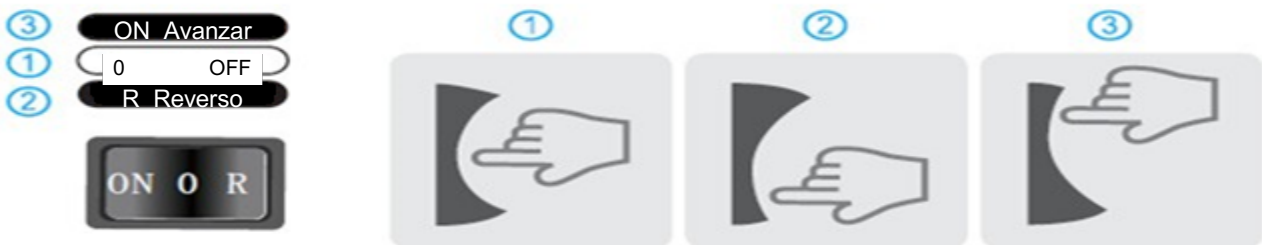
DESMONTAR EL EXTRACTOR DE JUGOS

Para desmontar el extractor de jugos, realice el procedimiento de montaje en orden inverso.

1. Retire el colector de pulpa y la jarra de jugo.
2. Retire la cubierta superior del recipiente para activar el anillo de bloqueo de seguridad.
3. Retire el recipiente de la base.
4. Retire el exprimidor con el filtro de acero inoxidable.
5. Gire el filtro de acero inoxidable hacia la izquierda para retirarlo.

INTERRUPTOR DE CONTROL ON/OFF

Para encender el extractor de jugos, instale con precisión la cubierta superior en el recipiente para liberar el anillo de bloqueo de seguridad. Mueva el interruptor a la posición "ON" para funcionamiento normal.



1. Apagado.
2. Presione para detener la extracción.
3. Funcionamiento normal.

PREPARANDO LAS FRUTAS Y VERDURAS PARA LA EXTRACCIÓN DEL JUGO

- Use frutas y verduras frescas, ligeramente verdes, ya que contienen más jugo.
- Lave cuidadosamente las frutas y verduras de las que se va a extraer el jugo.
- Cualquier semilla/carozo debe ser eliminada por adelantado.
- Lave los alimentos y córtelos en pedazos lo suficientemente pequeños como para pasar a través de la entrada.
- No es necesario pelar toda la fruta. Sólo debe eliminarse la piel gruesa de las frutas/verduras como naranjas, piñas o remolachas. También se recomienda eliminar la parte blanca de la cáscara de los cítricos, ya que tiene un sabor amargo.
- El jugo de manzana se vuelve marrón muy rápidamente. Este proceso puede inhibirse agregando varias gotas de jugo de limón.

PREPARANDO JUGOS

- Asegúrese de que el extractor de jugos se haya montado correctamente y que el anillo de bloqueo de seguridad esté activado.

- Conecte el extractor de jugos a un tomacorriente cuya tensión se corresponda con la indicada en la placa de características de este.
- Coloque las frutas o verduras preparadas en la entrada e introdúzcalas con la ayuda del empujador.

¡Atención! Antes de extraer el jugo, corte las frutas y verduras en pedazos lo suficientemente pequeños como para pasar a través de la entrada.

- Una vez que termine de extraer el jugo, desconecte el aparato retirando el enchufe del tomacorriente.

¡Atención! Cuando esté operando el extractor de jugos, asegúrese de que el recipiente no se desborde. Si lo hace, abra el tapón antigoteo de la salida del jugo para que este pueda fluir hacia la jarra. Coloque el colector de pulpa y la jarra para el jugo sobre una superficie estable y que sea fácil de limpiar (ya que el jugo o la pulpa pueden derramarse accidentalmente).

LIMPIEZA Y MANTENIMIENTO

REGLAS BÁSICAS



La limpieza adecuada y regular garantizará un funcionamiento seguro y prolongará la vida útil de su extractor de jugos.

¡Advertencia! Antes de realizar la limpieza o el mantenimiento del extractor de jugos, asegúrese de apagarlo y desconectarlo del tomacorriente. Siempre deje que se enfríe para evitar quemaduras.

- Nunca sumerja la base principal del motor dentro del agua.
- No usar detergentes abrasivos para lavar el extractor de jugos.

¡Atención! Nunca utilice productos químicos, álcali, abrasivos o desinfectantes para limpiar el extractor de

jugos, ya que pueden dañar la superficie del mismo.

Limpieza de los componentes (extractor, filtro de acero inoxidable, recipiente, colector de pulpa y jarra para el jugo):

- Deje enfriar el aparato después de usarlo. Lave los componentes en agua tibia con un poco de detergente para lavar platos.
- Todos los componentes deben lavarse a más tardar 10 minutos después de haber terminado de usar el extractor de jugos, para evitar daños en las piezas de acero inoxidable y evitar que los residuos se sequen, lo que podría causar problemas cuando se desmonte más tarde. Limpie los componentes con cuidado, para no dañarlos. Use el cepillo para retirar los residuos de alimentos.
- Mueva con cuidado el tapón de goma que se encuentra en la parte inferior del recipiente hacia un lado para facilitar la limpieza. Después de que el recipiente esté seco, reinstale el tapón en su posición original.
- Después de lavar los componentes, deje que se seque completamente.

Limpieza de la base del motor:

- Utilice un paño ligeramente húmedo para limpiar la

base del motor.

- Séquela.

¡Atención! No sumerja el enchufe, el cable de alimentación o la base del extractor de jugos en agua u otros líquidos.

¡Atención! Los elementos de plástico se pueden limpiar en el lavavajillas.

REPARACIÓN

Este extractor de jugos no contiene piezas reparables por el usuario. No intente repararlo por su cuenta. Póngase en contacto con un técnico de servicio calificado. Si el cable de alimentación está deteriorado, deberá ser reemplazado por el fabricante, su agente de servicios técnicos o una persona debidamente calificada para evitar riesgos.

TRANSPORTACIÓN Y ALMACENAMIENTO

El extractor de jugos debe limpiarse como se describe anteriormente y debe dejarse secar completamente antes de almacenarlo.

- Se recomienda guardar el aparato en su embalaje original.
- Almacene en un lugar seco y bien ventilado, inaccesible para los niños.
- Durante la manipulación y el transporte, protéjalo contra vibraciones y golpes.

ELIMINACIÓN CORRECTA

Todos los materiales de embalaje son reciclables y deben desecharse de acuerdo con las regulaciones locales. Para garantizar la seguridad de sus hijos, mantenga todo el material de embalaje fuera de su alcance.

FORMA CORRECTA DE ELIMINAR ESTE ELECTRODOMÉSTICO:



De acuerdo con la Directiva WEEE 2012/19/EU, el símbolo del contenedor con ruedas tachado (que se muestra a la izquierda) se usa para etiquetar todos los dispositivos eléctricos y electrónicos que requieren segregación.

- Al final de la vida útil de su electrodoméstico, no lo descarte junto con la basura doméstica del hogar: entréguelo a un centro de reciclaje y recolección de dispositivos eléctricos y electrónicos.

- Para evitar posibles daños al medio ambiente o la salud humana por causa de la eliminación inadecuada de desechos, recicle los materiales incorporados en el aparato de acuerdo con la marca específica para promover la reutilización sostenible de recursos materiales.
- Para obtener más información al respecto, comuníquese con las agencias gubernamentales locales de su lugar de residencia o con su distribuidor donde adquirió el producto.

DECLARACIÓN DE CONFORMIDAD CE

Este electrodoméstico ha sido diseñado, fabricado y comercializado de acuerdo con los requisitos de la Directiva de baja tensión y la Directiva de compatibilidad electromagnética. Por lo tanto, lleva la marca CE y se ha emitido una declaración de conformidad para el mismo, que se pone a disposición de los organismos reguladores del mercado.

GARANTÍA

El periodo de garantía de nuestros productos es de 2 años, salvo que la ley estipule lo contrario, a partir de la fecha de la compra inicial o de la fecha de entrega.

Si tiene algún problema o pregunta, puede acceder fácilmente a nuestras páginas de ayuda, consejos para solucionar problemas, preguntas frecuentes y manuales de usuario en nuestro sitio de servicio: <https://sav.hkoenig.com>.

Al escribir el nombre de referencia de su dispositivo en la barra de búsqueda, puede acceder a toda la asistencia en línea disponible, diseñada para satisfacer mejor sus necesidades.

Si sigue sin encontrar una respuesta a su pregunta o problema, haga clic en "¿La respuesta ha resuelto su problema? Esto le llevará al formulario de solicitud de asistencia posventa, que puede rellenar para validar su solicitud y obtener ayuda.

CONDICIONES DE GARANTÍA

La garantía cubre todos los fallos que se produzcan en el contexto de un uso normal, de acuerdo con los usos y especificaciones del manual de usuario.

Esta garantía no se aplica a los problemas de embalaje o transporte durante el envío del producto por parte del propietario. Tampoco incluye el desgaste normal del producto, ni el mantenimiento o la sustitución de piezas consumibles.

EXCLUSIÓN DE GARANTÍA

- Accesorios y piezas de desgaste (*).
- Mantenimiento normal del aparato.
- Todas las averías derivadas de un uso incorrecto (golpes, incumplimiento de las recomendaciones de alimentación eléctrica, malas condiciones de uso, etc.), de un mantenimiento insuficiente o de un mal uso del aparato, así como del uso de accesorios inadecuados.

- Daños de origen externo: incendio, daños por agua, sobrecarga eléctrica, etc.
- Cualquier equipo que haya sido desmontado, incluso parcialmente, por personas que no estén autorizadas a hacerlo (en particular el usuario).
- Productos cuyo número de serie falte, esté dañado o sea ilegible, lo que no permitiría su identificación.
- Productos sujetos a alquiler, demostración o exposición.

(*) Algunas piezas de su aparato, conocidas como piezas de desgaste o consumibles, se deterioran con el tiempo y la frecuencia de uso de su aparato. Este desgaste es normal, pero puede acentuarse por las malas condiciones de uso o de mantenimiento de su aparato. Por lo tanto, estas piezas no están cubiertas por la garantía.

Los accesorios suministrados con el aparato también están excluidos de la garantía. No se pueden cambiar ni reembolsar. No obstante, algunos accesorios pueden adquirirse directamente en nuestro sitio web: <https://sav.hkoenig.com/>

MEDIO AMBIENTE

ATENCIÓN:



No se deshaga de este producto como lo hace con otros productos del hogar. Existe un sistema selectivo de colecta de este producto puesto en marcha por las comunidades, debe de informarse en su ayuntamiento acerca de los lugares en los que puede depositar este producto. De hecho, los productos eléctricos y electrónicos pueden contener sustancias peligrosas que tienen efectos nefastos para el medio ambiente o para la salud humana y deben ser reciclados. El símbolo aquí presente indica que los equipos eléctricos o electrónicos deben de ser cuidadosamente seleccionados, representa un recipiente de basura con ruedas marcado con una X.

Adeva SAS / H.Koenig Europe - 8 rue Marc Seguin, 77290 Mitry-Mory, France
www.hkoenig.com - sav@hkoenig.com - contact@hkoenig.com - Tél: +33 1 64 67 00 05

ITALIANO

DESTINAZIONE D'USO

HOFFEN

L'apparecchio è progettato per l'estrazione di succo fresco di frutta, verdura ed erbe. Un'ampia apertura, un pusher per cibo e i piedini antiscivolo assicurano praticità durante la preparazione dei vostri succhi preferiti.

Questo apparecchio è destinato solo per uso privato in casa e al coperto e non può essere utilizzato per scopi professionali.

Si prega di seguire le istruzioni contenute in questo manuale per un'installazione sicura e per l'uso dell'apparecchio.

Utilizzare solo per la trasformazione e prodotti alimentari.

DATI TECNICI

Lot No.	
Modello	
Alimentazione elettrica	220-240 V ~, 50-60 Hz
Livello di potenza	250 W
tempo massimo di funzionamento continuo / pausa	20 minuti / 30 minuti

MISURE DI SICUREZZA IMPORTANTI

- Avvertimento! Un uso scorretto dell'apparecchio può causare lesioni. Fare attenzione quando si maneggiano le lame, quando si svuota il contenitore o durante la pulizia dell'apparecchio.
- Scollegare sempre l'apparecchio quando non è sorvegliato e anche prima di montaggio, smontaggio o pulizia.
- L'apparecchio non deve essere utilizzato da bambini. Mantenere l'apparecchio e il cavo fuori dalla portata dei bambini.
- Spegnerne l'interruttore e scollegare l'apparecchio prima di sostituire gli accessori o le parti mobili.
- Non utilizzare l'apparecchio per più di 20 minuti. Se l'apparecchio è in funzione da 20 minuti, spegnerlo e lasciarlo raffreddare per almeno 30 minuti prima di utilizzarlo di nuovo.
- Gli accessori che vengono a contatto con gli alimenti devono essere puliti come descritto nella Sezione 8 Pulizia e manutenzione.
- Usare solo gli accessori originali inclusi nel set.
- Controllare regolarmente che il cavo di alimentazione non sia danneggiato. Se il cavo di alimentazione è danneggiato, deve essere sostituito dal costruttore, da un centro di assistenza autorizzato o da una persona qualificata, in modo da evitare pericoli e lesioni.
- L'apparecchio può essere utilizzato da persone con

ridotte capacità fisiche, sensoriali o mentali, oppure da persone senza esperienza e senza le conoscenze necessarie, a condizione che essi siano controllati o sono stati istruiti su come utilizzare gli apparecchi in modo sicuro, e ne comprendano i pericoli connessi.

- Questo apparecchio può essere usato da persone con ridotte capacità fisiche, sensoriali o mentali o con mancanza di esperienza o conoscenza, a condizione che siano sorvegliate o istruite sull'uso sicuro dell'apparecchio e che comprendano pienamente i potenziali pericoli.
- La pulizia e la manutenzione non devono essere eseguite da bambini a meno che non abbiano almeno 8 anni di età e siano sorvegliati da un adulto.
- Mantenere l'apparecchio e il cavo di alimentazione fuori dalla
 - dalla portata dei bambini sotto gli 8 anni di età.
 - Assicurarsi che la tensione sulla targhetta corrisponda alla tensione principale del vostro impianto elettrico. Se non corrispondono, contattare il rivenditore e non collegare l'unità
 - Non lasciare mai l'unità incustodita durante il funzionamento.
 - I bambini non devono giocare con l'apparecchio.
 - Non utilizzare l'apparecchio se la ciotola, il coperchio o un altro componente sono danneggiati, o hanno crepe visibili.
- **Attenzione!** Avvertimento contro l'uso improprio

dell'apparecchio. Non toccare l'albero a vite durante il funzionamento dell'apparecchio.

- Leggere l'intero manuale prima di usare l'apparecchio.
- L'apparecchio non può funzionare con un timer esterno o un telecomando separato.
- Collegare il dispositivo a una rete di corrente alternata 220-240 V ~ 50-60 Hz.
- Per evitare folgorazioni, non immergere la spina, il cavo o la base in acqua o altri liquidi.
- Non lasciare che il cavo di alimentazione penda da un tavolo o entri in contatto con bordi taglienti.
- Non posizionare l'apparecchio vicino a fonti di calore: scaldabagni a gas, cucine elettriche etc.
- Questo apparecchio è progettato per l'uso domestico. Non utilizzare il prodotto per scopi diversi da quelli previsti.
- Fare attenzione quando si utilizza l'apparecchio.
- Prima di avviare il funzionamento, posizionare l'apparecchio su una superficie stabile e piana.
- I prodotti alimentari di grandi dimensioni e materiali quali carta, cartone, plastica, metallo, ecc non devono essere messi nell'apparecchio. Se tali oggetti vengono inseriti nell'estrattore, il filtro può incepparsi, il che potrebbe provocare incendi o elettrocuzione.

- Non inserire materiali duri, ghiaccio, semi di grandi dimensioni o prodotti surgelati nell'estrattore.
- Non sovraccaricare l'apparecchio con quantità eccessive di prodotti o spingendo i prodotti alimentari con troppa forza (con il dispositivo di spinta).
- Spegnere l'estrattore immediatamente se si notano forti vibrazioni o una diminuzione della velocità di funzionamento.
- Non toccare i componenti in movimento durante il funzionamento dell'apparecchio.
- Non tentare di aprire o smontare la base con il motore.
- Attendere che l'apparecchio si raffredda prima di inserire o rimuovere tutte le parti dall'apparecchio e prima di iniziare la pulizia o la manutenzione dell'apparecchio.
- Non coprire l'apparecchio. Potrebbe verificarsi un incendio se l'apparecchio è coperto o tocca un materiale infiammabile.
- Assicurarsi di non collegare troppi apparecchi elettrici su un singolo circuito.
- Non inserire le mani nella presa durante il funzionamento dell'apparecchio.

- Srotolare il cavo di alimentazione prima di utilizzare l'apparecchio.
- Non utilizzare mai l'apparecchio con accessori diversi da quelli raccomandati in questo manuale di istruzioni e dal produttore. Altri accessori possono rappresentare un pericolo per l'utente e / o danneggiare l'apparecchio. Utilizzare solo accessori originali.
- Il dispositivo non deve essere utilizzato se è stato fatto cadere, ha evidenti danni o se ha perdite.
- Conservare il manuale di istruzioni e l'imballaggio, se possibile.
- Una versione elettronica del manuale di istruzioni può essere scaricata sul sito: www.hkoenig.com
- - cucine di negozi, uffici e altri ambienti di lavoro
 - in case coloniche
 - in alberghi, motel e altre aree residenziali
 - nelle camere degli ospiti.
- Questo apparecchio può essere utilizzato da bambini a partire da 8 anni, purché sorvegliati e istruiti all'uso sicuro dell'apparecchio e pienamente a conoscenza dei pericoli che comporta.

SIGNIFICATO DEI SIMBOLI



Leggere le istruzioni.



Prodotto conforme ai requisiti prescritti dalle direttive dell'Unione Europea.



Smaltimento di apparecchiature elettriche ed elettroniche - vedere la sezione smaltimento di questo manuale.



Scollegare l'apparecchio dalla fonte di alimentazione.



Prodotto adatto al contatto con alimenti.



Codice di identificazione riciclaggio del materiale di cui è fatto il confezionamento - cartone ondulato.

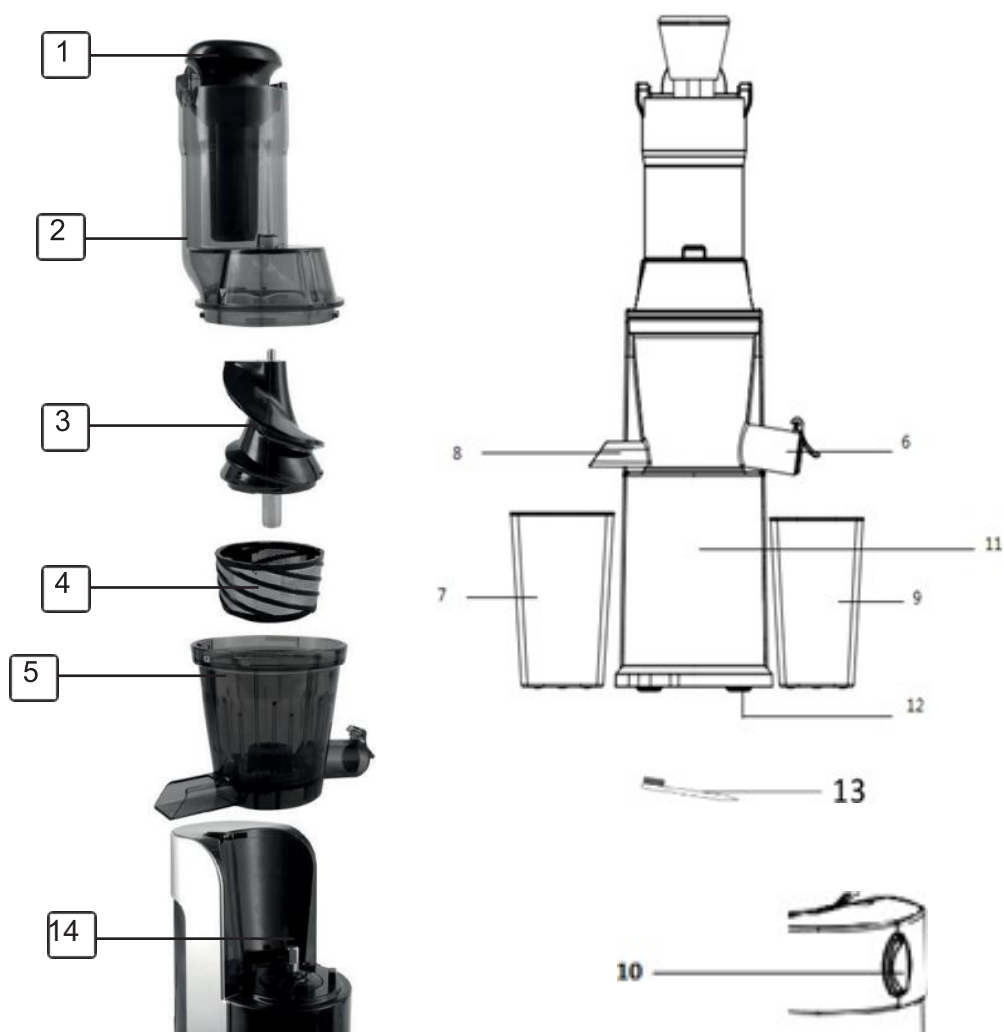


Dispositivo destinato per uso interno.



Marchio di fabbrica che indica che il produttore ha dato un contributo finanziario per lo sviluppo e il funzionamento di un recupero dei materiali di imballaggio e di riciclaggio.

Componenti dell'apparecchio



1. Pusher
2. Coperch o superiore
3. Albero rotante
4. Colino in acciaio inox
5. Ciotola
6. Uscita succo con antigoccia
7. Conrenitore
8. Presa
9. Contenitore di succo
10. Pulsante On/Off/indietro
11. Base con motore
12. Piedini antiscivolo
13. Spazzola per la pulizia
14. Zona installazione brocca

CONTENUTO DEL KIT

1 x base con motore	1 x filtro in acciaio inox
1 x Brocca	1 x contenitore succo
1 x Alimentatore	1 x Contenitore scarti
1 x Albero rotante	1 x Spazzola
1 x Pusher	1 x manuale di istruzioni

Aprire la confezione ed estrarre con attenzione l'apparecchio. Assicurarsi che il set sia completo e che i suoi componenti non siano danneggiati. Controllare che le parti di plastica non siano rotte e che il cavo di alimentazione non sia danneggiato. Se ci sono componenti mancanti o danneggiati, contattare il fornitore e non utilizzare il prodotto. Conservare la confezione o disporne in conformità alla normativa vigente.



Attenzione! Per la sicurezza dei bambini, non lasciare componenti di imballaggio (sacchetti di plastica, scatole di cartone, elementi in polistirolo espanso, ecc) liberamente accessibili. Pericolo di soffocamento!

USO

PRIMA DELL'USO

- Scartare l'apparecchio e rimuovere tutti gli elementi dalla confezione.
- Assicurarsi che i parametri di alimentazione dell'apparecchio corrispondano ai parametri della propria rete elettrica.
- Prima di utilizzare l'apparecchio per la prima volta, pulirlo insieme agli accessori come descritto nel capitolo 8 Pulizia e manutenzione di questo manuale di istruzioni.

MONTAGGIO DELL'APPARECCHIO

Prima di iniziare il montaggio dell'apparecchio, assicurarsi che l'interruttore di accensione si trovA nella posizione 0.

Scollegare l'apparecchio dalla fonte di alimentazione.

Assemblare l'albero rotante/convogliatore (3) e il filtro in acciaio inossidabile (4). Ruotare l'albero a trasportatore e premere leggermente verso il basso fino a che si inserisce nella relativa sede.

Mettere i componenti di cui sopra nella brocca(5). Mettere la brocca sulla base con motore (11), premendo i componenti delicatamente e ruotandoli come mostrato nella foto qui sotto.



- Installare il coperchio superiore (2) sul contenitore.



- Attaccarlo alla macchina ruotandolo in senso orario fino ad inserirlo nella relativa sede.



- Posizionare il contenitore di succo e polpa (7, 9) alle rispettive sedi.

Attenzione!

L'apparecchio non funziona senza il blocco di sicurezza installato correttamente.

SMONTAGGIO APPARECCHIO

Per smontare l'apparecchio, eseguire la procedura di assemblaggio in ordine inverso.

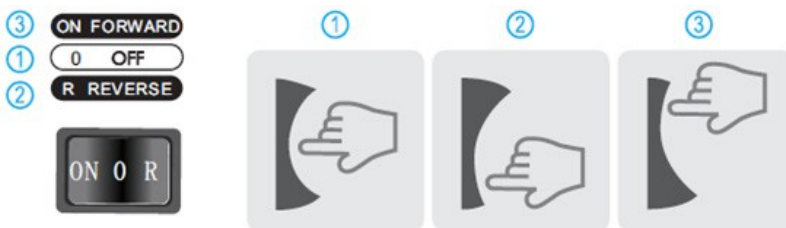
- Rimuovere il recipiente.
- Rimuovere l'alimentatore dalla ciotola per attivare il blocco di sicurezza.

- Rimuovere la brocca dalla base.
- Rimuovere l'albero convogliatore con il filtro in acciaio inox.
- Girare il filtro in acciaio inox a sinistra per rimuoverlo.

ACCENSIONE DELL'APPARECCHIO ON / OFF

Per accendere l'apparecchio, installare in modo corretto l'alimentatore sul contenitore per rilasciare il blocco di sicurezza.

Per attivare la centrifuga, spostare l'interruttore sulla parte superiore del corpo in posizione ON.



1. Apparecchio in posizione off
2. Posizione di funzionamento inversa
3. Apparecchio in posizione

PREPARAZIONE DI FRUTTA E VERDURA PER L'ESTRAZIONE DI SUCCO

- Utilizzare frutta e verdura fresca, un po' acerba, in quanto contiene più succo.
- Lavare accuratamente la frutta e la verdura da lavorare.
- Rimuovere i noccioli, se presenti.
- Tagliare frutta e verdura in pezzi che possano entrare facilmente nell'estrattore.
- Non è necessario sbucciare tutta la frutta. Solo la buccia spessa / scorza di frutta / verdura come arance, ananas o barbabietole devono essere rimossi. Si consiglia anche di rimuovere la parte bianca della buccia di agrumi, in quanto ha un gusto molto amaro.
- Il succo di mela diventa marrone molto velocemente. Questo processo può essere inibito con l'aggiunta di alcune gocce di succo di limone al succo di mela.

Estrazione

- Assicurarsi che l'apparecchio sia stato assemblato correttamente ed è protetto con dal blocco di sicurezza.
- Collegare l'apparecchio ad una sorgente di alimentazione la cui parametri corrispondono quelli specificati nella targhetta sull'apparecchio.
- Inserire le verdure o la frutta preparati nell'estrattore e spingerli con il pestello.

Attenzione! Prima dell'estrazione del succo, tagliare la frutta e le verdure in pezzi che si adattino facilmente all'ingresso della brocca.

- Al termine del procedimento di estrazione del succo, scollegare l'apparecchio dalla fonte di alimentazione togliendo la spina dalla presa di corrente.

Attenzione!

Quando durante l'estrazione, assicurarsi che la ciotola non trabocchi. Se questo dovesse succedere, aprire lo sportello di uscita del succo di modo che il succo possa fluire verso il basso nel contenitore. Posizionare i contenitori di polpa e succo su una superficie stabile che è facile da pulire (in quanto il succo o la polpa possono versarsi accidentalmente).

PULIZIA E MANUTENZIONE



REGOLE DI BASE

Una corretta e regolare pulizia garantisce un funzionamento sicuro e prolunga la durata del dispositivo.

Avvertimento! Prima di effettuare la pulizia e le operazioni di manutenzione, spegnere l'apparecchio, scollegarlo dalla fonte di alimentazione e lasciarlo raffreddare, in modo da evitare il pericolo di ustioni e folgorazioni.

- Non immergere la base motore in acqua o altri liquidi.
- Non usare detergenti corrosivi.

Attenzione!

Non pulire l'apparecchio con prodotti chimici, agenti, abrasivi o disinfettanti alcalini, in quanto potrebbero danneggiare la superficie dell'apparecchio.

Pulizia dell'albero rotante, del filtro in acciaio inox, della ciotola, e dei contenitori di polpa e succo:

- Non appena l'apparecchio si raffredda dopo aver finito di usarlo, lavare i componenti in acqua calda con un detergente.
- Tutti i componenti devono essere puliti entro 10 minuti dopo aver utilizzato l'apparecchio, in modo da evitare danni alle parti in acciaio inox ed evitare che i residui del succo si secchino all'interno dell'apparecchio, il che potrebbe causare problemi quando viene smontato. Pulire i componenti con attenzione, in modo da non danneggiarli. Rimuovere i residui di cibo dai componenti con la spazzola in dotazione dopo ogni uso.
- La guarnizione in gomma nella parte inferiore della brocca deve essere attentamente spostato per facilitare la pulizia. Dopo che l'apparecchio è stato asciugato, la spina deve essere reinstallata nella sua posizione originale.
- Pulire l'apparecchio o lasciare asciugare completamente.

PULIZIA DELLA BASE MOTORE

Pulire la base motore utilizzando un panno umido.

Pulire asciugare.

Attenzione!

Non immergere la spina, il cavo o la base dell'apparecchio in acqua o altri liquidi.

Attenzione!

Gli elementi plastici possono essere lavati in lavastoviglie.

RIPARAZIONE

L'apparecchio non contiene parti riparabili all'utente. Non tentare di riparare l'apparecchio da soli. Fare sempre riparare l'apparecchio da un professionista.

Se il cavo di alimentazione è danneggiato, deve essere sostituito dal produttore, da un centro assistenza o una persona adeguatamente qualificata.

STOCCAGGIO E TRASPORTO

L'apparecchio deve essere pulito come descritto sopra e lasciato all'aria finché non è completamente asciutto. Si raccomanda di conservare l'apparecchio nella sua confezione originale.

- Tenere sempre l'apparecchio in un luogo asciutto e ben ventilato inaccessibile ai bambini.
- Proteggere l'apparecchio da vibrazioni e urti durante la movimentazione e il trasporto.

SMALTIMENTO

Tutti i materiali di imballaggio sono riciclabili e etichettati come tali. L'imballaggio deve essere smaltito in conformità alla normativa vigente.

conservare i materiali di imballaggio fuori dalla portata dei bambini, in quanto possono costituire un pericolo.



Il corretto smaltimento del dispositivo:

- In base alla direttiva WEEE 2012/19 / UE, il simbolo del cassonetto barrato (mostrato a sinistra) viene utilizzato per l'etichettatura di tutti i dispositivi elettrici ed elettronici che richiedono uno smaltimento separato.
- Non smaltire il prodotto con rifiuti domestici: consegnarlo ad un centro di raccolta e riciclaggio di dispositivi elettrici ed elettronici. Il simbolo del cassonetto barrato riportato sul prodotto, sul manuale di istruzioni o sulla confezione comunica questo requisito.

I materiali incorporati nel dispositivo possono essere riciclati in conformità con la marcatura specifica. Riciclando i materiali e le attrezzature spesso si contribuisce a proteggere l'ambiente.

- Le informazioni sui dispositivi centri di raccolta elettrici ed elettronici sono disponibili presso le agenzie governative locali o dal rivenditore.

DICHIARAZIONE CE

Questo apparecchio è stato progettato, fabbricato e commercializzato in conformità con i requisiti della Direttiva Bassa Tensione e la Direttiva di compatibilità elettromagnetica. Pertanto, il prodotto è stato contrassegnato con il marchio CE, che indica che una dichiarazione di conformità è stata rilasciata e viene messa a disposizione dei regolatori del mercato.

GARANZIA

Il periodo di garanzia per i nostri prodotti è di 2 anni, se non diversamente stabilito dalla legge, a partire dalla data di acquisto iniziale o di consegna.

Se avete problemi o domande, potete facilmente accedere alle nostre pagine di aiuto, consigli per la risoluzione dei problemi, FAQ e manuali d'uso sul nostro sito post-vendita:

<https://sav.hkoenig.com>.

Digitando il nome di riferimento del tuo dispositivo nella barra di ricerca, puoi accedere a tutto il supporto online disponibile, progettato per soddisfare al meglio le tue esigenze.

Se ancora non riesci a trovare una risposta alla tua domanda o al tuo problema, allora clicca su "La risposta ha risolto il tuo problema? Questo vi porterà al modulo di richiesta di supporto post-vendita, che potete completare per convalidare la vostra richiesta e ottenere aiuto.

CONDIZIONI DI GARANZIA

La garanzia copre tutti i guasti derivanti da un uso normale, in conformità con gli usi e le specifiche del manuale utente.

Questa garanzia non si applica a problemi di imballaggio o di trasporto durante la spedizione del prodotto da parte del proprietario. Non include inoltre la normale usura del prodotto, né la manutenzione o la sostituzione delle parti di consumo.

ESCLUSIONE DELLA GARANZIA

- Accessori e parti soggette a usura (*).
- Normale manutenzione dell'apparecchio.
- Tutti i guasti derivanti da un uso improprio (urti, mancato rispetto delle raccomandazioni sull'alimentazione, cattive condizioni d'uso, ecc.), da una manutenzione inadeguata o da un uso improprio dell'apparecchio, nonché dall'uso di accessori inadeguati.
- Danni di origine esterna: incendio, danni d'acqua, sovratensione elettrica, ecc.
- Qualsiasi attrezzatura che sia stata smontata, anche parzialmente, da persone diverse da quelle autorizzate a farlo (in particolare l'utente).
- Prodotti per i quali il numero di serie è mancante, danneggiato o illeggibile, il che non permetterebbe la sua identificazione.
- Prodotti soggetti a noleggio, dimostrazione o esposizione.

(*) Alcune parti del suo apparecchio, note come parti soggette a usura o materiali di consumo, si deteriorano con il tempo e la frequenza d'uso del suo apparecchio. Questa usura è normale, ma può essere accentuata da cattive condizioni d'uso o di manutenzione del vostro apparecchio. Queste parti non sono quindi coperte dalla garanzia.

Anche gli accessori forniti con l'apparecchio sono esclusi dalla garanzia. Non possono essere scambiati o rimborsati. Tuttavia, alcuni accessori possono essere acquistati direttamente dal nostro sito web: <https://sav.hkoenig.com/>.

AMBIENTE

ATTENZIONE:



Non gettare quest' apparecchio tra i rifiuti domestici. Per questo tipo di prodotti è fornito dai comuni un sistema di raccolta e ritiro in zona ed è quindi un dovere informarsi per conoscere il giusto smistamento del rifiuto. Infatti, i prodotti elettrici ed elettronici possono contenere sostanze pericolose che hanno effetti dannosi sull'ambiente o sulla nostra salute e quindi devono essere riciclati. Il simbolo al lato indica che le apparecchiature elettriche ed elettroniche fanno parte di una raccolta selettiva e differenziata (rappresentata da un bidone su due ruote sbarrato da una croce).

Adeva SAS / H.Koenig Europe - 8 rue Marc Seguin - 77290 Mitry Mory - France
www.hkoenig.com - sav@hkoenig.com - contact@hkoenig.com - Tél: +33 1 64 67 00 05



FR

Cet appareil se recycle

À DÉPOSER EN MAGASIN

À DÉPOSER EN DÉCHÈTERIE

OU

Points de collecte sur www.quefairedemesdechets.fr
Privilégiez la réparation ou le don de votre appareil !