

HKoenig

fgx890

Instruction Manual

Manuel d'instructions
Bedienungsanleitung
Gebruiksaanwijzing
Manual de instrucciones
Manuale d'uso



Undercounter fridge

Refrigerateur sous plan
Unterbaukühlschrank
Onderbouw koelkast
Frigorífico bajo encimera
Frigorifero sottobanco



ENGLISH

BEFORE USE, PLEASE READ AND FOLLOW ALL SAFETY RULES AND OPERATING INSTRUCTIONS.

WARNING

To reduce the risk of fire, electrical shock, or injury when using your refrigerator, follow these basic precautions:

IMPORTANT SAFETY INSTRUCTIONS

Read all instructions before using the refrigerator.

DANGER or WARNING: Risk of child entrapment.

Child entrapment and suffocation are not problems of the past. Junked or abandoned refrigerators are still dangerous . . . even if they will “just sit in the garage a few days.”

- **Before you throw away your old refrigerator:** Take off the door. Leave the shelves in place so that children may not easily climb inside.
- Never allow children to operate, play with, or crawl inside the refrigerator.
- Never clean refrigerator parts with flammable fluids. The fumes can create a fire hazard or explosion.
- Do not store or use gasoline or any other flammable vapors and liquids in the vicinity of this or any other refrigerator. The fumes can create a fire hazard or explosion.
- This appliance may be used by persons with reduced physical, sensory or mental capabilities or lack of experience or knowledge, provided that they are supervised or instructed in the safe use of the appliance and that they fully understand the potential hazards.
- Do not operate this appliance if it has a damaged cord or plug, if it is not working properly or if it has been damaged or dropped. If the supply cord is damaged, it must be replaced by the manufacturer or its service agent or a

similarly qualified person in order to avoid a hazard.

- **WARNING:** Keep ventilation openings, in the appliance enclosure or in the built-in structure, clear of obstruction.
- **WARNING:** Do not use mechanical devices or other means to accelerate the defrosting process, other than those recommended by the manufacturer.
- **WARNING:** Do not damage the refrigerant circuit.
- **WARNING:** Do not use electrical appliances inside the food storage compartments of the appliance, unless they are of the type recommended by the manufacturer.
- Do not store explosive substances such as aerosol cans with a flammable propellant in this appliance.
- This device is intended for use in domestic and similar applications such as:
 - kitchen areas in shops, offices and other work environments
 - the farms
 - in hotels, motels and other residential type environments
 - guest rooms.
- This appliance may be used by children of at least 8 years of age, as long as they are supervised and have been given instructions about using the appliance safely and are fully aware of the dangers involved.
- Cleaning and maintenance should not be carried out by children unless they are at least 8 years of age and are supervised by an adult.
- Keep the appliance and its power cord out of reach of children under 8 years of age.
- When using electrical equipment, safety precautions must always be taken to prevent the risk of fire, electric shock and/or injury in the event of misuse.
- Make sure that the voltage rating on the typeplate corresponds to your main voltage of your installation. If this

is not the case, contact the dealer and do not connect the unit

- Never leave the unit unattended while in operation.
- Please keep this document at hand and give it to the future owner in case of transfer of your device
- The device must not be used if it has been dropped, it obvious signs of damage are visible or if it has leaks.

Refrigerant

The refrigerant gas contained in the circuit of this device is isobutane (R 600a), a low-polluting but flammable gas.

- When transporting and installing the appliance, take care not to damage any part of the refrigeration circuit

- Do not use any sharp or pointed tools to defrost the appliance.

- Do not use any electrical appliance inside the appliance.

If the refrigeration system is damaged:

• Do not use a flame near the appliance.

• Avoid sparks - do not light any electrical appliance or flashlight.

Ventilate the room immediately

-Save these instructions-

INSTALLATION INSTRUCTIONS

- **Before Using Your Refrigerator**

- Remove the exterior and interior packing.
- Check to be sure you have all of the following parts:
 - 1 Instruction Manual
- Before connecting the refrigerator to the power source, let it stand upright for approximately 2 hours. This will reduce the possibility of a malfunction in the cooling system from handling during transportation.
- Clean the interior surface with lukewarm water using a soft cloth.

- **Installing Your Refrigerator**

- This appliance is designed to be free standing only, and should not be recessed or built-in.
- Place your refrigerator on a floor that is strong enough to support the refrigerator when it is fully loaded. To level your refrigerator, adjust the leveling leg at the bottom of the refrigerator.
- Allow 12 cm of space between the back and sides of the refrigerator, which allows the proper air circulation to cool the compressor.
- Locate the refrigerator away from direct sunlight and sources of heat (stove, heater, radiator, etc.). Direct sunlight may affect the acrylic coating and heat sources may increase electrical consumption. Extreme cold ambient temperatures may also cause the refrigerator not to perform properly.
- Avoid locating the refrigerator in moist areas.
- Plug the refrigerator into an exclusive, properly installed-grounded wall outlet. Do not under any circumstances cut or remove the third (ground) prong from the power cord. Any questions concerning power and/or grounding should be directed toward a certified electrician or an authorized service center.
- After plugging the appliance into a wall outlet, allow the unit to cool down for 2-3 hours before placing food in the refrigerator compartment.

- **Electrical Connection**

Warning

Improper use of the grounded plug can result in the risk of electrical shock. If the power cord is damaged, have it replaced by an authorized service center.

This refrigerator should be properly grounded for your safety. The power cord of this refrigerator is equipped with a two-pin plug which mates with standard two prong wall outlets to minimize the possibility of electrical shock.

Do not under any circumstances cut or remove the third ground prong from the power cord supplied. This refrigerator requires a standard 220-240Volts A.C.~/50Hz electrical outlet with two-prong ground.

The cord should be secured behind the refrigerator and not left exposed or dangling to prevent accidental injury.

Never unplug the refrigerator by pulling the power cord. Always grip the plug firmly and pull straight out from the receptacle.

Do not use an extension cord with this appliance. If the power cord is too short, have a qualified electrician or service technician install an outlet near the appliance.

- **Reversing the Door Swing of Your Appliance**

This refrigerator has the capability of the door opening from either the left or right side. The unit is delivered to you with the door opening from the left side. Should you desire to reverse the opening direction, please call customer service for reversal instructions.

OPERATING YOUR REFRIGERATOR

- **Setting the Temperature Control**

- To control the internal temperature, adjust the control dial according to the ambient temperature or purpose of use.
- The first time you turn the unit on, set the temperature control to "6."
- The range of the temperature control is from position "OFF" to "6". After 24 to 48 hours, adjust the temperature control to the setting that best suits your needs. The setting of "3" should be appropriate for home or office refrigerator use.

NOTE:

- If the unit is unplugged, has lost power, or is turned off; you must wait 3 to 5 minutes before restarting the unit. If you attempt to restart before this time delay, the refrigerator will not start.

The Freezer Compartment

- This compartment is designed for the long term storage of frozen food.
- The storage life of frozen foods varies and the recommended storage time should not be exceeded. The instructions regarding the care of frozen foods should be followed when defrosting the unit.
- Pre-packed commercially frozen food should be stored in accordance with the frozen foods manufacturer's instructions for a three star frozen food storage compartment or home freezer.
- Place frozen food into the freezer as quickly as possible after purchase. If there are instructions on the packet, carefully follow these instructions regarding storage times.

CARE AND MAINTENANCE

- **Defrosting Your Refrigerator**

Defrost the refrigerator when the frost accumulated on the evaporator is about 5mm (1/5 inch) thick. Set the thermostat dial to "OFF" position. Remove frozen or perishable foods. Defrosting usually takes a few hours. After defrosting, return the thermostat dial to the desired position. To defrost quickly remove all foods from the refrigerator and leave the door open. Never use a knife or other metal instrument to scrape ice/frost from the evaporator.

Cleaning Your Refrigerator

- Turn the temperature control to "OFF", unplug the refrigerator, and remove the food, shelves, and trays.
- Wash the inside surfaces with a warm water and baking soda solution. The solution should be about 2 tablespoons of baking soda to a quart of water.
- Wash the shelves and trays with a mild detergent solution.

- The outside of the refrigerator should be cleaned with mild detergent and warm water.
- Wring excess water out of the sponge or cloth before cleaning the area of the controls, or any electrical parts.
- Wash the outside cabinet with warm water and mild liquid detergent. Rinse well and wipe dry with a clean soft cloth.

- **Vacation Time**

- **Short vacations:** Leave the refrigerator operating during vacations of less than three weeks.
- **Long vacations:** If the refrigerator will not be used for several months, remove all food and unplug the power cord. Clean and dry the interior thoroughly. To prevent odor and mold growth, leave the door open slightly: blocking it open if necessary.

- **Moving Your Refrigerator**

- Remove all the food.
- Securely tape down all loose items inside your refrigerator.
- Turn the leveling screw up to the base to avoid damage.
- Tape the door shut.
- Be sure the refrigerator stays secure in the upright position during transportation. Also protect the outside of refrigerator with a blanket, or similar item.

- **Energy Saving Tips**

- The refrigerator should be located in the coolest area of the room, away from heat producing appliances, and out of the direct sunlight.
- Let hot foods cool to room temperature before placing in the refrigerator. Overloading the refrigerator forces the compressor to run longer.
- Be sure to wrap foods properly, and wipe containers dry before placing them in the refrigerator. This cuts down on frost build-up inside the refrigerator.
- Refrigerator storage bin should not be lined with aluminum foil, wax paper, or paper toweling. Liners interfere with cold air circulation, making the refrigerator less efficient.
- Organize and label food to reduce door openings and extended searches. Remove as many items as needed at one time, and close the door as soon as possible.

REVERSE THE DOOR OPENING

If required, the door opening can be moved from the right (supplied condition) to the left side.

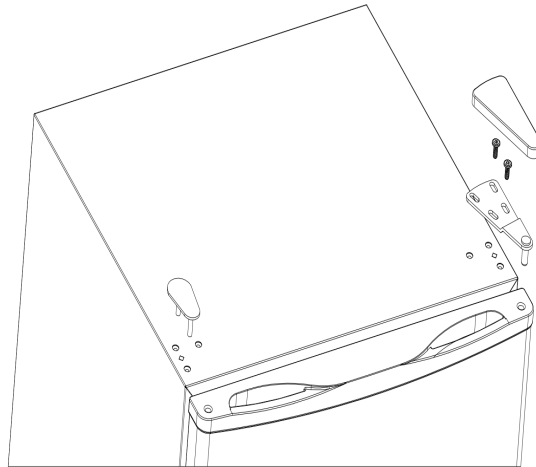
- **WARNING**

- When replacing the door stop, the appliance must be disconnected from the power supply first.

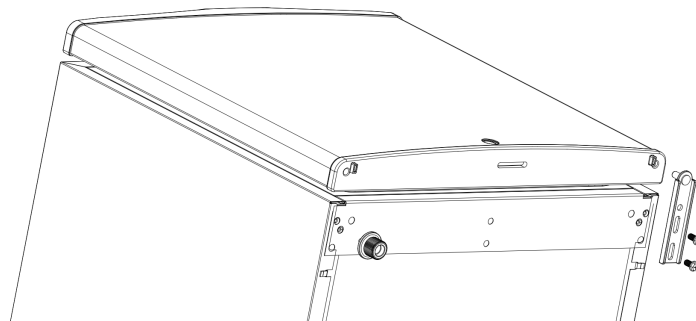
- **NOTE**

- Ask to another person to assist.
- You possibly need: screw wrench, Phillips screwdriver as well as a thin-blade screwdriver.

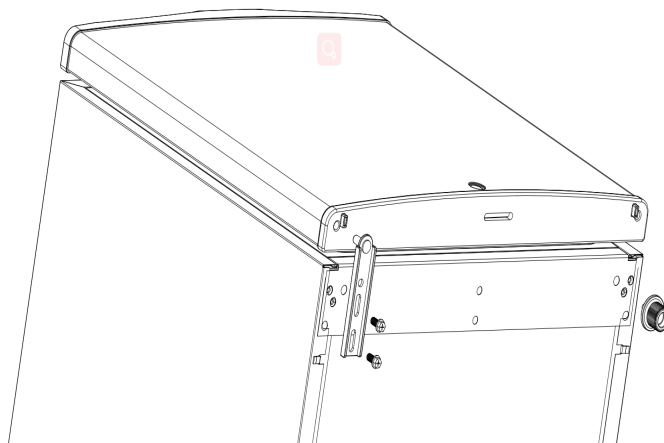
Step 1: Remove the plastic cover and hinge cover, Loosen the screws.



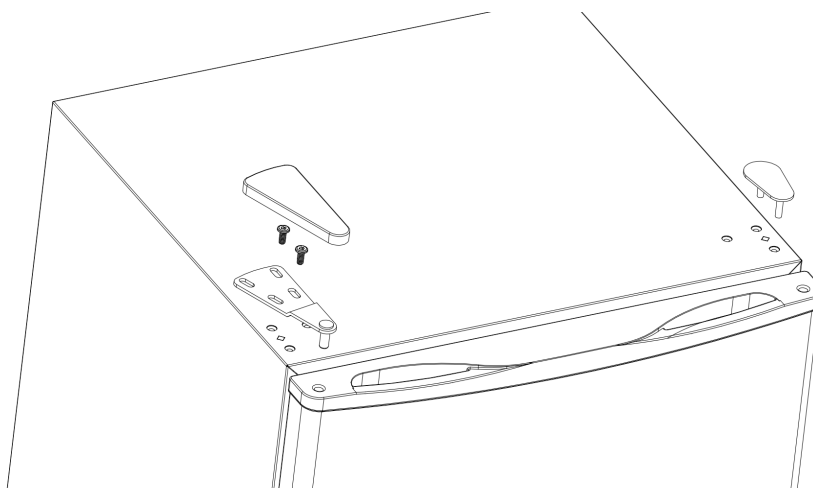
Step 2 : Disassemble the lower door hinge and the feet by loosening the screws.



Step 3 : Displace and fasten the bottom door hinge including the feet with the screws.



Step 4: Remove the top hing and cover from right side to left side. Fasten the top door hinge with the screws, and cover the plastic cover and hinge cover.



PROBLEMS WITH YOUR REFRIGERATOR

You can solve many common refrigerator problems easily, saving you the cost of a possible service call. Try the suggestions below to see if you can solve the problem before calling the servicer.

TROUBLESHOOTING GUIDE

PROBLEM	POSSIBLE CAUSE
Refrigerator does not operate.	Not plugged in. The circuit breaker tripped or a blown fuse. The refrigerator temperature control is set at "OFF".

Turns on and off frequently.	The room temperature is hotter than normal. A large amount of food has been added to the refrigerator. The door is opened too often. The door is not closed completely. The temperature control is not set correctly. The door gasket does not seal properly. The refrigerator does not have the correct clearances.
Vibrations.	Check to assure that the refrigerator is level.
The refrigerator seems to make too much noise.	The rattling noise may come from the flow of the refrigerant, which is normal. As each cycle ends, you may hear gurgling sounds caused by the flow of refrigerant in your refrigerator. Contraction and expansion of the inside walls may cause popping and crackling noises. The refrigerator is not level.
The door will not close properly.	The refrigerator is not level. The door was reversed and not properly installed. The gasket is dirty. The shelves, bins, or baskets are out of position.

WARRANTY

The warranty period for our products is 2 years, unless otherwise stated, starting from the date of initial purchase or the date of delivery.

If you have any problems or questions, you can easily access our help pages, troubleshooting tips, FAQ, and user manuals on our service site: <https://sav.hkoenig.com>.

By typing the reference name of your device in the search bar, you can access all available online support, designed to best meet your needs.

If you still cannot find an answer to your question or problem, then click on “Did the answer solve your problem?”. This will direct you to the Customer Support Request Form, which you can fill out to validate your request and get help.

WARRANTY CONDITIONS

The warranty covers all failures occurring under normal use, in accordance with the usage and specifications in the user's manual.

This warranty does not apply to packaging or transportation problems during shipment of the product by the owner. It also does not include normal wear and tear of the product, nor maintenance or replacement of consumable parts.

EXCLUSION OF WARRANTY

- Accessories and wearing parts (*).
- Normal maintenance of the device.
- All breakdowns resulting from improper use (shocks, failure to comply with power supply recommendations, poor conditions of use, etc.), insufficient maintenance or misuse of the device, as well as the use of unsuitable accessories.
- Damage of external origin: fire, water damage, electrical surge, etc.
- Any equipment that has been disassembled, even partially, by persons other than those authorized to do so (notably the user).
- The products whose serial number would be missing, deteriorated or illegible that would not allow its identification.
- The products subjected to leasing, demonstration, or exhibition.

(*) Some parts of your device, called wear parts or consumables, deteriorate with time and frequency of use of your device. This wear and tear are normal but can be accentuated by poor conditions of use or maintenance of your device. These parts are therefore not covered by the warranty.

The accessories supplied with the device are also excluded from the warranty. They cannot be exchanged or refunded. However, some accessories can be purchased directly through our website: <https://sav.hkoenig.com/>.

ENVIRONMENT

CAUTION:



Do not dispose of this product as it has with other household products. There is a separation of this waste product into communities, you will need to inform your local authorities about the places where you can return this product. In fact, electrical and electronic products contain hazardous substances that have harmful effects on the environment or human health and should be recycled. The symbol here indicates that electrical and electronic equipment should be chosen carefully, a wheeled waste container is marked with a cross.

Adeva SAS / H.Koenig Europe - 8 rue Marc Seguin - 77290 MitryMory - France

www.hkoenig.com - sav@hkoenig.com - contact@hkoenig.com - Tél: +33 1 64 67 00 05

FRANÇAIS

AVANT D'UTILISER L'APPAREIL, VEUILLEZ LIRE TOUTES LES RÈGLES DE SÉCURITÉ ET RESPECTER TOUTES LES INSTRUCTIONS.

RÈGLES IMPORTANTES DE SÉCURITÉ

ATTENTION

Pour éviter un risque d'incendie, d'électrocution ou de blessure, veuillez suivre ces précautions élémentaires :

Lisez bien toutes les instructions avant d'utiliser le réfrigérateur.

DANGER / ATTENTION : un enfant peut se retrouver prisonnier à l'intérieur.

Des enfants se retrouvant enfermés et suffoquant dans un réfrigérateur est un risque d'actualité. Les réfrigérateurs abandonnés restent un danger ...même si « on le les garde dans un garage pour quelque temps. »

● **Avant de vous débarrasser de votre ancien réfrigérateur** : démontez la porte et laissez les étagères à l'intérieur pour empêcher un enfant d'y pénétrer.

● Ne laissez jamais un enfant manipuler le réfrigérateur, ou jouer avec, ou pénétrer à l'intérieur.

● Ne jamais nettoyer le réfrigérateur avec un liquide inflammable. Les vapeurs peuvent provoquer un incendie ou une explosion.

● Ne pas ranger ni utiliser d'essence ou autres vapeurs et liquides inflammables à proximité du réfrigérateur. Les vapeurs peuvent provoquer un incendie ou une explosion.

● Cet appareil peut être utilisé par des personnes dont les capacités physiques, sensorielles ou mentales sont réduites ou dont l'expérience ou les connaissances ne sont pas suffisantes, à condition qu'elles bénéficient d'une surveillance

ou qu'elles aient reçu des instructions quant à l'utilisation de l'appareil en toute sécurité et qu'elles en comprennent bien les dangers potentiels.

- N'utilisez pas l'appareil si son câble d'alimentation ou sa prise est endommagée, s'il ne fonctionne pas correctement, s'il a été abîmé ou s'il est tombé. Si le câble d'alimentation est endommagé, il doit être remplacé par le fabricant ou son agent ou encore par une personne qualifiée afin d'éviter tout risque.

- **ATTENTION** : n'obstruez pas les ouvertures de ventilation autour et dans le réfrigérateur.

- **ATTENTION** : n'employez pas d'accessoires mécaniques ou autres qui ne sont pas recommandés par le fabricant pour accélérer le dégivrage.

- **ATTENTION** : n'endommagez pas le circuit de réfrigération.

- **ATTENTION** : n'employez pas d'appareils électriques dans les compartiments d'alimentation à moins qu'ils ne soient recommandés par le fabricant.

- Ne rangez pas de substances explosives telles que des bombes aérosols dans le réfrigérateur.

- Cet appareil est destiné à être utilisé dans des applications domestiques et similaires telles que :

- les zones de cuisine dans les magasins, les bureaux et autres environnements de travail

- les fermes

- dans les hôtels, les motels et autres environnements de type résidentiel

- les chambres d'hôtes.

- Cet appareil peut être utilisé par des enfants âgés d'au moins 8 ans, à condition qu'ils bénéficient d'une surveillance ou qu'ils aient reçu des instructions quant à l'utilisation de

l'appareil en toute sécurité et qu'ils comprennent bien les dangers encourus.

- Le nettoyage et l'entretien par l'utilisateur ne doivent pas être effectués par des enfants, à moins qu'ils ne soient âgés de plus de 8ans et qu'ils soient sous la surveillance d'un adulte.
- Conserver l'appareil et son câble hors de portée des enfants âgés de moins 8ans.
- Lors de l'utilisation d'appareils électriques, des précautions de sécurité doivent toujours être prises pour prévenir tout risque d'incendie, de choc électrique et/ou de blessure en cas de mauvaise utilisation.
- Vérifier que le voltage indiqué sur la plaque signalétique de l'appareil correspond bien à celui de votre installation électrique. Si ce n'est pas le cas, adressez-vous au revendeur et ne branchez pas l'appareil
- Ne jamais laisser l'appareil sans surveillance lorsqu'il est en fonctionnement.
- Veuillez conserver ce document à disposition et le remettre au futur propriétaire en cas de cession de votre appareil
- L'appareil ne doit pas être utilisé s'il a chuté, s'il y a des signes visibles de dommages ou en cas de fuite.
- Conservez ces instructions en lieu sûr.

Frigorigène

Le gaz frigorigène contenu dans le circuit de cet appareil est de l'isobutane (R 600a), gaz peu polluant mais inflammable.

- Lors du transport et de l'installation de l'appareil, veiller à n'endommager aucune partie du circuit frigorifique

- N'utilisez aucun outil coupant ou pointu pour dégivrer l'appareil.

- N'utilisez aucun appareil électrique à l'intérieur de l'appareil.

Si le système de réfrigération est endommagé:

- N'utilisez pas de flamme près de l'appareil.
- Evitez les étincelles – n'allumez pas d'appareil électrique ou de lampe électrique.
- Ventilez immédiatement la pièce

INSTRUCTIONS D'INSTALLATION

- **Avant d'utiliser votre réfrigérateur**

- Retirez les emballages extérieurs et intérieurs.
- Vérifiez que vous ayez bien tous les éléments suivants :
 - 1 Manuel d'instructions
- Avant de brancher le réfrigérateur, laissez-le en position debout pendant environ 2 heures. Cela évitera de provoquer un problème avec le système de refroidissement qui aura été agité durant le transport.
- Nettoyez les surfaces intérieures avec un chiffon doux imprégné d'eau tiède.

- **Installation de votre réfrigérateur**

- Cet appareil est conçu pour être isolé et non pas encastré.
- Disposez votre réfrigérateur sur une surface suffisamment solide pour le supporter quand il est plein. Mettez votre réfrigérateur en position bien verticale à l'aide des pieds réglables. Laissez au moins 12 cm entre l'arrière et les côtés de l'appareil pour permettre à l'air de circuler et d'assurer le refroidissement du compresseur.
- Mettez le réfrigérateur à l'écart du soleil direct et des sources de chaleur (four, radiateur, etc.) Le soleil direct peut abîmer le revêtement en acrylique et les sources de chaleur peuvent augmenter la consommation d'électricité. Des températures très froides peuvent aussi gêner le fonctionnement de l'appareil.
- Evitez de placer le réfrigérateur dans une zone humide.
- Branchez le réfrigérateur à une prise de terre conforme et à laquelle aucun autre appareil n'est relié. N'enlevez sous aucun prétexte la fiche de terre du câble d'alimentation. Toute question concernant l'alimentation et/ou la liaison à la terre doit être posée à un électricien qualifié ou à un service technique agréé.
- Après avoir branché le réfrigérateur, laissez-le refroidir pendant 2-3 heures avant d'y mettre la nourriture.

- **Branchement électrique**

Attention

Un emploi inadéquat de la prise de terre peut provoquer un risque d'électrocution. Si le câble d'alimentation est endommagé, faites-le réparer par un service technique agréé

Ce réfrigérateur doit être correctement relié à la terre pour votre sécurité. Le câble d'alimentation est équipé d'une prise à deux broches conforme aux normes pour éviter tout risque d'électrocution. N'enlevez sous aucun prétexte la fiche de terre du câble d'alimentation.

Ce réfrigérateur nécessite un courant de 220-240Volts A.C.~/50Hz et une prise de courant à deux broches.

Le câble doit être fixé à l'arrière et non pas exposé et pendant pour éviter tout accident.

Ne débranchez jamais l'appareil en tirant sur le câble d'alimentation. Saisissez la prise et retirez-la du mur de manière rectiligne.

N'employez pas de rallonge avec ce réfrigérateur. Si le câble est trop court, faites appel à un électricien qualifié pour installer une prise murale supplémentaire.

- **Inversion de la porte de votre réfrigérateur**

Cet appareil possède une porte qui peut s'ouvrir vers la droite ou vers la gauche. Il vous est livré avec la porte s'ouvrant vers la droite. Si vous désirez inverser l'ouverture, appelez le service technique qui vous donnera les instructions.

FONCTIONNEMENT DE VOTRE RÉFRIGÉRATEUR

● Réglage de la température

- Pour ajuster la température intérieure, réglez le cadran en fonction de la température ambiante ou de votre désir.
- La première fois que vous allumez le réfrigérateur, réglez sur la position "6."
- La plage de température est comprise entre la position "OFF" et la position "6". Après 24 à 48 heures, ajustez la température en fonction de vos besoins. La position "3" correspond à un usage domestique ou de bureau.

REMARQUE :

- En cas de coupure de courant ou si vous débranchez/éteignez l'appareil, attendez 3 à 5 minutes pour le rallumer. Si vous le faites avant, il ne redémarrera pas.

● Le compartiment freezer

- Ce compartiment est conçu pour le stockage à long terme des aliments surgelés.
- La durée de conservation des aliments surgelés varie en fonction des aliments et la durée de conservation recommandée ne doit pas être dépassée. Les instructions concernant la conservation des aliments surgelés doivent être suivies lors de la décongélation de l'appareil.
- Les aliments surgelés préemballés commercialement doivent être conservés conformément aux instructions du fabricant dans un compartiment de conservation des aliments surgelés trois étoiles ou un congélateur domestique.
- Placez les aliments surgelés dans le congélateur le plus rapidement possible après l'achat. S'il y a des instructions sur le paquet, suivez attentivement les instructions concernant le temps de conservation.

NETTOYAGE ET ENTRETIEN

● Dégivrage de votre réfrigérateur

Dégivrez l'appareil lorsque le givre accumulé sur le bac à glaçons a atteint 5 mm d'épaisseur. Positionnez le thermostat sur "OFF" et retirez les aliments congelés ou périssables. Le dégivrage nécessite quelques heures. Une fois terminé, réglez le thermostat sur la position désirée. Pour dégivrer rapidement, enlevez tout le contenu du réfrigérateur et laissez la porte grande ouverte. N'utilisez jamais de couteau ou d'objet métallique pour gratter le givre accumulé sur le bac.

- **Nettoyage de votre réfrigérateur**

- Positionnez le thermostat sur "OFF", débranchez le réfrigérateur puis retirez la nourriture, les étagères et les bacs.
- Lavez les surfaces intérieures avec de l'eau tiède et du bicarbonate de soude à raison de 2 cuillérées de bicarbonate pour un quart de litre d'eau.
- Lavez les étagères et les bacs avec un détergent doux dilué.
- La carrosserie du réfrigérateur doit être lavée avec un détergent doux et de l'eau tiède.
- Enlevez l'eau en excès de l'éponge ou du chiffon quand vous nettoyez l'écran de contrôle et les parties électriques.
- Lavez la carrosserie du réfrigérateur avec un détergent doux et de l'eau tiède. Rincez bien puis essuyez à l'aide d'un chiffon propre.

- **Période de vacances**

- **Vacances courtes** : Laissez fonctionner le réfrigérateur si les vacances n'excèdent pas 3 semaines.
- **Vacances longues** : si le réfrigérateur ne doit pas être utilisé pendant plusieurs mois, retirez toute la nourriture et débranchez-le. Nettoyez et essuyez l'intérieur avec soin. Pour éviter les mauvaises odeurs et la formation de moisissure, laissez la porte entre-ouverte en la bloquant si nécessaire.

- **Déménagement de votre réfrigérateur**

- Retirez toute la nourriture.
- Fixez à l'aide d'un scotch tous les éléments mobiles situés à l'intérieur.
- Rentrez les pieds réglables.
- Fixez la porte à l'aide d'un scotch.
- Assurez-vous que le réfrigérateur reste bien vertical durant le transport et protégez-le avec une couverture ou quelque chose de similaire.

- **Conseils pour économiser l'électricité**

- Le réfrigérateur doit être disposé dans la zone la plus fraîche de la pièce, loin des appareils dégageant de la chaleur et du soleil direct.
- Laissez la nourriture cuisinée refroidir avant de la mettre au réfrigérateur. Si vous le surchargez, le compresseur fonctionnera davantage.
- Emballez correctement les aliments et essuyez bien les bacs avant de les placer à l'intérieur. Cela évite la formation de givre dans l'habitacle.

- Le bac à légume ne doit pas être doublé avec du papier d'aluminium, du papier sulfurisé ou de l'essuie-tout. Ces rembourrages gênent la circulation de l'air froid, ce qui diminue l'efficacité du réfrigérateur.
- Étiquetez bien les aliments et rangez-les correctement pour limiter les ouvertures de la porte et la recherche de la nourriture. Retirez le plus possible d'aliments à chaque fois et fermez la porte rapidement.

INVERSER L'OUVERTURE DE LA PORTE

Si nécessaire, l'ouverture de la porte peut être inversée de la droite (état de livraison) vers la gauche.

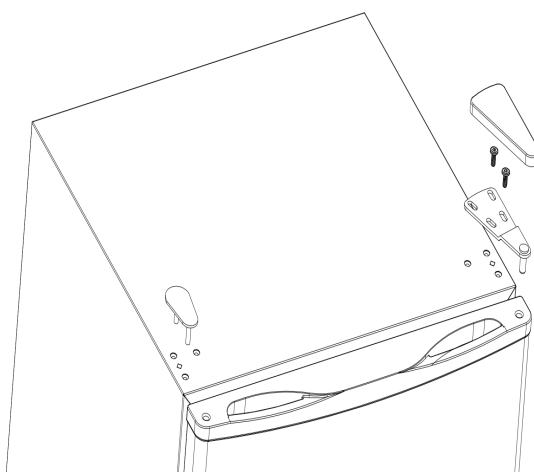
ATTENTION

Lors du remplacement de la butée de porte, l'appareil doit d'abord être débranché de l'alimentation électrique.

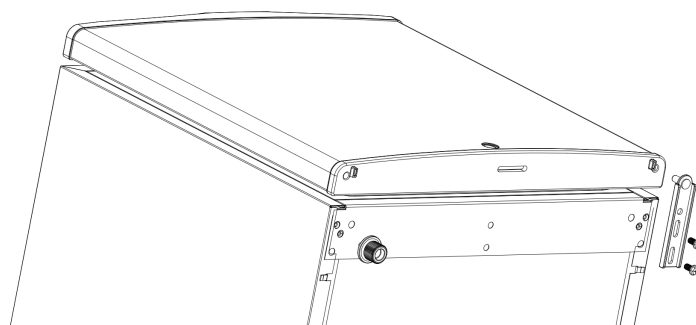
REMARQUE

- Demandez à une autre personne de vous aider.
- Il vous faut éventuellement : une clé à vis, un tournevis cruciforme ainsi qu'un tournevis à lame fine.

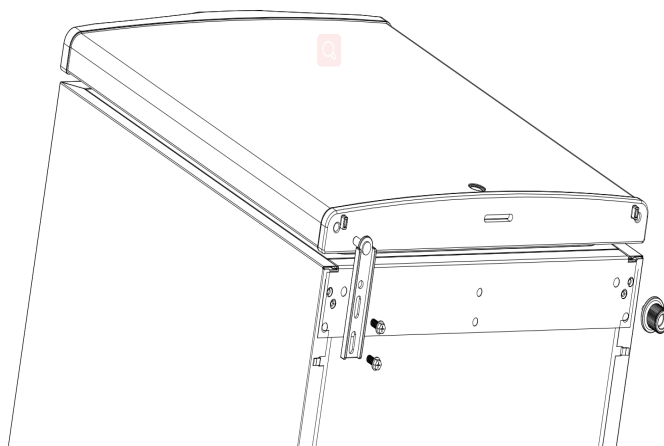
Étape 1 : Retirez le couvercle en plastique et le couvercle de la charnière, desserrez les vis.



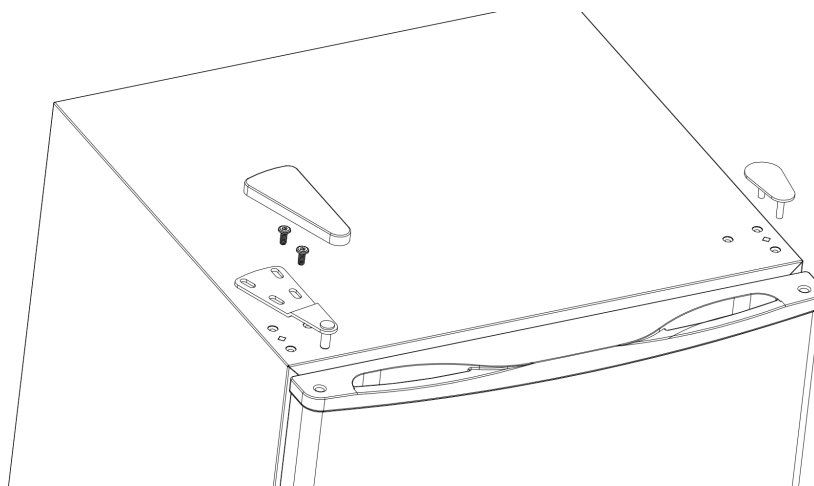
Étape 2 : Démontez la charnière inférieure de la porte et le pied en desserrant les vis.



Étape 3 : Déplacez et fixez la charnière inférieure de la porte, y compris le pied, avec les vis.



Étape 4 : Retirez et déplacez la charnière supérieure et le couvercle. Fixez la charnière supérieure de la porte avec les vis, et recouvrez avec le couvercle en plastique et le couvercle de la charnière.



ANOMALIES DE FONCTIONNEMENT

Vous pouvez trouver facilement la solution de nombreuses pannes, en évitant d'appeler le service technique. Essayez les recommandations qui suivent pour voir si vous pouvez régler le problème par vous-même.

GUIDE DE DÉPANNAGE

PROBLÈME	CAUSE POSSIBLE
Le réfrigérateur ne fonctionne pas.	Il n'est pas branché. Le disjoncteur s'est déclenché ou un plomb a fondu. Le thermostat est réglé sur "OFF".
Il s'allume et s'éteint fréquemment	La T° de la pièce est trop élevée. Il y a trop de nourriture dans l'appareil. La porte est ouverte trop fréquemment. La porte n'est pas complètement fermée. Le thermostat n'est pas réglé correctement. Le joint de porte n'est pas étanche. Le réfrigérateur n'est pas suffisamment dégagé
Il vibre	Vérifiez que l'appareil soit bien posé sur le sol et à niveau.
Il fait beaucoup de bruit.	Le bruit de cliquetis peut provenir du mouvement du liquide de réfrigération, ce qui est normal. À la fin de chaque cycle, vous pouvez entendre des gargouillements provoqués par le mouvement du liquide de réfrigération La contraction et l'expansion des parois internes peuvent produire des bruits de craquement. Le réfrigérateur n'est pas à niveau.
La porte ne ferme pas correctement	Le réfrigérateur n'est pas à niveau. La porte n'a pas été inversée correctement. Le joint est sale. Les étagères ou les bacs gênent la fermeture.

GARANTIE

La durée de garantie de nos produits est de 2 ans, sauf décret en vigueur, à compter de la date d'achat initiale ou la date de livraison.

En cas de problèmes ou d'interrogations, vous pouvez facilement accéder à nos pages d'aides, conseils de dépannage, FAQ et modes d'emplois sur notre site SAV : <https://sav.hkoenig.com>.

En tapant le nom de référence de votre appareil dans la barre de recherche, vous accédez à tous les supports en ligne disponibles, conçus pour vous répondre au mieux à vos besoins.

Si vous ne trouvez toujours pas de réponse à votre question ou votre problème, alors cliquez sur « Est-ce que la réponse a résolu votre problème ? ». Vous accéderez alors au formulaire de demande d'assistance SAV, qu'il vous suffira de compléter pour valider votre demande et obtenir de l'aide.

CONDITIONS DE GARANTIE

La garantie couvre l'ensemble des pannes survenant dans le cadre d'une utilisation normale, conforme aux usages et spécifications présentes sur le manuel d'utilisation.

Cette garantie ne s'applique pas aux problèmes d'emballage ou de transport pendant l'expédition du produit par son propriétaire. Elle n'inclut également pas l'usure normale du produit, ni la maintenance ou le remplacement de pièces consommables.

EXCLUSION DE GARANTIE

- Les accessoires et les pièces d'usure (*).
- L'entretien normal de l'appareil.
- Toutes pannes survenant par suite d'une mauvaise utilisation (chocs, non-respect des préconisations d'alimentation électrique, mauvaises conditions d'utilisation, etc.), d'un entretien insuffisant ou d'un détournement de fonction de l'appareil, ainsi que l'usage d'accessoires non

appropriés.

- Les dommages d'origine externe : incendie, dégâts des eaux, surtension électrique, etc.
- Tout matériel qui aura été démonté même partiellement par des personnes autres que celles habilitées (notamment l'utilisateur).
- Les produits dont le numéro de série serait absent, détérioré ou illisible que ne permettrait pas son identification.
- Les produits soumis à la location, à la démonstration ou à l'exposition.

(* Certaines pièces de votre appareil dites pièces d'usure ou consommables se détériorent avec le temps et la fréquence d'usage de votre appareil. Cette usure est normale, mais peut être accentuée par des mauvaises conditions d'utilisation ou entretien de votre appareil. Ces pièces ne sont donc pas couvertes par la garantie.

Les accessoires fournis avec l'appareil sont également exclus du champ de la garantie. Ils ne peuvent donc être ni échangés, ni remboursés. Toutefois, certains accessoires peuvent être directement achetés via notre site : <https://sav.hkoenig.com/>.

ENVIRONNEMENT

ATTENTION :



Vous ne devez pas vous débarrasser de cet appareil avec vos déchets ménagers. Un système de collecte sélective pour ce type de produit est mis en place par les communes, vous devez vous renseigner auprès de votre mairie afin d'en connaître les emplacements. En effet, les produits électriques et électroniques peuvent contenir des substances dangereuses qui ont des effets néfastes sur l'environnement ou la santé humaine et doivent être recyclés. Le symbole ci-contre indique que les équipements électriques et électroniques font l'objet d'une collecte sélective, il représente une poubelle sur roues barrée d'une croix.

Adeva SAS / H.Koenig Europe - 8 rue Marc Seguin - 77290 MitryMory - France

www.hkoenig.com - sav@hkoenig.com - contact@hkoenig.com - Tél: +33 1 64 67 00 05

DEUTSCH

VOR DEM GEBRAUCH, LESEN UND BEFOLGEN SIE BITTE ALLE SICHERHEITSANWEISUNGEN UND BEDIENUNGSANLEITUNGEN.

WICHTIGE SICHERHEITSANWEISUNGEN

WARNUNG

Um das Risiko eines Brandes, eines Stromschlages oder Verletzungen bei der Nutzung Ihres Kühlschranks zu vermeiden, folgen Sie bitte diesen grundlegenden Vorsichtsmaßnahmen:

- Lesen Sie alle Anweisungen, bevor Sie den Kühlschrank benutzen.
- **GEFAHR oder WARNUNG:** Einklemmrisiko für Kinder. Achtung vor Einklemmung und Erstickung von Kindern. Weggeworfene oder verlassene Kühlschränke sind immer noch gefährlich... auch wenn sie „in der Garage für ein paar Tage liegen bleiben“.
- **Bevor Sie Ihren alten Kühlschrank wegwerfen:** Entfernen Sie die Tür. Lassen Sie die Regale drin, so dass Kinder nicht so einfach dort hinein klettern können.
- Erlauben Sie Kindern nie, das Gerät zu bedienen, damit zu spielen oder in den Kühlschrank hineinzukriechen.
- Reinigen Sie die Teile des Kühlschranks nie mit entflammenden Flüssigkeiten. Die Dämpfe können Gefahren eines Brandes oder einer Explosion erzeugen.
- Benutzen Sie kein Benzin oder andere entzündlichen Dämpfe und Flüssigkeiten, und bewahren Sie diese nicht in der Nähe von diesem oder jedem anderen Gerät auf. Die Dämpfe können Gefahren eines Brandes oder einer Explosion erzeugen.
- Dieses Gerät kann von Personen mit eingeschränkten

körperlichen, sensorischen oder geistigen Fähigkeiten oder mangelnder Erfahrung und Kenntnis benutzt werden, vorausgesetzt, dass sie beaufsichtigt oder in der sicheren Benutzung des Gerätes unterwiesen werden und die möglichen Gefahren vollständig verstehen

- Bedienen Sie das Gerät nicht, wenn das Kabel oder der Stecker beschädigt ist, wenn es nicht richtig funktioniert, heruntergefallen ist oder anderweitig beschädigt wurde. Wenn das Stromkabel in jeglicher Weise beschädigt ist, darf es nur vom Hersteller, einer von ihm beauftragten Werkstatt oder einer ähnlich qualifizierten Person ersetzt werden, um Gefährdungen zu vermeiden.

- **WARNUNG:** Halten Sie Lüftungsöffnungen in dem Gehäuse oder integrierten Strukturen des Gerätes frei.

- **WARNUNG:** Benutzen Sie keine mechanischen Geräte oder andere Mittel, um den Abtauvorgang zu beschleunigen, außer denen, die von dem Hersteller empfohlen wurden.

- **WARNUNG:** Beschädigen Sie den Kältemittelkreislauf nicht.

- **WARNUNG:** Benutzen Sie keine elektrischen Geräte in dem Lebensmittel-Lagerfach des Gerätes, es sei denn sie wurden von dem Hersteller empfohlen.

- Lagern Sie keine explosiven Stoffe wie zum Beispiel Aerosoldosen mit entzündlichen Treibgasen in diesem Gerät.

- Dieses Gerät ist für den Einsatz in Haushalten und ähnlichen Anwendungen bestimmt, wie zum Beispiel:

- Küchenbereiche in Geschäften, Büros und anderen Arbeitsumgebungen

- die Bauernhöfe

- in Hotels, Motels und anderen Wohnumgebungen

- Gästezimmer.

- Dieses Gerät darf von Kindern ab 8 Jahren benutzt werden, sofern diese beaufsichtigt werden oder eine Einweisung in den sicheren Gebrauch des Gerätes erhalten haben und die damit verbundenen Gefahren verstehen.
- Kinder dürfen das Gerät reinigen oder pflegen, wenn sie mindestens 8 Jahre alt sind und von einem Erwachsenen beaufsichtigt werden.
- Bewahren Sie das Gerät und das zugehörige Netzkabel außerhalb der Reichweite von Kindern unter 8 Jahren auf.
- Bei der Verwendung elektrischer Geräte sind stets Sicherheitsvorkehrungen zu treffen, um bei unsachgemäßer Verwendung die Gefahr von Bränden, elektrischen Schlägen und/oder Verletzungen zu vermeiden.
- Achten Sie darauf, dass die auf dem Typenschild angegebene Nennspannung mit Ihrer Netzspannung übereinstimmt Ihrer Installation. Wenn dies nicht der Fall ist, wenden Sie sich an den Händler und schließen Sie das Gerät nicht an.
- Lassen Sie das Gerät während des Betriebs niemals unbeaufsichtigt.
- Bitte halten Sie dieses Dokument bereit und geben Sie es im Falle einer Übertragung Ihres Gerätes an den zukünftigen Besitzer weiter.
- Das Gerät darf nicht benutzt werden, wenn es fallen gelassen wurde, wenn auffällige Zeichen von Beschädigung sichtbar sind oder wenn es undicht ist. Öffnen Sie das Gerät niemals von vorne, sondern stellen Sie sich immer leicht zur Seite, um sich nicht mit Dampf zu verbrennen.

Kältemittel

Das im Kreislauf dieser Vorrichtung enthaltene Kältemittelgas ist Isobutan (R 600a), ein umweltfreundliches, aber brennbares Gas.

- Achten Sie beim Transport und bei der Installation des Geräts darauf, keinen Teil des Kühlkreislaufs zu beschädigen

- Verwenden Sie zum Auftauen des Geräts keine scharfen oder spitzen Werkzeuge.

- Verwenden Sie kein Elektrogerät im Gerät.

Wenn das Kühlsystem beschädigt ist:

- Verwenden Sie keine Flamme in der Nähe des Geräts.
- Vermeiden Sie Funken - zünden Sie keine Elektrogeräte oder Taschenlampen an.

Lüften Sie den Raum sofort

-Bewahren Sie diese Anweisungen auf-

INSTALLATIONSANWEISUNGEN

☐ Vor der Nutzung Ihres Kühlschranks

- Entfernen Sie alle Außen- und Innenverpackungen.
- Überprüfen Sie, ob alle folgenden Teile anwesend sind:
 - 1 Bedienungsanleitung
- Bevor Sie den Kühlschrank an der Energiequelle anschließen, lassen Sie ihn für ungefähr 2 Stunden aufrecht stehen. Dies wird die Möglichkeit einer Fehlfunktion, die in dem Kühlsystem wegen unsachgemäßer Behandlung während des Transports entstehen könnte, verringern.
- Reinigen Sie die Außenfläche mit lauwarmen Wasser und einem weichen Tuch.

● Installation Ihres Kühlschranks

- Der Kühlschrank ist ausschließlich für die freie Platzierung bestimmt und darf nicht vertieft oder eingebaut werden.
- Platzieren Sie den Kühlschrank auf dem Boden, der stark genug ist, um den Kühlschrank auszuhalten, wenn er vollständig beladen ist. Um Ihren Kühlschrank zu nivellieren, passen Sie die Nivellierfüße auf dem Boden des Kühlschranks an.
- Lassen Sie 12 Zentimeter Platz zwischen der Rückwand und den Seiten des Kühlschranks, um ausreichende Belüftung für die Kühlung des Kompressors zu ermöglichen.
- Platzieren Sie den Kühlschrank von direkter Sonnenstrahlung und Wärmequellen (Herd, Heizkörper, Radiator usw.) fern. Direkte Sonnenstrahlung kann die Acrylbeschichtung beschädigen und die Wärmequellen werden ihren Stromverbrauch erhöhen. Eine extrem kalte Umgebungstemperatur kann auch die Leistung des Gerätes behindern.
- Installieren Sie den Kühlschrank nie an feuchten Stellen.
- Schließen Sie den Kühlschrank an einer dafür geeigneten, ordnungsgemäß installierten und geerdeten Steckdose an. Unter keinen Umständen schneiden Sie den dritten Erdungskontakt ab oder entfernen ihn aus dem Netzkabel. Alle Fragen über den Strom und/oder Erdung müssen einer Elektrofachkraft oder einem autorisierten Servicezentrum gestellt werden.
- Nachdem Sie das Gerät angeschlossen haben, schalten Sie es an und lassen Sie die Einheit 2 ~ 3 Stunden abkühlen, bevor Sie Lebensmittel in dem Kühlschrankfach platzieren.

● Elektrische Verbindung

Warnung

Unsachgemäßer Gebrauch des Schutzkontaktsteckers kann zu einem Risiko eines Stromschlages führen. Wenn das Stromkabel beschädigt ist, lassen Sie es in einem autorisierten Servicezentrum ersetzen.

Für Ihre Sicherheit muss der Kühlschrank ordentlich geerdet sein. Das Stromkabel des Kühlschranks ist mit einem Zwei-Zinken-Stecker ausgestattet, der zu der normalen Zwei-Zinken-Steckdose passt, um die Möglichkeit eines Stromschlages zu minimieren.

Unter keinen Umständen schneiden Sie den dritten Erdungskontakt ab oder entfernen ihn aus dem Netzkabel.

Der Kühlschrank benötigt eine standardgemäße 220-240 Volt AC~50Hz Steckdose mit der Zwei-Zinken- Grundlage.

Das Kabel muss hinter dem Kühlschrank befestigt und nicht ausgesetzt und hängend gelassen werden, um unbeabsichtigte Verletzungen zu vermeiden.

Trennen Sie den Kühlschrank nie vom Netz, indem Sie am Kabel ziehen. Halten Sie immer den Stecker fest, dann ziehen Sie ihn geradeaus aus der Steckerbuchse.

Benutzen Sie kein Verlängerungskabel mit dem Gerät. Wenn das Stromkabel zu kurz ist, beauftragen Sie eine Elektrofachkraft oder einen Servicetechniker, eine Steckdose näher zu dem

Gerät zu installieren.

- **Umstellung der Türanschlüsse auf Ihrem Gerät**

Der Kühlschrank verfügt über eine Funktion, die Tür entweder von der linken oder von der rechten Seite zu öffnen. Das Gerät ist mit der Tür geliefert, die von links öffnet. Falls Sie die Öffnungsrichtung verändern möchten, wenden Sie sich an den Kundendienst für die Umstellungs-Anweisungen.

BEDIENUNG IHRES GERÄTES

- **Die Temperaturkontrolleeinstellen**

- Um die innere Temperatur zu kontrollieren, stellen Sie den Drehregler entsprechend der Umgebungstemperatur und dem Benutzungsziel ein.
- Wenn Sie das Gerät zum ersten Mal anmachen, stellen Sie die Temperaturkontrolle auf „6“ ein.
- Der Bereich der Temperaturkontrolle rangiert von der Position „AUS“ bis „6“. Nach 24 bis 48 Stunden, stellen Sie die Temperaturkontrolle auf die für Ihnen passende Einstellung ein. Die Einstellung „3“ sollte für den Haushalts- oder Bürogebrauch angemessen sein.

HINWEIS:

- Wenn das Gerät vom Netz getrennt oder ausgeschaltet ist, oder der Strom ausgefallen ist, müssen Sie für 3 bis 5 Minuten warten, bevor Sie das Gerät neustarten. Wenn Sie das Gerät ohne diese Zeitverzögerung starten, wird der Kühlschrank nicht angehen.

- **Das Gefrierfach**

- Dieses Fach ist für die Langzeitlagerung von Tiefkühlkost ausgelegt.
- Die Haltbarkeit von Tiefkühlkost variiert je nach Lebensmittel und die empfohlene Haltbarkeit sollte nicht überschritten werden. Anweisungen zum Lagern von Tiefkühlkost müssen beim Auftauen des Geräts befolgt werden.
- Im Handel erhältliche vorverpackte Tiefkühlkost sollte gemäß den Anweisungen des Herstellers in einem Drei-Sterne-Tiefkühlfach oder einem Gefrierschrank zu Hause gelagert werden.
- Legen Sie Tiefkühlkost so bald wie möglich nach dem Kauf in den Gefrierschrank. Wenn sich auf der Verpackung Anweisungen befinden, befolgen Sie die Anweisungen zur Lagerzeit sorgfältig.

PFLEGE UND WARTUNG

- **EntfrostenthresKühlschranks**

Entfrostent Sie Ihren Kühlschrank, wenn der Frost, der sich auf dem Verdampfer gesammelt hat, die Dicke von ca. 5 mm (1/5 Zoll) erreicht. Setzen Sie die Einstellscheibe des Thermostats auf die „OFF“ Position. Entfernen Sie die eingefrorenen oder verderblichen Produkte. Entfrostent dauert normalerweise ein paar Stunden. Nach dem Entfrostent drehen Sie die Einstellscheibe des Thermostats zurück in die gewünschte Position. Um schnell zu entfrostent, entfernen Sie alle Lebensmittel aus dem Kühlschrank und lassen Sie die Tür offen. Benutzen Sie nie ein Messer oder andere Metallinstrumente, um das Eis/den Frost von dem Verdampfer abzukratzen.

- **ReinigungthresKühlschranks**

- Drehen Sie die Temperaturkontrolle auf „AUS“, trennen Sie den Kühlschrank vom Netz, entfernen Sie alle Lebensmittel, Regale, und Tablettts.
- Reinigen Sie die innere Fläche mit einer Lösung aus warmem Wasser und Natron. Die Lösung sollte 2 Esslöffel von Natron auf einen halben Liter Wasser beinhalten.
- Reinigen Sie die Regale und Tablettts mit einer milden Reinigungslösung.
- Die Außenfläche des Kühlschranks muss mit einem milden Reinigungsmittel und warmem Wasser gereinigt werden.
- Wringen Sie überschüssiges Wasser aus dem Schwamm oder Tuch, bevor Sie den Bereich der Steuerung, oder andere elektrische Teile reinigen.
- Reinigen Sie die Außenseite des Gehäuses mit warmem Wasser und mildem Reinigungsmittel. Spülen Sie diese sorgfältig ab und wischen Sie diese trocken mit einem sauberen weichen Tuch.

- **Urlaubszeit**

- **Kurzer Urlaub:** Lassen Sie den Kühlschrank im Betrieb während des Urlaubs, der weniger als drei Wochen dauert.
- **Langer Urlaub:** Wenn der Kühlschrank für ein paar Monate nicht benutzt wird, entfernen Sie alle Inhalte, und ziehen Sie den Stecker. Reinigen und trocknen Sie die Innenfläche sorgfältig. Um die Entstehung von Geruch oder Schimmel zu vermeiden, lassen Sie die Tür leicht geöffnet: blockieren Sie diese offen, falls nötig.

- **Umstellung Ihres Kühlschranks**

- Entfernen Sie alle Inhalte.
- Fixieren Sie alle losen Gegenstände in Ihrem Gerät mit Klebeband.
- Drehen Sie die Nivellierschraube auf zu der Grundlage, um Beschädigungen zu vermeiden.
- Kleben Sie die Tür zu.
- Vergewissern Sie sich, dass der Kühlschrank sicher in der senkrechten Position während des Transports bleibt. Schützen Sie auch die Außenseite des Gerätes mit einer Decke oder einem ähnlichen Gegenstand.

- **Energiespartipps**

- Der Kühlschrank sollte an der kältesten Stelle des Raums platziert werden, entfernt von Heizgeräten, und nicht unter direkter Sonnenstrahlung.
- Lassen Sie das heiße Essen bis zur Raumtemperatur abkühlen, bevor Sie dieses in dem Kühlschrank platzieren. Das Überfüllen des Kühlschranks zwingt den Kompressor dazu, länger zu arbeiten.
- Vergewissern Sie sich, dass die Lebensmittel richtig eingewickelt sind, wischen Sie die Behälter trocken, bevor Sie diese in dem Kühlschrank platzieren. Dies hilft, den Frostaufbau in dem Kühlschrank zu verringern.
- Der Vorratsbehälter des Kühlschranks darf nicht mit Aluminiumfolie, Wachspapier, oder Papierhandtüchern ausgekleidet werden. Auskleidungen beeinträchtigen die Kaltluft-Zirkulation, und verringern die Leistung des Kühlschranks.
- Organisieren und markieren Sie Lebensmittel, um die Türöffnungen und ausgedehnte Suchen zu minimieren. Entnehmen Sie so viele Produkte wie nötig auf einmal und schließen Sie die Tür sobald wie möglich.

KEHREN SIE DIE TÜRÖFFNUNG UM

Bei Bedarf kann die Türöffnung von rechts (Auslieferungszustand) auf die linke Seite versetzt werden.

WARNUNG

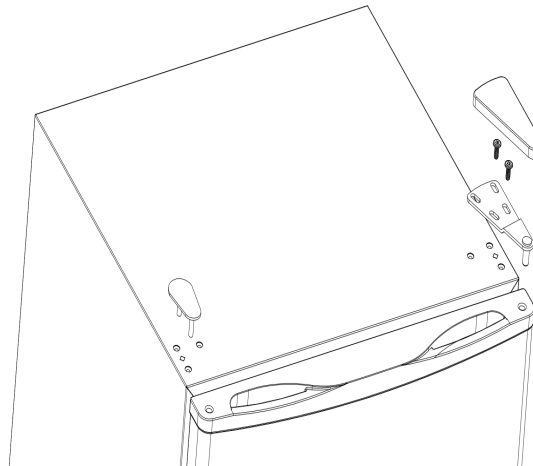
Beim Austausch des Türstoppers muss das Gerät zuerst vom Stromnetz getrennt werden.

HINWEIS

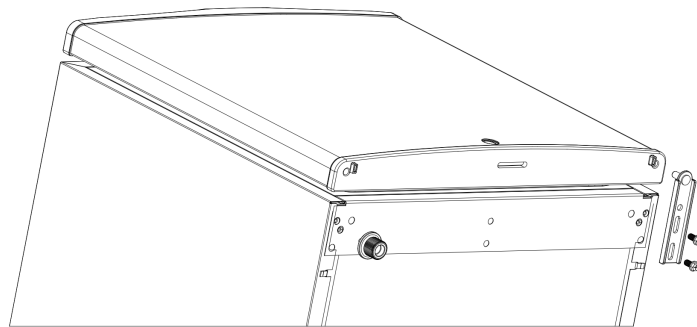
Bitten Sie eine andere Person um Hilfe.

Sie benötigen ggf.: Schraubenschlüssel, Kreuzschlitzschraubendreher sowie einen Schlitzschraubendreher.

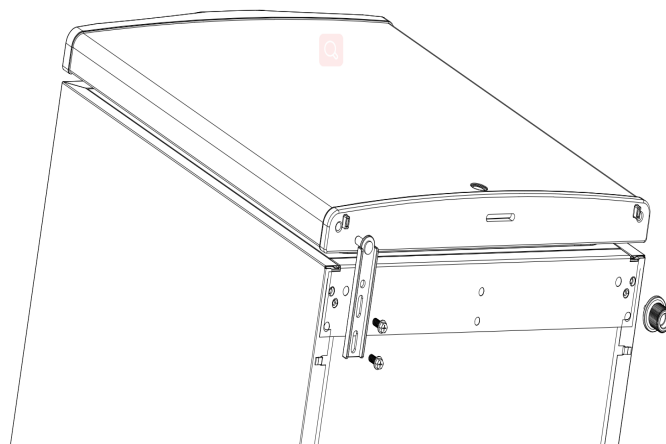
Schritt 1: Entfernen Sie die Kunststoffabdeckung und die Scharnierabdeckung. Lösen Sie die Schrauben.



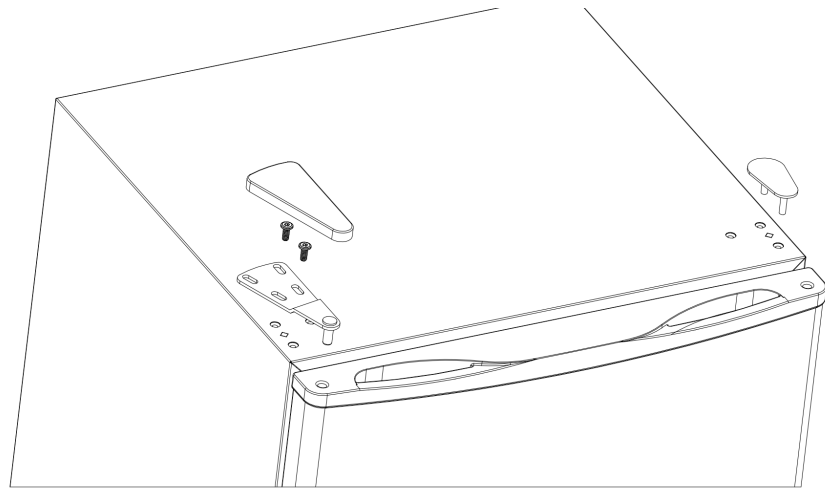
Schritt 2: Demontieren Sie das untere Türscharnier und die FüÙe, indem Sie die Schrauben lösen.



Schritt 3: Verschieben und befestigen Sie das untere Türscharnier einschließlich der FüÙe mit den Schrauben.



Schritt 4: Entfernen Sie das obere Scharnier und die Abdeckung von rechts nach links. Befestigen Sie das obere Türscharnier mit den Schrauben und decken Sie die Kunststoffabdeckung und die Scharnierabdeckung ab.



PROBLEME MIT IHREM KÜHLSCHRANK

Sie können viele häufige Kühlschrank-Probleme einfach lösen, und sparen dabei die Kosten des eventuellen Serviceanrufs. Probieren Sie die Vorschläge unten aus, um zu sehen, ob Sie dieses Problem lösen können, bevor Sie den Kundendienst anrufen.

FEHLERSUCHEANLEITUNG

PROBLEM	MÖGLICHE URSACHE
Der Kühlschrankfunktioniert nicht.	Nicht angeschlossen. Der Leistungsausschalter ist ausgeschaltet oder die Sicherung ist durchgebrannt. Die Temperaturkontrolle des Kühlschranks ist auf „AUS“ eingestellt.
Geht oft an und aus.	Die Raumtemperatur ist höher als normal. Eine große Menge von Lebensmitteln wurde im Kühlschrank platziert. Die Tür wird zu oft geöffnet. Die Tür ist nicht komplett geschlossen. Die Temperaturkontrolle ist nicht korrekt eingestellt. Die Türdichtung verschließt nicht richtig. Der Kühlschrank hat keine korrekten Räumungen.
Vibrationen.	Vergewissern Sie sich, dass der Kühlschrank eben steht.
Der Kühlschrank scheint zu viel Lärm zu machen.	Das Klappergeräusch kann von dem Betrieb des Kühlschranks entstehen, was normal ist. Nach jedem Kreislauf können Sie gurgelnde Geräusche hören, die durch den Fluss von Kältemittel in Ihrem Kühlschrank verursacht wird. Kontraktionen und Ausdehnungen von inneren Wänden können platzende und knallende Geräusche zur Folge haben. Der Kühlschrank steht nicht eben.
Die Tür schließt nicht richtig.	Der Kühlschrank steht nicht eben. Die Tür wurde umgedreht und nicht ordentlich installiert. Die Dichtung ist dreieckig. Die Regale, Behälter, oder Körbe sind am falschen Platz.

GARANTIE

Die Garantiezeit für unsere Produkte beträgt 2 Jahre, sofern keine anderen Bestimmungen gelten, ab dem Datum des ursprünglichen Kaufs oder ab dem Lieferdatum.

Bei Problemen oder Fragen können Sie sich an unsere Hilfeseiten, Tipps zur Fehlerbehebung, FAQs und Bedienungsanleitungen auf unserer Kundendienst-Website wenden:

<https://sav.hkoenig.com>.

Wenn Sie den Referenznamen Ihres Geräts in die Suchleiste eingeben, erhalten Sie Zugang zu allen verfügbaren Online-Supports.

Wenn Sie immer noch keine Antwort auf Ihre Frage oder Ihr Problem finden, dann klicken Sie auf "Hat die Antwort Ihr Problem gelöst?". Sie können dieses Formular ausfüllen, um Ihre Anfrage zu bestätigen und Hilfe zu erhalten.

GARANTIEBEDINGUNGEN

Die Garantie deckt alle Defekte ab, die bei normalem, bestimmungsgemäßem Gebrauch und den in der Bedienungsanleitung enthaltenen Spezifikationen auftreten.

Diese Garantie gilt nicht für Probleme mit der Verpackung oder dem Transport während des Versands des Produkts durch den Eigentümer. Sie umfasst auch nicht den normalen Verschleiß des Produkts, die Wartung oder den Austausch von Verschleißteilen.

AUSSCHLUSS DER GARANTIE

- Zubehör und Verschleißteile (*).
- Die normale Wartung des Geräts.

- Alle Defekte, die durch unsachgemäßen Gebrauch (Stöße, Nichteinhaltung der empfohlenen Stromzufuhr, schlechte Nutzungsbedingungen usw.), unzureichende Wartung oder Zweckentfremdung des Geräts auftreten, sowie die Verwendung von ungeeignetem Zubehör.
- Schäden durch äußere Einflüsse: Brand, Wasserschäden, elektrische Überspannung usw.
- Alle Geräte, die von anderen als den befugten Personen (insbesondere dem Nutzer) auch nur teilweise auseinandergelassen wurden.
- Produkte, deren Seriennummer fehlt, beschädigt oder unleserlich ist, sodass sie nicht identifiziert werden können.
- Produkte, die vermietet, vorgeführt oder ausgestellt werden.

(*) Einige Teile Ihres Geräts, die als Verschleißteile oder Verbrauchsmaterialien bezeichnet werden, verschleiben mit der Zeit und der Häufigkeit der Nutzung Ihres Geräts. Diese Abnutzung ist normal, kann aber durch falsche Nutzung oder Pflege Ihres Geräts noch verstärkt werden. Diese Teile sind daher nicht durch die Garantie abgedeckt. Das mit dem Gerät gelieferte Zubehör ist ebenfalls von der Garantie ausgeschlossen. Sie können daher weder umgetauscht noch erstattet werden. Einige Zubehöerteile können jedoch direkt über unsere Website <https://sav.hkoenig.com/> erworben werden.

UMWELT

ACHTUNG:



Werfen Sie nicht dieses Produkt, wie es mit anderen Haushaltsprodukten hat. Es gibt eine Mülltrennung von diesem Produkt in Gemeinden, Sie müssen Ihre lokalen Behörden über die Orte, wo man dieses Produkt zurückgeben können zu informieren. In der Tat enthalten elektrische und elektronische Produkte gefährliche Stoffe, die schädliche Auswirkungen auf die Umwelt oder die menschliche Gesundheit haben und sollte recycelt werden. Das Symbol hier darauf hinweisen, dass elektrische oder elektronische Geräte sollten sorgfältig ausgewählt werden, ist ein fahrbarer Abfallbehälter mit einem Kreuz markiert.

Adeva SAS / H.Koenig Europe - 8 rue Marc Seguin - 77290 MitryMory - France

www.hkoenig.com - sav@hkoenig.com - contact@hkoenig.com - Tél: +33 1 64 67 00 05

NEDERLANDS

VOOR GEBRUIK, EERST ALLE GEBRUIKERS- EN VEILIGHEIDSINSTRUCTIES LEZEN.

BELANGRIJKE VEILIGHEIDSINSTRUCTIES WAARSCHUWING

Om het risico op vuur, elektrischeshok, of verwondingteverkleinenbij het gebruik van dezekoelkast, volgdezevoorzorgsmaatregelen:

- Lees alleinstructiesvoor u gebruikmaakt van de koelkast.
- **GEVAAR of WAARSCHUWING:**Risico op kind insluiting. Beknelling van kinderenenverstikkingzijngeneenproblemen uit het verleden. Kapotte of achtergelatenkoelkastenzijnnog steeds gevaarlijk . . . ookals 'ze even eenpaardagen in de garage staan.'
- **Voordat u gooi je oude koelkast weg:** Haal de deureraf. Laat de planken en ga zitten, zodat kinderen niet gemakkelijk zijn
 - in kunnen.
 - Laatkinderen nooit de koelkastbedienen, ermeespelen of erinkruipen.
 - Nooit onderdelen van de koelkastschoonmaken met brandbarevloeistoffen. De dampen kunnenvuur of eenexplosieveroorzaken.
 - Gebruik of slageen benzine of anderebrandbare dampen of vloeistoffen op in de buurt van deze of elkeanderekoelkast. De dampen kunnenvuur of eenexplosieveroorzaken.
 - Dit apparaat kan worden gebruikt door personen met verminderde fysieke, zintuiglijke of mentale vermogens of met gebrek aan ervaring of kennis, op voorwaarde dat zij onder toezicht staan of instructies hebben gekregen over

het veilige gebruik van het apparaat en dat zij de mogelijke gevaren volledig begrijpen.

- Gebruik dit apparaat niet als het een beschadigde kabel of stekker heeft, het niet correct werkt of als het beschadigd is of is gevallen. Als de stroomkabel beschadigd is, moet het worden vervangen door de fabrikant, klantenservice, servicemonteur of een gelijkwaardig gekwalificeerd persoon, om gevaren te vermijden.

- **WAARSCHUWING:** Houd de ventilatieopeningen van het apparaat, of het binnenwerk, vrij van obstructies.

- **WAARSCHUWING:** Gebruik geen mechanische apparaten of anderemiddelen om het vriesprocesteversnellen, tenzij ze wordenaanbevolen door de fabrikant.

- **WAARSCHUWING:** Niet het koelcircuitbeschadigen.

- **WAARSCHUWING:** Gebruik geen mechanische apparaten in de voedselruimtes van het apparaat, tenzijdit type wordtaanbevolen door de fabrikant.

- Geen explosieve stof zoals aerosol bussen met eenbrandbaardrijfgas in ditapparaatopslaan.

- Dit apparaat is bedoeld voor gebruik in huishoudelijke en soortgelijke toepassingen zoals:

- keukenruimtes in winkels, kantoren en andere werkomgevingen

- de boerderijen

- in hotels, motels en andere woonachtige omgevingen

- gastenkamers.

- Ditapparaat mag wordengebruikt door kinderen vanaf 8 jaar en ouder indien dit gebeurtondertoezicht, alszij van tevoreninstructieshebbenontvangen betreffende het veiligegebruik van het apparaat en als zij de mogelijkegevarenkennen.

- Reinigingenonderhoudmogennietworden uitgevoerd door kinderen tenzij ze 8 jaar of ouder zijn en ondertoezicht van een volwassene staan.
- Houd het apparaat en het snoerbuitenbereik van kinderen onder de 8 jaar.
- Bij het gebruik van elektrische apparatuur moet altijd veiligheidsmaatregelen worden genomen om het risico van brand, elektrische schokken/ of letsel in geval van verkeerd gebruik te voorkomen.
- Controleer of de spanning op het typeplaatje overeenkomt met de spanning die op het typeplaatje staat van uw installatie. Als dit niet het geval is, neem dan contact op met de dealer en sluit het apparaat niet aan.
- Laat het apparaat nooit onbeheerd achter terwijl het in bedrijf is.
- Bewaar dit document bij de hand en geef het aan de toekomstige eigenaar in geval van overdracht van uw apparaat.
- Het apparaat mag niet worden gebruikt als het is gevallen, er zijn duidelijke tekenen van schade zichtbaar of er zijn lekken.

Koelmiddel

Het koelgas in het circuit van dit apparaat is isobutaan (R 600a), een weinig vervuilend maar brandbaar gas.

- Let er bij het transporteren en installeren van het apparaat op dat u geen enkel onderdeel van het koelcircuit beschadigt
- Gebruik geen scherpe of puntige gereedschappen om het apparaat te ontgooien.
- Gebruik geen elektrisch apparaat in het apparaat.

Als het koelsysteem beschadigd is:

- Gebruik geen vlam in de buurt van het apparaat.
- Vermijd vonken - steek geen elektrische apparaten of zaklampen aan.

Ventileer de kamer onmiddellijk

-Bewaardezehandleiding-

INSTALLATIE INSTRUCTIES

- **Voordat u uw koelkast gebruikt**

- Verwijder het verpakkingsmateriaal aan de buiten- en binnenkant.
- Controleer dat u de zepen heeft:
 - 1 Gebruikershandleiding
- Voordat u de koelkast aansluit op het lichtnet, laat hem eerst ongeveer 2 uur rechtop staan. Dit verkleint het risico dat het koelsysteem niet goed functioneert door verkeerd vervoer.
- Maak de binnenkant schoon met handwarm water en een zacht doek.

- **Installatie van uw koelkast**

- Dit apparaat is ontworpen om vrij te staan, en mag daarom niet ingebouwd worden.
- Plaats uw koelkast op een ondergrond die sterk genoeg is om de koelkast te dragen als deze volledig gevuld is. Om uw koelkastwaterpasta te zetten, gebruikt u de verstelbare poten onder de koelkast.
- Laat 12 cm ruimte tussen de achterkant en de zijkanten van de koelkast, wat zorgt voor een goede luchtcirculatie om de compressor te koelen.
- Houd de koelkast uit direct zonlicht en weg van warmtebronnen (kachel, boiler, radiator, etc.). Direct zonlicht kan de coating van acryl aantasten en warmtebronnen kunnen het stroomverbruik doen laten stijgen.
Extreem koude omgevingstemperaturen kunnen ook zorgen dat de koelkast niet juist functioneert.
- Vermijd dat de koelkast in een vochtigere ruimte komt te staan.
- Steek de stekker van de koelkast in een apart, correct geaard stopcontact. Ondergeenbeding de derde draad (aarde) van de stroomkabel verwijderen. Vragen wat betreft stroom en/of aarding moeten worden gesteld aan een gecertificeerde elektricien of reparatiebedrijf.
- Nadat het apparaat is aangesloten op een stopcontact, laat hem eerst 2-3 uur koelen voordat u voedsel in de koelkast stopt.

- **Elektrische verbinding**

Waarschuwing

Incorrect gebruik van de geaarde stekker kan resulteren in een elektrisch schok. Als de stroomkabel beschadigd is, moet die vervangen worden door een erkend reparatiebedrijf.

Deze koelkast moet correct geaard worden voor uw veiligheid. De stroomkabel van deze koelkast is voorzien van een stekker met aarde die overeenkomt met een geaard stopcontact om het risico op een elektrisch schok te verminderen.

Ondergeenbeding de derde draad, de aarde, van de meegeleverde stroomkabel verwijderen.

Deze koelkast heeft een standaard 220-240 Volt A.C.~/50Hz elektrisch stopcontact voorzien van aarde.

De stroomkabel moet achter de koelkast worden opgeborgen om ongelukken te vermijden.

Nooit de koelkast van het stroomhalen door aan de kabel te trekken. Altijd de stekker stevig vastpakken en recht uit het stopcontact trekken.

Gebruik geen verlengkabel met dit apparaat. Als de stroomkabel te kort is, laat dan een gecertificeerde elektricien of servicemonteur een stopcontact bij het apparaat plaatsen.

- **Het omhangen van de deur van uw apparaat**

Deze koelkast kan worden gebruikt met de deur die opengaat naar links of naar rechts. Het apparaat is u geleverd met de deuropening aan de linkerkant. Als u wenst de deur om te hangen, bel de klantenservice voor de juiste instructies.

GEBRUIK VAN UW KOELKAST

- **De temperatuurinstelling instellen**

- Om de binnentemperatuur stelt u hem zo in dathijdat het past bij de omgevingstemperatuur of voor het gebruiksdoel.
- De eerstekeerdat u het apparaatinschakelt, stel de temperatuurinstelling op '6'.
- De temperatuurinstellingkanwordeningesteld van 'OFF' tot '6'. Na 24 tot 48 uurkunt u de temperatuurinstellingaanpassen naar de stand die het bestbij u past. Stand '3' zougeschiktmoetenzijnvoorhuisgebruik of op kantoor.

OPMERKING:

- Als het apparaat van het lichtnet is, de stroom is uitgevallen of is uitgeschakeld, dient u 3 tot 5 minutenwachtenvoordat u het apparaatopnieuw start. Als u probeerttestartenbinnendezeitijd, zal de koelkastnietaangaan.

- **Het vriesvak**

- Dit compartiment is ontworpen voor het langdurig bewaren van diepvriesproducten.
- De houdbaarheid van diepvriesproducten is afhankelijk van het voedsel en de aanbevolen houdbaarheid mag niet worden overschreden. De instructies voor het bewaren van diepvriesproducten moeten worden opgevolgd bij het ontdooien van het apparaat.
- Commercieel voorverpakte diepvriesproducten moeten volgens de instructies van de fabrikant worden bewaard in een driesterrenbewaarruimte voor diepvriesproducten of een thuisvriezer.
- Plaats diepvriesproducten zo snel mogelijk na aankoop in de vriezer. Als er instructies op de verpakking staan, volg dan zorgvuldig de instructies voor bewaartijd.

ZORG EN ONDERHOUD

- **Ontdooien van uwkoelkast**

Ontdooi uw koelkast als het ijs op de verdamper ongeveer 5mm (1/5 inch) dik is. Zet de knop van de thermostaat op de 'OFF'-stand. Verwijder bevroren of bedorven voedsel. Het ontdooienduurtnormaalgesproken een paar uur. Na het ontdooien weer de thermostaat op de gewenste stand zetten. Om snel te ontdooien al het voedsel er uithalen en de deur open laten staan. Nooit een mes of een ander metaal voorwerp gebruiken om ijs van de verdamper te schrapen.

Schoonmaken van uwkoelkast

- Stel de temperatuur in op 'OFF', haal de stekker uit het stopcontact, en verwijder het voedsel, de schappen en de bakken.
- Was de oppervlakken aan de binnenkant met een oplossing van warm water en soda. De verhouding zou ongeveer 2 eetlepels soda op een liter water.

- Was de schappenbakken met een mild sopje.
- De buitenkant van de koelkast moet worden schoongemaakt met een mild schoonmaakmiddel en warm water.
- Wring overvloedig water uit de spons of doekje voor het schoonmaken van de omgeving van het bedieningspaneel of andere elektrische onderdelen.
- Was de buitenkant met een oplossing van warm water en een mild schoonmaakmiddel. Goed afvegen en afdrogen met een zacht doek.

Vakantieperiode

- **Korte vakanties:** Laat de koelkast bij korte vakanties van drie weken of minder in werking.
- **Lange vakanties:** Als de koelkast meer dan een maand niet wordt gebruikt, verwijder het voedsel en haal de stekker uit het stopcontact. Maak de binnenkant schoon en droog het goed af. Om mogelijke geuren en schimmel te voorkomen, houd de deuren open door het te blokkeren indien nodig.

Verplaatsen van uw koelkast

- Verwijder al het voedsel.
- Plak alle losse onderdelen vast in uw koelkast.
- Draai de verstelbare poten helemaal in het apparaat om beschadiging te voorkomen.
- Plak de deurendicht.
- Zorg ervoor dat de koelkast rechtop blijft tijdens het transport. Bescherm de buitenkant met een deken of iets dergelijks.

Energiebesparing tips

- De koelkast moet worden geplaatst in het koudste gedeelte van de kamer, weg van warmtebronnen en niet in direct zonlicht.
- Laat warm voedsel afkoelen tot kamertemperatuur voordat u het in de koelkast zet. Als de koelkast te vol is zal de compressor langer moeten draaien.
- Zorg dat u voedsel goed verpakt, en veeg verpakking droog voor u ze in de koelkast zet. Dit vermindert de ijsafzetting in de koelkast.
- De opslagruimte van de koelkast mag niet worden bedekt met aluminiumfolie, waxpapier of keukenpapier. Bedekkingen laten de koude lucht circulatie veranderen, waardoor de efficiëntie daalt.
- Organiseer en label voedsel om zoveel mogelijk openen en zoeken te vermijden. Haal alle benodigde items er in één keer uit, en sluit de deur weer zo snel mogelijk.

OMKEER DE DEUROPENING

Indien nodig kan de deuropening van rechts (meegeleverde toestand) naar links worden verplaatst.

WAARSCHUWING

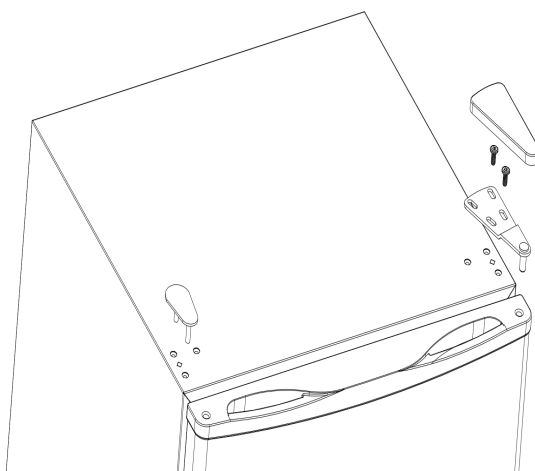
Bij het vervangen van de deurstopper moet het apparaat eerst van het stroomnet worden losgekoppeld.

OPMERKING

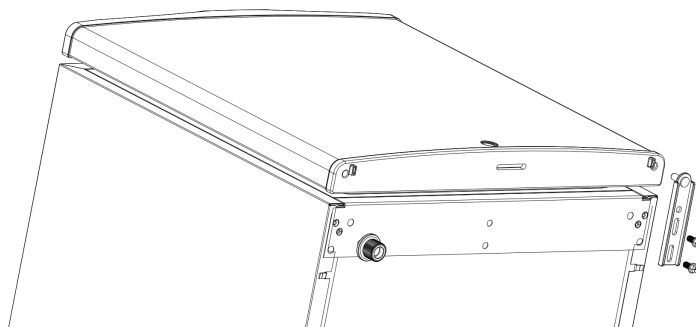
Vraag aan een andere persoon om te helpen.

Eventueel heeft u nodig: schroefsleutel, kruiskopschroevendraaier en een dunne schroevendraaier.

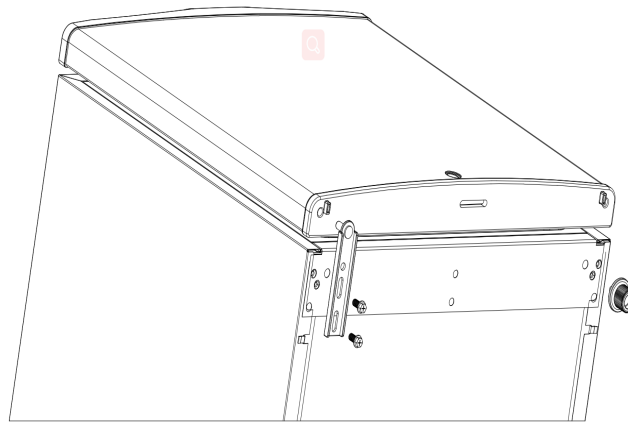
Stap 1: Verwijder de plastic kap en scharnierkap, draai de schroeven los.



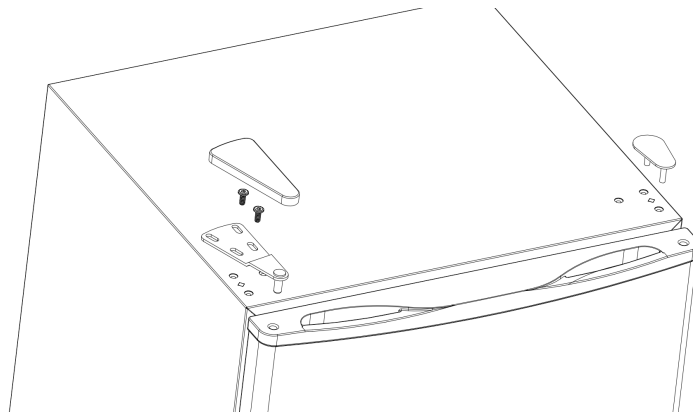
Stap 2: Demonteer het onderste deurscharnier en de voetjes door de schroeven los te draaien.



Stap 3: Verplaats en bevestig het onderste deurscharnier inclusief de voetjes met de schroeven.



Stap 4: Verwijder het bovenste scharnier en de afdekking van rechts naar links. Bevestig het bovenste deurscharnier met de schroeven en bedek het plastic deksel en het scharnierdeksel.



PROBLEMEN MET UW KOELKAST

Veelvoorkomende problemen met uw koelkast kunnen gemakkelijk worden opgelost, zonder een helpdesk te hoeven bellen. Probeer de onderstaande suggesties om te zien of u het probleem zelf op kunt lossen voordat u de helpdesk belt.

PROBLEEMOPLOSSING HANDLEIDING

PROBLEEM	MOGELIJKE OORZAAK
De koelkastwerkt niet.	De stekker is nietaangesloten. De stop is gesprongen. De temperatuurinstelling staat op 'OFF'.
Gaatvaakaan en uit.	De kamertemperatuur is hoger dan normaal. Een grote hoeveelheid voedsel is in de koelkast geplaatst. De deur is te vaak geopend. De deur is niet goed afgesloten. De temperatuurinstelling is niet goed ingesteld. De dichting van de deursluit is niet goed. De koelkast heeft niet voldoende ruimte rondom.
Vibraties.	Controleer dat de koelkast op een vlakke ondergrond staat.
De koelkast lijkt te veel geluid te maken.	Het tikken of geluid kan komen door de stroming van het koelmiddel, dat is normaal. Als een cycluseindigt kan u een gorgelend geluid horen dat veroorzaakt wordt door het koelmiddel in uw koelkast. Het uitzetten en krimpen van de binnenwanden kan voor kraakgeluiden zorgen. De koelkast staat niet vlak.
De deursluit is niet goed.	De koelkast staat niet vlak. De deur is omgedraaid en niet juist geïnstalleerd. De afdichting is vuil. De schappen, bakken of mandjes zitten niet op de juiste positie.

GARANTIE

De garantieperiode op onze producten is 2 jaar, tenzij anders vermeld, beginnend vanaf de datum van de initiële aankoop of bezorgdatum.

Als u problemen of vragen heeft, kunt u eenvoudig onze hulppagina's bezoeken voor tips om problemen op te lossen, de FAQ's en andere gebruikershandleidingen op onze website: <https://sav.hkoenig.com>.

Door de referentiernaam van uw apparaat in de zoekbalk te typen, krijgt u toegang tot alle beschikbare online hulpmiddelen, ontworpen om aan uw behoeften te voldoen.

Als u toch niet een antwoord op uw vraag kunt vinden, klik dan op "Heeft het antwoord uw probleem opgelost? Hierdoor gaat u naar het Aanvraagformulier voor Klantenondersteuning, dat u kunt vullen om uw verzoek te valideren en hulp te ontvangen.

GARANTIEVOORWAARDEN

De garantie dekt alle mankementen die voortkomen uit normaal gebruik, volgens de sectie gebruik en specificaties in de gebruikershandleiding.

Deze garantie omvat niet verpakkings- of transportproblemen tijdens het vervoer van het product door de eigenaar. Het omvat ook niet de normale slijtage van het product, noch het onderhoud of vervangen van verbruiksartikelen.

UITSLUITINGEN VAN DE GARANTIE

- Accessoires en verbruiksartikelen (*).
- Normaal onderhoud van het apparaat.
- Alle mankementen veroorzaakt door verkeerd gebruik (schokken, het niet opvolgen van de aanbevolen stroomvoorziening, in slechte omstandigheden gebruiken, etc.), onvoldoende onderhoud of ondeugdelijk gebruik van het apparaat, alsook het gebruik van ongeschikte accessoires.

- Schade van buitenaf: vuur, waterschade, elektrische stroompiek, etc.
- Apparaten die uit elkaar zijn gehaald, ook gedeeltelijk, door personen die niet er niet gekwalificeerd voor zijn (zoals de gebruiker).
- Producten waarvan het serienummer verdwenen, beschadigd of onleesbaar is, waardoor we het niet kunnen identificeren.
- Producten die verhuurd werden of ter demonstratie of showmodel waren.

(*) Sommige onderdelen van uw apparaat, genaamd verbruiksartikelen, slijten naar verloop van tijd en bij veel gebruik van uw apparaat. Deze slijtage is normaal, maar kan verergerd worden door slechte omstandigheden of onderhoud van uw apparaat. Deze onderdelen worden daarom niet gedekt door de garantie.

De accessoires meegeleverd met het apparaat zijn ook uitgesloten van de garantie. Ze kunnen niet vervangen of gerestitueerd worden. Echter, sommige accessoires zijn te koop via onze website: <https://sav.hkoenig.com/>.

MILIEU

ATTENTIE:



Dit apparaat mag niet met uw anderhuishoudelijketoestellen worden verwijderd. Dit product moet op een geselecteerde stortplaats verwijderd worden. U kunt bij de gemeente een indicerde plaats aanvragen.

Elektrische en elektronische producten kunnen gevaarlijke stoffen inhouden die schadelijk zijn voor mensen en het milieu en moet recycled worden. Het symbool aan de kant geeft aan dat het een elektrisch/electronisch toestel is en zijnde artikelen van een selectieve collectie. Het beeld geeft een afvalbak met een X teken aan.

Adeva SAS / H.Koenig Europe - 8 rue Marc Seguin - 77290 Mitry Mory - France

www.hkoenig.com - sav@hkoenig.com - contact@hkoenig.com - Tél: +33 1 64 67 00 05

ESPAÑOL

Lea completamente las siguientes instrucciones antes de utilizar el refrigerador, para garantizar el uso correcto del mismo y su seguridad.

INSTRUCCIONES IMPORTANTES DE SEGURIDAD

ADVERTENCIA

Para reducir los riesgos de incendio, choques eléctricos o lesiones personales durante el uso de este refrigerador, siga las siguientes precauciones: Lea todas las instrucciones antes de usar el refrigerador.

ADVERTENCIA/PELIGRO: Riesgo de que los niños queden atrapados en el interior del refrigerador.

El riesgo de atrapamiento y sofocación de los niños no son problemas del pasado. Los refrigeradores desechados o abandonados siguen siendo peligrosos... incluso si "simplemente se deja en el garaje unos días".

- **Antes de desechar su refrigerador viejo:** Retirar la puerta. Deje los estantes en su lugar para que los niños no se puedan adentrar en el refrigerador con facilidad.
 - Nunca permita que los niños operen, jueguen o entren en el refrigerador.
 - Nunca limpie las piezas del refrigerador con líquidos inflamables. Los vapores de estas sustancias pueden crear un riesgo de incendio o una explosión.
 - No guarde ni use gasolina o cualquier otro líquido inflamable cerca de este u otro electrodoméstico. Los vapores de estas sustancias pueden crear un riesgo de incendio o una explosión.

- No use este aparato si su cable de alimentación o enchufe están dañados, si no está funcionando correctamente, está en mal estado o se ha caído. Si el cable de alimentación está deteriorado deberá ser remplazado por el fabricante, su personal técnico o un especialista similar para evitar riesgos potenciales.
- Este aparato puede ser utilizado por personas con capacidades físicas, sensoriales o mentales reducidas o con falta de experiencia o conocimientos, siempre que sean supervisadas o instruidas en el uso seguro del aparato y que entiendan perfectamente los peligros potenciales.
- **ADVERTENCIA:** Nunca obstruya las aberturas de ventilación que se encuentran en el gabinete o en la estructura incorporada del refrigerador.
- **ADVERTENCIA:** No use dispositivos mecánicos u otros medios para acelerar el proceso de descongelación, que no sean los recomendados por el fabricante.
- **ADVERTENCIA:** Tenga cuidado de no dañar los serpentines de refrigeración.
- **ADVERTENCIA:** No introduzca ni guarde dispositivos eléctricos en el compartimento interior del refrigerador, a menos que sean del tipo recomendado por el fabricante.
- **ADVERTENCIA:** No almacene sustancias explosivas tales como latas de aerosol en el refrigerador.
- Este dispositivo está diseñado para su uso en aplicaciones domésticas y similares, tales como:
 - áreas de cocina en tiendas, oficinas y otros entornos de trabajo
 - las granjas
 - en hoteles, moteles y otros entornos de tipo residencial

- habitaciones de invitados.

- Este aparato puede ser utilizado por niños de al menos 8 años de edad, siempre que cuenten con supervisión y hayan recibido instrucciones sobre el uso seguro del electrodoméstico y sean plenamente conscientes de los peligros que implica.
- La limpieza y mantenimiento de la máquina no debe ser efectuada por niños a menos que tengan como mínimo 8 años de edad y cuenten con la supervisión de un adulto.
- Mantenga el aparato y su cable eléctrico fuera del alcance de niños de menos de 8 años.
- Al utilizar equipos eléctricos, siempre se deben tomar precauciones de seguridad para evitar el riesgo de incendio, descarga eléctrica y/o lesiones en caso de uso indebido.
- Asegúrese de que la tensión nominal de la placa de características corresponde a la tensión de red de su instalación. Si no es así, póngase en contacto con el distribuidor y no conecte la unidad.
- Nunca deje la unidad desatendida mientras esté en funcionamiento.
- Por favor, tenga este documento a mano y entrégueselo al futuro propietario en caso de transferencia de su dispositivo
- El dispositivo no debe utilizarse si se ha caído, si hay signos evidentes de daño o si hay fugas.

Refrigerante

El gas refrigerante contenido en el circuito de este dispositivo es isobutano (R600a), un gas poco contaminante pero inflamable.

- Al transportar e instalar el aparato, tenga cuidado de no dañar ninguna parte del circuito frigorífico

- No utilice herramientas afiladas o puntiagudas para descongelar el aparato.

- No utilice ningún aparato eléctrico dentro del aparato.

Si el sistema de refrigeración está dañado:

· No utilice una llama cerca del aparato.

· Evite las chispas - no encienda ningún aparato eléctrico o linterna.

Ventile la habitación inmediatamente

--Guarde bien este Manual de Instrucciones--

INSTRUCCIONES DE INSTALACIÓN

Antes de usar su refrigerador

- Retire el material de embalaje por fuera y por dentro.
- Verifique para asegurarse de tener todas las partes siguientes:
 - 1 Manual de instrucciones
- Antes de conectar el refrigerador por primera vez, déjelo reposar en posición vertical durante aproximadamente 2 horas. Esto reducirá la posibilidad de un mal funcionamiento en el sistema de enfriamiento debido a la posible perturbación del gas refrigerante durante el transporte.
- Limpie la superficie interior con agua tibia utilizando un paño suave

Instalación de su refrigerador

- Este refrigerador está diseñado sólo para instalación independiente. No debe ser empotrado o incorporado en otro lugar.
- Coloque su refrigerador sobre una superficie que sea lo suficientemente fuerte como para soportar el refrigerador cuando esté completamente cargado. Para nivelar su refrigerador, ajuste las peanas de nivelación en la parte inferior del mismo.
- Deje 12 cm de espacio libre en la parte posterior y los laterales del refrigerador para permitir una ventilación adecuada.
- Proteja al refrigerador de la incidencia directa de la luz solar y manténgala alejada de fuentes de calor (cocinas, estufas, radiador, etc.). La incidencia directa de la luz puede dañar el revestimiento de acrílico y las fuentes de calor puede aumentar el consumo eléctrico. Las temperaturas ambientales frías extremas también pueden causar que el refrigerador no funcione correctamente.
- Evite ubicar el refrigerador en áreas húmedas.
- Enchufe el refrigerador a un tomacorriente de pared correctamente instalado y destinado únicamente al refrigerador. En ninguna circunstancia corte o retire la tercera clavija (salida a tierra) del enchufe. Acuda a un electricista certificado o a un centro de servicios autorizado para cualquier pregunta relacionada con la alimentación eléctrica del refrigerador.
- Después de conectar el refrigerador al tomacorriente, enciéndalo y déjelo enfriar durante 2 o 3 horas antes de colocar los alimentos en su interior.

Conexión eléctrica

ADVERTENCIA

El uso incorrecto del enchufe y la conexión a tierra puede ocasionar una descarga eléctrica. Si el cable de alimentación está deteriorado, acuda a un centro de servicios autorizado para su reemplazo.

Este refrigerador debe estar debidamente conectado a tierra para su seguridad. El cable de alimentación tiene un enchufe de dos clavijas compatible con los tomacorrientes de pared comunes, esto es para minimizar la posibilidad de una descarga eléctrica.

Bajo ninguna circunstancia corte o retire la tercera clavija (salida a tierra) del enchufe.

Este refrigerador debe estar conectado a un tomacorriente estándar de 220-240 V, corriente alterna, 50 Hz con conexión a tierra de dos clavijas.

Para evitar accidentes o lesiones personales, no deje expuesto el cable de alimentación ni colgando por donde pueda entorpecer el paso, asegúrese debidamente detrás del refrigerador.

No tire del cable de alimentación para desconectarlo del tomacorriente, hágalo agarrando firmemente el enchufe.

No utilice extensiones eléctricas. Si el cable de alimentación es demasiado corto, acuda a un electricista cualificado o al personal de servicios técnicos para que instale un tomacorriente cerca del refrigerador.

Inversión de la Puerta del Refrigerador

Este refrigerador está diseñado para colocar y abrir la puerta tanto por el lado izquierdo como por el lado derecho. La unidad se entrega con la abertura de la puerta desde el lado izquierdo. Si desea revertir la dirección de apertura, llame al servicio de atención al cliente para obtener instrucciones sobre la inversión.

INSTRUCCIONES DE OPERACIÓN

Ajustes de temperatura

- Para controlar la temperatura interna, ajuste el dial del termostato de acuerdo con la temperatura ambiente o el propósito de uso.
- La primera vez que enciende la unidad, ajuste el control de temperatura en "6".
- El rango del termostato va de la posición "OFF" a "6". Después de 24 a 48 horas, ajústelo a la configuración que mejor se adapte a sus necesidades. El ajuste de "3" debe ser apropiado para el hogar o la oficina.

NOTA: Si el refrigerador está desenchufado, ha perdido potencia o está apagado; debe esperar de 3 a 5 minutos antes de reiniciarlo. Si intenta reiniciar antes de este tiempo, el refrigerador no arrancará.

Compartimento de congelación

- Este compartimento está diseñado para el almacenamiento a largo plazo de alimentos congelados.
- La vida útil de los alimentos congelados varía según el alimento y no se debe exceder la vida útil recomendada. Deben seguirse las instrucciones para almacenar alimentos congelados al descongelar el aparato.
- Los alimentos congelados pre envasados comercialmente deben almacenarse de acuerdo con las instrucciones del fabricante en un compartimento de almacenamiento de alimentos congelados de tres estrellas o en un congelador doméstico.
- Coloque los alimentos congelados en el congelador lo antes posible después de comprarlos. Si hay instrucciones en el paquete, siga cuidadosamente las instrucciones para el tiempo de almacenamiento.

LIMPIEZA Y MANTENIMIENTO

Descongelación del refrigerador

Descongele el refrigerador cuando la escarcha acumulada en el evaporador tenga un grosor de aproximadamente 5 mm (1/5 pulgada). Coloque el dial del termostato en la posición "OFF". Retire los alimentos congelados o perecederos. La descongelación generalmente toma unas pocas horas. Después de descongelar, regrese el dial del termostato a la posición deseada. Para descongelar, retire rápidamente todos los alimentos del refrigerador y deje la puerta abierta. Nunca use un cuchillo u otro instrumento de metal para raspar hielo/escarcha del evaporador.

Limpieza del refrigerador

- Coloque el dial del termostato en la posición "OFF", desenchufe el cable de alimentación del tomacorriente y retire la comida, los estantes y las bandejas.
- Limpie el interior del refrigerador usando un paño húmedo con agua tibia y una solución de bicarbonato de sodio. Esta solución debe ser preparada con 2 cucharadas de bicarbonato de sodio en 1 litro de agua.
- Lave los estantes y las bandejas con detergente suave.
- Limpie las partes exteriores del refrigerador con detergente suave y agua tibia.
- Elimine el exceso de agua de la esponja o paño antes de limpiar el área de los controles o cualquier parte eléctrica.
- Enjuague bien las partes exteriores del refrigerador, seque con un paño suave y limpio.

Período Vacacional

- **Períodos cortos:** Puede dejar el refrigerador funcionando si regresa de sus vacaciones en menos de tres semanas.
- **Períodos largos:** Si no pretende utilizar el refrigerador por varios meses, retire todos los alimentos del interior, apáguelo y desconecte el cable de alimentación del tomacorriente. Limpie el compartimiento interior y séquelo completamente. Para evitar la humedad, el mal olor o la formación de moho, deje la puerta ligeramente abierta bloqueandola si es necesario.

Traslado del Refrigerador

- Retire todos los alimentos y cualquier otro objeto del refrigerador.
- Asegure con cinta adhesiva todos los elementos sueltos del refrigerador.
- Recoja las penas de nivelación hasta la base del refrigerador para evitar que se rompan.
- Bloqué la puerta para que no se abra durante el transporte.
- Asegúrese de mantener el refrigerador siempre en la posición vertical durante su traslado. También proteja el exterior del refrigerador con una manta, lona o un artículo similar.

INVERTIR LA APERTURA DE LA PUERTA

Si es necesario, la apertura de la puerta se puede mover desde el lado derecho (estado de suministro) hacia el lado izquierdo.

ADVERTENCIA

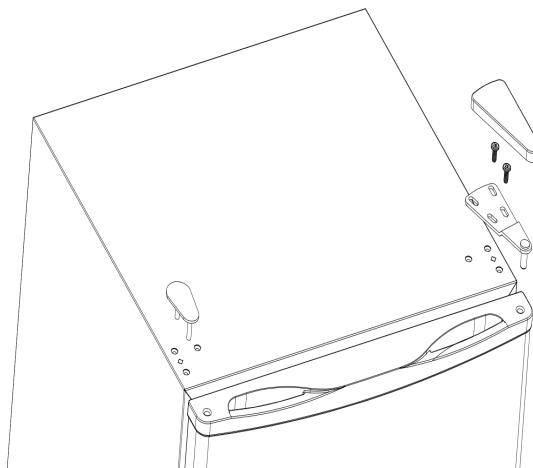
Al reemplazar el tope de la puerta, primero se debe desconectar el aparato de la fuente de alimentación.

NOTA

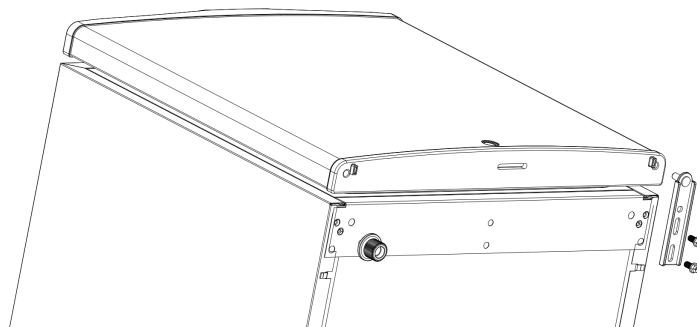
Pida ayuda a otra persona.

Posiblemente necesite: llave de tornillos, destornillador Phillips y un destornillador de punta fina.

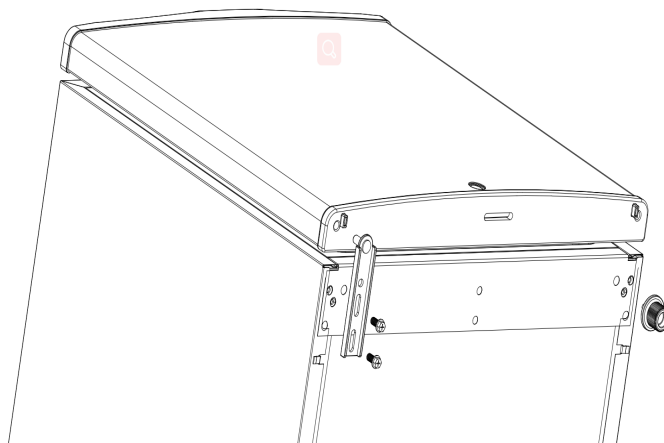
Paso 1: Retire la cubierta de plástico y la cubierta de la bisagra. Afloje los tornillos.



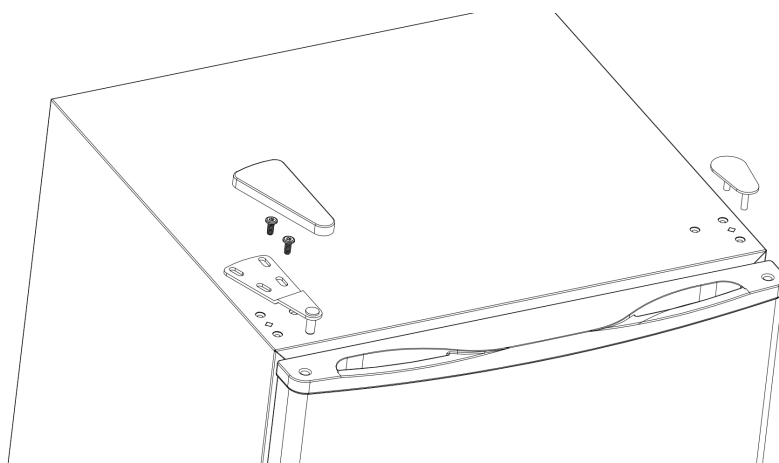
Paso 2: Desmonte la bisagra inferior de la puerta y los pies aflojando los tornillos.



Paso 3: Desplace y fije la bisagra inferior de la puerta, incluidas las patas, con los tornillos.



Paso 4: Retire la bisagra superior y la cubierta del lado derecho al lado izquierdo. Fije la bisagra superior de la puerta con los tornillos y cubra la cubierta de plástico y la cubierta de la bisagra.



Consejos para ahorrar energía

- El refrigerador se debe instalar en la zona más fresca de la habitación, lejos de cualquier dispositivo que genere calor (incluyendo los conductos de calefacción) y protegido de la incidencia directa de la luz solar.
- Deje enfriar los alimentos calientes a temperatura ambiente antes de colocarlos en el refrigerador. Sobrecargar el refrigerador obliga al compresor a funcionar por más tiempo.
- Asegúrese de envolver los alimentos correctamente y seque los recipientes antes de colocarlos en el refrigerador. Esto reduce la acumulación de escarcha dentro del mismo.
- Los recipientes utilizados para almacenar alimentos dentro del refrigerador no deben estar forrados con papel de aluminio, papel encerado o toallas de papel. Los revestimientos interfieren con la circulación del aire frío, lo que hace que el refrigerador sea menos eficiente.
- Organice y etiquete los alimentos para reducir las aperturas de las puertas y búsquedas prolongadas. Retire todos los elementos que necesite al mismo tiempo y cierre la puerta lo antes posible.

SOLUCIÓN DE PROBLEMAS

Usted puede solucionar fácilmente varios problemas comunes en el refrigerador, ahorrando el costo de una posible visita al centro de servicios técnicos. Primero intente solucionar el problema con las sugerencias que se presentan a continuación, antes de llamar al centro de asistencia.

PROBLEMA	CAUSAS POSIBLES
El refrigerador no funciona.	El cable de alimentación está desconectado. El disyuntor de su red eléctrica está caído o el fusible está fundido. El dial del termostato está en "OFF"
El refrigerador se enciende y apaga con frecuencia.	La temperatura de la habitación es más alta de lo normal. Se ha colocado una gran cantidad de alimentos en el refrigerador. La puerta se mantiene abierta por mucho tiempo o se abre con mucha frecuencia. La puerta no está bien cerrada. La temperatura no está correctamente ajustada. La junta de la puerta no sella bien. El refrigerador no tiene suficientes espacios libres.
Vibración excesiva.	Compruebe que el refrigerador esté sobre una superficie nivelada y revise si está pegado a la pared posterior.
Ruidos inusuales.	Sonido de burbujeo y gorgoteo: este es el sonido normal que se emite a medida que el gas refrigerante fluye a través de las tuberías dentro del sistema de enfriamiento. La contracción y expansión de las paredes internas puede causar ruidos de crepitación y crujidos. El refrigerador no está nivelado.
La(s) puerta(s) no se cierran adecuadamente.	El refrigerador no está colocado sobre una superficie plana o no está bien nivelado. La puerta se invirtió y no se instaló correctamente. La junta de la puerta está sucia. Los estantes o cestas están fuera de posición.

GARANTÍA

El periodo de garantía de nuestros productos es de 2 años, salvo que la ley estipule lo contrario, a partir de la fecha de la compra inicial o de la fecha de entrega.

Si tiene algún problema o pregunta, puede acceder fácilmente a nuestras páginas de ayuda, consejos para solucionar problemas, preguntas frecuentes y manuales de usuario en nuestro sitio de servicio: <https://sav.hkoenig.com>.

Al escribir el nombre de referencia de su dispositivo en la barra de búsqueda, puede acceder a toda la asistencia en línea disponible, diseñada para satisfacer mejor sus necesidades.

Si sigue sin encontrar una respuesta a su pregunta o problema, haga clic en "¿La respuesta ha resuelto su problema? Esto le llevará al formulario de solicitud de asistencia posventa, que puede rellenar para validar su solicitud y obtener ayuda.

CONDICIONES DE GARANTÍA

La garantía cubre todos los fallos que se produzcan en el contexto de un uso normal, de acuerdo con los usos y especificaciones del manual de usuario.

Esta garantía no se aplica a los problemas de embalaje o transporte durante el envío del producto por parte del propietario. Tampoco incluye el desgaste normal del producto, ni el mantenimiento o la sustitución de piezas consumibles.

EXCLUSIÓN DE GARANTÍA

- Accesorios y piezas de desgaste (*).
- Mantenimiento normal del aparato.
- Todas las averías derivadas de un uso incorrecto (golpes, incumplimiento de las recomendaciones de alimentación eléctrica, malas condiciones de uso, etc.), de un mantenimiento insuficiente o de un mal uso del aparato, así como del uso de accesorios inadecuados.
- Daños de origen externo: incendio, daños por agua, sobrecarga eléctrica, etc.
- Cualquier equipo que haya sido desmontado, incluso parcialmente, por personas que no estén autorizadas a hacerlo (en particular el usuario).
- Productos cuyo número de serie falte, esté dañado o sea ilegible, lo que no permitiría su identificación.
- Productos sujetos a alquiler, demostración o exposición.

(*) Algunas piezas de su aparato, conocidas como piezas de desgaste o consumibles, se deterioran con el tiempo y la frecuencia de uso de su aparato. Este desgaste es normal, pero puede acentuarse por las malas condiciones de uso o de mantenimiento de su aparato. Por lo tanto, estas piezas no están cubiertas por la garantía.

Los accesorios suministrados con el aparato también están excluidos de la garantía. No se pueden cambiar ni reembolsar. No obstante, algunos accesorios pueden adquirirse directamente en nuestro sitio web: <https://sav.hkoenig.com/>

MEDIO AMBIENTE

ATENCIÓN:



No se deshaga de este producto como lo hace con otros productos del hogar. Existe un sistema selectivo de colecta de este producto puesto en marcha por las comunidades, debe de informarse en su ayuntamiento acerca de los lugares en los que puede depositar este producto. De hecho, los productos eléctricos y electrónicos pueden contener sustancias peligrosas que tienen efectos nefastos para el medio ambiente o para la salud humana y deben ser reciclados. El símbolo aquí presente indica que los equipos eléctricos o electrónicos deben de ser cuidadosamente seleccionados, representa un recipiente de basura con ruedas marcado con una X.

Adeva SAS / H.Koenig Europe - 8 rue Marc Seguin, 77290 Mitry-Mory, France
www.hkoenig.com - sav@hkoenig.com - contact@hkoenig.com - Tél: +33 1 64 67 00 05

ITALIANO

PRIMA DELL'USO, LEGGERE E SEGUIRE TUTTE LE NORME DI SICUREZZA ED USO.

ISTRUZIONI IMPORTANTI PER LA SICUREZZA

□AVVERTIMENTO□

Per ridurre il rischio di incendi, scosse elettriche, o lesioni durante l'uso del frigorifero, seguire queste precauzioni di base:

- Leggere tutte le istruzioni prima di utilizzare il frigorifero.
- **PERICOLO o AVVERTENZA:**
- Pericolo di intrappolamento per i bambini. I frigoriferi abbandonati sono ancora pericolosi anche se sono “messi nel garage solo per un paio di giorni.”
- **Prima di buttare via il vecchio frigorifero:**
- Togliere la porta. Lasciare i ripiani in modo che i bambini non possano entrare facilmente all'interno.
- Non permettere mai ai bambini di utilizzare, giocare, o entrare all'interno del frigorifero.
- Mai pulire il frigorifero con liquidi infiammabili. I fumi possono creare pericolo di incendio o esplosione.
- Non conservare o usare benzina o altri vapori e liquidi infiammabili nelle vicinanze di questo o di altri frigoriferi. I fumi possono creare un rischio di incendio o esplosione.
- Questo apparecchio può essere usato da persone con ridotte capacità fisiche, sensoriali o mentali o con mancanza di esperienza o conoscenza, a condizione che siano sorvegliate o istruite sull'uso sicuro dell'apparecchio e che comprendano pienamente i potenziali pericoli.
- Non utilizzare l'apparecchio se il cavo o la spina sono danneggiati, se non funziona correttamente o se è stato danneggiato o caduto. Se il cavo di alimentazione è danneggiato, deve essere sostituito dal costruttore, da un

suo rappresentante o da una persona qualificata al fine di evitare rischi.

- **AVVERTENZA:** mantenere le aperture di ventilazione dell'apparecchio o nella struttura incorporata, prive di ostruzioni.
- **AVVERTENZA:** non utilizzare dispositivi meccanici o altri mezzi per accelerare il processo di scongelamento, diversi da quelli raccomandati dal produttore.
- **AVVERTENZA:** non danneggiare il circuito refrigerante.
- **AVVERTENZA:** non utilizzare apparecchi elettrici all'interno dei vani porta oggetti dell'apparecchio, a meno che non siano del tipo raccomandato dal produttore.
- Non conservare sostanze esplosive come bombolette spray con un propellente infiammabile in questo apparecchio.
- Questo dispositivo è destinato all'uso in applicazioni domestiche e simili come:
 - zone cucina in negozi, uffici e altri ambienti di lavoro
 - le fattorie
 - in hotel, motel e altri ambienti di tipo residenziale
 - camere degli ospiti.
- Questo apparecchio può essere reutilizzato da bambini a partire da 8 anni, purché sorvegliati e istruiti all'uso sicuro dell'apparecchio e pienamente a conoscenza dei pericoli che comporta.
- La pulizia e la manutenzione non devono essere eseguite da bambini a meno che abbiano più di 8 anni e siano sorvegliati da un adulto.
- Conservare l'apparecchio e il cavo di alimentazione fuori Dalla portata di bambini di età inferiore a 8 anni.
- Quando si utilizzano apparecchiature elettriche, è

Necessario adottare sempre misure di sicurezza per prevenire il rischio di incendi, scosse elettriche e/o lesioni in caso di uso improprio.

- Accertarsi che la tensione nominale sulla targhetta corrisponda alla tensione principale della vostra installazione. In caso contrario, contattare il rivenditore e non collegare l'unità.
- Non lasciare mai l'unità incustodita durante il funzionamento.
- Si prega di tenere questo documento a portata di mano e di consegnarlo al futuro proprietario in caso di trasferimento del dispositivo.
- Il dispositivo non deve essere reutilizzato se è caduto e sono visibili evidenti segni di danneggiamento o se presenta perdite.

Refrigerante

Il gas refrigerante contenuto nel circuito di questo dispositivo è l'isobutano (R 600a), un gas poco inquinante ma infiammabile.

- Durante il trasporto e l'installazione dell'apparecchio fare attenzione a non danneggiare nessuna parte del circuito del frigorifero

- Non utilizzare strumenti affilati o appuntiti per sbrinare l'apparecchio.

- Non utilizzare alcun apparecchio elettrico all'interno del prodotto.

Se il sistema di refrigerazione è danneggiato:

· Non utilizzare una fiamma vicino all'apparecchio.

• Evitare scintille - non accendere apparecchi elettrici o torce elettriche.

Aerare immediatamente la stanza

-Conservare queste istruzioni-

ISTRUZIONI PER L'INSTALLAZIONE

• **Prima di utilizzare il frigorifero**

- Rimuovere l'imballaggio esterno e interno.
- Verificare di disporre di tutte le parti seguenti:
 - 1 manuale di istruzioni
- Prima di collegare il frigorifero alla fonte di alimentazione, lasciarlo in piedi per circa 2 ore. Ciò ridurrà la possibilità di un malfunzionamento del sistema di raffreddamento dovuti al trasporto.
- Pulire la superficie interna con acqua tiepida usando un pannomorbido.

• **Installazione del tuo frigorifero**

- Questo apparecchio è progettato per essere a libera installazione e non deve essere in cassato o integrato.
- Collocare il frigorifero su una superficie sufficientemente robusta per sostenere il frigorifero quando sarà completamente carico. Per livellare il frigorifero, regolare il piedino di livellamento nella parte inferiore del frigorifero.
- Lasciare 12 cm di spazio tra la parte posteriore e i lati del frigorifero, in modo da consentire la corretta circolazione dell'aria per raffreddare il compressore.
- Posizionare il frigorifero lontano dalla luce diretta del sole e da fonti di calore (fornello, riscaldamento, radiatore, ecc.). La luce diretta del sole può danneggiare il rivestimento acrilico e le fonti di calore possono aumentare il consumo elettrico. Temperature ambienti troppo fredde possono causare il non corretto funzionamento del frigorifero.
- Evitare di posizionare il frigorifero in aree umide.
- Collegare il frigorifero ad una presa a muro con messa a terra. Non tagliare o rimuovere in alcun caso il terzo polo (terra) dal cavo di alimentazione. Eventuali domande riguardanti l'alimentazione e / o la messa a terra devono essere fatte ad un elettricista certificato o un centro assistenza autorizzato.
- Dopo aver collegato l'apparecchio ad una presa a muro, lasciare raffreddare l'unità per 2-3 ore prima di disporre i cibi nel vano frigorifero.

• **Connessione Elettrica**

Avvertimento

L'uso improprio della spina messa a terra può comportare il rischio di scosse elettriche. Se il cavo di alimentazione è danneggiato, farlo sostituire da un centro assistenza autorizzato.

Questo frigorifero dovrebbe essere correttamente messo a terra per la vostra sicurezza. Il cavo di alimentazione di questo frigorifero è dotato di una spina a due poli che si accoppia con le prese a muro standard a due poli per ridurre al minimo la possibilità di scosse elettriche.

Non tagliare o rimuovere in alcun caso il terzo polo di messa a terra dal cavo di alimentazione in dotazione.

Questo frigorifero richiede una presa elettrica standard da 220-240Volt a C.C. ~ / 50Hz con messa a terra a due poli.

Il cavo deve essere fissato dietro il frigorifero e non lasciato esposto o pendente per evitare lesioni accidentali.

Non scollegare mai il frigorifero tirando il cavo di alimentazione. Afferrare sempre saldamente la spina e tirare fuori dalla presa.

Non utilizzare una prolunga con questo apparecchio. Se il cavo di alimentazione è troppo corto, chiedere a un elettricista o tecnico qualificato di installare una presa vicino all'apparecchio.

Inversione d apertura dello sportello del dispositivo

Questo frigorifero ha la possibilità di aprire la porta dal lato sinistro o destro. L'unità viene consegnata con la porta che si apre dal lato sinistro. Se si desidera invertire la direzione di apertura, si prega di chiamare il servizio clienti per le istruzioni di inversione.

UTILIZZO DEL TUO FRIGORIFERO

• Impostazione della temperatura

- Per controllare la temperatura interna, regolare il quadrante di controllo in base alla temperatura ambiente o allo scopo di utilizzo.
 - La prima volta che si accende l'unità, impostare il controllo della temperatura su "6."
- La portata del controllo della temperatura è dalla posizione "OFF" a '6'. Dopo 24 a 48 ore, regolare il controllo della temperatura sull'impostazione che meglio si adatta alle vostre esigenze. L'impostazione su '3' è appropriata per la casa o l'ufficio.

NOTA:

- Se l'unità è scollegata, ha perso potenza, o è disinserita; è necessario attendere dai 3 ai 5 minuti prima di riavviare l'unità. Se si tenta di riavviare prima di questo intervallo di tempo, il frigorifero non si avvia.

• Il Vano Congelatore

- Questo scomparto è progettato per la conservazione a lungo termine di alimenti congelati.
- La durata di conservazione degli alimenti congelati varia a seconda del cibo e la durata di conservazione consigliata non deve essere superata. È necessario seguire le istruzioni per la conservazione degli alimenti congelati durante lo sbrinamento dell'apparecchio.
- Gli alimenti surgelati preconfezionati commerciali devono essere conservati secondo le istruzioni del produttore in uno scomparto per alimenti congelati a tre stelle o in un congelatore domestico.
- Mettere gli alimenti congelati nel congelatore il prima possibile dopo l'acquisto. Se sono presenti istruzioni sulla confezione, seguire attentamente le istruzioni per il tempo di conservazione.

CURA E MANUTENZIONE

• Sbrinamento del frigorifero

Sbrinare il frigorifero quando il ghiaccio accumulato sull'evaporatore è di circa 5 mm (1/5 di pollice) di spessore.

Impostare la manopola del termostato sulla posizione "OFF". Togliere gli alimenti congelati o deperibili. Lo sbrinamento di solito richiede alcune ore. Dopo lo scongelamento, riportare la manopola del termostato nella posizione desiderata. Per sbrinare rapidamente rimuovere tutti gli alimenti dal frigorifero e lasciare la porta aperta. Non utilizzare mai un coltello o un altri strumenti metallici per raschiare il ghiaccio.

Pulizia del frigorifero

- Girare il controllo della temperatura su "OFF", scollegare il frigorifero, e rimuovere cibo, mensole e vassoi.
- Lavare le superfici interne con una soluzione di acqua calda e bicarbonato di sodio. La soluzione deve essere di circa 2 cucchiaini di bicarbonato di sodio per un litro d'acqua.
- Lavare gli scaffali e le vasche interne con una soluzione detergente delicata.

- L'esterno del frigorifero deve essere pulito con un detergente delicato e acqua calda.
- Strizzare l'acqua in eccesso della spugna o dal panno prima di pulire l'area dei controlli, o delle parti elettriche.
- Lavare le superfici esterne con acqua calda e detergente liquido. Sciacquare bene e asciugare con un panno morbido e pulito.

Ferie

- **Vacanze brevi:** Lasciare il frigorifero operativo durante le vacanze di meno di tre settimane.
- **Vacanze lunghe:** Se il frigorifero non viene utilizzato per diversi mesi, rimuovere tutto il cibo e scollegare il cavo di alimentazione. Pulire e asciugare accuratamente l'interno. Per prevenire l'odore e la crescita delle muffe, lasciare la porta leggermente aperta: bloccarla se necessario.

Spostare il frigorifero

- Rimuovere tutto il cibo.
- Fissare in modo sicuro tutti gli oggetti sfusi all'interno del frigorifero.
- Ruotare la vite di livellamento fino alla base per evitare danni.
- Chiudere la porta con nastro adesivo.
- Assicurarci che il frigorifero rimanga sicuro in posizione verticale durante il trasporto. Proteggere anche l'esterno del frigorifero con una coperta o un oggetto simile.

Suggerimenti per risparmio energetico

- Il frigorifero deve essere collocato nella zona più fredda della stanza, lontano da apparecchi che producono calore e lontano dalla luce diretta del sole.
- Lasciare raffreddare gli alimenti caldi a temperatura ambiente prima di metterli in frigorifero. Il sovraccarico del frigorifero costringe il compressore a funzionare più a lungo.
- Assicuratevi di avvolgere gli alimenti correttamente e asciugate i contenitori prima di metterli nel frigorifero. Questo riduce l'accumulo di brina all'interno del frigorifero.
- Il cestino del frigorifero non deve essere rivestito con fogli di alluminio, carta oleata o carta da cucina. Questi interferiscono con la circolazione dell'aria fredda, rendendo il frigorifero meno efficiente.
- Organizzare e etichettare il cibo per ridurre le aperture delle porte e le ricerche lunghe. Rimuovere tutti gli elementi necessari uno alla volta e chiudere la porta il prima possibile.

INVERTIRE L'APERTURA DELLA PORTA

Se necessario, l'apertura della porta può essere spostata da destra (condizione di fornitura) a sinistra.

AVVERTIMENTO

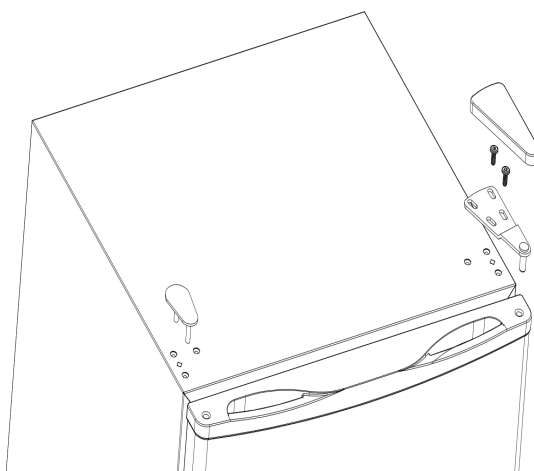
In caso di sostituzione del fermo porta, l'apparecchio deve essere prima scollegato dalla rete elettrica.

NOTA

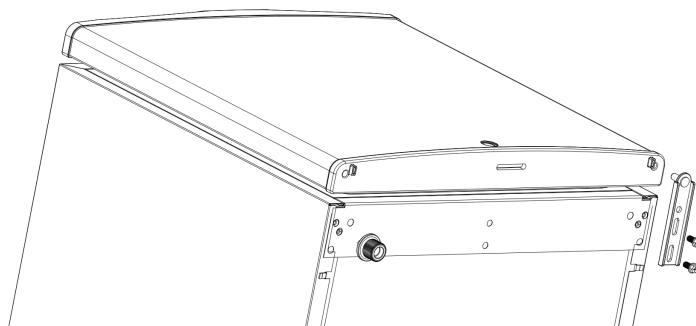
Chiedi a un'altra persona di assisterti.

Eventualmente occorrono: chiave inglese, cacciavite Phillips e un cacciavite a lama sottile.

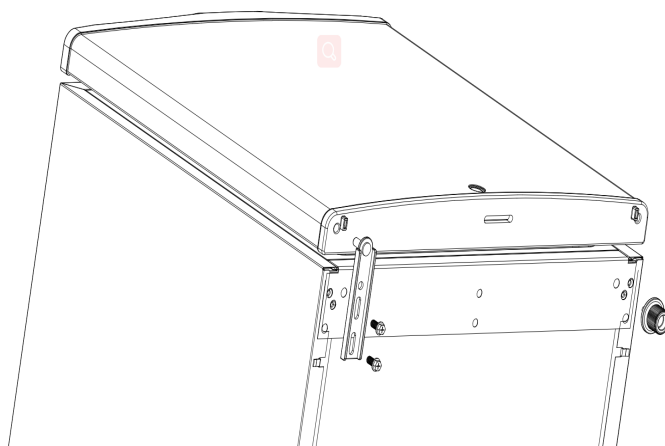
Passaggio 1: rimuovere il coperchio di plastica e il coperchio del cardine, allentare le viti.



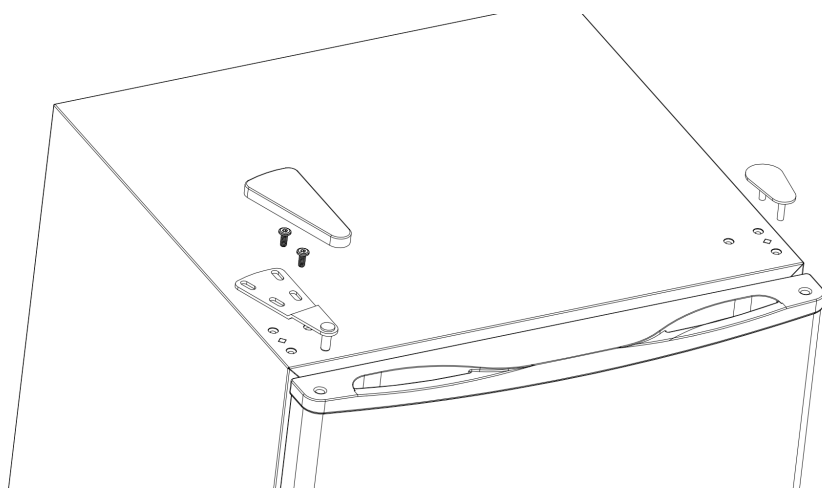
Passaggio 2: smontare la cerniera della porta inferiore e i piedini allentando le viti.



Passaggio 3: spostare e fissare la cerniera inferiore della porta compresi i piedini con le viti.



Passaggio 4: rimuovere il cardine superiore e il coperchio dal lato destro al lato sinistro. Fissare il cardine superiore dello sportello con le viti e coprire il coperchio di plastica e il coperchio del cardine.



PROBLEMI CON IL FRIGORIFERO

È possibile risolvere facilmente molti problemi comuni del frigorifero. Prova i suggerimenti qui sotto per vedere se è possibile risolvere il problema prima di chiamare il tecnico.

GUIDA AI PROBLEMI

PROBLEMA	POSSIBILE CAUSA
Il frigorifero non funziona.	Non collegato. L'interruttore automatico scattato o un fusibile bruciato. Il controllo della temperatura del frigorifero è impostata su "OFF".
Si accende e si spegne frequentemente.	La temperatura della stanza è più calda del normale. Una grande quantità di cibo è stata aggiunta al frigorifero. La porta viene aperta troppo spesso. La porta non è completamente chiusa. Il controllo della temperatura non è impostato correttamente. La guarnizione della porta non si chiude correttamente. Il frigorifero non ha le distanze corrette.
Vibrazioni.	Verificare che il frigorifero sia in piano.
Il frigorifero sembra fare troppo rumore.	Il rumore può provenire dal flusso del refrigerante, che è normale. Alla fine di ogni ciclo, potreste sentire dei suoni causati dal flusso del liquido refrigerante nel tuo frigorifero. Contrazione ed espansione delle pareti interne Il frigorifero non è in piano.
La porta non si chiude correttamente.	Il frigorifero non è in piano. La porta è stata invertita e non installata correttamente. La guarnizione è sporca. I ripiani, o contenitori o le vasche non sono posizionate correttamente.

GARANZIA

Il periodo di garanzia per i nostri prodotti è di 2 anni, se non diversamente stabilito dalla legge, a partire dalla data di acquisto iniziale o di consegna.

Se avete problemi o domande, potete facilmente accedere alle nostre pagine di aiuto, consigli per la risoluzione dei problemi, FAQ e manuali d'uso sul nostro sito post-vendita:

<https://sav.hkoenig.com>.

Digitando il nome di riferimento del tuo dispositivo nella barra di ricerca, puoi accedere a tutto il supporto online disponibile, progettato per soddisfare al meglio le tue esigenze.

Se ancora non riesci a trovare una risposta alla tua domanda o al tuo problema, allora clicca su "La risposta ha risolto il tuo problema? Questo vi porterà al modulo di richiesta di supporto post-vendita, che potete completare per convalidare la vostra richiesta e ottenere aiuto.

CONDIZIONI DI GARANZIA

La garanzia copre tutti i guasti derivanti da un uso normale, in conformità con gli usi e le specifiche del manuale utente.

Questa garanzia non si applica a problemi di imballaggio o di trasporto durante la spedizione del prodotto da parte del proprietario. Non include inoltre la normale usura del prodotto, né la manutenzione o la sostituzione delle parti di consumo.

ESCLUSIONE DELLA GARANZIA

- Accessori e parti soggette a usura (*).
- Normale manutenzione dell'apparecchio.
- Tutti i guasti derivanti da un uso improprio (urti, mancato rispetto delle raccomandazioni sull'alimentazione, cattive condizioni d'uso, ecc.), da una manutenzione inadeguata o da un uso improprio dell'apparecchio, nonché dall'uso di accessori inadeguati.

- Danni di origine esterna: incendio, danni d'acqua, sovratensione elettrica, ecc.
- Qualsiasi attrezzatura che sia stata smontata, anche parzialmente, da persone diverse da quelle autorizzate a farlo (in particolare l'utente).
- Prodotti per i quali il numero di serie è mancante, danneggiato o illeggibile, il che non permetterebbe la sua identificazione.
- Prodotti soggetti a noleggio, dimostrazione o esposizione.

(*) Alcune parti del suo apparecchio, note come parti soggette a usura o materiali di consumo, si deteriorano con il tempo e la frequenza d'uso del suo apparecchio. Questa usura è normale, ma può essere accentuata da cattive condizioni d'uso o di manutenzione del vostro apparecchio. Queste parti non sono quindi coperte dalla garanzia.

Anche gli accessori forniti con l'apparecchio sono esclusi dalla garanzia. Non possono essere scambiati o rimborsati. Tuttavia, alcuni accessori possono essere acquistati direttamente dal nostro sito web: <https://sav.hkoenig.com/>.

AMBIENTE

ATTENZIONE:



Non gettare quest' apparecchio tra i rifiuti domestici. Per questo tipo di prodotti è fornito dai comuni un sistema di raccolta e ritiro in zona ed è quindi un dovere informarsi per conoscere il giusto smistamento del rifiuto. Infatti, i prodotti elettrici ed elettronici possono contenere sostanze pericolose che hanno effetti dannosi sull'ambiente o sulla nostra salute e quindi devono essere riciclati. Il simbolo al lato indica che le apparecchiature elettriche ed elettroniche fanno parte di una raccolta selettiva e differenziata (rappresentata da un bidone su due ruote sbarrato da una croce).

Adeva SAS / H.Koenig Europe - 8 rue Marc Seguin - 77290 MitryMory - France

www.hkoenig.com - sav@hkoenig.com - contact@hkoenig.com - Tél: +33 1 64 67 00 05



Points de collecte sur www.quefairedemesdechets.fr
Privilégiez la réparation ou le don de votre appareil !