

HKoenig

bw1880

Instruction Manual

Manuel d'instructions
Bedienungsanleitung
Gebruiksaanwijzing
Manual de instrucciones
Manuale d'uso



Draft beer dispenser

Tireuse à bière
Bierkühler
Bierkoeler
Erveza enfriador
Spillatore birra fredda



ENGLISH

Please read the instruction manual carefully before installing and operating, and keep it for future reference.

INTRODUCTION

This is a household beer cooler, equipped with a CO₂ cartridge pressure system to keep the beer fresh. It brings the beer to the best temperature for cold storage (0 to 4°C) within 19-21 hours.

The beer cooler will keep the 5L Keg cool for an almost indefinite period. We do, however, suggest that you initially cool your beer keg for at least 12 hours in your refrigerator before placing it into the beer cooler.

IMPORTANT SAFETY INSTRUCTION

We have provided many important safety messages in the instruction manual for the beer cooler.

Before use it, please read and obey all safety rules and operating instructions; and put the instruction manual in a safe place for future reference.

Safety Instruction

- Before use it, check whether the power cord is well connected or not; if not, please don't use it, and call service center;
- If the supply cord is damaged, it must be replaced by the manufacturer or its service agent or a similarly qualified person in order to avoid a hazard.

- Before use it, check whether the plug conform with the socket or not; if not, please don't use it, and call service center;
- Do not connect or disconnect the electric plug when your hands are wet.
- Place the beer cooler on a dry and horizontal surface.
- To ensure proper ventilation for the beer cooler, make sure the beer cooler is at least 5 inches / 10cm away on either side so as to allow correct ventilation on the appliance.

Never put the beer cooler under the sunlight.

- Never cover the beer cooler when it is operating by some other object.
- The beer cooler must be installed in an area protected from the elements, such wind, rain, water spray or drips.

- Before proceeding with cleaning and maintenance operation, make sure the power line of the unit is disconnected. Failure to do so can result in electric shock or death.
- Do not immerse the beer cooler or power plug in the water or other liquid.
- Do not use coarse cloth, abrasive stuff to clear the beer cooler

- Do not take beer keg out from the beer cooler if the beer is not drunk out completely.
- Do not take the CO₂ cartridge off before the inside CO₂ use out.
- Do not use the CO₂ cartridge if the room temperature is over 49°C/120F. Failure to do so can result in explosion or death.
- Never allow children to operate, play with or crawl inside the beer cooler.

- This appliance may be used by persons with reduced physical, sensory or mental capabilities or lack of experience and knowledge provided they have received supervision or instruction in the safe use of the appliance and understand the hazards involved. Children should not play with the device.
- The appliance is not intended to be operated by an external timer or by a separate remote control system.
- Your appliance has been designed for domestic use only. It is not intended for use in the following situations which are not covered by the warranty:
 - in staff kitchen areas in shops, offices and other professional environments,
 - in farm hostels,
 - by guests in hotels, motels and other residential environments,
 - in bed and breakfast type

environments.

- If the power cord is damaged, it must be replaced with an after-sales service to avoid any danger.
- The device must not be used if it has been dropped, if obvious signs of damage are visible or if it has leaks.
- This appliance may be used by children of at least 8 years of age, as long as they are supervised and have been given instructions about using the appliance safely and are fully aware of the dangers involved.
- Cleaning and maintenance should not be carried out by children unless they are at least 8 years of age and are supervised by an adult.
- Keep the appliance and its power cord out of reach of children under 8 years of age

- When using electrical equipment, safety precautions must always be taken to prevent the risk of fire, electric shock and/or injury in the event of misuse.
- Make sure that the voltage rating on the type plate corresponds to your main voltage of your installation. If this is not the case, contact the dealer and do not connect the unit.
- Never leave the unit unattended while in operation.
- Please keep this document at hand and give it to the future owner in case of transfer of your device

HOW TO SELECT A KEG

- Sealed 5L universal keg and Heineken keg applies only
- Pay close attention to safety and storage messages about the keg / on the keg.
- Check the keg is neither damaged nor beer out-of-date before purchasing.
- Protect the top surface from being damaged. Otherwise it could be difficult of accession for the suction tube.
- Keep the keg in a rather cold for 12 hours but not too cold place (e.g. refrigerator)



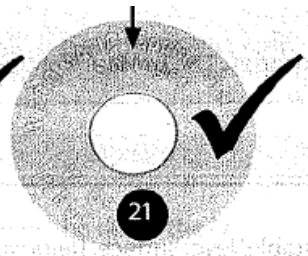
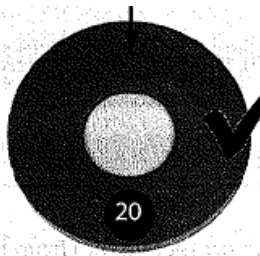
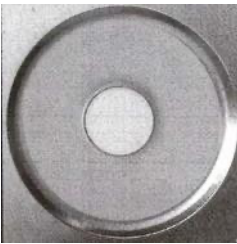
until next use.

- Never shake the keg before use
- Never put the beer keg under the sunlight

BEER KEG SEALANT

All 5 Liter beer keg with the below various appearance sealants can apply to the beer cooler, however, you should follow the information as below

*The sealants with code No. 20 and 21 can be pierced simply by the cooler piercing pin.



*The sealants with code No. 22 need to be removed off the marking ring from the sealant and pierce the keg by cooler piercing pin. (Show as figure 1)



*The difference between code No 23 and 24 is the safety clasp quantity. Pull up the safety clasp carefully, turn around and take it out from the keg; replaced it by the sealant (like code No 2 sealant) provided in the beer cooler, attach it to the beer keg, and pierce it by cooler piercing pin. (Show as Figure 3).

Figure 1



(Important: Before replacing the sealants or piercing the cooler kit, you must always follow the instructions marked on the keg to eliminate the excess gas and ensure that the keg has rested long enough to avoid foam coming out through the cooler piercing pin /tap faucet. And it is no need to release the gas and replace the seal rubber if you use Heineken keg, because Heineken keg has its own CO2 pressure inside, and no need to be provided from outer CO2 pressure system.

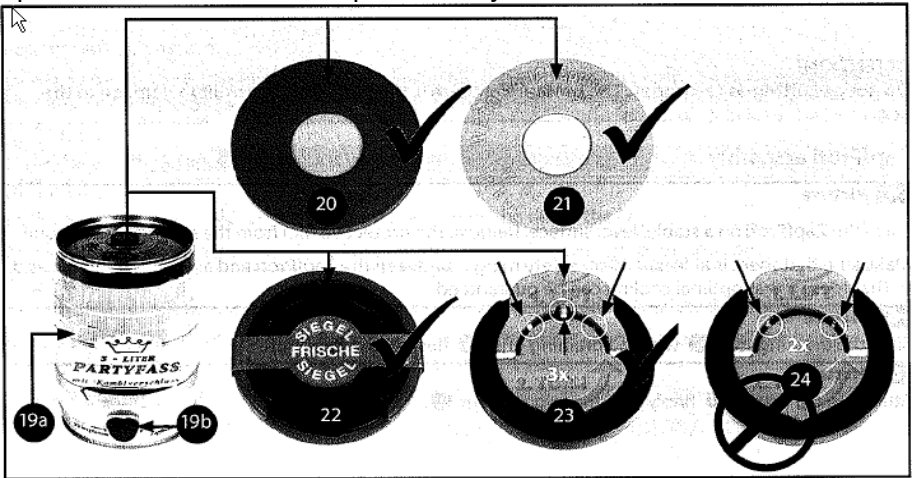


Figure 2



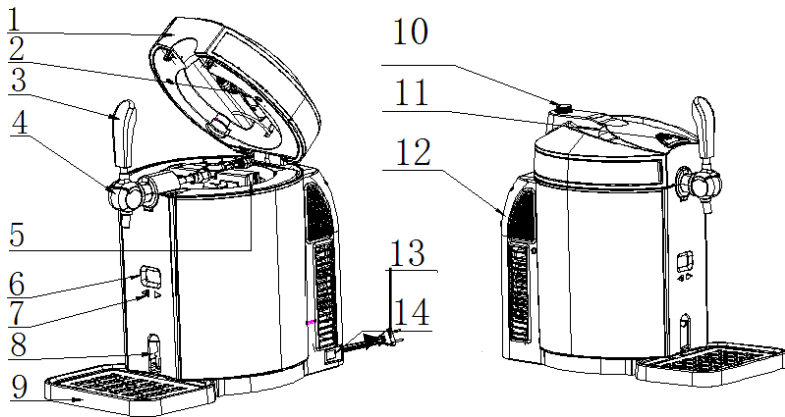
Figure 3

SPECIFICATIONS

Item	Descriptions	Specification
1	Voltage	AC 220-240V/50Hz
2	Available capacity	5-liter beer keg
3	Rated operating power	65W
4	Cooling performance	2~12°C adjustable (room temperature 22~24°C)
5	Noise level	≤38dB(A); (ambient noise ≤25dB(A))
6	Dimensions	W272*D480*H470mm
7	Net weight	6.4±0.3Kg
8	CO2 pressure out unit	√
9	Stainless steel appearance	√
10	Aluminum radiator system	√
11	Semi-conductor cooling technology	√
12	Water conduction cooling system	√
13	LED display function	√

14	Manual drainage outfit	√
15	Detachable water drip tray	√
16	Temperature adjustable	√
17	Cool preservation system	PU insulation / Weight 310±5g
18	Climate type	N/SN

PARTS & FEATURE



- | | |
|---------------------------|-------------------------------------|
| 1. Top cover | 8. Drain switch |
| 2. CO2 cartridge sheath | 9. Drip tray |
| 3. Tap handle | 10. CO2 pressure relief valve/ knob |
| 4. Tap | 11. Door lock button |
| 5. Keg lifter | 12. Rear cover |
| 6. LED display | 13. Power cord & plug |
| 7. Digital control button | 14. AC power switch |

INSTALLATION & OPERATION

A. INSTALLATION

1. Take out the beer cooler from its package. Place the beer cooler on a steady and horizontal surface, and make sure the beer cooler is at least 5 inches/10 cm away from other appliances or wall on each side so as to allow correct ventilation on the appliances, get better performance.

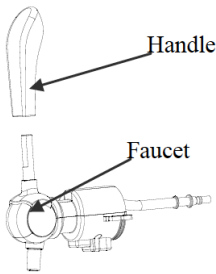


Figure 6

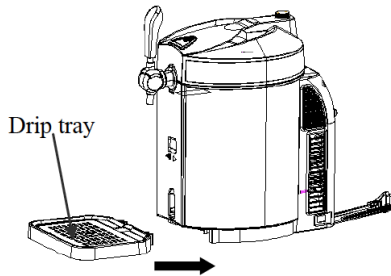


Figure 7

2. Install the tap handle connect the tap, make sure both end fit together perfectly. (Show as Figure 6)

3. Set the water drip tray into the notch provided. (Show as figure 7)

4. Plug the beer cooler.

Note: Do not connect or disconnect the electric plug when your hands are wet. Before use it, make sure the voltage is conformity with plug mark, and check whether the power cord is well connected or not; if not, please don't use it, and call service center;

5. Put 800ml water into the cooling cavity or pour the water to the max mark (Show as figure 8) (It can work without water, but it can't display the best performance)

Note: Make sure the drain switch is at "Off" position, and no extra objects in the cooling cavity.

The max water level line

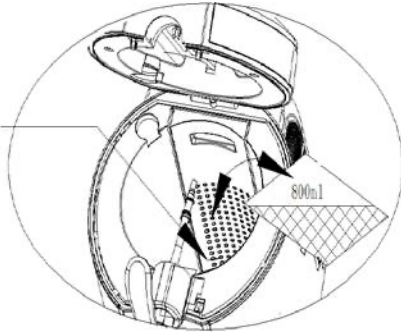


Figure 9

Make
sure the
drain
switch is
at "OFF"
position.

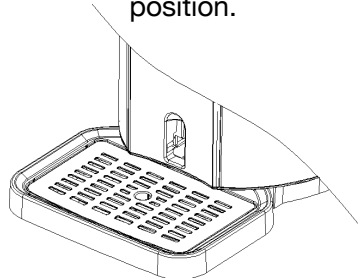


Figure 10

B. OPERATION

Universal 5L beer keg

1. Before piercing the plug on the top of the keg, you must always follow the instructions marked on the keg to eliminate the excess gas and ensure that the keg has rested long enough to avoid foam coming out through the tap faucet.

2. Uprightly direct the piercing pin against the sealant on the upper and then push the piercing pin all immerse in the keg quickly.

To assemble the tap mechanism until you hear a "Ka" sound that will indicate the tap mechanism fixes on the beer keg. (Show as figure 10)



Figure 10

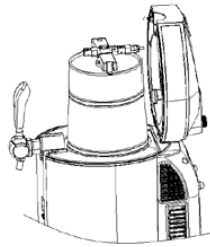


Figure 11

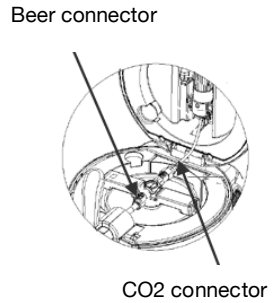


Figure 12

3. Open the beer cooler with 60-80N strength and place the well-assembled keg into the cooling cavity; Connect the CO2 connector tube and beer outlet tube with the keg lifter tube connector.

NOTES: make sure all connection of tap mechanism is well connected, and without damage. And make sure tap valve is on close status, and the CO2 pressure regulator knob is at “Off” status.

Close

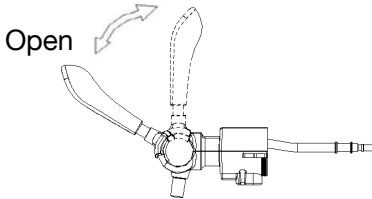


Figure 13

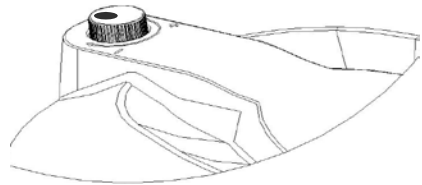


Figure 14

4. Loosen the CO2 bottle sheath (Show as figure 15), insert a 16gram CO2 cartridge in the sheath (Figure 16), and screw the sheath tightly until you will hear a “Click”(Figure 17), which indicates that the cartridge seal has been pierced and the CO2 gas can flow into the keg freely. Make us the bottle sheath is fixed tightly to avoid the CO2 leakage. Then put CO2 bottle sheath into the top cover.

Do not exceed
90°

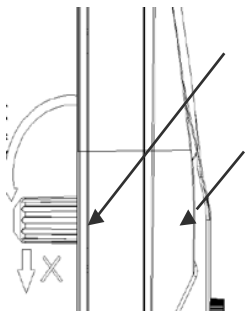
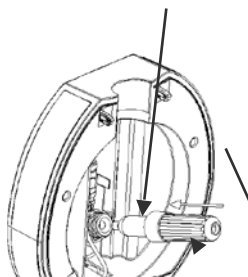


Figure 15

Regulator
assembly

16g CO2

Cover
assembly



CO2 bottle sheath

Figure 16

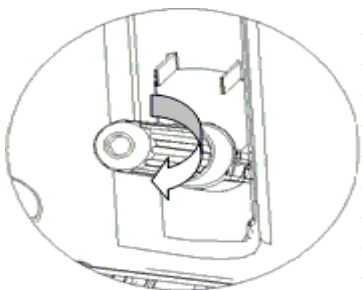


Figure 17

Notice:

- *Turn off the CO2 knob when cooling the beer
- *Turn off the CO2 knob when the beer flow is paused
- *Turn off the CO2 knob when changing the CO2 cartridge
- *When the beer cannot be tapped out (there is still beer in keg), or beer foams are not enough, turn the knob to "+" position for 5 seconds, then turn off it again.

Figure 18

5. Close the top cover of the beer cooler; When pouring out the beer, the turn the knob on the top cover to "+" position to release the CO2, and turn it to "-" position when pause or stop pouring beer to close the CO2. Please refer to the notice label on the top cover.

6. Turn on the power switch to "I" position to power on the beer cooler. (While "0" position is to power off it).

NOTES: Please make sure your hands are dry when you operate the beer cooler, to avoid electric shock.

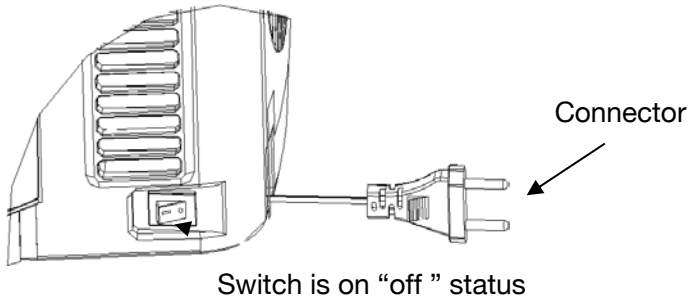


Figure 19

7. It will take 19-21 hours to cool the beer to 2-4°C at 22-24°C ambient temperature. And it can keep the temperature as set and displayed on the LED. We do, however, suggest that you initially cool your beer keg for at least 12 hours in your refrigerator before placing it into the beer cooler, especially when the ambient temperature is higher than 25°C.

8. You can set the temperature to fit your taste, by pressing the buttons on the front plate. The temperature can be set from 36°F to 54°F (2°C to 12°C), using the temperature adjusting button (+ and -) located aside the temperature display. The PCB has the memory function, when you power on the cooler, it memories the set temperate of last time.

The LED will default display the real temperature of beer. You can see the set temperature by pressing "+" button 1 second, it will display the set temperature, and 3 seconds later, it will recover and display the real temperature.

Preset Temperature

The beer cooler has 6 preset temperatures.

Press and hold “-” button, it enter the 6 preset temperatures, then you can press “-” button to choose a certain preset temperature, 40°F (4°C), 46°F (8°C), 48°F (9°C), 50°F (10°C), 52°F (11°C) and 54°F (12°C).

Press and hold “+” button, the unit can achieve conversion between Fahrenheit and Celsius.

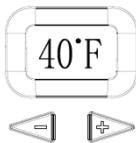


Figure 20

a. Adjust the CO2 pressure regulator knob to “+” position, to pour the beer out by pulling down the tap mechanism about 45°, and you can adjust the pressure regulator knob to control the beer flow rate and beer bubble; (Figure 13)

Note: Clean the glass before pouring beer out; if the beer or beer cup/glass is in high temperature or the beer is not cool enough, there are many bubbles when pouring beer out;

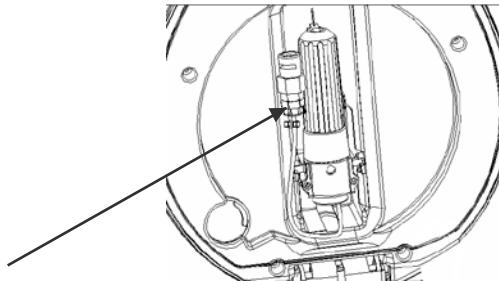
b. When taping the beer, lean your beer glass against the pouring spout and slowly straighten it up with the beer rising, then open the tap mechanism completely to avoid much bubble; It is advisable to pour half-glass, make a short pause before continuing the rest.

NOTES: Never immerse the pouring spout into the beer glass to avoid much bubble; Remember to lock the tap after finishing pouring.

- c. It is normal to have more bubbles when pouring the first 3 cup of beer.
 - d. There will be a sharp and high-speed jet when pouring the last cup of beer from keg.
- Please adjust the CO2 pressure regulation knob to “-” position to close the CO2 supplying and save the CO2.

9. Heineken Keg

Heineken kegs are pre-charged with CO2, and do not require the use of regulator, no need to install the CO2 cartridge. And the knob on the top cover does not work.



CO2 connector position

Figure 21

1. The Heineken connector that comes with your beer cooler can work with all Heineken 5 liter kegs. However you must use a flat head screwdriver to remove the green base from the keg in order to install the new connector, provided with the beer cooler.

2. When install the new connector to the Heineken keg, you must firstly install the clear beer tube one end to the connector, one end to the tap mechanism, then install the connector to the Heineken keg.

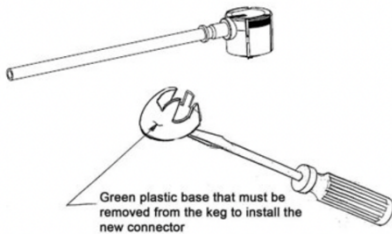


Figure 22

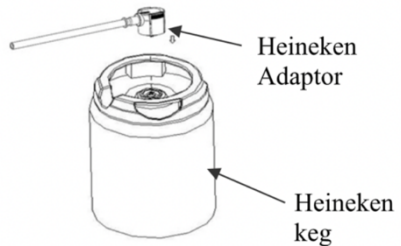


Figure 23

Note: Please take out the Heineken adaptor with collect ways, Press it according the arrow indication, or will damage the fastener

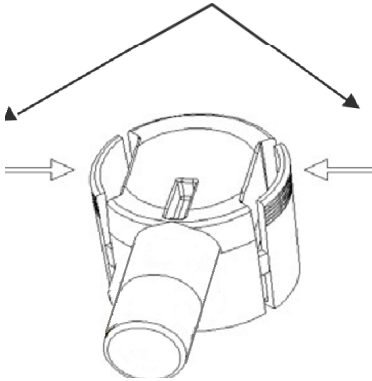


Figure 24

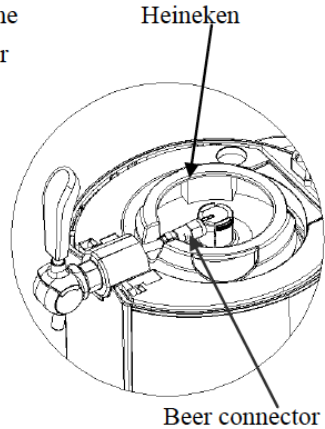


Figure 25

4. Close the top cover; operate it as above step 6-12, as the universal 5 liter keg, but step 9 is exception.

10. TO CHAGE A NEW BEER KEG (5 liter universal keg)

When the beer in the keg runs out, before changing a new beer keg.

- a. Adjust the CO2 pressure regulation knob to “-“ switch to shut off the CO2 supplying and save the CO2.
- b. Open the top cover of the beer cooler, pull down the tap handle to release the rest gas in the keg (maybe with some beer bubble).
- c. Then put the piercing pin into the new keg and put into the beer cooler. Connect the gas-tube and beer tube from the keg lifter, by pressing the white parts of keg lifter.
- d. Disconnect the gas-tube and beer tube from the keg lifter,
- e. Take out the keg by the keg lifter, and pull out the piercing pin from the keg.
- f. It is recommended to clean the tap mechanism when changing the beer keg each time. Please refer to the below contents about cleaning.

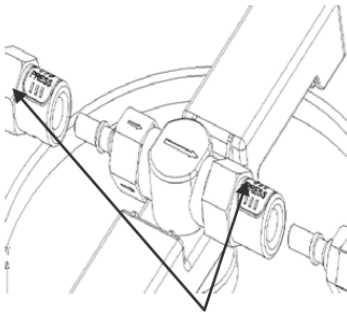
11. TO CHAGE A NEW CO2 CARTRIDGE (No need for Heineken keg)

Please change the CO2 cartridge if can't pour beer out when the CO2 pressure knob is at "on" position and has beer in keg

1. When turn the CO2 pressure knob to "-" position, to close the CO2 supplying.
2. Open the top cover, loose the cartridge sheath, and take out the empty CO2 cartridge.

Insert a new 16g CO2 cartridge in the sheath, and screw the sheath tightly until you will hear a "Click", which indicates that the cartridge seal has been pierced and the CO2 gas can flow into the keg freely. Make us the bottle sheath is fixed tightly to avoid the CO2 leakage. Then put CO2 bottle sheath into the top cover.

3. Close the top cover of beer cooler;



When you take out the beer connector and CO2 connector, please press the white button down

Figure 26

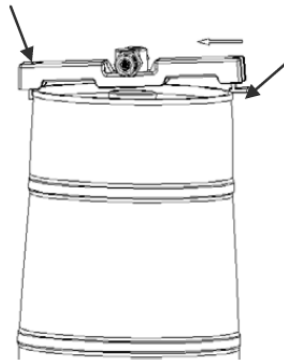
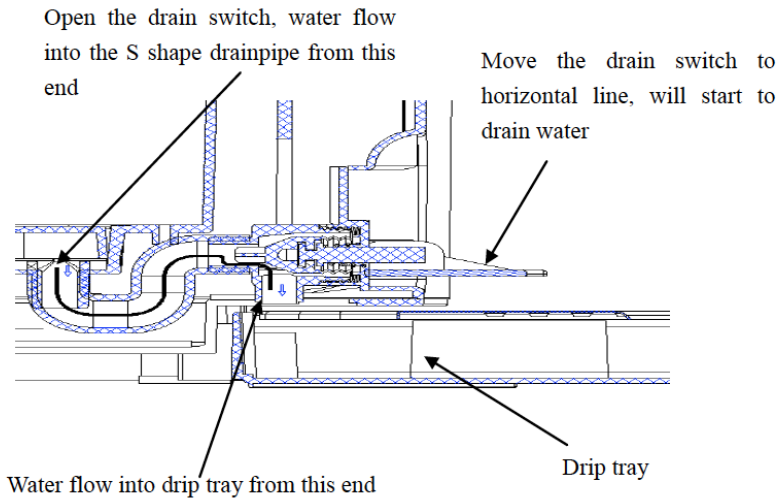


Figure 27

4. Turn the CO2 pressure knob to "+" position to turn on the CO2 supply, and it is ready to pour beer out.

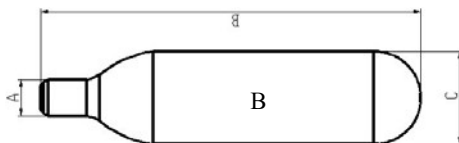
Reminder: each 16g CO2 cartridge can pressure more than 5L beer out;



Warning:

1. Please use the qualified CO2 cartridge.
The below CO2 cartridge information for your reference. Never use Nitrogen gas cartridge in the beer cooler to avoid the explosion, because of its much higher pressure;
2. New CO2 cartridge need good reserve, any play is forbidden, or will cause hazards.

16g CO2 Cartridge



NW g	Volume ml	GW g	Cartridge Weight g	A mm	B mm	C mm	D mm	Pressure Kgf/cm ²	Blast pressure bar
15.5	20	57.0	42.0	Ø8.6	88.0	Ø21.7	10	60	450
16.5		58.6	42.6	Ø8.9	89.0	Ø22.0	11		

12. REPLACE WATER INSIDE THE COOLING CAVITY

It is recommended replacing the water inside the cavity once each week. (No need to replace the water for each beer keg, one week one time recommended)

Figure 28(Sketch map of drain construction)

1. Open the drain switch to drain out the water from the cavity into the drip tray. Make sure the drip tray is fit into the notch to avoid water flow to the desk; the drip tray can load 450ml water;
2. After all water drain out, close the drain switch and put 800ml fresh water into the cavity.
3. Open the drain switch (drag the switch forward to 90 degree angle), and drain out the water inside the cavity to drip tray, and need twice to drain out the water..

Warning: 1) Clean water is necessary;

- 2) Make sure the drip tray is fit into the notch to avoid water flow to the desk;
- 3) The drip tray can load 400-500ml water;

CLEANING BEER TAP MECHANISAM

Beer cooler need conformity with hygienically demand, it need clean before the first use or for long time use, clean the whole machine with dry cloth. Otherwise two cleaning way is recommended as following:

1. Load the warm water into the cleaning kit.
2. And connect the end of piercing pin, press the water into the pin to clean the pin tube, and push the water out from the beer tube at the other end. And repeat this cleaning work till the beer tube clean (need 3 bottles warm water at least), please clean the beer tap mechanism as figure 30. Note: Please disassemble the tap when make the cleaning.

(Show as figure 29)

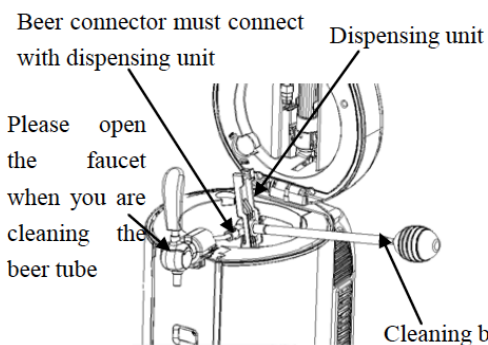


Figure 29

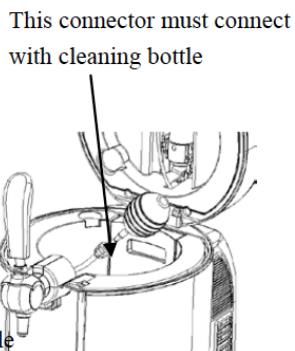


Figure 30








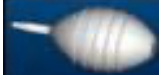
Warning:

Never put the tap mechanism parts in the washing machine or dishwasher;

Never use the chemical cleaning detergent to clean the parts, warm or purified water is recommended.

TO CHANGE SPARE PARTS

ACCESSORIES INCLUDED WITH YOUR *BEER COOLER*

Items	Name	Qty.	Installment	Picture	Spare parts
1	Connector seal	3	Regulator valve		2pcs
2	CO2 connector	2	Regulator valve		1pcs
3	Beer tube	2	Beer-out connector		2pcs
4	Tube seal circle	4	Beer-in pipe		3pcs
5	Keg seal	2	Standard tub		2pcs
6	Heineken adaptor	3	Heineken tub		3pcs
7	CO2 cartridge	3	Regulator valve assembly		3pcs
8	Cleaning pump	1			1pcs

A. Replace CO2 connector and seal washer

CO2 connector and seal washer maybe damaged when wrong usage or other reasons, please replace a new one.

1. Firstly, pick out the seal washer with a tiny metal stick (Show as figure 31), and take out CO2 connector (if only replace the seal washer, this step can be cancelled). Be careful not damage other parts of regulator.

2. Install a new CO2 connector in the regulator (leave the sharp end outside toward), and install the seal washer (Show as figure 32). Don't remove other parts of regulator in the replacing process.

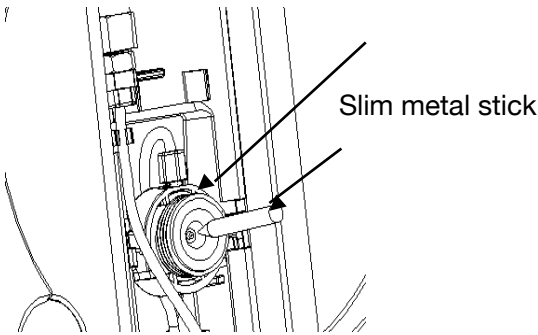


Figure 31

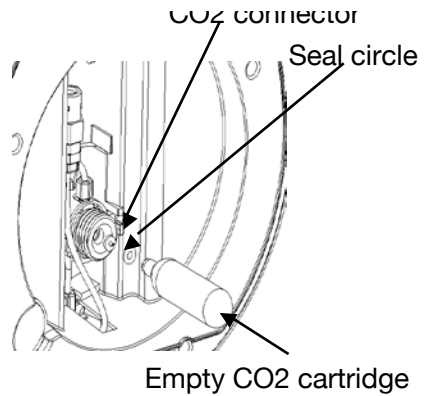


Figure 32

Warning: Remember press the seal circle with empty cartridge instead of new cartridge, or will cause hazard.

B. TO CHANGE BEER TUBE (show as figure 33)

Please replace the beer tube if beer tube is damaged and cause beer leakage.

1. Pull down the locking of beer tube, and then draw out the tube.
2. Screw out the joint nut of beer tube, and draw the tube out.
3. Replace a new beer tube, and install the beer tube according with reverse procedure.

NOTES: Don't move other screws when processing tube replacement, otherwise, it may cause the beer leakage or gas leakage.

1) Turn the faucet to the state of releasing, and then open the cover to take out silicone tube.

2) Replace a new beer silicone tube, and install it according with reverse procedure.

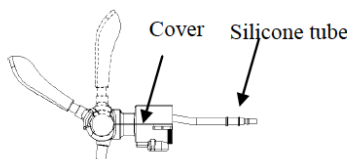


Figure 33

C. Replace the seal circle of beer tube (Show as figure 34)

Replace the new seal circle of beer tube if the connector has leakage

1. Turn out the beer tube as indication of bellowing figure
2. Take out the seal circle of beer tube
3. Replace a new seal circle on same position
4. Turn the seal circle tightly to avoid any leakage

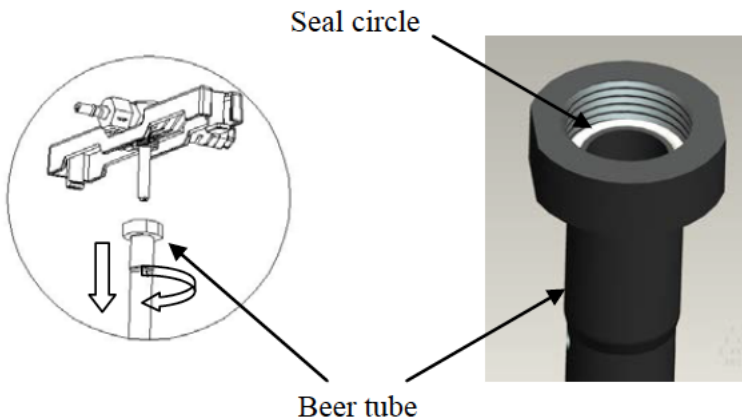


Figure 34

MAINTENANCE

If the beer cooler does not work properly, please call the service center;

To save time and money, before you call for service, check the Troubleshooting Guide. It lists cause of minor operation problems that you can correct yourself.

Trouble	Cause	Troubleshooting
The tap does not work / can't pour beer out	<ol style="list-style-type: none">1. The pouring tube is in poor connection or CO2 supplying is cut off2. No keg or no beer in the keg;3. No gas in the CO2 cartridge4. The CO2 pressure regulator knob is close	<ol style="list-style-type: none">1. Well connect the pouring tube and CO2 supplying2. Change a new keg3. Change a new CO2 cartridge4. Turn the CO2 pressure regulator knob on "+" position
Too much bubble pouring out	<ol style="list-style-type: none">1. Use a wrong way to pour beer out2. The beer temp is high (better at 3-5C)3. The keg is shaken before usage4. Almost no beer in the keg5. Too much pressure in the keg	<ol style="list-style-type: none">1. Use the right way to pour beer out2. Cool the beer down to 3-5C3. Put the beer keg aside a while till no bubble inside4. Change a new keg5. Adjust the pressure knob to "-" direction to decrease the pressure or close the knob
Beer flows out too slowly	<ol style="list-style-type: none">1. Inside CO2 pressure isn't high enough2. The connection tube or pouring tube has leakage	<ol style="list-style-type: none">1. Adjust the pressure knob to release much CO2 pressure or replace a new one.2. Check whether the tube is leakage or not, if so replace the tube

WARRANTY

The warranty period for our products is 2 years, unless otherwise stated, starting from the date of initial purchase or the date of delivery.

If you have any problems or questions, you can easily access our help pages, troubleshooting tips, FAQ, and user manuals on our service site: <https://sav.hkoenig.com>.

By typing the reference name of your device in the search bar, you can access all available online support, designed to best meet your needs.

If you still cannot find an answer to your question or problem, then click on “Did the answer solve your problem?”. This will direct you to the Customer Support Request Form, which you can fill out to validate your request and get help.

WARRANTY CONDITIONS

The warranty covers all failures occurring under normal use, in accordance with the usage and specifications in the user's manual. This warranty does not apply to packaging or transportation problems during shipment of the product by the owner. It also does not include normal wear and tear of the product, nor maintenance or replacement of consumable parts.

EXCLUSION OF WARRANTY

- Accessories and wearing parts (*).
- Normal maintenance of the device.
- All breakdowns resulting from improper use (shocks, failure to comply with power supply recommendations, poor conditions of use, etc.), insufficient maintenance or misuse of the device, as well as the use of unsuitable accessories.
- Damage of external origin: fire, water damage, electrical surge, etc.
- Any equipment that has been disassembled, even partially, by persons other than those authorized to do so (notably the user).

- The products whose serial number would be missing, deteriorated or illegible that would not allow its identification.
- The products subjected to leasing, demonstration, or exhibition.

(*) Some parts of your device, called wear parts or consumables, deteriorate with time and frequency of use of your device. This wear and tear are normal but can be accentuated by poor conditions of use or maintenance of your device. These parts are therefore not covered by the warranty.

The accessories supplied with the device are also excluded from the warranty. They cannot be exchanged or refunded. However, some accessories can be purchased directly through our website:

<https://sav.hkoenig.com/>.

ENVIRONMENT

CAUTION :



Do not dispose of this product as it has with other household products. There is a separation of this waste product into communities, you will need to inform your local authorities about the places where you can return this product. In fact, electrical and electronic products contain hazardous substances that have harmful effects on the environment or human health and should be recycled. The symbol here indicates that electrical and electronic equipment should be chosen carefully, a wheeled waste container is marked with a cross.

Adeva SAS / H.Koenig Europe - 8 rue Marc Seguin, 77290 Mitry-Mory, France
www.hkoenig.com - <https://en.hkoenig.com> - Tél: +33 1 64 67 00 05

FRANÇAIS

Lisez le mode d'emploi avant d'installer l'appareil et conservez-le.

INTRODUCTION

Ceci est un distributeur refroidisseur de bière équipé d'une cartouche de CO₂ sous pression prévu pour un usage domestique. Il permet de refroidir votre bière à une température comprise entre 0 et 4°C sous 19 à 21 heures.

Il est conseillé de laisser le fût pendant 12h au réfrigérateur avant de le placer dans l'appareil, ceci permettra de garder les 5L de bière au frais pendant encore plus longtemps.

IMPORTANT : INSTRUCTIONS DE SÉCURITÉ

Les instructions de sécurité de ce manuel sont essentielles à l'utilisation de l'appareil en toute sécurité, lisez-les, avant d'utiliser l'appareil et conservez le manuel pour vous y référer en cas de besoin.

Instructions de sécurité

- Avant l'utilisation, vérifiez que le câble d'alimentation est correctement branché.
- Avant de brancher l'appareil vérifiez qu'il soit compatible avec votre installation électrique.
- Ne jamais brancher ou débrancher avec les mains mouillées.
- Placez l'appareil sur une surface sèche et plane.
- Assurez-vous de laisser au moins 10 cm autour de l'appareil pour laissez circuler l'air autour.
- Ne pas laisser au soleil.

- Ne pas couvrir l'appareil.
- Installer l'appareil à l'abri des éléments.
- Débranchez avant de nettoyer l'appareil. Nettoyer l'appareil branché, pourrait provoquer des dommages mortels par électrocution.
- Ne jamais immerger l'appareil ou le câble d'alimentation dans l'eau ou tout autre liquide.
- Ne pas utiliser de tissus ou produits abrasifs pour nettoyer l'appareil.
- Ne pas sortir le fût de l'appareil tant qu'il n'est pas vide.
- Ne pas sortir la cartouche de CO₂ tant qu'elle n'est pas vide.
- Ne pas utiliser l'appareil sous des températures supérieures à 49°C, car la cartouche de CO₂ pourrait exploser.
- Ne pas laisser les enfants utiliser l'appareil.
- Cet appareil peut être utilisé par des personnes ayant des capacités physiques, sensorielles ou mentales

réduites ou un manque d'expérience et de connaissances à condition qu'elles aient reçu une supervision ou des instructions concernant l'utilisation de l'appareil en toute sécurité et qu'elles comprennent les dangers encourus. Les enfants ne doivent pas jouer avec l'appareil.

- L'appareil n'est pas destiné à être mis en fonctionnement au moyen d'une minuterie extérieure ou par un système de commande à distance séparé.
- N'utilisez pas l'appareil si son câble d'alimentation ou sa prise est endommagée, s'il ne fonctionne pas correctement, s'il a été abimé ou s'il est tombé. Si le câble d'alimentation est endommagé, il doit être remplacé par le fabricant ou son agent ou encore par une personne qualifiée afin d'éviter tout risque.
- L'appareil ne doit pas être utilisé s'il a chuté, s'il y a des signes visibles de

dommages ou en cas de tuite

- Cet appareil peut être utilisé par des enfants âgés d'au moins 8 ans, à condition qu'ils bénéficient d'une surveillance ou qu'ils aient reçu des instructions quant à l'utilisation de l'appareil en toute sécurité et qu'ils comprennent bien les dangers encourus.
- Le nettoyage et l'entretien par l'utilisateur ne doivent pas être effectués par des enfants, à moins qu'ils ne soient âgés de plus de 8ans et qu'ils soient sous la surveillance d'un adulte.
- Conserver l'appareil et son câble hors de portée des enfants âgés de moins 8ans.
- Lors de l'utilisation d'appareils électriques, des précautions de sécurité doivent toujours être prises pour prévenir tout risque d'incendie, de choc électrique et/ou de blessure en cas de mauvaise utilisation.

- Votre appareil a été conçu pour un usage domestique seulement. Elle n'a pas été conçue pour être utilisée dans les cas suivants qui ne sont pas couverts par la garantie :
 - dans des coins de cuisines réservés au personnel dans des magasins, bureaux et autres environnements professionnels,
 - dans des fermes auberges,
 - par les clients des hôtels, motels et autres environnements à caractère résidentiel,
 - dans des environnements de type chambres d'hôtes.
- Vérifier que le voltage indiqué sur la plaque signalétique de l'appareil correspond bien à celui de votre installation électrique. Si ce n'est pas le cas, adressez-vous au revendeur et ne branchez pas l'appareil
- Ne jamais laisser l'appareil sans surveillance lorsqu'il est en

fonctionnement.

• Veuillez conserver ce document à disposition et le remettre au futur propriétaire en cas de cession de votre appareil

Sélection du fût

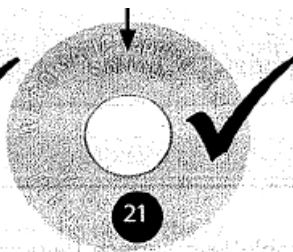
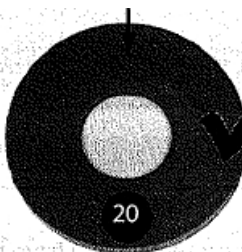
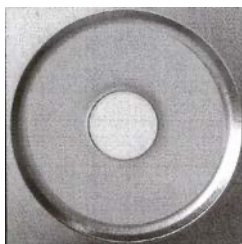
- Seuls les fûts universels de 5L et les fûts Heineken sont compatibles.
- Respectez les instructions de sécurité fournies avec le fût.
- Vérifiez que le fût n'est pas endommagé.
- Évitez d'abîmer la partie supérieure du fût car cela risque d'empêcher de brancher le tuyau facilement.
- Laisser le fût pendant 12h au réfrigérateur avant de le placer dans l'appareil.
- Ne pas secouer le fût.
- Ne pas laisser le fût au soleil.



Mastics

Les fûts de 5L utilisant les mastics suivants conviennent à l'appareil.

*Les mastics No. 20 et 21 peuvent être percés facilement.



*Le mastic No. 22 doit être retiré avant d'installer le fût dans l'appareil (Image 1)



La différence entre les mastics 23 et 24 est dans le fermoir. Tirez délicatement sur le fermoir, tourner et tirez pour l'enlever, remplacez le fermoir avec le mastic fourni avec le fût et percer le avec l'appareil. (Image 3).

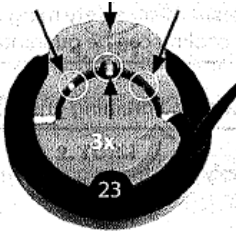


Image 1

(Important: Avant de remplacer le mastic, suivez les indications fournies avec le fût pour libérer l'excès de gaz et laisser reposer le fût suffisamment avant de le connecter à l'appareil. Cette étape n'est pas nécessaire avec les fûts Heineken car ils ont une cartouche de CO2 intégrée.

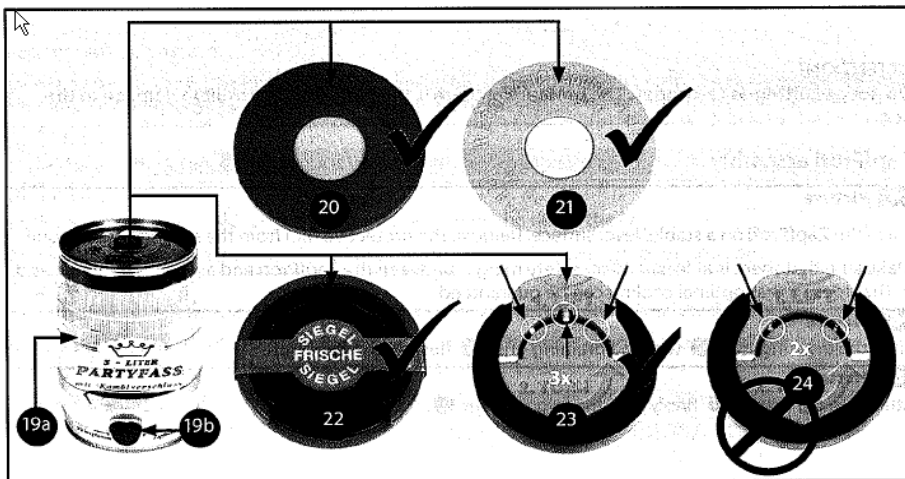


Image 2



Image 3

SPECIFICITÉS

Info	Description	Spécificités
1	Voltage	AC 220-240V/50Hz
2	Capacité	Fûts de 5 litres
3	Puissance	65W
4	Capacité de refroidissement	De 2 à 12 °C (température ambiante entre 22 et 24 °C)
5	Bruit	≤38dB(A); (bruit ambiant ≤25dB(A))

6	Dimensions	W272*D480*H470mm
7	Poids Net	6.4±0.3Kg
8	CO2	√
9	Aspect acier inoxydable	√
10	Radiateur aluminium	√
11	Système réfrigérant	√
12	Refroidissement à eau	√
13	Écran LED	√
14	Drainage manuel	√
15	Tiroir anti-goutte amovible	√
16	Température ajustable	√
17	Système de conservation	PU isolation / Poids 310±5g
18	Type de climatisation	N/SN

COMPOSANTS

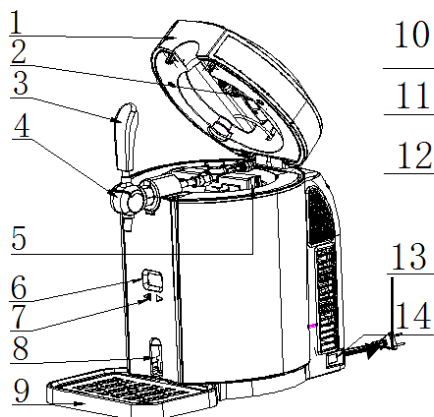


Image 4

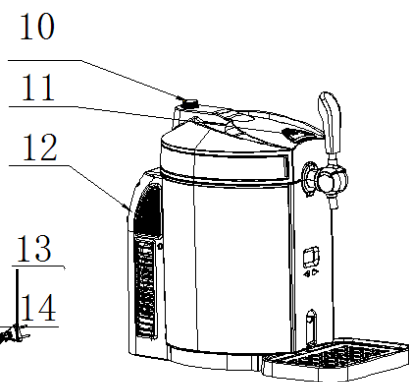


Image 5

- | | |
|-----------------------|--------------------------------|
| 1. Couverture | 8. Sortie |
| 2. Cartouche de CO2 | 9. Tiroir anti-goutte amovible |
| 3. Poignée du robinet | 10. Valve anti-pression |
| 4. Robinet | 11. Fermeur |
| 5. Filtre du fût | 12. Couverture arrière |
| 6. Écran LED | 13. Câble d'alimentation |
| 7. Boutons digitaux | 14. Bouton ON/OFF |

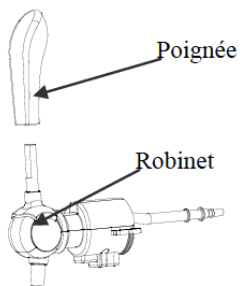


Image 6

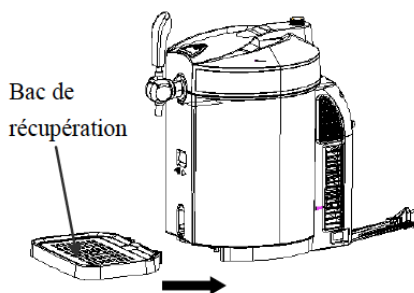


Image 7

INSTALLATION & UTILISATION

A. INSTALLATION

1. Déballez l'appareil et placez-le sur une surface stable en laissant 10 cm au tour de l'appareil pour permettre à l'air de circuler.
2. Installer le robinet et assurez-vous que la connexion est parfaitement faite pour éviter les fuites. (Image 6)
3. Placez le tiroir anti-goutte amovible. (Image 7)
4. Branchez l'appareil.

Note: Ne jamais brancher ou débrancher l'appareil avec les mains humides. Avant de brancher l'appareil vérifiez qu'il soit compatible avec votre installation électrique et vérifiez que le câble est en parfait état.

5. Versez 800ml d'eau dans le système de refroidissement water (Image 8) (Vous pouvez utiliser l'appareil sans eau mais il sera moins efficace)

Note: Assurez-vous que le système d'évacuation est "Off". (Image 9)

Niveau d'eau max

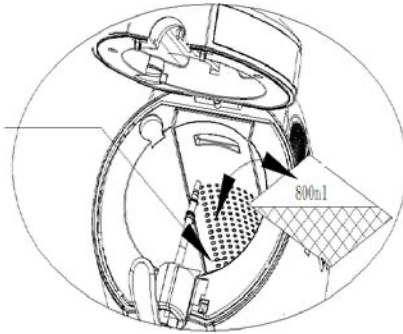


Image 8

Assurez-vous que le commutateur de vidange est en position «OFF».

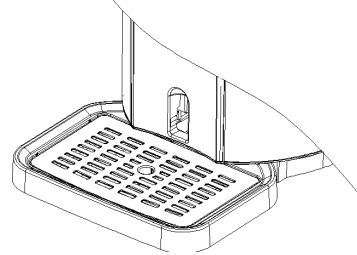
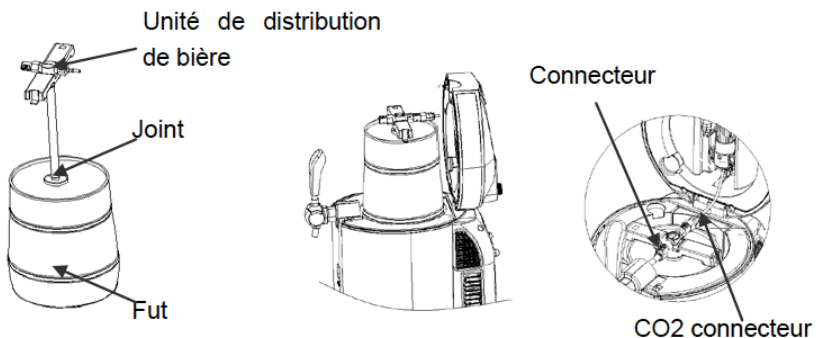


Image 9

B. UTILISATION

Fûts universels de 5L

1. Avant de remplacer le mastic, suivez les indications fournies avec le fût pour libérer l'excès de gaz et laisser reposer le fût suffisamment avant de le connecter à l'appareil. Cette étape n'est pas nécessaire avec les fûts Heineken car ils ont une cartouche de CO2 intégrée.



2. Percez le mastic, et pressez l'aiguille rapidement dans le fût. Installez le robinet jusqu'à entendre un "Ka" qui confirme que le mécanisme est correctement en place

3. Installez le fût dans l'appareil; connectez les tubes du CO2 et de la bière au robinet.

NOTES: Assurez-vous que le tout est bien installé et que le système d'évacuation est "Off".

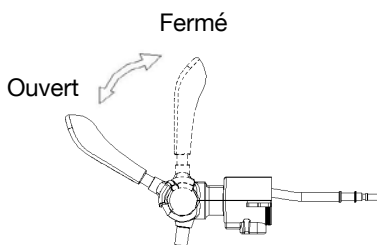


Image 13

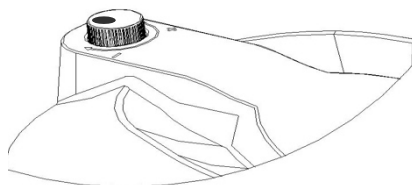


Image 14

4. Relâchez le fourreau du CO2 (Image 15), insérez une cartouche de 16gram de CO2 (Image 16), puis resserrez le fourreau jusqu'à entendre un "Click" qui vous confirme que la cartouche est percée et le gaz peut circuler (Image 17). Une fois la cartouche bien installée placez-la sur le couvercle de l'appareil.

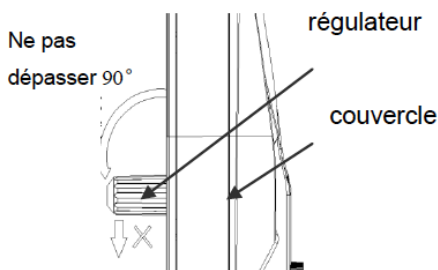


Image 15

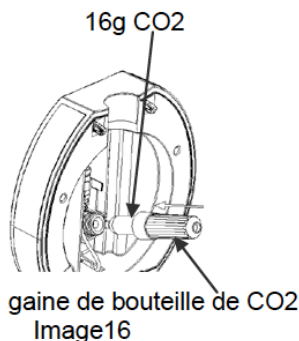


Image16

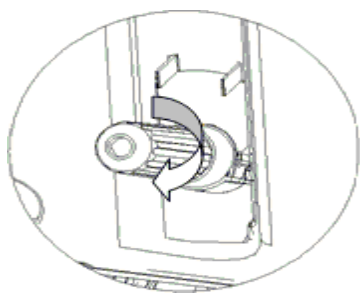


Image 17

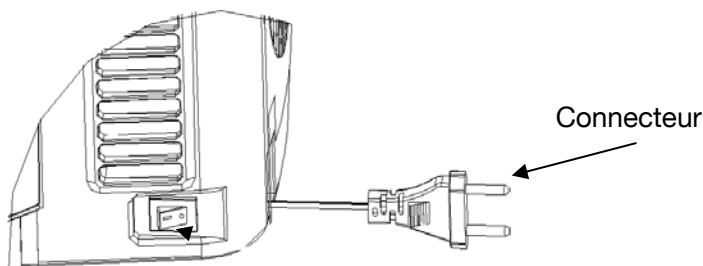
- * Fermer le bouton CO2 lors du refroidissement de la bière
- * Fermer le bouton CO2 lorsque le débit de bière est en pause.
- * Fermer le bouton CO2 lorsque vous changez la cartouche de CO2.
- * Lorsque la bière ne peut pas être vidée (il y a encore de la bière dans le fût), ou si la mousse de bière ne suffit pas, tourner le bouton en position '+' pendant 5 secondes, puis l'éteindre à nouveau.

Image 18

5. Fermez le couvercle; Placez le robinet sur “+” pour relâcher le CO2, et sur “-“ pour arrêter le CO2 et le flux de bière.

6. Placez le bouton ON/OFF sur “I” pour allumer et “0” pour éteindre.

NOTES: Toujours manipuler l'appareil avec des mains sèches pour ne pas risquer de vous électrocuter.



Vérifier que le bouton soit en position « off »

Image 19

7. Il vous faudra 19 à 21 heures pour descendre la température de votre bière entre 2 et 4°C avec une température ambiante de 22 à 24°C. L'appareil conserve la température indiquée sur l'écran LED. Il est recommandé de réfrigérer le fût pendant 12 heures surtout si la température ambiante est supérieure à 25°C.

8. Vous pouvez adapter la température à vos préférences en utilisant les boutons (+ et -) : entre (2°C et 12°C).

prochaine utilisation.

L'écran LED indique la température de la bière. Appuyez sur le bouton “+” pendant une seconde pour adapter la température, au bout de 3 secondes l'écran affichera de nouveau la température de la bière.

Réglage de la Température

Vous disposez de 6 températures présélectionnées.

Appuyez et maintenez le bouton “-” puis pressez à nouveau le bouton “-” pour choisir une de ces températures présélectionnées : 4°C, 8°C, 9°C, 10°C, 11°C et 12°C.

Appuyez et maintenez le bouton “+” pour choisir entre les degrés Celsius et Fahrenheit

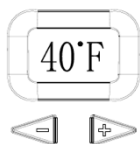


Image 20

9. Ajustez le CO2 avec le bouton “+” pour verser la bière, placez le robinet à 45 degrés pour adapter le flux de bière. (Image 13).

Note: Versez la bière dans un verre parfaitement propre; si la bière ou le verre sont chauds, des bulles se créent dans le verre.

10. Pour verser la bière, penchez le verre et redressez-le au fur et à mesure qu'il se remplit. Il est conseillé de remplir le verre à moitié, laisser reposer un instant avant de finir de remplir le verre.

NOTES: Ne pas tremper le robinet dans la bière pour éviter de créer des bulles. Pensez à bien bloquer le robinet une fois le verre rempli.

11. Il est normal que des bulles se créent dans les 3 premiers verres versés.

12. Le dernier jet de bière est assez abrupt.

Ajustez le CO2 en pressant le bouton “-” pour l'économiser.

C. Fût Heineken

Ils sont déjà chargés de CO2, il est donc inutile de monter la cartouche de CO2

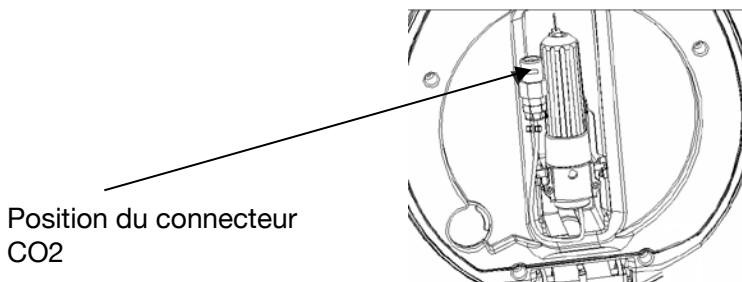
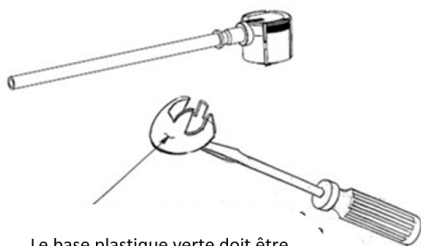


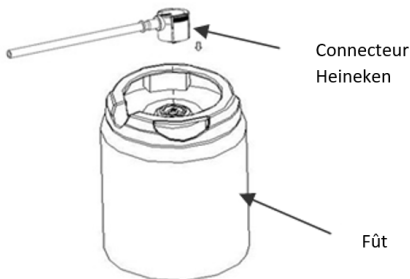
Image 21

1. Le connecteur Heineken fourni avec le fût de 5L est compatible avec tous les fûts de 5L de Heineken. Vous pouvez enlever l'anneau ver avec un tourne vis plat pour installer celui fourni avec l'appareil.

2. Pour installer le connecteur sur le fût Heineken, il faut d'abord installer le tube transparent à la fois sur l'appareil et sur le connecteur.



Le base plastique verte doit être enlevée du fût pour installer le nouveau connecteur



Note: S'il vous plaît utiliser l'adaptateur Heineken. Appuyez dessus selon les indications ou vous risquez de l'endommager

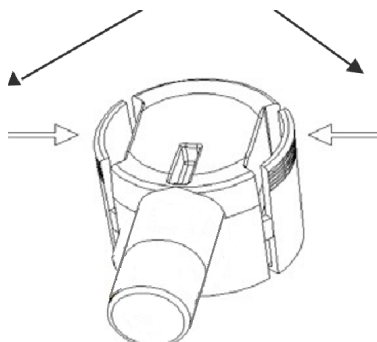


Image 23

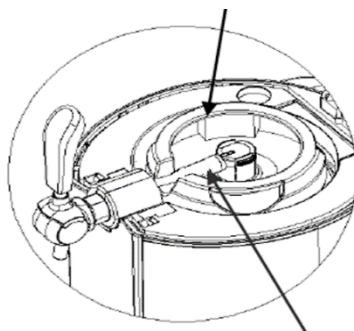


Image 24

3. Fermez le couvercle, comme indiqué sur les étapes 6 à 12 en omettant l'étape 9 pour les fûts universels de 5 litres.

D. POUR CHANGER LE FÛT (Universels de 5 litres)

Pour changer le fût.

1. Ajustez le CO2 en pressant le bouton “-“ pour couper le CO2 et l'économiser.

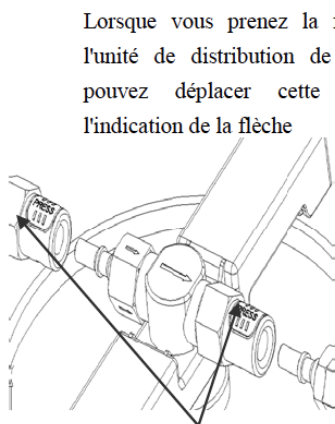
2. Ouvrez le couvercle, tirez le robinet pour relâcher le gaz.

3. Percez le nouveau fût avec l'aiguille et connectez-le à l'appareil. Connectez le tube de gaz à la poignée du fût.

4. Déconnectez le tube de gaz et de bière à l'appareil.

5. Retirez le fût en le prenant par la poignée et retirez l'aiguille du fût.

6. Nettoyez le robinet chaque fois que vous changez le fût. Consultez les instructions d'entretien.



Lorsque vous prenez le connecteur du connecteur de la bière et de CO2, s'il vous plaît appuyez sur le bouton blanc vers le bas

Image 26

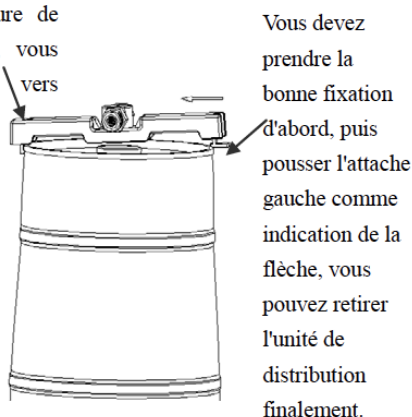


Image 27

E. CHANGER LA CARTOUCHE DE CO2 (Pas nécessaire pour les fûts Heineken)

Lorsque vous ne pouvez pas verser la bière alors que le robinet est “on”, cela veut dire que la cartouche de CO2 doit être changée.

1. Mettre le CO2 sur “-“ pour couper le CO2.
2. Ouvrir le couvercle, relâchez le fourreau de la cartouche et enlevez la cartouche de CO2.

Insérez une nouvelle cartouche de 16g de CO2 dans le fourreau, et vissez jusqu’à entendre un “Click”, qui vous indique que la cartouche a été percée. Vérifiez que c’est bien monté correctement et qu’il n’y a pas de fuite. Remettez le fourreau avec la cartouche dans le couvercle.

3. Refermez le couvercle.

4. Positionnez le CO2 sur “+“ et servez votre bière.

RAPPEL: chaque cartouche de 16g de CO2 peut verser plus de 5L de bière.

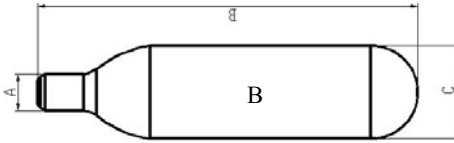
Attention:

1. Utilisez les cartouches de CO2 compatibles.

Les données ci-dessous sont pour votre information. Ne jamais utiliser de Nitrogène car la pression serait trop importante et la cartouche pourrait exploser.

2. Ne jamais modifier les cartouches, ceci pourrait être très dangereux, et causer des blessures.

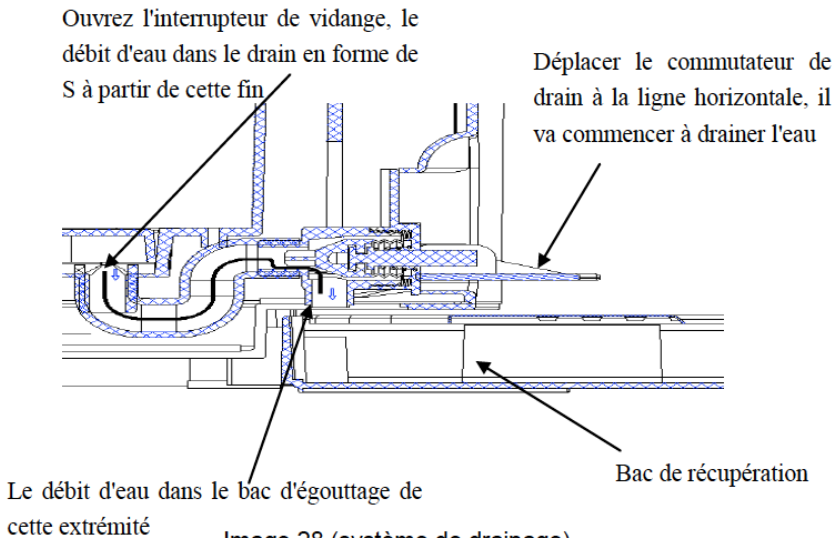
16g CO2 Cartouche



Poids Net g	Volum ^e ml	Poids brut g	Poids de la cartouche g	A mm	B mm	C mm	D mm	Pression Kgf/cm ²	Pression de l'explosion
15.5 16.5	20	57.0 58.6	42.0 42.6	Ø8.6 Ø8.9	88. 0 89. 0	Ø2 1.7 Ø2 2.0	10 11	60	450

F. REMPLACER L'EAU du SYSTÈME de REFROIDISSEMENT

Il est conseillé de remplacer l'eau du système de refroidissement une fois par semaine. (Il n'est pas nécessaire de remplacer l'eau chaque fois que vous remplacez le fût).



1. Ouvrez l'évacuation pour vider le résidu du tiroir anti-goutte amovible qui peut contenir jusqu'à 450ml water.
2. Une fois l'eau vidée, fermez l'évacuation et versez 800ml d'eau dans le système de refroidissement.
3. Ouvrez l'évacuation (tirez le robinet à 90 degrés), drainez l'eau du réservoir dans le tiroir anti goûte.

Warning: 1) Utilisez de l'eau claire

- 2) Assurez-vous de placer le tiroir anti goutte pour éviter les fuites
- 3) Le tiroir peut contenir entre 400 et 500ml d'eau

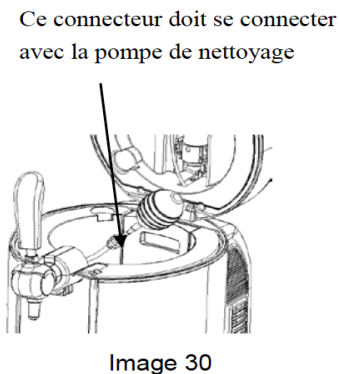
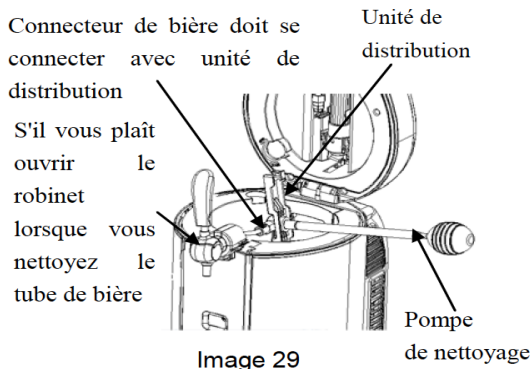
NETTOYAGE DU ROBINET

Pour des raisons d'hygiène il est conseillé de nettoyer l'appareil avant de l'utiliser surtout s'il n'a pas été utilisé depuis longtemps.









1. Versez l'eau chaude dans le kit de nettoyage.
2. Versez l'eau à travers l'aiguille pour nettoyer, l'aiguille et le tube (il est conseillé de faire passer 3 bouteilles d'eau pour que le nettoyage soit efficace.

Note: Démontez le robinet pour le nettoyage. (Image 29)

Avertissement: Ne pas mettre les pièces au lave-vaisselle. pas utiliser de détergent, seule de l'eau chaude doit être utilisée.



PIÈCES ET ACCESSOIRES INCLUS DANS L'APPAREIL

PIÈCES	NOM	Qté	FONCTION	PHOTO	PIÈCES DE RECHANGE
1	Joint du Connecteur	3	Régulateur		2 pièces
2	CO2 connecteur	3	Régulateur		1 pièces
3	Tube	2 2	Connecteur court Connecteur long		2 pièces de chaque
4	Joint du tube	4	Tuyau		3 pièces
5	Joint du fût	2	Tuyau standard		2 pièces
6	Adaptateur Heineken	3	Connecteur Heineken		3 pièces
7	Cartouche CO2	3	Valve régulatrice		3 pièces
8	Pompe de nettoyage	1			1 pièces

A. Remplacez le connecteur CO2

Le connecteur CO2 peut être endommagé si on l'utilise de façon impropre.

1. Tout d'abord, nettoyez le joint (Image 31), démontez le connecteur CO2. Faites attention de ne pas endommager les autres composants.

2. Installer un nouveau connecteur CO2 et installer le nouveau joint (Image 32). Ne démontez pas les autres composants.

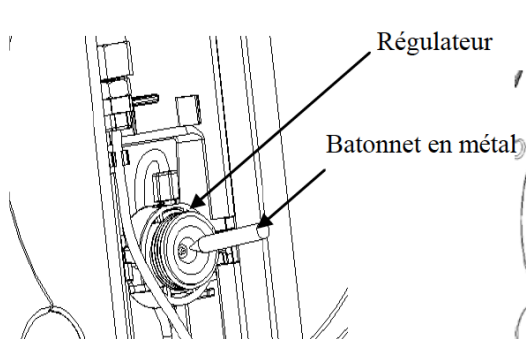


Image 31

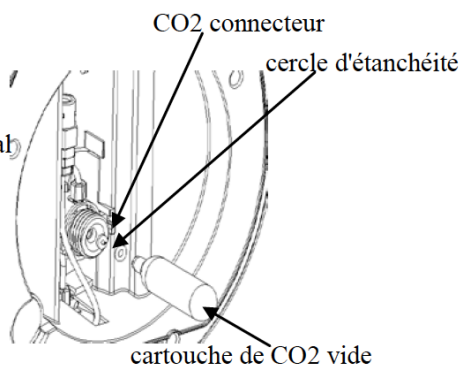


Image 32

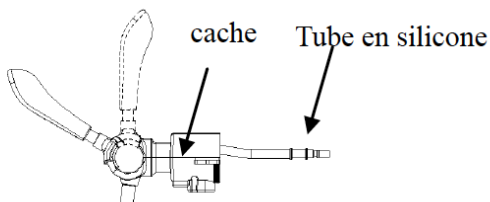
B. CHANGER LE TUYAU (Image 33)

Remplacez le tuyau pour éviter les fuites.

1. Retirez les deux extrémités du tuyau.
2. Replacez le tuyau et installez-le.

NOTES: Ne pas toucher les autres composants afin d'éviter d'endommager l'appareil et provoquer des fuites.

- 1) Ouvrez le robinet avant de monter le tuyau.
- 2) Replacez le nouveau tuyau.



Remplacez le joint pour éviter les fuites.

1. Démontez le tuyau comme sur l'image
2. Enlevez le joint
3. Placez le nouveau joint
4. Ajustez le tuyau pour éviter les fuites

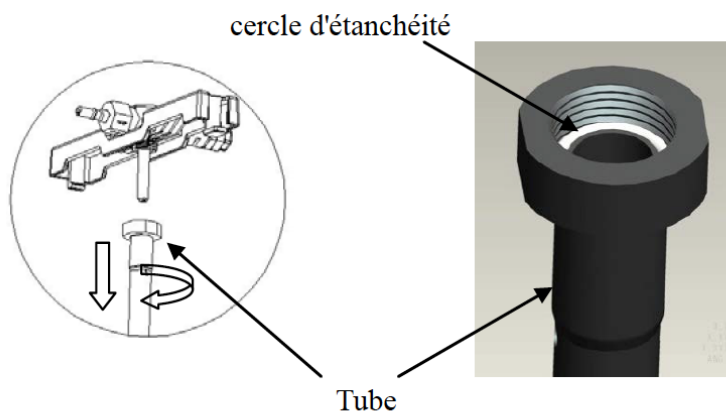


Image 34

ENTRETIEN

En cas de disfonctionnement, confiez l'appareil au service après-vente.

Pour éviter de perdre du temps, consultez le tableau des pannes ci-dessous.

Pannes

Problème	Cause	Solution
Le robinet ne marche pas, la bière ne coule pas	<ol style="list-style-type: none">1. Mauvaise connexion du tuyau, CO2 est coupé2. Pas de fût, le fût est vide3. Pas de CO24. La pression du CO2 est mal réglée	<ol style="list-style-type: none">1. Connectez le tuyau et le CO22. Installez un fût3. Changez la cartouche de CO24. Placez le CO2 sur "+"
Trop de bulles	<ol style="list-style-type: none">1. Mauvaise méthode2. La bière est chaude3. Le fût a été secoué4. Presque plus de bière dans le fût5. Trop de pression dans le fût	<ol style="list-style-type: none">1. Versez la bière correctement2. Refroidissez la bière3. Reposez le fût4. Changez le fût5. Ajustez la pression avec le bouton "-" pour baisser la pression
La bière coule trop doucement	<ol style="list-style-type: none">1. Pression de CO2 insuffisante2. Il y a une fuite	<ol style="list-style-type: none">1. Ajustez la pression du CO22. Vérifiez le tuyau

GARANTIE

La durée de garantie de nos produits est de 2 ans, sauf décret en vigueur, à compter de la date d'achat initiale ou la date de livraison.

En cas de problèmes ou d'interrogations, vous pouvez facilement accéder à nos pages d'aides, conseils de dépannage, FAQ et modes d'emplois sur notre site SAV : <https://sav.hkoenig.com>.

En tapant le nom de référence de votre appareil dans la barre de recherche, vous accédez à tous les supports en ligne disponibles, conçus pour vous répondre au mieux à vos besoins.

Si vous ne trouvez toujours pas de réponse à votre question ou votre problème, alors cliquez sur « Est-ce que la réponse a résolu votre problème ? ». Vous accéderez alors au formulaire de demande d'assistance SAV, qu'il vous suffira de compléter pour valider votre demande et obtenir de l'aide.

CONDITIONS DE GARANTIE

La garantie couvre l'ensemble des pannes survenant dans le cadre d'une utilisation normale, conforme aux usages et spécifications présentes sur le manuel d'utilisation.

Cette garantie ne s'applique pas aux problèmes d'emballage ou de transport pendant l'expédition du produit par son propriétaire. Elle n'inclut également pas l'usure normale du produit, ni la maintenance ou le remplacement de pièces consommables.

EXCLUSION DE GARANTIE

- Les accessoires et les pièces d'usure (*).
- L'entretien normal de l'appareil.
- Toutes pannes survenant par suite d'une mauvaise utilisation (chocs, non-respect des préconisations d'alimentation électrique, mauvaises conditions d'utilisation, etc.), d'un entretien insuffisant ou d'un détournement de fonction de l'appareil, ainsi que l'usage d'accessoires non appropriés.
- Les dommages d'origine externe : incendie, dégâts des eaux, surtension électrique, etc.

- Tout matériel qui aura été démonté même partiellement par des personnes autres que celles habilitées (notamment l'utilisateur).
- Les produits dont le numéro de série serait absent, détérioré ou illisible que ne permettrait pas son identification.
- Les produits soumis à la location, à la démonstration ou à l'exposition.

(*) Certaines pièces de votre appareil dites pièces d'usure ou consommables se détériorent avec le temps et la fréquence d'usage de votre appareil. Cette usure est normale, mais peut être accentuée par des mauvaises conditions d'utilisation ou entretien de votre appareil. Ces pièces ne sont donc pas couvertes par la garantie. Les accessoires fournis avec l'appareil sont également exclus du champ de la garantie. Ils ne peuvent donc être ni échangés, ni remboursés. Toutefois, certains accessoires peuvent être directement achetés via notre site : <https://sav.hkoenig.com/>.

ENVIRONNEMENT

ATTENTION :



Vous ne devez pas vous débarrasser de cet appareil avec vos déchets ménagers. Un système de collecte sélective pour ce type de produit est mis en place par les communes, vous devez vous renseigner auprès de votre mairie afin d'en connaître les emplacements. En effet, les produits électriques et électroniques peuvent contenir des substances dangereuses qui ont des effets néfastes sur l'environnement ou la santé humaine et doivent être recyclés. Le symbole ci-contre indique que les équipements électriques et électroniques font l'objet d'une collecte sélective, il représente une poubelle sur roues barrée d'une croix.

DEUTSCH

Bitte lesen Sie sich die Bedienungsanleitung vor der Installation und dem Betrieb sorgfältig durch, und halten Sie sie für den späteren Gebrauch bereit.

EINLEITUNG

Dies ist ein Bierkühler für den Haushalt, er ist mit einem CO₂-Patronen-Drucksystem ausgestattet, um das Bier frisch zu halten. Es bringt das Bier auf die beste Temperatur für die Kühllagerung (0 bis 4°C) innerhalb von 19 bis 21 Stunden.

Der Bierkühler wird das 5L Fass für eine fast unbegrenzte Zeit kühl halten. Wir weisen jedoch darauf hin, dass Sie Ihr Bierfass zunächst für mindestens 12 Stunden im Kühlschranks kühlen sollten, bevor Sie es in den Bierkühler platzieren.

WICHTIGE SICHERHEITSHINWEISE

Wir haben für den Bierkühler viele wichtige Sicherheitshinweise in der Bedienungsanleitung zusammengestellt. Bitte lesen und befolgen Sie alle Sicherheitsregeln und Bedienungshinweise, vor dem Gebrauch; und bewahren Sie die Bedienungsanleitung an einem sicheren Ort für das spätere Nachschlagen auf.

Sicherheitshinweise

- Bevor Sie es verwenden, prüfen Sie, ob das Netzkabel gut angeschlossen ist oder nicht; wenn nicht, verwenden Sie es bitte nicht, und rufen Sie das Service-Center an;
- Wenn das Netzkabel beschädigt ist, muss es durch den Hersteller oder seinen Kundendienst oder eine ähnlich qualifizierte Person ersetzt werden, um eine Gefahr zu vermeiden.

- Überprüfen Sie vor dem Gebrauch, ob die Stromspannung von dem Stecker und der Steckdose übereinstimmen; wenn nicht, benutzen Sie es bitte nicht und rufen das Service Center an;
- Den Netzstecker nicht mit nassen Händen anschließen oder trennen.
- Stellen Sie den Bierkühler auf eine trockene und horizontale Fläche.
- Um eine ausreichende Belüftung für den Bierkühler zu gewährleisten, stellen Sie sicher, dass der Bierkühler auf beiden Seiten mindestens 5 Zoll / 10 cm Platz hat, um dem Gerät eine korrekte Belüftung zu ermöglichen.
- Setzen Sie den Bierkühler niemals direkter Sonneneinstrahlung aus.
- Decken Sie den Bierkühler nie ab, wenn es bei einem anderen Objekt arbeitet.
- Der Bierkühler muss in einem Bereich installiert werden, wo er vor Wind,

Regen, Spritzwasser oder Tropfen geschützt wird.

- Bevor Sie mit Reinigungs- und Wartungsarbeiten beginnen stellen Sie sicher, dass die Stromleitung der Einheit getrennt ist. Geschieht dies nicht, kann es zu einem elektrischen Schlag oder zum Tod führen.
- Geben Sie den Bierkühler oder den Netzstecker nie in Wasser oder andere Flüssigkeiten.
- Verwenden Sie keine groben Tücher, groben Material, um den Bierkühler zu reinigen.
- Nehmen Sie das Bierfass nicht aus dem Kühler, wenn das Bier nicht komplett ausgetrunken wurde.
- Entnehmen Sie nicht die CO₂-Patrone, bevor das Innere CO₂ nicht komplett verwendet wurde.
- Verwenden Sie die CO₂ Patrone nicht, wenn die Raumtemperatur über 49°C /

120F ist. Geschieht dies nicht, kann es zu einer Explosion oder zum Tod führen.

- Erlauben Sie Kindern niemals mit dem Bierkühler zu spielen, es zu bedienen oder herein zu kriechen.
- Dieses Gerät kann von Personen mit eingeschränkten physischen, sensorischen oder geistigen Fähigkeiten oder Mangel an Erfahrung und Wissen benutzt werden, sofern sie beaufsichtigt oder angewiesen wurden, das Gerät sicher zu benutzen und die damit verbundenen Gefahren zu verstehen. Kinder sollten nicht mit dem Gerät spielen.
- Das Gerät ist nicht dafür vorgesehen, über eine externe Zeitschaltuhr oder über ein separates Fernbedienungssystem in Betrieb genommen zu werden.
- Wenn das Netzkabel beschädigt ist, muss der Kundendienst kontaktiert

werden und das Kabel muss ersetzt werden, um Gefahren zu vermeiden.

- Das Gerät darf nicht benutzt werden, wenn es fallen gelassen wurde, wenn auffällige Zeichen von Beschädigungen sichtbar sind oder wenn es undicht ist
- Dieses Gerät darf von Kindern ab 8 Jahren benutzt werden, sofern diese beaufsichtigt werden oder eine Einweisung in den sicheren Gebrauch des Geräts erhalten haben und die damit verbundenen Gefahren verstehen.
- Kinder dürfen das Gerät nur reinigen oder pflegen, wenn sie mindestens 8 Jahre alt sind und von einem Erwachsenen beaufsichtigt werden.
- Bewahren Sie das Gerät und das zugehörige Netzkabel außerhalb der Reichweite von Kindern unter 8 Jahren auf.
- Bei der Verwendung elektrischer Geräte sind stets Sicherheitsvorkehrungen zu treffen, um

bei unsachgemäßer Verwendung die Gefahr von Bränden, elektrischen Schlägen und/oder Verletzungen zu vermeiden.

- Achten Sie darauf, dass die auf dem Typenschild angegebene Nennspannung mit Ihrer Netzspannung übereinstimmt Ihrer Installation. Wenn dies nicht der Fall ist, wenden Sie sich an den Händler und schließen Sie das Gerät nicht an.

- Lassen Sie das Gerät während des Betriebs niemals unbeaufsichtigt.

- Bitte halten Sie dieses Dokument bereit und geben Sie es im Falle einer Übertragung Ihres Gerätes an den zukünftigen Besitzer weiter.

- Ihr Gerät ist nur für den Hausgebrauch bestimmt. Es ist nicht für die Verwendung in den folgenden Situationen vorgesehen, die nicht von der Garantie abgedeckt sind:

- in Personalküchen in Geschäften,

Büros und anderen professionellen Umgebungen,
- in Landgasthöfen,
- von Gästen in Hotels, Motels und anderen Wohnumgebungen,
- in Bed-and-Breakfast-Umgebungen.

WIE MAN EINEN BIERKÜHLER WÄHLT

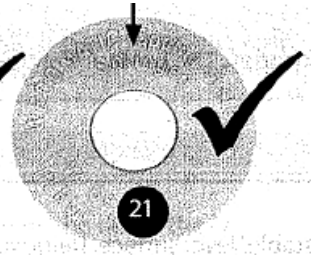
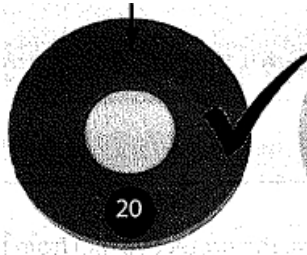
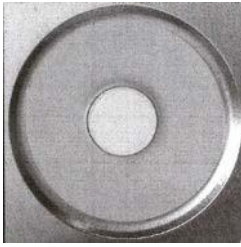
- Nur verschlossene 5L universal Bierfässer und Heineken Fässer verwenden
- Achten Sie gut auf die Sicherheit- und Lagerungsanweisungen über das Fass / auf dem Fass.
- Überprüfen Sie vor dem Kauf, dass das Fass weder beschädigt noch das Bier abgelaufen ist.
- Schützen Sie die Oberfläche vor Schäden. Sonst kann es zu Schwierigkeiten mit dem Anbringen vom Absaugschlauch geben.
- Halten Sie das Fass für 12 Stunden an einem gekühlten, aber nicht zu kalten Ort (z.B. Kühlschrank) bis zum nächsten Einsatz.
- Schütteln Sie das Bierfass nie bevor Sie es verwenden.
- Stellen Sie das Bierfass nie ins direkte Sonnenlicht.



BIERFASS ABDICHTUNG

Alle 5 Liter Bierfässer mit den unten abgebildeten verschiedenen Abdichtungen, können mit dem Bierkühler verwendet werden, Sie sollten sich jedoch die folgenden Informationen durchlesen

* Die Dichtungen mit dem Code Nr. 20 und 21 können einfach mit dem Kühlbolzen durchstochen werden.



*Bei den Dichtungen mit dem Code Nr. 22 muss der Markierungsring von der Dichtung abgenommen werden und das Bierfass von dem Kühlbolzen durchstochen werden.
(Siehe Abbildung 1)



* Der Unterschied zwischen Code Nr. 23 und 24 ist die Menge der Sicherheitsverschlüsse. Ziehen Sie vorsichtig an dem Sicherheitsverschluss, drehen Sie ihn und ziehen Sie es vom Fass; ersetzen Sie es mit der Dichtung (wie der Code Nr. 2) sofern sie in dem Bierkühler ist, setzen Sie es in das Bierfass und durchstechen Sie es mit dem Kühlbolzen. (Siehe Abbildung 3).

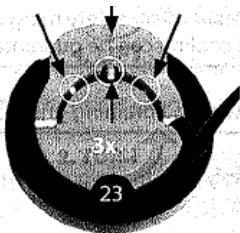


Abb. 1

Wichtig: Bevor Sie die Dichtung ersetzen oder es durchstechen müssen Sie immer die Anleitungen auf dem Bierfass befolgen, um ausströmendes Gas auszuschalten und stellen Sie sicher, dass das Bierfass lange genug ruhig stand, um zu vermeiden, dass Schaum aus der durchstochenen Dichtung/ dem Hahn strömt.

Und es ist nicht erforderlich, das Gas freizusetzen und das Dichtungsgummi zu ersetzen, wenn man ein Heineken Bierfass verwendet, da Heineken Fässer seinen eigenen CO₂-Druck im Inneren aufweisen und keine Notwendigkeit von äußeren CO₂ Drucksystemen zur Verfügung gestellt werden müssen.

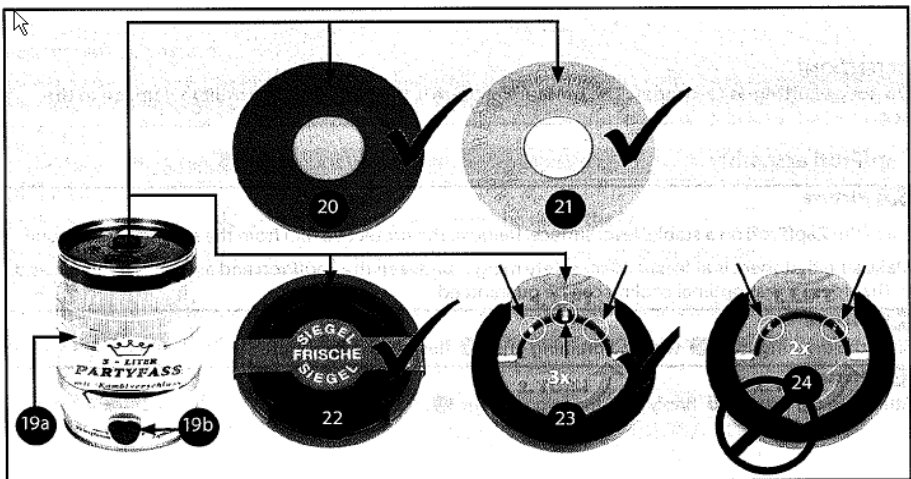


Abbildung 2



Abbildung 3

TECHNISCHE DATEN

Artikel	Beschreibung	Spezifikation
1	Stromspannung	AC 220-240V/50Hz
2	Verfügbare Kapazität	5 Liter Bierfass
3	Bemessungsbetriebsleistung	65W
4	Kühlleistung	2~12°C einstellbar (Raumtemperatur 22~24°C)
5	Geräuschpegel	≤38dB(A); (Umgebungsrauschen ≤25dB(A))
6	Maße	W272*D480*H470mm
7	Nettogewicht	6.4±0.3Kg
8	CO2-Druck aus Einheit	√
9	Edelstahl-Optik	√
10	Aluminium-Heizkörper-System	√
11	Halbleiter-Kühltechnik	√
12	Wasserleitungskühlsystem	√
13	LED-Anzeigefunktion	√
14	Manuelle Entwässerung	√
15	Abnehmbarer Wasserauffangschale	√
16	Temperatur verstellbar	√
17	Kühl- Konservierungssystem	PU-Isolierung / Gewicht 310±5g

TEILE & FUNKTIONEN

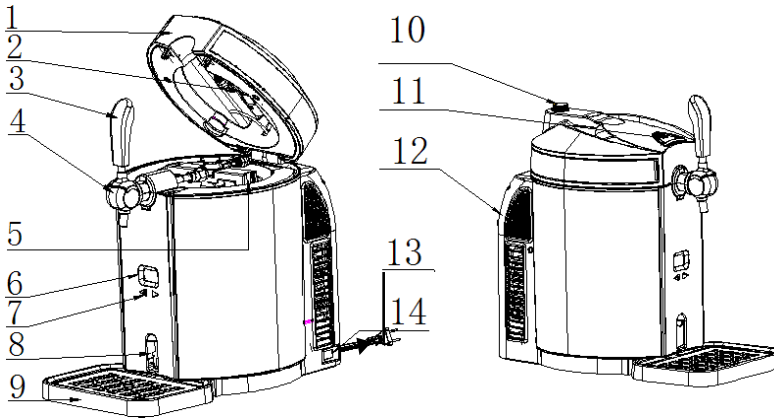


Abbildung 4

Abbildung 5

- | | |
|-------------------------|---|
| 1. Deckel | 8. Abflussschalter |
| 2. CO2 Patronenhülle | 9. Auffangschale |
| 3. Zapfhahn Griff | 10. CO2-Druckbegrenzungsventil / Regler |
| 4. Zapfhahn | 11. Türschloss Taste |
| 5. Bierfassheber | 12. Hintere Abdeckung |
| 6. LED Anzeige | 13. Netzkabel und Stecker |
| 7. Digitale Steuertaste | 14. Netzschalter |

INSTALLATION & BETRIEB

A. INSTALLATION

1. Nehmen Sie den Bierkühler aus der Verpackung. Stellen Sie den Bierkühler auf eine stabile und horizontale Fläche, und stellen Sie sicher, dass der Bierkühler auf jeder Seite mindestens 5 Zoll / 10 cm entfernt von anderen Geräten oder der Wand steht, um eine korrekte Belüftung zu ermöglichen, und dadurch eine bessere Leistung zu erzielen.

2. Installieren Sie den Griff, um ihn mit dem Zapfhahn zu verbinden,

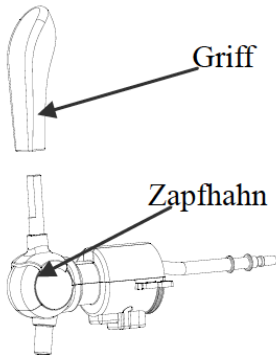


Abbildung 6

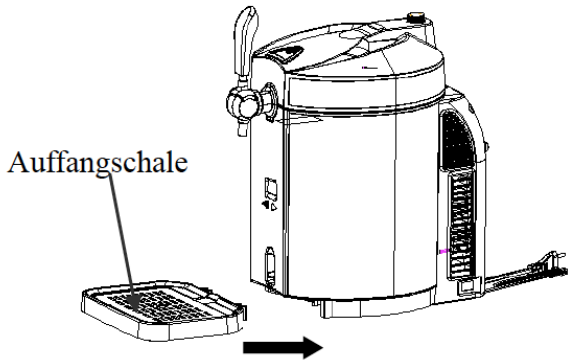


Abbildung 7

stellen Sie sicher, dass beide Enden perfekt zusammenpassen. (Siehe Abbildung 6)

3. Stellen Sie die Auffangschale in die Kerbe. (Siehe Abbildung 7)

4. Stecken Sie den Stecker des Bierkühlers in die Steckdose. Hinweis: Schließen Sie den Netzstecker nicht an oder ziehen daran, wenn Ihre Hände nass sind. Bevor Sie ihn verwenden, stellen Sie sicher, dass die Spannung übereinstimmt mit der Stecker Marke, und prüfen Sie, ob das Netzkabel gut angeschlossen ist oder nicht; wenn nicht, verwenden Sie es bitte nicht, und rufen Sie das Service-Center an; Geben Sie 800 ml Wasser in den Kühlhohlraum oder

gießen Sie das Wasser bis zu der Markierung Max (Siehe Abbildung 9) (Es kann ohne Wasser arbeiten, jedoch wird so nicht die beste Leistung erzielt werden)

Hinweis: Stellen Sie sicher, dass der Ablaufschalter auf der Position "Aus" steht, und ohne zusätzliche Objekte in dem Kühlhohlraum.

B. BETRIEB

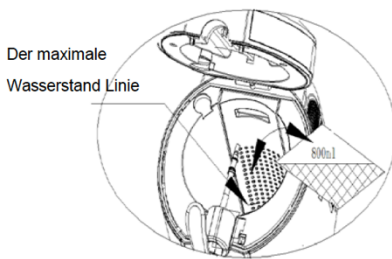


Abbildung 9

Stellen Sie sicher, dass der Ablaufschalter auf der Position "Aus" steht

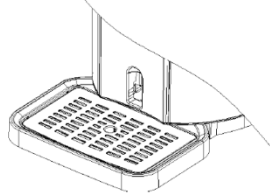


Abbildung 10

Universal 5L Bierfass

1. Vor dem Anstechen auf der Oberseite des Fasses, sollten Sie immer den Anweisungen folgen, wie sie auf dem Fass markiert sind, um das überschüssige Gas zu beseitigen und sicherzustellen, dass das Fass lange genug geruht hat, um zu verhindern, dass Schaum durch den Zapfhahn kommt.

2. Den Bolzen aufrecht gegen die Dichtung an der oberen Mitte des Fasses drücken (vielleicht müssen Sie den Markierungsring abreißen oder ein geeignetes Dichtungsmittel wählen), drücken Sie den Durchsteckbolzen / Fass Heber um ihn in die Dichtung zu stecken und dann den Bolzen schnell in das Fass eintauchen. Um den Hahn Mechanismus zu montieren, drücken Sie bis ein "Ka" Ton zu hören ist, dies zeigt das der Hahnmechanismus auf dem Bierfass fixiert ist. (Siehe Abbildung 10)

3. Öffnen Sie den Bierkühler mit 60-80N Stärke und stellen Sie das gut zusammengebaute Fass in den Kühlhohlraum; Schließen Sie das CO₂-Verbindungsrohr und das Bier Auslassrohr mit dem Bierfass-Heber Rohrverbinder.

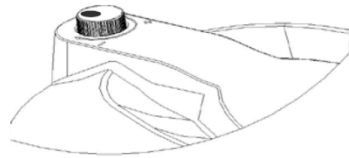
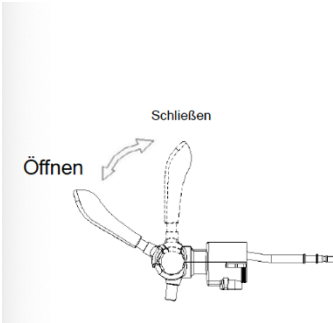


Abbildung 14

HINWEISE: Stellen Sie sicher, dass alle Verbindungsleitungsmechanismen gut verbunden und ohne Schäden sind. Und stellen Sie sicher, dass das Zapfventil auf einen engen Status eingestellt, und der CO₂-Druckregelknopf in dem "Off" Status ist.

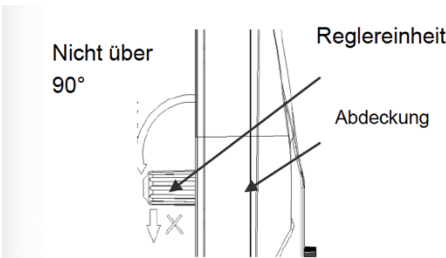


Abbildung 15

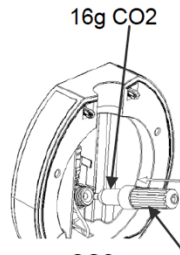


Abbildung 16

4.

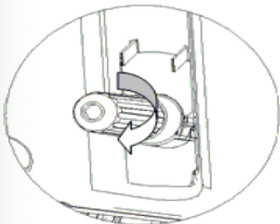


Abbildung 17

Beachten Sie:

- *Schalten Sie den CO₂ Knopf aus, wenn Sie das Bier kühlen
- *Schalten Sie den CO₂ Knopf aus, wenn der Bierfluss pausiert
- *Schalten Sie den CO₂ Knopf aus, wenn Sie die CO₂ Patrone wechseln
- * Wenn Sie kein Bier mehr zapfen können (obwohl noch Bier im Fass ist) oder sich nicht genügend Schaum bildet, drehen Sie den Knopf für 5 Sekunden auf die Position "+", dann stellen Sie es wieder aus

Abbildung 18

Lösen Sie die CO₂-

Mantelflasche (Siehe Abbildung 15), legen Sie eine 16 Gramm CO₂-Patrone in der Hülle (Abbildung 16), und schrauben Sie den Mantel fest, bis Sie ein "Klick" (Abbildung 17) hören, dies zeigt, dass die Patronendichtung durchstoßen wurde und das CO₂-Gas frei in das Bierfass fließen kann. Stellen Sie sicher, dass die Mantelflasche fest fixiert ist, um CO₂-Leckage zu vermeiden. Dann legen Sie die CO₂ Mantelflasche in die obere Abdeckung.

Schließen Sie die obere Abdeckung des Bierkühlers; Wenn Sie das Bier ausgießen, drehen Sie den Knopf an der oberen Abdeckung auf Position "+" um CO₂ freizusetzen, und schalten Sie ihn auf "-" Position, wenn Sie eine Pause machen oder mit dem Bier zapfen stoppen, um das CO₂ zu schließen. Bitte beachten Sie die Hinweisschild an der oberen Abdeckung..

Schalten Sie den Netzschalter auf die "I" Position um den Bierkühler anzustellen. (Die Position "0" ist zum Ausschalten).

HINWEISE: Bitte stellen Sie sicher, dass Ihre Hände trocken sind, wenn Sie mit dem Bierkühler arbeiten, um einen Stromschlag zu vermeiden.

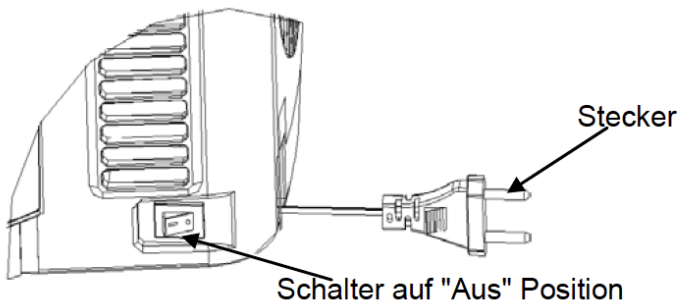


Abbildung 19

7. Es wird 19 bis 21 Stunden dauern, um das Bier auf 2-4°C bei 22-24°C Umgebungstemperatur abkühlen zu lassen. Die Temperatur, die eingestellt wurde, kann gehalten werden und wird auf der LED angezeigt. Wir weisen jedoch darauf hin, dass Sie Ihr Bierfass zunächst für mindestens 12 Stunden im Kühlschrank abkühlen lassen sollten, bevor Sie es in den Bierkühler platzieren, vor allem, wenn die Umgebungstemperatur höher als 25°C ist.

8. Sie können die Temperatur, die zu Ihrem Geschmack passt, einstellen, indem Sie die Tasten auf der Frontplatte drücken. Die Temperatur kann von 36°F bis 54°F (2°C bis 12°C) eingestellt werden, mit der Einstellung der Temperatur-Taste (+ und -), diese befindet sich neben der Temperaturanzeige.

Das PCB hat eine Erinnerungsfunktion, wenn Sie den Kühler einstellen, erinnert es sich an die Temperatur vom letzten Mal und stellt diese ein.

Die LED-Anzeige wird die reale Temperatur vom Bier anzeigen. Sie können die eingestellte Temperatur sehen, indem Sie die "+" Taste 1 Sekunde gedrückt halten, die eingestellte Temperatur wird angezeigt und springt 3 Sekunden später zurück, sodass die reale Temperatur des Biers wieder angezeigt wird.

Voreingestellte Temperatur

Der Bierkühler hat 6 voreingestellte Temperaturen.

Drücken und halten Sie die Taste "-", es werden die sechs voreingestellten Temperaturen eingegeben, dann können Sie die Taste "-" drücken, um eine bestimmte voreingestellte Temperatur zu wählen, 40°F (4°C), 46°F (8°C), 48°F (9°C) 50°F (10°C), 52°F (11°C) und 54°F (12°C).

Drücken und halten Sie Taste "+", das Gerät kann so zwischen Fahrenheit und Celsius wechseln.

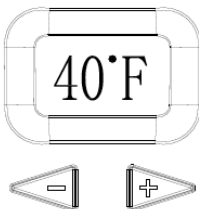


Abbildung 20

9. Stellen Sie den CO₂-Druckregelknopf auf die Position "+", um das Bier auszugießen, indem der Hahn Mechanismus um 45 ° nach unten gedrückt wird, außerdem können Sie den Druckregler so einstellen das Sie die Bier -Flussrate und Bier Blase kontrollieren können; (Abbildung 13)
Hinweis: Reinigen Sie das Glas bevor Sie Bier eingießen; wenn das

Bierglas oder der Bierbecher eine hohe Temperatur hat oder das Bier nicht kühl genug ist, gibt es viel Schaum beim Ausgießen vom Bier;

10. Wenn Sie das Bier zapfen, lehnen Sie Ihr Bierglas gegen den Ausgießer und richten Sie es langsam auf, wenn das Bier steigt, dann den Hahn vollständig öffnen, um zu viel Schaum zu vermeiden; Es ist ratsam nach einem halben Glas eine kurze Pause zu machen, bevor Sie das restliche Glas vollgießen.

HINWEISE: Niemals den Ausgießer in das Bierglas tauchen, um viel Schaum zu vermeiden; Denken Sie daran, den Hahn zu sperren, nachdem Sie das zapfen beendet haben.

11. Es ist normal, mehr Schaum zu haben, wenn Sie die ersten 3 Gläser Bier zapfen.

12. Es wird einen scharfen und High-Speed-Strahl geben, wenn das letzte Glas Bier vom Fass gezapft wird.

Bitte stellen Sie die CO₂-Druckregelknopf auf die "-" Position, um die CO₂-Versorgung zu beenden und das CO₂ zu speichern.

A. Heineken Bierfass

Heineken Bierfässer sind mit CO₂ vorgeladen, und erfordern keine Verwendung von Reglern, und es gibt keine Notwendigkeit, die CO₂-Patrone zu installieren. Und der Knopf an der oberen Abdeckung funktioniert nicht.

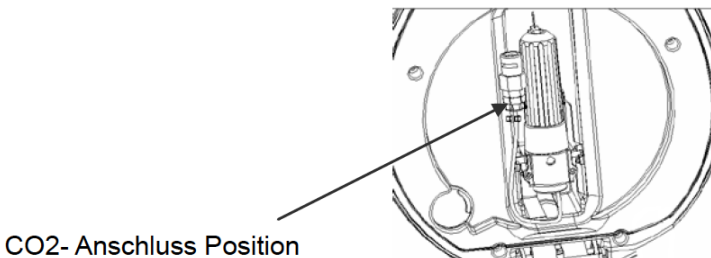
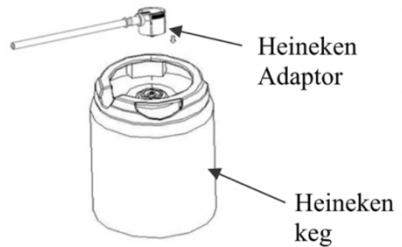
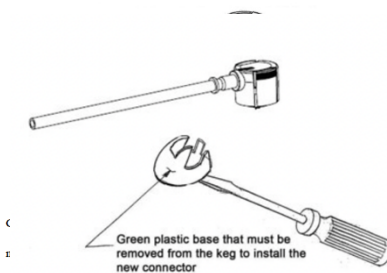


Abbildung 21

1. Der Heineken-Anschluss, der mit Ihrem Bierkühler kommt, kann mit allen Heineken 5 Liter Fässchen arbeiten. Allerdings müssen Sie einen flachen Schraubendreher verwenden, um die grüne Basis aus dem Fass zu entfernen, um den neuen Verbindungsstecker zu installieren, der dem Bierkühler zur Verfügung gestellt ist

2. Wenn Sie den neuen Anschluss an das Heineken Fass installieren, müssen Sie zunächst das freie Bierrohr mit dem Ende des Steckers und dem Ende des Hahn-Mechanismus verbinden, installieren Sie dann den Anschluss an das Heineken Fass.



Hinweis: Bitte nehmen Sie den Heineken-Adapter mit Verbindungsmöglichkeit, drücken sie dementsprechenden Pfeil, oder es wird das Befestigungselement beschädigen.

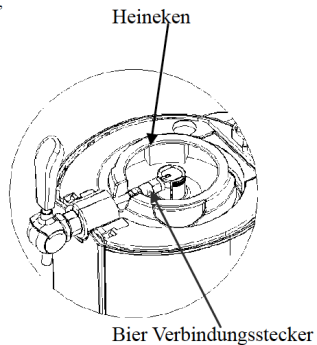
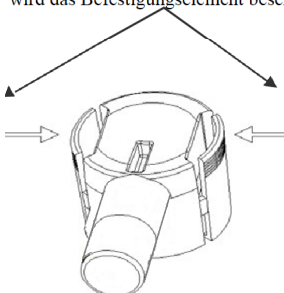


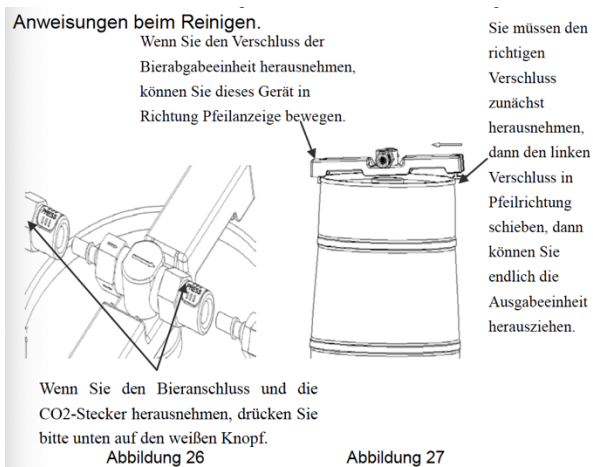
Abbildung 25

3. Schließen Sie die obere Abdeckung; gehen Sie wie im oben gezeigten Schritt 6-12 vor, wie das universelle 5-Liter-Fassangeschlossen wird. Allerdings ist Schritt 9 eine Ausnahme.

B. EIN NEUES BIERFASS EINSETZEN (5 Liter universal Bierfass)

Wenn das Bier im Fass leer ist, bevor Sie ein neues Bierfass reintun.

1. Stellen Sie den CO₂-Druckregelknopf auf "-" schalten Sie die CO₂-Versorgung aus, sodass das CO₂ gespeichert wird.
2. Öffnen Sie die obere Abdeckung des Bierkühlers, öffnen Sie den Zapfhahn, um das Restgas aus dem Fass zu lösen (vielleicht mit etwas Bierschaum).
3. Dann geben Sie den Bolzen in das neue Fass und in den Bierkühler. Schließen Sie das Gasrohr an den Bierschlauch von dem Fassheber, indem Sie die weißen Teile des Fasshebers drücken.
4. Trennen Sie das Gasrohr und den Bierschlauch von dem Fassheber.
5. Heben Sie das Fass an dem Fassheber heraus, und ziehen Sie den Bolzen aus dem Fass.
6. Es wird empfohlen, den Hahn Mechanismus jedes Mal, wenn Sie ein Fass ersetzen, zu reinigen. Bitte beachten Sie die folgenden



C. EINE NEUE CO2 PATRONE EINSETZEN (Keine Notwendigkeit für Heineken Fässer)

Bitte wechseln Sie die CO2-Patrone, wenn kein Bier mehr herauskommt, wenn der CO2-Druck-Regler auf der "on" Position steht und noch Bier im Fass ist.

1. Wenn Sie den CO2-Druck-Regler auf die "-" Position drehen, stoppen Sie die CO2 Zuführung.
2. Öffnen Sie die obere Abdeckung, lösen Sie den Patronenmantel, und nehmen Sie die leere CO2-Patrone heraus.

Legen Sie eine neue 16g CO2-Patrone in die Hülle, und schrauben Sie den Mantel fest, bis Sie ein "Klick" hören, was darauf hindeutet, dass die Patronendichtung durchstoßen worden ist und das CO2-Gas frei in das Fass fließt. Stellen Sie sicher, dass die Mantelflasche fest fixiert ist, um die CO2-Leckage zu vermeiden. Dann legen Sie die CO2 Mantelflasche in den oberen Deckel.

3. Schließen Sie den oberen Deckel des Bierkühlers;

4. Drehen Sie den CO2-Druck-Regler auf die "+" Position, um die CO2-Versorgung zu starten, nun ist es bereit zum Bier zapfen.

Zur Erinnerung: jede 16g CO2-Patrone kann für mehr als 5 l Bier Druck ausüben.

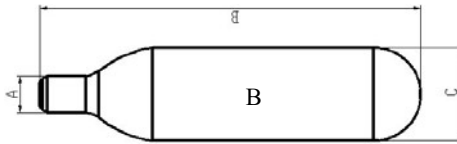
Warnung:

1. Bitte verwenden Sie die qualifizierte CO2-Patrone.

Die hierunter stehenden CO2-Patrone Informationen sind für Ihre Referenz. Verwenden Sie niemals eine Stickstoffgaskartusche im Bierkühler, um, wegen seinem viel zu hohen Druck, eine Explosion zu vermeiden;

2. Eine neue CO2-Patrone braucht eine gute Reserve, jedes Spiel damit ist verboten, oder wird zu Gefahren führen.

10g CO2 Patrone



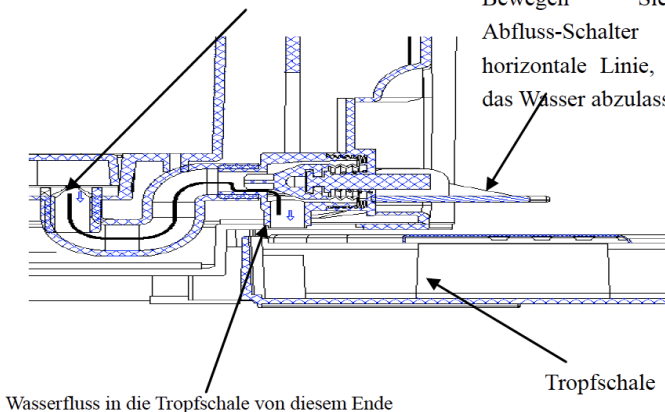
NW g	Volumen ml	GW g	Patrone Gewicht g	A mm	B mm	C mm	D mm	Druck Kgf/cm ²	Strahl- druck Bar
15.5 16.5	20	57.0 58.6	42.0 42.6	Ø8.6 Ø8.9	88.0 89.0	Ø21.7 Ø22.0	10 1 1	60	450

D. WASSER IM HOHLRAUM ERSETZEN

Es wird empfohlen, das Wasser im Inneren des Kühlraumes einmal pro Woche zu ersetzen. (Es besteht keine Notwendigkeit, das Wasser für jedes Bierfass zu ersetzen, einmal pro Woche wird empfohlen)

Öffnen Sie den Abfluss-Schalter, der Wasserfluss geht durch das S-förmige Abflussrohr von diesem Ende

Bewegen Sie den Abfluss-Schalter auf horizontale Linie, es beginnt das Wasser abzulassen.



Bildung

28(Lageskizze der Abflusskonstruktion)

1. Öffnen Sie den Abfluss-Schalter, um das Wasser aus dem Hohlraum in die Tropfschale abfließen zu lassen. Stellen Sie sicher, dass die Tropfschale genau in die Kerbe passt, um eine Wasserflut auf den Tisch zu vermeiden; die Tropfschale kann 450ml Wasser fassen.

2. Nachdem Sie das gesamte Wasser abgelassen haben, schließen Sie den Abfluss-Schalter und gießen 800ml Süßwasser in den Hohlraum.

3. Öffnen Sie den Abfluss-Schalter (ziehen Sie den Schalter nach vorne bis in einen 90 Grad-Winkel), und lassen Sie das Wasser im Inneren des Hohlraums aus dem Fach tropfen, lassen Sie das Wasser zweimal ablaufen.

Warnung: 1) Sauberes Wasser ist notwendig;

2) Achten Sie darauf, dass die Tropfschale genau in die Kerbe passt, um eine Wasserflut auf dem Tisch zu vermeiden;

3) In die Tropfschale passen 400-500 ml Wasser;

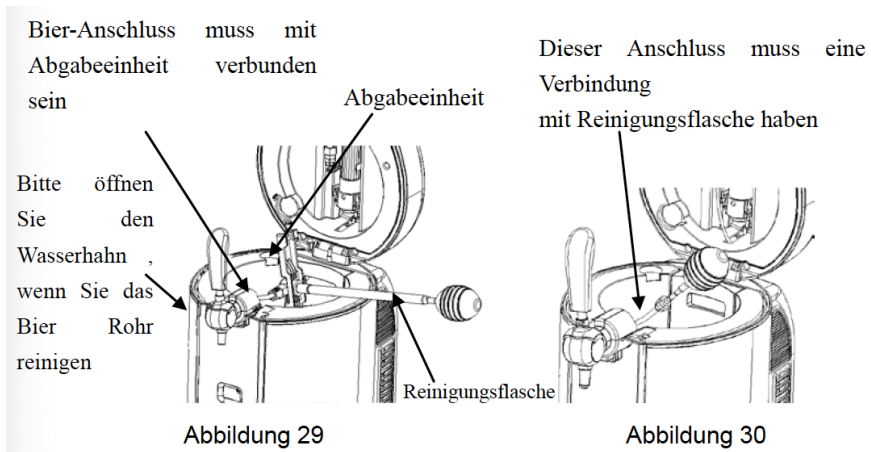
REINIGUNG DES ZAPFHAHN MECHANISMUS

Der Bierkühler bedarf einer entsprechenden hygienischen Anpassung, es muss vor dem ersten Gebrauch oder für eine Langzeit Verwendung sauber sein, reinigen Sie die gesamte Maschine mit einem trockenen Tuch. Ansonsten werden zwei Reinigungsweise wie folgt empfohlen:

1. Geben Sie warmes Wasser in die zu reinigenden Teile.

2. Schließen Sie es an das Ende des Bolzens, drücken Sie das Wasser in den Stift, um das Rohr zu reinigen und drücken Sie das Wasser wieder am anderen Ende aus dem Bierrohr heraus. Wiederholen Sie diese Reinigungsarbeiten, bis das Bierrohr sauber ist (Notwendigkeit mindestens 3 Flaschen warmes Wasser)

Bitte reinigen Sie den Bierzapfmechanismus wie in Abbildung 30 abgebildet. Hinweis: Bitte zerlegen Sie den Hahn, wenn Sie ihn reinigen. (Siehe Abbildung 29)



Warnung:

Geben Sie den Bierzapfmechanismus oder Teile davon niemals in die Waschmaschine oder in den Geschirrspüler;
Benutzen Sie niemals chemische Reinigungsmittel, um die Teile zu reinigen, warm oder gereinigtes Wasser wird empfohlen.

WECHSELN VON ERSATZTEILEN

ZUBEHÖR ENTHALTEN IN DEM BIERKÜHLER

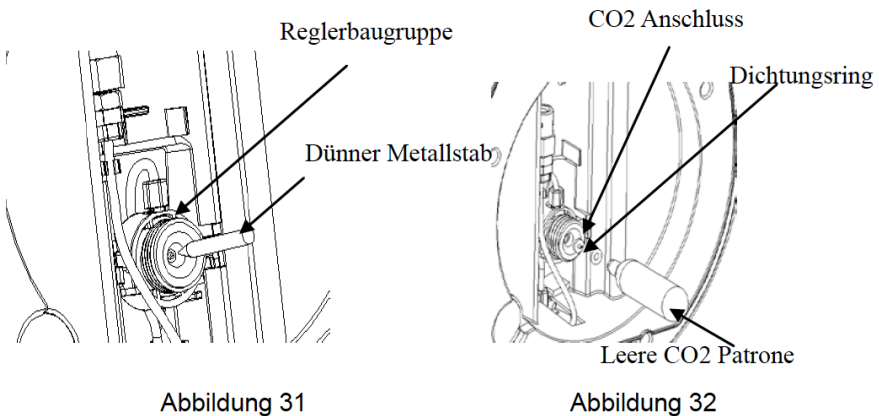
Nummer	Name	Anz	Teillieferung	Bild	Ersatzteile
1	Verbindungsstecker	3	Regelventil		2 St.
2	CO2 Verbinder	2	Regelventil		1St.
3	Bierschlauch	2	Bierausguss Verbinder		2St.
4	Rohrdichtungsring	4	Biereinguss Schlauch		3 St.
5	Fassdichtung	2	Standard Schlauch		2 St.
6	Heineken adaptor	3	Heineken Schlauch		3 St.
7	CO2 Patrone	3	Regelventilordnung		3 St.
8	Reinigungspumpe	1			1St.

A. Ersetzen des CO2- Anschlusses und der Dichtungsscheibe

Der CO2-Anschluss und die Dichtscheibe werden vielleicht beschädigt, wenn Sie falsch benutzt werden oder aus anderen Gründen, bitte setzen Sie einen neuen ein.

1. Als erstes entnehmen Sie die Dichtscheibe mit einem kleinen Metallstab (Siehe Abbildung 31), entnehmen Sie auch den CO2-Anschluss (wenn Sie nur die Dichtscheibe ersetzen, kann dieser Schritt übersprungen werden). Achten Sie darauf, die anderen Teile des Reglers nicht zu beschädigen.

2. Installieren Sie den neuen CO2-Anschluss in den Regler (legen Sie das scharfe Ende nach außen), und installieren Sie die Dichtscheibe (Siehe Abbildung 32). Entfernen Sie keine anderen Teile des Reglers während des Austauschprozesses



Warnung: Denken Sie daran, auf den Dichtungsring mit der Leeren Patrone anstatt der neuen Patrone zu drücken, ansonsten besteht ein Risiko.

B. DEN BIERSCHLAUCH WECHSELN (siehe Abbildung 33)

Bitte ersetzen Sie den Bierschlauch, wenn er beschädigt ist und es dadurch zum Auslaufen des Bieres kommt.

1. Drücken Sie die Verriegelung des Bierschlauches nach unten, und ziehen Sie dann den Schlauch heraus.
2. Schrauben Sie die Gelenkmutter des Bierschlauches ab und ziehen Sie den Schlauch heraus.
3. Setzen Sie einen neuen Bierschlauch ein und installieren Sie den Bierschlauch mit umgekehrtem Vorgang.

HINWEISE: Bewegen Sie keine anderen Schrauben, wenn Sie das Rohr ersetzen, sonst kann es ein Auslaufen von Bier oder ein Gasleck verursachen.

- 1) Drehen Sie den Hahn auf den Stand der Freigabe, öffnen Sie dann die Abdeckung, um den Silikonschlauch herauszunehmen.
- 2) Setzen Sie ein neuen Bier-Silikonschlauch ein und installieren Sie es mit dem umgekehrten Vorgang.

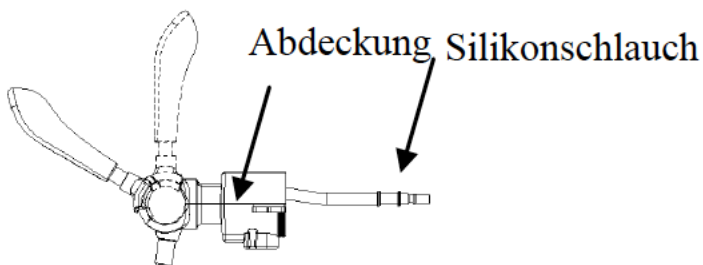


Abbildung 33

C. DEN DICHTUNGSRING VOM BIERSCHLAUCH ERSETZEN (Siehe Abbildung 34)

Ersetzen Sie den neuen Dichtungsring vom Bierschlauch, wenn der Stecker beschädigt ist.

1. Drehen Sie den Bierschlauch heraus wie in der Abbildung unten gezeigt wird
2. Entnehmen Sie den Dichtungsring vom Bierschlauch
3. Setzen Sie einen neuen Dichtungsring auf die gleiche Stelle
4. Drehen Sie den Dichtungsring fest, um jegliches Auslaufen zu vermeiden

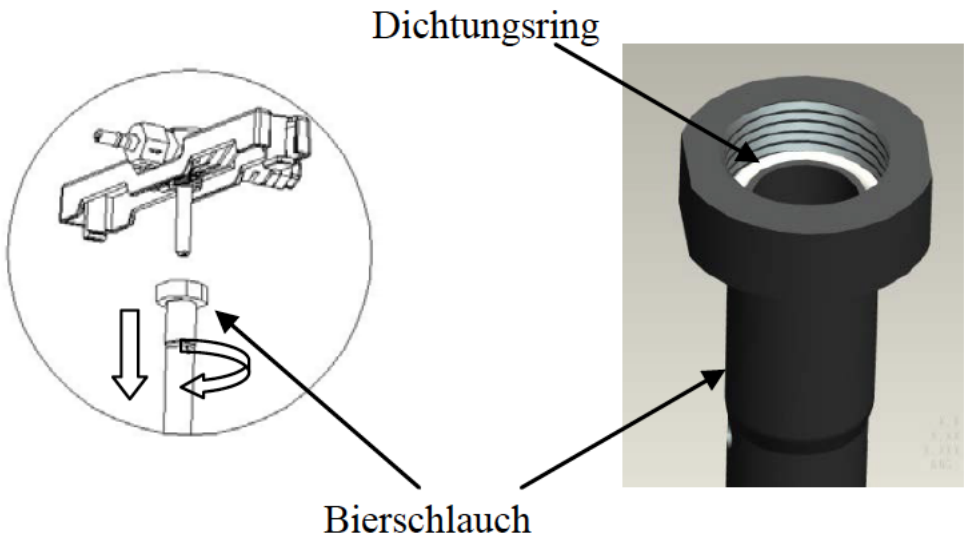


Abbildung 34

WARTUNG

Wenn der Bierkühler nicht richtig funktioniert, wenden Sie sich bitte an den Kundendienst;

Um Zeit und Geld zu sparen, überprüfen Sie, bevor Sie den Kundendienst anrufen, die Fehlerbehebung. Es listet Ursachen für kleinere Betriebsprobleme, die Sie selbst beheben können.

Fehlerbehebung

Störung	Ursache	Fehlerbehebung
Der Zapfhahn funktioniert nicht / kann kein Bier ausgießen	<ol style="list-style-type: none">1. Das Gießrohr hat eine schlechte Verbindung oder CO2 Versorgung ist abgeschnitten2. Kein Fass oder kein Bier im Fass;3. Kein Gas in der CO2-Patrone4. Der CO2-Druckregelknopf ist geschlossen	<ol style="list-style-type: none">1. Verbinden Sie das Gießrohr gut und überprüfen die CO2-Versorgung2. Wechseln Sie das Fass3. Wechseln Sie die CO2-Patrone4. Schalten Sie den CO2-Druckregelknopf auf die "+" Position
Zu viel Schaum beim Ausgießen	<ol style="list-style-type: none">1. Sie verwenden einen falschen Weg, um Bier auszugießen2. Die Biertemperatur ist zu hoch (besser bei 3-5°C)3. Das Fass wurde vor dem Gebrauch geschüttelt4. Fast kein Bier im Fass5. Zu viel Druck im Fass	<ol style="list-style-type: none">1. Verwenden Sie den richtigen Weg Bier auszugießen2. Kühlen Sie das Bier auf 3-5°C3. Legen Sie das Bierfass eine Weile beiseite, bis keine Blasen mehr drinnen sind4. Wechseln Sie das Fass5. Stellen Sie den Druckknopf auf "-", um den Druck zu verringern oder schließen Sie den Knopf

<p>Bier fließt zu langsam</p>	<p>1. Der innere CO2-Druck ist nicht hoch genug 2. Das Verbindungsrohr zum Gießrohr hat eine Leckage</p>	<p>1. Passen Sie den Druckknopf an, um CO2 Druck abzulassen oder eine neue zu ersetzen. 2. Überprüfen Sie, ob es eine Rohrleckage gibt oder nicht, wenn ja, ersetzen Sie das Rohr</p>
-------------------------------	--	---

GARANTIE

Die Garantiezeit für unsere Produkte beträgt 2 Jahre, sofern keine anderen Bestimmungen gelten, ab dem Datum des ursprünglichen Kaufs oder ab dem Lieferdatum.

Bei Problemen oder Fragen können Sie sich an unsere Hilfeseiten, Tipps zur Fehlerbehebung, FAQs und Bedienungsanleitungen auf unserer Kundendienst-Website wenden: <https://sav.hkoenig.com>.

Wenn Sie den Referenznamen Ihres Geräts in die Suchleiste eingeben, erhalten Sie Zugang zu allen verfügbaren Online-Supports.

Wenn Sie immer noch keine Antwort auf Ihre Frage oder Ihr Problem finden, dann klicken Sie auf "Hat die Antwort Ihr Problem gelöst?". Sie können dieses Formular ausfüllen, um Ihre Anfrage zu bestätigen und Hilfe zu erhalten.

GARANTIEBEDINGUNGEN

Die Garantie deckt alle Defekte ab, die bei normalem, bestimmungsgemäßem Gebrauch und den in der Bedienungsanleitung enthaltenen Spezifikationen auftreten.

Diese Garantie gilt nicht für Probleme mit der Verpackung oder dem Transport während des Versands des Produkts durch den Eigentümer. Sie umfasst auch nicht den normalen Verschleiß des Produkts, die Wartung oder den Austausch von Verschleißteilen.

AUSSCHLUSS DER GARANTIE

- Zubehör und Verschleißteile (*).
- Die normale Wartung des Geräts.
- Alle Defekte, die durch unsachgemäßen Gebrauch (Stöße, Nichteinhaltung der empfohlenen Stromzufuhr, schlechte Nutzungsbedingungen usw.), unzureichende Wartung oder Zweckentfremdung des Geräts auftreten, sowie die Verwendung von ungeeignetem Zubehör.
- Schäden durch äußere Einflüsse: Brand, Wasserschäden, elektrische Überspannung usw.
- Alle Geräte, die von anderen als den befugten Personen (insbesondere dem Nutzer) auch nur teilweise auseinanderggebaut wurden.
- Produkte, deren Seriennummer fehlt, beschädigt oder unleserlich ist, sodass sie nicht identifiziert werden können.
- Produkte, die vermietet, vorgeführt oder ausgestellt werden.

(*) Einige Teile Ihres Geräts, die als Verschleißteile oder Verbrauchsmaterialien bezeichnet werden, verschleiben mit der Zeit und der Häufigkeit der Nutzung Ihres Geräts. Diese Abnutzung ist normal, kann aber durch falsche Nutzung oder Pflege Ihres Geräts noch verstärkt werden. Diese Teile sind daher nicht durch die Garantie abgedeckt.

Das mit dem Gerät gelieferte Zubehör ist ebenfalls von der Garantie ausgeschlossen. Sie können daher weder umgetauscht noch erstattet werden. Einige Zubehörteile können jedoch direkt über unsere Website <https://sav.hkoenig.com/> erworben werden.

UMWELT

ACHTUNG:



Werfen Sie nicht dieses Produkt, wie es mit anderen Haushaltsprodukten hat. Es gibt eine Mülltrennung von diesem Produkt in Gemeinden, Sie müssen Ihre lokalen Behörden über die Orte, wo man dieses Produkt zurückgeben können zu informieren.

In der Tat enthalten elektrische und elektronische Produkte gefährliche Stoffe, die schädliche Auswirkungen auf die Umwelt oder die menschliche Gesundheit haben und sollte recycelt werden. Das Symbol hier darauf hinweisen, dass elektrische oder elektronische Geräte sollten sorgfältig ausgewählt werden, ist ein fahrbarer Abfallbehälter mit einem Kreuz markiert.

Adeva SAS / H.Koenig Europe - 8 rue Marc Seguin, 77290 Mitry-Mory, France
www.hkoenig.com - <https://kundenservice.hkoenig.com> - Tél: +33 1 64 67 00 05

NEDERLANDS

Lees de handleiding zorgvuldig voor, voor installatie en voor gebruik. Bewaar deze handleiding voor toekomstig gebruik

INTRODUCTIE

Dit is een bierkoeler voor huishoudelijk gebruik, uitgerust met CO₂ druksysteem om het bier gekoeld te houden. Het houdt het bier op de beste temperatuur voor opslag binnen de eerste 19-21 uur (0-4°C)

De bierkoeler houdt een 5L fust koud gedurende een lange tijd. Echter wordt het aangeraden om de fust gedurende de eerste 12 uur in de koelkast te plaatsen alvorens het in de bierkoeler te plaatsen.

BELANGRIJKE VEILIGHEIDSINSTRUCTIES

Er staan veel belangrijke veiligheidsinstructies in deze handleiding. Voor het eerste gebruik dient u alle veiligheidsvoorschriften en gebruiksaanwijzingen door te lezen; bewaar de handleiding op een veilige plaats voor toekomstig gebruik.

Veiligheidsinstructies

- Alvorens gebruik, controleer of het netsnoer goed functioneert; zo niet, dan kunt u het apparaat niet gebruiken. Bel service center;
- Als het netsnoer beschadigd is, moet het worden vervangen door de fabrikant of zijn service agent of een gelijkwaardig gekwalificeerd persoon om gevaar te voorkomen.
- Alvorens gebruik, controleer of de stekker in overeenstemming is met het

stopcontact; zo niet, dan kunt u deze niet gebruiken. Bel het service center;

- Sluit de stekker niet aan wanneer uw handen nat zijn.
- Plaats de bierkoeler op een droge en horizontale ondergrond.
- Om een goede ventilatie voor de bierkoeler te garanderen, zorg ervoor dat de bierkoeler ten minste 5 inch / 10 cm aan beide zijden vrij staat, zodat de correcte ventilatie op het apparaat mogelijk te maken.
- Plaats nooit de bierkoeler onder de zon.
- Dek nooit de bierkoeler wanneer deze in werking is door een ander object.
- De bierkoeler moet in een gebied dat beschermd tegen de elementen, zoals wind, regen, water spray of druppels worden geïnstalleerd.
- Voordat met het schoonmaken en onderhoud operatie, zorg ervoor dat de macht lijn van het apparaat is losgekoppeld. Doet u dit niet kan leiden

tot een elektrische schok of de dood.

- Dompel het bierkoeler of de stekker in het water of een andere vloeistof.
- Gebruik geen ruwe doek, schurende spullen aan het bierkoeler te wassen
- Laat bierfust niet uit het bierkoeler als het bier niet volledig wordt gedronken uit.
- Laat de CO₂-patroon niet opstijgen voordat de binnenkant CO₂ te gebruiken buiten.
- Gebruik de CO₂-patroon als de kamer temperatuur hoger is dan 49 °C /120F.

Doet u dit niet kan leiden tot een explosie of de dood.

- Laat kinderen nooit om te werken, te spelen met of kruipen in het bierkoeler.
- Dit apparaat kan worden gebruikt door personen met verminderde fysieke, zintuiglijke of mentale vermogens of met gebrek aan ervaring of kennis, op voorwaarde dat zij onder toezicht staan of

instructies hebben gekregen over het veilige gebruik van het apparaat en dat zij de mogelijke gevaren volledig begrijpen.

2. Als het netsnoer beschadigd is, moet het worden vervangen door een after-sales service om elk gevaar te voorkomen.

- Het apparaat mag niet worden gebruikt als het is gevallen, er zijn duidelijke tekenen van schade zichtbaar of er zijn lekken.

- Dit apparaat mag worden gebruikt door kinderen vanaf 8 jaar en ouder indien dit gebeurt onder toezicht, als zij van tevoren instructies hebben ontvangen betreffende het veilige gebruik van het apparaat en als zij de mogelijke gevaren kennen.

- Reiniging en onderhoud mogen niet worden uitgevoerd door kinderen tenzij ze 8 jaar of ouder zijn en onder toezicht van een volwassene staan.

- Houd het apparaat en het snoer buiten bereik van kinderen onder de 8 jaar.

- Bij het gebruik van elektrische apparatuur moeten altijd veiligheidsmaatregelen worden genomen om het risico van brand, elektrische schokken en/of letsel in geval van verkeerd gebruik te voorkomen.
- Controleer of de spanning op het typeplaatje overeenkomt met de spanning die op het typeplaatje staat van uw installatie. Als dit niet het geval is, neem dan contact op met de dealer en sluit het apparaat niet aan.
- Laat het apparaat nooit onbeheerd achter terwijl het in bedrijf is.
- Bewaar dit document bij de hand en geef het aan de toekomstige eigenaar in geval van overdracht van uw apparaat.
- Uw apparaat is uitsluitend ontworpen voor huishoudelijk gebruik. Het is niet bedoeld voor gebruik in de volgende situaties, die niet onder de garantie vallen:
 - in personeelskeukens in winkels, kantoren en andere professionele

omgevingen,

- in boerderijherbergen,
- door gasten in hotels, motels en andere residentiële omgevingen,
- in bed & breakfast-omgevingen.

EEN FUST KIEZEN

- Afgesloten 5L universele fust en Heineken fust is alleen geschikt
- Let goed op de veiligheid en opslag waarschuwingen over de bierfust / op de bierfust.
- Controleer of de fust is niet beschadigd of bier over datum is is voor de aankoop.
- Bescherm de bovenkant tegen beschadigingen. Anders zou het bevestigen van de zuigbuis moeilijk worden.
- Houd de fust koel gedurende 12 uur, maar niet te koud plaats (bijv. vriezer) tot het volgende gebruik.

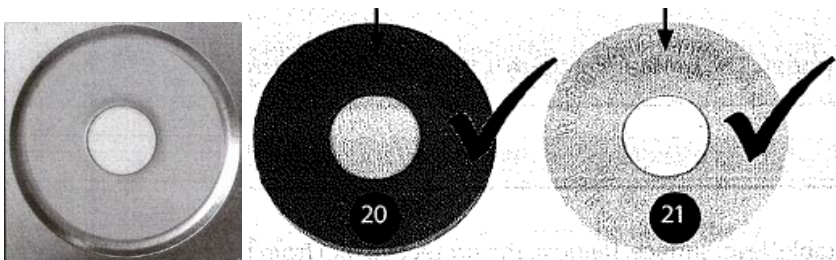


- Schud de bierfust nooit voor gebruik
- Plaats nooit de bierfust in het zonlicht.

BIERFUST AFSLUITING

Alle 5 liter bier fust met de volgende verschillende verschijning afdichtingmiddelen kunnen toepassen op het bierkoeler moet echter de informatie hieronder volgen

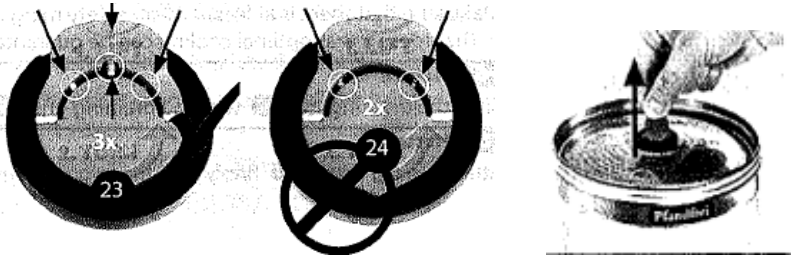
De kit met code No. 20 en 21 kan eenvoudig worden doorboord door de koeler piercing pin.



*De kit met code No. 22 moeten worden verwijderd van de markering ring uit de massa en prik de bierfust door koeler piercing pin. (Toon als figuur 1)

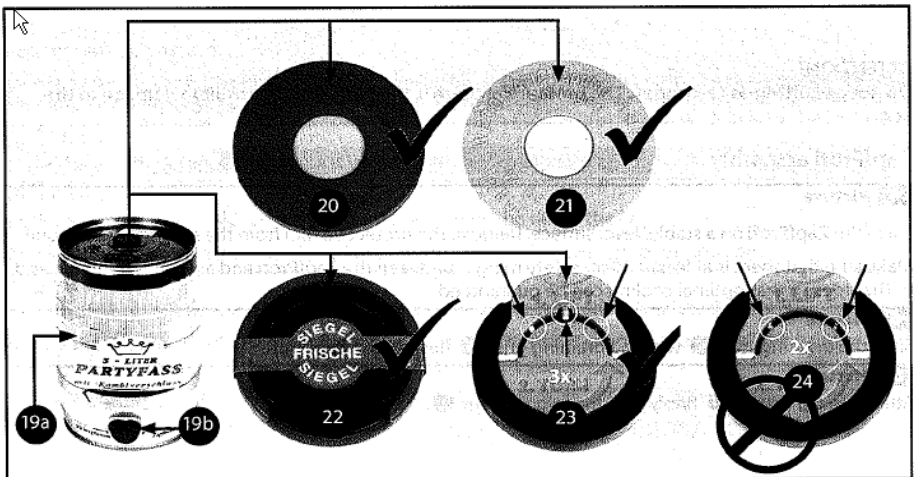


*Het verschil tussen de code No 23 en 24 is de veiligheid sluiting hoeveelheid. Trek de veiligheidssluiting voorzichtig, draai je om en neem het uit het fust; vervangen door de kit (zoals code No 2 kit) die in het bierkoeler, voeg het bij de bierfust, en die doorboren door koeler piercing pin. (Toon als figuur 3).



Figuur 1

(Belangrijk: Voor het vervangen van de afdichtingmiddelen of piercing de koeler kit, moet u altijd de instructies die op het fust om het overtollige gas weg te nemen en ervoor te zorgen dat het fust lang genoeg om schuim te voorkomen dat coming out door de koeler piercing pin / tap kraan heeft rustte . en het is niet nodig om het gas te laten ontsnappen en vervang de afdichting rubber als je Heineken vaatje gebruikt, omdat Heineken vaatje zijn eigen CO2 druk in en geen zorgen te ontvangen vanuit de CO2 druksysteem.



Figuur 2



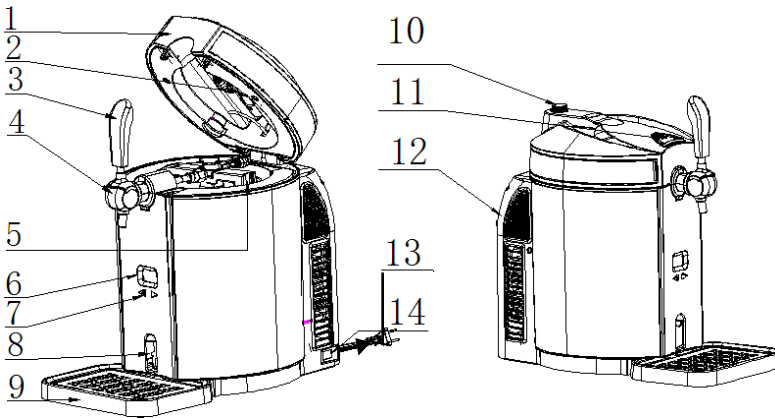
Figuur 3

SPECIFICATIES

Onderdeel	Beschrijving	Specificatie
1	Voltage	AC 220-240V/50Hz
2	Beschikbare capaciteit	5 liter bier fust
3	Vermogen	65W
4	Koelresultaat	2~12°C adjustable (room temperature 22~24°C)
5	Geluidniveau	≤38dB(A); (ambient noise ≤25dB(A))
6	Dimensies	W272*D480*H470mm
7	Netto gewicht	6.4±0.3Kg
8	CO2 druk	√
9	Roestvrij staal	√
10	Aluminium radiator systeem	√
11	Semi-conductor koel technologie	√
12	Water conductie koel systeem	√
13	LED display functie	√

14	Handmatige drainage	√
15	Verwijderbare lekbak	√
16	Aanpasbare temperatuur	√
17	Koelheidsbehoudingssysteem	PU isolatie / Gewicht 310±5g
18	Klimaat type	N/SN

ONDERDELEN & KENMERKEN



Figuur 4

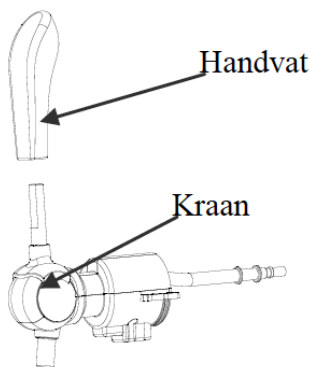
Figuur 5

- | | |
|---------------------------|-------------------------------|
| 1. Bovendeksel | 8. Drainage schakelaar |
| 2. CO2 patroon ingang | 9. Lekbak |
| 3. Tap handfust | 10. CO2 druk verlichtingsknop |
| 4. Tap | 11. Deur sluitknop |
| 5. Fust lifter | 12. Deksel achterzijde |
| 6. LED display | 13. Kabel & stekker |
| 7. Digitale controle knop | 14. AC aan knop |

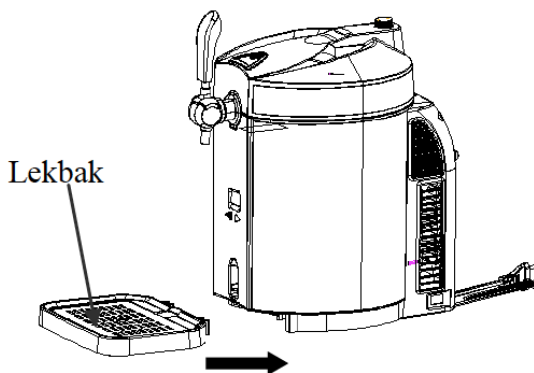
INSTALLATIE & GEBRUIK

A. INSTALLATIE

1. Haal de bierkoeler uit de verpakking. Plaats het bierkoeler op een stabiel en horizontaal oppervlak en zorg ervoor dat het bierkoeler ten minste 5 inch / 10 cm afstand van andere apparaten of aan de muur aan beide zijden zodat de correcte ventilatie op de toestellen mogelijk te maken, krijgen betere prestaties.



Figuur 6



Figuur 7

2. Installeer de kraan handfust sluit de kraan, zorg ervoor dat beide uiteinden in elkaar passen perfect. (Getoond als figuur 6)

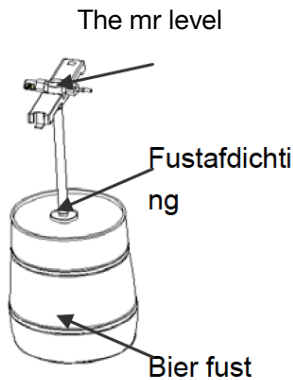
3. Stel het water lekbak in de uitsparing voorzien. (Toon als figuur 7)

4. Steek het bierkoeler.

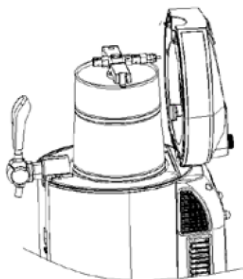
Let op: niet aansluiten of loskoppelen van de stekker wanneer uw handen nat zijn. Alvorens te gebruiken, zorg ervoor dat de spanning is overeenstemming is met plug merk, en controleer of het netsnoer goed is aangesloten of niet; zo niet, dan kunt u niet gebruiken, en bel service center;

5. Breng 800 ml water in de koeling holte of giet het water aan de max markering (Toon als figuur 8) (Het kan werken zonder water, maar het kan de beste prestaties niet weergeven)

Opmerking: Zorg ervoor dat de afvoer schakelaar op "Off" positie, en geen extra voorwerpen in de koeling holte.

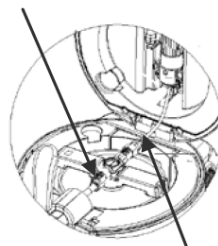


Figuur 10



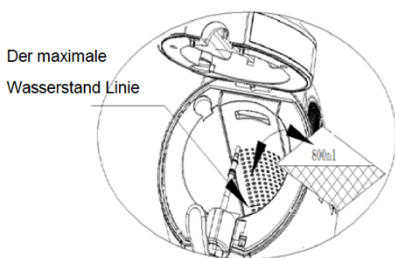
Figuur 11

Zorg ervoor dat de drainageschakelaar op staat



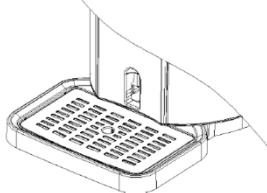
CO2 verbinder

Figuur 12



Figuur 8

Stellen Sie sicher, dass der Ablaufschalter auf der Position "Aus" steht



Figuur 9

B. GEBRUIK

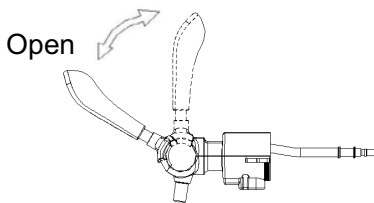
Universele 5L bier fust

1. Voordat het doorboren van de stop op de top van het fust, moet u altijd de instructies die op het fust om het overtollige gas weg te nemen en ervoor te zorgen dat het fust lang genoeg is om te voorkomen dat schuim coming out door middel van de kraan kraan is uitgerust.

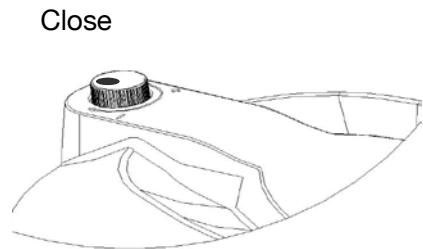
2. oprecht richt de piercing pin tegen de kit op de bovenste midden van het fust (misschien moet je af te rukken van de markering ring of wijzigen van een juiste kit), drukt u op de piercing pin / vaatje lifter aan de kit porren en duw de piercing pin allemaal onder te dompelen in het fust snel. Om de kraan mechanisme assembleren totdat u een "Ka" geluid dat de kraan mechanisme fixes op de bierfust zal aangeven horen. (Toon als figuur 10)

3. Open het bierkoeler met 60-80N kracht en plaats het goed geassembleerde bierfust in de koeling holte; Sluit de CO2-verbinder buis en bier afvoerbuis met de bierfust lifter buis verbinder. **OPMERKINGEN:** zorg ervoor dat alle aansluiting van de kraan mechanisme is goed verbonden, en zonder schade. En zorg ervoor dat klep kraan ligt op een nauwe status en de CO2 drukregelaar knop in stand "Off".

GESLOTEN

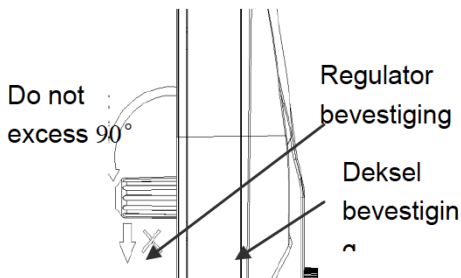


Figuur 13

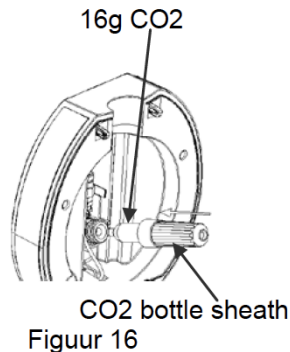


Figuur 14

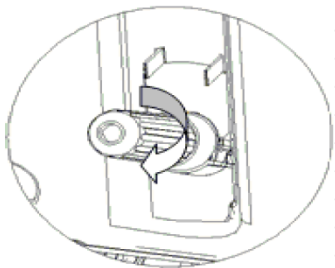
4. Maak de CO2 fles schede (Toon als figuur 15), plaats een 16 gram CO2-patroon in de schede (Figuur 16), en schroef de mantel vast totdat u hoort een "klik" (Figuur 17), hetgeen aangeeft dat de patroonsluiting is doorboord en de CO2-gas vrij in het fust stromen. Maak ons de fles omhulsel is stevig bevestigd aan de CO2-lekkage te voorkomen. Dan zet CO2 fles schede in de bovenklep.



Figuur 15



Figuur 16



Figuur 17

Notice:

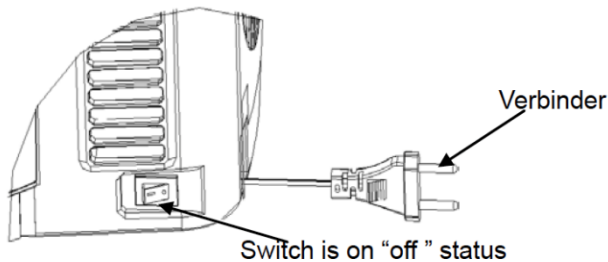
- *Turn off the CO2 knob when cooling the beer
- *Turn off the CO2 knob when the beer flow is paused
- *Turn off the CO2 knob when changing the CO2 cartridge
- *When the beer cannot be tapped out (there is still beer in keg), or beer foams are not enough, turn the knob to "+" position for 5 seconds, then turn off it again.

Figuur 18

5. Sluit de bovenklep van het bierkoeler; Wanneer uitgieten het bier, de draai de knop op de bovenklep om "+" positie om de CO2 vrij, en zet hem op "-" positie wanneer pauze of stoppen met het gieten van bier tot de CO2 sluiten. Raadpleeg de aankondiging label op de bovenklep.

6. Zet de schakelaar op "A" om de macht over het bierkoeler. (Terwijl de stand "0" is om de stroom uit te).

OPMERKINGEN: Zorg ervoor dat uw handen droog zijn wanneer u het bierkoeler te bedienen, om elektrische schokken te voorkomen.



Figuur 19

7. Het zal 19-21 uur duren om het bier naar 2-4 °C afkoelen op 22-24 °C omgevingstemperatuur. En het kan de temperatuur te houden als set en weergegeven op het LED. Wij doen echter vermoeden dat je in eerste instantie te koelen je bierfust voor ten minste 12 uur in de koelkast voordat u het in het bierkoeler, vooral wanneer de omgevingstemperatuur hoger is dan 25 °C.
3. U kunt de temperatuur in te stellen naar uw smaak te passen, door het indrukken van de knoppen op de frontplaat. De temperatuur kan worden ingesteld van 36 tot 54 °F °F (2 °C tot 12 °C), met behulp van de temperatuur aanpassen knop (+ en -) die zich vernietiging van het temperatuur display.

De PCB heeft de geheugenfunctie, als u de stroom op de koeler, deze herinneringen de set gematigde van de vorige keer.

De LED wordt standaard de werkelijke temperatuur van het bier te geven. U kunt de ingestelde temperatuur te zien door op de "+" knop 1 seconde, wordt de ingestelde temperatuur weer te geven, en 3 seconden later, zal het terug te krijgen en de echte temperatuur weer te geven.

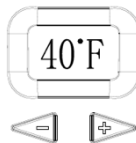
Standaard temperatuur

Het bierkoeler heeft 6 voorgeprogrammeerde temperaturen.

Houd "-" knop, het in te voeren de 6 vooraf ingestelde temperaturen, dan kunt u op "-" om een bepaalde vooraf ingestelde temperatuur te

kiezen, 40 °F (4 °C), 46 °F (8 °C), 48 °F (9 °C) , 50 °F (10 °C), 52 °F (11 °C) en 54 °F (12 °C).

Houd "+" knop kan de eenheid conversie te bereiken tussen Fahrenheit en Celsius.



Figuur 20

9. Stel de CO2 drukregelaar knop om "+" positie, om het bier giet door te trekken naar beneden de kraan mechanisme ongeveer 45 °, en u kunt de drukregelaar knop om het bier debiet en bel bier controle aan te passen; (Figuur 13)

Opmerking: Reinig het glas voordat bier uit te storten; als het bier of bier cup / glas is in de hoge temperatuur of het bier is niet cool genoeg is, zijn er veel bubbels als gieten bier uit;

10. Tijdens het tappen van het bier, leun je bierglas tegen de schenktuit en langzaam strijk het glad met de bier stijgt, dan opent u de kraan mechanisme volledig te veel schuim te voorkomen; Het is raadzaam om half-vol glas, maak een korte pauze alvorens verder de rest.

OPMERKINGEN: Dompel de schenktuit in het bierglas veel schuim te voorkomen; Vergeet niet om de kraan te vergrendelen na het beëindigen van het gieten.

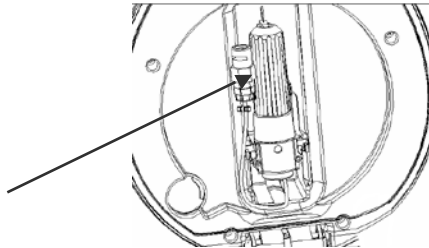
11. Het is normaal om meer bubbels wanneer het gieten van de eerste 3 kopje bier.

12. Er zal een scherpe en high-speed jet wanneer het gieten van de laatste beker van bier uit vaatje.

Pas de CO2 drukregeling knop om "-" positie om de CO2 te sluiten leveren en opslaan van de CO2.

HEINEKEN FUST

Heineken fusten zijn vooraf opgeladen met CO2, en niet het gebruik van de regulator niet nodig, geen behoefte te installeren van de CO2-patroon. En de knop op de bovenklep niet werkt.

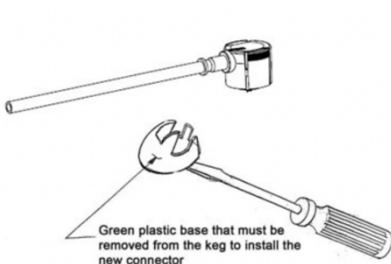


CO2 verbinder position

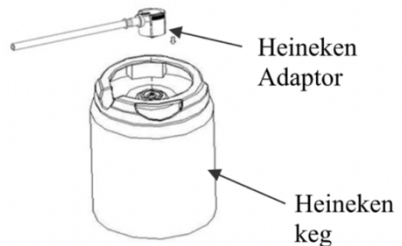
Figure 21

1. De Heineken-verbinder die wordt geleverd met uw bierkoeler kan werken met alle Heineken 5 liter fusten. Toch moet u een platte schroevendraaier gebruiken om de groene basis van het fust te verwijderen om de nieuwe verbinder, voorzien van het bierkoeler installeren.

2. Bij het installeren van de nieuwe verbinder aan de Heineken vaatje, moet u eerst het heldere bier bus ene naar de verbinder, een einde te maken aan de kraan mechanisme, installeer dan de verbinder aan de Heineken vaatje.

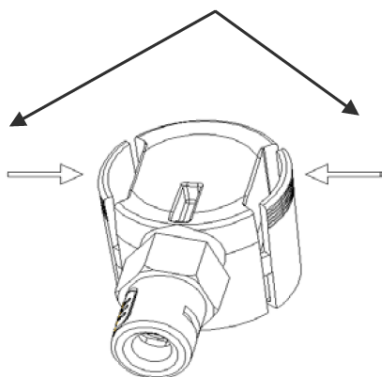


Figuur 22

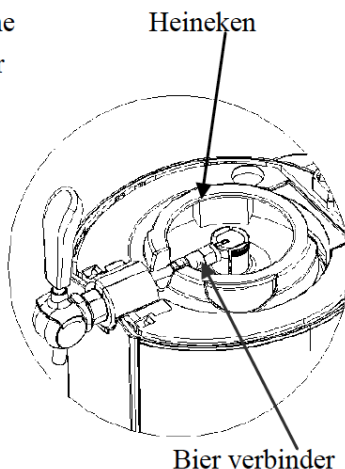


Figuur 23

Note: Please take out the Heineken adaptor with collect ways, Press it according the arrow indication, or will damage the fastener



Figuur 24



Figuur 25

3. Sluit de bovenklep; bedienen zoals boven stap 6-12, als universele 5 liter vaatje, maar stap 9 is uitzondering.

C. BIERFUST VERWISSELEN (5 liter universele fust)

Wanneer het bier in leeg is, voordat u een nieuw bierfust.

1. Stel de CO2 drukregeling knop om "-" switch af te sluiten van de CO2 leveren en op te slaan van de CO2.

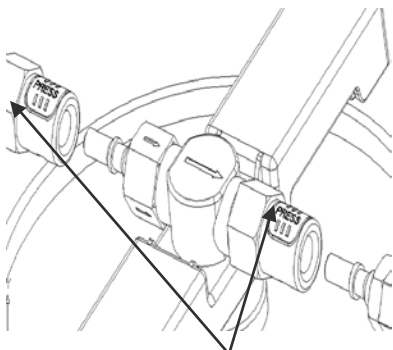
2. Open de bovenklep van het bierkoeler, trek de kraan op het handfust naar beneden om de rest van het gas te laten ontsnappen uit het fust (misschien met wat bier schuim).

3. Dan zet de piercing pin in het nieuwe fust en in het bierkoeler te zetten. Sluit de gas-buis en bier buis uit de bierfust lifter, door op de witte delen van vaatje lifter.

4. Koppel de gas-buis en bier buis uit de bierfust lifter,

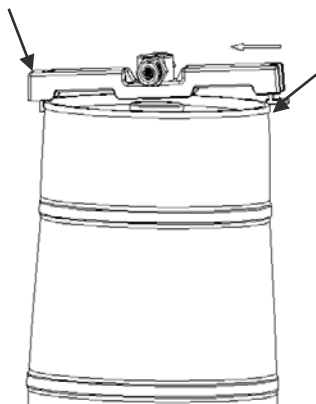
5. Haal de bierfust door de vaatje lifter, en trek de piercing pin uit het fust.

6. Het wordt aanbevolen om de kraan mechanisme schoon te maken wanneer het veranderen van de bierfust elke keer. Verwijzen wij u naar de onderstaande inhoud over het reinigen.



Bij het uitnemen van de bierverbinder en de CO2 verbinder drukt u op de witte knop

Figuur 26



Figuur 27

D. NIEUW CO2 PATROON BEVESTIGEN (Geen behoefte aan Heineken vaatje)

Wijzig de CO2-patroon als geen bier kan uitstorten wanneer de CO2 druk knop in "on" positie en heeft bier in fust

1. Bij het draaien van de CO2 druk knop om "-" positie, om de CO2 leveren van te sluiten.
2. Open de bovenklep, los van de patroon omhulsel, en neem de lege CO2-patroon.

Plaats een nieuwe 16g CO2-patroon in de schede, en schroef de mantel vast totdat u hoort een "klik", wat aangeeft dat de patroon afdichting is doorboord en de CO2-gas vrij in het fust stromen. Maak ons de fles omhulsel is stevig bevestigd aan de CO2-lekkage te voorkomen. Dan zet CO2 fles schede in de bovenklep.

3. Sluit de bovenklep van bierkoeler;

4. Draai de CO2 druk knop om "+" positie te schakelen op de CO2-levering, en het is klaar om bier te ou pout.

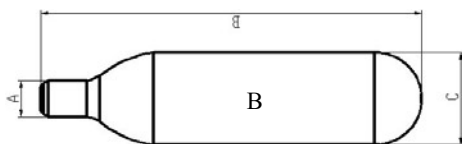
Let op: elk 16g CO2 patroon kan meer dan 5 liter bier uit druk;

Waarschuwing:

1. Maak gebruik van de gekwalificeerde CO2-patroon. Onderstaande informatie CO2-patroon voor uw referentie. Nooit Stikstof gaspatroon in het bierkoeler de explosiegevaar vanwege de veel hogere druk;

2. Nieuwe CO2-patroon nodig hebt goede reserve, elk spel is verboden, of zullen gevaren veroorzaken.

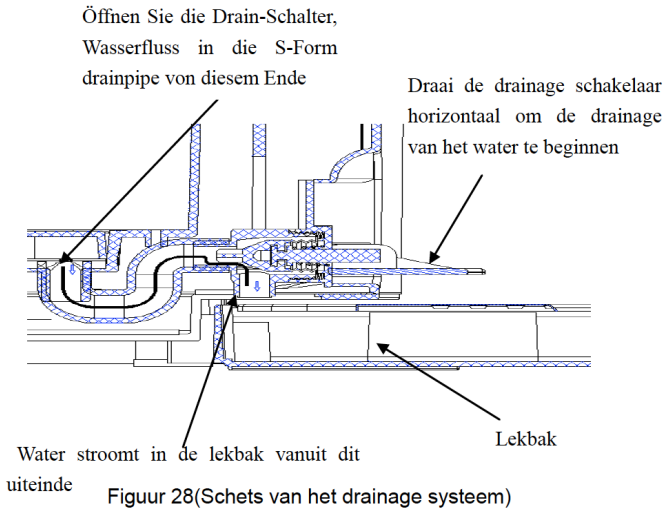
16g CO2 Patroon



NW g	Volume ml	GW g	Patroon Weight g	A mm	B mm	C mm	D mm	Druk Kgf/cm ²	Tapdruk Bar
15.5 16.5	20	57.0 58.6	42.0 42.6	Ø8.6 Ø8.9	88.0 89.0	Ø21.7 Ø22.0	10 1 1	60	450

E. WATER IN KOELER VERVANGEN

Het verdient aanbeveling het vervangen van water in de holte eenmaal per week. (Geen behoefte om het water te vervangen voor elke bierfust, een week een keer aanbevolen)



1. Open de afvoer schakelaar om uit te lekken uit het water uit de holte in het lekbakje. Zorg ervoor dat de lekbak is passen in de uitsparing om de waterstroom naar het bureau te voorkomen; de lekbak kan 450ml water te laden;
2. Nadat al het water weglopen, sluit de afvoer switch en zet 800ml zoet water in de holte.
3. Open de afvoer schakelaar (sleep de schakelaar naar voren tot 90 graden), en laat het water in de holte om lade druppelen, en hoeft tweemaal om afvoer uit het water.

Waarschuwing: 1) Schoon water is noodzakelijk; 2) Zorg ervoor dat de lekbak is passen in de uitsparing om de waterstroom naar het bureau te voorkomen; 3) De lekbak kan 400-500 ml water te laden;

SCHOONMAAK TAP MECHANISME

Bierkoelers behoefte voldoet aan hygiënische eisen, het moeten schoon zijn voor het eerste gebruik of voor lange tijd gebruik, het reinigen van de gehele machine met een droge doek. Anders twee schoonmaak manier wordt aanbevolen als volgt:

1. Plaats het warme water in de schoonmaak kit.

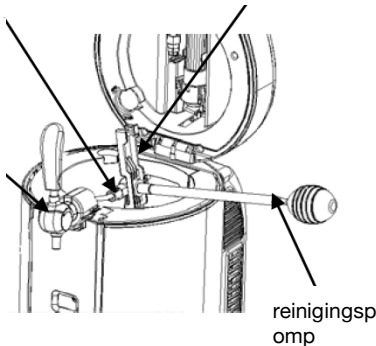
2. En sluit het einde van piercing pin, druk op het water in de pen om de pin buis te reinigen, en duw het water uit het bier buis aan de andere kant. En herhaal deze reinigingswerkzaamheden tot het bier buis schoon (behoefte 3 flessen warm water in ieder geval), dan kunt u het reinigen van de tap mechanisme figuur 30. Let op: Demonteer de kraan bij het maken van de schoonmaak. (Toon als figuur 29)

Bier verbinder moet in het apparaat passen

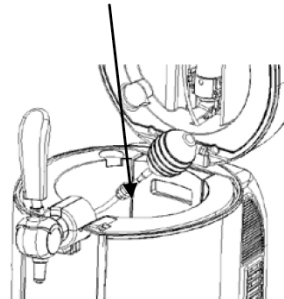
Afval unit

This verbinder must connect with Schoonmaak flesje

Open de kraan bij het schoonmak en van de bier tube



Figuur 29











Figuur 30

Waarschuwing:

Zet nooit de kraan mechanisme delen in de wasmachine of vaatwasser; Gebruik nooit de chemische reinigingsmiddel om de onderdelen schoon te maken, wordt warm of gezuiverd water aanbevolen.

VERVANGINGSONDERDELEN

ACCESSOIRES VAN UW BIERKOELER

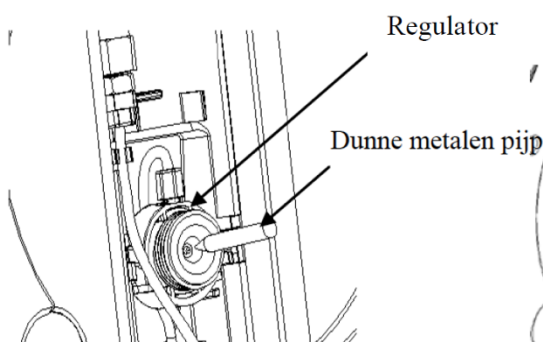
Items	Name	Qty.	Installment	Picture	Spare parts
1	Verbinder afdichting	3	Regulator valve		2 pcs
2	CO2 verbinder	2	Regulator valve		1pcs
3	Bier tube	2	Bier-out verbinder		2pcs
4	Tube afdichtings ring	4	Bier-in pipe		3pcs
5	Fust afsluiting	2	Standard tube		2pcs
6	Heineken adapter	3	Heineken tube		3pcs
7	CO2 patroon	3	Regulator valve assemblage		3pcs
8	Reinigings pomp	1			1pcs

B. Vervang de CO2-verbinder en afdichtring

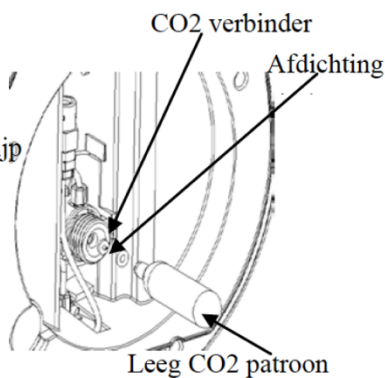
CO2-verbinder en afdichtring misschien beschadigd bij verkeerd gebruik of andere redenen, dan kunt u vervangen door een nieuwe.

1. Ten eerste, het uitzoeken van de afdichting wasmachine met een kleine metalen stok (Toon als figuur 31), en verwijder de CO2-verbinder (al was het maar vervang de afdichting wasmachine, kan deze stap worden geannuleerd). Wees voorzichtig met andere delen van de regulator niet beschadigen.

2. Installeer een nieuwe CO2-verbinder in de regulator (laat het scherpe uiteinde buiten naar), en installeer de afdichtring (Toon als figuur 32). Geen andere delen van de regulator niet verwijderen in de verving proces.



Figuur 31



Figuur 32

Let op: Vergeet niet druk op de afdichting cirkel met lege patroon in plaats van nieuwe patroon, of zullen leiden tot gevaar.

C. BIERTUBE VERWISSELEN (Zie figuur 33)

Vervang het bier buis als bier buis is beschadigd en veroorzaken bier lekkage.

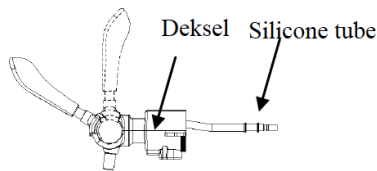
1. Trek de vergrendeling van het bier buis, en dan trekken uit de buis.
2. Schroef de gezamenlijke moer bier buis, en trek de buis uit.

3. Breng een nieuw bier buis, en installeer het bier buis volgens met omgekeerde procedure.

LET OP: Niet bewegen andere schroeven bij de verwerking van vervanging van de slang, anders kan het bier lekkage of gas lekken.

1) Zet de kraan aan de staat van het vrijgeven, en open vervolgens het deksel tot het afsluiten van silicone buis.

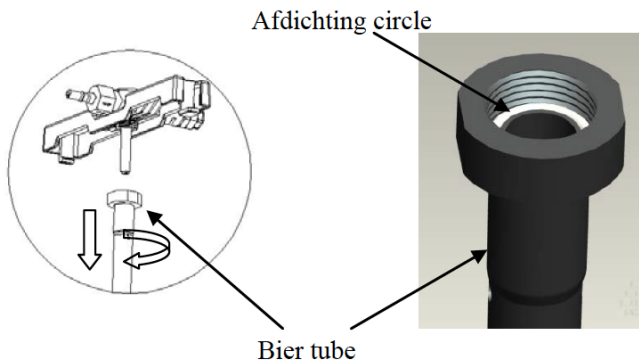
2) Vervang een nieuw bier siliconen buis en installeer het volgens met omgekeerde procedure.



Figuur 33

D. Vervang de afdichtingcirkel van bier buis (Zie figuur 34)

1. Vervang de nieuwe afdichting cirkel bier buis als de verbinder heeft lekkage
2. Zet het bier buis als indicatie van geloei figuur
3. Neem het zegel kring van bier buis
4. Breng een nieuwe afdichting cirkel op dezelfde positie
5. Draai de afdichting cirkel strak om lekkage te voorkomen



Figuur 34

ONDERHOUD

Als de bierkoeler niet goed werkt, kunt u bellen met het service center;

Om tijd en geld te besparen, voordat u belt voor service, check de handleiding Problemen oplossen. Het betreft oorzaak van kleine operatie problemen die u zelf kunt oplossen.

Probleemoplossing

Probleem	Oorzaak	Oplossing
De tap doet het niet / er komt geen bier uit	<ol style="list-style-type: none">1. Het gieten buis is in slechte verbinding of CO2 toevoeren wordt afgesneden2. Geen vaatje of geen bier in het fust;3. Geen gas in de CO2-patroon4. De CO2 drukregelaar knop is dichtbij	<ol style="list-style-type: none">1. Wel sluit de stromende buis en het leveren van CO22. Wijzig een nieuw vaatje3. Verander een nieuwe CO2-patroon4. Draai de CO2 drukregelaar knop op "+" positie
Teveel schuim uit de tap	<ol style="list-style-type: none">1. Gebruik een verkeerde manier om bier uit te storten2. Het bier temp is hoog (beter 3-5C)3. Het vaatje wordt geschud voor gebruik4. Bijna geen bier in het fust5. Te veel druk op het fust	<ol style="list-style-type: none">1. Gebruik de juiste manier om bier uit te storten2. Koel het bier naar beneden om 3-5C3. Doe de bierfust opzij een tijdje tot geen bel binnen4. Wijzig een nieuw vaatje5. Stel de druk knop om "-" richting om de druk te verlagen of sluit de draaiknop
Bier stroomt te langzaam uit de tap	<ol style="list-style-type: none">1. Binnen CO2 druk is niet hoog genoeg is2. De verbindingbuis voor het gieten buis lekkage	<ol style="list-style-type: none">1. Stel de druk knop om zoveel CO2 druk te verminderen of te vervangen door een nieuwe.2. Controleer of de buis lekkage of niet, zo ja, vervang de binnenband

GARANTIE

De garantieperiode op onze producten is 2 jaar, tenzij anders vermeld, beginnend vanaf de datum van de initiële aankoop of bezorgdatum.

Als u problemen of vragen heeft, kunt u eenvoudig onze hulppagina's bezoeken voor tips om problemen op te lossen, de FAQ's en andere gebruikershandleidingen op onze website: <https://sav.hkoenig.com>.

Door de referentiernaam van uw apparaat in de zoekbalk te typen, krijgt u toegang tot alle beschikbare online hulpmiddelen, ontworpen om aan uw behoeften te voldoen.

Als u toch niet geen antwoord op uw vraag kunt vinden, klik dan op "Heeft het antwoord uw probleem opgelost? Hierdoor gaat u naar het Aanvraagformulier voor Klantenondersteuning, dat u in kunt vullen om uw verzoek te valideren en hulp te ontvangen.

GARANTIEVOORWAARDEN

De garantie dekt alle mankementen die voortkomen uit normaal gebruik, volgens de sectie gebruik en specificaties in de gebruikershandleiding.

Deze garantie omvat niet verpakkings- of transportproblemen tijdens het vervoer van het product door de eigenaar. Het omvat ook niet de normale slijtage van het product, noch het onderhoud of vervangen van verbruiksartikelen.

UITSLUITINGEN VAN DE GARANTIE

- Accessoires en verbruiksartikelen (*).
- Normaal onderhoud van het apparaat.
- Alle mankementen veroorzaakt door verkeerd gebruik (schokken, het niet opvolgen van de aanbevolen stroomvoorziening, in slechte omstandigheden gebruiken, etc.), onvoldoende onderhoud of ondeugdelijk gebruik van het apparaat, alsook het gebruik van ongeschikte accessoires.
- Schade van buitenaf: vuur, waterschade, elektrische stroompiek, etc.

- Apparaten die uit elkaar zijn gegaan, ook gedeeltelijk, door personen die niet er niet gekwalificeerd voor zijn (zoals de gebruiker).
- Producten waarvan het serienummer verdwenen, beschadigd of onleesbaar is, waardoor we het niet kunnen identificeren.
- Producten die verhuurd werden of ter demonstratie of showmodel waren.

(*) Sommige onderdelen van uw apparaat, genaamd verbruiksartikelen, slijten naar verloop van tijd en bij veel gebruik van uw apparaat. Deze slijtage is normaal, maar kan verergerd worden door slechte omstandigheden of onderhoud van uw apparaat. Deze onderdelen worden daarom niet gedekt door de garantie.

De accessoires meegeleverd met het apparaat zijn ook uitgesloten van de garantie. Ze kunnen niet vervangen of gerestitueerd worden. Echter, sommige accessoires zijn te koop via onze website: <https://sav.hkoenig.com/>.

MILIEU



ATTENTIE :

Dit apparaat mag niet met uw ander huishoudelijke toestellen worden verwijderd. Dit product moet op een geselecteerde stortplaats verwijderd worden. U kunt bij de gemeente een indiceerde plaats aanvragen. Elektrisch en elektronische producten kunnen gevaarlijke stoffen inhouden die schadelijk zijn voor mensen en het milieu en moet recycled worden. Het symbool aan de kant geeft aan dat het een elektrisch en elektronisch toestel is en zijn dus artikelen van een selectieve collectie. Het beeld geeft een afvalbak met een X teken aan.

Adeva SAS / H.Koenig Europe - 8 rue Marc Seguin, 77290 Mitry-Mory, France - www.hkoenig.com - <https://en.hkoenig.com>

Tél: +33 1 64 67 00 05

ESPAÑOL

Por favor, lea el manual de instrucciones antes de instalar, operar la máquina y guárdelo para futuras referencias.

INTRODUCCIÓN

Este es un refrigerador de cerveza doméstico, equipado con un sistema de presión de un cartucho de CO₂ para mantener la cerveza fresca. Mantiene la cerveza a la mejor temperatura para el almacenamiento en frío (0 a 4°C) dentro de un aproximado de 19-21 horas.

El refrigerador de cerveza mantendrá refrigerado el barril de 5L durante un período casi indefinido. Nosotros, sin embargo, sugerimos que inicialmente usted enfríe su cerveza por lo menos 12 horas en su refrigerador antes de colocarlo en el refrigerador de cerveza.

Instrucciones de seguridad importantes

Hemos escrito mensajes importantes de seguridad en el manual de instrucciones para el refrigerador de la cerveza. Antes de usar el refrigerador de cerveza, lea y cumpla las normas de seguridad e instrucciones de funcionamiento. Deje el manual de instrucciones en un lugar seguro para futuras referencias.

Instrucciones de seguridad

- Antes de usar, compruebe si el cable de alimentación está en buenas condiciones o está dañado; si no, por favor no lo use, y comuníquese con el centro de servicio al cliente.
- Si el cable de alimentación está dañado, debe ser reemplazado por el fabricante o su agente de servicio o una persona calificada con el fin de evitar futuras situaciones de peligro.
- Antes de utilizarlo, compruebe si el

enchufe se ajusta con la toma de corriente o no; si no, por favor no lo use, y llame a su centro de servicio.

- No conecte o desconecte el cable de conexión con las manos mojadas.
- Coloque el refrigerador de cerveza en una superficie seca y horizontal.
- Para garantizar una ventilación adecuada del refrigerador de la cerveza, asegúrese de que el refrigerador de cerveza tenga un espacio al menos de 5 pulgadas / 10 cm de distancia a cada lado para permitir una ventilación correcta en el aparato.
- Nunca ponga el refrigerador de cerveza bajo la luz del sol.
- No cubra el refrigerador de la cerveza con algún objeto cuando está funcionando.
- El refrigerador de cerveza se debe instalar en un área protegida de la intemperie, como viento, lluvia, rocío de agua o gotas.

- Antes de proceder con la limpieza y la operación de mantenimiento, asegúrese de que el cable de alimentación de la unidad esté desconectado. El no hacerlo puede provocar una descarga eléctrica o la muerte.
- No sumerja el refrigerador de cerveza o el cable de conexión en el agua u otro líquido.
- No utilice un paño grueso o algún material abrasivo para limpiar el refrigerador de la cerveza.
- No retire el barril de cerveza fuera del refrigerador de cerveza si el barril no está terminado.
- No retire el cartucho de CO₂ antes de que el cartucho interior se haya terminado.
- No utilice el cartucho de CO₂ si la temperatura ambiente es más de 19°C / 120F. De no seguir esta instrucción, se podría producir una explosión o la muerte.
- Nunca permita que los niños operen, jueguen o entren dentro del refrigerador

de cerveza.

- Este aparato puede ser utilizado por personas con capacidades físicas, sensoriales o mentales reducidas o con falta de experiencia o conocimientos, siempre que sean supervisadas o instruidas en el uso seguro del aparato y que entiendan perfectamente los peligros potenciales.
- Si el cable de alimentación está dañado, debe ser sustituido por un servicio post-venta para evitar cualquier peligro.
- El dispositivo no debe utilizarse si se ha caído, si hay signos evidentes de daño o si hay fugas.
- Este aparato puede ser utilizado por niños de al menos 8 años de edad, siempre que cuenten con supervisión y hayan recibido instrucciones sobre el uso seguro del electrodoméstico y sean plenamente conscientes de los peligros que implica.

- La limpieza y mantenimiento de la máquina no debe ser efectuada por niños a menos que tengan como mínimo 8 años de edad y cuenten con la supervisión de un adulto.
- Mantenga el aparato y su cable eléctrico fuera del alcance de niños de menos de 8 años.
- Al utilizar equipos eléctricos, siempre se deben tomar precauciones de seguridad para evitar el riesgo de incendio, descarga eléctrica y/o lesiones en caso de uso indebido.
- Asegúrese de que la tensión nominal de la placa de características corresponde a la tensión de red de su instalación. Si no es así, póngase en contacto con el distribuidor y no conecte la unidad.
- Nunca deje la unidad desatendida mientras esté en funcionamiento.
- Por favor, tenga este documento a mano y entréguelo al futuro propietario en caso de transferencia de su dispositivo

- Su aparato ha sido diseñado únicamente para uso doméstico. No ha sido diseñado para ser utilizado en las siguientes situaciones que no están cubiertas por la garantía:

- en áreas de cocina para el personal en tiendas, oficinas y otros entornos profesionales,

- en albergues agrícolas,

- en hoteles, moteles y otros entornos residenciales,

- en entornos de tipo bed and breakfast.

COMO SELECCIONAR UN BARRIL

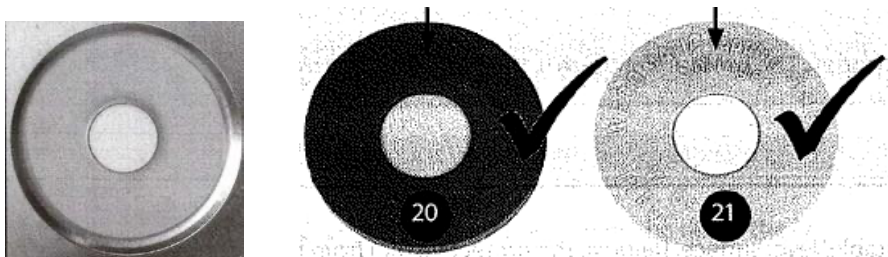
- Solo aplican barriles sellados y universales de 5L y Heineken.
- Preste mucha atención a los mensajes de seguridad y almacenamiento sobre el barril / en el barril.
- Compruebe si el barril está dañado y si la cerveza ha superado su fecha de vencimiento antes de comprar.
- Proteger la superficie superior de cualquier daño. De lo contrario será difícil de adherir el tubo de succión.
- Mantener el barril en un lugar frío durante 12 horas, pero no en un lugar demasiado frío (refrigerador) hasta el próximo uso.
- Nunca agite el barril antes de su uso.
- Nunca ponga el barril de cerveza bajo la luz del sol.



SELLADO DEL BARRIL DE CERVEZA

Los barriles de cerveza de 5 litros con los siguientes tipos de selladores y con esta apariencia pueden aplicar al refrigerador de cerveza, sin embargo, se debe seguir la información de la siguiente manera.

* Los selladores con código N° 20 y 21 pueden ser perforados con sólo la punta del pin perforador del refrigerador.



* Con los selladores con código N° 22 hay que eliminar el anillo marcado desde el sellador y perforar el barril con el refrigerador punta perforadora. (Ver la Figura 1)



* La diferencia entre el código n ° 23 y 24 es la cantidad del cierre de seguridad. Tire hacia arriba del cierre de seguridad con cuidado, dar la vuelta y lo saca del barril; reemplácelo por el sellador (como el código n ° 2 sellador) previsto en el refrigerador de la cerveza, adjúntelo al barril de cerveza, y se le pasará por el refrigerador punta perforadora. (figura 3)



Figura 1

Importante: Antes de sustituir los selladores o perforar el kit del refrigerador, siempre hay que seguir las instrucciones indicadas en el barril para eliminar el exceso de gas y asegurar que el barril haya descansado lo suficiente como para evitar que la espuma salga a través del enfriador del grifo. No hay necesidad de liberar el gas y volver a colocar la junta de goma si se utiliza un barril Heineken, debido a que el barril Heineken tiene su propia presión de CO2 en el interior, y no hay necesidad de ser proporcionada desde el sistema de presión de CO2 externa.

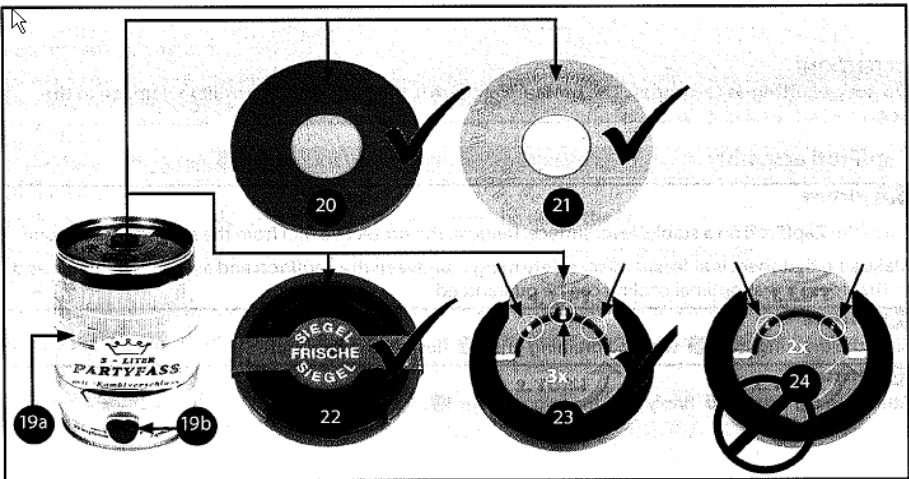


Figura 2



Figura3

ESPECIFICACIONES

Ítem	Descripción	Especificación
1	Voltaje	AC 220-240V/50Hz
2	Capacidad disponible	Barril de cerveza de 5 litros
3	Potencia nominal de funcionamiento	65W
4	Rendimiento de la refrigeración	2~12°Cajustable (cuarto temperatura 22~24°C)
5	Nivel de ruido	≤38dB(A); (Ruido ambiental ≤25dB(A))
6	Dimensiones	W272*D480*H470mm
7	Peso neto	6.4±0.3Kg
8	CO2 unidad de presión a cabo	√
9	Apariencia de acero inoxidable	√
10	Sistema de radiadores de aluminio	√
11	La tecnología de refrigeración de semiconductores	√
12	sistema de refrigeración de conducción de agua	√
13	función de visualización LED	√

14	Equipo de drenaje Manual	√
15	bandeja de goteo de agua desmontable	√
16	temperatura ajustable	√
17	Sistema de conservación fresca	PU aislamiento / Peso 310±5g
18	tipo de clima	N/SN

PIEZAS Y CARACTERÍSTICAS

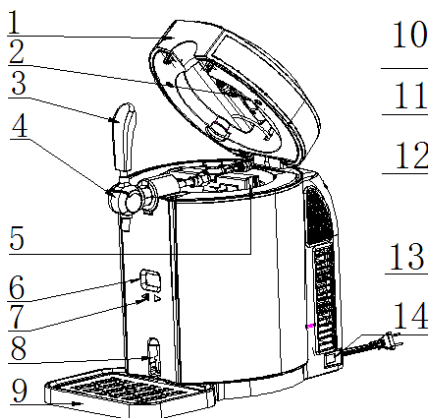


Figura 4

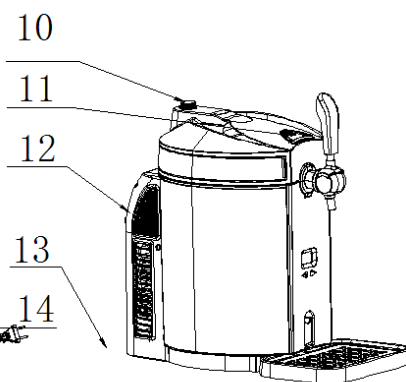


Figura 5

1. Cubierta superior

2. Cartucho CO2

3. Manija del grifo

4. Grifo

5. levantador de barril

6. LED pantalla

7. botón de control digital

8. interruptor de drenaje

9. Bandeja de goteo

10. CO2 válvula de presión / tecla

11. botón de bloqueo de la puerta

12. Cubierta trasera

13. cable de alimentación y el enchufe

14. interruptor de alimentación de CA

INSTALACIÓN Y FUNCIONAMIENTO

A. INSTALACIÓN

1. Sacar el refrigerador de cerveza de su envoltorio. Coloque el refrigerador de cerveza en una superficie firme y horizontal, y asegúrese de que el refrigerador de cerveza mantenga una distancia de al menos 5 pulgadas / 10 cm de distancia de otros aparatos o de la pared en cada lado para permitir una correcta ventilación de la máquina y así obtener un mejor rendimiento.

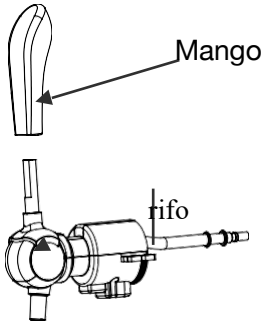


Figura 6

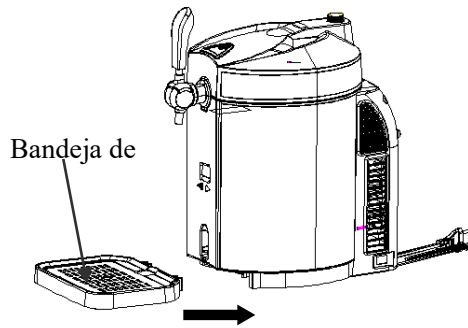


Figura 7

2. Instalar la manija del grifo, conectar el grifo, asegúrese de que ambos extremos encajen perfectamente. (Como muestra la Figura 6)
3. Coloque la bandeja de goteo de agua en el lugar previsto. (Demostración; como la figura 7)

4. Enchufe el refrigerador de cerveza.

Nota: No conecte o desconecte el enchufe eléctrico con las manos mojadas. Antes de usarlo, asegúrese de que la tensión es igual a la que indica en la marca del enchufe, y comprobar si el cable de alimentación está bien conectado o no; si no, por favor no lo use, y llame a un centro de servicio;

5. Poner 800 ml de agua en la cavidad de refrigeración o verter el agua hasta el punto donde indique "max" (como se muestra en la figura 8) (Se puede trabajar sin agua, pero no se puede asegurar el mejor rendimiento)

Nota: Asegúrese de que el interruptor de drenaje esté en la posición "OFF" (apagado), y que no haya objetos adicionales en la cavidad de refrigeración.

La línea de nivel máximo

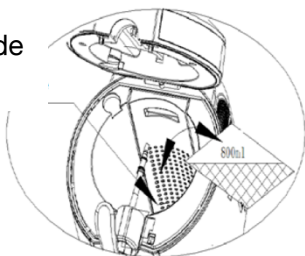


Figure 9

Asegúrese de que el interruptor de drenaje este posición "OFF".

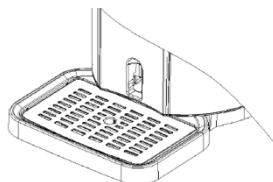


Figure 10

B. OPERACIÓN

Barril de cerveza de 5L universal

1. Antes de perforar el tapón en la parte superior del barril, siempre hay que seguir las instrucciones indicadas en el barril para eliminar el exceso de gas y asegurar que el barril haya descansado lo suficiente como para evitar la espuma que sale por la llave del grifo.

2. dirigir rectamente la punta perforadora contra el sellador en la parte superior central del barril (tal vez usted necesite arrancar el anillo marcado o cambiar a un sellante adecuado), presione la punta perforadora / levantador de barril para empujar el sellador y luego empuje la punta perforadora y sumerja todo en el barril rápidamente. Debe montar el mecanismo del grifo hasta que escuche un sonido que indicará las correcciones del mecanismo del grifo en el barril de cerveza. (Demostración en la figura 10)

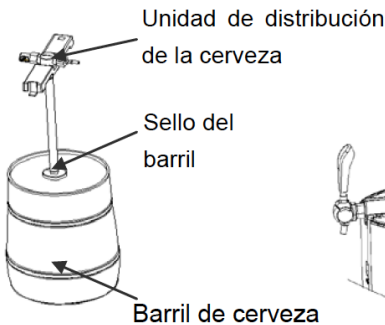


Figura 10

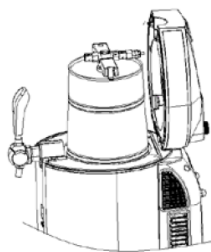
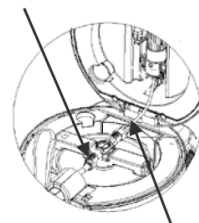


Figura 11

Conector de la cerveza



Conector de CO2

Figura 12

3. Abrir el refrigerador de cerveza con una fuerza de 60-80N y coloque el barril bien ensamblado en la cavidad de refrigeración; Conectar el tubo de salida al tubo conector de CO2 con el conector del tubo de cerveza del barril.

NOTAS: asegurarse de que todas las conexiones del mecanismo del grifo estén muy bien conectadas, y sin daños. Y que la válvula del grifo de seguro esté en estado de cierre, y el mando del regulador de presión de CO2 esté en estado "off" (apagado).

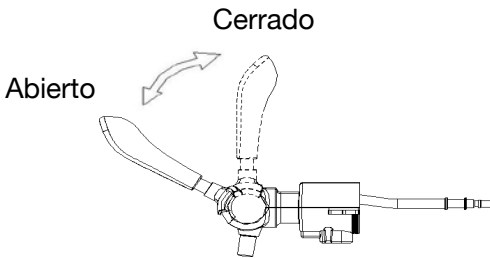


Figura 13

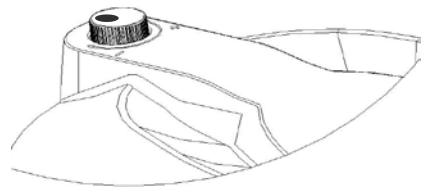


Figura 14

4. Afloje la funda de la botella de CO2 (como se muestra en la figura 15), inserte un cartucho de CO2 de 16 gramos en la funda (Figura 16), y el tornillo de la cubierta firmemente hasta que se oye un "click" (Figura 17), lo que indica que el cierre de cartucho se ha perforado y el gas de CO2 puede fluir en el barril libremente. Asegúrese que la funda de la botella se fije firmemente para evitar la fuga de CO2. A continuación, coloque la botella de CO2 en la funda de la cubierta superior.

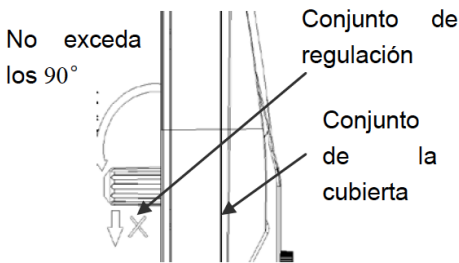


Figura 15

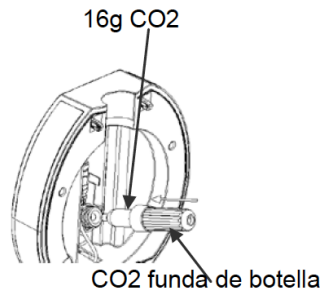


Figura16

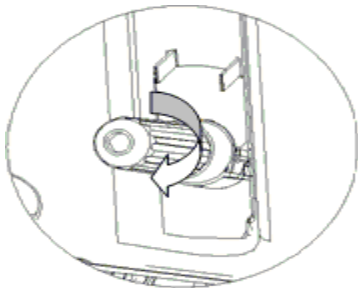


Figura 17

Tomar en cuenta:

- * Apague el botón de CO2, cuando este enfriando su cerveza
- * Apague el botón de CO2, cuando se detenga el flujo de cerveza
- * Apague el botón de CO2, cuando cambie el cartucho de CO2
- * cuando no pueda retirar cerveza (aún hay cerveza en el barril) o no hay suficiente espuma, gire la perilla a la posición "+" por 5 segundos, luego gírela nuevamente

Figura 18

5. Cierre la cubierta superior del refrigerador de cerveza; Al verter la cerveza, de vuelta a la perilla en la cubierta superior a la posición "+" para liberar el CO2, y gírela a la posición "-", cuando desee pausar o dejar de verter la cerveza, así cerrará el flujo de CO2. Por favor refiérase a la etiqueta de aviso en la cubierta superior.

6. Encienda el interruptor de encendido en la posición "A" para encender el refrigerador de la cerveza. (Si bien la posición "0" es para apagar).

NOTAS: Por favor asegúrese de que sus manos estén secas cuando se opera el refrigerador de cerveza, para evitar descargas eléctricas.

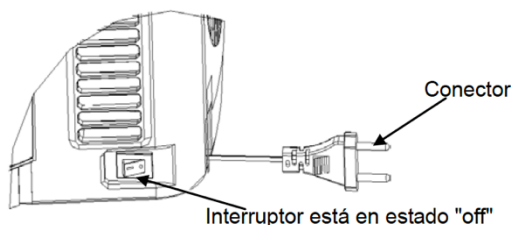


Figura 19

7. Se llevará a 19-21 horas para enfriar la cerveza a 2-4 °C temperatura a 22-24 °C ambiente. Y se puede mantener la temperatura como conjunto y se muestran en la pantalla LED. Nosotros, sin embargo, sugerimos que enfríe inicialmente el barril de cerveza durante al menos 12 horas en el refrigerador de su casa antes de colocarla en el refrigerador de cerveza, sobre todo cuando la temperatura ambiente es superior a 25 °C.

8. Puede ajustar la temperatura para adaptarse a su gusto, pulsando los botones de la placa frontal. La temperatura se puede ajustar entre 36 °C a 54 °C (2 °C a 12 °C), usando el botón de ajuste de temperatura (+ y -) situado a un lado de la pantalla de la temperatura.

El PCB tiene la función de memoria, cuando se enciende el refrigerador, la máquina podrá recordar la temperatura que se haya establecido la última vez.

El LED mostrará por defecto la temperatura real de la cerveza. Se puede ver la temperatura de ajuste pulsando el botón "+", en 1 segundo, se mostrará la temperatura establecida, y 3 segundos más tarde, se va a recuperar y mostrará la temperatura real.

La temperatura preestablecida

El enfriador de cerveza tiene 6 temperaturas preestablecidas.

Pulse y mantenga pulsado botón "-", que introduce las 6 temperaturas preestablecidas, a continuación, puede pulsar el botón "-" para elegir una determinada temperatura preestablecida, 40 °F (4 °C), 46 °F (8 °C), 48 °F (9 °C), 50 °F

(10 °C), 52 °F (11 °C) y 54 °F (12 °C).

Manteniendo pulsado el botón "+", la unidad puede conseguir la conversión entre Fahrenheit y Celsius

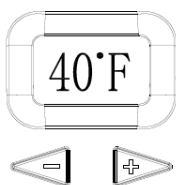


Figura 20

9. Ajuste la perilla del regulador de presión de CO₂ a la posición "+", para verter la cerveza hacia afuera oprimiendo el mecanismo del grifo posicione a un ángulo cercano a 45 °, y se puede ajustar la perilla del regulador de presión para controlar la velocidad del flujo de cerveza y el de las burbujas de cerveza; (Figura 13).

Nota: Limpiar el cristal antes de verter la cerveza fuera; si la taza de cerveza o / jarra para cerveza está en alta temperatura o la cerveza no está lo suficientemente fría, habrá muchas burbujas cuando se vierten cerveza.

10. Cuando vacíe la cerveza, incline su vaso de cerveza contra la boca de vertido y lentamente enderezarla con la cerveza en aumento, a continuación, abra el mecanismo del grifo por completo para evitar que se generé una gran cantidad de burbujas; Es recomendable verter medio vaso y hacer una breve pausa antes de continuar el resto.

para evitar que se genere una gran cantidad de burbujas; Recuerde que debe bloquear el grifo después de terminar servir.

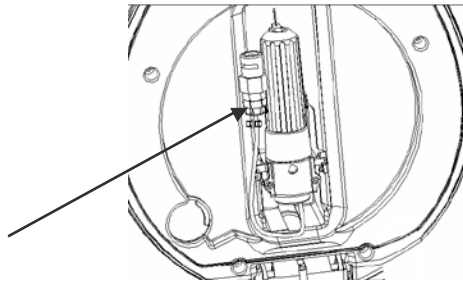
11. Es normal que haya más burbujas cuando se vierte las 3 primeras tazas de cerveza.

12. Habrá un chorro agudo y de alta velocidad cuando se vierte la última taza de cerveza de barril.

Por favor, ajuste el mando del regulador de presión de CO2 a la posición "-" para cerrar el suministro de CO2 y ahorrar el CO2.

C. Barril Heineken

Barriles Heineken son pre-cargados con CO2, y no requieren el uso del regulador, no hay necesidad de instalar el cartucho de CO2. Y la perilla de la cubierta superior no funciona.



Posición del conector CO2

Figura 21

1. El conector de Heineken que viene con el refrigerador de cerveza puede trabajar con todos los barriles Heineken 5 litros. Sin embargo, usted debe utilizar un destornillador de cabeza plana para quitar la base verde del barril con el fin de instalar el nuevo conector, provisto con el refrigerador de cerveza.

2. Cuando instale el nuevo conector al barril Heineken, primero debe instalar el tubo de cerveza en un extremo del conector y un extremo al mecanismo del grifo, a continuación, instale el conector en el barril de Heineken.



Figura 22

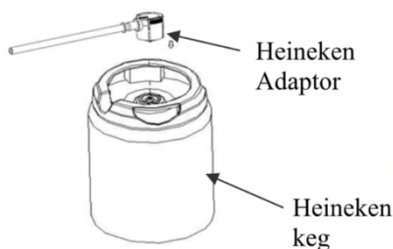


Figura 23

Nota: Tenga a mano el adaptador de Heineken con formas de prensa revertida, de la manera que según indica la flecha, o dañará el sujetador

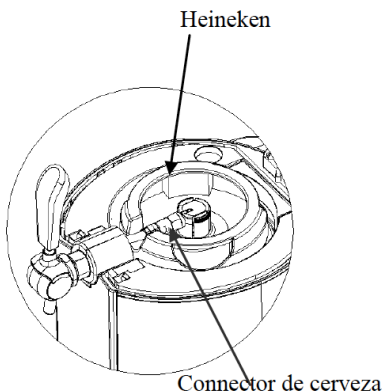
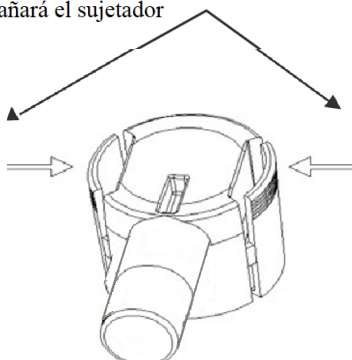


Figura 25

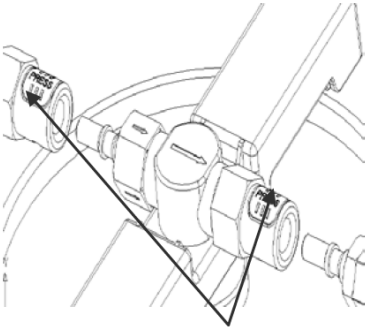
3. Cierre La Cubierta superior; opérela al igual que el anterior paso 6-12, Como El Barril de 5 litros universales, Pero el paso 9 es una excepción.

D. PARA CAMBIAR UN NUEVO BARRIL DE CERVEZA (Barriles universales de 5L)

Asegúrese que la cerveza en el barril se haya agotado, antes de cambiar de un nuevo barril de cerveza.

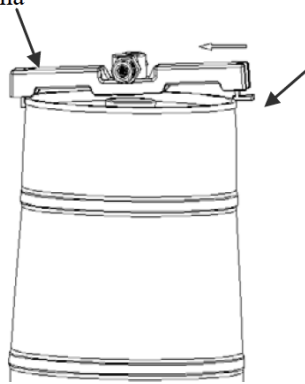
1. Ajuste el mando de regulación de la presión de CO₂ a la posición "-" esto provocará el cierre del suministro de CO₂ y ahorrará el CO₂.
2. Abra la cubierta superior del refrigerador de cerveza, tirar hacia abajo el mango del grifo para liberar el gas restante en el barril (tal vez esto produzca un poco de burbujas de cerveza).
3. A continuación, poner el pasador de perforación en el nuevo barril y poner en el refrigerador de la cerveza. Conectar el tubo de gas y el tubo de cerveza de barril del elevador, presionando la parte blanca de levantador de barril.
4. Desconecte el tubo de gas y el tubo de cerveza del levantador de barril.
5. Sacar el barril por el elevador barril, y tire del pasador de perforación del barril.
6. Se recomienda limpiar el mecanismo del grifo cuando se cambia el barril de cerveza cada vez.

Cuando usted saca el sujetador de la unidad de distribución de cerveza, puede mover la unidad hacia la indicación de la flecha



Al sacar el conector de la cerveza y el CO2, por favor presione el botón blanco abajo

Figura 26



Debe sacar el sujetador a la derecha en primer lugar, a continuación, empuje el cierre de la izquierda como indica la flecha, se puede sacar la unidad de dispensación finalmente.

Figura 27

E. CARGAR UN NUEVO CARTUCHO DE CO2 (No hay necesidad en un barril Heineken)

Por favor, cambie el cartucho de CO2 si no se puede verter la cerveza fuera cuando la perilla de presión de CO2 está en posición "on" (encendido) y tiene cerveza en barril.

1. Cuando gire el mando de presión de CO2 a la posición "-", para cerrar el suministro de CO2.
2. Abra la cubierta superior, afloje la funda del cartucho, y saque el cartucho de CO2 vacío.

Insertar un nuevo cartucho de CO2 de 16g en la funda, y destornille de la cubierta firmemente hasta que se oiga un "click", que indica que el cierre de cartucho se ha perforado y el gas CO2 puede fluir libremente en el barril.

Asegúrese que la funda de la botella esté fijada firmemente para evitar la fuga de CO₂. A continuación, coloque la funda de la botella de CO₂ en la cubierta superior.

3. Cierre la cubierta superior del refrigerador de cerveza;

4. Gire el botón de presión de CO₂ a la posición "+" para encender el suministro de CO₂, y estará listo para verter la cerveza fuera.

Recordatorio: cada cartucho de CO₂ de 16g puede presionar más de 5L de cerveza.

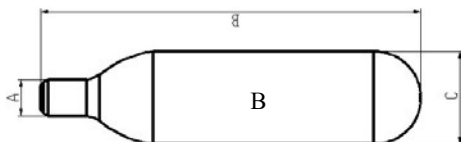
Advertencia:

1. Utilice el cartucho de CO₂ cualificado.

La información del cartucho de CO₂ lo puede encontrar debajo de su referencia. Nunca use cartucho de gas nitrógeno en el refrigerador de cerveza para evitar la explosión, debido a su presión es mucho mayor.

2. El nuevo cartucho de CO₂ cuenta con buena reserva, está prohibido jugar o cualquier tipo de manipulación inadecuada, o causará algún peligro.

16g CO₂ Cartucho

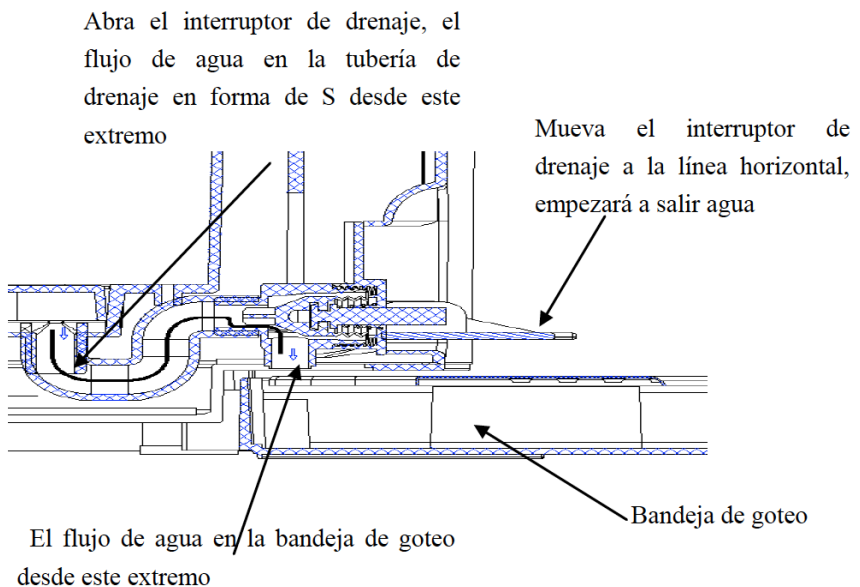


NW g	Volu- men ml	GW g	Peso del cartucho g	A mm	B mm	C mm	D mm	Presión Kgf/cm ²	Explo- sión de presión
15.5	20	57.0	42.0	Ø8.6	88.0	Ø21.7	10	60	450
16.5		58.6	42.6	Ø8.9	89.0	Ø22.0	11		

F. REEMPLAZAR EL AGUA DENTRO DE LA CAVIDAD DE ENFRIAMIENTO

Se recomienda sustituir el agua en el interior de la cavidad una vez por semana. (No es necesario reemplazar el agua por cada barril de cerveza, una vez a la semana es lo recomendado)

Figura 28 (Mapa esquemático de la construcción de drenaje)



1. Abra el interruptor de drenaje para drenar el agua de la cavidad en la bandeja de goteo. Asegúrese de que la bandeja de goteo encaje en la muesca para evitar el flujo de agua a la mesa; la bandeja de goteo puede cargar agua hasta 450ml;

2. Después de que toda el agua drene hacia fuera, se debe cerrar el interruptor de drenaje y coloque 800ml de agua fresca en la cavidad.

3. Abra el interruptor de drenaje (arrastre el interruptor de avance a un ángulo de 90 grados), y drene el agua en el interior de la cavidad de la bandeja de goteo, tendrá que repetir 2 veces para drenar el agua. **Advertencia:**

1) El agua limpia es necesaria

2) Asegúrese de que la bandeja de goteo encaje en la muesca para evitar el flujo de agua hacia el mostrador;

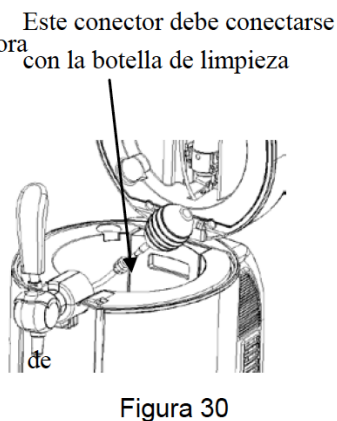
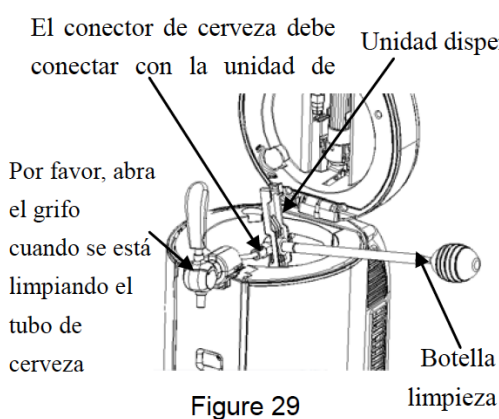
3) La bandeja de goteo puede cargar 400-500 ml de agua;

MECANISMO DE LIMPIEZA DEL GRIFO DE CERVEZA

La refrigeradora de cerveza necesita conformidad higiénica, se necesita limpiar antes del primer uso o para su uso prolongado, limpie toda la máquina con un paño seco. Se recomienda la limpieza de la siguiente manera:

1. Cargar el agua caliente en el kit de limpieza.

2. Y conecte el extremo de la punta perforadora, presione el agua en el tubo para limpiar el tubo de alfiler, y empujar el agua hacia fuera del tubo de cerveza en el otro extremo. Y repetir esta operación de limpieza hasta que el tubo de cerveza este limpio (necesita 3 botellas de agua tibia por lo menos), limpie el mecanismo dispensador de cerveza que se muestra en la figura 30. Nota: Por favor, desmontar el grifo cuando haga la limpieza. (Demostración en la figura 29



Advertencia:

Nunca ponga las partes del mecanismo del grifo en la lavadora o el lavavajillas;
Nunca use el detergente químico de limpieza para limpiar las partes, se recomienda utilizar agua caliente o purificada.

PARA EL CAMBIO DE REPUESTOS

ACCESORIO INCLIDOS CON SU REFRIGERADOR DE CERVEZA

ítems	Nombre	Cantidad.	Instalación	Picture	Piezas de repuesto
1	sello del conector	3	La válvula reguladora		2pcs
2	Conector de CO2	2	La válvula reguladora		1pcs
3	Tubo de cerveza	2	Conector de salida de la cerveza		2pcs
4	círculo sello del tubo	4	tubo de cerveza		3pcs
5	sello barril	2	Tubo estándar		2pcs
6	Adaptador Heineken	3	Cubo Heineken		3pcs
7	CO2 cartucho	3	Conjunto de la válvula del regulador		3pcs
8	Bomba de limpieza	1			1pcs

A .Reemplazar el conector de CO2 y la arandela de sellado

El conector de CO2 y la arandela de sellado podrían dañarse por el mal uso o por otras razones, por favor reemplazar por uno nuevo.

1. En primer lugar, elegir la arandela de sellado con una pequeña vara de metal (como se muestra en la figura 31), y retirar el conector de CO2 (aunque si sólo va a reemplazar la arandela de sellado, este paso puede ser evitado). Tenga cuidado de no dañar otras partes del regulador.

2. Instalar un nuevo conector de CO2 en el regulador (dejar en el extremo afilado hacia fuera), e instalar la arandela de sellado (como se muestra en la figura 32). No retire otras partes del regulador en el proceso de sustitución.

Advertencia: Recuerde pulsar el sello circular con el cartucho vacío

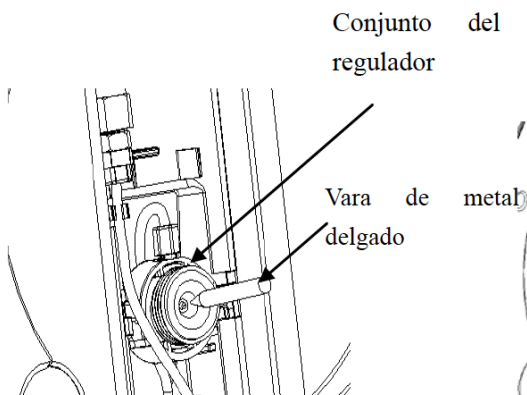


Figura 31

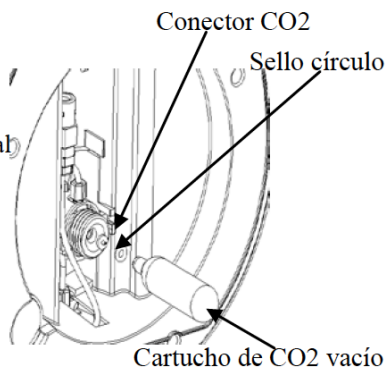


Figura 32

en lugar del cartucho nuevo, o causará futuros daños.

B. PARA EL CAMBIO DEL TUBO DE CERVEZA (como se muestra la figura 33)

Por favor, sustituir el tubo de cerveza si el tubo de cerveza está dañado y está provocando una fuga de cerveza.

Tire hacia abajo el bloqueo del tubo de cerveza, y luego extraiga el tubo.

1. Desenroscar la tuerca conjunta de tubo de cerveza, y retire el tubo.
2. Coloque un nuevo tubo de cerveza, e instale el tubo de cerveza de acuerdo con el procedimiento inverso.

NOTAS: No mueva otros tornillos en el proceso de sustitución del tubo, de lo contrario, puede provocar la fuga de cerveza o una fuga de gas.

1) Cierre la llave al estado de liberación y abra la tapa para sacar tubo de silicona.

2) Reemplazar un nuevo tubo de silicona cerveza, e instalarlo de acuerdo con el procedimiento inverso.

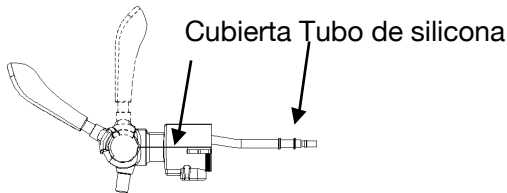


Figure 33

C. Vuelva a colocar el círculo sello del tubo de cerveza (como muestra la figura 34)

Vuelva a colocar el nuevo sello circular de tubo de cerveza si el conector tiene fugas.

1. Coloque el grifo en la posición de “+” y luego abra la cubierta para que pueda retirar el tubo de silicona.
2. Sacar el sello circular del tubo de cerveza.
3. Vuelva a colocar un nuevo sello circular en la misma posición del sello
4. Girar el sello circular herméticamente para evitar cualquier fuga.

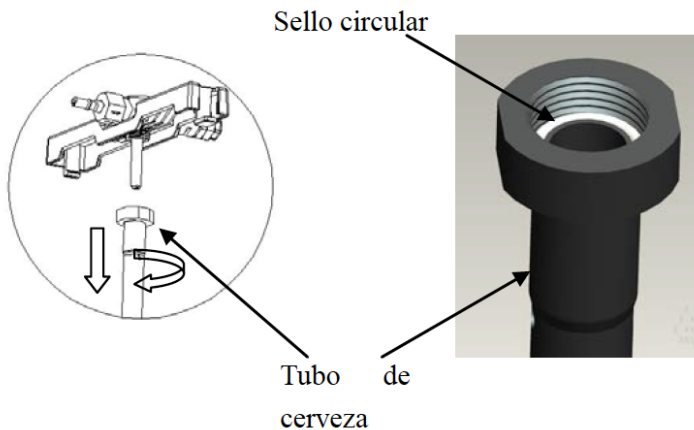


Figura 34

MANTENIMIENTO

Si el refrigerador de la cerveza no funciona correctamente, por favor llame al centro de servicios;

Para ahorrar tiempo y dinero, antes de llamar al servicio, revise la Guía para solucionar problemas. En él se enumeran causa de problemas de operación de menor importancia que se pueden corregir a sí mismo.

Solución de problemas

Problema	Causa	Solución de problemas
El grifo no funciona / no se puede verter la cerveza fuera	<ol style="list-style-type: none">1. El tubo de vertido está en una mala conexión o CO2 se corta al suministrar2. No queda cerveza en el barril3. No hay gas en el cartucho de CO24. El mando del regulador de presión de CO2 está mal colocado	<ol style="list-style-type: none">1. Así conectar el tubo de vertido y el suministro de CO22. Cambiar un nuevo barril3. Cambiar un cartucho de CO24. Cambiar un cartucho de CO2 Girar el mando del regulador de presión de CO2 en la posición "+"
El derrame por exceso de burbujas	<ol style="list-style-type: none">1. Sirve la cerveza no correctamente2. La temperatura de la cerveza es alta (mejor en C3-5)3. El barril se agita antes de su uso4. Casi no hay cerveza en el barril5. El exceso de presión en el barril	<ol style="list-style-type: none">1. Utilizar de la manera correcta para verter la cerveza fuera2. Enfríe la cerveza hasta C3-53. Ponga el barril de cerveza a un lado por un tiempo hasta que no queden burbujas en el interior4. Cambiar un nuevo barril5. Ajuste el botón de presión para dirección "-" para disminuir la presión o cerrar la perilla

<p>La cerveza fluye muy lentamente</p>	<ol style="list-style-type: none"> 1. La presión de CO2 en el interior no es lo suficientemente alta 2. El tubo de conexión para tubo de vertido tiene fugas 	<ol style="list-style-type: none"> 1. Ajuste el botón de presión para liberar mucha presión de CO2 o sustituir por uno nuevo. 2. Compruebe si el tubo tiene alguna fuga o no, si es así reemplazar el tubo
--	--	--

GARANTÍA

El periodo de garantía de nuestros productos es de 2 años, salvo que la ley estipule lo contrario, a partir de la fecha de la compra inicial o de la fecha de entrega.

Si tiene algún problema o pregunta, puede acceder fácilmente a nuestras páginas de ayuda, consejos para solucionar problemas, preguntas frecuentes y manuales de usuario en nuestro sitio de servicio: <https://sav.hkoenig.com>.

Al escribir el nombre de referencia de su dispositivo en la barra de búsqueda, puede acceder a toda la asistencia en línea disponible, diseñada para satisfacer mejor sus necesidades.

Si sigue sin encontrar una respuesta a su pregunta o problema, haga clic en "¿La respuesta ha resuelto su problema? Esto le llevará al formulario de solicitud de asistencia posventa, que puede rellenar para validar su solicitud y obtener ayuda.

CONDICIONES DE GARANTÍA

La garantía cubre todos los fallos que se produzcan en el contexto de un uso normal, de acuerdo con los usos y especificaciones del manual de usuario.

Esta garantía no se aplica a los problemas de embalaje o transporte durante el envío del producto por parte del propietario. Tampoco incluye el desgaste normal del producto, ni el mantenimiento o la sustitución de piezas consumibles.

EXCLUSIÓN DE GARANTÍA


- Accesorios y piezas de desgaste (*).
- Mantenimiento normal del aparato.
- Todas las averías derivadas de un uso incorrecto (golpes, incumplimiento de las recomendaciones de alimentación eléctrica, malas condiciones de uso, etc.), de un mantenimiento insuficiente o de un mal uso del aparato, así como del uso de accesorios inadecuados.
- Daños de origen externo: incendio, daños por agua, sobrecarga eléctrica, etc.
- Cualquier equipo que haya sido desmontado, incluso parcialmente, por personas que no estén autorizadas a hacerlo (en particular el usuario).
- Productos cuyo número de serie falte, esté dañado o sea ilegible, lo que no permitiría su identificación.
- Productos sujetos a alquiler, demostración o exposición.

(*) Algunas piezas de su aparato, conocidas como piezas de desgaste o consumibles, se deterioran con el tiempo y la frecuencia de uso de su aparato. Este desgaste es normal, pero puede acentuarse por las malas condiciones de uso o de mantenimiento de su aparato. Por lo tanto, estas piezas no están cubiertas por la garantía.

Los accesorios suministrados con el aparato también están excluidos de la garantía. No se pueden cambiar ni reembolsar. No obstante, algunos accesorios pueden adquirirse directamente en nuestro sitio web: <https://sav.hkoenig.com/>

MEDIO AMBIANTE

ATENCIÓN :

 No se deshaga de este producto como lo hace con otros productos del hogar. Existe un sistema selectivo de colecta de este producto puesto en marcha por las comunidades, debe de informarse en su ayuntamiento acerca de los lugares en los que puede depositar este producto. De hecho, los productos eléctricos y electrónicos pueden contener sustancias peligrosas que tienen efectos nefastos para el medio ambiente o para la salud humana y deben ser reciclados. El símbolo aquí presente indica que los equipos eléctricoso electrónicos deben de ser cuidadosamente seleccionados, representa un recipiente de basura con ruedas marcado con una X.

Adeva SAS / H.Koenig Europe - 8 rue Marc Seguin, 77290 Mitry-Mory, France - www.hkoenig.com - <https://sac.hkoenig.com/> -

Tél: +33 1 64 67 00 05

ITALIANO

Si prega di leggere il manual d'istruzione prima d'installare e utilizzare l'apparecchio. Conservare per riferimenti futuri.

INTRODUZIONE

Questo è un dispositivo di raffreddamento domestico della birra dotato di un sistema di pressione con cartuccia di CO₂ per mantenere la birra fresca. L'apparecchio porta la birra alla temperatura ottimale per la conservazione (da 0 a 4°C) entro 19-21 ore.

Il dispositivo di raffreddamento della birra manterrà il fusto da 5L fresco per un periodo quasi indefinito. Tuttavia, è consigliabile mettere il fusto di birra per almeno 12 ore in frigorifero prima di inserirlo nell'apparecchio.

ISTRUZIONI IMPORTANTI SULLA

SICUREZZA

In questo manuale sono riportati molti messaggi importanti per la sicurezza. Prima dell'uso, si prega di leggere e rispettare tutte le norme di sicurezza e le istruzioni per l'uso. Conservare il manuale d'istruzioni in un luogo sicuro per riferimenti futuri.

Istruzioni sulla sicurezza

- Prima di usare l'apparecchio, controllare se il cavo d'alimentazione sia ben collegato o meno; in caso contrario, si prega di non usarlo, e chiamare il centro assistenza;
- Se il cavo d'alimentazione è danneggiato, deve essere sostituito dal costruttore o dal suo rappresentante o da una persona qualificata al fine di evitare rischi.
- Prima di usare l'apparecchio,

controllare se la spina è conforme con la presa; in caso contrario, si prega di non usarlo, e chiamare il centro assistenza.

- Non collegare o scollegare la spina con le mani bagnate.

- Disporre il dispositivo di raffreddamento della birra su una superficie asciutta e orizzontale.

- Per assicurare un'adeguata ventilazione per il raffreddamento della birra, assicurarsi che l'apparecchio sia almeno a 5 pollici/10 cm di distanza su entrambi i lati in modo da consentire una corretta ventilazione.

- Non mettere mai il dispositivo di raffreddamento della birra sotto la luce del sole.

- Non coprire mai con qualsiasi altro oggetto il dispositivo di raffreddamento della birra quando è in funzione.

- L'apparecchio deve essere installato in una zona protetta dagli agenti atmosferici, come vento, pioggia, acqua nebulizzata o

gocce d'acqua.

- Prima di procedere con la pulizia e le operazioni di manutenzione, assicurarsi che la spina d'alimentazione sia scollegata. In caso contrario, può provocare scosse elettriche o, in alcuni casi, la morte.

- Non immergere l'apparecchio o la spina d'alimentazione in acqua o altri liquidi.

- Non usare panni ruvidi o materiali abrasivi per pulire l'apparecchio

- Non rimuovere il fusto di birra dall'apparecchio se il fusto non è completamente vuoto.

- Non estrarre la cartuccia di CO₂ prima che tutta la CO₂ all'interno sia terminata.

- Non usare la cartuccia di CO₂ se la temperatura ambiente è superiore a 49°C/120°F. In caso contrario, può provocare esplosioni o la morte.

- Non permettere mai ai bambini di utilizzare, giocare con il dispositivo.

- Questo apparecchio può essere usato

da persone con ridotte capacità fisiche, sensoriali o mentali o con mancanza di esperienza o conoscenza, a condizione che siano sorvegliate o istruite sull'uso sicuro dell'apparecchio e che comprendano pienamente i potenziali pericoli.

- Se il cavo d' alimentazione è danneggiato, deve essere sostituito con un servizio post-vendita per evitare ogni pericolo.

- Il dispositivo non deve essere utilizzato se è stato lasciato cadere, sono visibili evidenti segni di danneggiamento o se presenta perdite.

- Questo apparecchio può essere utilizzato da bambini a partire da 8 anni, purché sorvegliati e istruiti all'uso sicuro dell'apparecchio e pienamente a conoscenza dei pericoli che comporta.

- La pulizia e la manutenzione non devono essere eseguite da bambini a meno che abbiano più di 8 anni e siano

sorvegliati da un adulto.

- Conservare l'apparecchio e il cavo d'alimentazione fuori dalla portata di bambini di età inferiore a 8 anni.

- Quando si utilizzano apparecchiature elettriche, è necessario adottare sempre misure di sicurezza per prevenire il rischio di incendi, scosse elettriche e/o lesioni in caso di uso improprio.

- Accertarsi che la tensione nominale sulla targhetta corrisponda alla tensione principale della vostra installazione. In caso contrario, contattare il rivenditore e non collegare l'unità.

- Non lasciare mai l'unità incustodita durante il funzionamento.

- Si prega di tenere questo documento a portata di mano e di consegnarlo al futuro proprietario in caso di trasferimento del dispositivo.

- Il vostro apparecchio è stato progettato esclusivamente per un uso domestico. Non è destinato all'uso nelle seguenti

situazioni che non sono coperte dalla garanzia:

- in cucine per il personale in negozi, uffici e altri ambienti professionali,
- in ostelli agricoli,
- da ospiti in hotel, motel e altri ambienti residenziali,
- in ambienti tipo bed and breakfast.

COME SCEGLIERE I FUSTI DI BIRRA

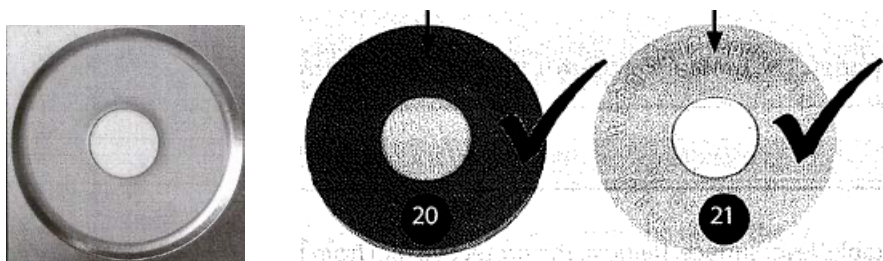
- Questo apparecchio funziona solo con fusti di birra universali o Heineken da 5 litri.
- Prestare particolare attenzione ai messaggi di sicurezza e di stoccaggio dei fusti.
- Prima di acquistare il fusto, controllare che non sia danneggiato e che la birra non sia scaduta.
- Proteggere la superficie superiore da eventuali danni. In caso contrario, potrebbe diventare difficile l'adesione al tubo d' aspirazione.
- Tenere il fusto in un luogo piuttosto freddo per 12 ore, ma non troppo freddo (ad esempio il frigorifero) fino al prossimo utilizzo.
- Non scuotere il fusto prima dell'uso.
- Non mettere mai il fusto di birra sotto la luce del sole.



SIGILLANTE PER FUSTI

I sigillanti sotto menzionati possono essere applicati a tutti i fusti di birra da 5 litri a condizione che si seguano tutte le istruzioni presenti in questo manuale:

* I sigillanti con il codice n° 20 e 21 possono essere bucati semplicemente dal perno di perforazione dell'apparecchio.



* Per i sigillanti con il codice n° 22 si deve rimuovere l'anello di marcatura dal sigillante e poi perforare il fusto con il perno. (Come mostrato in figura 1)



* La differenza tra i sigillanti con codice n° 23 e 24 è la quantità di chiusure di sicurezza. Sollevare la chiusura di sicurezza con attenzione, girarla ed estrarla dal fusto; sostituire il sigillante (come per i sigillanti con codice n° 2) previsto con l'apparecchio, collegarlo al fusto di birra, e forare facendo perno con l'apparecchio (come mostrato in figura 1).



(Importante: Prima di sostituire i sigillanti o il kit perforante dell'apparecchio, è sempre necessario seguire le istruzioni riportate sul fusto per eliminare l'eccesso di gas e assicurare che il fusto abbia riposato abbastanza a lungo per evitare la schiuma che esce attraverso il perno o il rubinetto. Se si utilizzano fusti Heineken non è necessario rilasciare il gas e sostituire la guarnizione in gomma, poiché i fusti Heineken hanno già la loro CO2 pressata all'interno, e non c'è bisogno che venga fornita una CO2 esterna

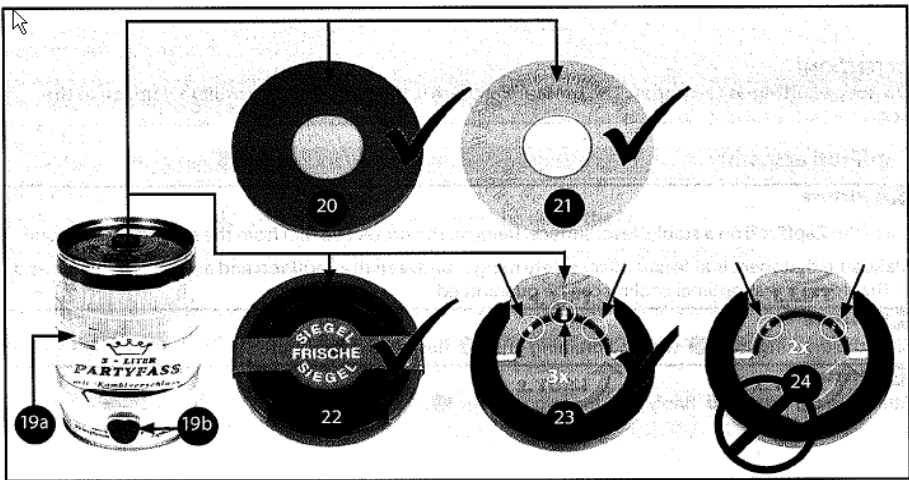


Figura 2



Figura 3

SPECIFICHE TECNICHE

ART.	Descrizione	Specifiche
1	Voltaggio	AC 220-240V/50Hz
2	capacità disponibile	Fusto da 5 litri
3	potenza di funzionamento nominale	65W
4	prestazioni di raffreddamento	2~12°C regolabile (temperatura stanza 22~24°C)
5	Livello di rumore	≤38dB(A); (ambient noise ≤25dB(A))
6	Dimensioni	W272*D480*H470mm
7	Peso netto	6.4±0.3Kg
8	pressione l'unità di CO2	√
9	aspetto in acciaio inox	√
10	sistema di radiatori in alluminio	√
11	tecnologia di raffreddamento dei semiconduttori	√
12	Sistema di raffreddamento di conduzione acqua	√
13	funzione di visualizzazione a LED	√
14	drenaggio manuale	√
15	vasca di raccolta acqua rimuovibile	√
16	Temperatura regolabile	√
17	sistema di conservazione della temperatura	PU isolamento / Peso 310±5g
18	tipo di clima	N/SN

PARTI E CARATTERISTICHE

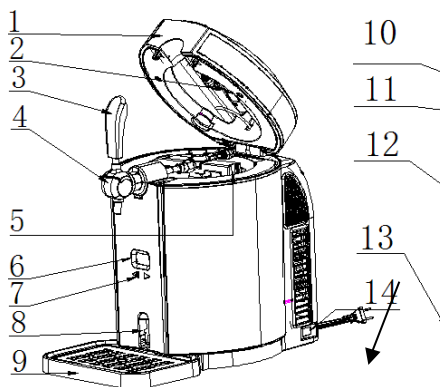


Figura 4

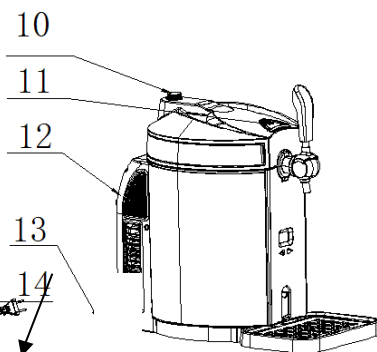


Figura 5

1. Coperchio superiore

2. supporto CO2

3. Maniglia spillatrice

4. Spillatrice

5. Sollevatore fusto

6. Schermo a led

7. Tasti di controllo digitale

8. Interruttore drenaggio

9. Vassoio di raccolta

10. valvola di pressione e rilascio CO2

11. Tasto di chiusura sportello

12. Coperchio posteriore

13. Cavo d'alimentazione e spina

14. Interruttore AC

INSTALLAZIONE E OPERAZIONI

A. INSTALLAZIONE

1. Estrarre l'apparecchio dalla confezione e posizionarlo su una superficie stabile e orizzontale, e assicurarsi che abbia almeno 5 pollici/10 cm di distanza da altri apparecchi o dalla parete su ogni lato in modo da consentire una corretta ventilazione e ottenere prestazioni migliori.

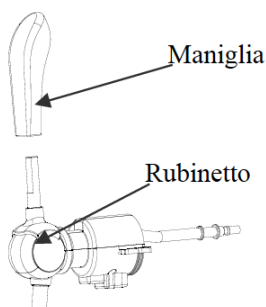


Figura 6

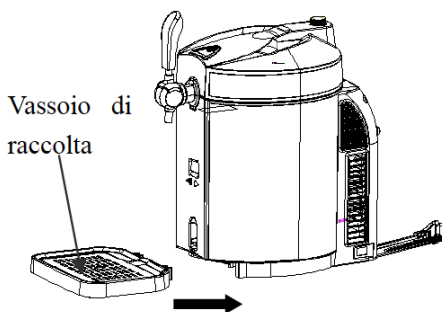


Figura 7

2. Installare la maniglia sul rubinetto e assicurarsi che si adatti perfettamente. (Come mostrato in figura 6)
3. Impostare la vaschetta di raccolta nell'apposita fessura. (Come mostrato in figura 7)

B. OPERAZIONI

Fusto universale da 5 litri

Prima di forare il tappo sulla parte superiore del fusto, è sempre necessario seguire le istruzioni riportate sul fusto per eliminare l'eccesso di gas e assicurarsi che il fusto abbia riposato abbastanza a lungo per evitare che la schiuma fuoriesca dal rubinetto.

1. Attaccare la spina.

Nota: Non collegare o scollegare la spina elettrica con le mani bagnate. Prima di utilizzare l'apparecchio, assicurarsi che la tensione elettrica sia conforme con la targhetta della spina. Verificare se il cavo di alimentazione sia ben collegato o meno; in caso contrario, si prega di non usarlo e chiamare il centro assistenza.

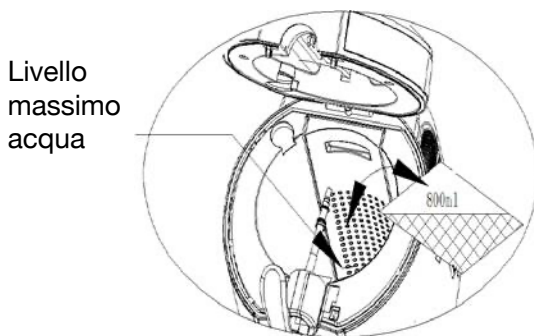


Figure 8

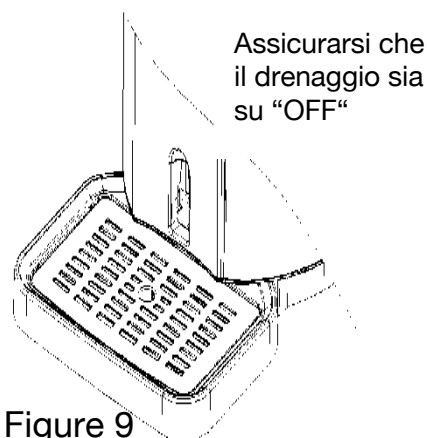


Figure 9

2. Mettere 800 ml d'acqua nella cavità di raffreddamento o versare l'acqua fino al segno *max* (come mostrato in figura 8). (Può funzionare anche senza acqua ma non con le migliori prestazioni)

Nota: Assicurarsi che l'interruttore di scarico sia in posizione "Off" e che non ci sia nessun oggetto nella cavità di raffreddamento.

3. Inserire verticalmente il perno contro il sigillante nella parte centrale e superiore del fusto (a volte si avrà bisogno di staccare l'anello di marcatura o di cambiare il sigillante), premere il perno/sollevatore del fusto per conficcare il sigillante e quindi spingere il perno e immergere nel fusto velocemente. Quando si assembla correttamente il meccanismo del rubinetto si sente uno scatto che indicherà il corretto assemblaggio. (Come mostrato in figura 10)

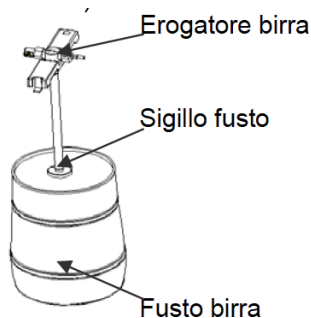


Figura 10

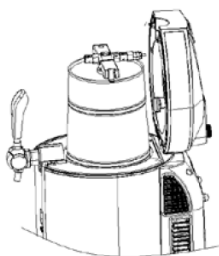


Figura 11

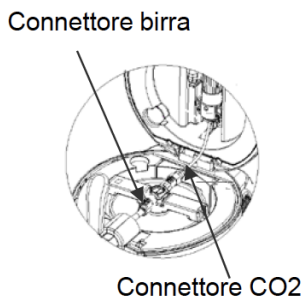


Figura 12

4. Aprire il dispositivo di raffreddamento della birra con forza 60-80N e posizionare il fusto ben assemblato nella cavità di raffreddamento. Collegare il tubo connettore di CO2 e il tubo di scarico della birra con il connettore del tubo del solleva fusto.

NOTE: Assicurarsi che tutte le connessioni del meccanismo del rubinetto siano ben collegate e senza danni. Assicurarsi che la valvola del rubinetto sia chiusa e la manopola di regolazione della pressione di CO2 sia su "Off".

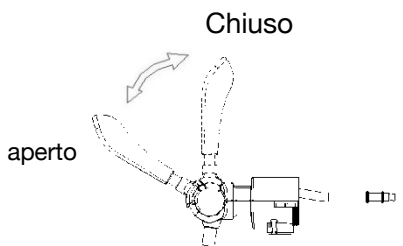


Figura 13

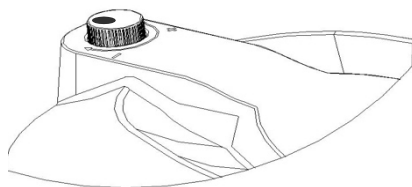


Figura 14

Allentare la guaina della bombola di CO2 (come mostrato in figura 15), inserire una cartuccia da 16 g di CO2 nella guaina (Figura 16), e avvitare la guaina stretta fino a quando si sente un "click" (Figura 17), che indica che la tenuta della cartuccia è stata bucata e che il gas CO2 può fluire nel fusto liberamente. Assicurarsi che la guaina della bombola sia fissata saldamente al fine di evitare la fuoriuscita di CO2. Dopodiché, mettere la guaina della bombola di CO2 nel coperchio superiore.

Avviso :

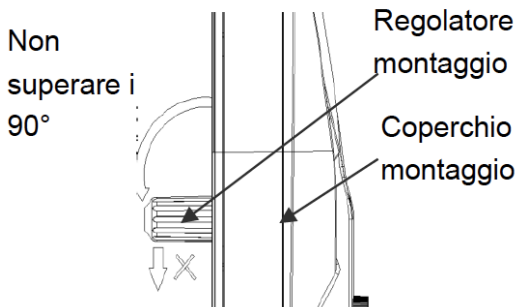


Figura 15

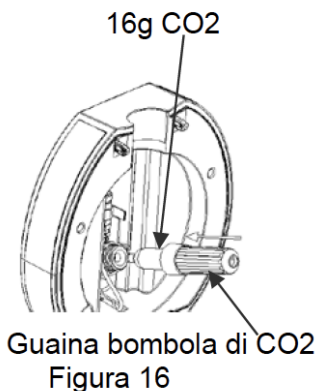


Figura 16

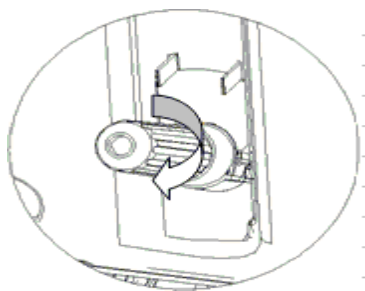


Figura 17

- * Spegnerla la manopola CO2 quando si raffredda la birra.
- * Spegnerla la manopola CO2 quando il flusso di birra è in pausa.
- * Spegnerla la manopola CO2 quando si cambia il dispositivo CO2.
- * Quando la birra non può essere spillata (c'è ancora birra nel barile), o la schiuma della birra non è sufficiente, ruotare la manopola sulla posizione '+' per 5 secondi, quindi spegnerla di nuovo.

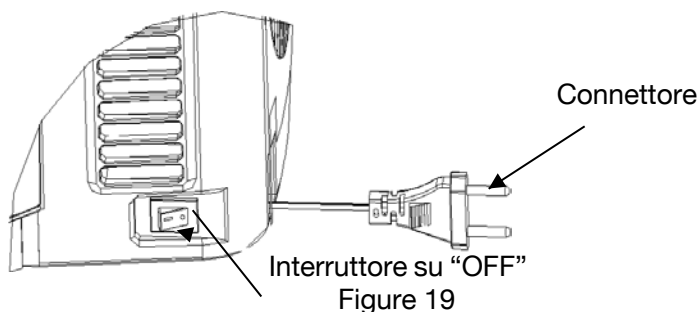
Figura 18

5. Chiudere il coperchio superiore dell'apparecchio. Quando si versa la birra, ruotare la manopola sul coperchio superiore in posizione "+" per rilasciare la CO2, e girarla su "-" quando si sospende o si interrompe di versare la birra per chiudere la CO2. Si prega di fare riferimento all'avvertenza posta sull'etichetta del coperchio superiore.

6. Per accendere l'apparecchio basta impostare l'interruttore di

alimentazione in posizione "I". (Mentre in posizione "0" per spegnerlo).

NOTE: Per evitare scosse elettriche, quando si utilizza l'apparecchio, si prega di assicurarsi che le mani siano asciutte.



7. Ci vorranno 19-21 ore per il raffreddamento della birra a 2-4°C, quando la temperatura ambiente è di 22-24°C. Successivamente, l'apparecchio manterrà la temperatura impostata e visualizzata sullo schermo. Tuttavia, inizialmente, suggeriamo di far raffreddare il fusto di birra per almeno 12 ore in frigorifero prima di inserirlo nell'apparecchio, in particolare quando la temperatura ambiente è superiore a 25°C.

8. È possibile impostare la temperatura a seconda del vostro gusto personale, premendo i pulsanti sul pannello frontale. La temperatura può essere impostata da 36°F a 54°F (2°C a 12°C), utilizzando il pulsante di regolazione della temperatura (+ e -) che si trova sul lato dello schermo della temperatura.

L'apparecchio è dotato di memoria, quando si accende il dispositivo di raffreddamento, si ricorda la temperatura impostata l'ultima volta.

Sul display verrà visualizzata la temperatura reale della birra. Per vedere la temperatura impostata, basta premere il tasto "+" per 1 secondo. 3 secondi più tardi, sul display verrà visualizzata nuovamente la temperatura reale. Temperatura preimpostata

Il dispositivo di raffreddamento della birra ha 6 temperature

preimpostate.

Premere e tenere premuto il pulsante "-" per accedere alle 6 temperature preimpostate, allora si può premere il tasto "-" per scegliere una certa temperatura preimpostata, 40°F (4°C), 46°F (8°C), 48°F (9°C), 50°F (10°C), 52°F (11°C) e 54°F (12°C).

Premendo e tenendo premuto il pulsante "+", l'apparecchio convertirà i gradi Fahrenheit (°F) in Celsius (°C).

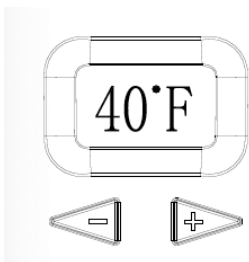


Figura 20

9. Regolare la manopola del regolatore di pressione CO2 in posizione "+", per versare la birra tirando verso il basso il meccanismo del rubinetto a circa 45°. È possibile regolare la manopola del regolatore di pressione per controllare la portata di birra e la schiuma (Figura 13).

Nota: Pulire il bicchiere prima di versare la birra; se la birra o il bicchiere in cui si verserà ha una temperatura elevata o se la birra non è abbastanza fresca, ci sarà molta schiuma.

10. Quando si spilla la birra, appoggiare il bicchiere contro il beccuccio e lentamente raddrizzare con l'avanzare della birra, quindi aprire completamente il meccanismo di rubinetto per evitare molte bolle. Si consiglia di versare mezzo bicchiere, fare una breve pausa e poi continuare a versare.

NOTE: Non immergere il beccuccio nel bicchiere di birra per evitare che ci sia troppa schiuma. Ricordarsi di chiudere il rubinetto dopo aver terminato di versare la birra.

11. È normale che ci siano più bolle quando si versano i primi 3

bicchieri.

12. Ci sarà un getto acuto e ad alta velocità quando si versa l'ultimo bicchiere di birra dal fusto.

Regolare la manopola di regolazione della pressione di CO2 in posizione "-" per chiudere e risparmiare l'erogazione di CO2.

C. Fusti Heineken

I fusti Heineken sono già carichi di CO2, e non richiedono l'uso del regolatore e non è necessario installare la cartuccia di CO2. Inoltre, la manopola sul coperchio superiore non funziona.

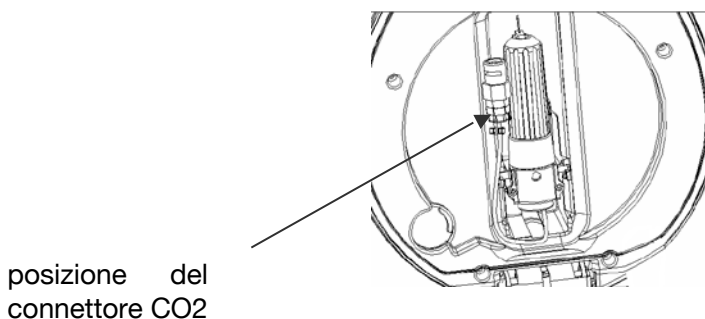


Figura 21

1. Il connettore Heineken fornito con il dispositivo di raffreddamento della birra può lavorare con tutti i fusti Heineken da 5 litri. Tuttavia, è necessario utilizzare un cacciavite a testa piatta per rimuovere la base verde dal fusto per installare il nuovo connettore, fornito con l'apparecchio.

2. Quando si installa il nuovo connettore al fusto Heineken, prima di tutto, è necessario installare il tubo di birra con un'estremità al connettore e l'altra al meccanismo del rubinetto, quindi installare

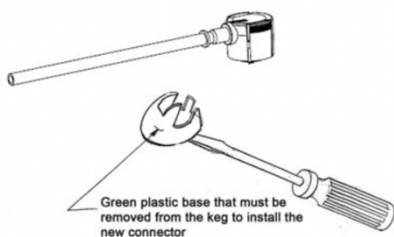


Figura 22

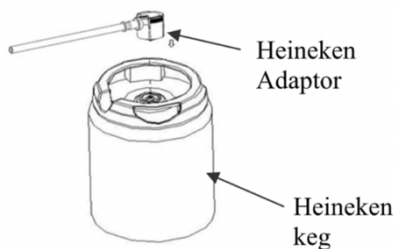


Figura 23

Nota: Si prega di togliere l'adattatore Heineken premendolo seguendo l'indicazione delle frecce, altrimenti potrebbe danneggiare il dispositivo di fissaggio.

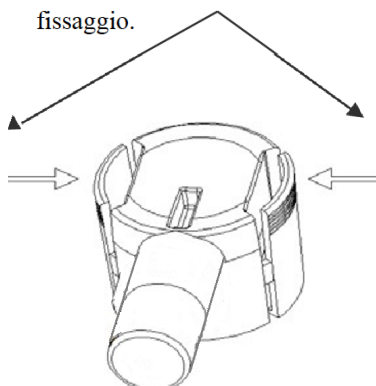


Figura 24

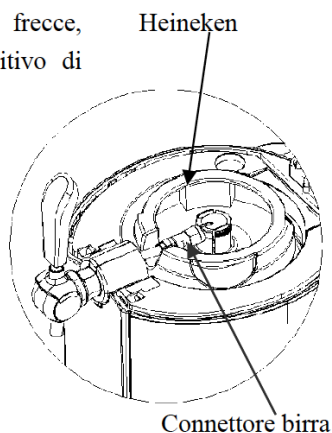


Figura 25

ilconnettore al fusto Heineken

3. Chiudere il coperchio superiore; operare come riportato sopra da passo 6 a 12, come se fosse un fusto universale da 5 litri, solo che il passo 9 è un'eccezione.

D. COME CARICARE UN NUOVO FUSTO (fusto universale da 5 L)

Quando la birra nel fusto si esaurisce, prima di cambiare un nuovo fusto di birra è opportuno:

1. Regolare la manopola di regolazione della pressione CO₂ su "-" per spegnere il flusso di CO₂ risparmiando la cartuccia gas.
2. Aprire il coperchio superiore del dispositivo di raffreddamento della birra, tirare verso il basso la maniglia del rubinetto per rilasciare il gas residuo nel fusto (probabilmente con un po' di schiuma).
3. Quindi mettere il perno di foratura nel nuovo fusto e inserire nell'apparecchio. Collegare il tubo del gas e il tubo della birra dal sollevatore del fusto, premendo le parti bianche.
4. Scollegare il tubo del gas e il tubo della birra dal sollevatore del fusto.
5. Estrarre il fusto dal sollevatore fusto ed estrarre il perno dal fusto.
6. Si consiglia di pulire il meccanismo del rubinetto ogni volta che si cambia il fusto di birra. Si prega di fare riferimento ai contenuti sulla pulizia riportati sotto.

Quando si estrarre la chiusura dell'erogatore di birra, è possibile muoverlo seguendo la direzione della freccia.

È necessario estrarre il dispositivo di fissaggio prima a destra, poi a sinistra come indicato con la freccia. Infine, è possibile estrarre il gruppo erogatore

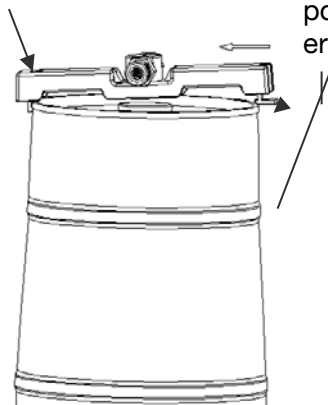
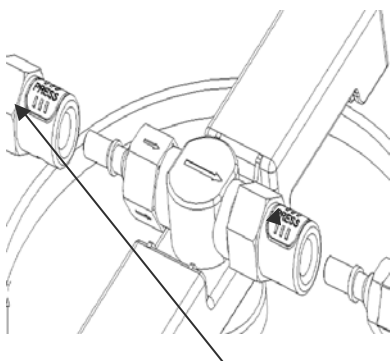


Figura 27



Quando si rimuove il connettore della birra e CO2, si prega di premere il pulsante bianco giù

Figura 26

E. COME CARICARE UNA NUOVA CARTUCCIA DI CO2 (Non necessaria per fusti Heineken)

Si prega di cambiare la cartuccia di CO2, se non è possibile versare la birra quando la manopola di pressione di CO2 è in posizione "on" e c'è ancora birra nel fusto.

1. Ruotare la manopola di pressione della CO2 in posizione "-" per interrompere il flusso di CO2.

2. Aprire il coperchio superiore, perdere la guaina della cartuccia, ed estrarre la cartuccia di CO2 vuota.

Inserire una nuova cartuccia di CO2 da 16g nel supporto e avvitare la guaina stretta fino a quando si sente un "click", che indica che il sigillo della cartuccia è stato perforato e il gas CO2 può fluire liberamente nel fusto. Assicurarsi che la guaina della bombola sia fissata saldamente al fine di evitare la fuoriuscita di CO2. Dopodiché, mettere la guaina della bombola di CO2 nel coperchio superiore.

3. Chiudere il coperchio superiore dell'apparecchio.

4. Ruotare la manopola di pressione di CO2 in posizione "+" per attivare il flusso di CO2; a questo punto l'apparecchio è pronto per versare la birra.

Promemoria: ogni cartuccia di CO2 da 16 g può essere utilizzata per stillare più di 5L birra.

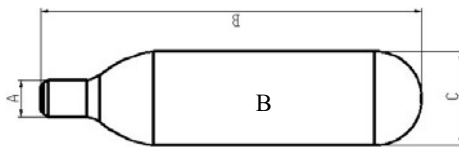
Avvertenza:

1. Si prega di utilizzare cartucce di CO2 adeguate; non giocare con le cartucce poiché potrebbe causare pericoli.

Sotto, sono riportate le informazioni necessarie per conoscere il tipo di cartuccia di CO2 da utilizzare. Non utilizzare mai cartucce di azoto con questo apparecchio per evitare esplosioni a causa della sua pressione molto più elevata di quanto dovrebbe essere.

1. Le nuove cartucce di CO2 hanno bisogno di essere conservate con cautela; giocarci con esse è vietato poiché potrebbe procurare rischi.

Cartuccia di CO2 da 16 g



NW g	Volume ml	GW g	Peso cartuccia g	A mm	B mm	C mm	D mm	Pressione Kgf/cm2	Pressione gett o bar
15.5 16.5	20	57.0 58.6	42.0 42.6	Ø8.6 Ø8.9	88.0 89.0	Ø21.7 Ø22.0	10 1 1	60	450

F. COME SOSTITUIRE L'ACQUA ALL'INTERNO DELLA CAVITÀ DI RAFFREDDAMENTO

Si consiglia di sostituire l'acqua all'interno della cavità una volta alla settimana. (Non è necessario sostituire l'acqua per ogni fusto di birra, è consigliabile una volta alla settimana)

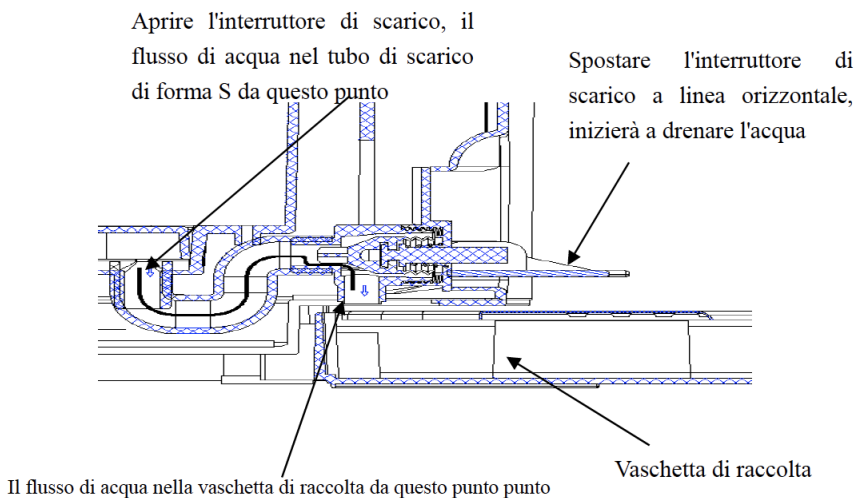


Figura 28 (quadro illustrativo del circuito di scarico)

1. Aprire l'interruttore di scarico per drenare l'acqua dalla cavità della vaschetta di raccolta. Assicurarsi che la vaschetta di raccolta sia inserita correttamente nella fessura per evitare che il flusso dell'acqua vada sul tavolo. La vaschetta di raccolta è in grado di raccogliere 450 ml d'acqua.

2. Dopo che tutta l'acqua è defluita, chiudere l'interruttore di scarico e mettere 800 ml di acqua fresca nella cavità.

3. Aprire l'interruttore di scarico (trascinare l'interruttore in avanti con un angolo di 90 gradi), e drenare l'acqua all'interno della cavità nella vaschetta di raccolta. Sarà necessario drenare l'acqua due volte.

Avvertenza:

1) È necessaria dell'acqua pulita;

2) Assicurarsi che la vaschetta di raccolta sia inserita correttamente nella fessura per evitare che il flusso dell'acqua vada sul tavolo.

3) La vaschetta di raccolta è in grado di raccogliere 450ml d'acqua.

MECCANISMO DI PULIZIA DEL RUBINETTO

Questo apparecchio è conforme alle regole di igiene, è necessario quindi pulirlo prima di utilizzarlo per la prima volta e dopo un lungo periodo di inattività, pulire tutta la macchina con un panno asciutto. In caso contrario, eseguire le operazioni di pulizia nel seguente modo:

1. Caricare dell'acqua calda nel kit di pulizia.

2. Collegare l'estremità del perno perforante, far scorrere l'acqua nel perno per pulire il tubo del perno, e spingere l'acqua fuori dal tubo della birra all'estremità opposta. Ripetere queste operazioni di pulizia fino a quando il tubo della birra sarà pulito (saranno necessarie almeno 3 bottiglie di acqua calda), si prega di pulire il meccanismo del rubinetto della birra come mostrato in figura 30. Nota: Si prega di smontare il rubinetto quando si effettuano le operazioni di pulizia. (Come mostrato in figura 29)

Connettore birra deve collegarsi con l'unità di erogazione

unità di dosaggio

Si prega di aprire il rubinetto quando si pulisce il tubo della birra

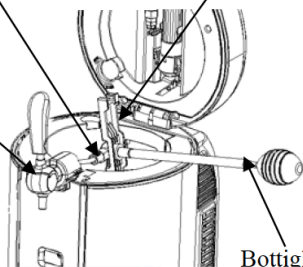


Figura 29

Bottiglia di pulizia

Questo connettore deve collegarsi con la bottiglia di pulizia

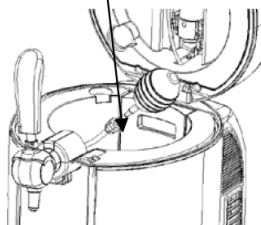


Figura 30









Avvertenza:

Non mettere mai le parti del meccanismo del rubinetto in lavatrice o in lavastoviglie;

Non usare mai detergenti chimici per la pulizia delle parti, si consiglia di utilizzare acqua calda o purificata.

COME CAMBIARE PEZZI DI RICAMBIO

ACCESSORI INCLUSI CON L'APPARECCHIO

Art.	Nome	Qtà.	Installazione	Figura	Pezzi di ricambio
1	guarnizione connettore	3	valvola di regolazione		2pz
2	connettore e CO2	2	valvola di regolazione		1pz
3	tubo della birra	2	connettore uscita birra		2pz
4	cerchio di sigillo del tubo	4	tubo della birra in entrata		3pz
5	sigillo fusto	2	fusto standard		2pz
6	adattatore Heineken	3	Fusto Heineken		3pz
7	cartuccia di CO2	3	gruppo valvola regolatrice		3pz
8	Pompa di pulizia	1			1pz

A. Sostituire il connettore CO2 e la rondella di tenuta

Il connettore di CO2 e la rondella di tenuta si possono danneggiare quando si utilizzano in modo errato o per altri motivi diversi da quelli previsti, in tal caso, si prega di sostituirli con dei nuovi.

1. Prima di tutto, scegliere la rondella di tenuta con un bastone di metallo molto piccolo (come mostrato in figura 31) ed estrarre il connettore CO2 (se si deve sostituire solo la rondella di tenuta, questa operazione può essere tralasciata). Fare attenzione a non danneggiare le altre parti del regolatore.

2. Installare un nuovo connettore di CO2 nel regolatore (lasciare la punta verso l'esterno) e installare la rondella di tenuta (come mostrato in figura 32). Durante la sostituzione, non rimuovere le altre parti del regolatore.

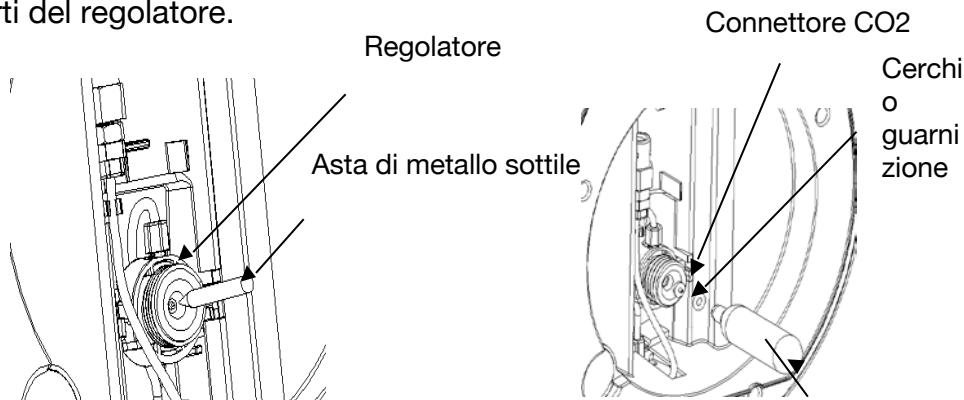


Figura 31

Figura 32

Avvertenza: Ricordarsi premere il cerchio sigillo con cartuccia vuota invece di una nuova cartuccia, o causerà pericolo.

B. PER CAMBIARE IL TUBO DELLA BIRRA (come visualizzato in figura 33)

Si prega di sostituire il tubo della birra nel caso sia danneggiato e ci sia una perdita.

1. Abbassare il bloccaggio del tubo della birra ed estrarre il tubo.
2. Svitare il dado giunto del tubo ed estrarlo.
3. Sostituire con un nuovo tubo e installarlo eseguendo le operazioni al contrario.

NOTA: Non toccare le altre viti durante la sostituzione del tubo, in caso contrario si potrebbe causare delle perdite di birra o gas.

- 1) Girare il rubinetto per lo stato di rilascio, e quindi aprire il coperchio per eliminare tubo di silicone.
- 2) Sostituire un nuovo tubo di birra in silicone, e installarlo secondo con procedura inversa.

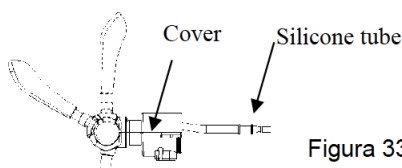


Figura 33 [cover=coperchio] [tubo di silicone]

C. Sostituire il cerchio di tenuta del tubo della birra (come mostrato in figura 34)

Se il connettore presenta perdite, sostituire il cerchio di tenuta del tubo della birra con uno nuovo.

1. Ruotare il tubo della birra come indicato nella figura sotto
2. Estrarre il cerchio di tenuta del tubo della birra
3. Sostituire il cerchio con uno nuovo nella stessa posizione
4. Ruotare il cerchio di tenuta strettamente per evitare perdite

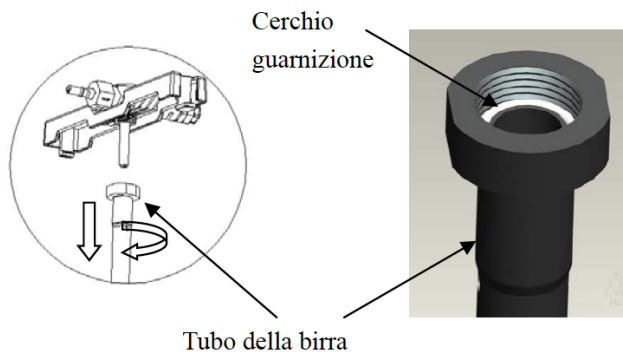


Figura 34

MANUTENZIONE

Se l'apparecchio non funziona correttamente, si prega di chiamare il centro assistenza;

Prima di rivolgersi all'assistenza tecnica, controllare la sezione "Risoluzione dei problemi" qui sotto poiché sono indicate le possibili cause e i problemi di funzionamento minori che possono essere riparate anche dall'utente.

Risoluzione dei problem

Problema	Causa	Risoluzione dei problemi
Il rubinetto non funziona/non si riesce a versare la birra	<ol style="list-style-type: none">1. Il tubo di colata è collegato scorrettamente o il flusso di CO2 è spento;2. Nessun fusto o niente birra nel fusto;3. Non c'è gas nella cartuccia di CO2;4. La manopola di regolazione della pressione di CO2 è chiusa.	<ol style="list-style-type: none">1. Collegare bene il tubo di colata e accendere il flusso di CO22. Inserire un nuovo fusto3. Inserire una nuova cartuccia di CO24. Ruotare la manopola del regolatore di pressione di CO2 in posizione "+"
Troppa schiuma	<ol style="list-style-type: none">1. Si sta spillando la birra in modo errato;2. La temperatura della birra è alta (meglio a 3-5°C)3. Il fusto è stato agitato prima dell'uso;4. Nel fusto è rimasta pochissima birra;5. C'è troppa pressione nel fusto.	<ol style="list-style-type: none">1. Spillare la birra in modo corretto;2. Lasciar raffreddare la birra fino a raggiungere 3-5°C;3. Togliere il fusto dall'apparecchio e farlo riposare un po' fino a quando non ci sarà più schiuma;4. Inserire un nuovo fusto5. Regolare la manopola della pressione di direzione "-" per diminuire la pressione o chiudere la manopola.
La birra scorre troppo lentamente	<ol style="list-style-type: none">1. La pressione interna di CO2 non è sufficientemente alta;2. Il tubo di collegamento o il tubo di colata hanno perdite.	<ol style="list-style-type: none">1. Regolare la manopola della pressione per rilasciare più pressione CO2 o sostituire la cartuccia.2. Controllare se il tubo presenta perdite o meno, in caso affermativo, sostituire il tubo.

GARANZIA

Il periodo di garanzia per i nostri prodotti è di 2 anni, se non diversamente stabilito dalla legge, a partire dalla data di acquisto iniziale o di consegna.

Se avete problemi o domande, potete facilmente accedere alle nostre pagine di aiuto, consigli per la risoluzione dei problemi, FAQ e manuali d'uso sul nostro sito post-vendita: <https://sav.hkoenig.com>.

Digitando il nome di riferimento del tuo dispositivo nella barra di ricerca, puoi accedere a tutto il supporto online disponibile, progettato per soddisfare al meglio le tue esigenze.

Se ancora non riesci a trovare una risposta alla tua domanda o al tuo problema, allora clicca su "La risposta ha risolto il tuo problema? Questo vi porterà al modulo di richiesta di supporto post-vendita, che potete completare per convalidare la vostra richiesta e ottenere aiuto.

CONDIZIONI DI GARANZIA

La garanzia copre tutti i guasti derivanti da un uso normale, in conformità con gli usi e le specifiche del manuale utente.

Questa garanzia non si applica a problemi di imballaggio o di trasporto durante la spedizione del prodotto da parte del proprietario. Non include inoltre la normale usura del prodotto, né la manutenzione o la sostituzione delle parti di consumo.

ESCLUSIONE DELLA GARANZIA

- Accessori e parti soggette a usura (*).
- Normale manutenzione dell'apparecchio.
- Tutti i guasti derivanti da un uso improprio (urti, mancato rispetto delle raccomandazioni sull'alimentazione, cattive condizioni d'uso, ecc.), da una manutenzione inadeguata o da un uso improprio dell'apparecchio, nonché dall'uso di accessori inadeguati.
- Danni di origine esterna: incendio, danni d'acqua, sovratensione elettrica, ecc.

- Qualsiasi attrezzatura che sia stata smontata, anche parzialmente, da persone diverse da quelle autorizzate a farlo (in particolare l'utente).
- Prodotti per i quali il numero di serie è mancante, danneggiato o illeggibile, il che non permetterebbe la sua identificazione.
- Prodotti soggetti a noleggio, dimostrazione o esposizione.

(*) Alcune parti del suo apparecchio, note come parti soggette a usura o materiali di consumo, si deteriorano con il tempo e la frequenza d'uso del suo apparecchio. Questa usura è normale, ma può essere accentuata da cattive condizioni d'uso o di manutenzione del vostro apparecchio. Queste parti non sono quindi coperte dalla garanzia.

Anche gli accessori forniti con l'apparecchio sono esclusi dalla garanzia. Non possono essere scambiati o rimborsati. Tuttavia, alcuni accessori possono essere acquistati direttamente dal nostro sito web: <https://sav.hkoenig.com/>.

AMBIANTE

ATTENZIONE :



Non gettare questo apparecchio tra i rifiuti domestici. Per questo tipo di prodotti è fornito dai comuni un sistema di raccolta e ritiro in zona ed è quindi un dovere informarsi per conoscere il giusto smistamento del rifiuto. Infatti, i prodotti elettrici ed elettronici possono contenere sostanze pericolose che hanno effetti dannosi sull'ambiente o sulla nostra salute e quindi devono essere riciclati. Il simbolo al lato indica che le apparecchiature elettriche ed elettroniche fanno parte di una raccolta selettiva e differenziata (rappresentata da un bidone su due ruote sbarrato da una croce).



Points de collecte sur www.quefairedemesdechets.fr
Privilégiez la réparation ou le don de votre appareil !